



INSTALLATION INSTRUCTIONS

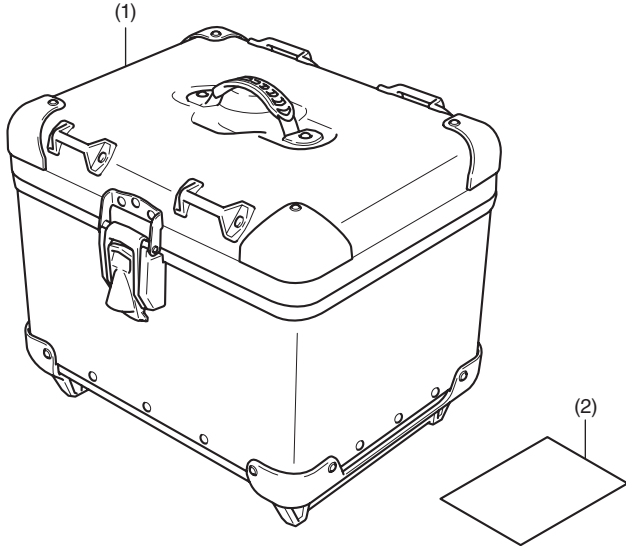
Accessory	Application	Publication No.
TOP BOX P/N 08L78-MKK-D00	CRF1000A/D	MII
		Issue Date
		December 2017

Accessory	Application	Publication No.
TOP BOX P/N 08L78-MKK-D00	CRF1000A/D	MII
		Issue Date
		December 2017

Accessory	Application	Publication No.
TOP BOX P/N 08L78-MKK-D00	CRF1000A/D	MII
		Issue Date
		December 2017

Honda Dealer: Please give a copy of these instructions to your customer.

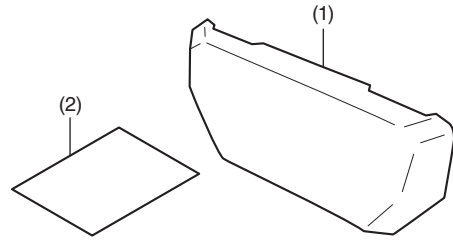
PARTS LIST



No.	Description	Qty
(1)	Top box	1
(2)	URL paper	1

BACKREST

Sold separately

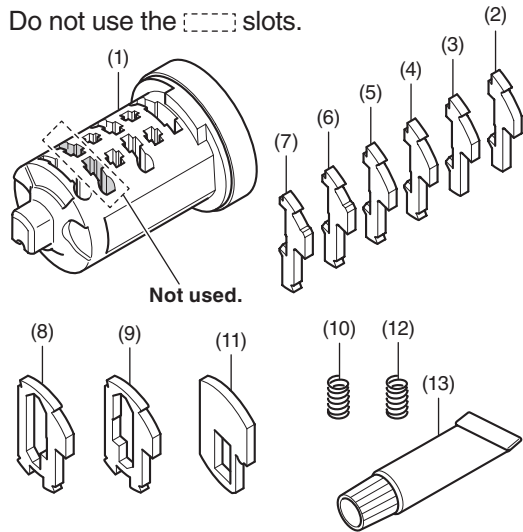


No.	Description	Qty
(1)	Backrest	1
(2)	URL paper	1

1 KEY INNER CYLINDER (Wave key type)

Sold separately

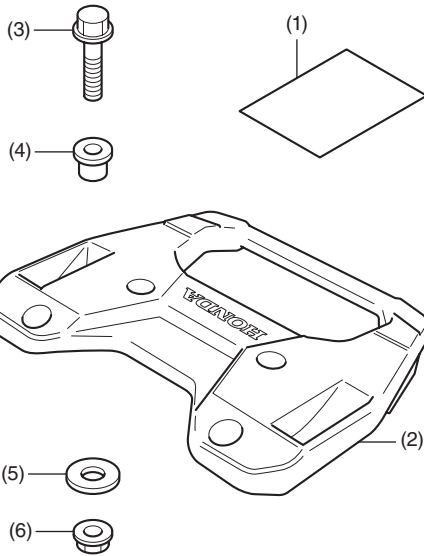
- Do not use the [dashed] slots.



No.	Description	Qty
(1)	Inner cylinder	1
(2)	No.1 tumbler	6
(3)	No.2 tumbler	6
(4)	No.3 tumbler	6
(5)	No.4 tumbler	6
(6)	No.5 tumbler	6
(7)	No.6 tumbler	6
(8)	Sub-lock tumbler A	1
(9)	Sub-lock tumbler B	1
(10)	Spring (Silver)	13
(11)	Stopper tumbler	2
(12)	Stopper spring (Black)	2
(13)	Grease	1

CARRIER BRACKET

Sold separately



For the installation, refer to the Installation Instructions.

No.	Description	Qty
(1)	URL paper	1
(2)	Carrier base	1
(3)	8 mm flange bolt	4
(4)	Flange collar	8
(5)	Washer	4
(6)	8 mm flange nut	4

SUPPLIES REQUIRED

Isopropyl alcohol
Shop towel

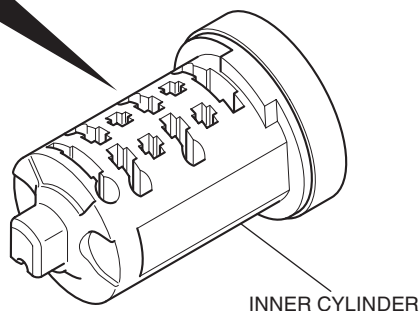
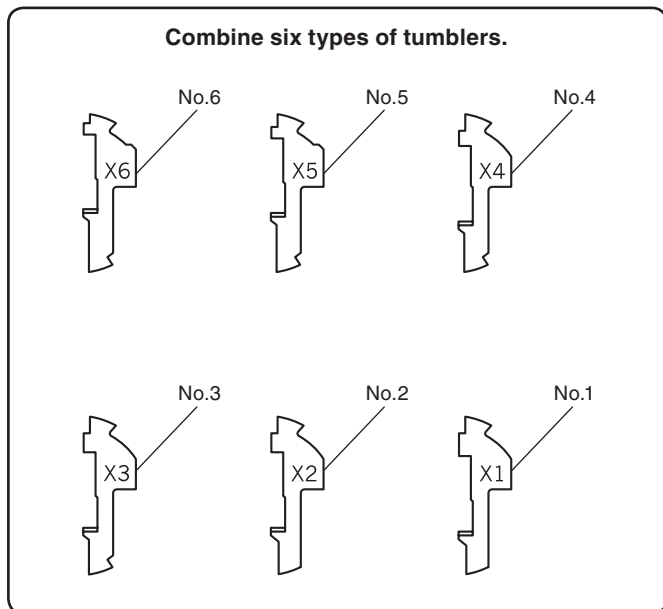
MAXIMUM LOADING CAPACITY

- The weight of the cargo must not exceed the following maximum loading capacity:


Maximum Loading Capacity	
Top box	6.0 kg (13.2 lb)

< Notes regarding the key cylinder >

- This product is used to assemble a key cylinder matching the motorcycle key by combining six types of tumblers.
- When this key cylinder is installed in a box or similar equipment, the installed equipment can be operated with the motorcycle key.

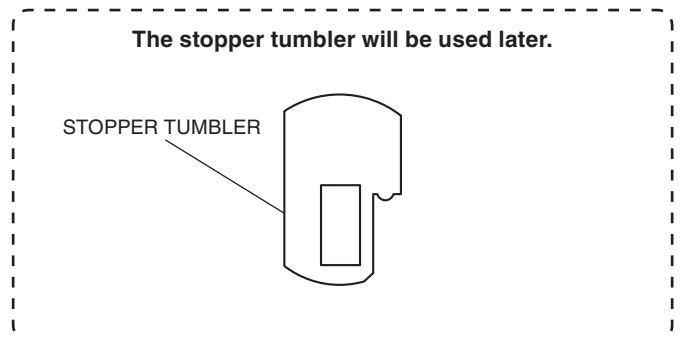
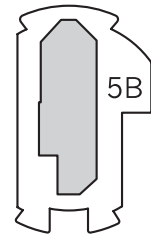
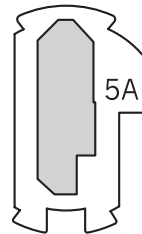



INSTALLATION

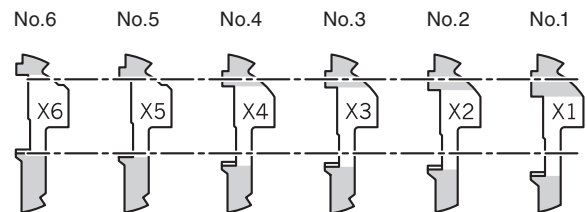
- The two sub-lock tumbler types shown are provided.
 - The  part has a different slot for each of the two sub-lock tumbler types.
 - As the tumblers are small, keep them in the bag until they are used.

SUB-LOCK TUMBLER A

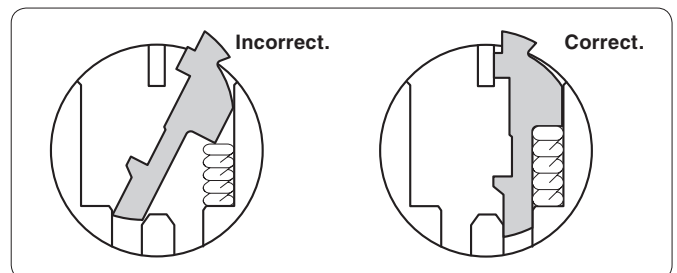
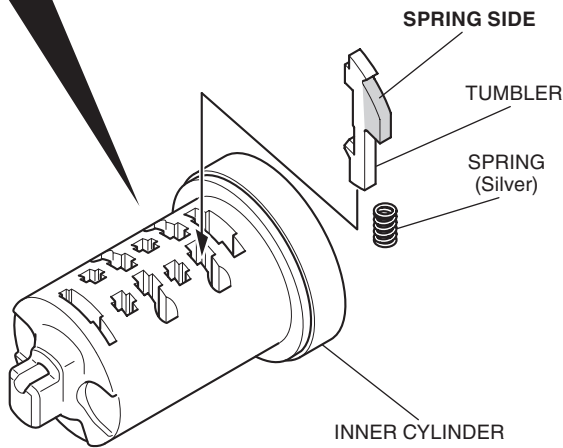
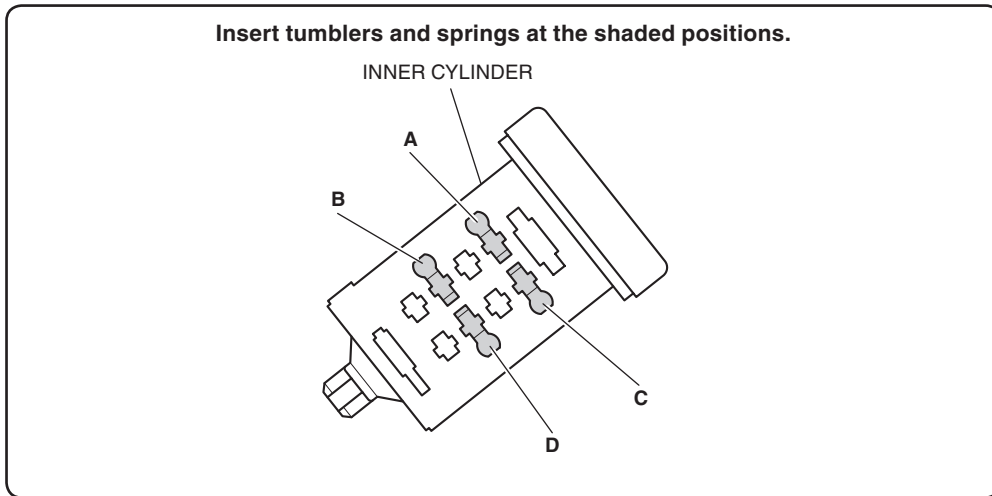
SUB-LOCK TUMBLER B



- The six tumbler types shown are provided.
 - The  part has a different width for each of the six tumbler types.
 - As the tumblers are small, keep them in the bag until they are used.

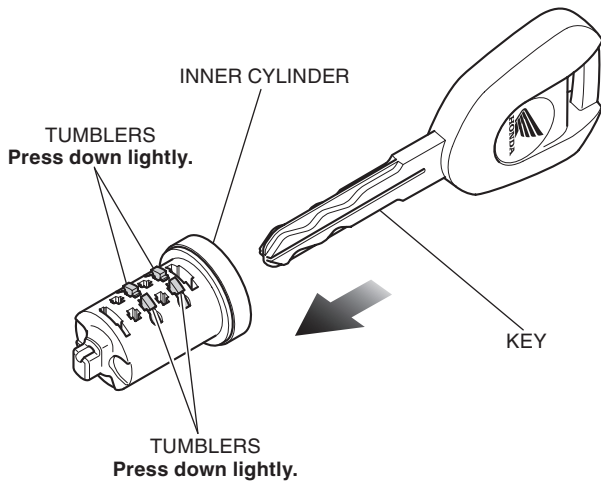


3. Install the tumblers and springs (silver) as shown.
- **First install four No.1 tumblers.**
 - **Note the installed tumbler to below chart.**

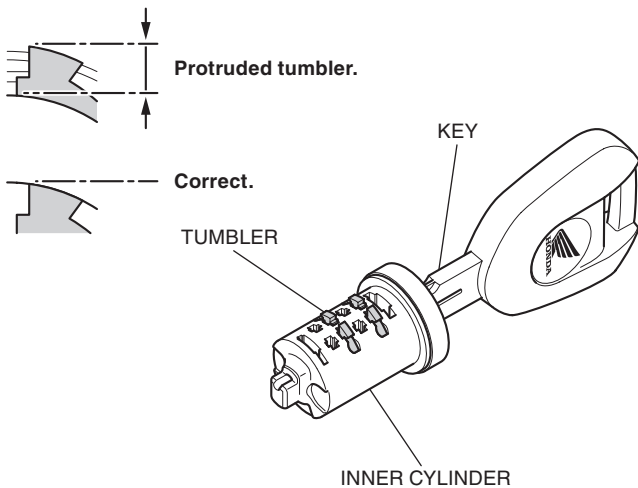


	Position A	Position B	Position C	Position D
No.1 tumbler				
No.2 tumbler				
No.3 tumbler				
No.4 tumbler				
No.5 tumbler				
No.6 tumbler				

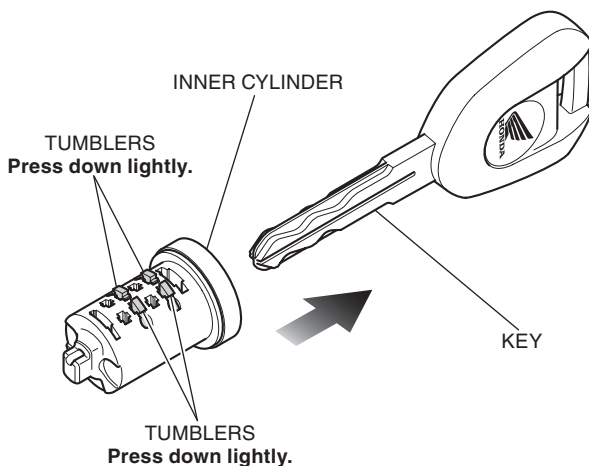
4. Insert the key as shown.
 - **Lightly press down on the tumblers from above, then insert the key.**



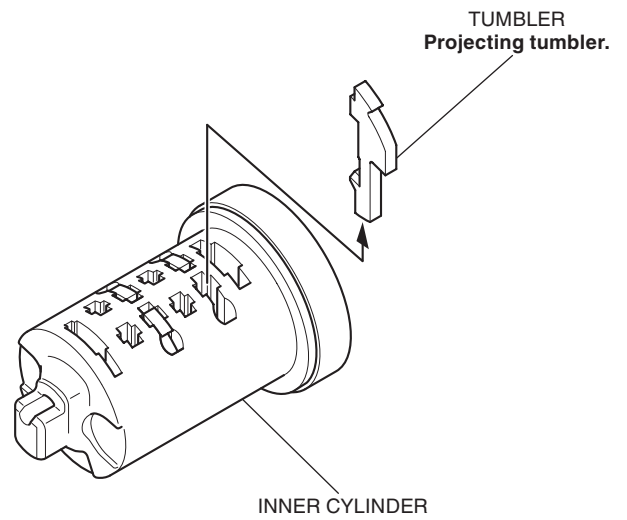
5. Confirm that some tumblers are projecting. Mark the positions of the projected tumblers.
 - **The positions where tumblers project and the projecting height differ according to the key.**



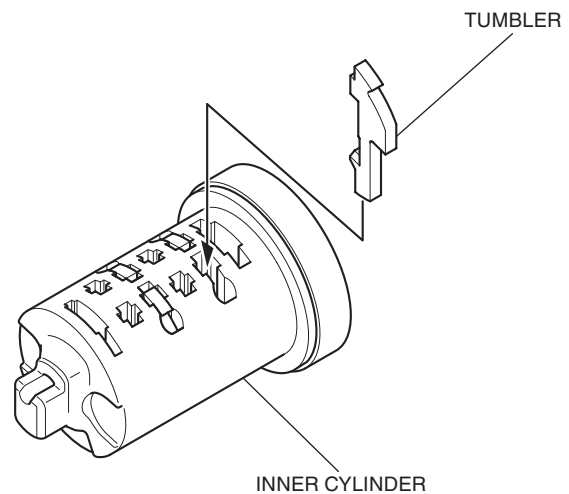
6. Press down lightly on the tumbler, pull the key out.
 - **The tumbler spring may jump out when the tumbler is not pressed down lightly.**



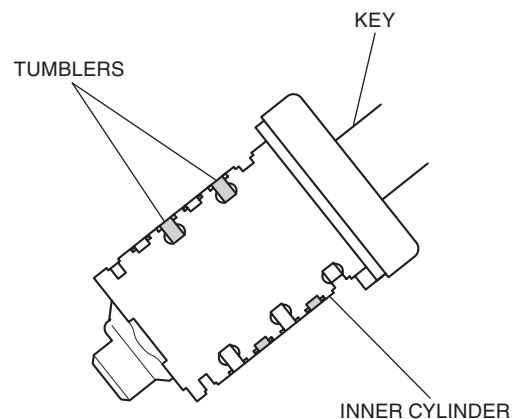
7. Pull out the projecting tumbler(s).
 - **Leave the spring(s) installed.**



8. Insert a different tumbler(s) at the marked positions.
 - **Use a tumbler of next number one stage.**

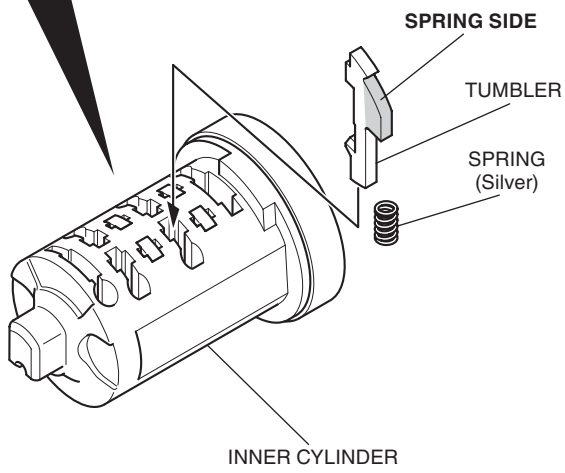
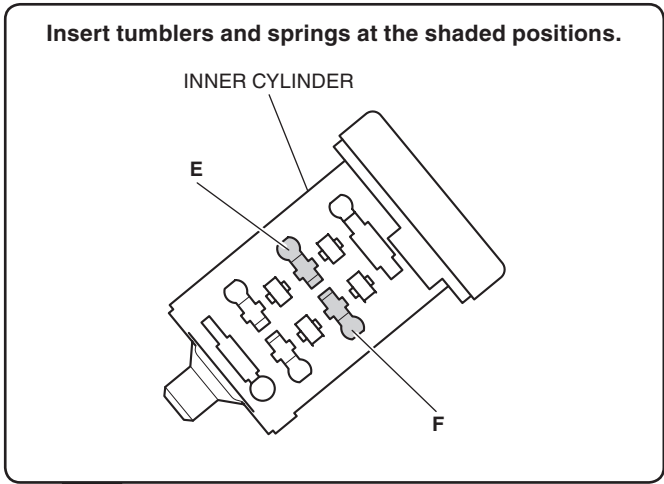


9. Repeat steps 4 to 8, inserting different tumblers at the marked positions until no tumblers are projected.
 - **Lightly press down on the tumblers from above, then insert the key.**



10. Install the tumblers and springs (silver) to the reverse side inner cylinder as shown.

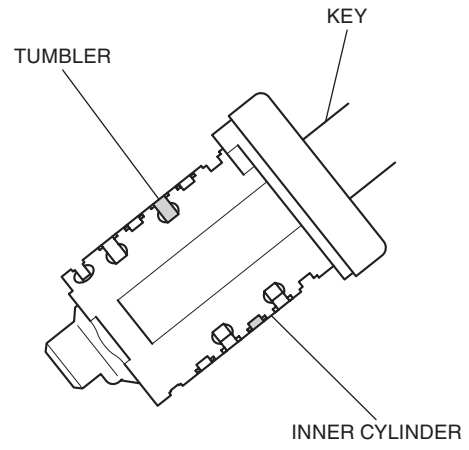
- First install two No.1 tumblers.



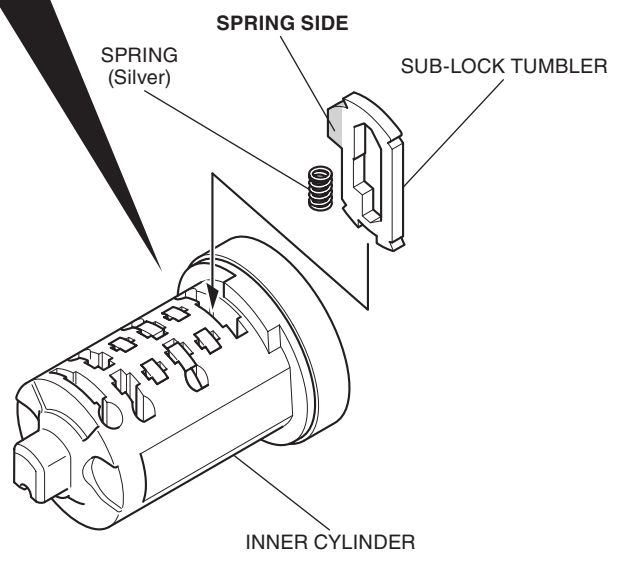
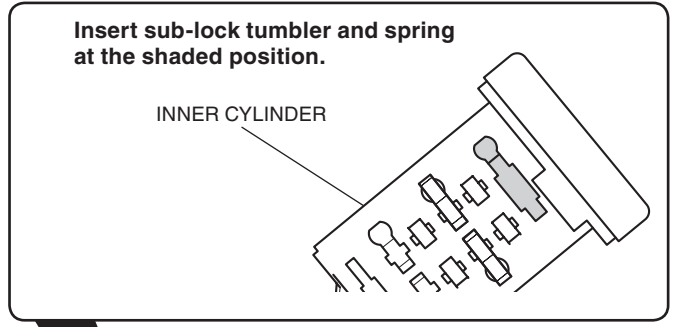
- Note the installed tumbler to below chart.

	Position E	Position F
No.1 tumbler		
No.2 tumbler		
No.3 tumbler		
No.4 tumbler		
No.5 tumbler		
No.6 tumbler		

11. Use steps 4 through 8 to assemble the reverse side inner cylinder in the same manner.



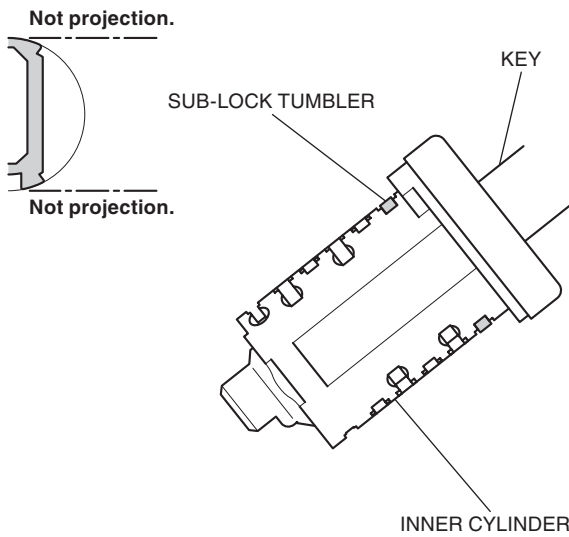
12. Install the sub-lock tumbler as shown.



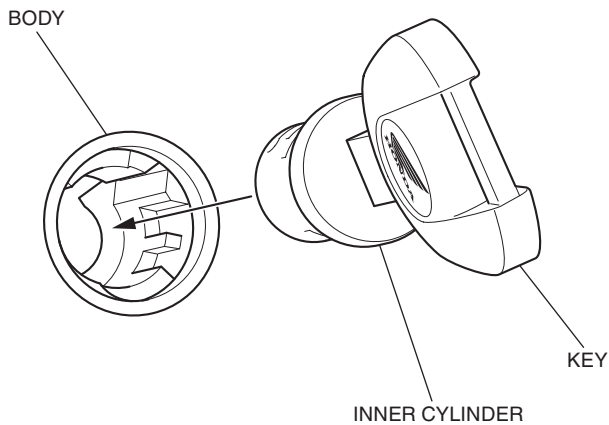
- Note the installed tumbler to below chart.

Sub-lock tumbler A	
Sub-lock tumbler B	

13. Confirm that sub-lock tumbler is not projecting.
- **If the tumbler is projected, change the another sub-lock tumbler and recheck.**

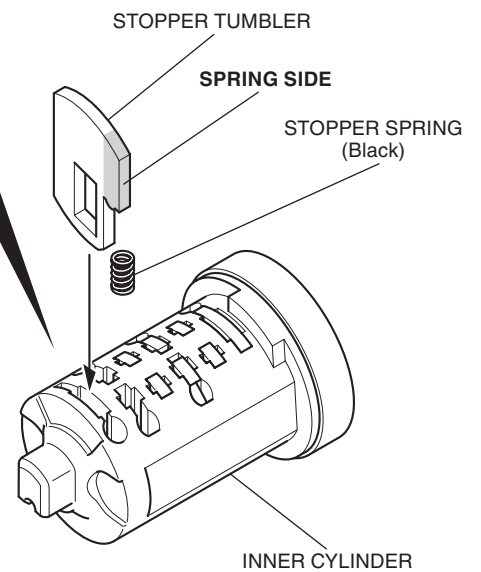
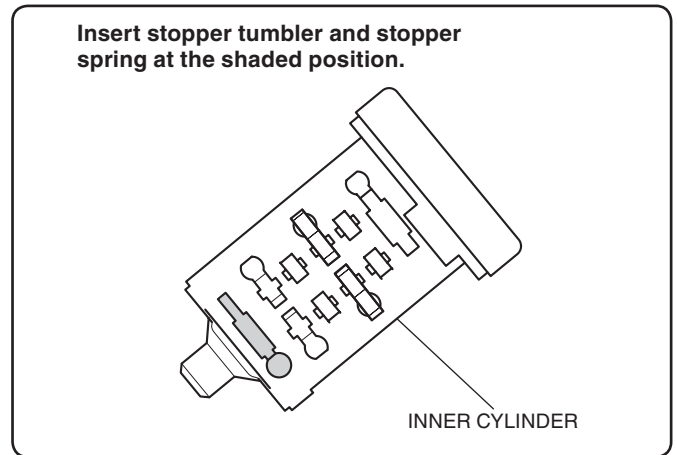


14. Insert the assembled inner cylinder into the body as shown.
- **Confirm the inner cylinder turns clockwise smoothly.**

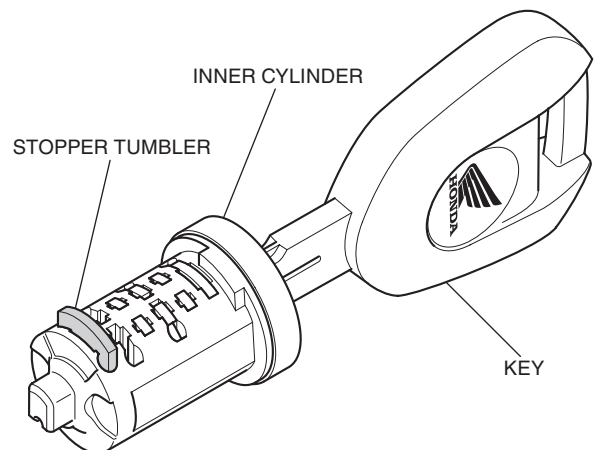


15. Pull out the inner cylinder.
16. Press down lightly on the tumblers and pull out the key.

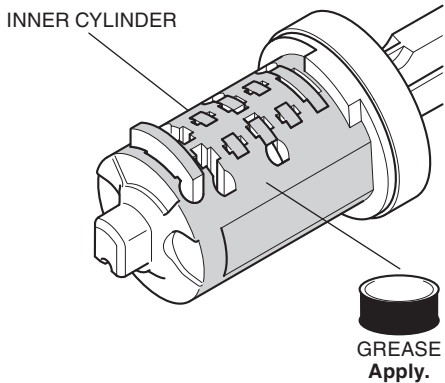
17. Install the stopper tumbler and stopper spring (black) as shown.



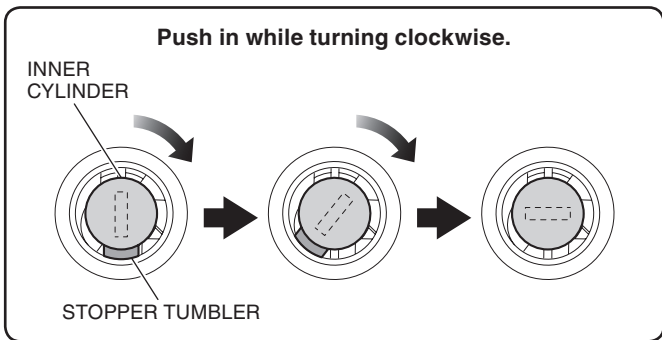
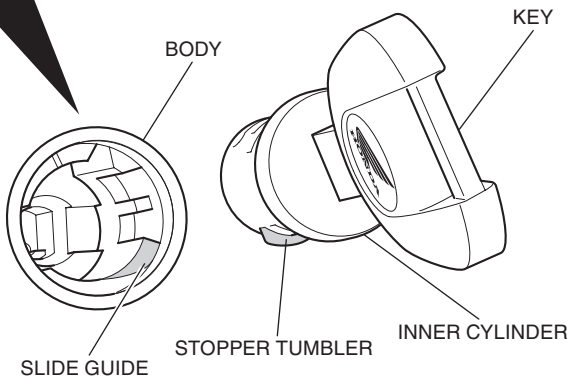
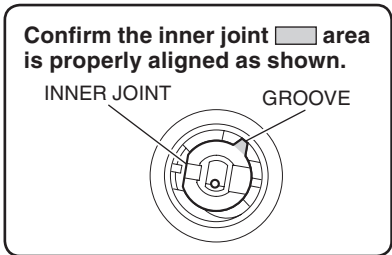
18. Insert the key as shown.
- **Lightly press down on the tumblers from above, then insert the key.**
 - **Confirm that the stopper tumbler jumps out.**



19. Apply grease to the shaded areas as shown.
- **Apply to the tumbler and to the outer circumference of the inner cylinder.**
 - **Only use the supplied grease.**



20. Install the inner cylinder by sliding the stopper tumbler along the slide guide while rotating it.
- **If the inner cylinder cannot be inserted, again confirm that no tumblers other than the stopper tumbler have jumped out.**



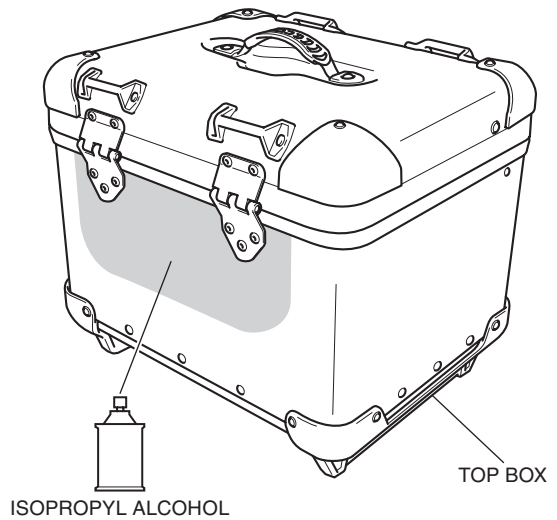
21. Draw out the key and check that the inner cylinder does not come out.
22. Install the inner cylinder to other body in the same manner.

How to Install the Backrest

NOTE:

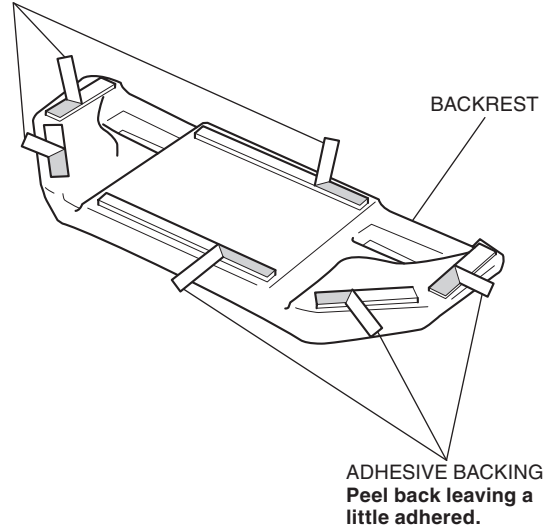
- Heat the bonding surfaces with a hair dryer if the ambient air temperature is below 70°F (21°C).
- The adhesive reaches full strength in 72 hours. Wait at least 24 hours before riding your motorcycle.

1. Clean the surface of the area shown using an isopropyl alcohol.

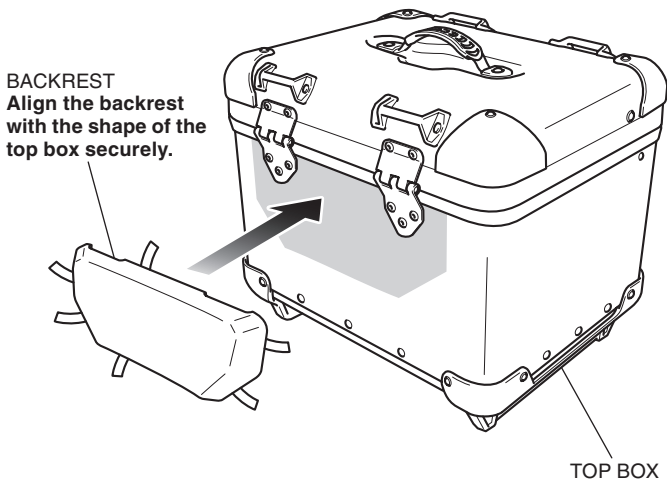


2. Peel back the adhesive backings on the backrest.

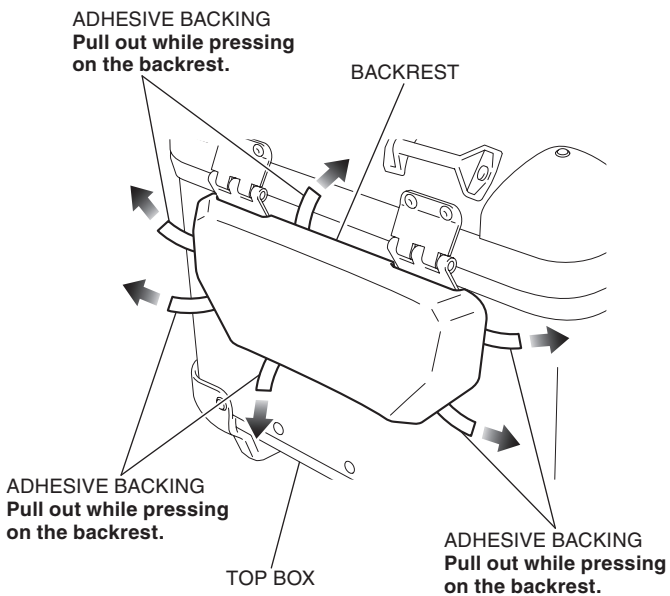
ADHESIVE BACKING
Peel back leaving a little adhered.



3. Install the backrest as shown.



4. Pressing the backrest with your palm, remove the adhesive backings from the inner side of the backrest and attach the backrest securely.



5. Apply adequate pressure to the attached backrest.

FOR USE OF THE TOP BOX

▲ CAUTION

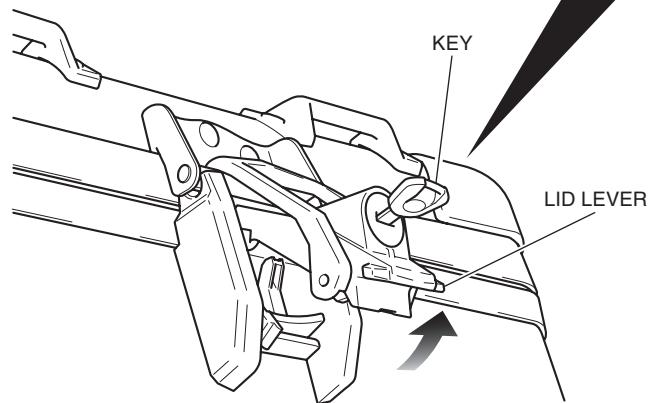
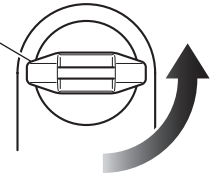
- To prevent burns, allow the engine, exhaust system, radiator, etc., to cool before installing and removing the accessory.

How to Open the Top box

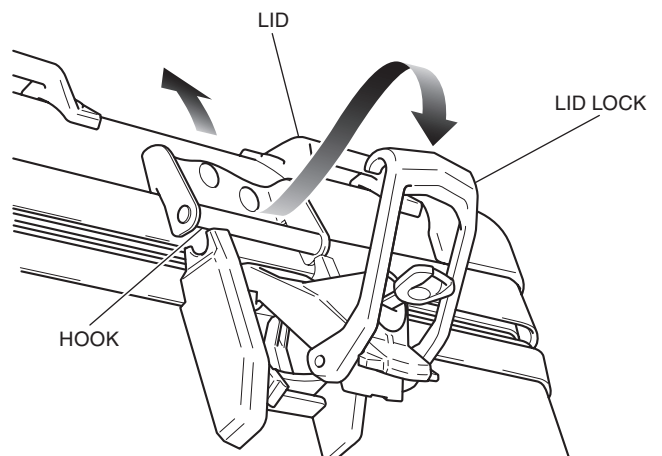
1. Pull the lid lever up as shown.

Insert the key and release the lock by turning the key counter-clockwise.

KEY
Open.



2. Release the lid lock from hook as shown and open the lid.



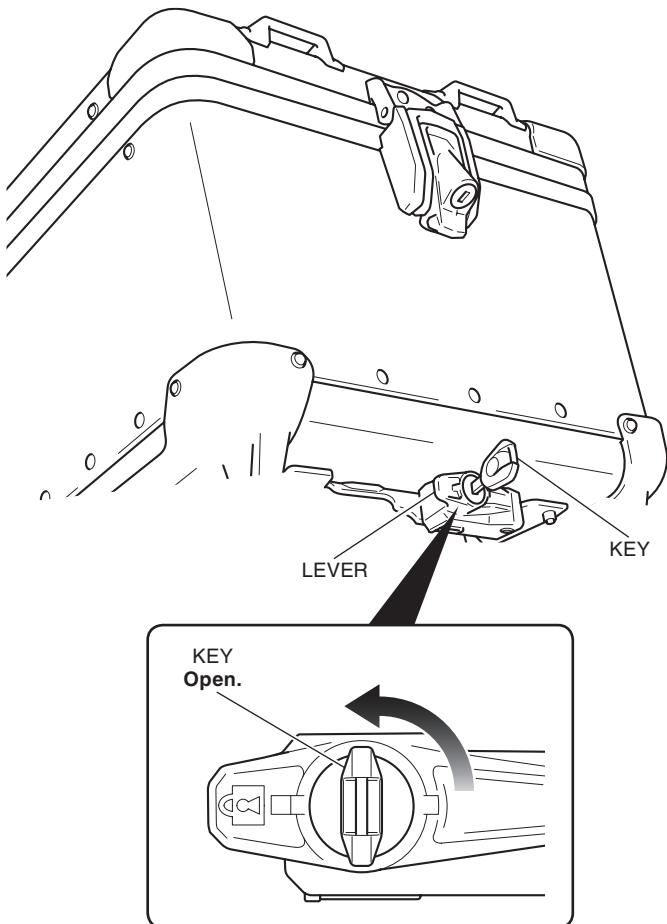
How to Close the Top box

1. Close and lock the top box in the reverse order of opening.

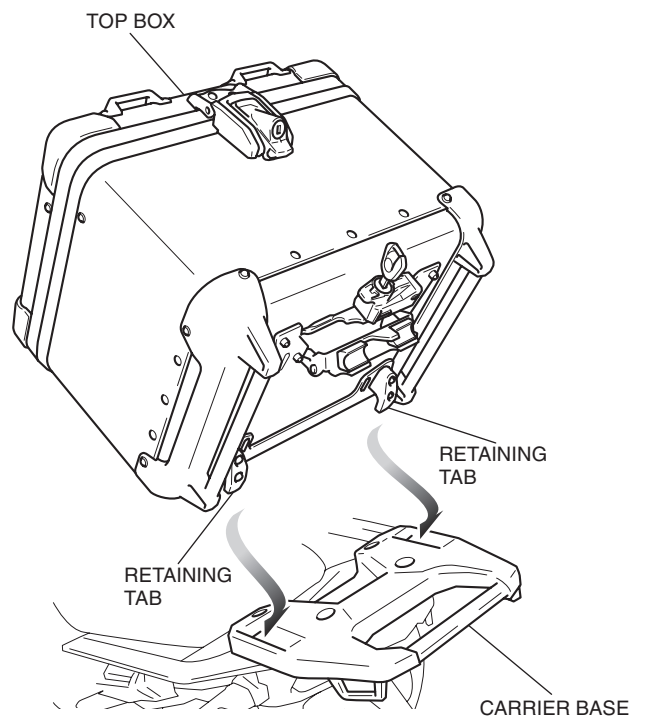
How to Install the Top box

NOTE:

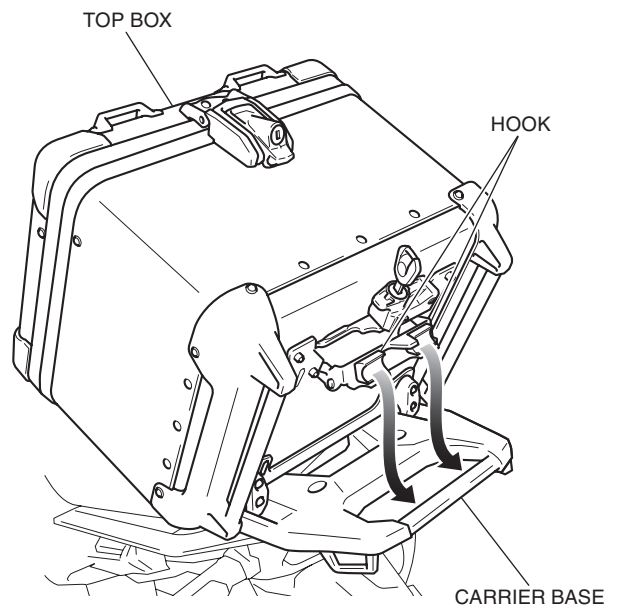
- The Carrier bracket is required for installation of this accessory.
1. Install the separately sold carrier bracket.
 2. Insert the key as shown and release the lock by turning the key counter-clockwise.



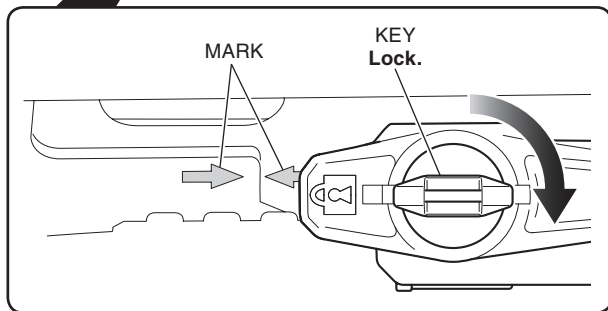
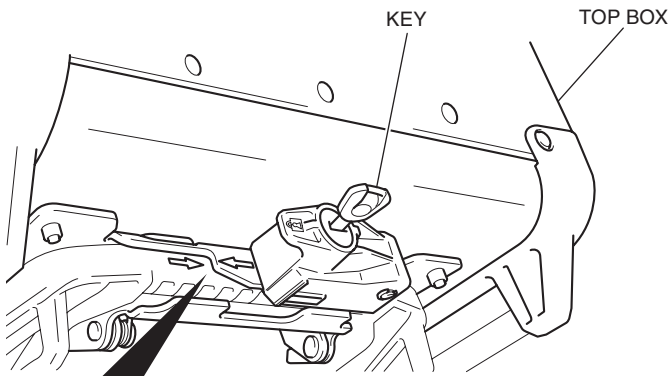
3. Insert the retaining tabs of the top box into the carrier base as shown.



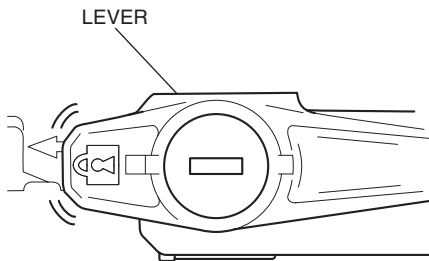
4. Position the hook on the carrier base as shown.



5. Check the align with the mark, and lock with the key.



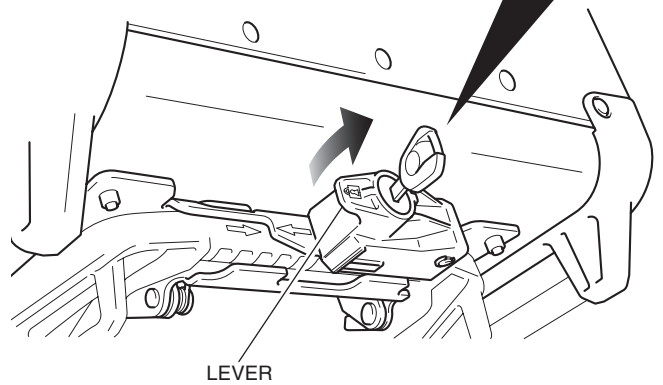
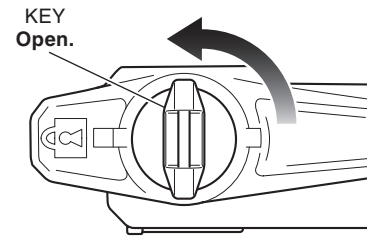
6. Remove the key. Be sure that lever cannot be released and the top box is installed securely.
- **The top box can come off during riding unless it is mounted securely.**



How to Remove the Top box

1. Pull and raise the lever as shown.

Insert the key and release the lock by turning the key counter-clockwise.



2. Remove the top box in the reverse order of installation.