

# ARCTIC CAT®



## **250 2x4 • 250 4x4**

Model Number A2005ATE2AUSR (2X4 - Red)

Model Number A2005ATE2AUSG (2X4 - Green)

Model Number A2005ATE4AUSR (4X4 - Red)

Model Number A2005ATE4AUSG (4X4 - Green)

**ILLUSTRATED  
PARTS  
MANUAL**

# 2005

# TABLE OF CONTENTS

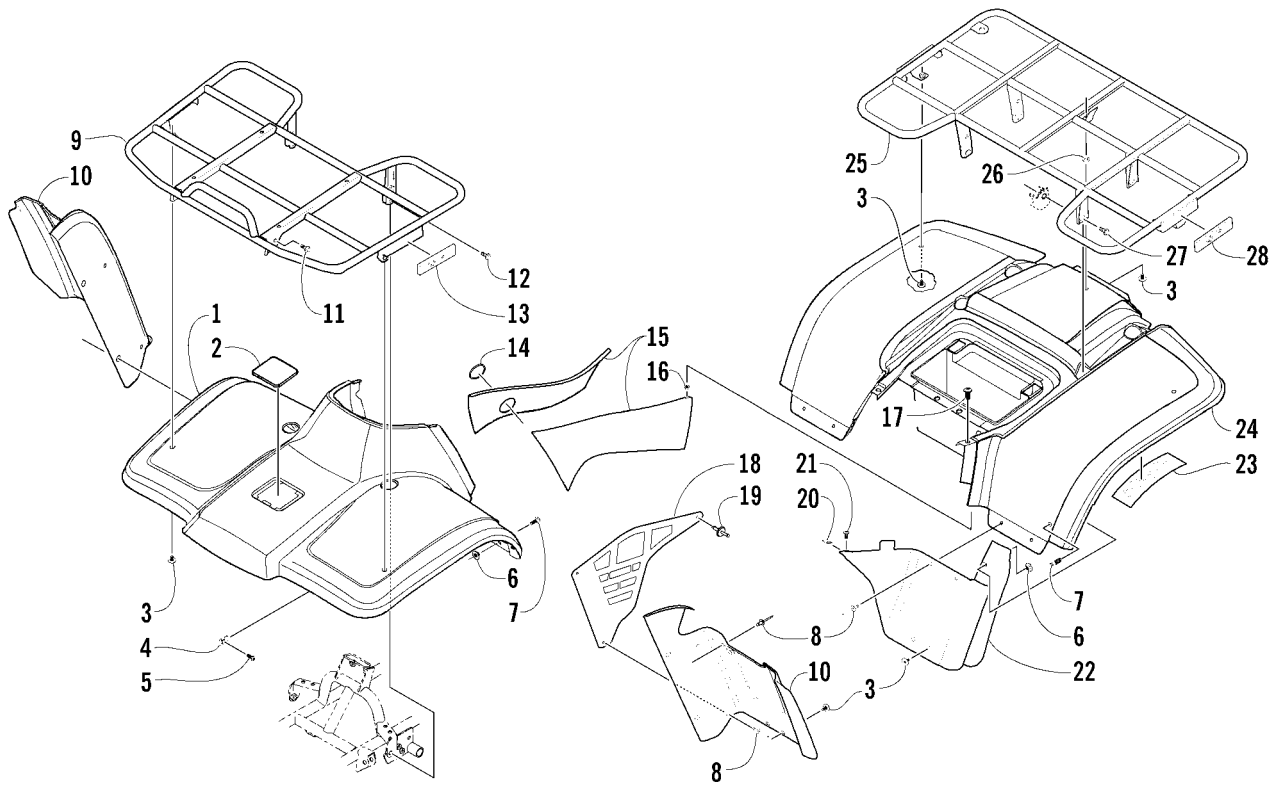
## 2005 ATV 250

2x4 Red (Model No. A2005ATE2AUSR)  
4x4 Red (Model No. A2005ATE4AUSR)

2x4 Green (Model No. A2005ATE2AUSG)  
4x4 Green (Model No. A2005ATE4AUSG)

BODY PANEL ASSEMBLY .....	1
TAILLIGHT ASSEMBLY .....	2
DECALS .....	3
FRAME AND RELATED PARTS .....	4
SEAT ASSEMBLY .....	5
STEERING POST ASSEMBLY .....	6
HANDLEBAR ASSEMBLY .....	7
FRONT SUSPENSION ASSEMBLY .....	8
REAR SUSPENSION ASSEMBLY .....	9
WHEEL AND TIRE ASSEMBLY .....	10
AUXILIARY BRAKE ASSEMBLY .....	11
HYDRAULIC HAND BRAKE ASSEMBLY .....	12
HYDRAULIC BRAKE ASSEMBLY .....	13
GAS TANK ASSEMBLY .....	14
REVERSE SHIFT LEVER ASSEMBLY .....	15
AIR INTAKE ASSEMBLY .....	16
SHIFTER ASSEMBLY .....	17
FRONT DRIVE GEARCASE ASSEMBLY (4X4) .....	18
ENGINE AND RELATED PARTS .....	19
OIL COOLER ASSEMBLY .....	20
ELECTRICAL COMPONENTS .....	21
CARBURETOR .....	22
CYLINDER HEAD ASSEMBLY .....	23
CYLINDER ASSEMBLY .....	24
CRANKCASE ASSEMBLY .....	25
CRANKCASE COVER ASSEMBLY .....	26
CRANKSHAFT ASSEMBLY .....	27
STARTER CLUTCH ASSEMBLY .....	28
CAMSHAFT/VALVE ASSEMBLY .....	29
CAM CHAIN ASSEMBLY .....	30
RECOIL STARTER ASSEMBLY .....	31
OIL PUMP ASSEMBLY .....	32
CLUTCH ASSEMBLY .....	33
TRANSMISSION ASSEMBLY .....	34
SECONDARY TRANSMISSION ASSEMBLY .....	35
SECONDARY GEAR/OUTPUT SHAFT ASSEMBLY .....	36
GEAR SHIFTING ASSEMBLY .....	37
STARTER MOTOR ASSEMBLY .....	38
MAGNETO ASSEMBLY .....	39
CONTROL SWITCH HOUSING ASSEMBLY .....	40
THROTTLE CASE ASSEMBLY .....	41
RELATED ITEMS .....	Back Cover

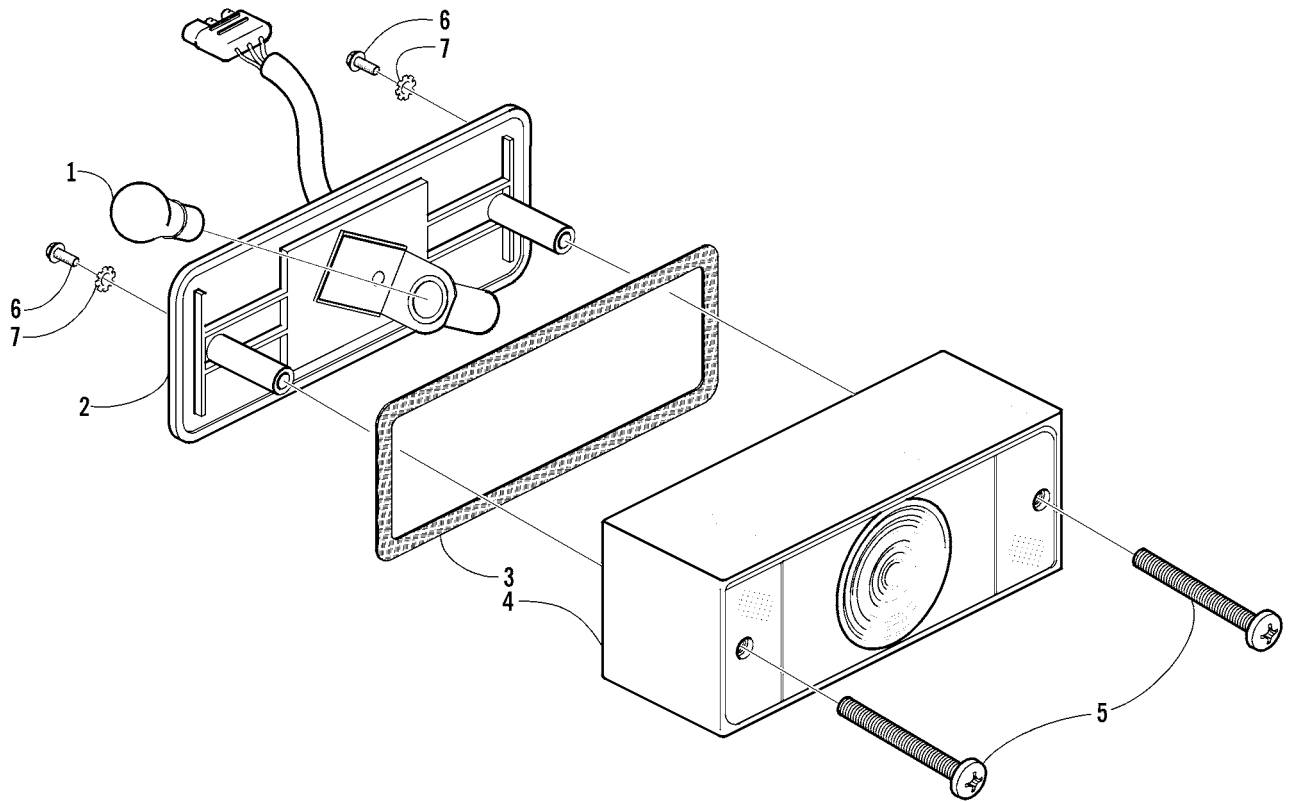
■ NOTE: The illustrations used in this Parts Manual are for reference to replacement part numbers only and are not to be used for assembly. For assembly procedures, use an Arctic Cat Service Manual. Underlined part numbers are new for the 2005 model year.



## BODY PANEL ASSEMBLY

0739-717

Ref.	Part No.	Qty.	Description	Ref.	Part No.	Qty.	Description
1	0506-605	1	Panel, Fender - Front (inc. 2)	16	0123-010	2	Nut, Expansion
	0506-604	1	Panel, Fender - Front (inc. 2) (Green)	17	0423-068	2	Screw, Machine
2	1406-142	1	● Cover, Access	18	0406-374	2	Panel, Deflector
	1406-141	1	● Cover, Access (Green)	19	0623-362	2	Rivet, Reinstallable
3	0423-101	AR	Screw, Body	20	0423-060	2	Clip, Tinnerman
4	0423-031	2	Nut, Speed	21	0623-309	2	Screw, Self-Tapping
5	8477-616	2	Screw, Machine	22	0406-084	1	Fender Extension - Rear - Right
6	0423-077	4	T-Nut		0406-085	1	Fender Extension - Rear - Left
7	8477-610	4	Screw, Machine	23	0619-230	AR	Tape, Foil
	8477-616	4	Screw, Machine (4X4)	24	0506-617	1	Panel, Fender - Rear
8	0423-046	AR	Rivet, Plastic		0506-619	1	Panel, Fender - Rear (Green)
9	0506-525	1	Rack - Front - Black	25	0506-861	1	Rack - Rear - Black
10	0506-272	1	Panel, Kick - Right	26	0423-332	1	Washer, Rubber
	0506-629	1	Panel, Kick - Left	27	8409-020	4	Screw, Cap
11	0423-360	2	Screw, Cap	28	0411-647	2	Decal, Reflector - Red
12	8408-816	2	Screw, Cap				
13	0411-646	2	Decal, Reflector - Amber				
14	0470-404	1	Grommet, Fuel Shut-Off Valve				
15	0506-548	1	Panel, Side - Right				
	0506-243	1	Panel, Side - Left				
	0506-549	1	Panel, Side - Right (Green)				
	0506-673	1	Panel, Side - Left (Green)				

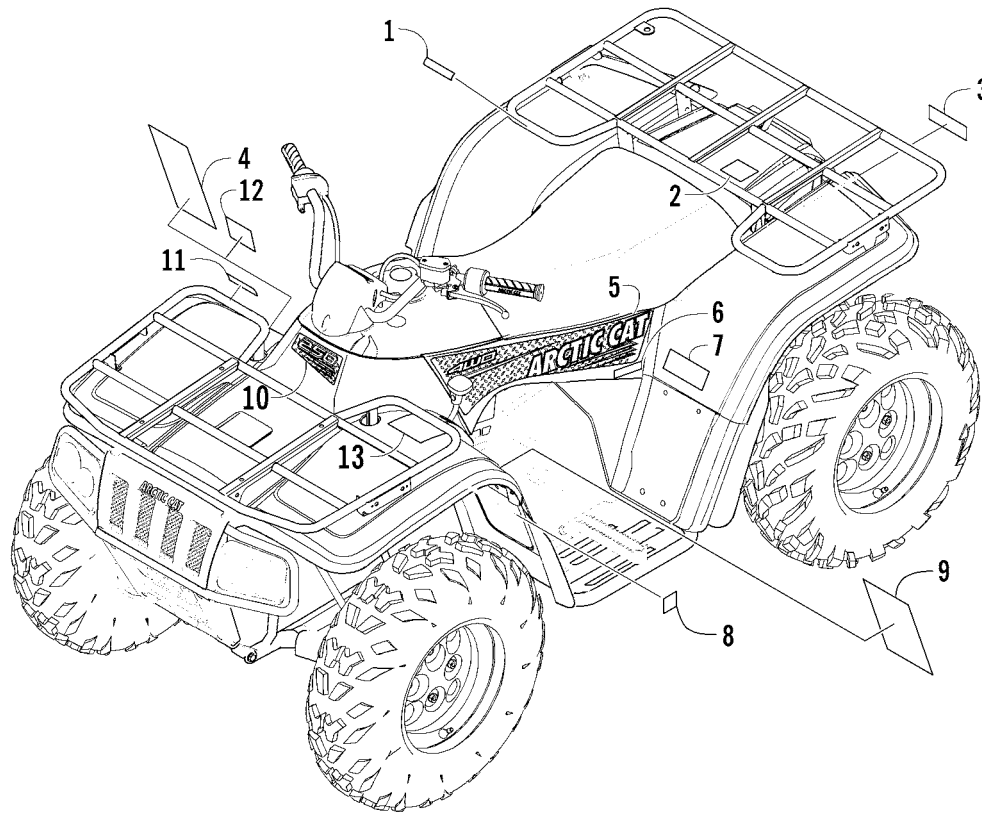


## TAILLIGHT ASSEMBLY

(Complete Taillight Assembly p/n 0409-002)

0732-336

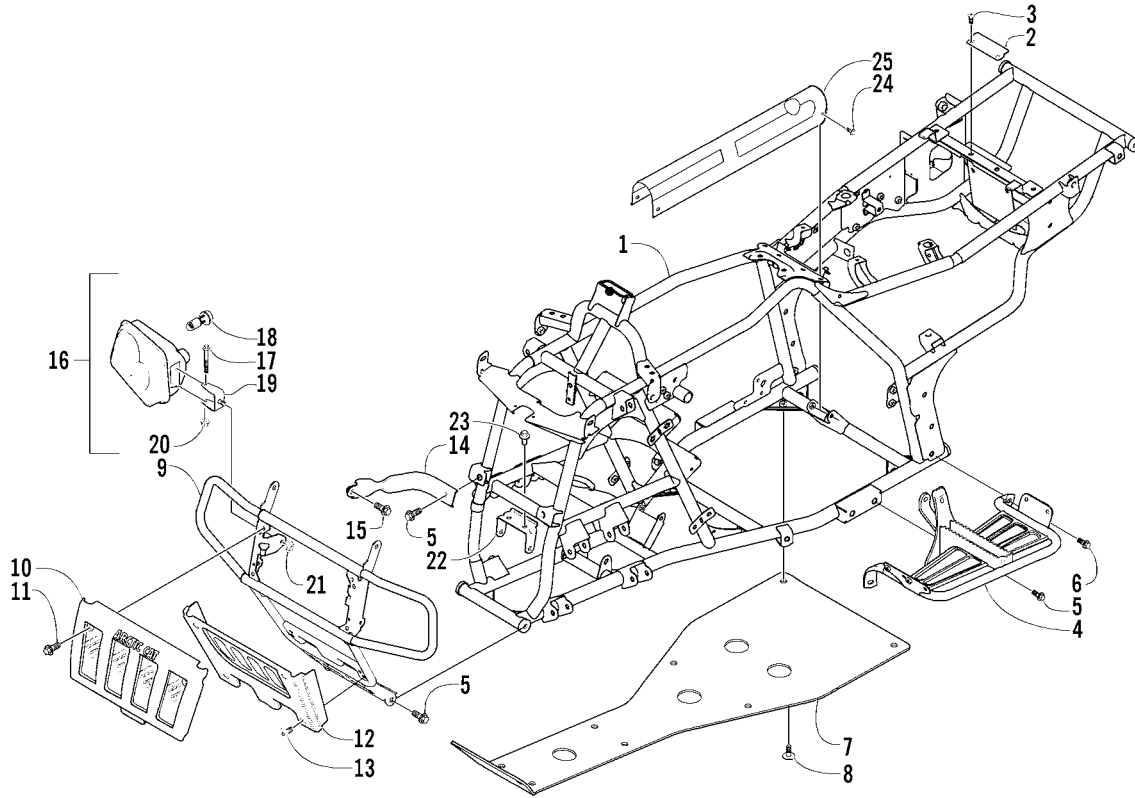
Ref.	Part No.	Qty.	Description	Ref.	Part No.	Qty.	Description
1	0109-460	1	Bulb, Stop/Taillight	5	0409-010	2	Screw, Machine
2	0409-058	1	Taillight w/Socket Assembly	6	0623-301	2	Screw, Self-Tapping
3	0409-012	1	Gasket, Taillight Lens	7	8053-212	2	Washer, Lock - External Tooth
4	0409-007	1	Lens, Taillight				



## DECALS

0739-475

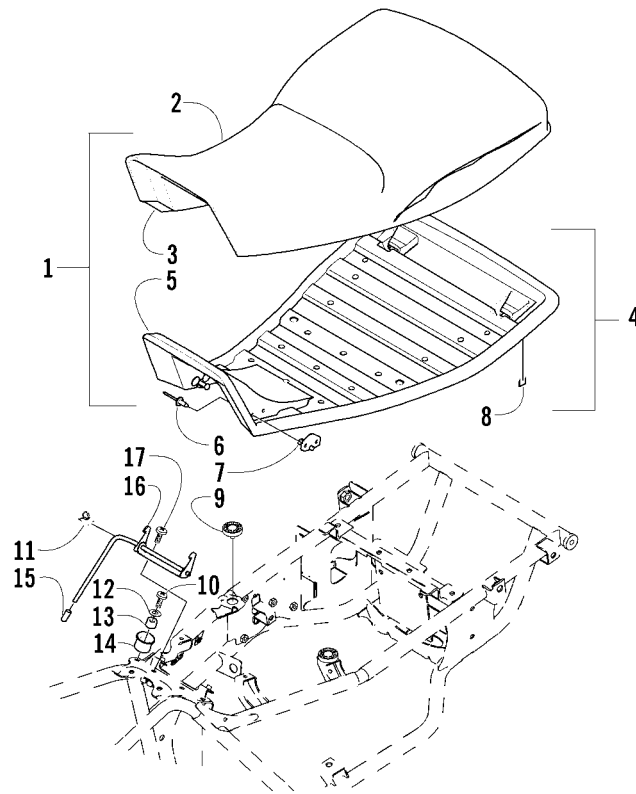
Ref.	Part No.	Qty.	Description	Ref.	Part No.	Qty.	Description
1	0411-648	1	Decal, Warning - Rear Rack Load	6	0411-587	1	Decal, Hi/Low Range
2	0411-435	1	Decal, Passenger		0411-586	1	Decal, Hi/Low Range (4X4)
3	0411-269	1	Decal, Warning - Towing	7	0411-430	1	Decal, Warning - Tire Pressure
4	0411-008	1	Decal, Warning - Reverse/Pre-Ride	8	0411-086	1	Decal, Shift Pattern
5	0411-790	1	Decal, Side - Right	9	0411-218	1	Decal, Warning - General
	0411-791	1	Decal, Side - Left	10	0411-765	1	Decal, Front
	0411-794	1	Decal, Side - Right (2X4 Green)		0411-766	1	Decal, Front (Green)
	0411-795	1	Decal, Side - Left (2X4 Green)	11	0411-576	1	Decal, Warning - Front Rack Load
	0411-774	1	Decal, Side - Right (4X4 Red)	12	0411-835	1	Decal, Warning - Turn/Hill
	0411-775	1	Decal, Side - Left (4X4 Red)	13	0411-401	1	Decal, Warning - Age
	0411-776	1	Decal, Side - Right (4X4 Green)				
	0411-777	1	Decal, Side - Left (4X4 Green)				



## FRAME AND RELATED PARTS

0738-297

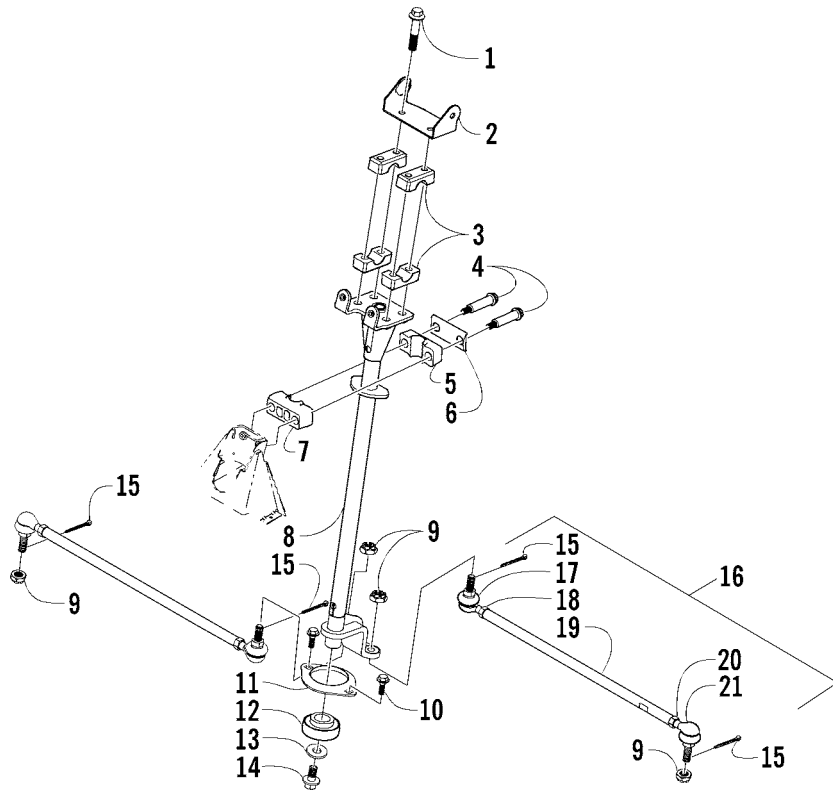
Ref.	Part No.	Qty.	Description	Ref.	Part No.	Qty.	Description
1	0506-957	1	Frame, Main	14	0506-964	2	Channel, Bumper
	0506-875	1	Frame, Main (4X4)	15	8408-812	2	Screw, Cap
2	0506-962	1	Bracket, Body Hold-Down	16	0409-032	1	Headlight - Right (inc. 17-20)
3	8476-616	2	Screw, Machine		0409-031	1	Headlight - Left (inc. 17-20)
4	0506-959	1	Footrest - Right	17	8410-860	2	● Screw, Cap
	0506-217	1	Footrest - Left	18	0409-045	4	● Bulb, Headlight
5	8409-020	8	Screw, Cap	19	0406-945	2	● Bracket, Headlight
6	8408-816	4	Screw, Cap	20	0423-375	2	● Nut, Lock
7	0406-894	1	Panel, Belly	21	8424-802	2	Nut
8	0423-101	10	Screw, Body	22	0506-210	1	Bracket, Mounting - Front Drive Gearcase (4X4)
9	0506-873	1	Bumper	23	8408-820	2	Screw, Cap (4X4)
10	0406-832	1	Grille - Upper	24	8471-610	4	Screw, Cap (4X4)
11	0423-361	2	Screw, Machine	25	0506-963	1	Cover, Front Driveshaft (4X4)
12	1406-420	1	Grille - Lower				
13	0423-362	4	Screw, Machine				



## SEAT ASSEMBLY

0737-462 \*Not a Service Part

Ref.	Part No.	Qty.	Description	Ref.	Part No.	Qty.	Description
1	1506-182	1	Seat Assembly (inc. 2-8)	10	8476-620	2	Screw, Cap
2	0406-404	1	● Cover, Seat	11	0406-235	1	Spring, Seat Latch
3	0506-291	1	● Foam, Seat	12	8050-217	2	Washer
4	0506-223	1	● Base, Seat - Assembly (inc. 5-7)	13	0406-199	2	Collar, Seat-Base - Front
5	*	1	●● Base, Seat	14	0406-171	2	Bumper, Seat-Base - Front
6	8061-628	4	●● Rivet	15	0623-404	1	Cap, Protector
7	1506-057	2	●● Pin, Seat-Base - Front	16	1506-056	1	Latch, Seat - Assembly
8	0624-528	AR	● Staple	17	8476-616	2	Screw, Machine
9	0406-309	2	Grommet, Seat - Center				

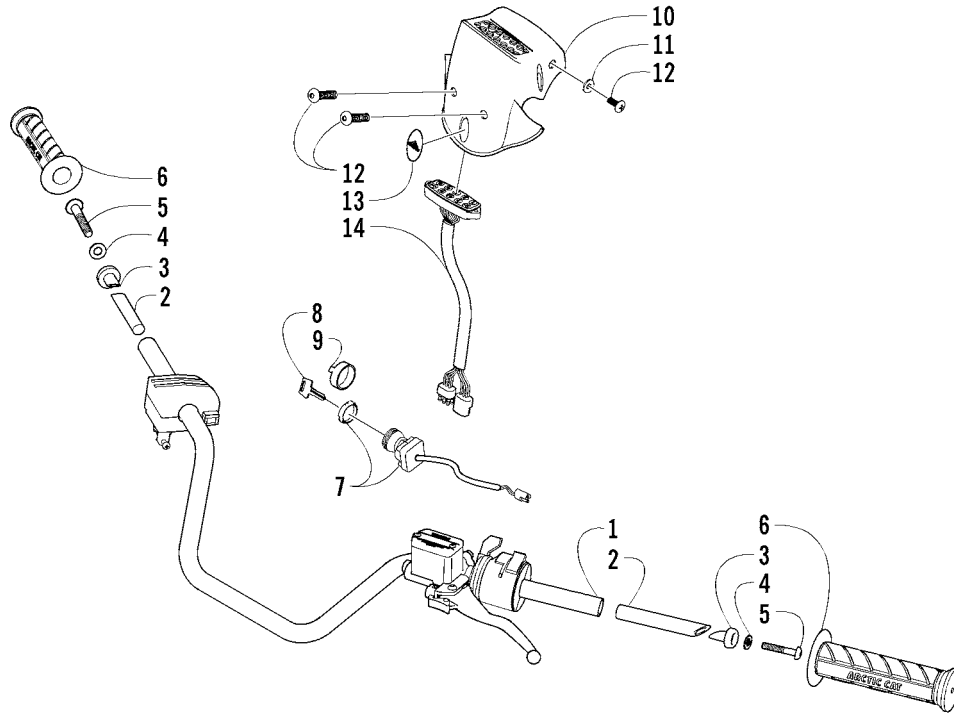


## STEERING POST ASSEMBLY

0739-476

Ref.	Part No.	Qty.	Description	Ref.	Part No.	Qty.	Description
1	8408-860	4	Screw, Cap	12	0405-052	1	Bearing, Steering
2	0506-348	1	Bracket, Key Switch	13	0423-073	1	Washer
3	0405-035	4	Cap, Steering Adjuster	14	8409-020	1	Screw, Cap
4	0423-505	2	Screw, Shoulder	15	0623-175	4	Pin, Cotter
5	0405-139	1	Housing, Upper	16	0505-072	2	Tie Rod, Assembly (inc. 17-21)
6	0405-166	1	Cap, Housing	17	0405-083	2	● Ball Joint, Tie Rod - Left
7	0405-138	1	Housing, Lower	18	0423-013	2	● Nut - Left
8	0505-431	1	Post, Steering	19	0405-032	2	● Tie Rod
9	0423-157	4	Nut, Lock	20	8420-002	2	● Nut - Right
10	8408-816	2	Screw, Cap	21	0405-082	2	● Ball Joint, Tie Rod - Right
11	0602-233	1	Flange, Bearing				

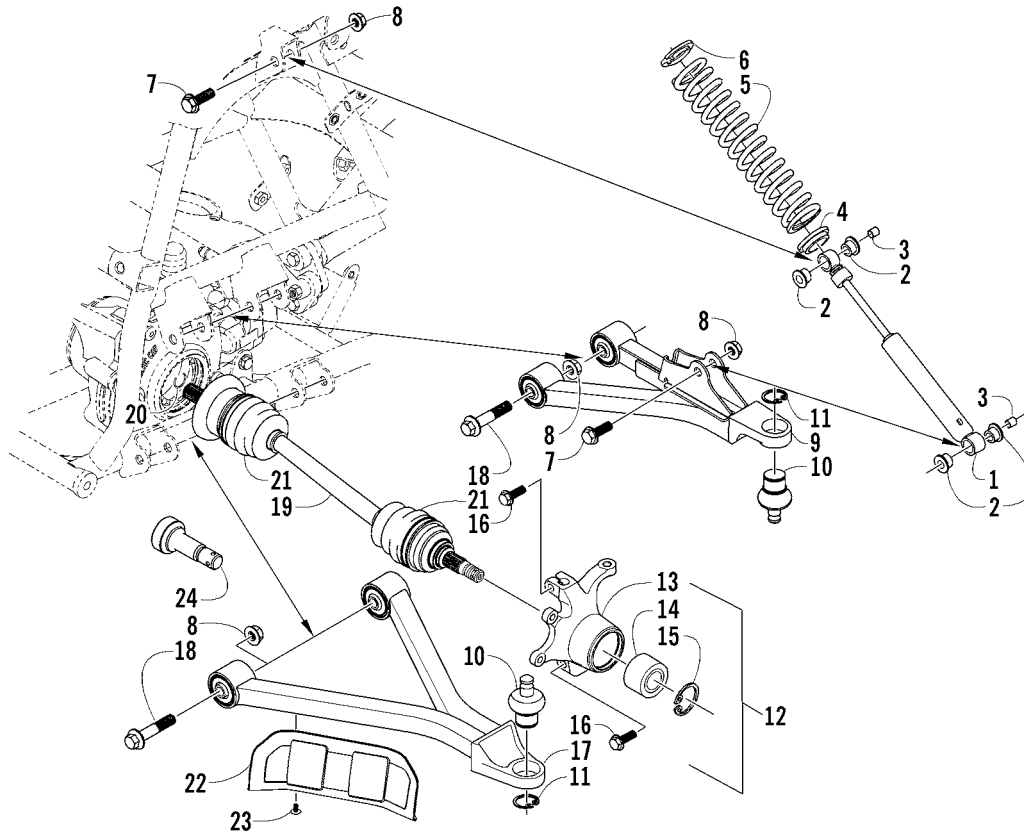




## HANDLEBAR ASSEMBLY

0739-477

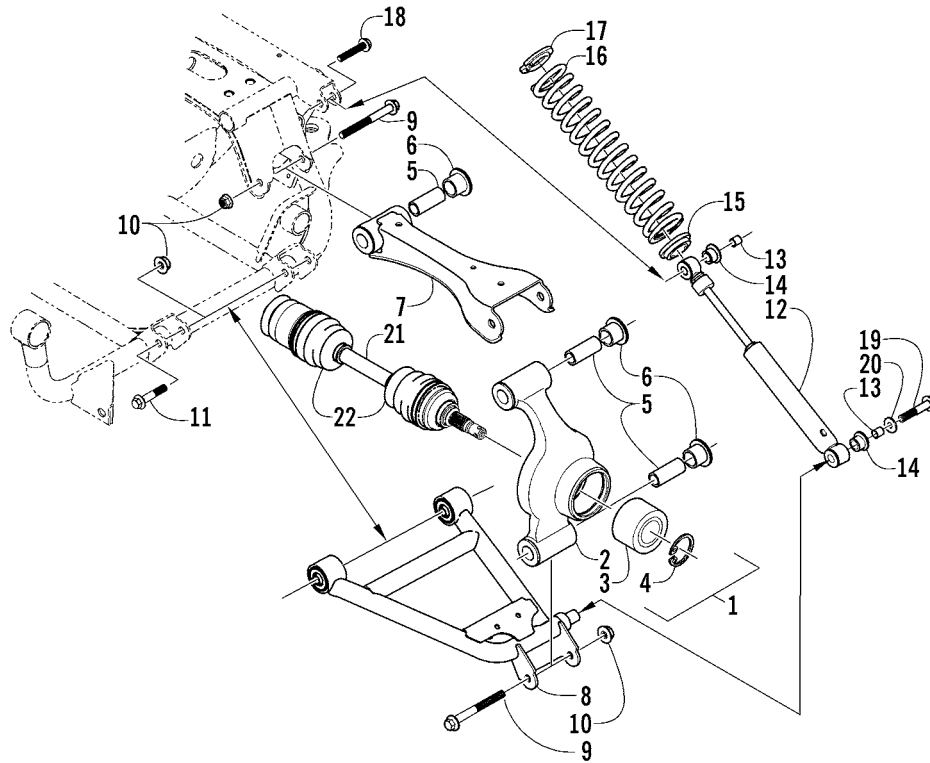
Ref.	Part No.	Qty.	Description	Ref.	Part No.	Qty.	Description
1	0505-427	1	Tube, Handlebar	9	0409-013	1	Cover, Key
2	0405-148	2	Plug, Handlebar	10	0405-063	1	Housing, Instrument
3	0405-149	2	End Cap, Handlebar	11	0423-052	1	Collar, Body
4	8050-247	2	Washer	12	8477-616	3	Screw, Machine
5	8477-845	2	Screw, Machine	13	0405-042	1	Plug, Instrument Pod
6	0405-147	2	Grip, Handlebar	14	0420-035	1	Panel, LED
7	3430-040	1	Switch, Ignition - Assembly (inc. 8)				
8	3409-007	1	● Key, Ignition - Blank (C Series)				
	3409-011	1	● Key, Ignition - Blank (D Series)				
	3409-012	1	● Key, Ignition - Blank (E Series)				
	3409-013	1	● Key, Ignition - Blank (F Series)				



## FRONT SUSPENSION ASSEMBLY

0739-478

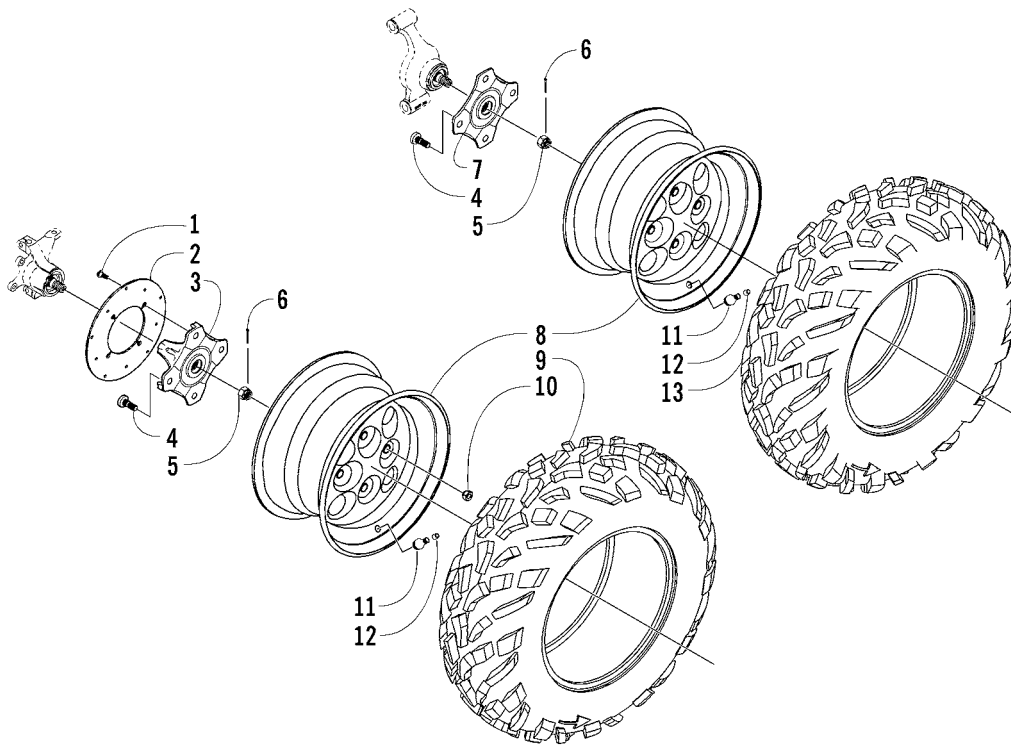
Ref.	Part No.	Qty.	Description	Ref.	Part No.	Qty.	Description
1	0403-036	2	Shock Absorber - Front (inc. 2-3)	14	<u>1402-027</u>	2	● Bearing, Wheel Hub - Front
2	0604-310	8	● Bushing, Shock Absorber	15	0423-423	2	● Ring, Retaining
3	0403-028	4	● Sleeve, Shock	16	8409-030	4	Screw, Cap
4	0403-104	2	Retainer, Spring - Lower	17	0503-187	1	A-Arm, Lower Right (inc. 10-11)
5	0403-037	2	Spring, Shock Absorber - Black		0503-186	1	A-Arm, Lower Left (inc. 10-11)
6	1603-889	2	Retainer, Spring		0503-188	1	A-Arm, Lower Right (inc. 10-11) (4X4)
7	8409-040	4	Screw, Cap		0503-189	1	A-Arm, Lower Left (inc. 10-11) (4X4)
8	8428-002	12	Nut, Lock	18	8409-060	8	Screw, Cap
9	0503-184	1	A-Arm, Upper Right - Assembly (inc. 10-11)	19	<u>0502-539</u>	2	Axle, Drive - Front (inc. 20-21) (4X4)
	0503-185	1	A-Arm, Upper Left - Assembly (inc. 10-11)	20	0441-400	2	● Clip, Retaining (4X4)
10	0405-115	4	● Ball Joint - Front	21	0436-276	2	● Repair Kit, Boot - Front Axle (4X4)
11	0423-009	4	● Clip, Ball Joint	22	0406-656	2	Guard, Boot - Front Axle (4X4)
12	<u>0505-446</u>	1	Knuckle - Assembly - Right (inc. 13-15)	23	0423-101	4	Screw, Body (4X4)
	<u>0505-447</u>	1	Knuckle - Assembly - Left (inc. 13-15)	24	<u>1402-226</u>	2	Axle, Stub (2X4)
13	<u>0505-444</u>	1	● Knuckle, Steering - Right				
	<u>0505-445</u>	1	● Knuckle, Steering - Left				



## REAR SUSPENSION ASSEMBLY

0739-463

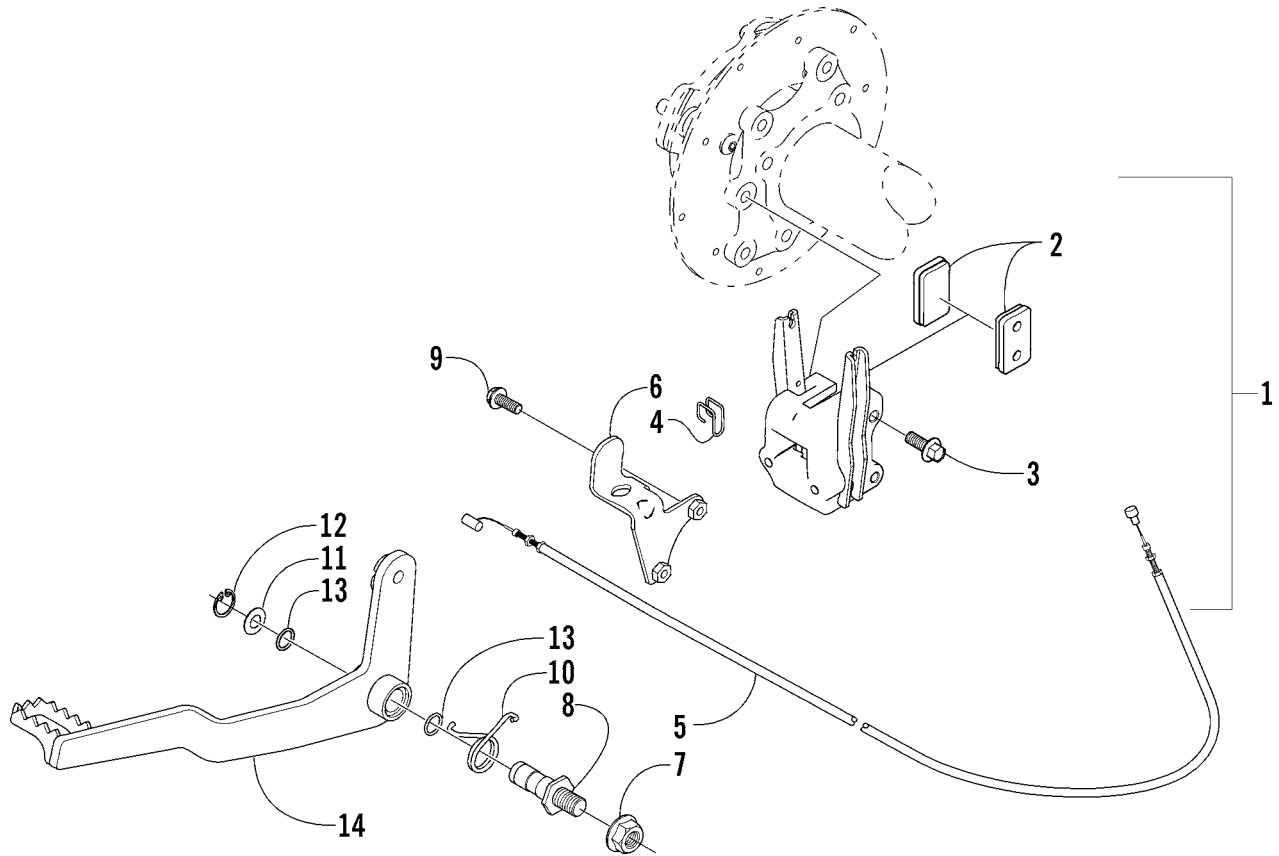
Ref.	Part No.	Qty.	Description	Ref.	Part No.	Qty.	Description
1	<u>0504-325</u>	1	Knuckle, Right Rear - Assembly (inc. 2-6)	11	8409-060	4	Screw, Cap
	0504-313	1	Knuckle, Left Rear - Assembly (inc. 2-6)	12	0404-014	2	Shock Absorber - Rear (inc. 13-14)
2	0504-309	1	● Knuckle - Right	13	0403-028	4	● Sleeve, Shock Absorber
	0504-310	1	● Knuckle - Left	14	0604-310	8	● Bushing, Shock Absorber
3	1402-027	2	● Bearing, Wheel	15	0403-104	2	Retainer, Spring - Lower
4	0423-423	2	● Ring, Retaining	16	0403-002	2	Spring, Suspension - Black
5	0403-038	6	● Collar, Suspension Bushing	17	1603-889	2	Retainer, Spring - Upper
6	0403-032	12	● Bushing, Suspension	18	8409-040	2	Screw, Cap
7	0504-044	2	Arm, Rear - Upper	19	8408-820	2	Screw, Cap
8	0504-030	1	A-Arm, Rear - Lower Right	20	0423-087	2	Washer
	0504-031	1	A-Arm, Rear - Lower Left	21	<u>0502-543</u>	2	Axle, Drive (inc. 22)
9	8409-000	6	Screw, Cap	22	0436-276	2	● Repair Kit, Boot - Rear Axle
10	8428-002	12	Nut, Lock				



## WHEEL AND TIRE ASSEMBLY

0739-464

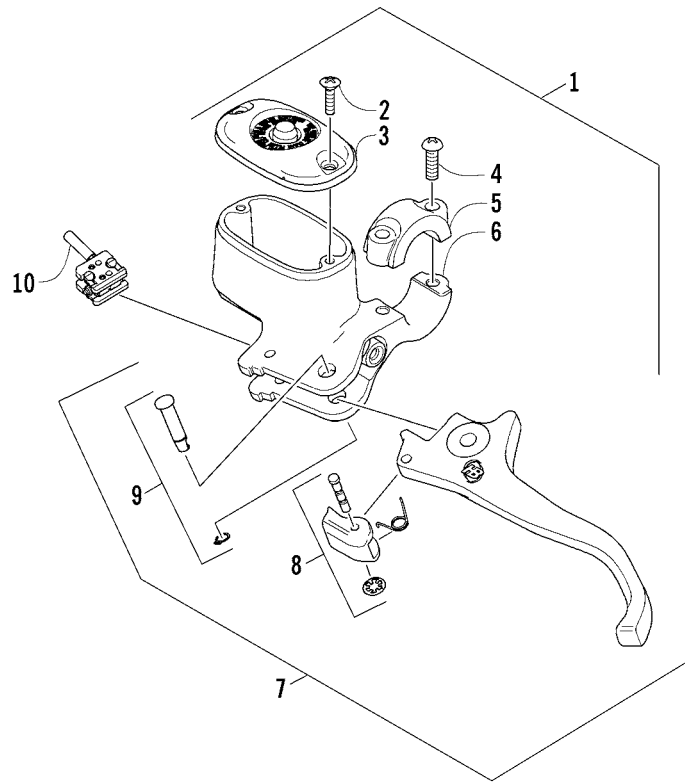
Ref.	Part No.	Qty.	Description	Ref.	Part No.	Qty.	Description
1	0423-029	12	Screw, Machine	8	0402-856	4	Wheel Assembly - Gray
2	1402-225	3	Disc, Brake	9	0402-316	2	Tire - Front
3	0502-599	2	Hub, Wheel - Front (inc. 4)	10	0423-408	16	Nut, Mounting - Wheel
4	0402-974	16	● Stud, Wheel Hub	11	0402-064	4	Stem, Valve (inc. 12)
5	0423-394	4	Nut, Castle	12	0402-140	4	● Cap, Valve Stem
6	0423-407	4	Pin, Cotter	13	0402-317	2	Tire, Rear
7	0502-599	1	Hub, Wheel - Rear - Right (inc. 4)				
	0502-601	1	Hub, Wheel - Rear - Left (inc. 4)				



## AUXILIARY BRAKE ASSEMBLY

0737-504

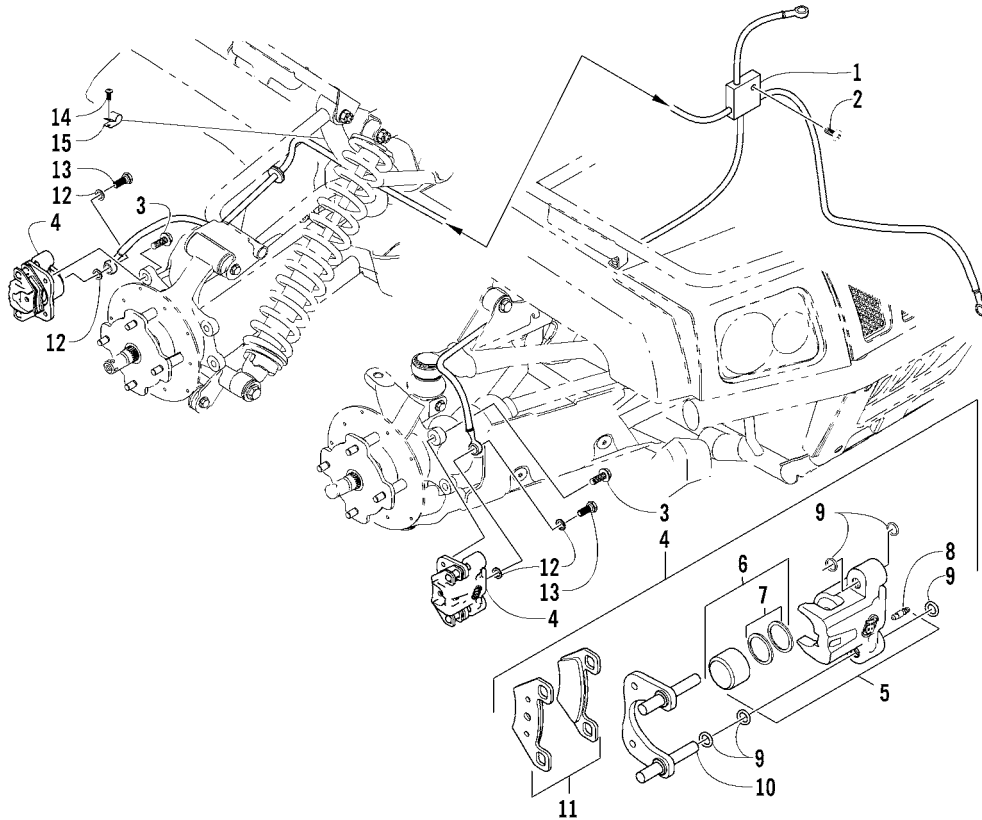
Ref.	Part No.	Qty.	Description	Ref.	Part No.	Qty.	Description
1	0502-372	1	Auxiliary Brake Assembly (inc. 2)	8	0406-562	1	Axle, Brake Lever
2	0402-958	2	● Pad, Brake	9	8476-616	2	Screw, Cap
3	8408-825	2	Screw, Cap	10	0502-409	1	Spring, Brake Lever
4	0402-379	1	Wire Form, Cable	11	0423-027	1	Washer, Brake Lever
5	0487-010	1	Cable, Brake - Rear	12	0623-237	1	Ring, Snap
6	0502-056	1	Bracket, Brake Switch	13	0670-183	2	O-Ring
7	0423-165	1	Nut	14	0502-095	1	Lever, Brake



## HYDRAULIC HAND BRAKE ASSEMBLY

0739-479

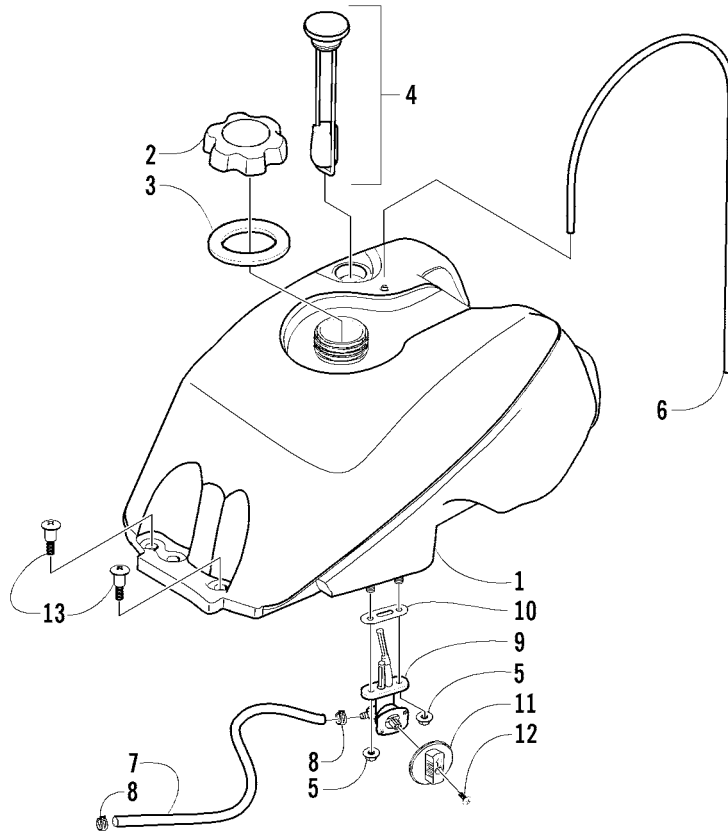
Ref.	Part No.	Qty.	Description	Ref.	Part No.	Qty.	Description
1	<u>0502-632</u>	1	Brake Assembly (inc. 2-10)	6	<u>0502-633</u>	1	● Master Cylinder Assembly - Kit
2	0502-566	1	● Screw, Reservoir Cover - Kit	7	<u>0502-634</u>	1	● Lever Assembly - Kit (inc. 8-9)
3	0502-565	1	● Cover, Reservoir - Kit	8	<u>0502-635</u>	1	● ● Lock, Brake Lever - Kit
4	0502-568	1	● Screw, Master Cylinder Clamp - Kit	9	0502-580	1	● ● Lever Pin - Kit
5	0502-567	1	● Clamp, Master Cylinder - Kit	10	0502-564	1	● Switch, Brake - Kit



## HYDRAULIC BRAKE ASSEMBLY

0739-480

Ref.	Part No.	Qty.	Description	Ref.	Part No.	Qty.	Description
1	0502-625	1	Hose, Brake - Assembly	6	0502-606	3	●● Piston/Seal Set (inc. 7)
2	8476-625	1	Screw, Cap	7	0502-607	3	●●● Seal Set
3	8408-825	6	Screw, Cap	8	0502-609	3	●● Valve, Bleed
4	0502-602	1	Caliper, Brake - Right Front (inc. 5-11)	9	0502-608	3	● O-Ring, Guide - Set
	0502-610	2	Caliper, Brake - Left Front and Right Rear (inc. 5-11)	10	0502-605	3	● Bracket Assembly
5	0502-603	1	● Housing, Caliper - Assembly - Right Front (inc. 6-8)	11	0502-604	3	● Pad, Brake - Set
	0502-611	2	● Housing, Caliper - Assembly - Left Front and Right Rear (inc. 6-8)	12	0423-178	8	Washer, Crush
				13	0423-413	4	Bolt, Banjo Fitting
				14	0423-324	1	Screw, Self-Tapping
				15	0423-415	1	Clamp

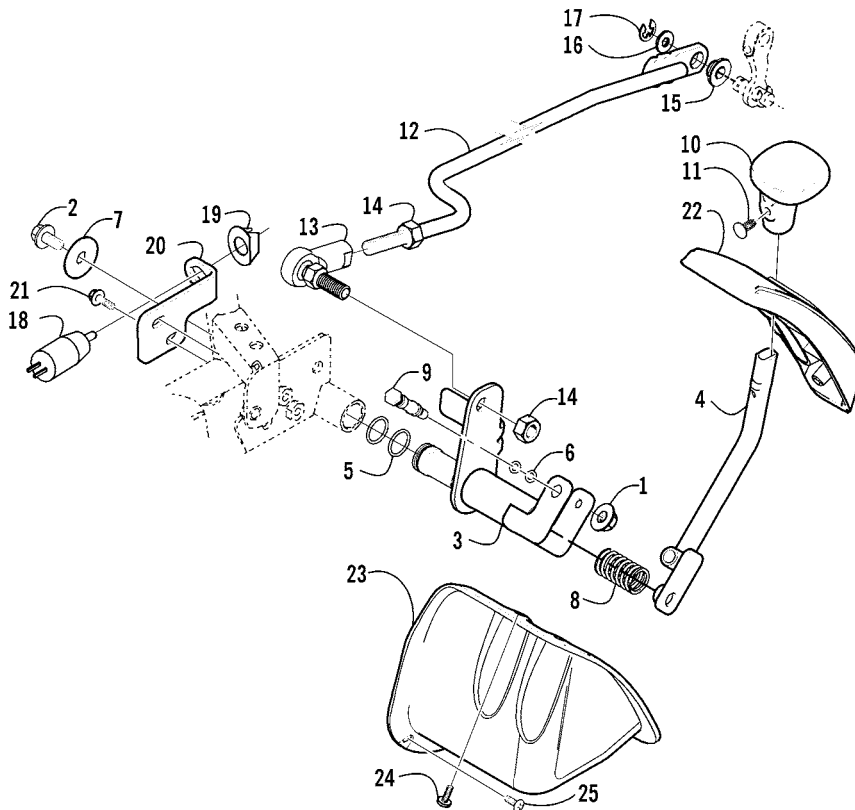


## GAS TANK ASSEMBLY

0736-991

Ref.	Part No.	Qty.	Description	Ref.	Part No.	Qty.	Description
1	0570-068	1	Tank, Gas - Assembly (inc. 2-10)	8	0423-152	2	● Clamp, Hose - Spring
2	0470-438	1	● Cap, Gas Tank (inc. 3)	9	0470-445	1	● Valve, Fuel Shut-Off (inc. 10)
3	0109-733	1	●● Gasket, Tank Cap	10	0470-364	1	●●● Gasket, Fuel Shut-Off Valve
4	0570-086	1	● Gauge, Fuel w/Gasket (Press-Fit)	11	0470-408	1	Knob, Fuel Shut-Off Valve
5	0423-398	2	● Nut, Lock	12	0423-146	1	Screw, Fuel Shut-Off Valve Knob
6	0470-416	1	● Hose, Vent	13	0423-130	2	Screw, Gas Tank
7	0610-007	AR	● Hose, Gasline - 25 ft				

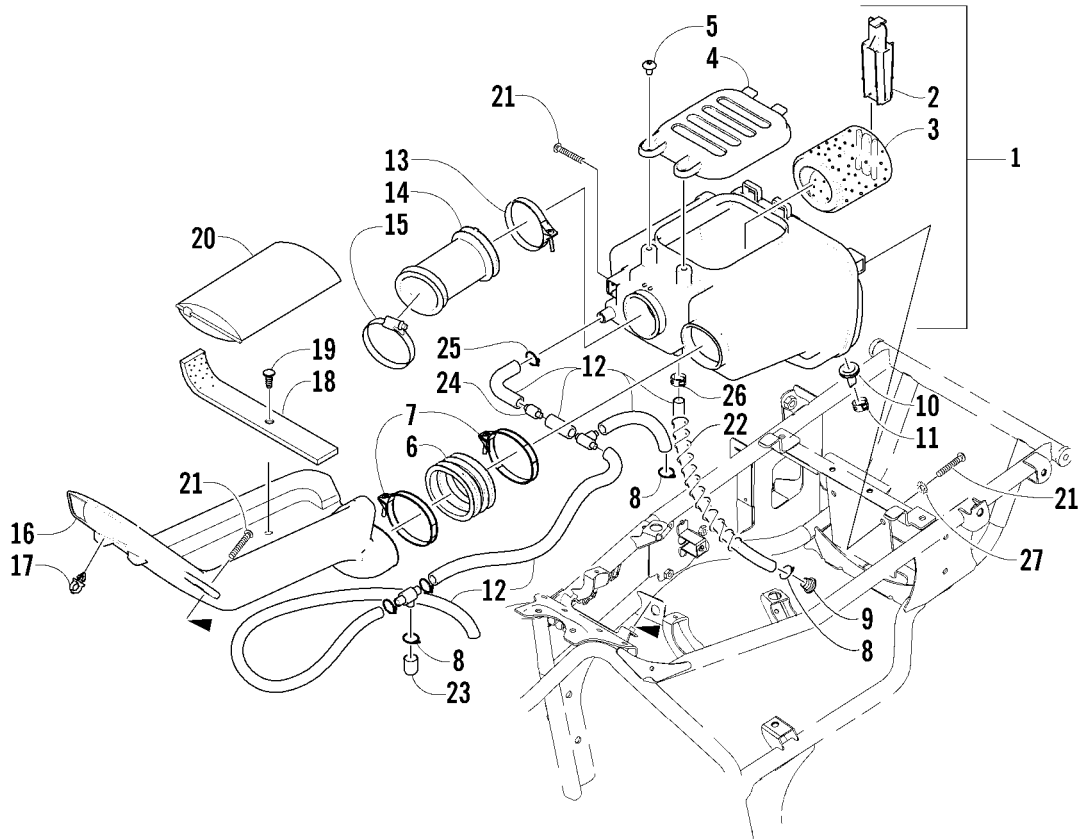




## REVERSE SHIFT LEVER ASSEMBLY

0736-908

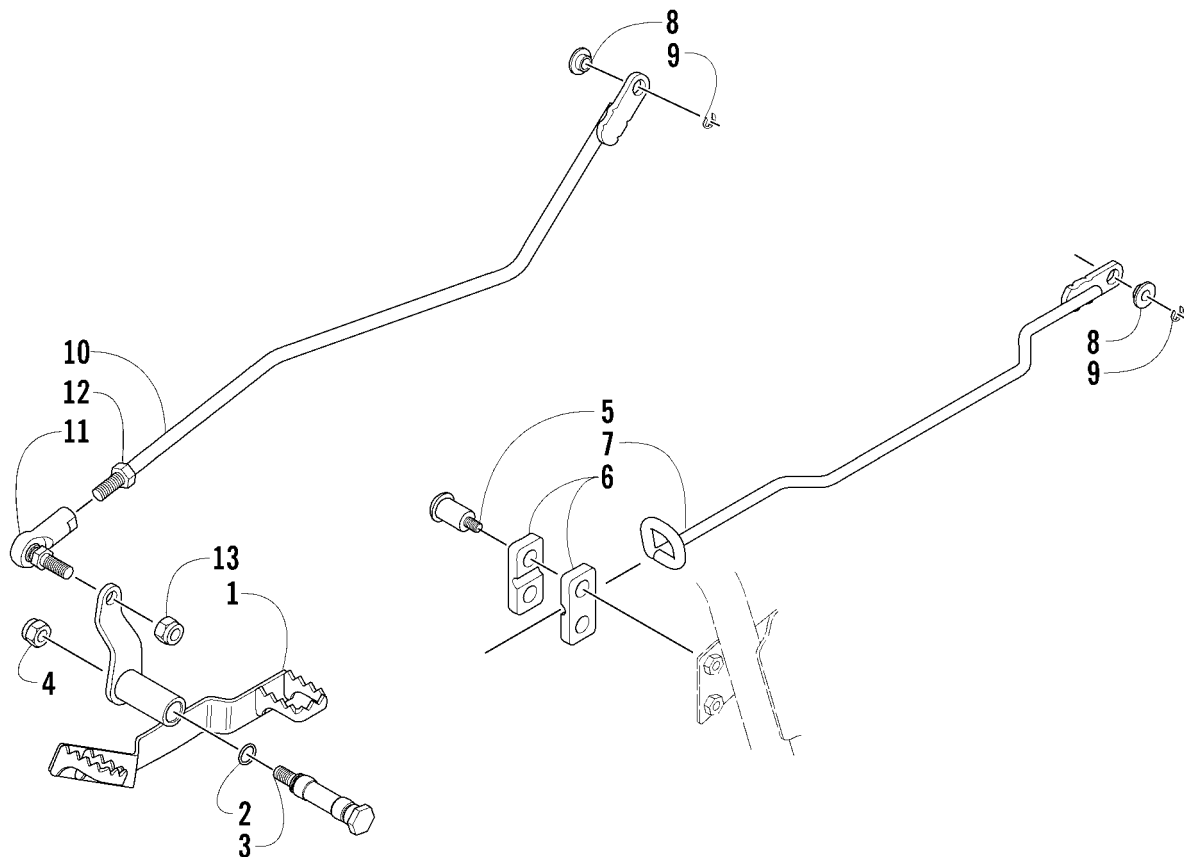
Ref.	Part No.	Qty.	Description	Ref.	Part No.	Qty.	Description
1	8424-602	1	Nut	14	0623-294	2	Nut
2	8408-812	1	Screw, Cap	15	0423-091	1	Bushing, Shift
3	0502-237	1	Axle, Reverse Shift Lever	16	8050-242	1	Washer
4	0502-185	1	Lever, Reverse Shift	17	0423-169	1	E-Ring
5	0423-299	2	O-Ring	18	0409-008	1	Reverse Switch
6	0423-182	2	O-Ring	19	0402-168	1	Retainer, Reverse Switch
7	0423-087	1	Washer	20	0506-961	1	Bracket, Reverse Switch
8	0502-410	1	Spring, Reverse Shift Lever	21	8408-616	2	Screw, Cap
9	0402-675	1	Axle, Pivot	22	0402-847	1	Plate, Shift
10	0402-843	1	Handle, Reverse Shift Lever	23	0406-943	1	Shield, Linkage
11	0423-345	1	Clip, Push	24	0423-371	3	Screw, Machine
12	0502-250	1	Linkage, Shift	25	0623-309	1	Screw, Self-Tapping
13	1402-270	1	End, Rod				



## AIR INTAKE ASSEMBLY

0738-682

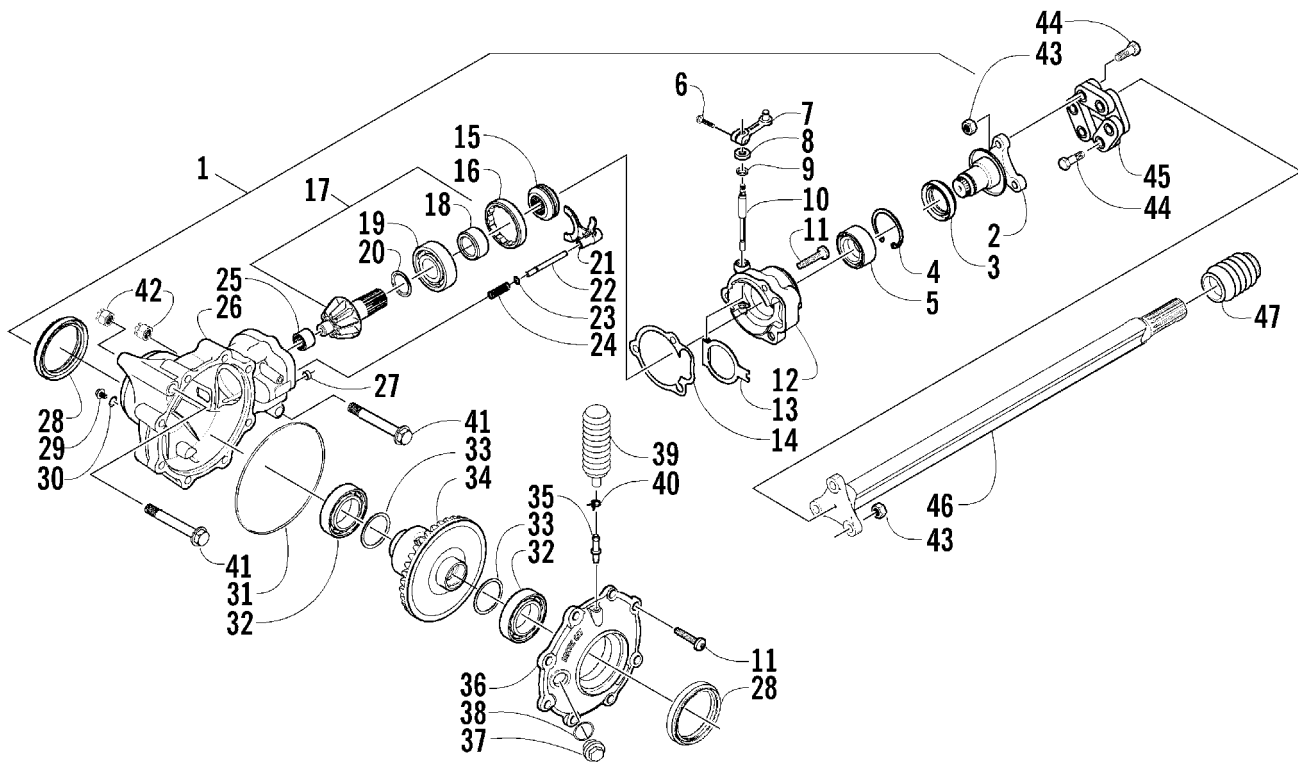
Ref.	Part No.	Qty.	Description	Ref.	Part No.	Qty.	Description
1	3570-001	1	Intake, Air - Assembly (inc. 2-7)	15	0423-317	1	Clamp
2	3402-330	1	● Slider, Retainer - Filter	16	0570-062	1	Snorkel, Air Intake - Assembly (inc. 17-19)
3	0470-421	1	● Filter, Air Cleaner	17	0623-101	1	● Clip, Routing
4	3402-331	1	● Cap	18	0406-379	1	● Strap, Tool Kit
5	8477-610	2	● Screw, Cap	19	0423-478	1	● Plug, Hole - Retaining Clip
6	3423-329	1	● Joint	20	0444-122	1	Kit, Tool
7	3423-311	2	● Clamp	21	8476-616	5	Screw, Cap
8	3423-313	5	Clip	22	0423-128	1	Spring, Vent Tube
9	0423-127	1	Plug, Drain	23	3402-334	1	Plug, Breather
10	0470-442	1	Valve, Air Cleaner	24	3470-002	1	Valve, Check
11	0423-071	1	Clamp	25	3423-424	1	Clip, Air Cleaner
12	3470-004	1	Tube, Crankcase Breather	26	0423-047	1	Clamp
13	3402-236	1	Clamp	27	8053-212	1	Washer, Lock - External Tooth
14	0470-347	1	Boot, Air Cleaner				



## SHIFTER ASSEMBLY

0739-727

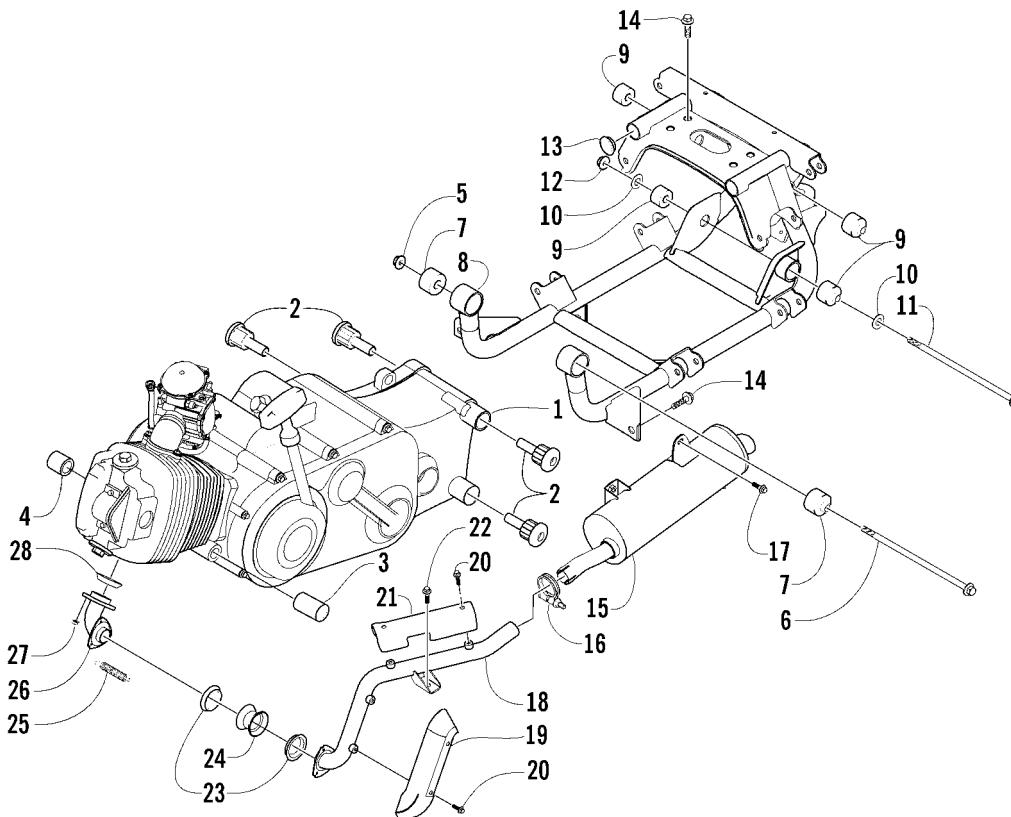
Ref.	Part No.	Qty.	Description	Ref.	Part No.	Qty.	Description
1	0502-253	1	Lever, Footshift	8	0423-091	2	Bushing, Linkage
2	1602-213	2	O-Ring	9	3423-168	2	E-Ring, Linkage
3	0402-370	1	Axle, Lever	10	0502-256	1	Linkage, Footshift Lever (inc. 11-12)
4	8422-002	1	Nut	11	0402-844	1	● End, Rod
5	0423-329	2	Screw, Shoulder	12	0623-294	1	● Nut
6	0406-363	2	Bushing, High/Low Shift	13	0623-025	1	Nut, Lock
7	0502-257	1	Linkage, High/Low Shift				



## FRONT DRIVE GEARCASE ASSEMBLY (4X4)

0738-300

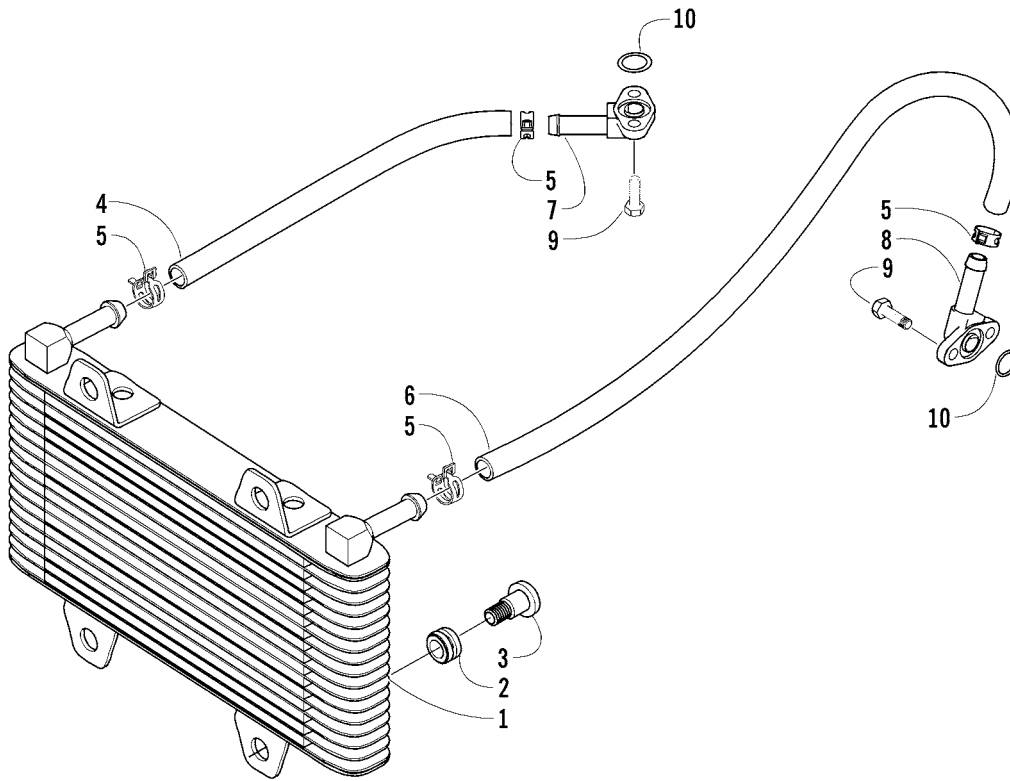
Ref.	Part No.	Qty.	Description	Ref.	Part No.	Qty.	Description
1	0502-338	1	Gearcase, Front Drive - Assembly (inc. 2-38)	24	0402-418	1	● Spring, Return
2	0502-383	1	● Shaft, Input	25	0402-328	1	● Bearing
3	1402-011	1	● Seal	26	0502-120	1	● Housing, Gearcase
4	0423-423	1	● Ring, Retaining	27	0402-411	1	● Pin, Dowel
5	1402-043	1	● Bearing	28	0402-394	2	● Seal
6	8411-620	1	● Screw, Cap	29	0402-450	1	● Plug, Magnetic (inc. 30)
7	0502-092	1	● Arm, Selector	30	0423-153	1	● O-Ring
8	0402-398	1	● Plate, Selector Shaft	31	0423-149	1	● O-Ring
9	0402-416	1	● Seal	32	0402-393	2	● Bearing
10	0402-412	1	● Shaft, Selector	33	0402-405	AR	● Shim
11	0423-118	11	● Screw, Self-Tapping		0402-406	AR	● Shim
12	0502-379	1	● Housing, Selector		0402-407	AR	● Shim
13	0402-414	1	● Plate, Spring - Selector		0402-408	AR	● Shim
14	0402-947	1	● Gasket, Flange		0402-409	AR	● Shim
15	0402-413	1	● Coupler, Drive	34	0502-199	1	● Gear, Ring - 34T
16	0402-357	1	● Collar, Lock	35	0402-871	1	● Fitting
17	0502-155	1	● Gear, Pinion - Assembly - 11T (inc. 18-20)	36	0502-121	1	● Cover, Gearcase
18	0402-336	1	● Collar, Retaining	37	0402-333	1	● Plug, Fill (inc. 38)
19	0402-327	1	● Bearing	38	0423-154	1	● O-Ring
20	0402-424	AR	● Shim	39	0402-147	1	Bladder, Gearcase
	0402-425	AR	● Shim	40	0423-315	1	Clamp, Fitting
	0402-426	AR	● Shim	41	3423-010	2	Screw, Cap
	0402-427	AR	● Shim	42	8428-002	2	Nut, Lock
	0402-428	AR	● Shim	43	3004-491	6	Nut
21	0402-420	1	● Fork, Selector	44	3423-182	6	Screw, Cap
22	0402-417	1	● Shaft, Shuttle	45	3435-007	1	Coupler, Propeller Shaft
23	0423-147	1	● O-Ring	46	0502-201	1	Shaft, Propeller
				47	0402-966	1	Boot, Propeller Shaft



## ENGINE AND RELATED PARTS

0738-299

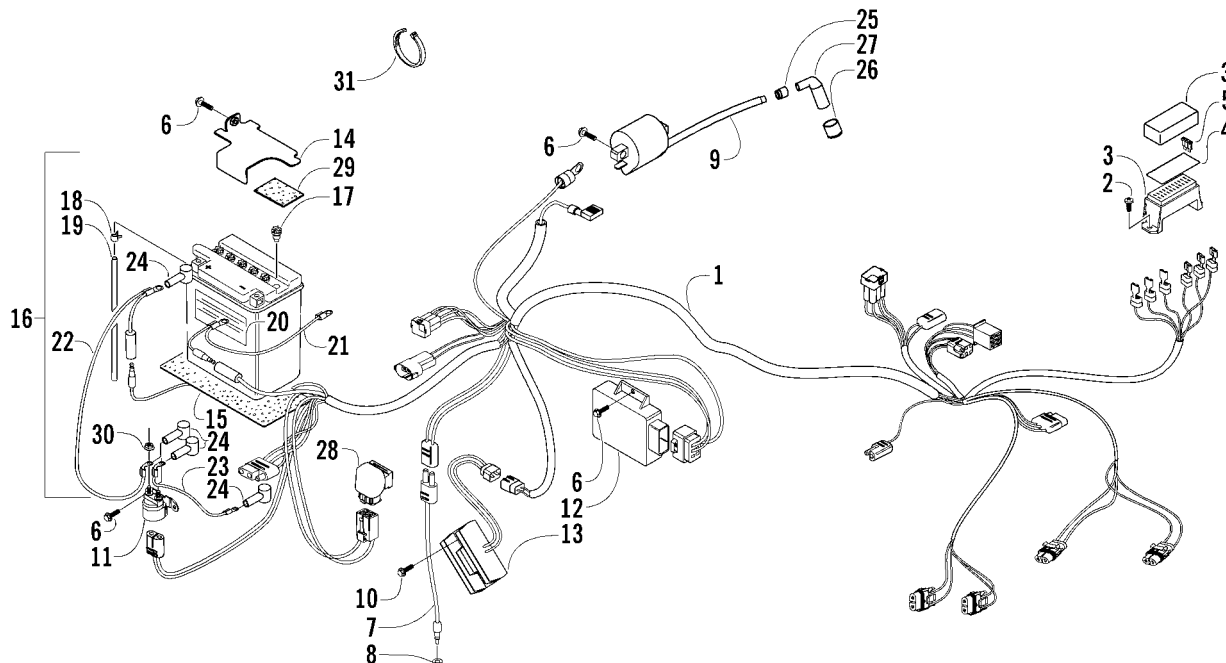
Ref.	Part No.	Qty.	Description	Ref.	Part No.	Qty.	Description
1	0462-012	1	Engine	15	0512-011	1	Muffler
	0462-016	1	Engine (4X4)	16	0423-092	1	Clamp, Exhaust
2	3402-263	4	Mount, Engine	17	8408-816	1	Screw, Cap
3	0402-231	1	Spacer, Engine Mount - Long	18	0512-093	1	Pipe, Exhaust
4	0402-232	1	Spacer, Engine Mount - Short	19	0412-023	1	Cover, Exhaust
5	8422-202	1	Nut	20	8477-610	4	Screw, Cap
6	3423-236	1	Screw, Cap	21	0412-024	1	Cover, Exhaust - Rear
7	3402-264	2	Mount, Engine	22	8408-812	3	Screw, Cap
8	0506-189	1	Sub-Frame	23	0612-887	2	Gasket, Exhaust
9	3402-232	4	Mount, Engine	24	0512-077	1	Coupler, Exhaust
10	8050-272	4	Washer	25	0123-321	3	Spring, Extension
11	3423-235	2	Screw, Cap	26	0512-008	1	Pipe, Header
12	8422-002	2	Nut	27	8424-802	2	Nut
13	0406-320	2	Cap, Sub-Frame	28	3402-300	1	Seal, Exhaust Pipe
14	0423-481	6	Screw, Cap				



## OIL COOLER ASSEMBLY

0739-472

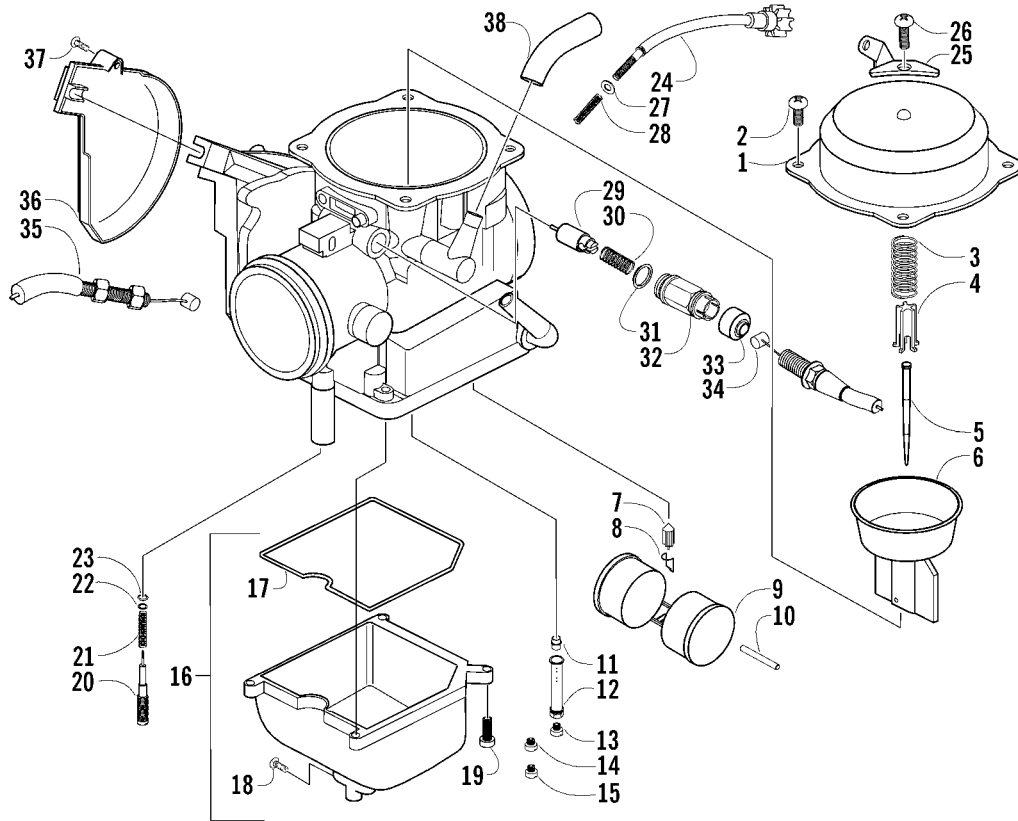
Ref.	Part No.	Qty.	Description	Ref.	Part No.	Qty.	Description
1	0413-011	1	Cooler, Oil	6	0410-007	1	Hose, Oil - Input
2	0423-086	4	Grommet	7	0410-012	1	Fitting, Oil - Angled
3	0423-484	4	Screw, Shoulder	8	0410-013	1	Fitting, Oil
4	0410-006	1	Hose, Oil - Output	9	8471-616	4	Screw, Cap
5	0423-098	4	Clamp, Hose	10	0423-089	2	O-Ring, Oil Fitting



## ELECTRICAL COMPONENTS

0738-685

Ref.	Part No.	Qty.	Description	Ref.	Part No.	Qty.	Description
1	0486-088	1	Harness, Main	16	0745-040	1	Battery (inc. 17-20)
2	0623-361	2	Screw, Self-Tapping	17	0645-045	6	● Cap, Battery
3	0530-003	1	Fuse Box Assembly	18	0645-152	1	● Clamp, Hose
4	0411-404	1	Decal, Fuse Box	19	0645-263	1	● Hose, Battery Vent
5	0630-057	4	Fuse, 10 Amp	20	0645-151	1	● Decal, Warning - Battery
	0630-058	1	Fuse, 15 Amp	21	0445-010	1	Cable, Battery/Ground
6	8476-616	7	Screw, Cap	22	0445-011	1	Cable, Battery/Starter Relay
7	0409-009	1	Switch, Brake	23	0445-012	1	Cable, Starter Relay/Starter
8	0402-991	1	Retainer, Brake Switch	24	0645-019	4	Boot, Terminal - Battery
9	3530-025	1	Coil, Ignition	25	3430-009	1	Seal, High Tension Wire
10	8476-620	2	Screw, Cap	26	3430-026	1	Seal, Spark Plug
11	3530-013	1	Relay, Starter	27	3430-007	1	Cap, Spark Plug
12	3530-024	1	CDI Unit	28	3530-026	1	Relay, Neutral Start
13	3530-034	1	Regulator, Voltage	29	0417-003	1	Foam, Battery Bracket
14	0506-958	1	Bracket, Battery	30	0624-250	2	Nut, Starter Relay
15	0406-380	1	Pad, Battery	31	0123-788	AR	Cable Tie - 7 in.



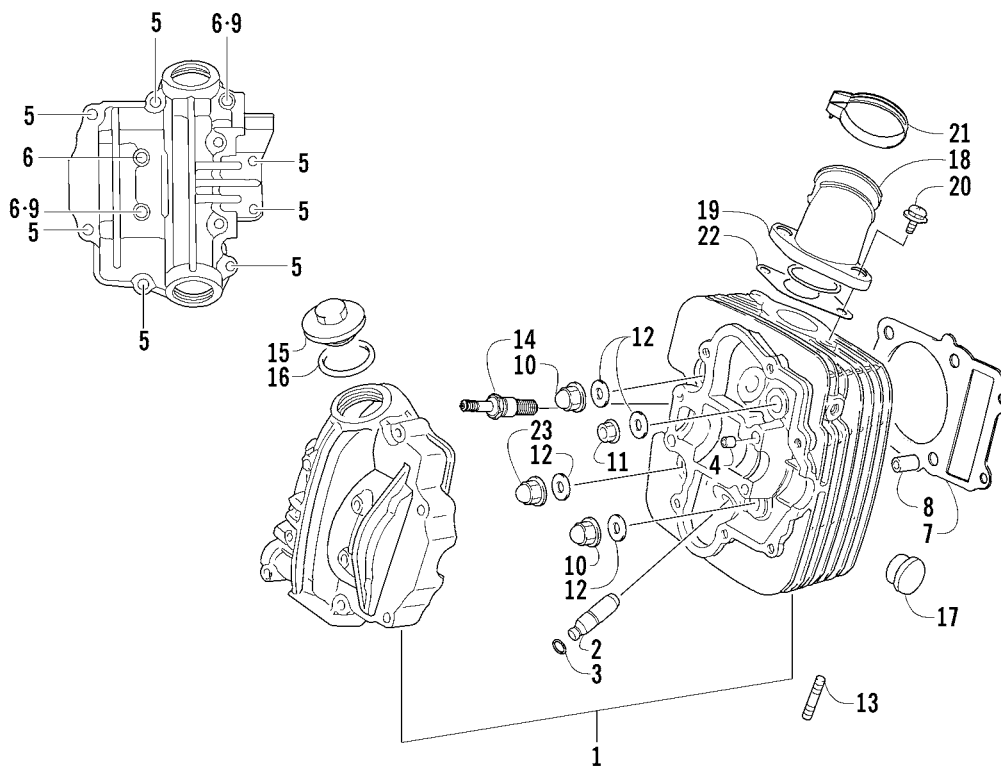
## CARBURETOR

(Complete Assembly p/n 0470-387)

0738-346 \*Not a Service Part \*\*Optional

Ref.	Part No.	Qty.	Description	Ref.	Part No.	Qty.	Description
1	5507-001	1	Cover, Top	17	5507-068	1	● O-Ring, Float Chamber
2	5507-002	3	Screw, Top Cover	18	5507-050	1	● Plug, Drain
3	5507-052	1	Spring	19	5507-089	4	Screw
4	5507-054	1	Spring, Seat	20	5507-040	1	Screw, Pilot Air - Set (inc. 21-23)
5	5507-055	1	Jet Needle	21	*	1	● Spring
6	5507-053	1	Piston, Vacuum	22	*	1	● Washer
7	5507-038	1	Valve, Float - Set (inc. 8)	23	*	1	● O-Ring
8	*	1	● Clip	24	5507-059	1	Screw, Idle Adjust (inc. 25)
9	5507-039	1	Float Set (inc. 10)	25	*	1	● Bracket, Idle Adjust Screw
10	*	1	● Pin, Float	26	5507-035	1	Screw
11	5507-056	1	Needle Jet	27	5507-028	1	Washer
12	5507-047	1	Holder, Needle Jet	28	5507-029	1	Spring
13	5507-088	1	Main Jet - 138	29	5507-022	1	Valve, Starter
	5507-057	1	Main Jet - 135**	30	5507-023	1	Spring
	5507-041	1	Main Jet - 147**	31	5507-024	1	O-Ring
	5507-042	1	Main Jet - 145**	32	5507-025	1	Cap
	5507-043	1	Main Jet - 142**	33	5507-026	1	Cap, Rubber
	5507-044	1	Main Jet - 140**	34	0487-017	1	Cable, Choke
	5507-009	1	Main Jet - 150**	35	0487-019	1	Cable, Throttle
14	5507-010	1	Slow Jet	36	5507-036	1	Cover
15	5507-090	1	Starter Jet - 60	37	5507-037	1	Screw
16	5507-064	1	Chamber, Float - Assembly (inc. 17-18)	38	5507-083	1	Tube, Vinyl

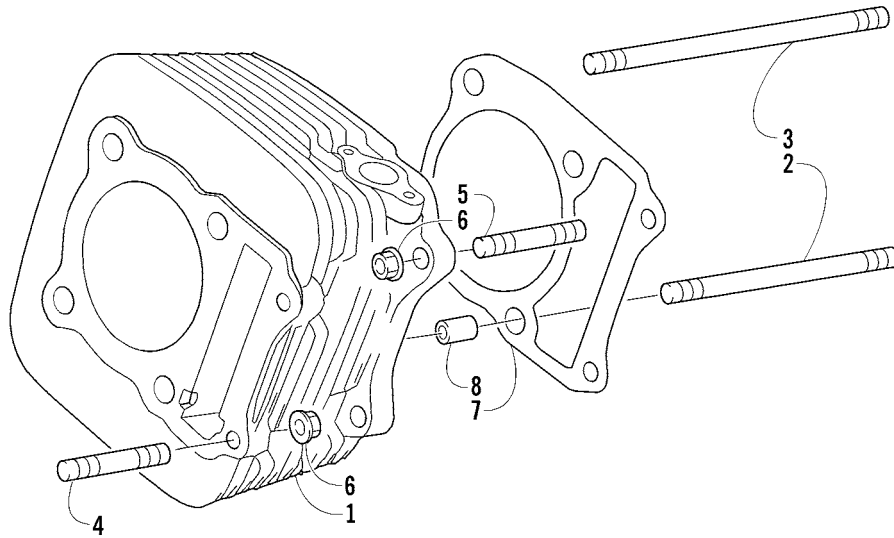




## CYLINDER HEAD ASSEMBLY

0736-195

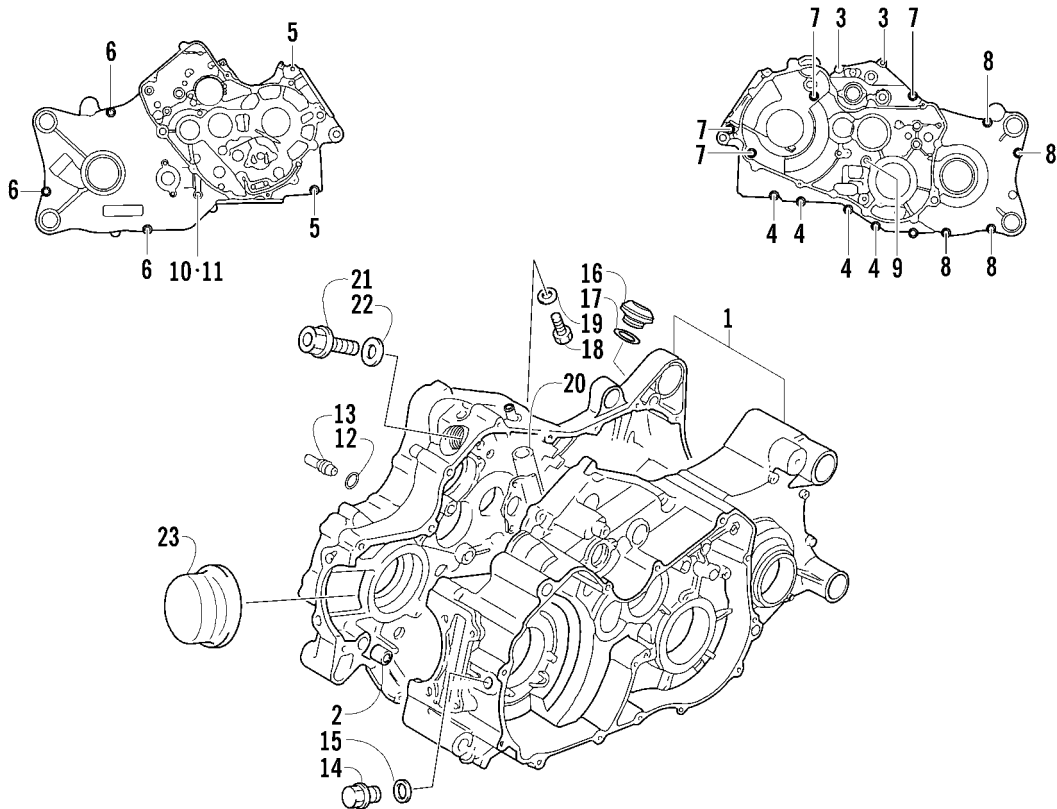
Ref.	Part No.	Qty.	Description	Ref.	Part No.	Qty.	Description
1	3402-407	1	Head, Cylinder - Assembly (inc. 2-6)	13	3004-279	2	Bolt, Stud
2	3402-247	2	● Guide, Valve	14	0217-713	1	Spark Plug (NGK DR7EA)
3	3423-068	2	● Ring, Valve Guide	15	3402-249	2	Cap, Inspection
4	3423-043	2	● Pin, Dowel	16	3423-275	2	O-Ring
5	3004-426	7	● Screw, Cap	17	3402-213	1	Plug, Head
6	3423-304	3	● Screw, Cap	18	3402-533	1	Pipe, Intake
7	3402-408	1	Gasket, Cylinder Head	19	3423-276	1	O-Ring
8	3004-822	2	Pin, Dowel	20	3423-305	2	Screw
9	3003-290	2	Gasket	21	0423-317	1	Clamp
10	3423-257	2	Nut	22	3402-298	1	Gasket, Intake Pipe
11	3004-326	1	Nut	23	3423-357	1	Nut
12	3005-243	4	Gasket		3004-326	1	Nut (4X4)



## CYLINDER ASSEMBLY

0737-814

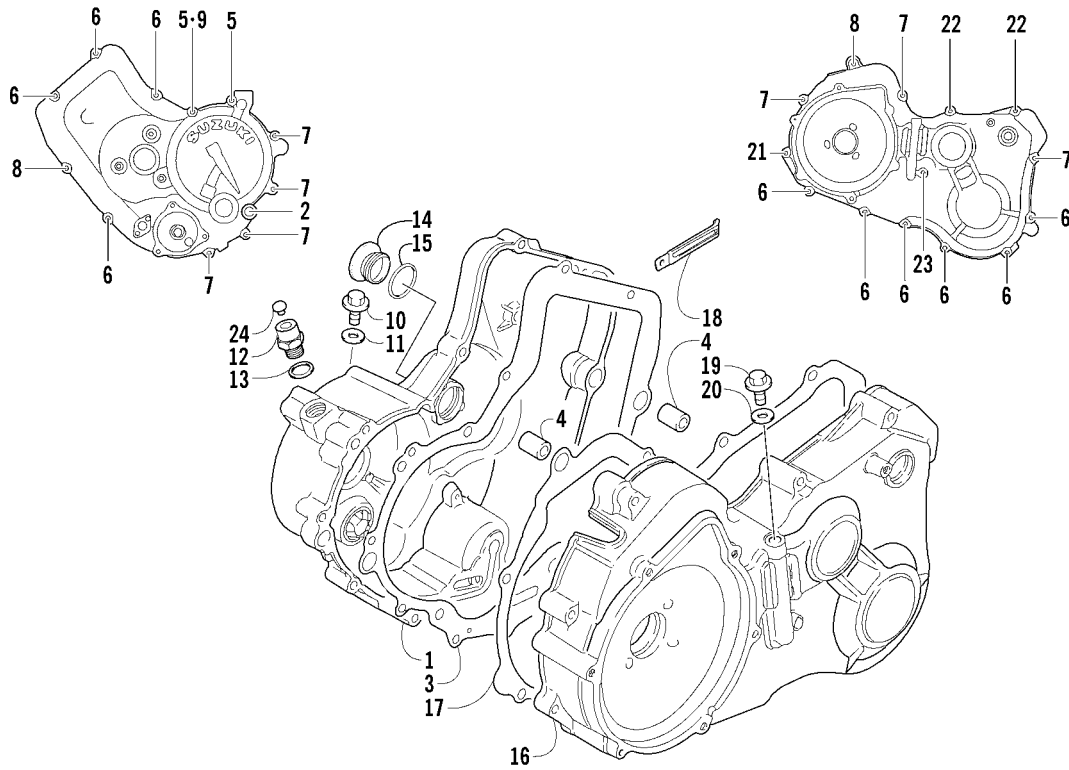
Ref.	Part No.	Qty.	Description	Ref.	Part No.	Qty.	Description
1	3402-409	1	Cylinder	5	3423-237	2	Bolt, Stud
2	3423-365	2	Bolt, Stud	6	3004-488	4	Nut
3	3423-364	2	Bolt, Stud	7	3402-410	1	Gasket, Cylinder
4	3423-089	2	Bolt, Stud	8	3423-306	2	Pin, Dowel



## CRANKCASE ASSEMBLY

0737-815

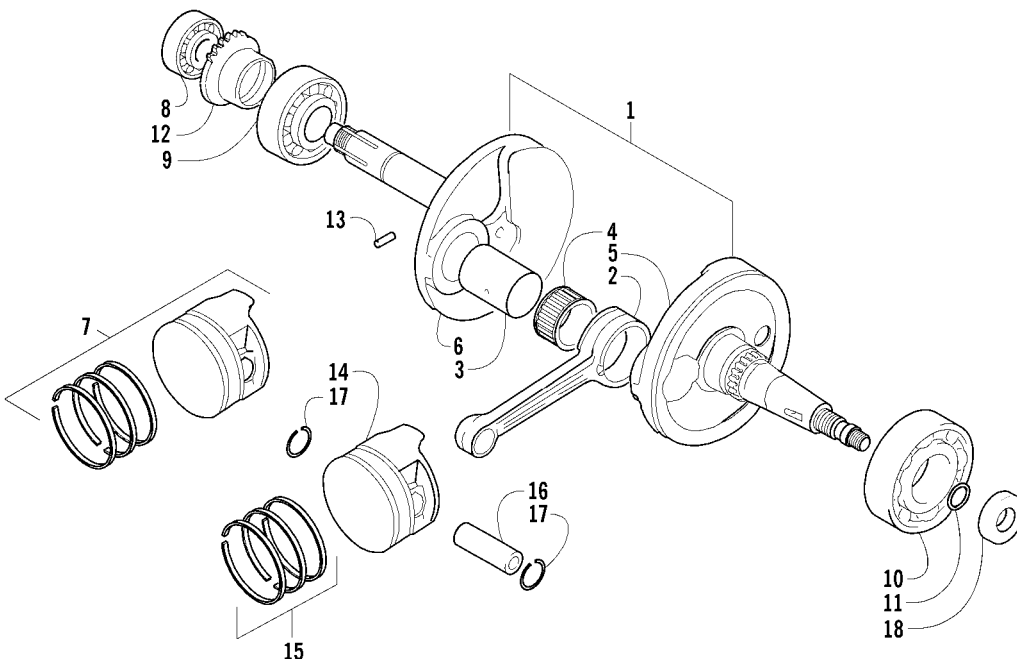
Ref.	Part No.	Qty.	Description	Ref.	Part No.	Qty.	Description
1	3402-528	1	Crankcase Set (inc. 2-13)	13	3402-245	1	● Jet, Oil Gallery
2	3423-088	2	● Pin, Dowel	14	3402-214	1	Plug
3	3423-162	2	● Screw, Cap	15	3402-012	1	Gasket
4	3423-098	4	● Screw, Cap	16	3402-212	1	Cap, Oil Filler
5	3423-091	2	● Screw, Cap	17	3423-274	1	O-Ring
6	3423-307	3	● Screw, Cap	18	3402-404	1	Plug, Oil Drain
7	3423-308	4	● Screw, Cap	19	3402-011	1	Gasket
8	3423-094	4	● Screw, Cap	20	3402-413	1	Pipe, Breather
9	3423-232	1	● Screw, Cap		3402-530	1	Pipe, Breather (4X4)
10	3423-234	1	● Screw, Cap	21	3402-258	1	Plug, Reverse Switch Hole
11	3005-243	1	● Gasket	22	3423-271	1	O-Ring
12	3423-051	1	● O-Ring, Oil Gallery Jet	23	3423-208	1	Plug, Crankcase (2X4)



## CRANKCASE COVER ASSEMBLY

0738-706

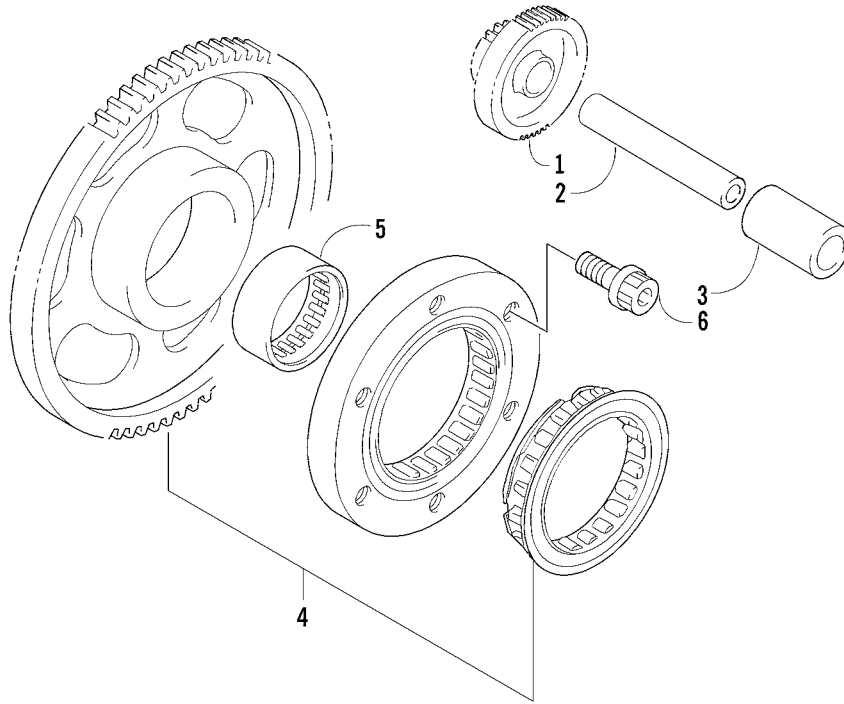
Ref.	Part No.	Qty.	Description	Ref.	Part No.	Qty.	Description
1	<u>3403-002</u>	1	Cover, Clutch (inc. 2)	13	<u>3403-004</u>	1	Gasket
2	3402-112	1	● Lens, Oil Inspection	14	3402-215	1	Cap, Clutch Adjust
3	3402-280	1	Gasket	15	3423-274	1	O-Ring
4	3423-088	4	Pin, Dowel	16	3402-256	1	Cover, Transfer
5	3423-231	2	Bolt	17	3402-262	1	Gasket, Transfer Cover
6	0693-327	10	Bolt	18	0693-274	2	Clamp, Breather Hose
7	3423-098	7	Bolt	19	3004-339	1	Plug, Oil Gallery
8	3423-307	2	Bolt	20	3003-290	1	Gasket
9	3003-290	1	Gasket	21	3004-756	1	Screw, Cap
10	3004-705	2	Plug, Oil Gallery	22	3423-091	2	Screw, Cap
11	3005-242	2	Gasket	23	3423-308	1	Screw, Cap
12	<u>3403-003</u>	1	Plug, Oil Gallery	24	3402-405	1	Cap, Oil Gallery Plug



## CRANKSHAFT ASSEMBLY

0737-817

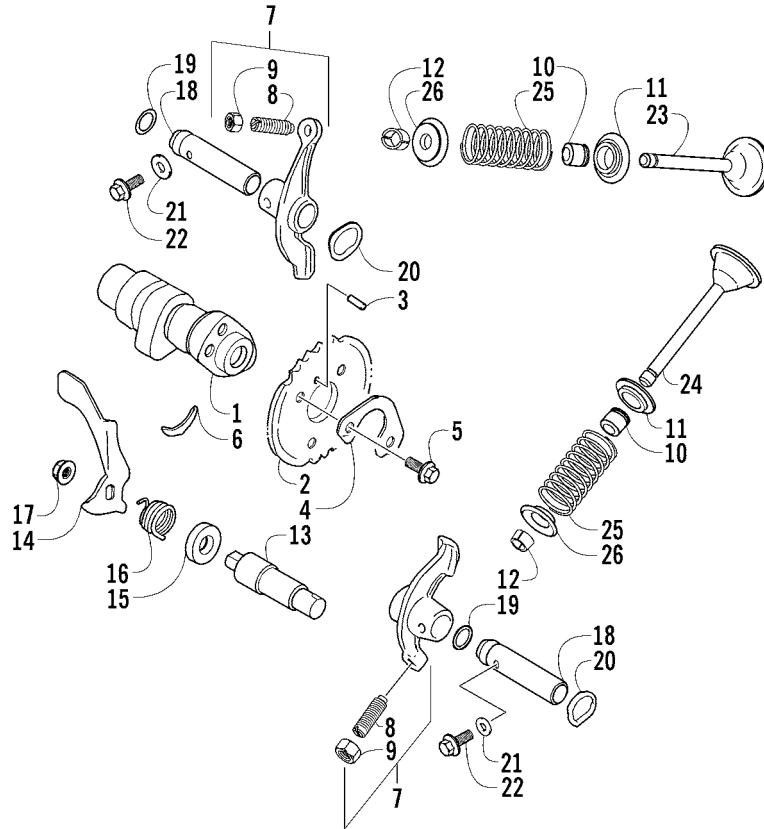
Ref.	Part No.	Qty.	Description	Ref.	Part No.	Qty.	Description
1	3402-419	1	Crankshaft Assembly (inc. 2-6)	11	3423-053	1	O-Ring
2	3402-418	1	● Rod, Connecting	12	3402-428	1	Gear, Oil Pump Drive
3	3402-529	1	● Pin, Crank	13	3423-114	1	Pin
4	3402-406	1	● Bearing	14	3402-415	1	Piston
5	3402-421	1	● Crankshaft - Left	15	3402-416	1	Ring, Piston - Set
6	3402-420	1	● Crankshaft - Right		3436-013	1	Ring, Piston - Set (Oversized 0.50 mm)
7	3402-423	1	Piston Set (Oversized 0.50 mm)		3436-014	1	Ring, Piston - Set (Oversized 1.00 mm)
	3402-424	1	Piston Set (Oversized 1.00 mm)	16	3402-417	1	Pin, Piston
8	3402-216	1	Bearing - Right	17	3423-366	2	Circlip
9	3402-221	1	Bearing - Middle	18	3402-227	1	Seal, Oil
10	3402-180	1	Bearing - Left				



## STARTER CLUTCH ASSEMBLY

0733-748

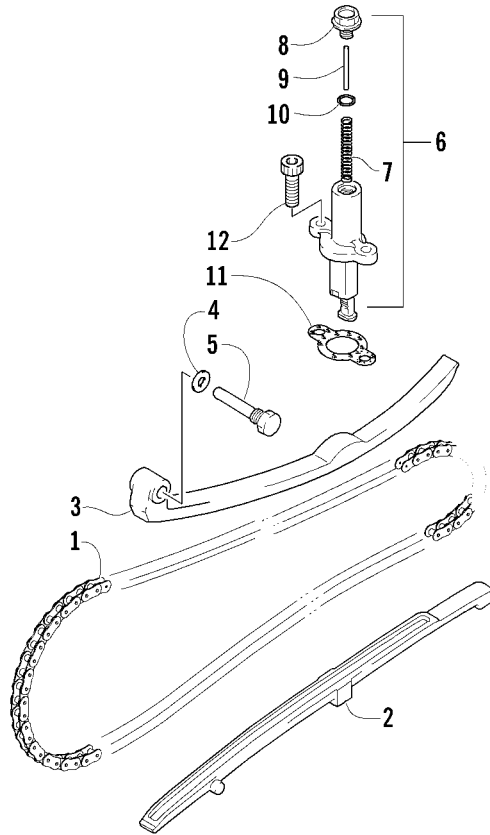
Ref.	Part No.	Qty.	Description	Ref.	Part No.	Qty.	Description
1	3402-274	1	Gear, Starter Idler	4	3402-273	1	Clutch Set, Starter (inc. 5)
2	3423-267	1	Pin	5	3402-222	1	● Bearing
3	3402-145	1	Spacer	6	3423-309	3	Screw, Cap



## CAMSHAFT/VALVE ASSEMBLY

0733-749

Ref.	Part No.	Qty.	Description	Ref.	Part No.	Qty.	Description
1	3402-397	1	Camshaft	14	3402-296	1	Lever, Decompression
2	3402-427	1	Sprocket	15	3402-225	1	Seal, Oil
3	3423-047	1	Pin	16	3402-242	1	Spring
4	3423-284	1	Washer	17	3004-326	1	Nut
5	3423-013	2	Screw	18	3402-289	2	Shaft, Rocker Arm
6	3423-071	1	C-Ring	19	3423-052	2	O-Ring
7	3402-288	2	Arm, Valve Rocker (inc. 8-9)	20	3423-259	2	Washer
8	3423-287	2	● Screw, Cap	21	3003-290	2	Gasket
9	3423-288	2	● Nut	22	3004-376	2	Screw, Cap
10	3402-226	2	Seal, Oil	23	3402-290	1	Valve, Intake
11	3402-403	2	Seat, Valve Spring	24	3402-291	1	Valve, Exhaust
12	0693-281	4	Cotter, Valve	25	3402-401	2	Spring, Valve - Set
13	3402-295	1	Shaft, Decompression Lever	26	3402-402	2	Retainer, Spring

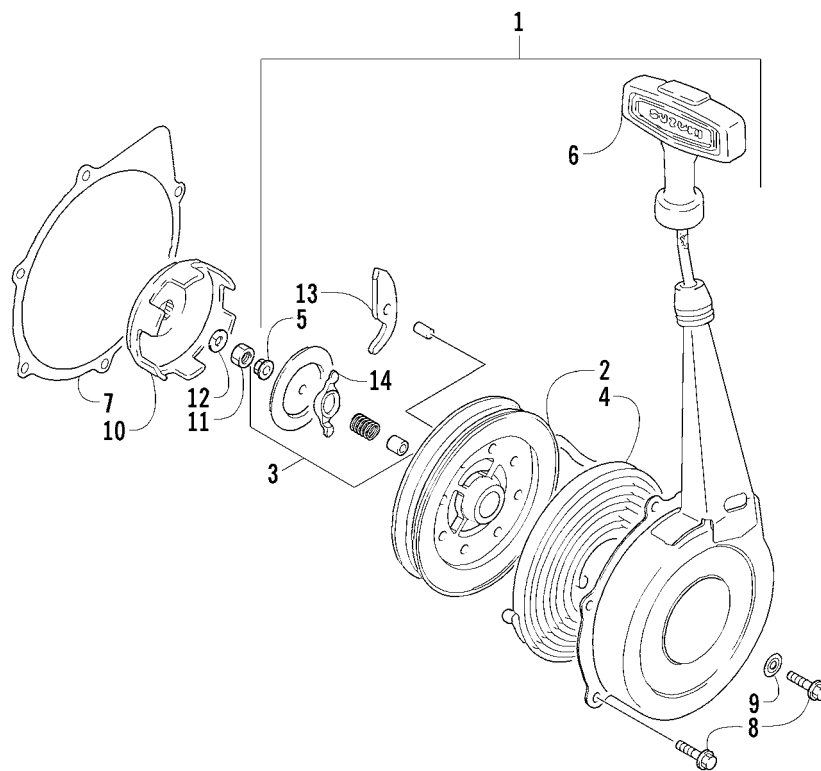


## CAM CHAIN ASSEMBLY

0733-750

Ref.	Part No.	Qty.	Description	Ref.	Part No.	Qty.	Description
1	3402-398	1	Chain, Camshaft	7	3402-284	1	● Spring
2	3402-399	1	Guide, Camshaft Chain	8	3402-285	1	● Plug
3	3402-400	1	Tensioner, Camshaft Chain	9	3402-286	1	● Bar
4	3423-074	1	Screw, Cap	10	3423-286	1	● O-Ring
5	3003-188	1	Washer	11	3402-287	1	Gasket, Adjuster
6	3402-283	1	Adjuster, Tensioner - Assembly (inc. 7-10)	12	3004-576	2	Screw, Cap

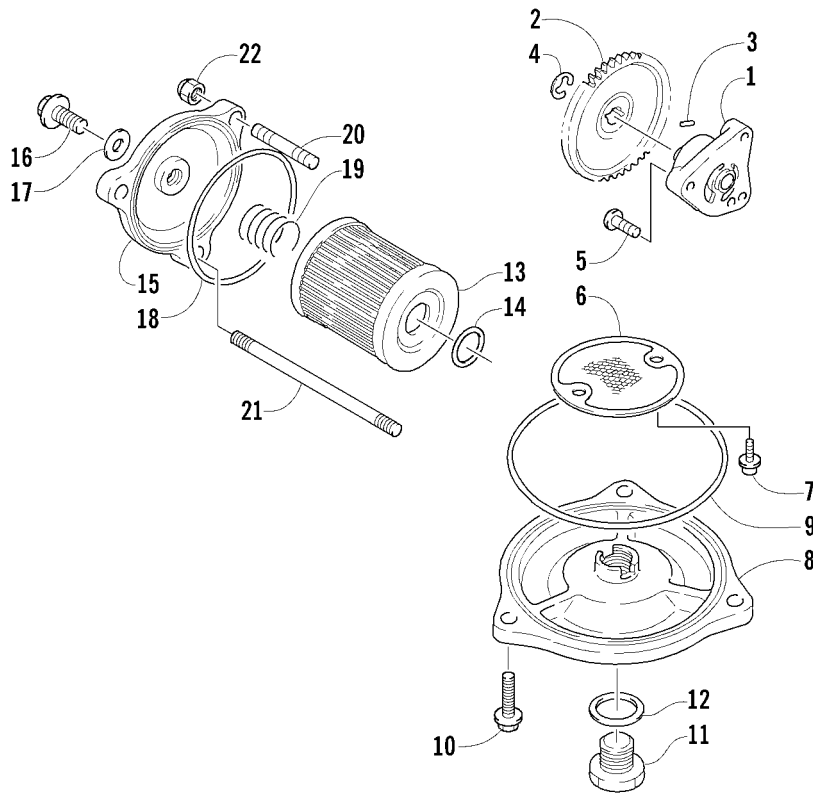




## RECOIL STARTER ASSEMBLY

0736-194

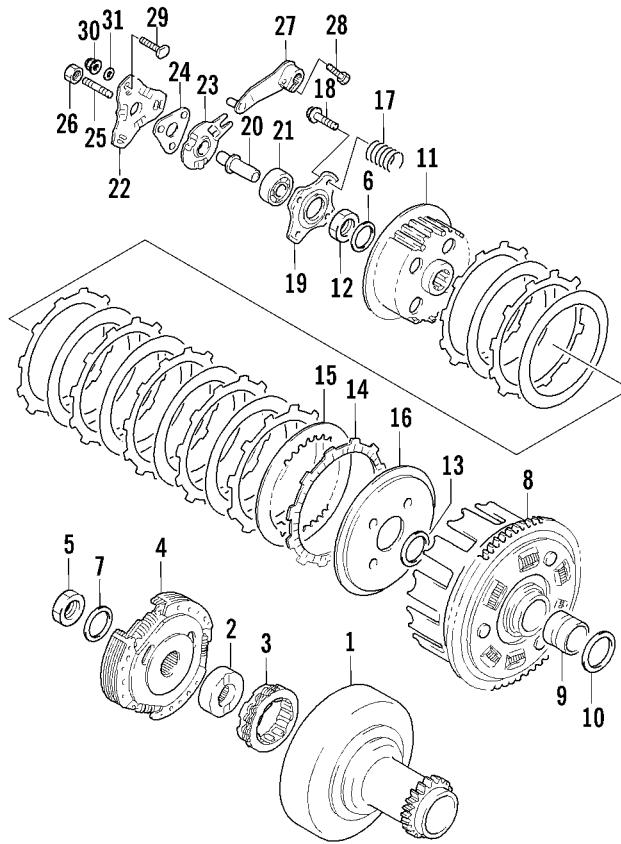
Ref.	Part No.	Qty.	Description	Ref.	Part No.	Qty.	Description
1	3445-018	1	Starter, Recoil - Assembly (inc. 2-6 and 13-14)	8	3423-112	6	Screw, Cap
2	3445-019	1	● Reel	9	3003-290	1	Gasket
3	3445-016	1	● Ratchet - Assembly (inc. 13-14)	10	3445-022	1	Cup, Starter
4	3445-007	1	● Spring, Spiral	11	3004-336	1	Nut
5	3004-488	1	● Nut	12	3004-362	1	Washer, Lock
6	3445-020	1	● Rope Assembly	13	3445-005	1	Ratchet
7	3445-021	1	Gasket, Recoil Starter	14	3445-006	1	Guide, Ratchet



## OIL PUMP ASSEMBLY

0733-752

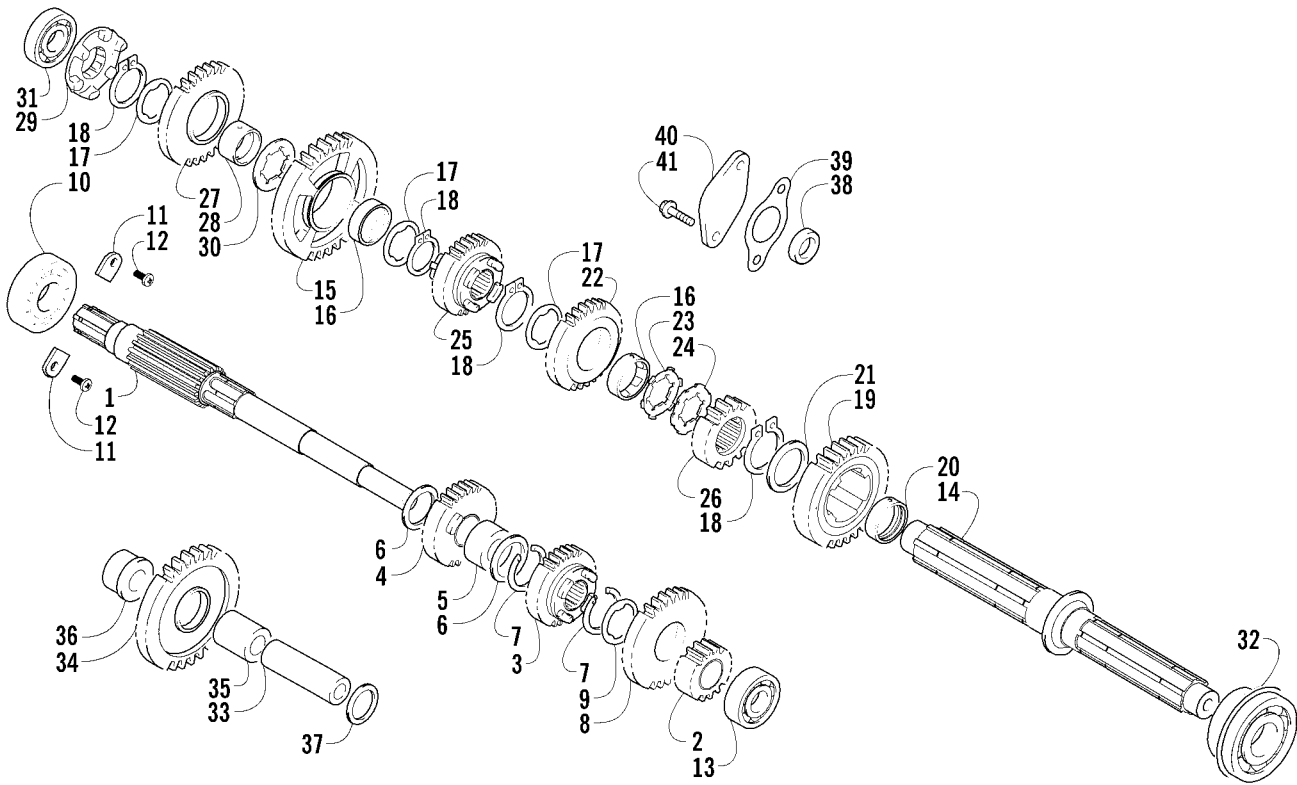
Ref.	Part No.	Qty.	Description	Ref.	Part No.	Qty.	Description
1	3445-017	1	Pump, Oil	12	3402-012	1	Gasket
2	3402-302	1	Gear, Driven	13	3436-005	1	Filter, Oil
3	3423-285	1	Pin	14	3423-270	1	O-Ring
4	3423-168	1	Circlip	15	3402-303	1	Cap, Oil Filter
5	3004-402	3	Screw, Cap	16	3004-705	1	Plug, Oil Check
6	3402-304	1	Strainer, Oil	17	3005-242	1	Gasket
7	0693-389	2	Screw, Cap	18	3423-277	1	O-Ring
8	3402-305	1	Cap, Oil Strainer	19	3402-238	1	Spring
9	3423-278	1	O-Ring	20	3423-314	2	Bolt, Stud
10	3004-507	3	Screw, Cap	21	3004-543	1	Bolt, Stud
11	3402-037	1	Plug, Drain	22	3423-315	3	Nut



## CLUTCH ASSEMBLY

0733-753

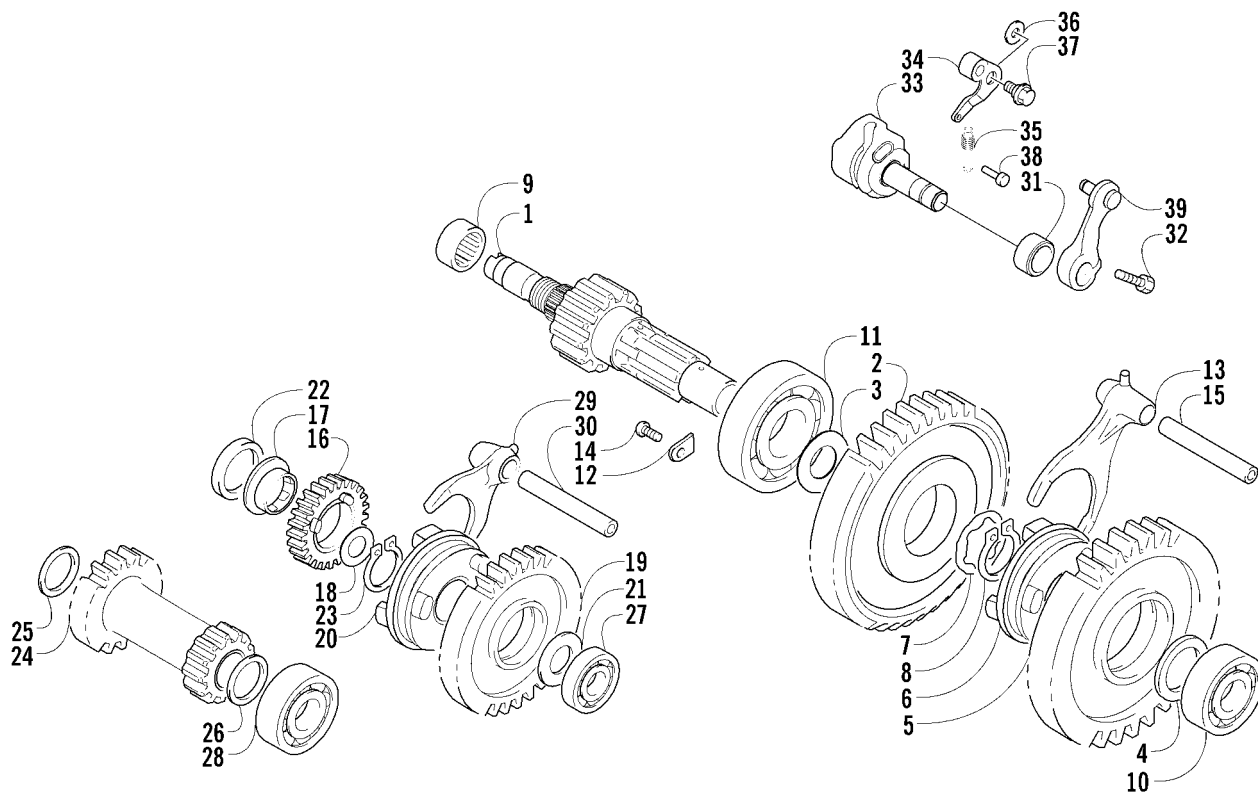
Ref.	Part No.	Qty.	Description	Ref.	Part No.	Qty.	Description
1	3446-253	1	Gear, Primary Drive	17	3402-239	4	Spring
2	3446-129	1	Race, Inner	18	3004-341	4	Screw, Cap
3	3446-122	1	Clutch, One Way	19	3446-127	1	Plate, Release
4	3446-257	1	Clutch Assembly	20	3446-130	1	Rod, Push
5	3423-253	1	Nut	21	3402-043	1	Bearing
6	3423-032	1	Washer, Lock	22	3446-133	1	Guide, Ball - Outer
7	3423-260	1	Washer, Lock	23	3446-131	1	Guide, Ball - Inner
8	3446-254	1	Gear, Primary - Assembly	24	3446-134	1	Ball, Release
9	3402-206	1	Spacer	25	3423-248	1	Screw, Adjuster
10	3402-211	1	Washer	26	3423-022	1	Nut, Adjuster
11	3446-255	1	Hub, Clutch	27	3446-132	1	Arm, Release
12	3423-254	1	Nut	28	3423-125	1	Screw, Cap
13	3423-316	1	Washer	29	3423-245	3	Screw, Cap
14	3446-124	7	Plate, Drive	30	0693-316	3	Nut
15	3446-125	6	Plate, Driven	31	3003-290	3	Seal, Cap Screw
16	3446-256	1	Plate, Clutch Pressure				



## TRANSMISSION ASSEMBLY

0737-818

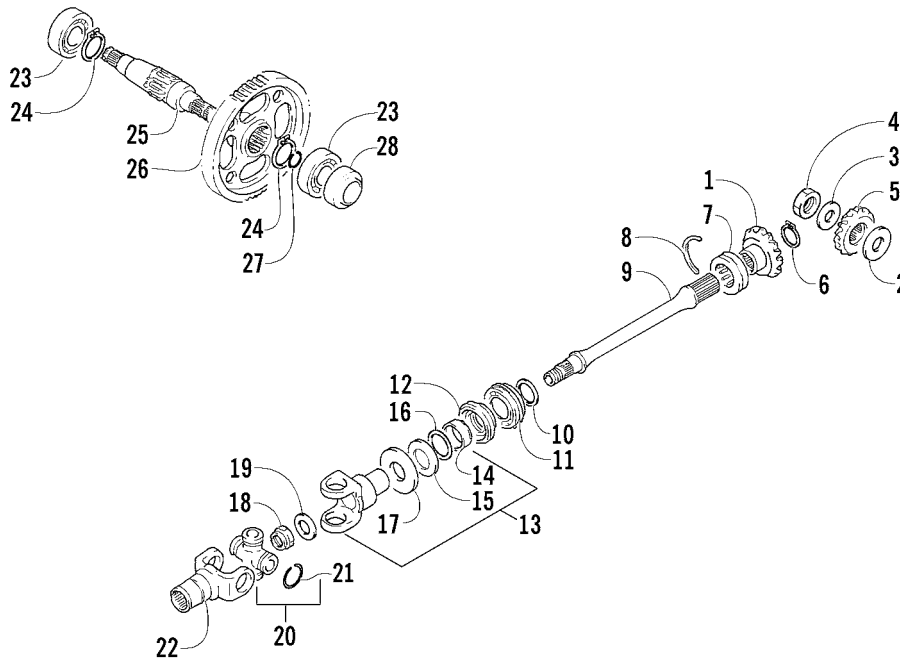
Ref.	Part No.	Qty.	Description	Ref.	Part No.	Qty.	Description
1	3446-135	1	Countershaft	22	3446-143	1	Gear, 3rd Driven
2	3446-137	1	Gear, 2nd Drive	23	3423-266	1	Washer, Lock
3	3446-138	1	Gear, 3rd Drive	24	3423-262	1	Washer, Lock
4	3446-139	1	Gear, 4th Drive	25	3446-146	1	Gear, 4th Driven
5	3402-229	1	Bushing	26	3446-147	1	Gear, 5th Driven
6	3402-210	2	Washer	27	3446-151	1	Gear, Reverse Driven
7	3423-279	2	Circlip	28	3446-145	1	Bushing
8	3446-140	1	Gear, 5th Drive	29	3446-152	1	Dog, Reverse
9	3423-261	1	Washer	30	3423-263	1	Washer
10	0691-374	1	Bearing - Right	31	3402-218	1	Bearing - Right
11	3446-031	2	Retainer	32	3402-220	1	Bearing - Middle
12	3004-552	2	Screw	33	3446-148	1	Shaft, Reverse Idle
13	3402-224	1	Bearing - Middle	34	3446-149	1	Gear, Reverse Idle
14	3446-136	1	Driveshaft	35	3402-228	1	Bushing
15	3446-141	1	Gear, 1st Driven	36	3446-150	1	Spacer
16	3446-144	2	Bushing	37	3402-209	1	Washer
17	3423-036	3	Washer	38	3402-255	1	Plug, Cover - Hole
18	3423-066	4	Circlip	39	3446-244	1	Gasket, Cover Plug Retainer
19	3446-142	1	Gear, 2nd Driven	40	3446-260	1	Retainer, Cover Plug
20	3402-230	1	Bushing	41	3423-363	2	Bolt, Retainer
21	3423-317	1	Washer				



## SECONDARY TRANSMISSION ASSEMBLY

0737-819

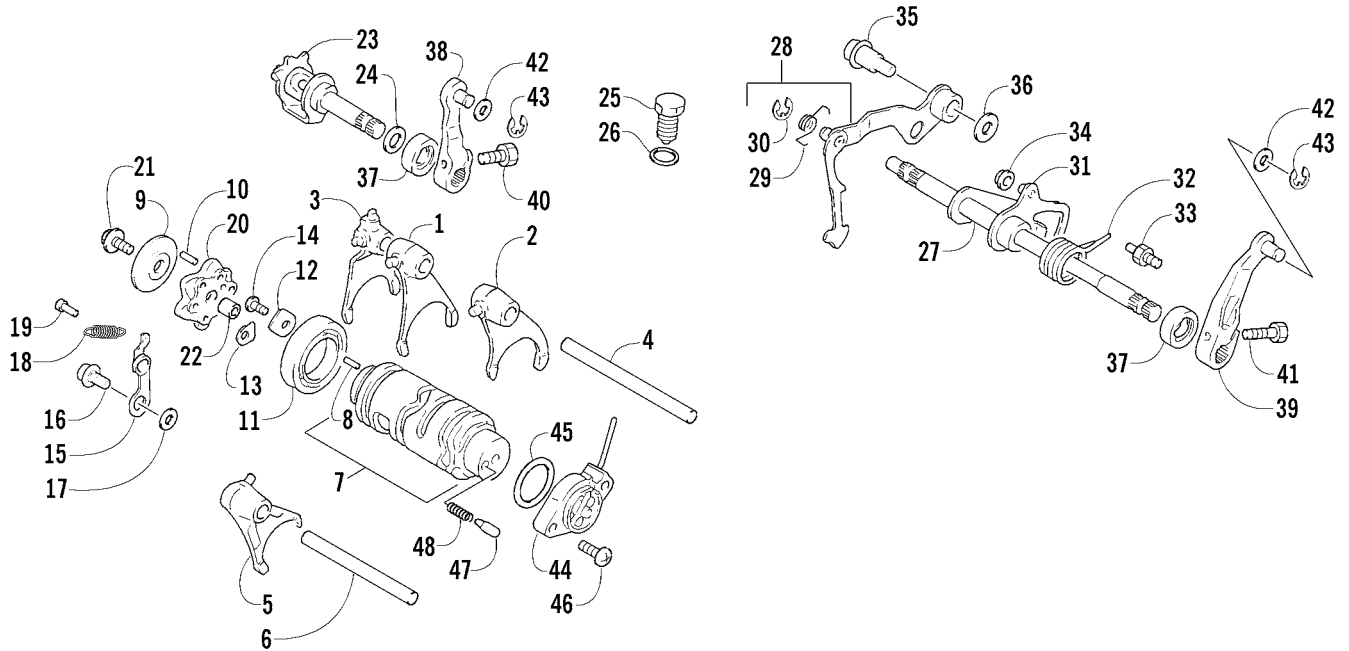
Ref.	Part No.	Qty.	Description	Ref.	Part No.	Qty.	Description
1	3446-179	1	Shaft, Sub-Transmission	20	3446-183	1	Dog, Drive Gear
	3446-206	1	Shaft, Sub-Transmission (4X4)	21	3402-195	1	Washer
2	3446-184	1	Gear, Driven	22	3402-207	1	Spacer
	3446-207	1	Gear, Driven (4X4)	23	3423-066	1	Circlip
3	3423-338	1	Washer - Right (4X4)	24	3446-272	1	Gear, Idler
4	3423-298	1	Washer - Left (4X4)	25	3402-205	1	Washer
5	3446-208	1	Gear, Driven (4X4)	26	3423-319	1	Washer
6	3446-209	1	Dog, Driven Gear (4X4)	27	3003-261	1	Bearing, Drive - Left
7	3423-317	1	Washer (4X4)	28	3402-217	1	Bearing, Countershaft - Left
8	3423-318	1	Circlip	29	3446-185	1	Fork
9	3402-278	1	Bearing - Right	30	3446-271	1	Shaft
10	3004-209	1	Bearing - Left	31	3402-076	1	Seal, Oil
11	3402-180	1	Bearing - Middle	32	3423-125	1	Screw, Cap
12	3446-031	2	Retainer	33	3446-186	1	Cam, Sub-Transmission Gear
13	3446-210	1	Fork (4X4)		3446-211	1	Cam, Sub-Transmission Gear (4X4)
14	3004-552	2	Screw	34	3446-187	1	Stopper
15	3446-230	1	Shaft (4X4)	35	3402-241	1	Spring
16	3446-181	1	Gear, Drive	36	3423-141	1	Washer
17	3446-259	1	Bushing	37	3423-240	1	Screw, Cap
18	3423-036	1	Washer	38	3423-268	1	Pin (4X4)
19	3446-182	1	Gear, Drive	39	3446-116	1	Arm



## SECONDARY GEAR/OUTPUT SHAFT ASSEMBLY

0738-705

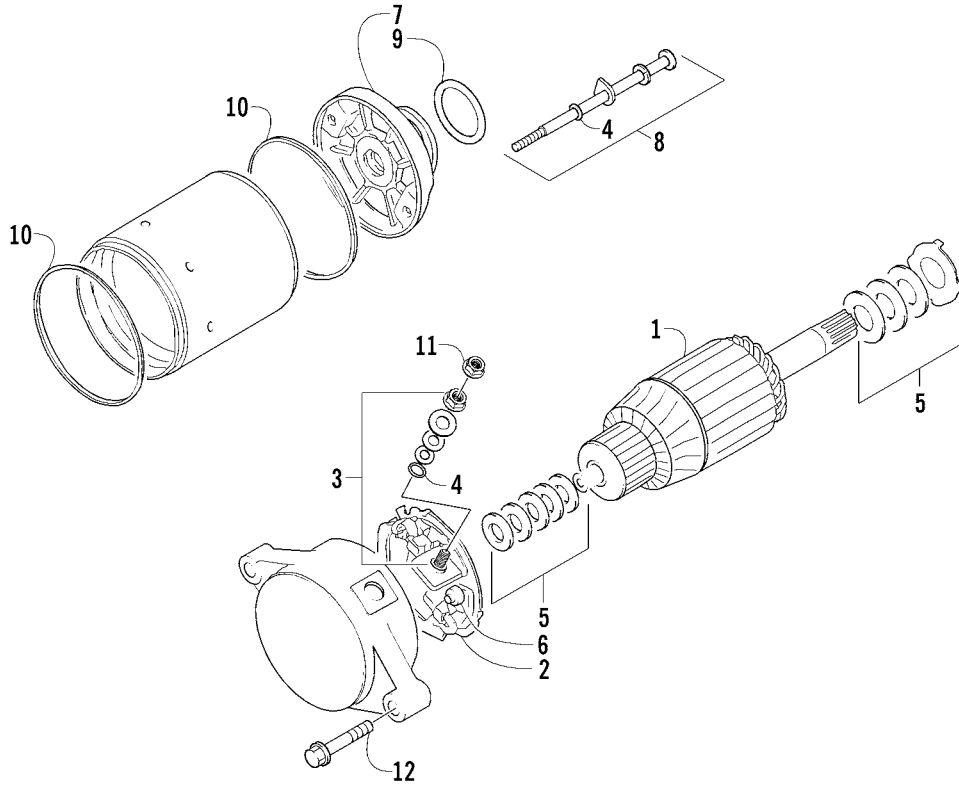
Ref.	Part No.	Qty.	Description	Ref.	Part No.	Qty.	Description
1	3446-269	1	Gear, Secondary Drive Bevel (4X4)	11	3402-067	1	Bearing, Front (4X4)
2	3446-035	1	Shim Set, Secondary Drive Bevel (4X4)	12	3402-072	1	Seal, Oil (4X4)
3	3423-032	1	Washer (4X4)	13	3435-001	1	Yoke, Output - Front (inc. 14-17) (4X4)
4	3423-254	1	Nut (4X4)	14	3435-029	1	● Collar (4X4)
5	3446-270	1	Gear, Secondary Driven Bevel (4X4)	15	3435-030	1	● Plate, Oil Seal (4X4)
6	3423-340	1	Circlip (4X4)	16	3423-060	1	● O-Ring (4X4)
7	3402-515	1	Bearing, Rear (4X4)	17	3423-035	1	● Plate (4X4)
8	3423-072	1	Ring (4X4)	18	3423-025	1	Nut (4X4)
9	3446-199	1	Shaft, Secondary Output (4X4)	19	3423-028	1	Washer (4X4)
10	3402-308	AR	Shim, 25 x 34 x 0.50 mm (4X4)	20	3435-011	1	Joint, Universal (inc. 21) (4X4)
	3402-017	AR	Shim, 25 x 34 x 0.60 mm (4X4)	21	3423-067	4	● Circlip (4X4)
	3402-018	AR	Shim, 25 x 34 x 0.65 mm (4X4)	22	3435-002	1	Yoke, Output Shaft Joint (4X4)
	3402-019	AR	Shim, 25 x 34 x 0.70 mm (4X4)	23	3402-219	2	Bearing
	3402-020	AR	Shim, 25 x 34 x 0.75 mm (4X4)	24	3423-321	2	Circlip
	3402-021	AR	Shim, 25 x 34 x 0.80 mm (4X4)	25	3446-176	1	Shaft, Rear Final Driven
	3402-022	AR	Shim, 25 x 34 x 0.85 mm (4X4)	26	3446-175	1	Gear, Driven
	3402-023	AR	Shim, 25 x 34 x 0.90 mm (4X4)	27	3423-281	2	Ring
	3402-024	AR	Shim, 25 x 34 x 0.95 mm (4X4)	28	3402-072	2	Seal, Oil
	3402-025	AR	Shim, 25 x 34 x 1.00 mm (4X4)				
	3402-028	AR	Shim, 25 x 34 x 1.05 mm (4X4)				
	3402-029	AR	Shim, 25 x 34 x 1.10 mm (4X4)				
	3402-030	AR	Shim, 25 x 34 x 1.15 mm (4X4)				
	3402-031	AR	Shim, 25 x 34 x 1.20 mm (4X4)				



## GEAR SHIFTING ASSEMBLY

0733-757

Ref.	Part No.	Qty.	Description	Ref.	Part No.	Qty.	Description
1	3446-155	1	Fork, Gear Shifting	25	3446-164	1	Stopper, Cam
2	3446-156	1	Fork, Gear Shifting	26	3402-012	1	Gasket
3	3446-159	1	Fork, Gear Shifting	27	3446-169	1	Shaft, Gear Shifting
4	3446-167	1	Shaft	28	3446-170	1	Arm, Gear Shifting (inc. 29-30)
5	3446-157	1	Fork, Gear Shifting	29	3402-312	1	● Spring
6	3446-051	1	Shaft	30	3423-368	1	● E-Ring
7	3446-160	1	Cam, Gear Shifting (inc. 8)	31	3446-171	1	Arm, Link
8	3423-114	1	● Pin	32	3402-094	1	Spring
9	3446-162	1	Retainer, Pin	33	3446-172	1	Stopper, Arm
10	3423-045	6	Pin	34	3402-132	1	Roller
11	3402-051	1	Bearing	35	3423-233	1	Screw, Cap
12	3446-163	1	Retainer	36	3423-324	1	Washer
13	3446-031	1	Retainer	37	3402-076	2	Seal, Oil
14	3004-552	2	Screw, Cap	38	3446-055	1	Arm
15	3446-165	1	Stopper, Cam	39	3446-115	1	Arm, Reverse Shift
16	3423-240	1	Screw, Cap	40	3423-125	1	Screw, Cap
17	3423-141	1	Washer	41	3423-228	1	Screw, Cap
18	3402-240	1	Spring	42	3423-204	2	Washer
19	3423-268	1	Pin	43	3423-168	2	E-Ring
20	3446-166	1	Plate, Stopper	44	3430-050	1	Base, Gear Shift - Assembly
21	3004-376	1	Screw, Cap	45	3423-273	1	O-Ring
22	3005-206	1	Pin	46	3423-325	2	Screw, Cap
23	3446-161	1	Cam, Reverse Shifting	47	3423-044	1	Contact
24	3423-322	1	Washer	48	3402-087	1	Spring



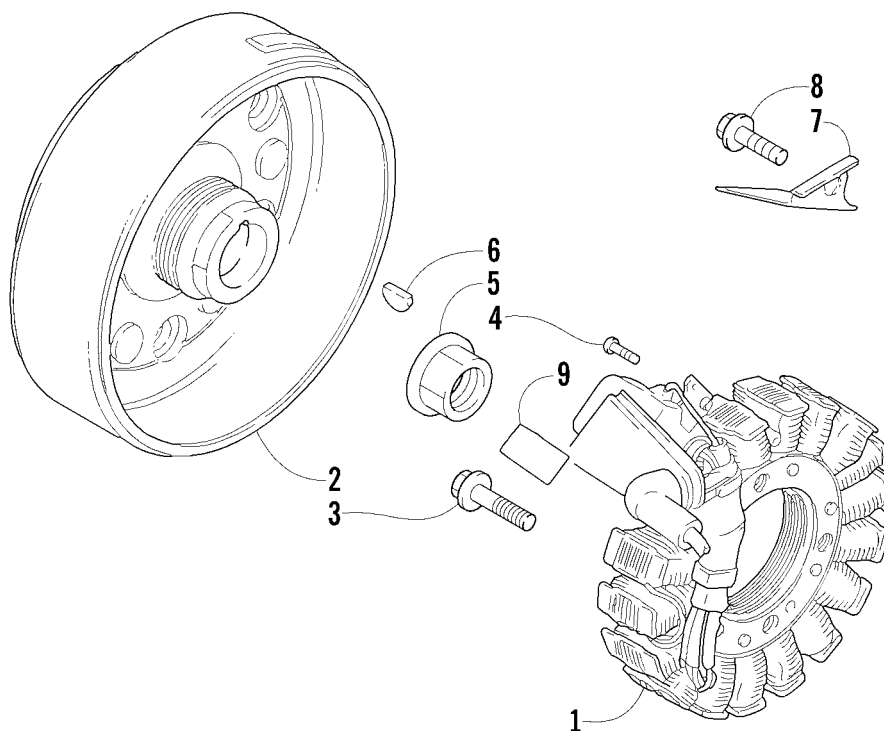
## STARTER MOTOR ASSEMBLY

(Complete Assembly p/n 3545-003)

0733-760

Ref.	Part No.	Qty.	Description	Ref.	Part No.	Qty.	Description
1	3008-554	1	Armature	7	3008-552	1	Bracket, Front - Assembly
2	3008-550	1	Holder Set, Brush	8	3423-289	2	Through-Bolt Set (inc. two No. 4)
3	3008-549	1	Terminal Set, Brush (inc. one No. 4)	9	3423-272	1	O-Ring
4	3008-164	3	● O-Ring	10	3008-553	2	O-Ring
5	3008-099	1	Washer Set	11	3423-195	1	Nut
6	3008-551	2	Spring, Brush	12	3004-756	2	Screw, Cap

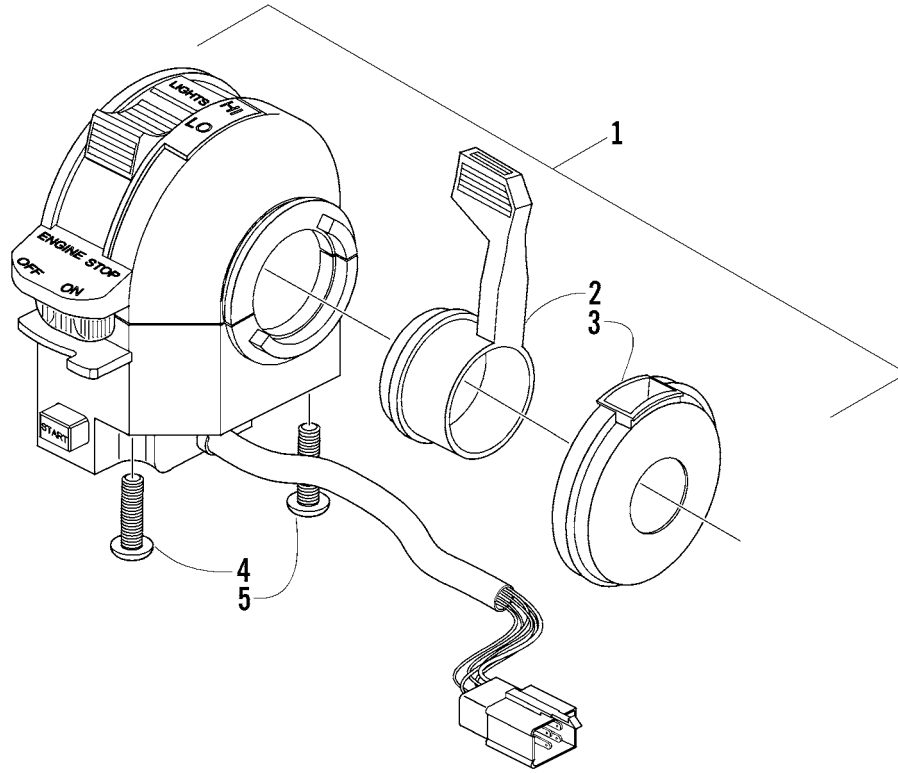




## MAGNETO ASSEMBLY

0733-761

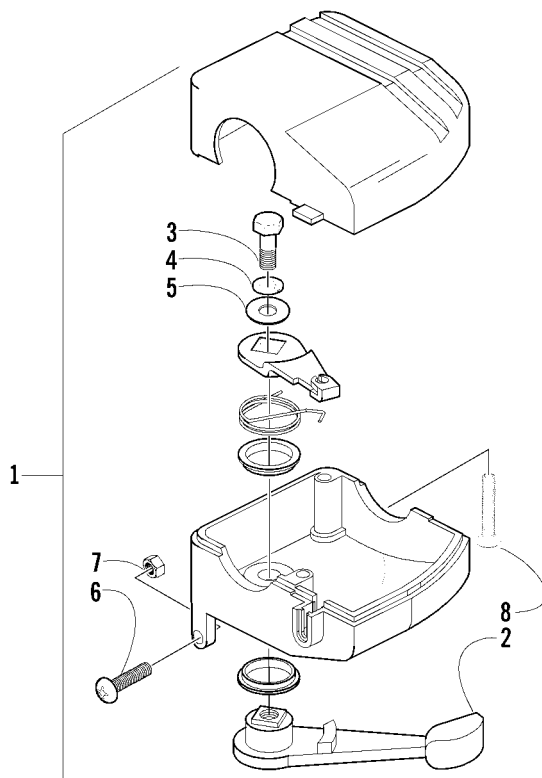
Ref.	Part No.	Qty.	Description	Ref.	Part No.	Qty.	Description
1	3430-021	1	Stator - Assembly	6	3004-540	1	Key
2	3430-039	1	Rotor/Flywheel	7	3430-023	1	Plate
3	3004-756	3	Bolt	8	3423-112	1	Screw, Cap
4	3423-326	2	Screw, Cap	9	3430-036	1	Shield, Heat Protection
5	3423-086	1	Nut				



## CONTROL SWITCH HOUSING ASSEMBLY

0737-650

Ref.	Part No.	Qty.	Description	Ref.	Part No.	Qty.	Description
1	3509-001	1	Switch, Control - Assembly (inc. 2-5)	4	3423-196	1	● Screw, Cap
2	3409-009	1	● Lever, Choke	5	3423-197	1	● Screw, Cap
3	3409-010	1	● Cover, Choke Lever				



## THROTTLE CASE ASSEMBLY

0737-633

Ref.	Part No.	Qty.	Description	Ref.	Part No.	Qty.	Description
1	3509-003	1	Case, Throttle - Assembly (inc. 2-8)	5	3003-030	1	● Washer
2	3409-001	1	● Lever	6	3423-014	1	● Screw
3	3004-533	1	● Screw, Cap	7	3423-327	1	● Nut
4	3004-447	1	● Washer, Lock	8	3423-199	2	● Screw

# RELATED ITEMS

## 2005 ATV 250

2x4 Red (Model No. A2005ATE2AUSR)

4x4 Red (Model No. A2005ATE4AUSR)

2x4 Green (Model No. A2005ATE2AUSG)

4x4 Green (Model No. A2005ATE4AUSG)

0436-337	Bag, Rack, Front, Black	0436-005	Oil, Engine - 10W40
0436-336	Bag, Rack, Rear, Black	0436-003	Oil, Engine - 5W30
0436-340	Bag, Fender, Black	0436-349	Rack Extension, 4 in. (Front)
0436-351	Basket, Rack, Front	0436-225	Rack Extension, 4 in. (Rear)
0436-350	Basket, Rack, Rear	0436-226	Rack Extension, 8 in. (Rear)
0436-330	Bumper (Rear)	0436-181	Skid Plate (Rear)
0436-454	Cargo Box	0436-228	Snowplow Blade, 50 in. - Straight (use w/0436-356) - 4x4
0436-381	Cover, Green and Black	0436-287	Snowplow Blade, 50 in. - One-Way (use w/0436-356) - 4x4
0436-339	Cover, Timber Camo	0436-356	Snowplow Push Frame - 4x4
0436-151	CV Joint Protectors (Rear)	0436-357	Snowplow Attachment Kit - 4x4
0436-007	Gear Lube (Diff) - 80W90	0436-129	Speedometer Kit
0436-200	Gun Scabbard Mount	0436-297	Tool Holders - Double
0436-501	Grease, High-Performance	0436-263	Tool Holders - Single
0436-505	Hand Guards, Black	0436-329	Winch Kit, 2500 lb
0436-352	Hand/Thumb Warmers	0436-361	Winch Mounting Kit
2257-173	Manual, Illustrated Parts	0436-301	Windshield, Clear w/Black Accent
2257-034	Manual, Operator's (E)		
2257-172	Manuel d'utilisation (F)		

■ NOTE: For a complete list of related items, refer to the current accessory catalog.

