

2014 ARCTIC CAT® ILLUSTRATED PARTS MANUAL



700 TBX

Model Number A2014BBT4EUSR

Model Number A2014BBT4EOSR - International

ARCTIC CAT®
SHARE OUR PASSION.™

www.arcticcat.com

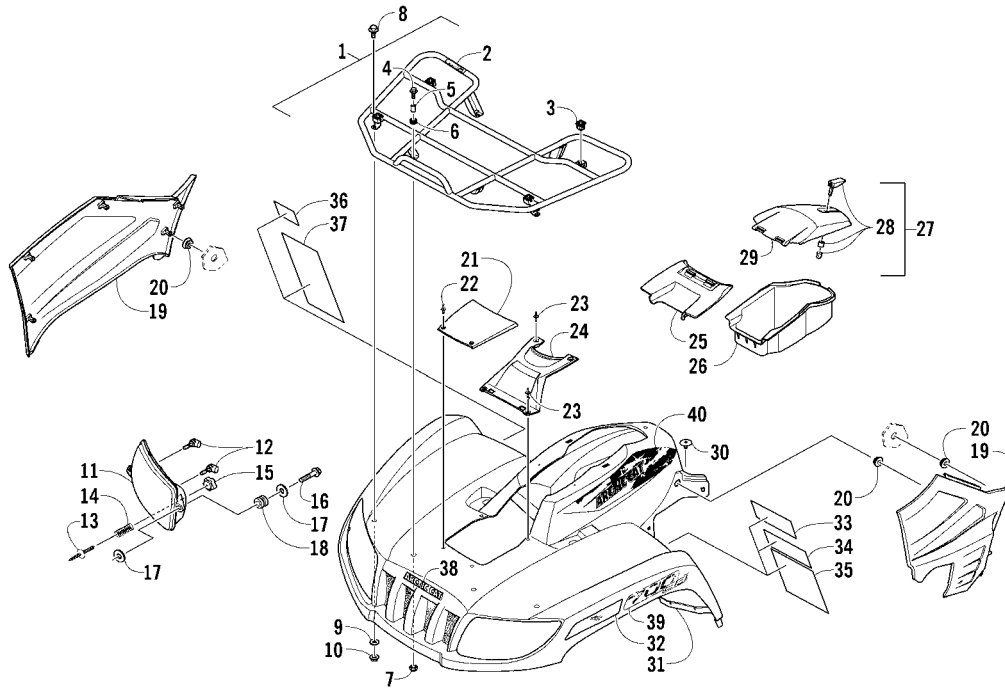
TABLE OF CONTENTS

2014 700 TBX

(Model No. A2014BBT4EUSR) (Model No. A2014BBT4EOSR - Int.)

FRONT RACK, BODY PANEL, AND HEADLIGHT ASSEMBLIES	1
CARGO BOX AND TAILGATE ASSEMBLY	2
TILT FRAME ASSEMBLY	3
STORAGE BOX ASSEMBLY	4
FRAME AND RELATED PARTS	5
WINCH ASSEMBLY	6
LICENSE PLATE HOLDER ASSEMBLY	7
SEAT ASSEMBLY	8
STEERING ASSEMBLY	9
HANDLEBAR ASSEMBLY	10
INSTRUMENT POD ASSEMBLY	11
FRONT SUSPENSION ASSEMBLY	12
REAR SUSPENSION ASSEMBLY	13
WHEEL AND TIRE ASSEMBLY	14
HYDRAULIC BRAKE ASSEMBLY	15
PARKING BRAKE ASSEMBLY	16
GAS TANK ASSEMBLY	17
SHIFT LEVER ASSEMBLY	18
AIR INTAKE ASSEMBLY	19
ENGINE AND EXHAUST	20
COOLING ASSEMBLY	21
CASE/BELT COOLING ASSEMBLY	22
DRIVE TRAIN ASSEMBLY	23
FRONT DRIVE GEARCASE ASSEMBLY	24
REAR DRIVE GEARCASE ASSEMBLY	25
WIRING HARNESS ASSEMBLY	26
BATTERY AND STARTER ASSEMBLY	27
THROTTLE BODY ASSEMBLY	28
CYLINDER ASSEMBLY	29
CYLINDER HEAD AND CAMSHAFT/VALVE ASSEMBLY	30
CAM CHAIN ASSEMBLY	31
CRANKCASE ASSEMBLY	32
CRANKSHAFT AND PISTON ASSEMBLY	33
CLUTCH/V-BELT/MAGNETO COVER ASSEMBLY	34
STARTER CLUTCH ASSEMBLY	35
CRANK BALANCER ASSEMBLY	36
OIL FILTER/PUMP ASSEMBLY	37
WATER PUMP ASSEMBLY	38
TRANSMISSION ASSEMBLY	39
SECONDARY TRANSMISSION ASSEMBLY	40
GEAR SHIFTING ASSEMBLY	41
SECONDARY DRIVE ASSEMBLY	42
MAGNETO ASSEMBLY	43

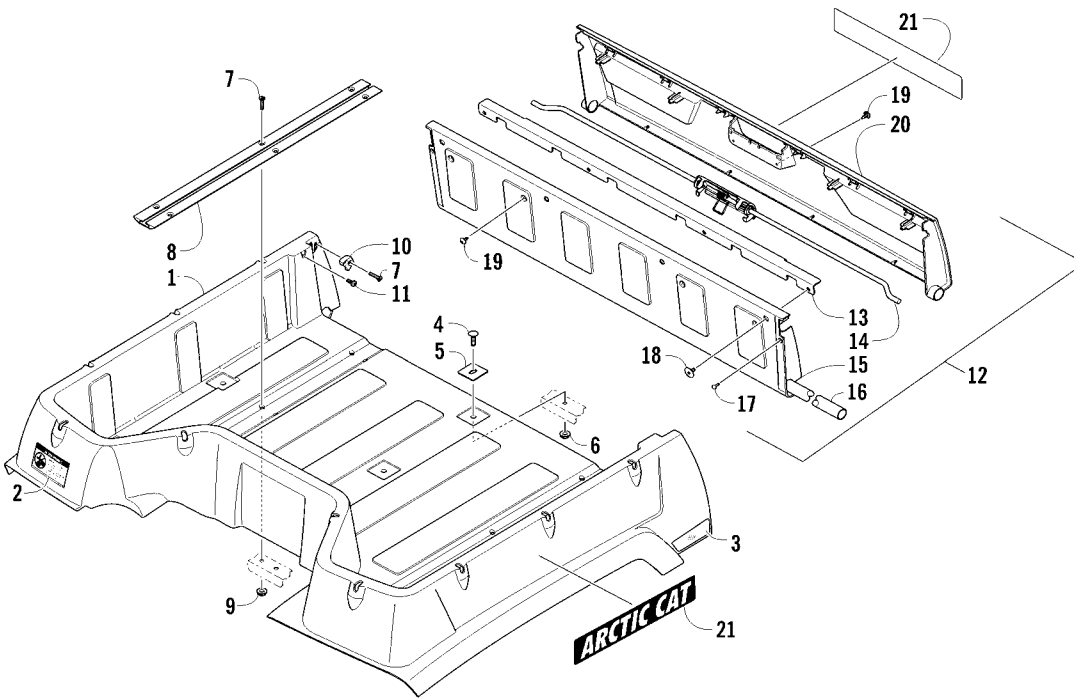
■ **NOTE:** The illustrations used in this Parts Manual are for reference to replacement part numbers only and are not to be used for assembly. For assembly procedures, use an Arctic Cat Service Manual. For a complete list of related items, refer to the current accessory catalog.



FRONT RACK, BODY PANEL, AND HEADLIGHT ASSEMBLIES

0747-415

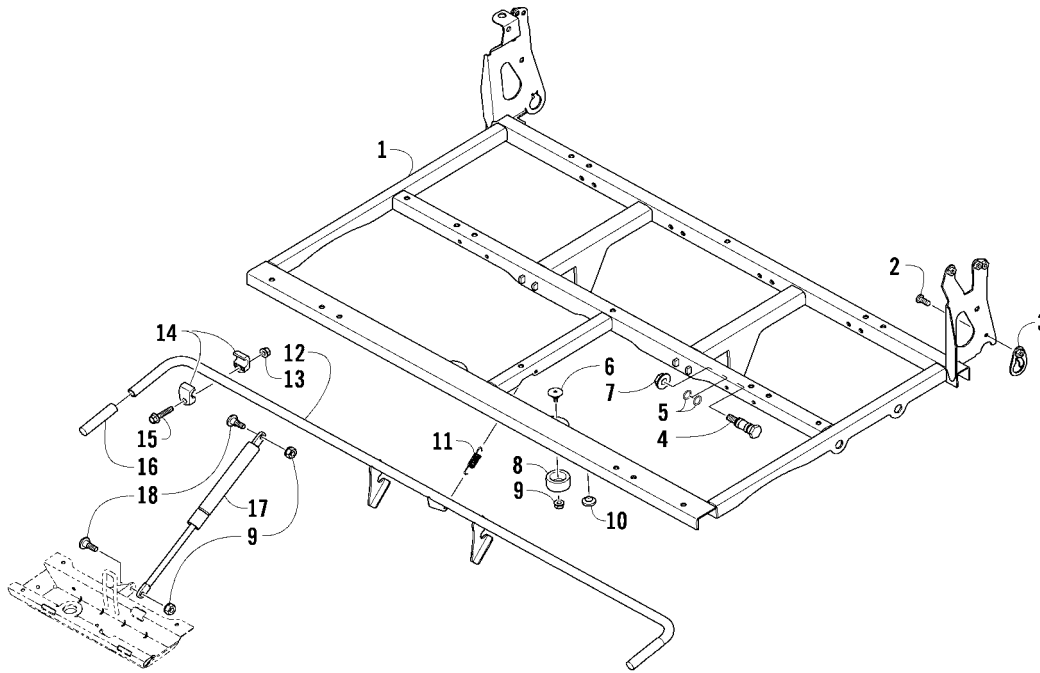
Ref	Part No.	New	Qty	Description	Ref	Part No.	New	Qty	Description
1	2506-106		1	Rack, Front - Assembly (inc. 2-3)	24	1406-484		1	Cover, Steering Post
2	0411-576		1	● Decal, Warning - Load	25	0470-513		1	Cover, Storage Box
3	0441-592		4	● Bushing	26	1406-573		1	Box, Storage
4	8410-835		4	Screw, Cap	27	2506-234		1	Lid, Storage Box w/Latch (inc. 28-29)
5	0423-669		4	Spacer	28	1406-599		1	● Latch, Storage Box
6	0423-465		4	Grommet	29	0470-514		1	● Lid, Storage Box
7	8432-802		4	Nut, Lock	30	0423-101		2	Screw, Shoulder
8	0423-654		2	Screw, Shoulder	31	4506-289	X	1	Panel, Fender - Assembly - Red (inc. 32-37)
9	8050-222		2	Washer	32	0411-818		1	● Decal, Reflector - Right - Amber
10	8427-602		2	Nut, Lock		0411-819		1	● Decal, Reflector - Left - Amber
11	0509-044		1	Headlight Assembly - Right (inc. 12)	33	1411-574		1	● Decal, Warning - Off-Road Only
	0509-035		1	Headlight Assembly - Left (inc. 12)	34	1411-804		1	● Decal, Warning - Age
12	0409-055		4	● Bulb, Headlight	35	1411-932		1	● Decal, Warning - General
13	0423-514		2	Stud, Adjuster - Headlight	36	0411-835		1	● Decal, Warning - Turn/Hill
14	0423-522		2	Spring, Adjuster	37	1411-250		1	● Decal, Warning - Reverse/Pre-Ride
15	0423-513		2	Knob, Adjuster	38	1411-725		1	Decal, "Arctic Cat"
16	0623-785		4	Screw, Self-Tapping	39	3411-525	X	2	Decal, "700 EFI"
17	8050-217		8	Washer	40	3411-574	X	1	Decal, Side - Upper Right
18	0423-447		4	Grommet		3411-575	X	1	Decal, Side - Upper Left
19	2406-300		1	Panel, Side - Lower - Right					
	2406-419		1	Panel, Side - Lower - Left					
20	0423-678		8	Grommet					
21	1406-358		1	Cover, Access					
22	0423-535		2	Rivet, Reinstallable					
23	0623-362		4	Rivet, Reinstallable					



CARGO BOX AND TAILGATE ASSEMBLY

0746-259

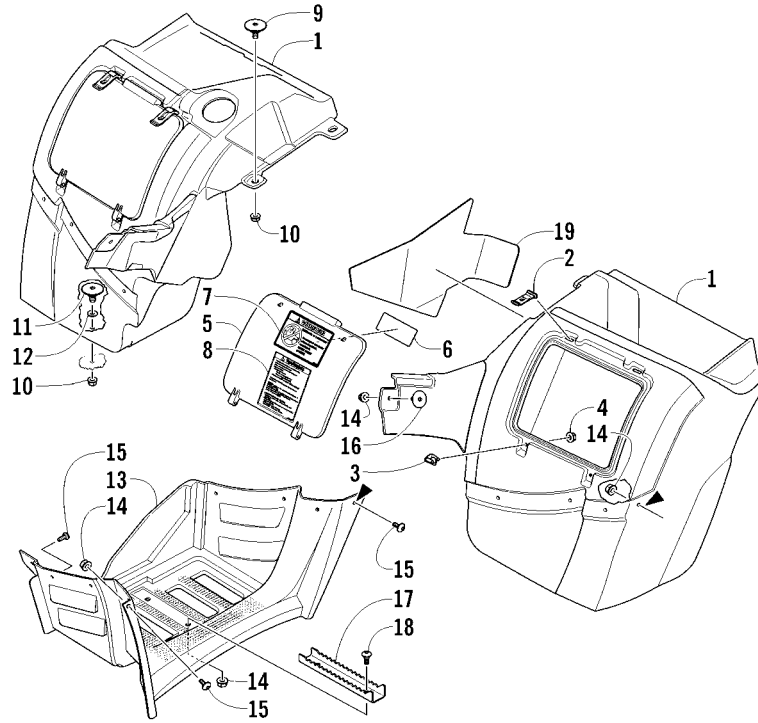
Ref	Part No.	New Qty	Description	Ref	Part No.	New Qty	Description
1	2506-767	1	Box, Cargo (inc. 2-3)	11	8471-616	2	Screw, Machine
2	0411-975	1	● Decal, Warning - No Passenger/ Weight Limit	12	1506-568	1	Tailgate Assembly (inc. 13-20)
3	0411-980	1	● Decal, Reflector - Right - Red	13	1506-567	1	● Brace, Tailgate
	0411-979	1	● Decal, Reflector - Left - Red	14	1506-561	1	● Latch, Tailgate
4	0423-623	7	Bolt, Carriage	15	1406-709	1	● Panel, Tailgate - Front
5	1506-933	7	Plate, Retainer - Black	16	1406-711	1	● Shaft, Pivot
6	8424-802	7	Nut	17	1406-755	2	● Bumper, Tailgate
7	8474-630	16	Screw, Machine	18	0423-101	4	● Screw, Shoulder
8	0541-364	2	Rail, Cargo Box	19	0623-784	10	● Screw, Self-Tapping
9	8424-602	12	Nut	20	1406-710	1	● Panel, Tailgate - Rear
10	1506-940	1	Hook, Tailgate - Right	21	1411-157	3	Decal, "Arctic Cat"
	1506-941	1	Hook, Tailgate - Left				



TILT FRAME ASSEMBLY

0744-143

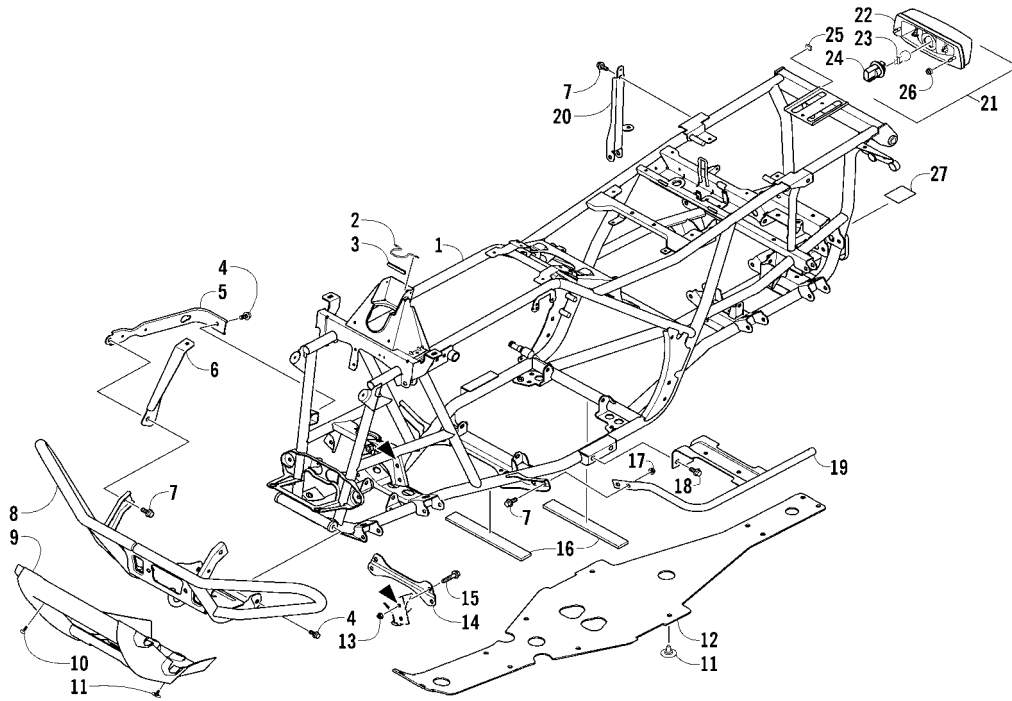
Ref	Part No.	New Qty	Description	Ref	Part No.	New Qty	Description
1	2506-175	1	Frame, Tilt	10	0406-877	2	Bumper
2	8471-616	1	Screw, Machine	11	0423-569	1	Spring
3	1506-539	1	Bracket, Mounting - Tailgate	12	1506-528	1	Latch, Tilt Frame
4	0423-433	2	Pin, Pivot - Cargo Box	13	8424-802	4	Nut
5	1602-213	4	O-Ring	14	1406-674	8	Bushing, Pivot
6	0423-130	2	Screw, Shoulder	15	8408-840	4	Screw, Cap
7	0423-388	2	Nut	16	1406-736	2	Grip, Latch
8	1506-593	2	Bumper, Tilt Frame	17	2506-194	1	Support, Lift
9	0623-038	4	Nut w/Washer	18	0423-355	2	Screw, Shoulder



STORAGE BOX ASSEMBLY

0744-924

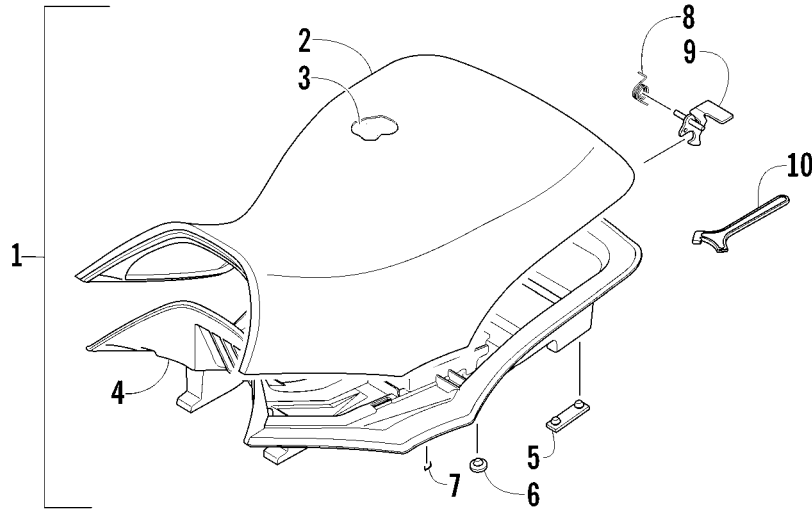
Ref	Part No.	New Qty	Description	Ref	Part No.	New Qty	Description
1	2506-248	1	Box, Storage - Right (inc. 2-6)	11	0423-130	4	Screw, Shoulder
	5506-199	1	Box, Storage - Left (inc. 2-8)	12	0673-349	4	Gasket
2	1406-134	4	● Strap, Hatch	13	1406-356	1	Footwell - Right
3	0506-674	4	● Hinge		2406-429	1	Footwell - Left
4	8424-502	4	● Nut	14	8427-602	24	Nut, Lock
5	1506-020	2	● Hatch	15	0423-419	18	Screw, Machine
6	0411-487	2	● Decal, Caution - Capacity	16	0423-101	2	Screw, Shoulder
7	1411-809	1	● Decal, Warning - Passenger	17	5506-497	X	Footpeg
8	2411-176	1	● Decal, Warning - Tire Pressure	18	0423-355	4	Screw, Shoulder
9	0423-735	4	Screw, Shoulder	19	0412-395	1	Foil, Protective
10	8424-602	8	Nut				



FRAME, TAILLIGHT, AND RELATED PARTS

0746-882

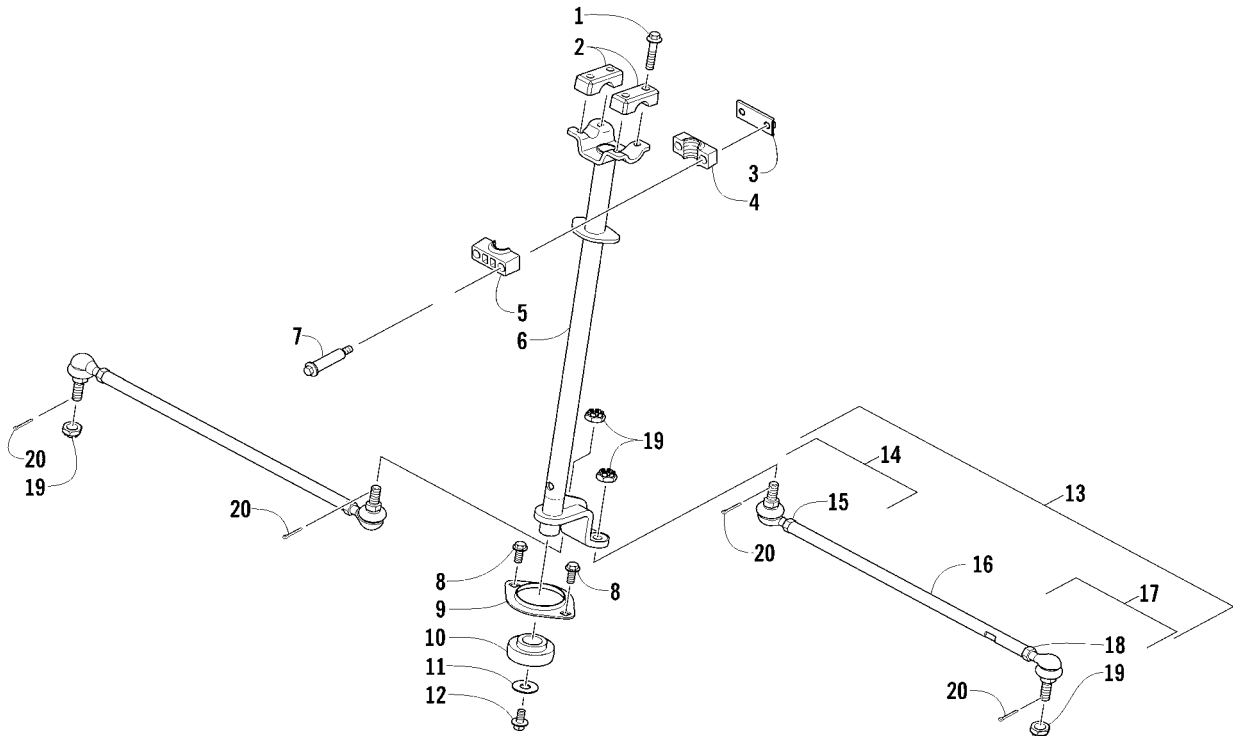
Ref	Part No.	New	Qty	Description	Ref	Part No.	New	Qty	Description
1	5506-411	X	1	Frame, Main	15	8409-025		2	Screw, Cap
2	2416-401		1	Clip, Routing	16	0406-289		2	Pad, Frame
3	0706-371		AR	Trim - 3 ft	17	8424-802		4	Nut
4	8409-020		4	Screw, Cap	18	8409-016		4	Screw, Cap
5	1506-596		2	Channel, Bumper Mounting	19	1506-590		1	Footrest - Right
6	1506-562		1	Bracket, Mounting - Bumper - Right		1506-591		1	Footrest - Left
	1506-563		1	Bracket, Mounting - Bumper - Left	20	2506-447		1	Bracket, Support
7	8408-816		7	Screw, Cap	21	0509-022		1	Taillight Assembly (inc. 22-24)
8	1506-855		1	Bumper	22	0509-025		1	● Housing, Taillight
9	1406-360		1	Fascia, Bumper - Front	23	0409-056		1	● Bulb, Taillight
10	0423-419		2	Screw, Machine	24	0409-057		1	● Socket, Taillight
11	0423-101		12	Screw, Shoulder	25	1406-790		4	Pad, Taillight
12	2406-091		1	Panel, Belly	26	0423-534		2	Grommet
13	0423-744		2	Nut, Lock	27	1411-077		1	Decal, Warning - Towing
14	2516-852		1	Brace, A-Arm					



SEAT ASSEMBLY

0744-435

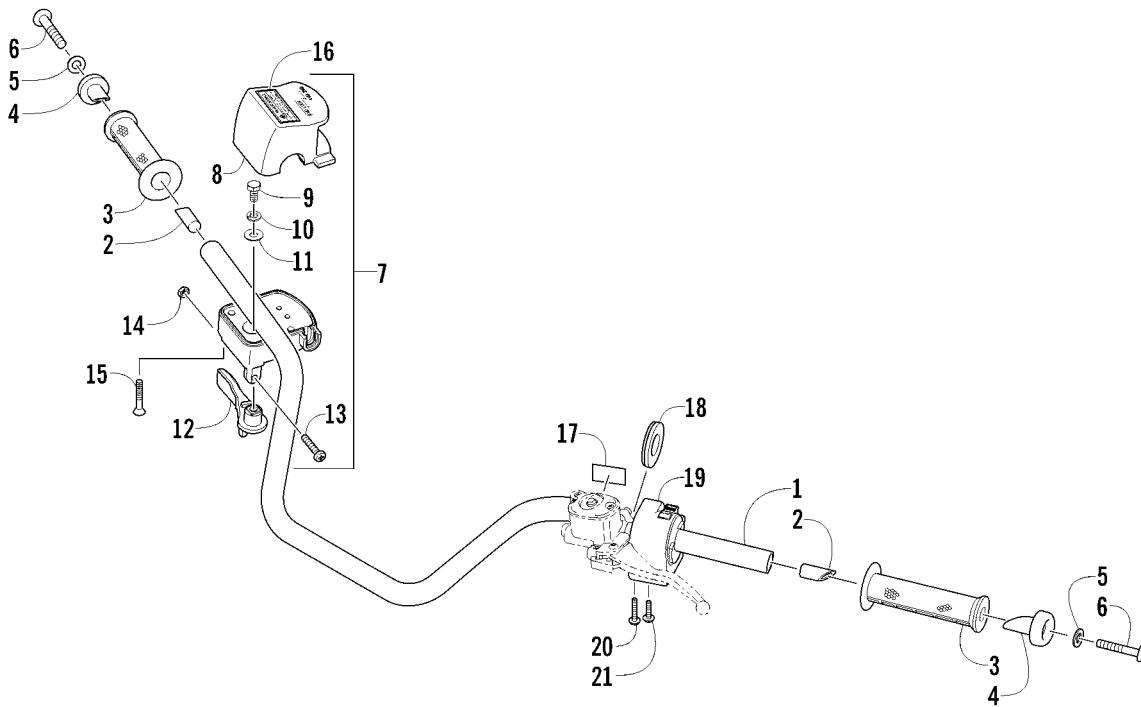
Ref	Part No.	New Qty	Description	Ref	Part No.	New Qty	Description
1	4506-557	1	Seat Assembly (inc. 2-9)	6	0406-877	4	●● Bumper, Seat - Front
2	1506-209	1	● Cover, Seat	7	0624-263	AR	● Staple
3	0517-119	1	● Foam, Seat	8	1406-592	1	● Spring, Seat Latch
4	2416-826	1	● Base, Seat - Assembly (inc. 5-6)	9	1506-156	1	● Latch, Seat
5	0406-879	2	●● Bumper, Seat - Rear	10	0441-587	1	Wrench, Spanner



STEERING ASSEMBLY

0745-320

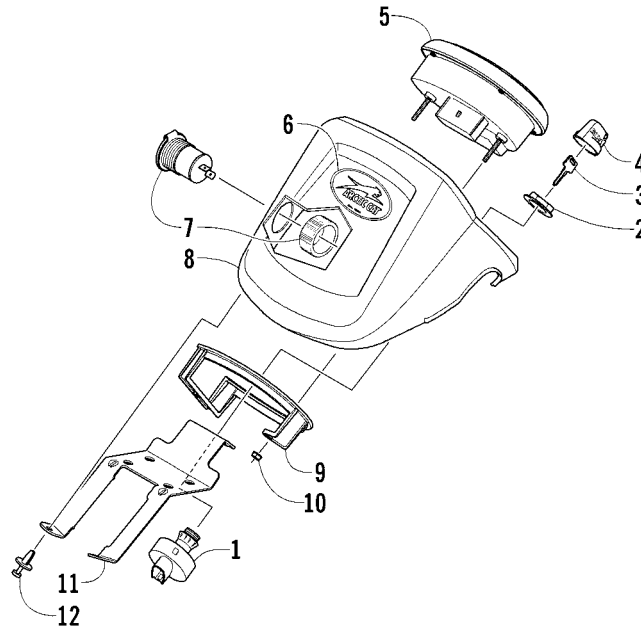
Ref	Part No.	New Qty	Description	Ref	Part No.	New Qty	Description
1	8408-835	4	Screw, Cap	12	8409-020	1	Screw, Cap
2	0405-035	2	Cap, Steering Adjuster	13	0505-872	X 2	Tie Rod - Assembly (inc. 14-18)
3	0505-484	1	Cap, Housing	14	0505-875	X 2	● End, Tie Rod - Left-Hand Thread - Kit (inc. 15)
4	0405-260	1	Housing, Upper	15	0423-013	2	●● Nut - Left-Hand Thread
5	0405-259	1	Housing, Lower	16	0405-281	2	● Tie Rod
6	0505-493	1	Post, Steering	17	0505-874	X 2	● End, Tie Rod - Right-Hand Thread - Kit (inc. 18)
7	0423-505	2	Screw, Shoulder	18	8420-002	2	●● Nut - Right-Hand Thread
8	8408-816	2	Screw, Cap	19	0423-157	4	Nut, Lock
9	0602-233	1	Flange, Bearing	20	0623-175	4	Pin, Cotter
10	0405-052	1	Bearing w/Inverted Oil Seal				
11	0423-073	1	Washer				



HANDLEBAR ASSEMBLY

0744-426

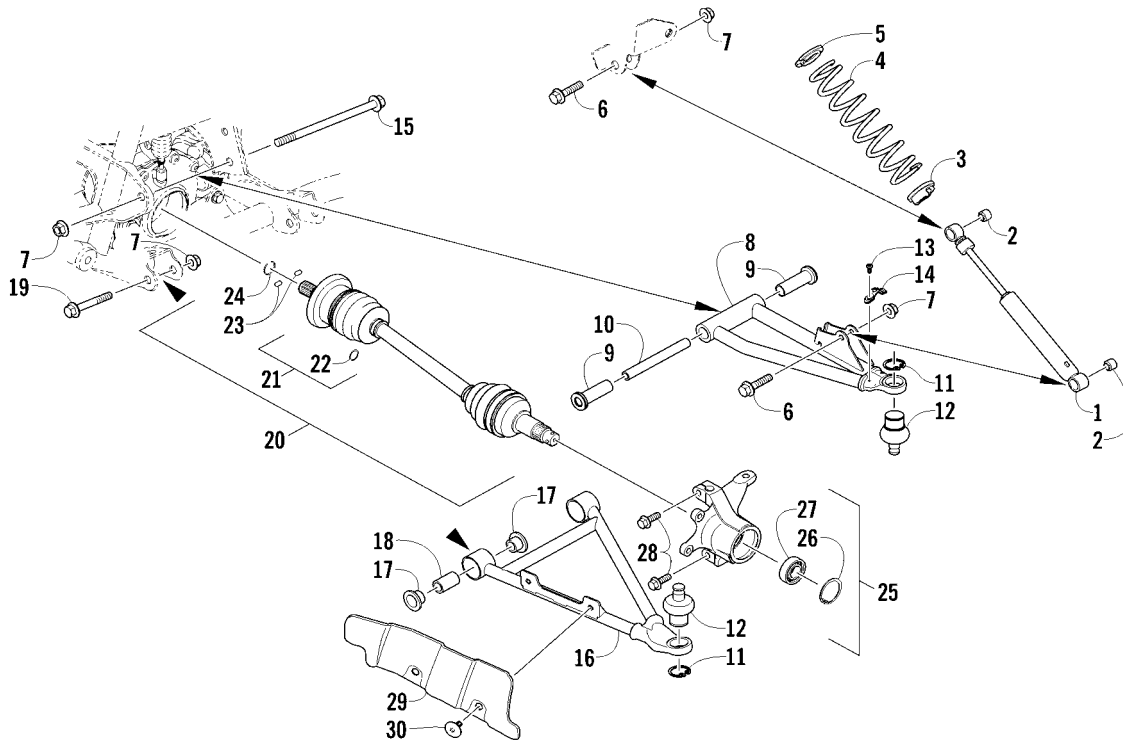
Ref	Part No.	New Qty	Description	Ref	Part No.	New Qty	Description
1	0505-418	1	Handlebar	12	0409-133	1	● Lever, Throttle
2	0405-218	2	Plug, Handlebar	13	3423-014	1	● Screw, Machine
3	0405-147	2	Grip, Handlebar	14	3423-327	1	● Nut
4	0405-149	2	End Cap, Handlebar	15	3423-199	2	● Screw, Machine
5	8050-247	2	Washer	16	0411-966	1	Decal, Warning - Differential Lock
6	8477-845	2	Screw, Machine	17	1411-865	1	Decal, Warning - Brake Lever Lock
7	0509-054	1	Case, Throttle - Assembly (inc. 8-15)	18	3409-019	1	Cover, Switch Housing
8	0409-141	1	● Cover, Throttle Case w/Switch	19	0509-014	1	Switch, Control - Assembly (inc. 20-21)
9	3007-392	1	● Screw, Cap	20	0409-028	1	● Screw, Machine
10	3004-447	1	● Washer, Lock	21	0409-027	1	● Screw, Machine
11	3003-030	1	● Washer				



INSTRUMENT POD ASSEMBLY

0746-654

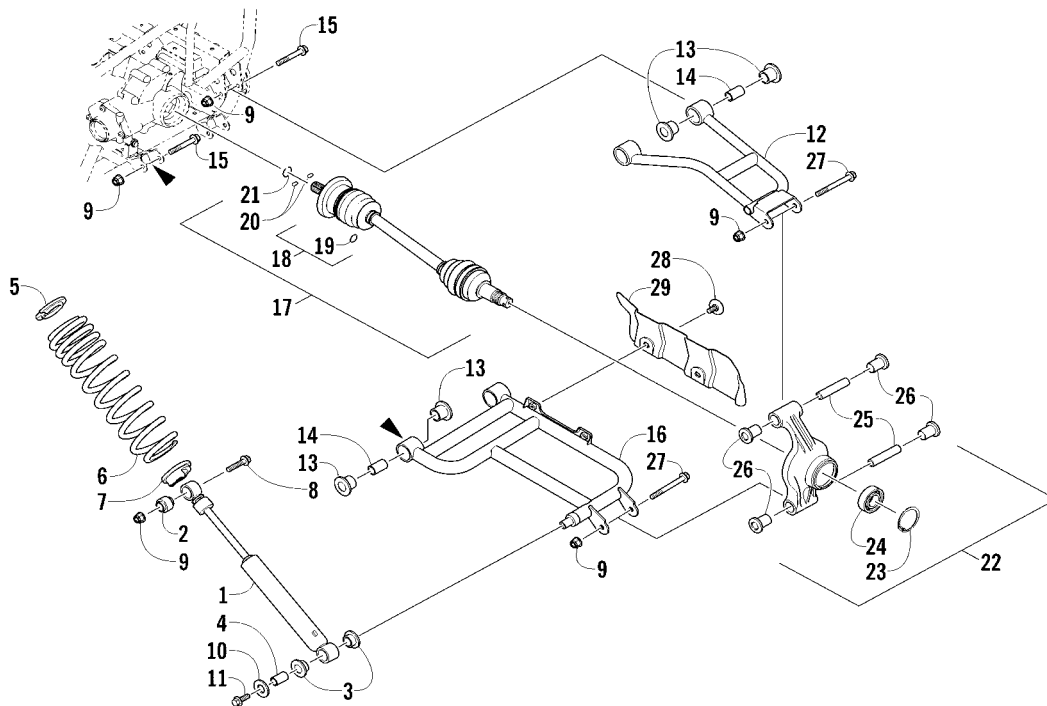
Ref	Part No.	New	Qty	Description	Ref	Part No.	New	Qty	Description
1	0430-090		1	Switch, Ignition - Assembly (inc. 2-4)	6	9611-751		1	Decal, "Arctic Cat"
2	0430-050		1	● Nut, Retaining	7	0641-897		1	Outlet, Accessory - 12V
3	0430-042		1	● Key, Ignition (Y Series - Left-Side Cut)	8	0405-276		1	Instrument Pod - Black
	0430-043		1	● Key, Ignition (Z Series - Right-Side Cut)	9	0420-065		1	Bracket, Retaining
4	0430-054		1	● Cover, Key	10	0423-493		2	Nut w/Washer
5	0520-233	X	1	Gauge, LCD	11	2506-470		1	Bracket, Mounting - Instrument Pod
					12	0423-535		2	Rivet, Reinstallable



FRONT SUSPENSION ASSEMBLY

0745-247

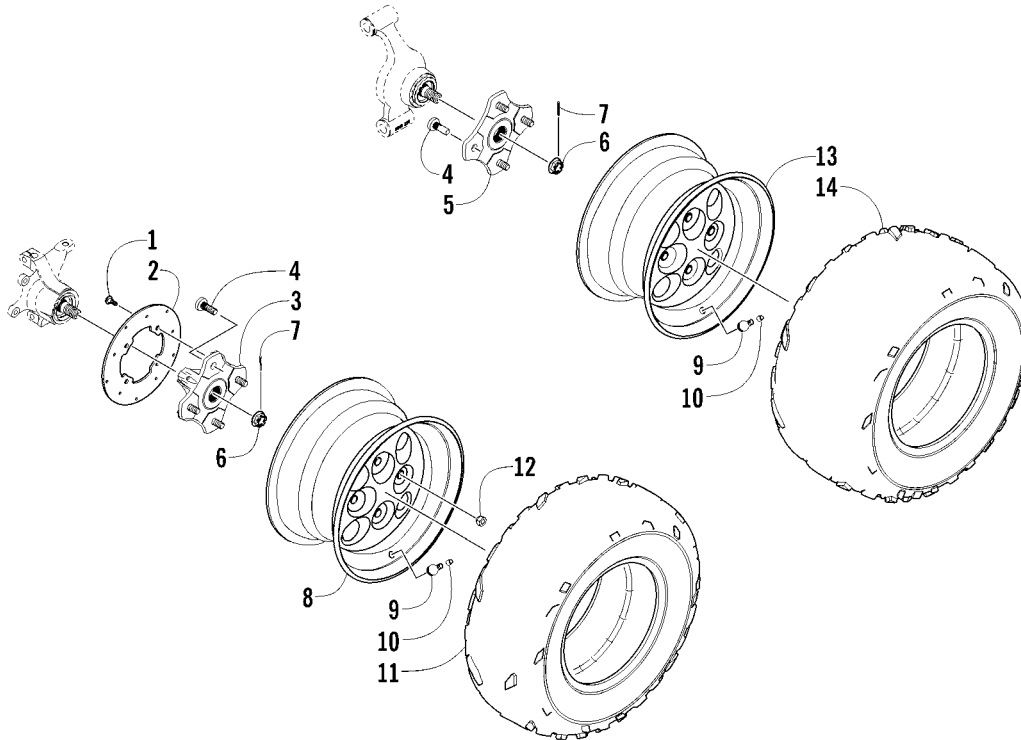
Ref	Part No.	New Qty	Description	Ref	Part No.	New Qty	Description
1	0403-209	2	Shock Absorber (inc. 2)	17	0403-208	8	● Bushing
2	0403-182	4	● Bushing	18	0403-214	4	● Axle
3	0403-288	2	Cam, Spring Adjuster	19	8409-075	4	Screw, Cap
4	0503-353	2	Spring, Suspension - Black	20	1502-800	1	Axle, Drive - Right (inc. 21-24)
5	1603-889	2	Retainer, Spring	21	1502-799	1	Axle, Drive - Locking - Left (inc. 21-24)
6	8409-040	4	Screw, Cap	22	1436-419	2	● Repair Kit, Boot (inc. 22)
7	0423-744	10	Nut, Lock	23	1441-988	2	● Clip, Retaining
8	0503-416	1	A-Arm, Upper Right - Black (inc. 9-12)	24	1402-885	4	● Pin, Detent
	0503-417	1	A-Arm, Upper Left - Black (inc. 9-12)	25	1402-889	2	● Clip, Retaining
9	0403-207	4	● Bushing	26	0505-576	1	Knuckle - Assembly - Right (inc. 26-27)
10	0403-080	2	● Axle		0505-577	1	Knuckle - Assembly - Left (inc. 26-27)
11	0423-009	4	● Ring, Retaining	27	0423-423	2	● Ring, Retaining
12	0405-483	4	● Ball Joint	28	1402-809	2	● Bearing
13	0423-946	4	Screw, Self-Tapping	29	0423-998	4	Screw, Shoulder
14	1502-594	2	Clamp, Routing	30	1406-034	1	Guard, Boot - Right - Black
15	0423-334	2	Screw, Cap		1406-035	1	Guard, Boot - Left - Black
16	0503-376	1	A-Arm, Lower Right - Black (inc. 17-18 and two No. 11-12)		0423-545	4	Screw, Shoulder
	0503-377	1	A-Arm, Lower Left - Black (inc. 17-18 and two No. 11-12)				



REAR SUSPENSION ASSEMBLY

0745-252

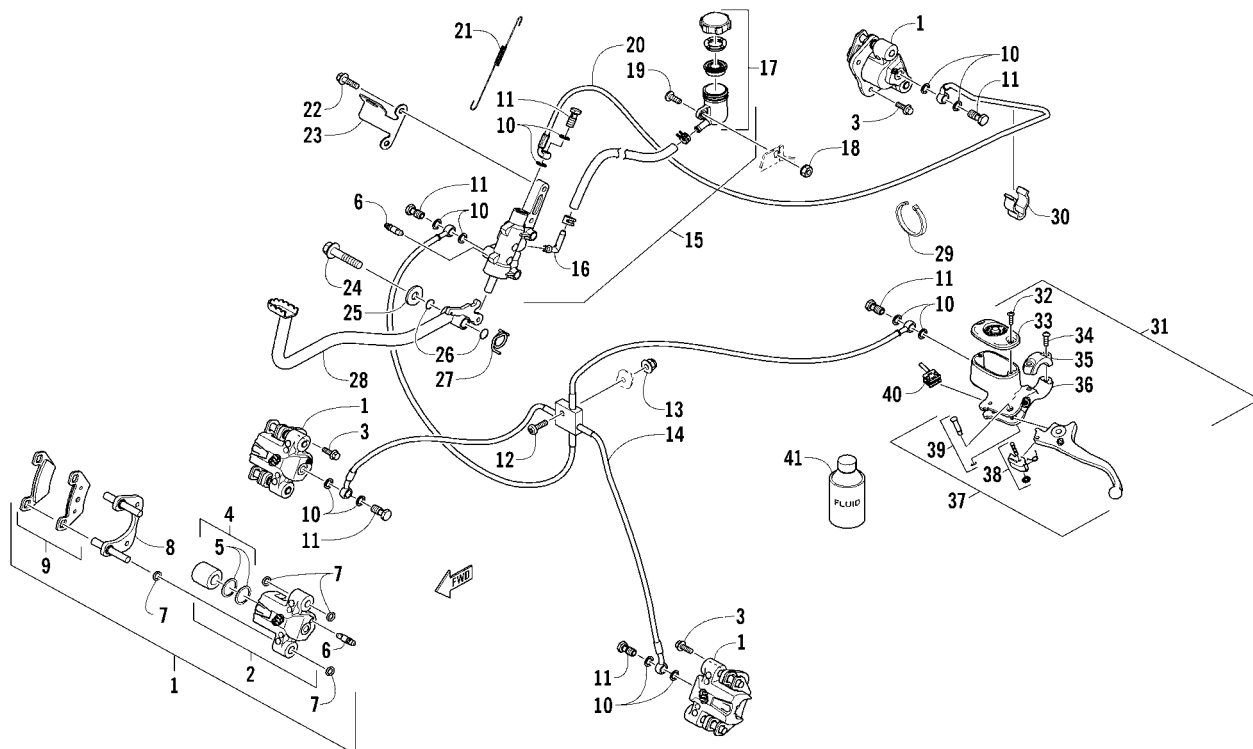
Ref	Part No.	New Qty	Description	Ref	Part No.	New Qty	Description
1	0404-158	2	Shock Absorber (inc. 2-4)	17	1502-798	2	Axle, Drive (inc. 18-21)
2	0403-182	2	● Bushing	18	1436-419	2	● Repair Kit, Boot (inc. 19)
3	0603-955	4	● Bushing	19	1441-988	2	●● Clip, Retaining
4	1603-219	2	● Sleeve	20	1402-884	4	● Pin, Detent
5	1603-889	2	Retainer, Spring	21	1402-890	2	● Clip, Retaining
6	0504-536	2	Spring, Suspension - Black	22	0504-548	1	Knuckle, Right - Assembly (inc. 23-26)
7	0404-057	2	Cam, Spring Adjuster		0504-549	1	Knuckle, Left - Assembly (inc. 23-26)
8	8409-050	2	Screw, Cap	23	0423-423	2	● Ring, Retaining
9	0423-744	14	Nut, Lock	24	1402-809	2	● Bearing
10	0423-087	2	Washer	25	0403-213	4	● Axle
11	8408-820	2	Screw, Cap	26	0403-206	8	● Bushing
12	0504-582	1	A-Arm, Rear - Upper Right - Black (inc. 13-14)	27	8409-000	4	Screw, Cap
	0504-583	1	A-Arm, Rear - Upper Left - Black (inc. 13-14)	28	0423-545	4	Screw, Shoulder
13	0403-208	16	● Bushing	29	1406-068	1	Guard, Boot - Rear - Right - Black
14	0403-214	8	● Axle		1406-069	1	Guard, Boot - Rear - Left - Black
15	8409-075	8	Screw, Cap				
16	0504-572	1	A-Arm, Rear - Lower Right - Black (inc. 13-14)				
	0504-573	1	A-Arm, Rear - Lower Left - Black (inc. 13-14)				



WHEEL AND TIRE ASSEMBLY

0745-929

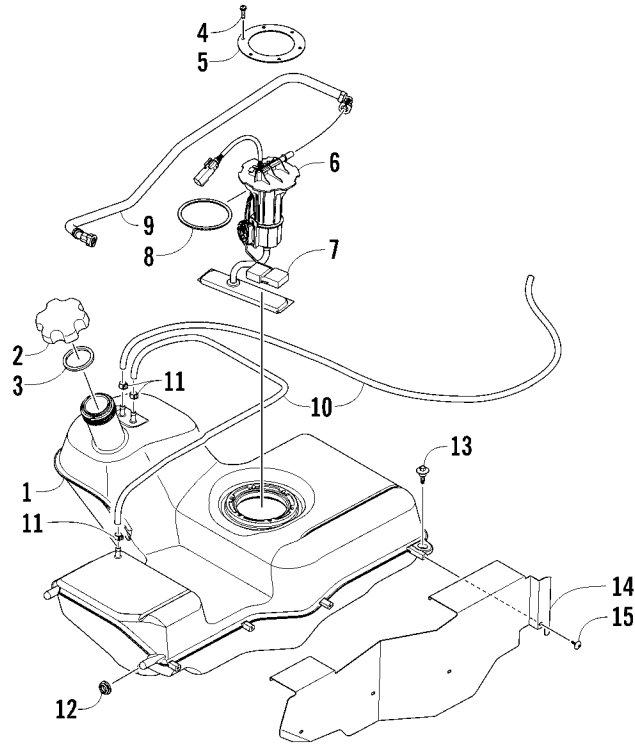
Ref	Part No.	New	Qty	Description	Ref	Part No.	New	Qty	Description
1	0423-557		12	Screw, Shoulder	8	1402-780		2	Wheel - Front - Black
2	1436-808	X	3	Disc, Brake	9	0402-064		4	Stem, Valve (inc. 10)
3	1502-462		2	Hub, Wheel - Front (inc. 4)	10	0402-140		4	● Cap, Valve Stem
4	0402-974		16	● Stud	11	2402-096		2	Tire - Front
5	1502-462		1	Hub, Wheel - Rear - Right (inc. 4)	12	0423-408		16	Nut, Lug
	1502-464		1	Hub, Wheel - Rear - Left (inc. 4)	13	1402-781		2	Wheel - Rear - Black
6	0423-607		4	Nut, Castle	14	2402-097		2	Tire - Rear
7	0423-407		4	Pin, Cotter					



HYDRAULIC BRAKE ASSEMBLY

0747-139

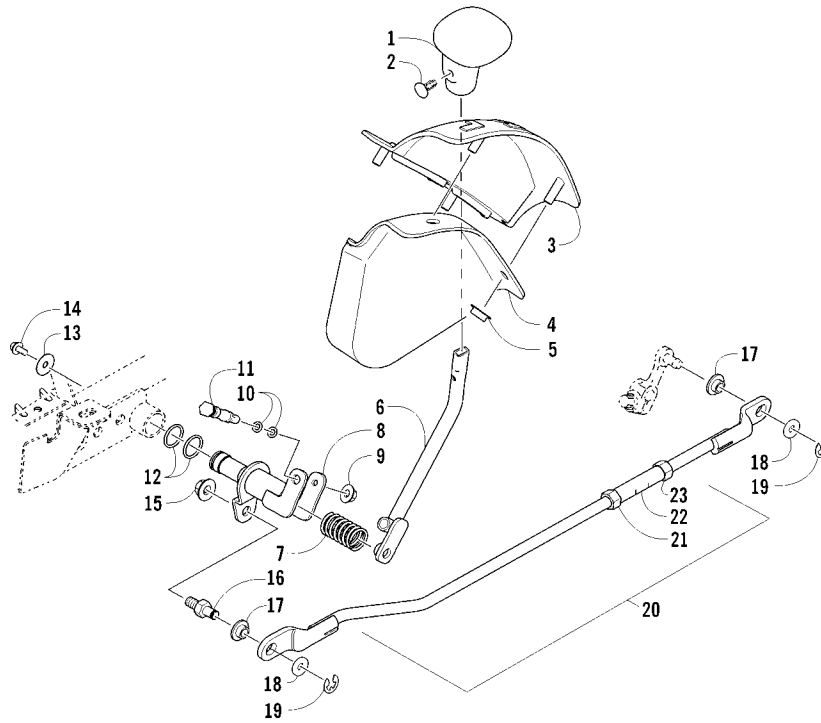
Ref	Part No.	New	Qty	Description	Ref	Part No.	New	Qty	Description
1	1436-422		1	Caliper, Brake - Right Front (inc. 2-9)	18	0623-038		1	Nut w/Washer
	1436-423		1	Caliper, Brake - Left Front (inc. 2-9)	19	8476-616		1	Screw, Machine
	1436-423		1	Caliper, Brake - Rear (inc. 2-9)	20	1502-591		1	Hose, Brakeline
2	1436-160		1	● Housing, Caliper - Assembly - Right Front (inc. 3-6)	21	0502-785		1	Spring, Brake Switch
	1436-161		1	● Housing, Caliper - Assembly - Left Front (inc. 3-6)	22	8408-625		2	Screw, Cap
	1436-161		1	● Housing, Caliper - Assembly - Rear (inc. 3-6)	23	0502-840		1	Bracket, Switch
					24	8408-816		1	Screw, Cap
					25	8050-252		1	Washer
3	8408-821		6	●● Screw, Cap	26	1602-213		2	O-Ring
4	0502-606		3	●●● Piston/Seal Set (inc. 5)	27	0502-807		1	Spring, Brake Lever
5	0502-607		3	●●● Seal Set	28	1502-063		1	Lever, Brake
6	0502-609		4	●● Valve, Bleed	29	0123-788		AR	Tie, Cable - 8 in.
7	0502-608		3	● O-Ring, Guide - Set	30	1502-115		2	Clip, Brakeline Hose
8	0502-605		3	● Bracket Assembly	31	1502-902		1	Brake Assembly (inc. 32-40)
9	1502-694		3	● Pad, Brake - Set	32	0502-566		1	● Screw, Machine - Kit
10	0423-178		12	Washer, Crush	33	0502-868		1	● Cover, Reservoir
11	0423-413		6	Bolt, Banjo-Fitting	34	0502-568		1	● Screw, Machine - Kit
12	8476-625		1	Screw, Machine	35	0502-869		1	● Clamp, Master Cylinder
13	8427-602		1	Nut, Lock	36	0502-704		1	● Master Cylinder Assembly
14	1502-015		1	Hose, Brakeline - Assembly	37	1502-904		1	● Lever Assembly - Kit (inc. 38-39)
15	1502-577		1	Brake Assembly (inc. 16-17)	38	1502-905		1	●● Lock, Brake Lever - Kit
16	1502-296		1	● Adapter, Hose	39	0502-580		1	●● Lever Pin - Kit
17	1502-578		1	● Reservoir, Brake w/Clamp	40	0502-564		1	● Switch, Brake
					41	5639-848		AR	Fluid, Brake - 12 oz



GAS TANK ASSEMBLY

0746-265

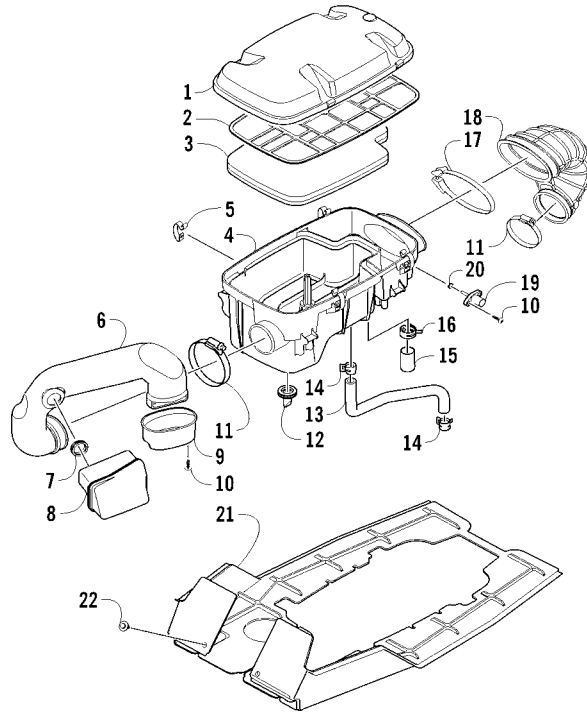
Ref	Part No.	New Qty	Description	Ref	Part No.	New Qty	Description
1	0570-306	1	Tank, Gas - Assembly (inc. 2-5)	9	0570-305	1	Hose, Fuel - Assembly
2	0470-438	1	● Cap, Gas Tank (inc. 3)	10	0410-070	AR	Hose, Gasline - 25 ft
3	0109-733	1	●● Gasket, Gas Tank Cap	11	0423-688	3	Clamp, Hose
4	0423-898	6	● Screw, Self-Tapping	12	0423-460	2	Grommet
5	2670-042	1	● Plate, Retaining	13	0423-732	2	Screw, Shoulder
6	0570-324	1	Pump, Fuel - Assembly (inc. 7-8)	14	0470-715	1	Shield, Heat - Gas Tank - Front
7	2670-235	1	● Float	15	0623-797	4	Screw, Self-Tapping
8	0470-838	1	● Seal				



SHIFT LEVER ASSEMBLY

0745-123

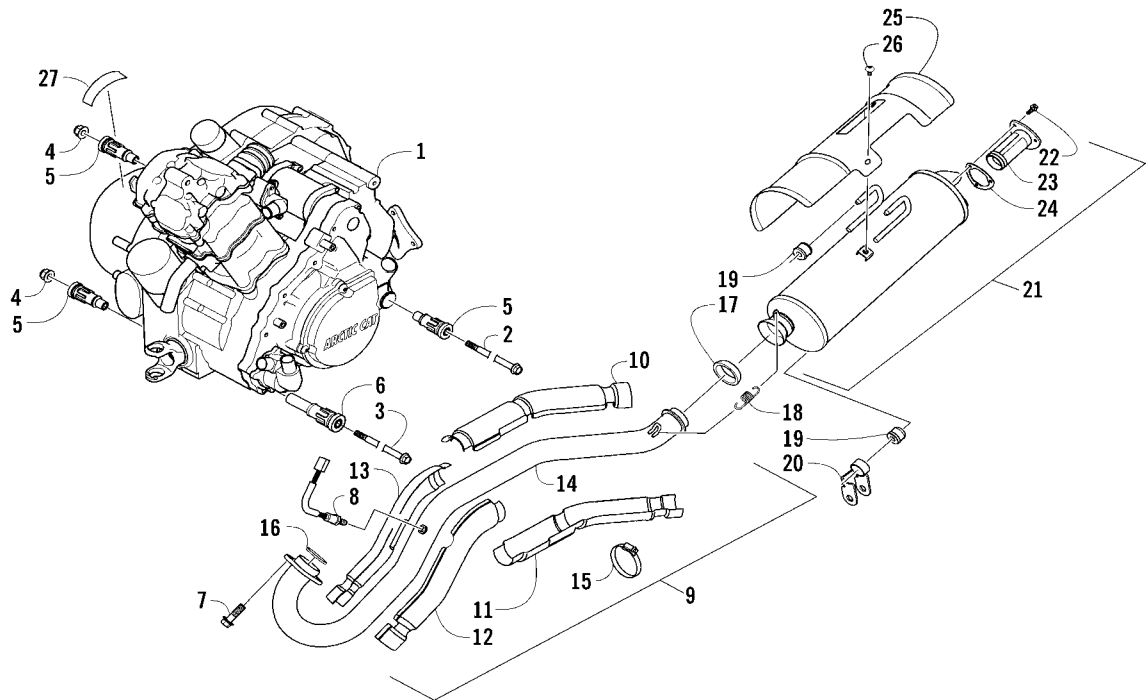
Ref	Part No.	New Qty	Description	Ref	Part No.	New Qty	Description
1	0402-843	1	Knob, Shift	13	0423-087	1	Washer
2	0423-345	1	Clip, Retaining	14	8408-812	1	Screw, Cap
3	2402-073	1	Plate, Shift	15	8424-802	1	Nut
4	2406-345	1	Shield, Shift Plate	16	1402-621	1	Pin, Mounting
5	0423-357	4	Nut, Stamped	17	0423-091	2	Bushing
6	1502-977	1	Lever, Shift	18	0623-094	2	Washer
7	2402-117	1	Spring	19	0423-169	2	E-Ring
8	1502-957	1	Actuator, Shift	20	1502-200	1	Linkage, Shift - Assembly (inc. 21-23)
9	8424-602	1	Nut	21	0123-917	1	● Nut, Hex - Left-Hand Thread
10	0423-182	2	O-Ring	22	1402-619	1	● Coupler
11	0402-675	1	Axle, Pivot	23	0623-294	1	● Nut, Hex - Right-Hand Thread
12	0423-299	2	O-Ring				



AIR INTAKE ASSEMBLY

0744-432

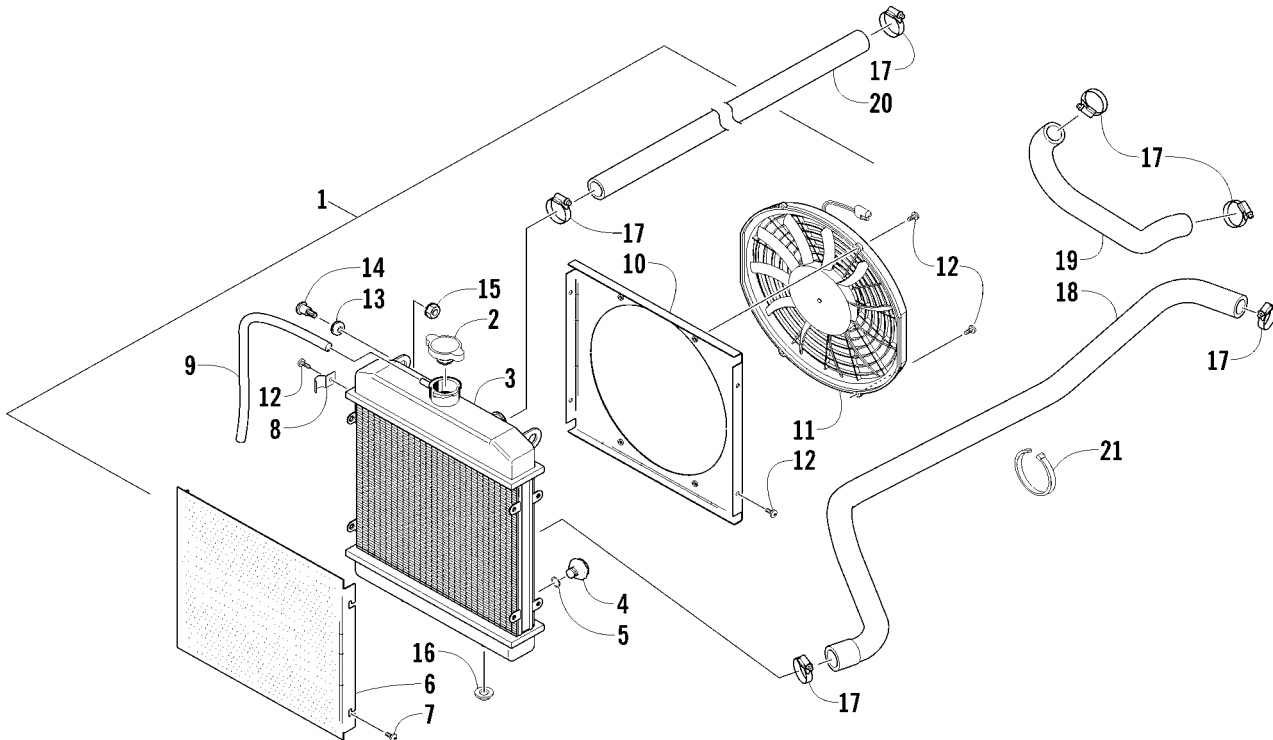
Ref	Part No.	New Qty	Description	Ref	Part No.	New Qty	Description
1	0470-877	1	Cover, Intake	12	0470-442	1	Valve, Drain
2	0470-560	1	Screen, Air Filter	13	0410-172	1	Hose, Vent
3	0470-558	1	Filter, Air	14	1623-281	2	Clamp, Hose
4	0470-728	1	Housing, Intake	15	0423-766	1	Cap, Drain
5	0423-455	4	Clip, Spring	16	1623-287	1	Clamp
6	0470-749	1	Duct, Engine Intake	17	0423-554	1	Clamp
7	0423-763	1	Grommet	18	0470-511	1	Boot
8	0570-215	1	Resonator	19	0430-055	1	Sensor, Air Temperature (inc. 20)
9	0470-729	1	Boot	20	5507-224	1	● O-Ring
10	0423-342	4	Screw, Self-Tapping	21	2406-604	1	Panel, Shield
11	0423-019	2	Clamp	22	0623-362	2	Rivet, Reinstallable



ENGINE AND EXHAUST

0747-527

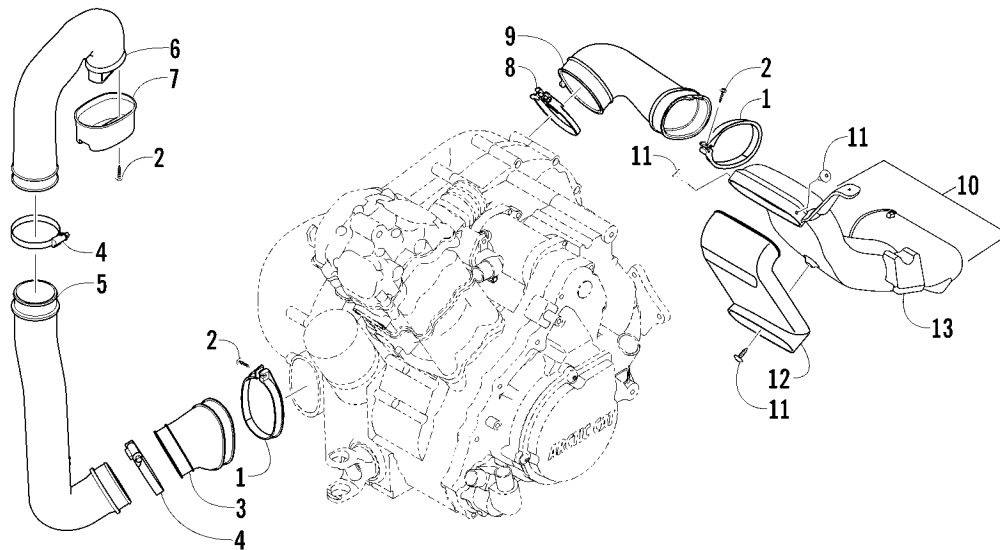
Ref	Part No.	New	Qty	Description	Ref	Part No.	New	Qty	Description
1	0800-129	X	1	Engine, A700O	15	0423-317		4	● Clamp
2	0423-451		1	Screw, Cap	16	0412-338		1	Gasket, Exhaust
3	0423-405		1	Screw, Cap	17	0412-375		1	Seal, Exhaust
4	8428-002		2	Nut, Lock	18	0612-668		2	Spring, Extension
5	0801-129		3	Mount, Rubber - Engine	19	0412-577		3	Bushing
6	0801-122		1	Mount, Rubber - Engine	20	1506-732		1	Channel, Muffler Support
7	8408-820		2	Screw, Cap	21	0512-355		1	Muffler - Assembly (inc. 22-24)
8	0630-302	X	1	Sensor, Oxygen	22	8408-616		3	● Screw, Cap
9	0512-623	X	1	Pipe, Exhaust - Assembly (inc. 10-15)	23	0512-219		1	● Arrester, Spark - Assembly
10	0412-354		1	● Shield, Exhaust Pipe - Outer - Rear	24	0412-313		1	● Gasket, Spark Arrester
11	0412-355		1	● Shield, Exhaust Pipe - Inner - Rear	25	0412-373		1	Cover, Muffler
12	0412-687	X	1	● Shield, Exhaust Pipe - Inner - Front	26	8477-610		3	Screw, Machine
13	0412-686	X	1	● Shield, Exhaust Pipe - Outer - Front	27	0411-426		1	Decal, Warning - Clutch Cover
14	0512-624	X	1	● Pipe, Exhaust					



COOLING ASSEMBLY

0745-858

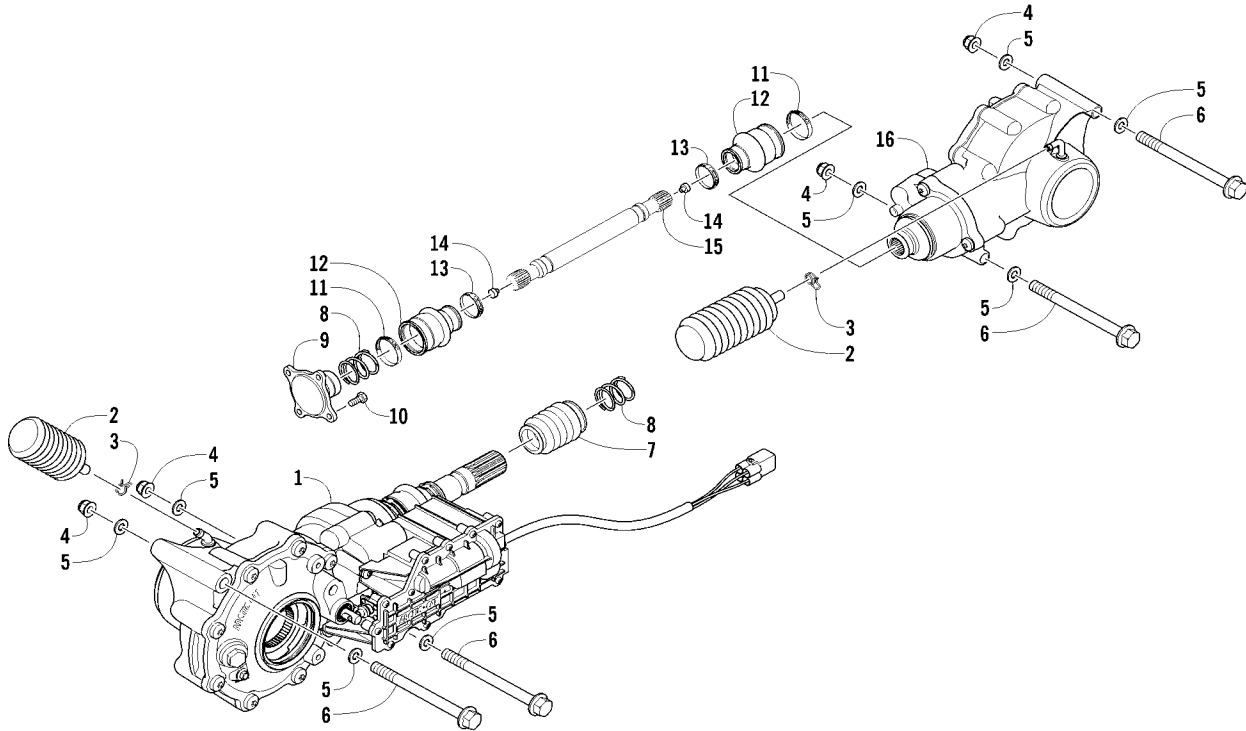
Ref	Part No.	New	Qty	Description	Ref	Part No.	New	Qty	Description
1	0413-256		1	Radiator Assembly (inc. 2-13)	11	0413-123		1	● Fan, Cooling
2	0413-255		1	● Cap	12	0623-378		8	● Screw, Self-Tapping
3	0413-205		1	● Radiator	13	0423-030		2	● Grommet
4	0413-195		1	● Plug, Drain	14	0423-484		2	Screw, Shoulder
5	1602-213		1	● O-Ring	15	0623-038		2	Nut w/Washer
6	0413-007		1	● Screen	16	0423-028		2	Bushing, Stem
7	8475-512		4	● Screw, Machine	17	0423-496		6	Clamp, Hose
8	0423-351		1	● Clamp, Wire	18	0410-229		1	Hose, Coolant - Lower
9	0610-016	AR		● Hose - 25 ft	19	0410-022		1	Hose, Coolant - Crossover
	0610-015	AR		● Hose - 100 ft	20	0410-002		1	Hose, Coolant - Upper
10	0413-203		1	● Shroud, Fan	21	0123-903		AR	Tie, Cable - 11.5 in.



CASE/BELT COOLING ASSEMBLY

0744-433

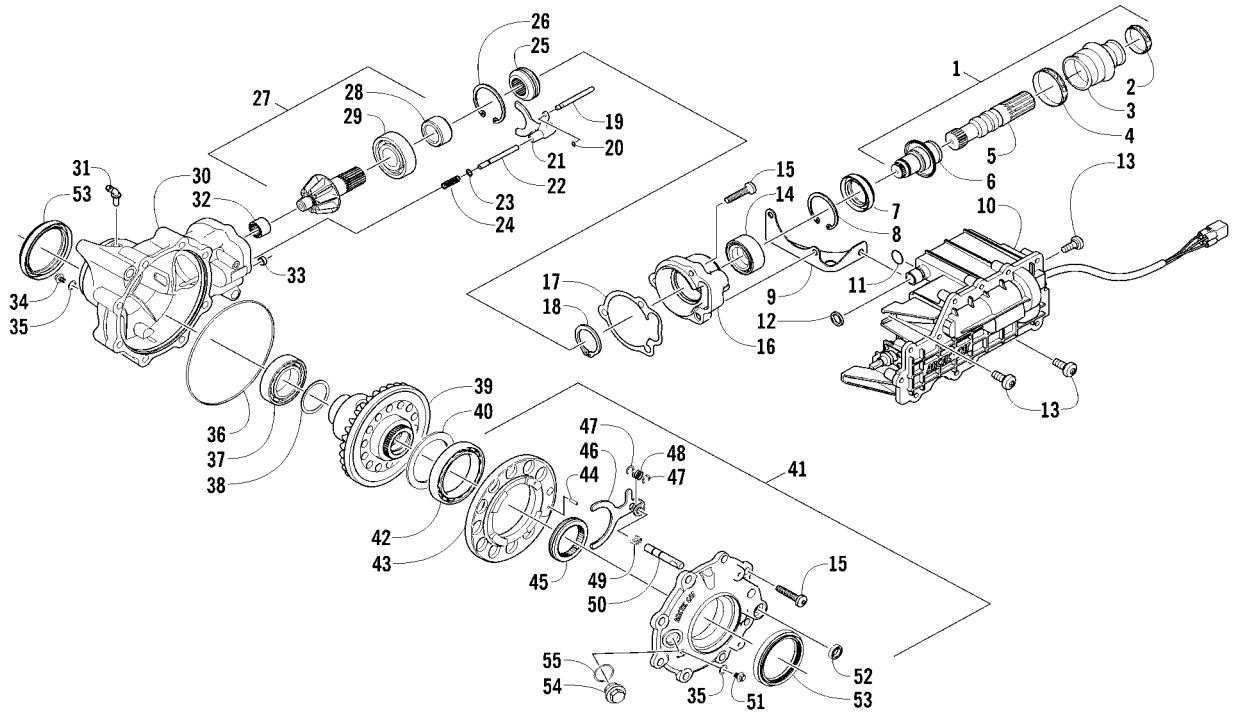
Ref	Part No.	New Qty	Description	Ref	Part No.	New Qty	Description
1	0423-550	2	Clamp, Plastic	8	0423-730	1	Clamp
2	0423-342	4	Screw, Self-Tapping	9	0413-206	1	Boot, Duct - Air Out - Rear
3	0413-252	1	Boot, Duct - Air Intake - Front	10	0470-824	1	Duct, Air Out - Rear (inc. three No. 11 and 12-13)
4	0423-019	2	Clamp	11	0623-784	4	● Screw, Self-Tapping
5	0413-250	1	Duct, Air Intake - Front - Lower	12	0470-778	1	● Duct
6	0470-750	1	Duct, Air Intake - Front - Upper	13	0470-825	1	● Duct
7	0470-729	1	Cup, Air Intake				



DRIVE TRAIN ASSEMBLY

0745-861

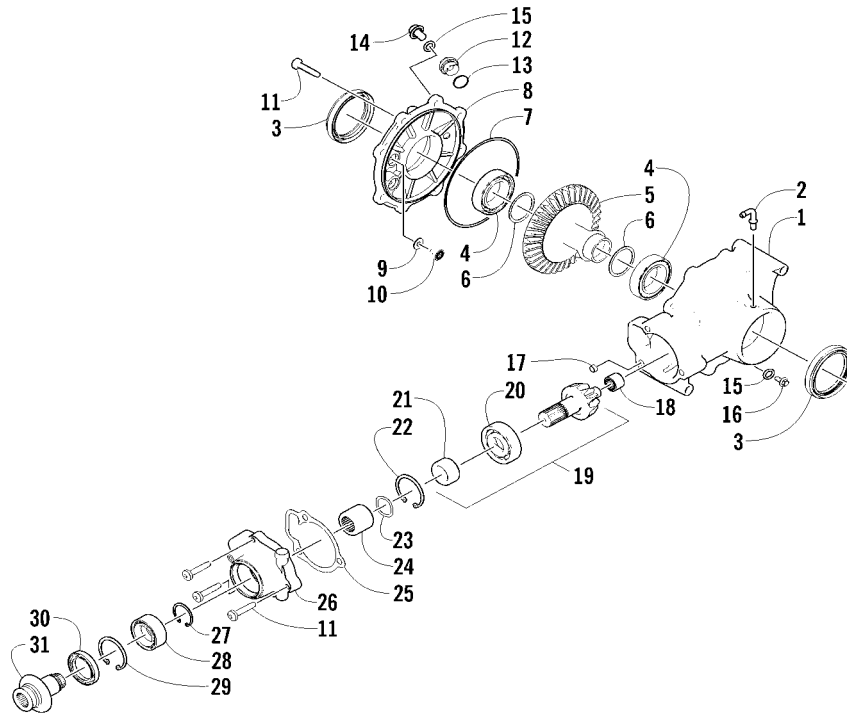
Ref	Part No.	New	Qty	Description	Ref	Part No.	New	Qty	Description
1	2502-091	X	1	Gearcase, Front	9	0402-950		1	Flange, Output
2	1402-620		2	Bladder, Gearcase	10	8408-820		4	Screw, Cap
3	0423-315		2	Clamp, Hose	11	0423-393		2	Clamp
4	8428-002		4	Nut, Lock	12	0402-985		2	Boot
5	0423-426		8	Washer	13	0423-411		2	Clamp
6	0423-404		4	Screw, Cap	14	0673-618		2	Bumper, Propeller Shaft
7	0402-966		1	Boot, Shaft	15	1402-092		1	Shaft, Propeller
8	1402-026		2	Spring	16	2502-088	X	1	Gearcase, Rear



FRONT DRIVE GEARCASE ASSEMBLY

0745-863

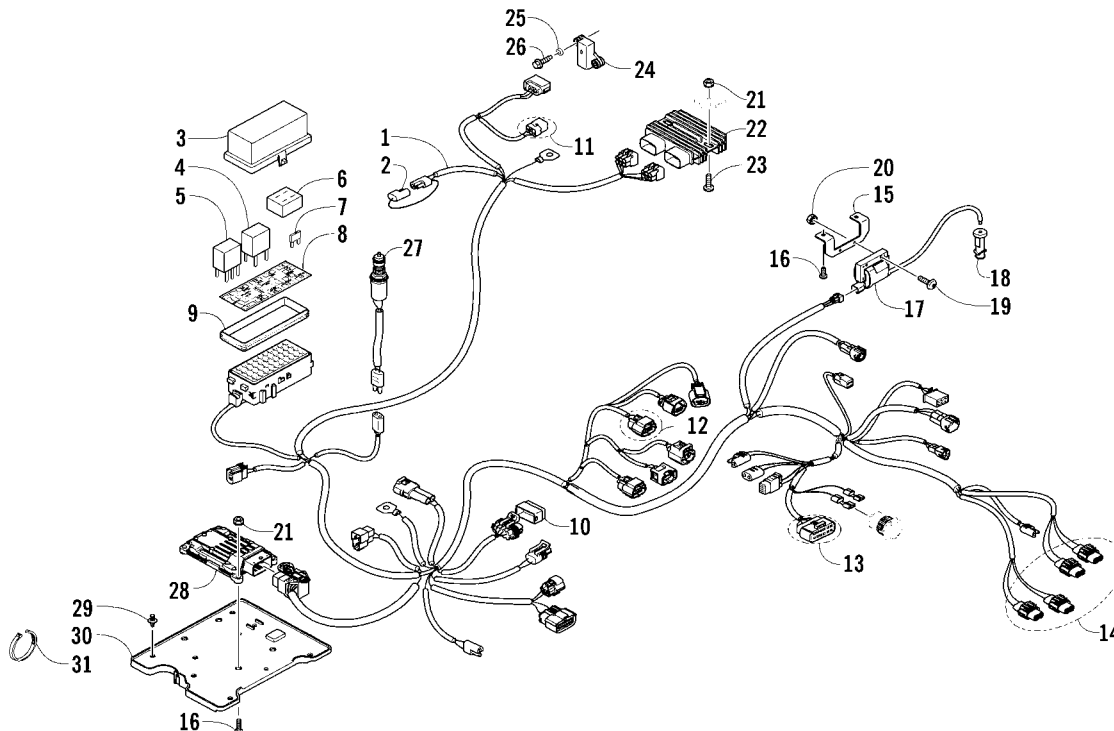
Ref	Part No.	New	Qty	Description	Ref	Part No.	New	Qty	Description
-	2502-091	X	1	Complete Front Drive Gearcase Assembly	32	0402-328		1	Bearing
1	1502-083		1	Shaft, Propeller - Assembly (inc. 2-6)	33	0402-411		1	Pin, Dowel
2	0423-411		1	● Clamp	34	1402-210		1	Plug, Magnetic (inc. one No. 35)
3	0402-985		1	● Boot, Propeller Shaft	35	0423-153		2	● O-Ring
4	0423-393		1	● Clamp	36	0423-149		1	O-Ring
5	1402-045		1	● Shaft, Output	37	0402-393		1	Bearing
6	1502-085		1	● Shaft, Input	38	0402-405		AR	Shim, 41 x 49 x 1.3 mm
7	1402-011		1	Seal		0402-406		AR	Shim, 41 x 49 x 1.4 mm
8	0423-423		1	Ring, Retaining		0402-407		AR	Shim, 41 x 49 x 1.5 mm
9	1502-237		1	Bracket, Actuator		0402-408		AR	Shim, 41 x 49 x 1.6 mm
10	1502-909		1	Actuator (inc. 11)		0402-409		AR	Shim, 41 x 49 x 1.7 mm
11	1402-981		1	● O-Ring	39	1502-859		1	Gear, Ring - 34T
12	0423-892		1	O-Ring	40	1402-074		AR	Shim, 61 x 69 x 1.3 mm
13	0423-396		3	Screw, Self-Tapping		1402-075		AR	Shim, 61 x 69 x 1.4 mm
14	1402-043		1	Bearing		1402-076		AR	Shim, 61 x 69 x 1.5 mm
15	0423-118		11	Screw, Self-Tapping		1402-077		AR	Shim, 61 x 69 x 1.6 mm
16	0502-528		1	Housing, Pinion		1402-078		AR	Shim, 61 x 69 x 1.7 mm
17	0402-947		1	Gasket, Flange	41	2502-104	X	1	Cover, Gearcase (inc. one No. 35, 42-52, and one No. 53)
18	0423-417		1	Ring, Retaining	42	1402-053		1	● Bearing
19	0402-997		1	Shaft, Selector	43	0502-413		1	● Flange, Bearing
20	0423-402		1	Ring, Retaining	44	1402-079		1	● Pin, Parallel
21	0402-998		1	Fork, Selector	45	1402-042		1	● Collar, Sliding
22	0402-417		1	Shaft, Shuttle	46	1402-054		1	● Fork
23	0423-147		1	O-Ring	47	1402-058		2	● Ring, Retaining
24	0402-999		1	Spring, Return	48	1402-057		1	● Spring
25	0402-413		1	Coupler, Drive	49	1402-063		1	● Spring
26	1423-067		1	Ring, Retaining	50	1402-656		1	● Shaft, Lock
27	1502-851		1	Gear, Pinion - Assembly - 11T (inc. 28-29)	51	1402-211		1	● Plug, Oil Level (inc. one No. 35)
28	1402-977		1	● Collar, Retaining	52	1402-056		1	● Seal
29	0402-327		1	● Bearing	53	2402-150	X	2	● Seal
30	1502-856		1	Housing, Gearcase	54	0402-333		1	Plug, Fill (inc. 55)
31	2402-160	X	1	Fitting, Elbow	55	0423-154		1	● O-Ring



REAR DRIVE GEARCASE ASSEMBLY

0745-864

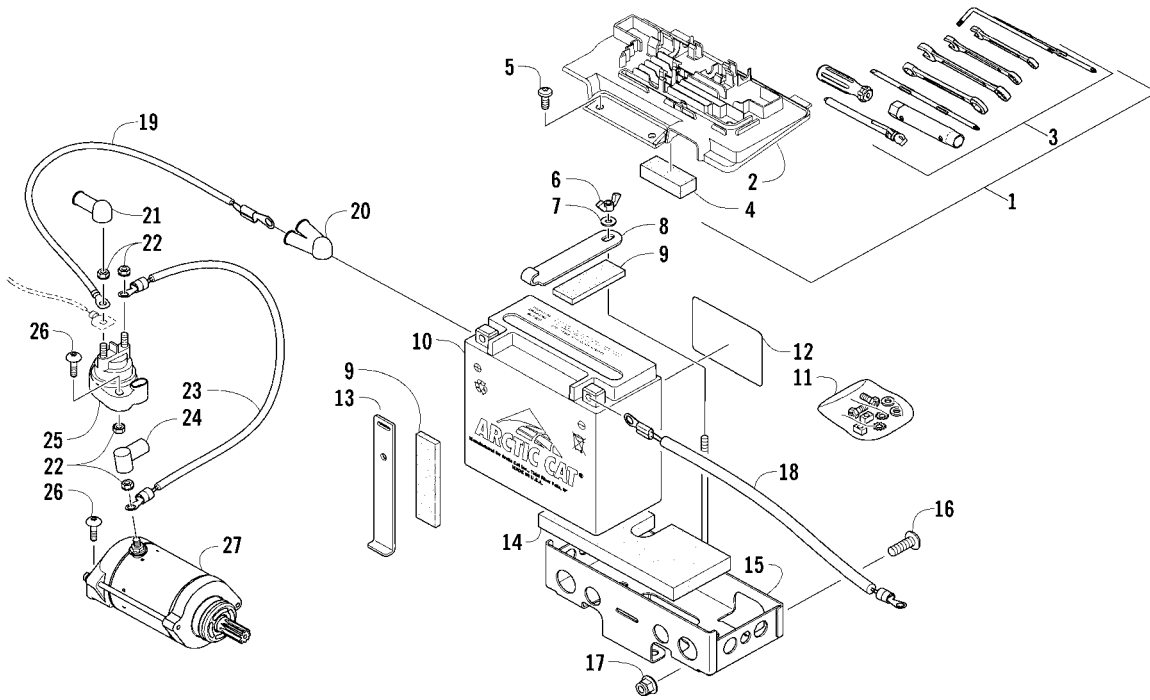
Ref	Part No.	New	Qty	Description	Ref	Part No.	New	Qty	Description
-	2502-088	X	1	Complete Rear Drive Gearcase Assembly	12	0402-333		1	Plug, Magnetic (inc. 13)
1	1502-896		1	Housing, Gearcase	13	0423-154		1	● O-Ring
2	2402-162	X	1	Fitting, Elbow	14	1402-211		1	Plug, Oil Level (inc. one No. 15)
3	2402-150	X	2	Seal	15	0423-153		2	● O-Ring
4	0402-393		2	Bearing	16	1402-210		1	Plug, Fill (inc. one No. 15)
5	1402-033		1	Gear, Ring - 34T	17	0402-411		1	Pin, Dowel
6	0402-405	AR		Shim, 41 x 49 x 1.3 mm	18	0402-328		1	Bearing
	0402-406	AR		Shim, 41 x 49 x 1.4 mm	19	1502-851		1	Gear, Pinion - Assembly - 11T (inc. 20-21)
	0402-407	AR		Shim, 41 x 49 x 1.5 mm	20	0402-327		1	● Bearing
	0402-408	AR		Shim, 41 x 49 x 1.6 mm	21	1402-977		1	● Collar, Retaining
	0402-409	AR		Shim, 41 x 49 x 1.7 mm	22	1423-067		1	Ring, Retaining
7	0423-149		1	O-Ring	23	0402-982		1	Washer, Wave
8	1502-897		1	Cover, Gearcase	24	0402-981		1	Collar, Shaft
9	0402-429	AR		Shim, 6.3 x 18 x 1.3 mm	25	0402-947		1	Gasket, Flange
	0402-430	AR		Shim, 6.3 x 18 x 1.4 mm	26	0502-529		1	Housing, Pinion
	0402-431	AR		Shim, 6.3 x 18 x 1.5 mm	27	0423-417		1	Ring, Retaining
	0402-432	AR		Shim, 6.3 x 18 x 1.6 mm	28	1402-043		1	Bearing
	0402-433	AR		Shim, 6.3 x 18 x 1.7 mm	29	0423-423		1	Ring, Retaining
10	0402-326		1	Button, Thrust	30	1402-011		1	Seal
11	0423-118		11	Screw, Self-Tapping	31	1502-085		1	Shaft, Input



WIRING HARNESS ASSEMBLY

0747-889

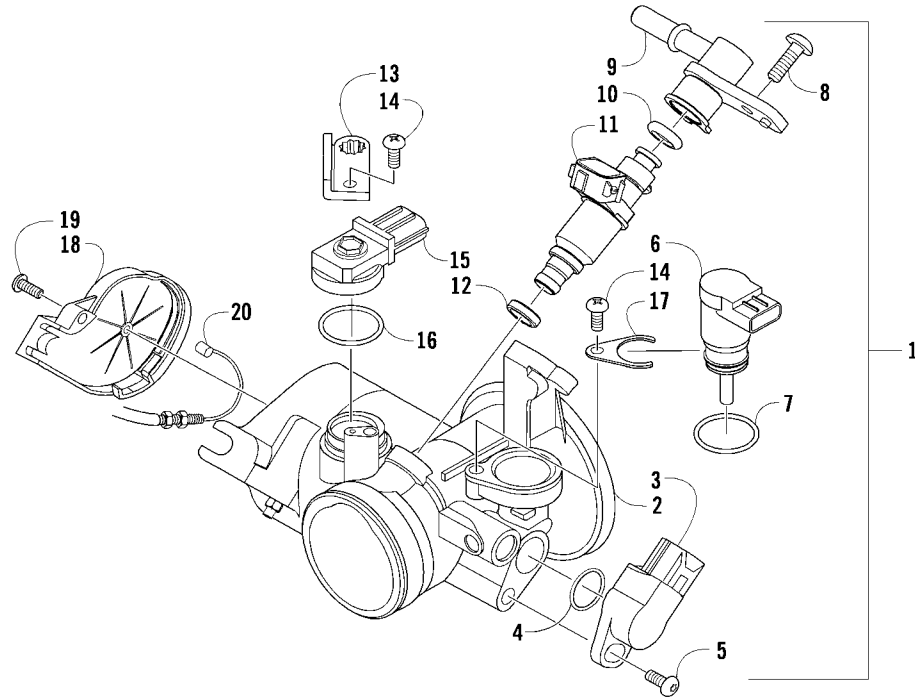
Ref	Part No.	New	Qty	Description	Ref	Part No.	New	Qty	Description
1	0486-510	X	1	Harness, Main (inc. 2-10)	16	8476-620		6	Screw, Machine
2	0486-164		1	● Tether, Accessory Connector	17	0824-071		1	Coil, Ignition (inc. 18)
3	0430-085		1	● Cover, Fuse Block	18	0824-049		1	● Cap, Spark Plug
4	0430-045		2	● Relay (4-Pin) - 20 Amp	19	8468-425		2	Screw, Machine
5	0430-033		1	● Relay (5-Pin) - 30 Amp	20	0423-493		2	Nut w/Washer
6	0430-037		1	● Holder, Fuse	21	0623-038		6	Nut w/Washer
7	0430-032		7	● Fuse - 10 Amp	22	0824-078	X	1	Regulator, Voltage
	0430-031		3	● Fuse - 15 Amp	23	8476-625		2	Screw, Machine
	0430-030		3	● Fuse - 30 Amp	24	0409-064		1	Sensor, Tilt
8	2411-886		1	● Decal, Fuse Block	25	0123-802		2	Washer
9	0430-086		1	● Seal	26	0623-785		2	Screw, Self-Tapping
10	0430-103		1	● Cover, Diagnostics Connector	27	0409-089		1	Switch, Brake - Assembly
11	1436-416		1	Repair Kit, Connector - Tilt Sensor	28	0530-121	X	1	ECM
12	1436-417		1	Repair Kit, Connector - Idle Speed Control	29	0623-362		3	Rivet, Reinstallable
13	1436-818	X	1	Repair Kit, Connector - LCD Gauge	30	2416-181		1	Tray, Electrical
14	1436-289	AR		Repair Kit, Connector - Headlight	31	0123-788		AR	Tie, Cable - 8 in.
15	4406-029	1	1	Bracket, Mounting - Coil		0123-903		AR	Tie, Cable - 11.5 in.



BATTERY AND STARTER ASSEMBLY

0746-740

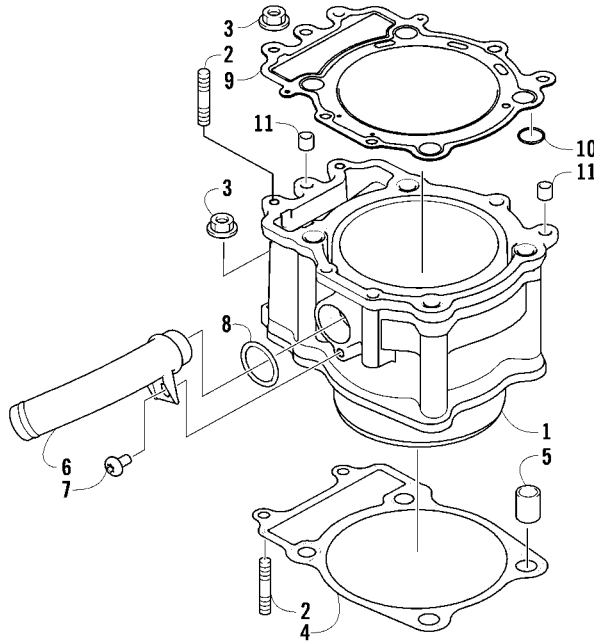
Ref	Part No.	New	Qty	Description	Ref	Part No.	New	Qty	Description
1	5993-041		1	Battery Cover/Tool Tray Assembly (inc. 2-4)	14	0406-227		1	Pad, Foam
2	4506-970		1	● Cover, Battery	15	2516-591		1	Box, Battery
3	0444-122		1	● Kit, Tool	16	8468-820		4	Screw, Machine
4	0417-016		1	● Pad, Battery	17	8427-802		4	Nut, Lock
5	8476-620		2	Screw, Machine	18	0445-084		1	Cable, Battery/Ground
6	0623-325		1	Nut, Wing	19	0445-061		1	Cable, Battery/Solenoid
7	8050-217		1	Washer	20	0445-067		1	Boot, Dual Terminal
8	0645-243		1	Hold-Down, Battery - Top	21	0645-327		1	Boot, Terminal
9	0406-288		2	Pad, Foam	22	0623-038		5	Nut w/Washer
10	0645-480		1	Battery Assembly (inc. 11-12)	23	0445-064		1	Cable, Solenoid/Starter (inc. 24)
11	0445-082		1	● Kit, Hardware	24	0645-019		1	● Boot, Terminal
12	0645-430		1	● Decal, Warning	25	0445-058		1	Solenoid
13	0645-311		1	Hold-Down, Battery - Side	26	8476-625		4	Screw, Machine
					27	0825-024		1	Motor, Starter - Assembly



THROTTLE BODY ASSEMBLY

0742-670

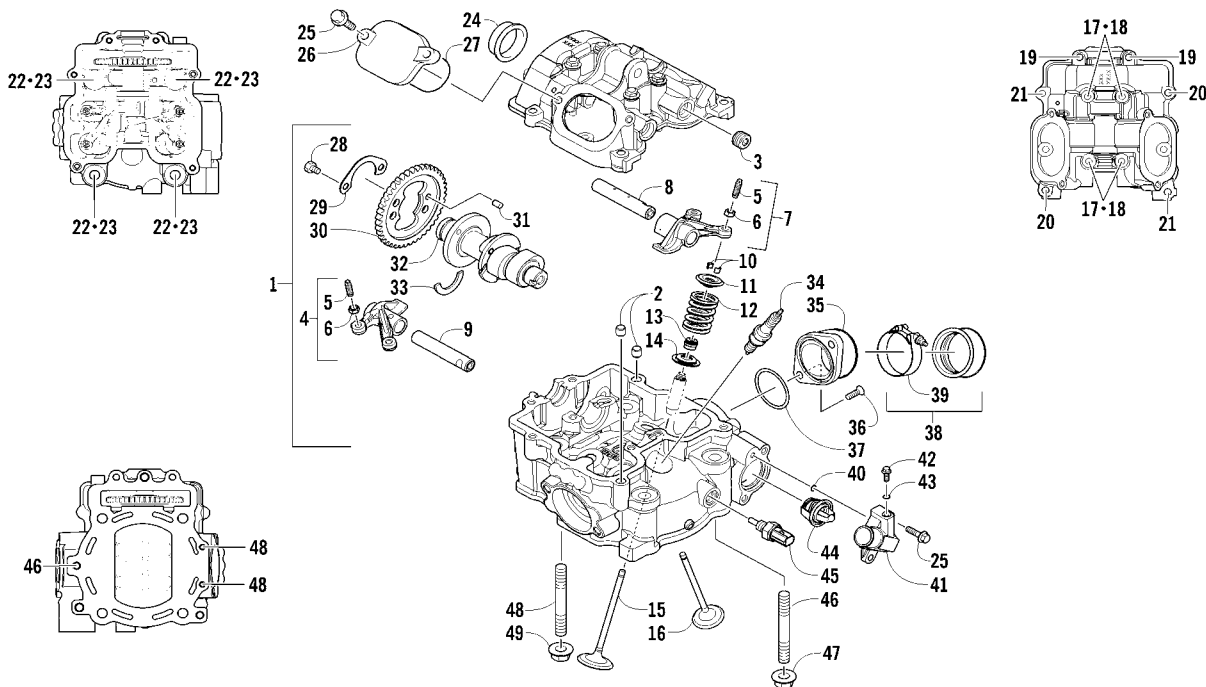
Ref	Part No.	New Qty	Description	Ref	Part No.	New Qty	Description
1	0470-753	1	Throttle - Assembly (inc. 2-19)	11	0470-762	1	● Injector, Fuel
2	-	1	● Throttle Body - Not Serviced Individually	12	0470-768	1	● Seal
3	0430-072	1	● Sensor, Throttle Position	13	5507-227	1	● Bracket, MAP Sensor
4	5507-234	1	● O-Ring	14	5507-117	2	● Screw, Machine
5	5507-231	1	● Screw, Machine	15	0430-073	1	● Sensor, MAP
6	0430-074	1	● Valve, ISC	16	5507-232	1	● O-Ring
7	5507-233	1	● O-Ring	17	5507-229	1	● Plate, ISC Valve
8	5507-238	1	● Screw, Machine	18	5507-223	1	● Cover
9	0470-687	1	● Rail, Fuel	19	5507-037	1	● Screw, Machine
10	0470-767	1	● O-Ring	20	0487-057	1	Cable, Throttle



CYLINDER ASSEMBLY

0743-952

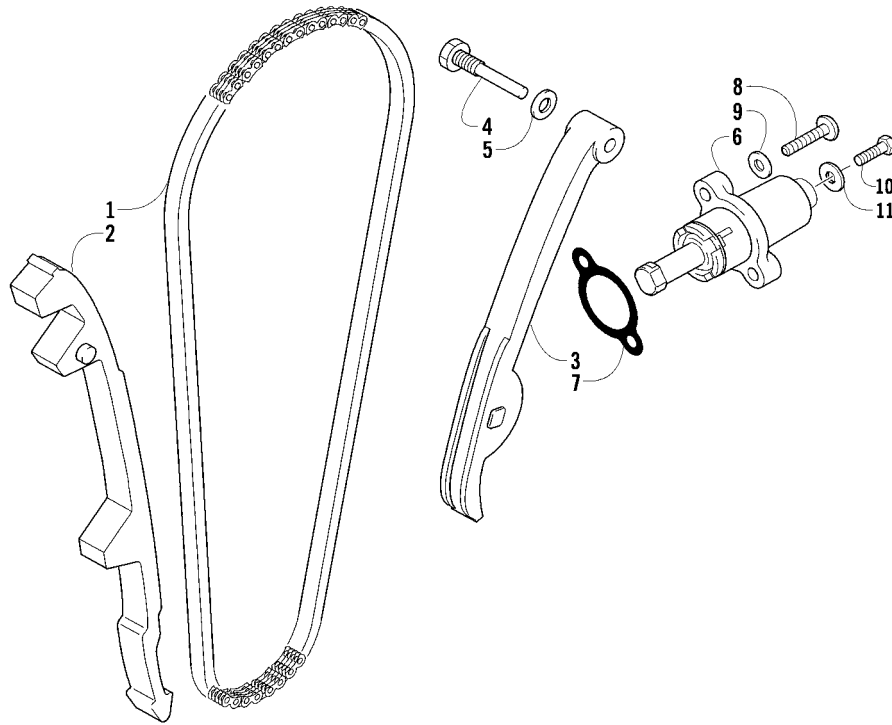
Ref	Part No.	New	Qty	Description	Ref	Part No.	New	Qty	Description
1	0804-060		1	Cylinder	7	8468-612		1	Screw, Machine
2	0827-002		4	Bolt, Stud	8	0830-007		1	O-Ring
3	8424-604		4	Nut	9	0830-112		1	Gasket, Cylinder Head
4	0830-111		1	Gasket, Base	10	0830-113		4	O-Ring
5	0829-002		2	Pin, Dowel	11	0829-062		2	Pin, Dowel
6	0804-047		1	Union, Coolant Hose					



CYLINDER HEAD AND CAMSHAFT/VALVE ASSEMBLY

0745-419

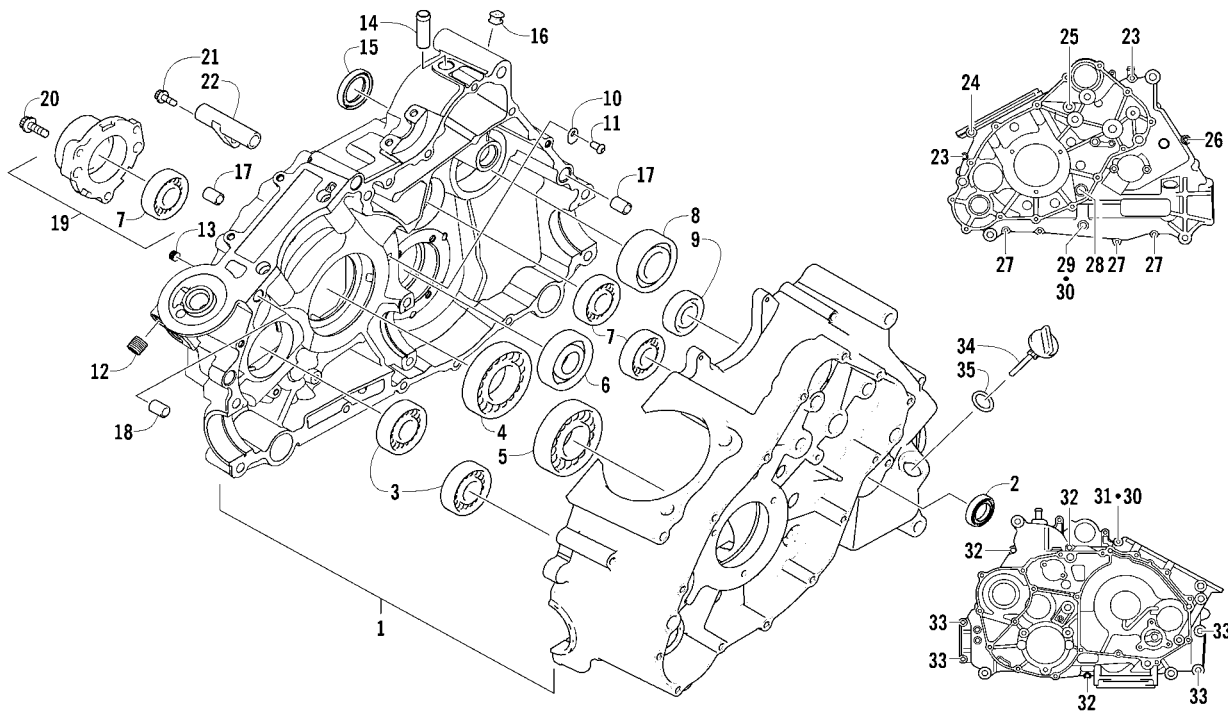
Ref	Part No.	New	Qty	Description	Ref	Part No.	New	Qty	Description
1	0808-226	X	1	Head, Cylinder - Assembly (inc. 2-17)	25	0826-007		6	Screw, Cap
2	0829-062		2	● Pin, Dowel	26	0808-003		2	Cap, Inspection
3	0831-092		2	● Plug, Shaft	27	0830-004		2	O-Ring
4	0809-319	X	1	● Arm, Valve Rocker - Exhaust (inc. two No. 5-6)	28	0826-034		2	Screw, Cap
5	0809-240		4	●● Screw, Adjuster	29	0828-004		1	Plate, Retainer
6	0827-059		4	●● Nut	30	0809-212		1	Sprocket
7	0809-318	X	1	● Arm, Valve Rocker - Intake (inc. two No. 5-6)	31	0829-049		1	Pin, Dowel
8	0809-241		1	● Shaft, Rocker Arm - Intake	32	0809-245		1	Camshaft
9	0809-242		1	● Shaft, Rocker Arm - Exhaust	33	0809-003		1	C-Ring
10	0809-233		8	● Cotter, Valve	34	0217-799		1	Spark Plug - CPR8E
11	0809-232		4	● Retainer, Spring	35	0470-668		1	Flange, Intake Manifold
12	0809-231		4	● Spring, Valve	36	0826-008		2	Screw, Machine
13	0830-186		4	● Seal, Oil	37	0830-090		1	O-Ring
14	0809-215		4	● Seat, Spring - Valve	38	0437-069		1	Boot (inc. 39)
15	0809-228		2	● Valve, Intake	39	1423-041		1	● Clamp
16	0809-229		2	● Valve, Exhaust	40	0830-168		1	O-Ring
17	0826-149		4	● Screw, Cap	41	0808-208		1	Cover, Thermostat (inc. 42-43)
18	0830-155		4	Gasket	42	8408-512		1	● Screw, Cap
19	0826-002		2	Screw, Cap	43	0423-182		1	● O-Ring
20	0826-005		2	Screw, Cap	44	0808-078		1	Thermostat
21	0826-006		2	Screw, Cap	45	0808-124		1	Sensor, Engine Coolant Temperature
22	0808-037		4	Screw, Cap	46	0827-031		1	Bolt, Stud
23	0830-147		4	Washer	47	8424-804		1	Nut
24	0808-077		1	Plug, Cylinder Head	48	0827-054		2	Bolt, Stud
					49	8424-604		2	Nut



CAM CHAIN ASSEMBLY

0732-308

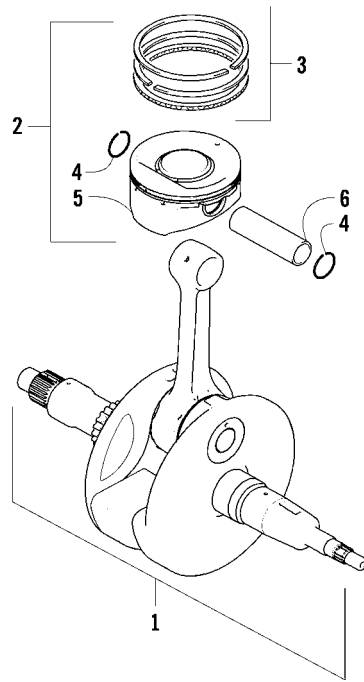
Ref	Part No.	New Qty	Description	Ref	Part No.	New Qty	Description
1	0810-001	1	Chain, Cam	7	0830-018	1	Gasket
2	0810-002	1	Guide, Chain	8	8468-625	2	Screw, Machine
3	0810-003	1	Tensioner, Chain	9	0830-107	2	Gasket
4	0826-036	1	Pivot, Tensioner	10	8400-610	1	Screw, Cap
5	0830-025	1	Washer, Crush	11	0828-129	1	Washer
6	0810-004	1	Adjuster, Tensioner - Assembly				



CRANKCASE ASSEMBLY

0746-854

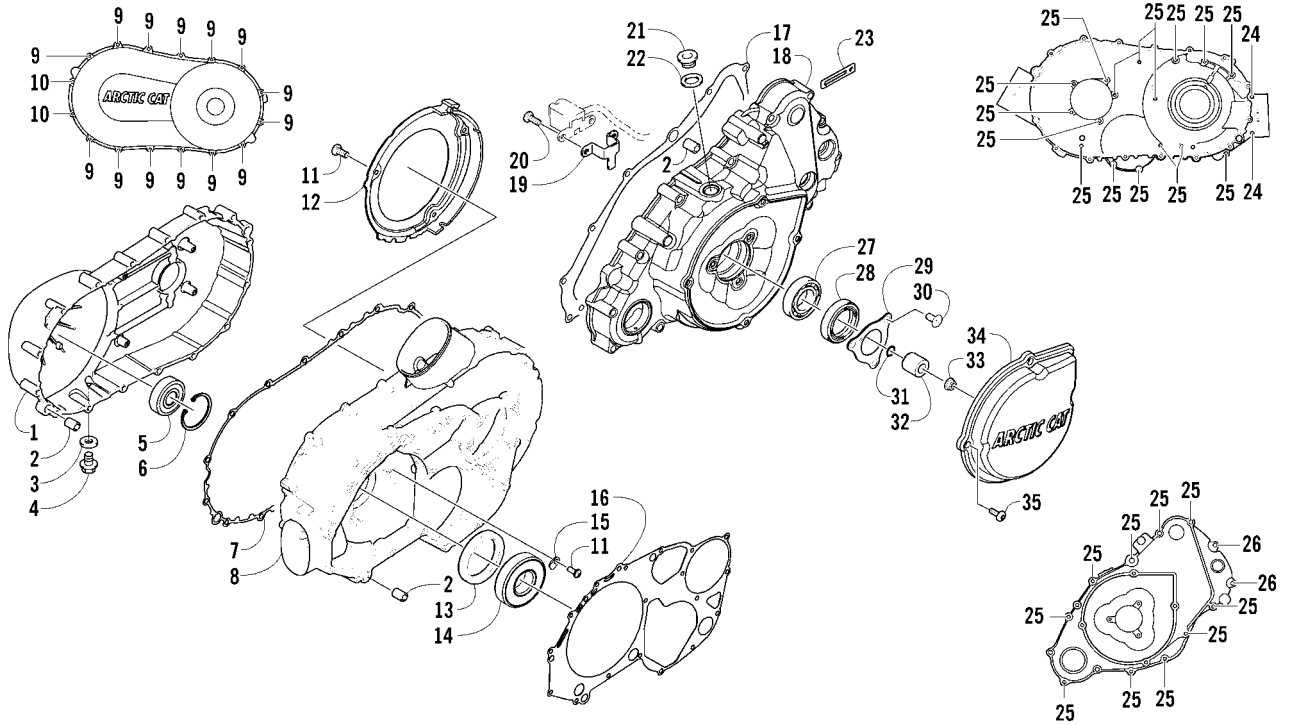
Ref	Part No.	New Qty	Description	Ref	Part No.	New Qty	Description
1	0801-151	1	Crankcase Assembly (inc. 2-15)	19	0801-029	1	Housing, Secondary Shaft (inc. one No. 7)
2	0822-052	1	● Seal, Countershaft	20	0826-105	3	Screw, Cap
3	0832-005	2	● Bearing	21	0826-038	1	Screw, Cap
4	0832-042	1	● Bearing	22	0801-069	1	Pipe, Breather
5	0832-043	1	● Bearing	23	8468-675	2	Screw, Machine
6	0832-077	1	● Bearing	24	0826-019	1	Screw, Cap
7	0832-050	3	● Bearing	25	8468-680	1	Screw, Machine
8	0832-048	1	● Bearing	26	8468-695	1	Screw, Machine
9	0832-049	1	● Bearing	27	8468-645	3	Screw, Machine
10	0822-010	4	● Retainer, Bearing	28	0826-017	1	Screw, Cap
11	0826-100	4	● Screw, Machine	29	8412-860	1	Screw, Cap
12	0812-064	2	● Plug	30	0830-008	2	Gasket
13	0801-002	1	● Plug	31	0826-018	1	Screw, Cap
14	0801-028	1	● Pipe, Breather	32	8468-655	3	Screw, Machine
15	0830-035	1	● Seal, Driveshaft	33	8412-850	4	Screw, Cap
16	0830-217	1	Grommet	34	0801-179	1	Stick, Oil Level
17	0829-002	5	Pin, Dowel	35	0830-010	1	O-Ring
18	0829-003	1	Pin, Dowel				



CRANKSHAFT AND PISTON ASSEMBLY

0739-932

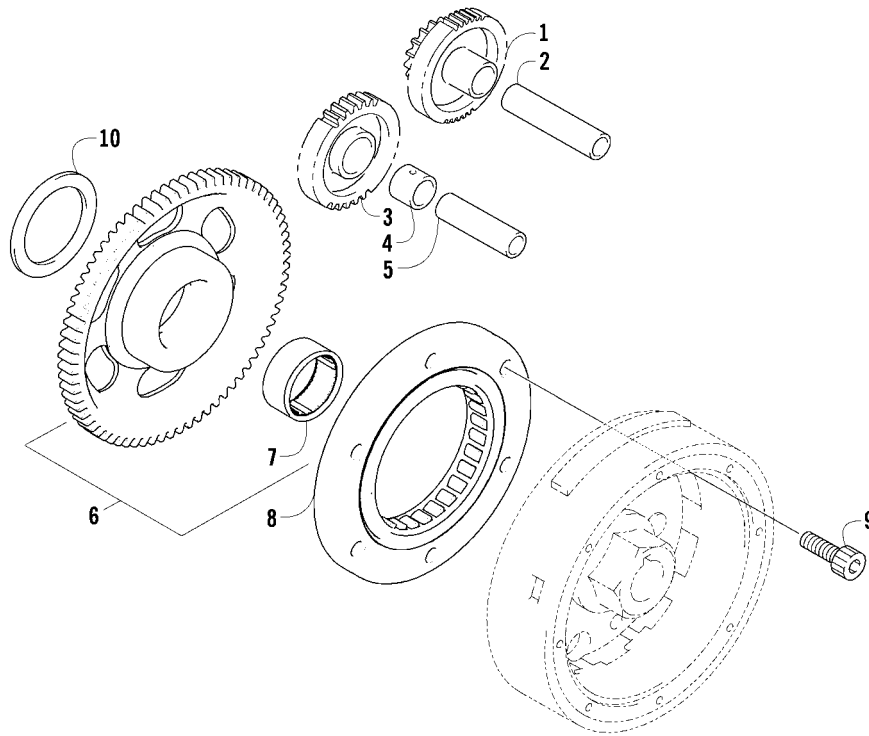
Ref	Part No.	New Qty	Description	Ref	Part No.	New Qty	Description
1	0805-326	1	Crankshaft Assembly	4	0831-001	2	● Circlip, Piston Pin
2	0805-297	1	Piston Set (inc. 3-6)	5	0805-296	1	● Piston
3	0805-132	1	● Ring, Piston - Set	6	0805-210	1	● Pin, Piston



CLUTCH/V-BELT/MAGNETO COVER ASSEMBLY

0746-612

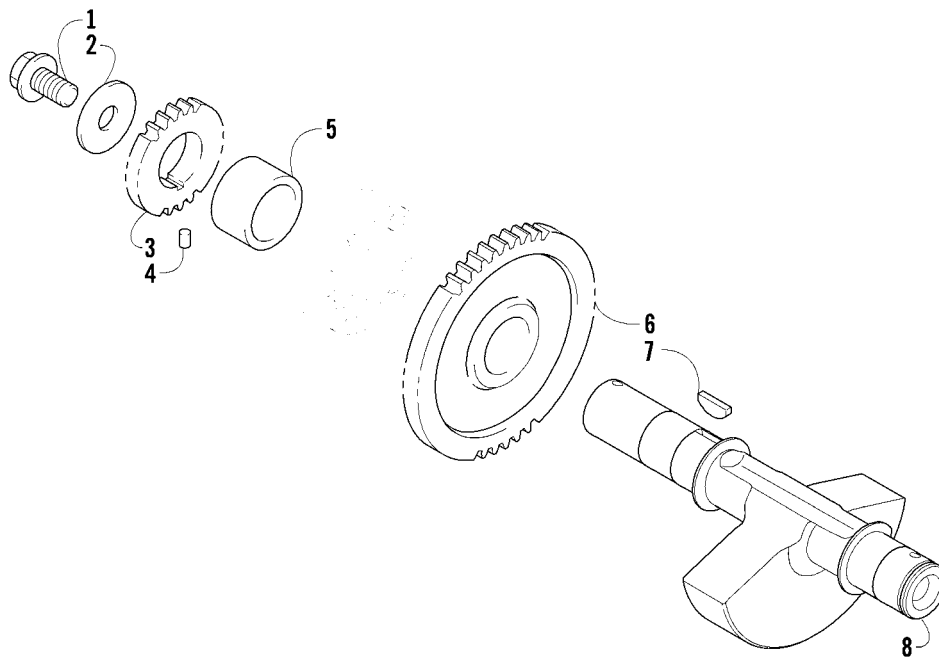
Ref	Part No.	New Qty	Description	Ref	Part No.	New Qty	Description
1	0806-089	1	Cover, V-Belt	19	0802-071	1	● Clamp, Routing
2	0829-002	6	Pin, Dowel	20	8470-510	2	Screw, Machine
3	0830-013	1	Washer, Crush	21	0826-155	1	Plug
4	8408-812	1	Screw, Cap	22	0830-015	1	Washer, Crush
5	0832-060	1	Bearing	23	1623-984	1	Clamp, Routing
6	0831-078	1	Ring, Retaining	24	8468-675	2	Screw, Machine
7	0830-174	1	Gasket, V-Belt Cover	25	8468-640	26	Screw, Machine
8	0806-086	1	Cover, Clutch	26	8468-625	2	Screw, Machine
9	8468-645	14	Screw, Machine	27	1602-981	1	Bearing
10	8468-655	2	Screw, Machine	28	0830-158	1	Seal
11	0826-029	5	Screw, Machine	29	0805-008	1	Retainer, Seal
12	0806-048	1	Plate, Air Intake	30	0826-031	3	Screw, Machine
13	0830-188	1	Seal	31	0830-108	1	O-Ring
14	0832-009	1	Bearing	32	0820-061	1	Bushing
15	0822-010	2	Retainer, Bearing	33	0827-008	1	Nut
16	0830-116	1	Gasket, Clutch Cover	34	0820-062	1	Cover, Magneto
17	0830-128	1	Gasket, Magneto Cover	35	8468-616	4	Screw, Machine
18	0806-127	1	Cover, Magneto - Assembly (inc. 19)				



STARTER CLUTCH ASSEMBLY

0739-940

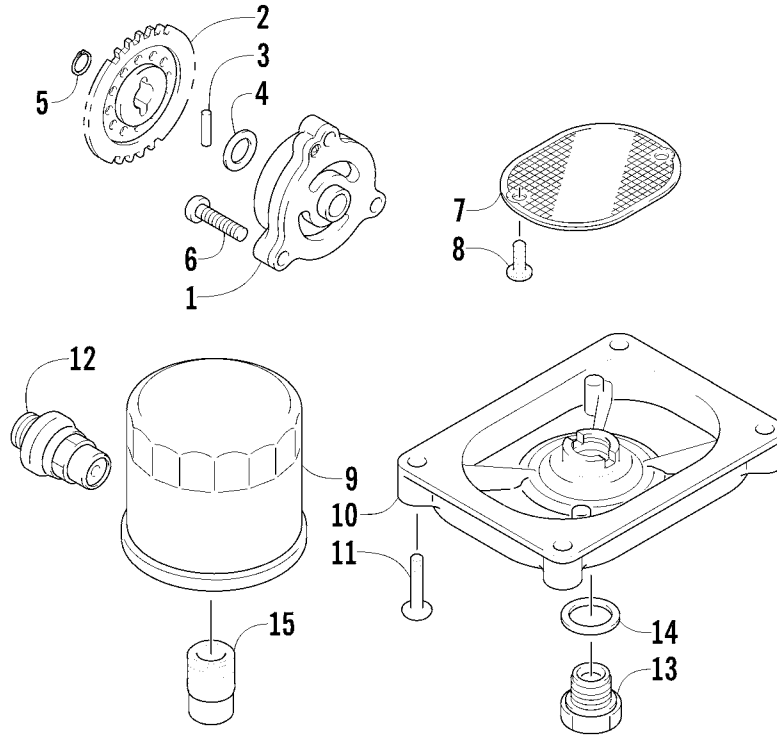
Ref	Part No.	New Qty	Description	Ref	Part No.	New Qty	Description
1	0815-001	1	Gear, Starter Idler - No. 1	6	0815-004	1	Gear, Starter Clutch (inc. 7)
2	0829-031	1	Shaft, Starter Gear	7	0832-079	1	● Bearing
3	0815-002	1	Gear, Starter Idler - No. 2	8	0802-035	1	Clutch, Starter
4	0815-003	1	Spacer, Starter Idler Gear No. 2	9	0826-069	6	Screw, Cap
5	0829-032	1	Shaft, Starter Gear	10	0828-094	1	Washer



CRANK BALANCER ASSEMBLY

0739-941

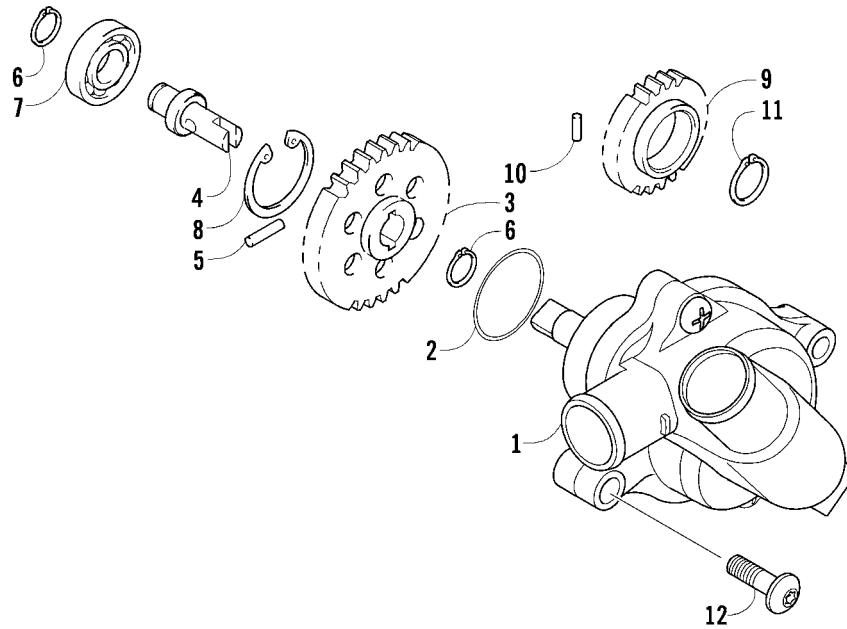
Ref	Part No.	New Qty	Description	Ref	Part No.	New Qty	Description
1	0826-033	1	Screw, Cap	5	0811-004	1	Spacer
2	0828-003	1	Washer	6	0811-034	1	Gear, Driven
3	0811-003	1	Gear, Oil Pump Drive	7	0829-006	1	Key
4	0829-007	1	Pin, Dowel	8	0805-304	1	Balancer, Crank



OIL FILTER/PUMP ASSEMBLY

0744-012

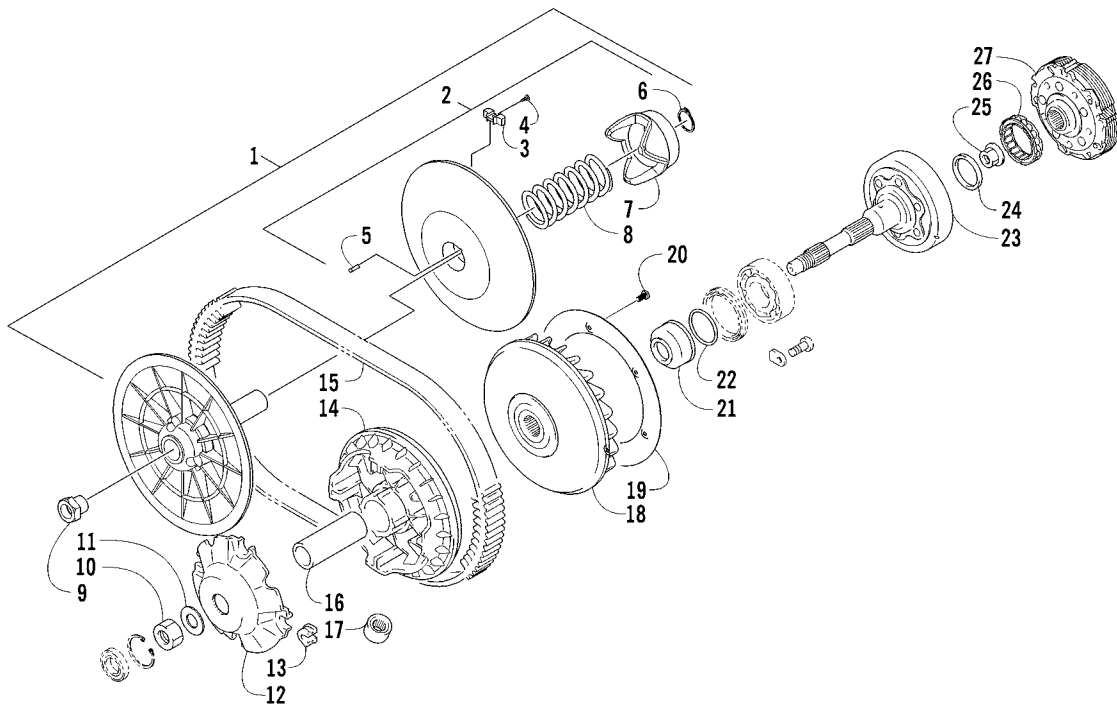
Ref	Part No.	New Qty	Description	Ref	Part No.	New Qty	Description
1	0812-023	1	Pump, Oil	9	0812-034	1	Filter, Oil
2	0812-083	1	Gear, Driven	10	0812-053	1	Cap, Oil Strainer
3	0829-009	1	Pin	11	8468-625	4	Screw, Machine
4	0828-007	1	Washer	12	0812-007	1	Valve, Oil-Relief - Assembly
5	0831-002	1	Ring, Retaining	13	0812-006	1	Plug, Drain
6	0826-039	3	Screw, Machine	14	0830-017	1	Gasket, Drain Plug
7	0812-057	1	Strainer, Oil	15	0812-066	1	Union, Filter
8	0826-040	2	Screw, Machine				



WATER PUMP ASSEMBLY

0739-945

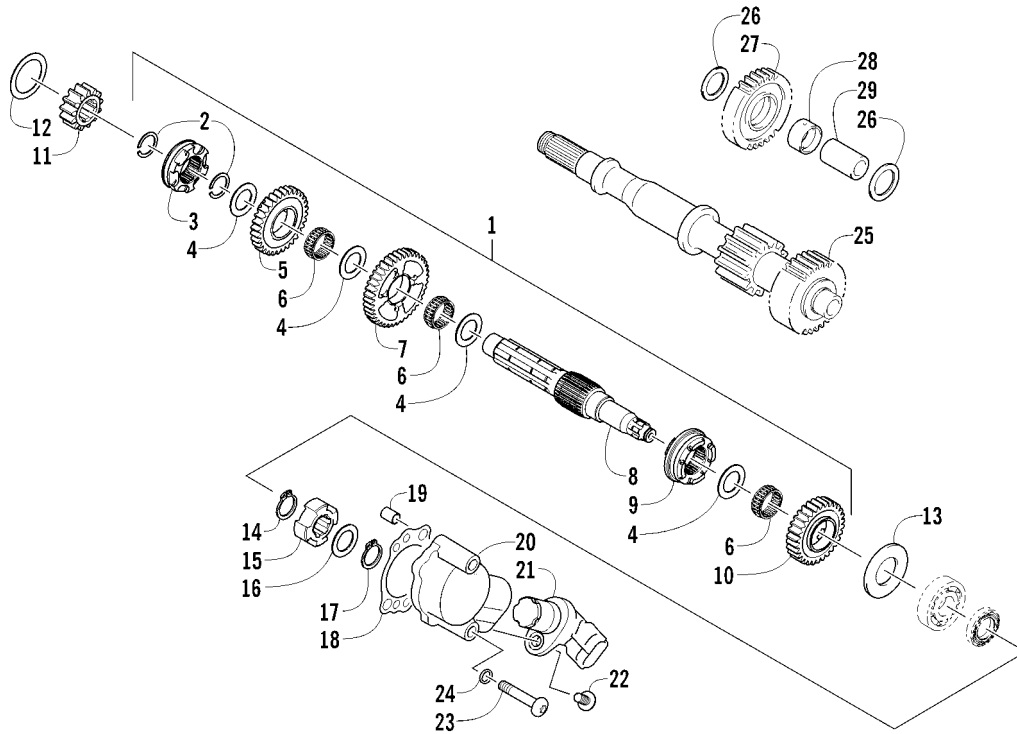
Ref	Part No.	New Qty	Description	Ref	Part No.	New Qty	Description
1	0813-001	1	Pump, Water - Assembly (inc. 2)	7	0832-046	1	Bearing, Shaft
2	0830-029	1	● O-Ring	8	0831-004	1	Ring, Retaining
3	0813-004	1	Gear, Driven	9	0811-003	1	Gear, Water Pump Drive
4	0813-005	1	Shaft, Driven Gear	10	0829-007	1	Pin, Alignment
5	0829-009	1	Pin, Driven Gear	11	0831-005	1	Ring, Retaining
6	0831-002	2	Ring, Retaining	12	8468-665	2	Screw, Machine



TRANSMISSION ASSEMBLY

0747-836

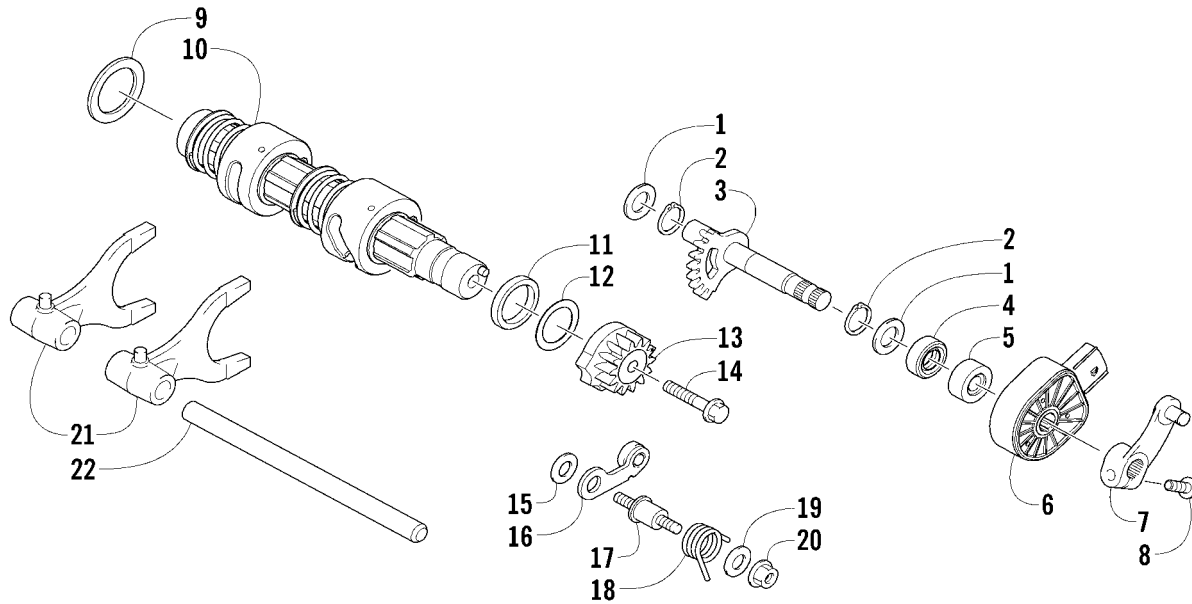
Ref	Part No.	New	Qty	Description	Ref	Part No.	New	Qty	Description
1	0823-432	X	1	Pulley, Driven - Assembly (inc. 2-9)	15	0823-013		1	Belt, Drive
2	0823-456	X	1	● Pulley, Driven - Uncalibrated (inc. 3-6)	16	0823-271		1	Spacer
3	0823-454	X	3	●● Shoe, Cam	17	0823-167		8	Roller
4	0823-177		3	●● Screw, Machine	18	0823-272		1	Face, Fixed Drive
5	0823-383	X	1	●● Key	19	0823-131		1	Shroud, Drive Face
6	0823-455	X	1	●● Ring, Snap - External	20	0623-914		6	Screw, Self-Tapping
7	0823-453	X	1	● Cam	21	0823-015		1	Spacer, Fixed Drive Face
8	0823-377	X	1	● Spring - Black	22	0470-531		1	O-Ring
9	0823-457	X	1	● Nut	23	0821-002		1	Housing, Clutch - Assembly
10	0827-010		1	Nut	24	0830-189		1	Seal
11	0828-106		1	Washer	25	0827-011		1	Nut
12	0823-276		1	Plate, Movable Drive Face	26	0823-018		1	Clutch, One-Way
13	0823-277		4	Damper, Movable Drive Face	27	0823-484	X	1	Clutch, Centrifugal - 6 Plate
14	0823-273		1	Face, Movable Drive					



SECONDARY TRANSMISSION ASSEMBLY

0745-260

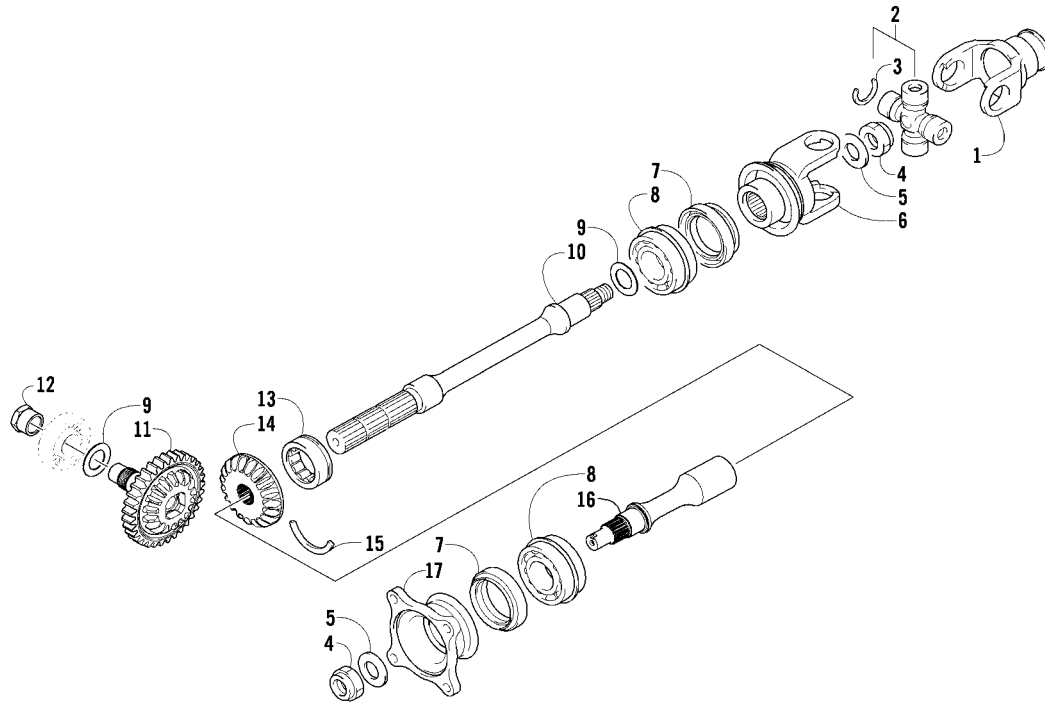
Ref	Part No.	New Qty	Description	Ref	Part No.	New Qty	Description
1	0822-144	1	Countershaft Assembly (inc. 2-10)	16	0828-069	1	Washer, Thrust
2	0831-085	2	● Ring, Retaining	17	0831-039	1	Ring, Retaining
3	0822-120	1	● Gear Select, Reverse	18	0830-129	1	Gasket
4	0822-121	4	● Shim	19	0829-023	2	Pin, Dowel
5	0822-119	1	● Gear, Reverse Driven	20	0822-049	1	Housing, Speedometer Sensor
6	0832-082	3	● Bearing	21	0430-091	1	Sensor, Speedometer
7	0822-114	1	● Gear, Driven - Low	22	8468-620	1	Screw, Machine
8	0822-113	1	● Countershaft	23	8468-645	2	Screw, Machine
9	0822-145	1	● Gear Select, Sliding	24	0830-107	2	Gasket
10	0822-148	1	● Gear, Driven - High	25	0822-001	1	Driveshaft
11	0822-125	1	Gear, Drive	26	0828-016	2	Washer, Thrust
12	0828-019	1	Washer, Thrust	27	0822-011	1	Gear, Reverse Idle
13	0828-011	1	Washer	28	0822-012	1	Bushing
14	0831-040	1	Ring, Retaining	29	0822-015	1	Shaft, Reverse Idle
15	0822-050	1	Trigger, Speedometer Sensor				



GEAR SHIFTING ASSEMBLY

0746-855

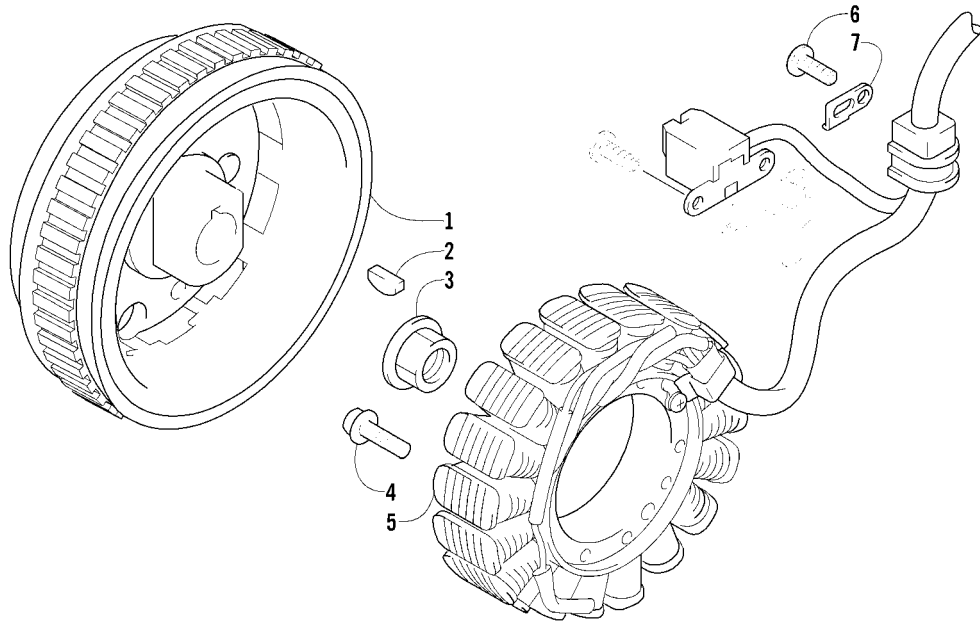
Ref	Part No.	New Qty	Description	Ref	Part No.	New Qty	Description
1	0828-036	2	Washer	12	0828-037	1	Washer
2	0831-010	2	Ring, Retaining	13	0818-143	1	Cam, Gear Shift
3	0818-155	1	Shaft, Sub-Gear Shift	14	0826-006	1	Screw, Cap
4	0830-044	1	Seal, Sub-Gear Shift Shaft	15	0828-038	1	Washer
5	0818-152	1	Spacer	16	0818-002	1	Stopper, Cam
6	0409-125	1	Switch, Gear Position	17	0818-004	1	Support, Cam Stopper
7	0818-014	1	Arm, Select	18	0818-144	1	Spring
8	8468-620	1	Screw, Machine	19	0828-035	1	Washer
9	0828-040	1	Washer	20	8424-602	1	Nut
10	0818-149	1	Shaft, Gear Shift - Assembly	21	0818-072	2	Fork, Shift
11	0828-131	1	Spacer	22	0818-006	1	Shaft, Shift Fork



SECONDARY DRIVE ASSEMBLY

0743-766

Ref	Part No.	New Qty	Description	Ref	Part No.	New Qty	Description
1	0819-063	1	Yoke, Propeller Shaft Joint	10	0819-115	1	Shaft, Secondary Driven - Front
2	1402-164	1	Joint, Universal - Set (inc. 3)	11	0822-131	1	Gear, Secondary Drive
3	0423-450	4	● Ring, Retaining	12	0827-052	1	Nut
4	0827-013	2	Nut	13	0832-016	1	Bearing
5	0828-020	2	Washer	14	0822-106	1	Gear, Secondary Driven
6	0819-061	1	Yoke, Drive Output - Front	15	0819-011	1	Ring, Driven Bearing
7	0830-043	2	Seal, Oil	16	0819-053	1	Shaft, Secondary Driven - Rear
8	0832-017	2	Bearing	17	0819-005	1	Flange, Output Joint - Rear
9	0828-021	AR	Shim, 25 x 34 x 0.25 mm				
	0828-022	AR	Shim, 25 x 34 x 0.30 mm				
	0828-023	AR	Shim, 25 x 34 x 0.70 mm				
	0828-024	AR	Shim, 25 x 34 x 0.90 mm				
	0828-025	AR	Shim, 25 x 34 x 0.95 mm				
	0828-026	AR	Shim, 25 x 34 x 1.00 mm				
	0828-027	AR	Shim, 25 x 34 x 1.05 mm				
	0828-028	AR	Shim, 25 x 34 x 1.10 mm				
	0828-029	AR	Shim, 25 x 34 x 1.15 mm				



MAGNETO ASSEMBLY

0746-613

Ref	Part No.	New Qty	Description	Ref	Part No.	New Qty	Description
1	0802-062	1	Rotor/Flywheel	5	0802-065	1	Stator - Assembly
2	0829-012	1	Key	6	8470-510	1	Screw, Machine
3	0827-014	1	Nut	7	0802-015	1	Clamp - No. 1
4	8409-632	3	Screw, Cap				

