

# 2014 ARCTIC CAT®

## ILLUSTRATED PARTS MANUAL



### **700 LTD**

***Model Number A2014ALT1PUSE***

***Model Number A2014ALT1PUSD***

***Model Number A2014ALT1PUSH***

***Model Number A2014ALT1POSE - International***

***Model Number A2014ALT1POSD - International***

***Model Number A2014ALT1POSH - International***

**ARCTIC CAT®**  
SHARE OUR PASSION™

[www.arcticcat.com](http://www.arcticcat.com)

# TABLE OF CONTENTS

## 2014 ATV 700 LTD

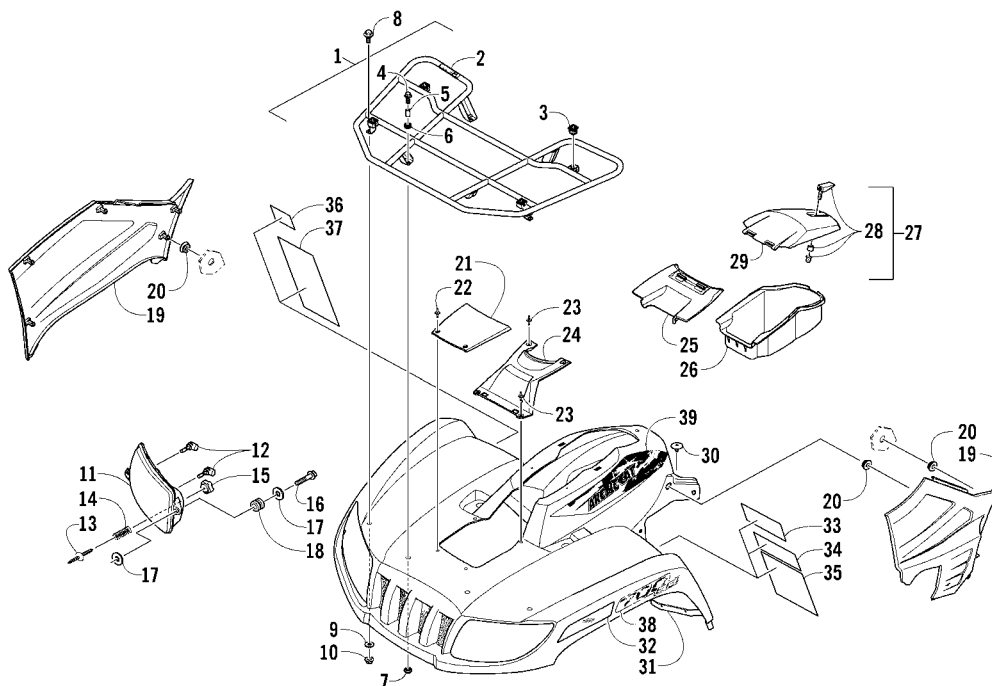
(Model No. A2014ALT1PUSE) (A2014ALT1POSE - Int.)

(Model No. A2014ALT1PUSD) (A2014ALT1POSD - Int.)

(Model No. A2014ALT1PUSH) (A2014ALT1POSH - Int.)

FRONT RACK, BODY PANEL, AND HEADLIGHT ASSEMBLIES .....	1
REAR RACK, BODY PANEL, AND FOOTWELL ASSEMBLIES (1PUSE/1POSE/1PUSD/1POSD) .....	2
REAR RACK, BODY PANEL, AND FOOTWELL ASSEMBLIES (1PUSH/1POSH) .....	3
FRAME AND RELATED PARTS .....	4
WINCH ASSEMBLY .....	5
TAILLIGHT ASSEMBLY .....	6
SEAT ASSEMBLY .....	7
STEERING ASSEMBLY .....	8
HANDLEBAR ASSEMBLY .....	9
INSTRUMENT POD ASSEMBLY .....	10
FRONT SUSPENSION ASSEMBLY .....	11
REAR SUSPENSION ASSEMBLY .....	12
SWAYBAR ASSEMBLY .....	13
WHEEL AND TIRE ASSEMBLY (1PUSE/1POSE/1PUSD/1POSD) .....	14
WHEEL AND TIRE ASSEMBLY (1PUSH/1POSH) .....	15
HYDRAULIC BRAKE ASSEMBLY .....	16
GAS TANK ASSEMBLY .....	17
SHIFT LEVER ASSEMBLY .....	18
AIR INTAKE ASSEMBLY .....	19
ENGINE AND EXHAUST .....	20
COOLING ASSEMBLY .....	21
CASE/BELT COOLING ASSEMBLY .....	22
DRIVE TRAIN ASSEMBLY .....	23
FRONT DRIVE GEARCASE ASSEMBLY .....	24
WIRING HARNESS ASSEMBLY .....	25
BATTERY AND STARTER ASSEMBLY .....	26
THROTTLE BODY ASSEMBLY .....	27
CYLINDER ASSEMBLY .....	28
CYLINDER HEAD AND CAMSHAFT/VALVE ASSEMBLY .....	29
CAM CHAIN ASSEMBLY .....	30
CRANKCASE ASSEMBLY .....	31
CRANKSHAFT AND PISTON ASSEMBLY .....	32
CLUTCH/V-BELT/MAGNETO COVER ASSEMBLY .....	33
STARTER CLUTCH ASSEMBLY .....	34
CRANK BALANCER ASSEMBLY .....	35
OIL FILTER/PUMP ASSEMBLY .....	36
WATER PUMP ASSEMBLY .....	37
TRANSMISSION ASSEMBLY .....	38
SECONDARY TRANSMISSION ASSEMBLY .....	39
GEAR SHIFTING ASSEMBLY .....	40
SECONDARY DRIVE ASSEMBLY .....	41
MAGNETO ASSEMBLY .....	42

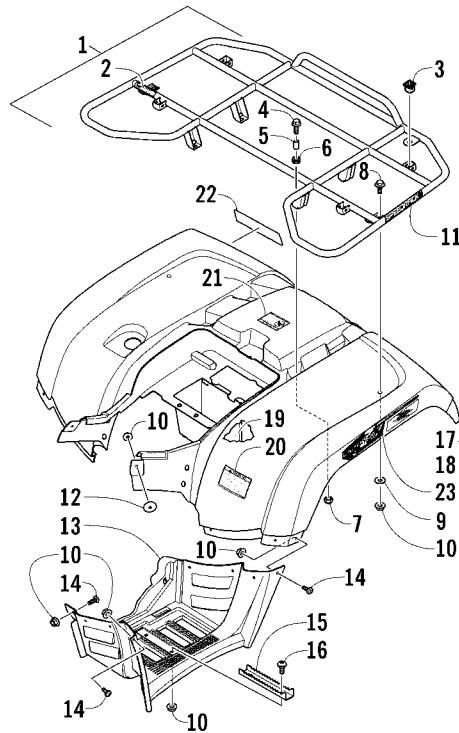
■ **NOTE:** The illustrations used in this Parts Manual are for reference to replacement part numbers only and are not to be used for assembly. For assembly procedures, use an Arctic Cat Service Manual. For a complete list of related items, refer to the current accessory catalog.



## FRONT RACK, BODY PANEL, AND HEADLIGHT ASSEMBLIES

0747-432

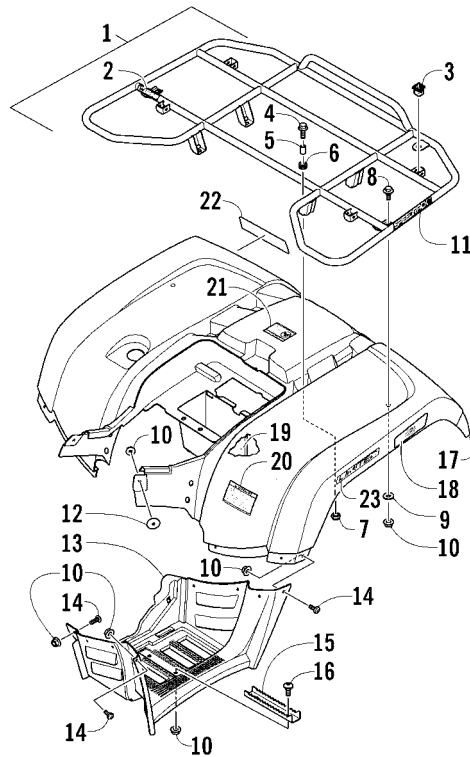
Ref	Part No.	New	Qty	Description	Ref	Part No.	New	Qty	Description
1	2506-643		1	Rack, Front - Assembly (inc. 2-3)	30	0423-101		2	Screw, Shoulder
2	0411-576		1	● Decal, Warning - Load	31	4506-942		1	Panel, Fender - Assembly - Front - Metallic Red (inc. 32-37) (1PUSE/1POSE)
3	0441-592		4	● Bushing				1	Panel, Fender - Assembly - Front - Blue (inc. 32-37) (1PUSED/1POSD)
4	8410-835		4	Screw, Cap		2516-967		1	Panel, Fender - Assembly - Front - Camo (inc. 32-37) (1PUSH/1POSH)
5	0423-669		4	Spacer				1	● Decal, Reflector - Right - Amber
6	0423-465		4	Grommet				1	● Decal, Reflector - Left - Amber
7	8432-802		4	Nut, Lock				1	● Decal, Warning - Off-Road Only
8	0423-654		2	Screw, Shoulder				1	● Decal, Warning - Age
9	8050-222		2	Washer				1	● Decal, Warning - General
10	8427-602		2	Nut, Lock				1	● Decal, Warning - Turn/Hill
11	0509-044		1	Headlight Assembly - Right (inc. 12)	32	0411-818		1	● Decal, Warning - Reverse/Pre-Ride
12	0509-035		1	Headlight Assembly - Left (inc. 12)		0411-819		1	Decal, "700 EFI" (1PUSE/1POSE)
13	0409-055		4	● Bulb, Headlight		1411-574		1	Decal, "700 EFI" (1PUSED/1POSD)
14	0423-514		2	Stud, Adjuster - Headlight		1411-804		1	Decal, "700 EFI" (1PUSH/1POSH)
15	0423-513		2	Spring, Adjuster		1411-932		1	Decal, Side - Upper Right (1PUSED/1POSD)
16	0423-513		2	Knob, Adjuster		0411-835		1	Decal, Side - Upper Right (1PUSH/1POSH)
17	0623-785		4	Screw, Self-Tapping		1411-250		1	Decal, Side - Upper Left (1PUSE/1POSE)
18	8050-217		8	Washer		1411-535	X	2	Decal, Side - Upper Right (1PUSED/1POSD)
19	0423-447		4	Grommet		3411-538	X	2	Decal, Side - Upper Left (1PUSED/1POSD)
20	2406-300		1	Panel, Side - Lower - Right		3411-961	X	2	Decal, Side - Upper Right (1PUSED/1POSD)
21	2406-419		1	Panel, Side - Lower - Left	39	3411-586	X	1	Decal, Side - Upper Right (1PUSH/1POSH)
22	0423-678		8	Grommet		3411-587	X	1	Decal, Side - Upper Left (1PUSE/1POSE)
23	1406-358		1	Cover, Access		3411-584	X	1	Decal, Side - Upper Right (1PUSED/1POSD)
24	0423-535		2	Rivet, Reinstallable		3411-585	X	1	Decal, Side - Upper Left (1PUSED/1POSD)
25	0623-362		4	Rivet, Reinstallable		3411-582	X	1	Decal, Side - Upper Right (1PUSH/1POSH)
26	1406-484		1	Cover, Steering Post		3411-583	X	1	Decal, Side - Upper Left (1PUSH/1POSH)
27	0470-513		1	Cover, Storage Box					
28	1406-573		1	Box, Storage					
29	2506-234		1	Lid, Storage Box w/Latch (inc. 28-29)					
	1406-599		1	● Latch, Storage Box					
	0470-514		1	● Lid, Storage Box					



**REAR RACK, BODY PANEL, AND FOOTWELL ASSEMBLIES (1PUSE/1POSE/1PUSD/1POSD)**

0747-433

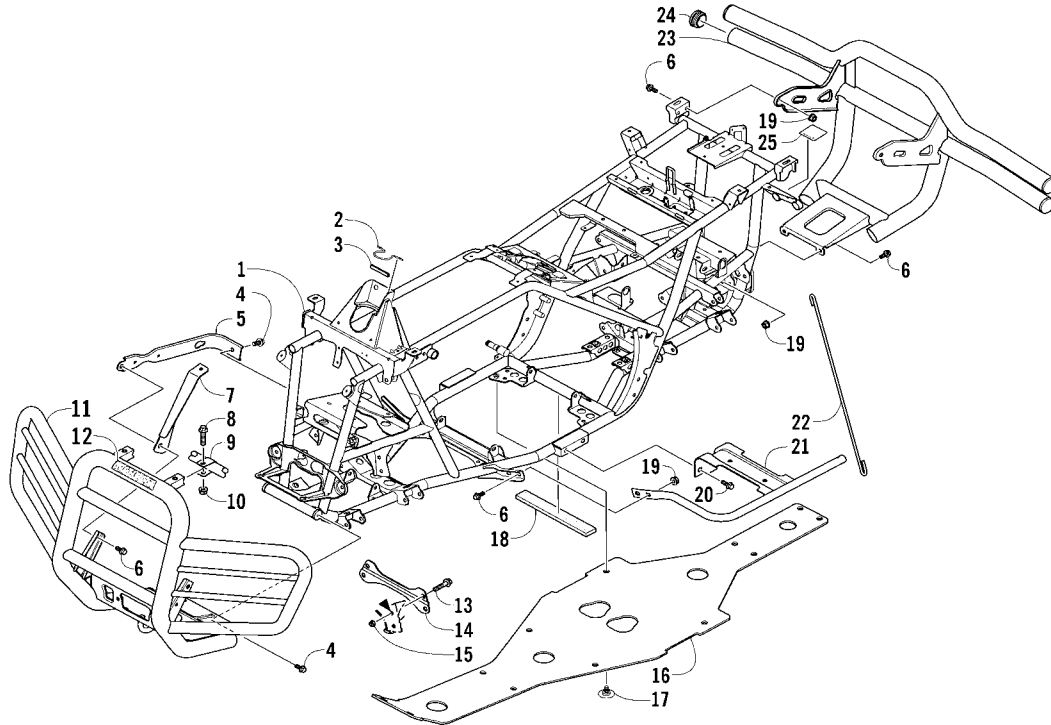
Ref	Part No.	New	Qty	Description	Ref	Part No.	New	Qty	Description
1	2506-125		1	Rack, Rear - Assembly (inc. 2-3)	16	0423-355		4	Screw, Shoulder
2	0411-648		1	● Decal, Warning - Load	17	4506-974		1	Panel, Fender - Assembly - Rear - Black (inc. 18-21)
3	0441-592		4	● Bushing	18	1411-592		1	● Decal, Reflector - Right - Red
4	8410-835		4	Screw, Cap		1411-593		1	● Decal, Reflector - Left - Red
5	0423-669		4	Spacer	19	0470-658		1	● Foil, Protective
6	0423-465		4	Grommet	20	2411-143		1	● Decal, Warning - Tire Pressure
7	8432-802		4	Nut, Lock	21	1411-809		1	● Decal, Passenger
8	0423-654		2	Screw, Shoulder	22	1411-725		1	Decal, "Arctic Cat"
9	8050-222		2	Washer	23	3411-512	X	1	Decal, "Limited" - Right (1PUSE/1POSE)
10	8427-602		26	Nut, Lock		3411-513	X	1	Decal, "Limited" - Left (1PUSE/1POSE)
11	0411-965		2	Decal, "Speedrack"		3411-536	X	1	Decal, "Limited" - Right (1PUSD/1POSD)
12	0423-101		2	Screw, Shoulder		3411-537	X	1	Decal, "Limited" - Left (1PUSD/1POSD)
13	1406-356		1	Footwell - Right					
	2406-429		1	Footwell - Left					
14	0423-419		18	Screw, Machine					
15	1506-125		2	Footpeg					



**REAR RACK, BODY PANEL, AND FOOTWELL ASSEMBLIES (1PUSH/1POSH)**

0747-434

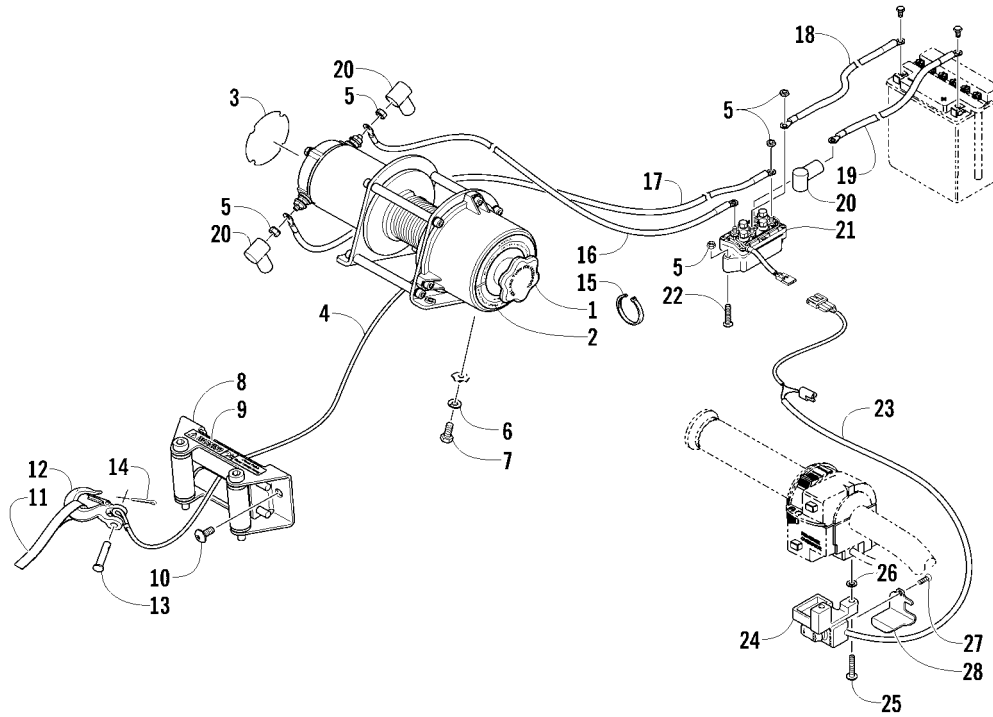
Ref	Part No.	New	Qty	Description	Ref	Part No.	New	Qty	Description
1	2506-125		1	Rack, Rear - Assembly (inc. 2-3)	14	0423-419		18	Screw, Machine
2	0411-648		1	● Decal, Warning - Load	15	1506-125		2	Footpeg
3	0441-592		4	● Bushing	16	0423-355		4	Screw, Shoulder
4	8410-835		4	Screw, Cap	17	2516-953		1	Panel, Fender - Assembly - Rear - Camo (inc. 18-21)
5	0423-669		4	Spacer	18	1411-592		1	● Decal, Reflector - Right - Red
6	0423-465		4	Grommet		1411-593		1	● Decal, Reflector - Left - Red
7	8432-802		4	Nut, Lock	19	0470-658		1	● Foil, Protective
8	0423-654		2	Screw, Shoulder	20	2411-143		1	● Decal, Warning - Tire Pressure
9	8050-222		2	Washer	21	1411-809		1	● Decal, Passenger
10	8427-602		26	Nut, Lock	22	3411-326		1	Decal, "Arctic Cat"
11	0411-965		2	Decal, "Speedrack"	23	3411-524	X	2	Decal, "Limited"
12	0423-101		2	Screw, Shoulder					
13	1406-356		1	Footwell - Right					



## FRAME AND RELATED PARTS

0746-848

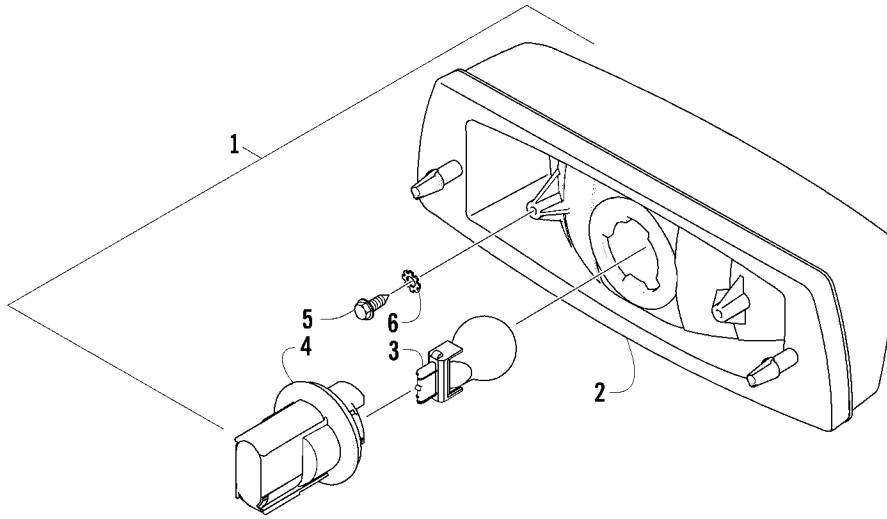
Ref	Part No.	New Qty	Description	Ref	Part No.	New Qty	Description
1	4506-853	1	Frame, Main	14	2516-852	1	Brace, A-Arm
2	2416-401	1	Clip, Routing	15	0423-744	2	Nut, Lock
3	0706-371	AR	Trim - 3 ft	16	1406-030	1	Panel, Belly
4	8409-020	4	Screw, Cap	17	0423-101	12	Screw, Shoulder
5	1506-596	2	Channel, Bumper Mounting	18	0406-289	2	Pad, Frame
6	8408-816	10	Screw, Cap	19	8424-802	8	Nut
7	1506-562	1	Bracket, Mounting - Bumper - Right	20	8409-016	4	Screw, Cap
	1506-563	1	Bracket, Mounting - Bumper - Left	21	1506-380	1	Footrest - Right
8	8410-835	2	Screw, Cap		1506-379	1	Footrest - Left
9	2506-641	2	Strap, Support	22	2506-423	2	Rod, Support
10	8424-805	2	Nut	23	1506-615	1	Bumper, Rear (inc. 24)
11	2506-639	1	Bumper, Front	24	0406-130	4	● Plug
12	0411-501	1	Decal, Bumper - "Arctic Cat"	25	1411-077	1	Decal, Warning - Towing
13	8409-025	2	Screw, Cap				



## WINCH ASSEMBLY

0745-895

Ref	Part No.	New	Qty	Description	Ref	Part No.	New	Qty	Description
1	2441-250		1	Winch (inc. 2-4 and two No. 5)	15	0123-903		AR	Tie, Cable - 11.5 in.
2	2411-141		1	● Decal, Warning - Tension	16	0445-068		1	Cable, Winch/Solenoid - Yellow
3	2411-140		1	● Decal, Warning - Operation	17	0445-107	X	1	Cable, Winch/Solenoid - Blue
4	1441-831		1	● Cable, Winch	18	1441-112		1	Cable, Solenoid/Battery - Black
5	0623-038		8	● Nut w/Washer	19	0445-087		1	Cable, Solenoid/Battery - Red
6	8051-246		4	Washer, Lock	20	0645-019		3	Boot, Terminal
7	8408-820		4	Screw, Cap	21	0409-066		1	Solenoid
8	0441-403		1	Roller, Winch (inc. 9)	22	8476-625		2	Screw, Machine
9	0411-474		1	● Decal, Warning - Pinch Point	23	0409-087		1	Switch, Control
10	8468-820		2	Screw, Machine	24	0409-034		1	Retainer, Control Switch
11	1441-781		1	Strap	25	8464-560		2	Screw, Machine
12	1441-833		1	Hook, Winch	26	0423-593		1	Washer
13	1441-834		1	Pin	27	0423-382		1	Screw, Self-Tapping
14	0623-175		1	Pin, Cotter	28	5506-053		1	Cover, Switch

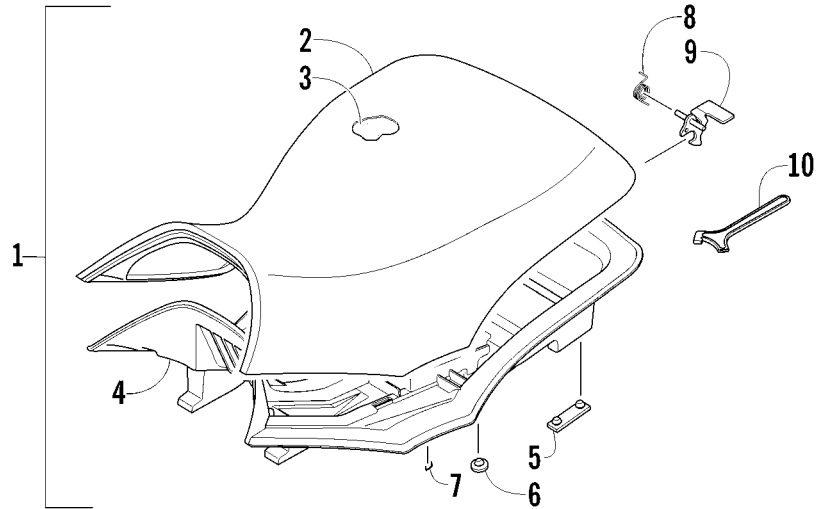


## TAILLIGHT ASSEMBLY

0739-667

Ref	Part No.	New Qty	Description	Ref	Part No.	New Qty	Description
1	0509-022	1	Taillight Assembly (inc. 2-4)	4	0409-057	1	● Socket, Taillight
2	0509-025	1	● Housing, Taillight	5	0623-301	2	Screw, Self-Tapping
3	0409-056	1	● Bulb, Taillight	6	8053-212	2	Washer, External Tooth Lock

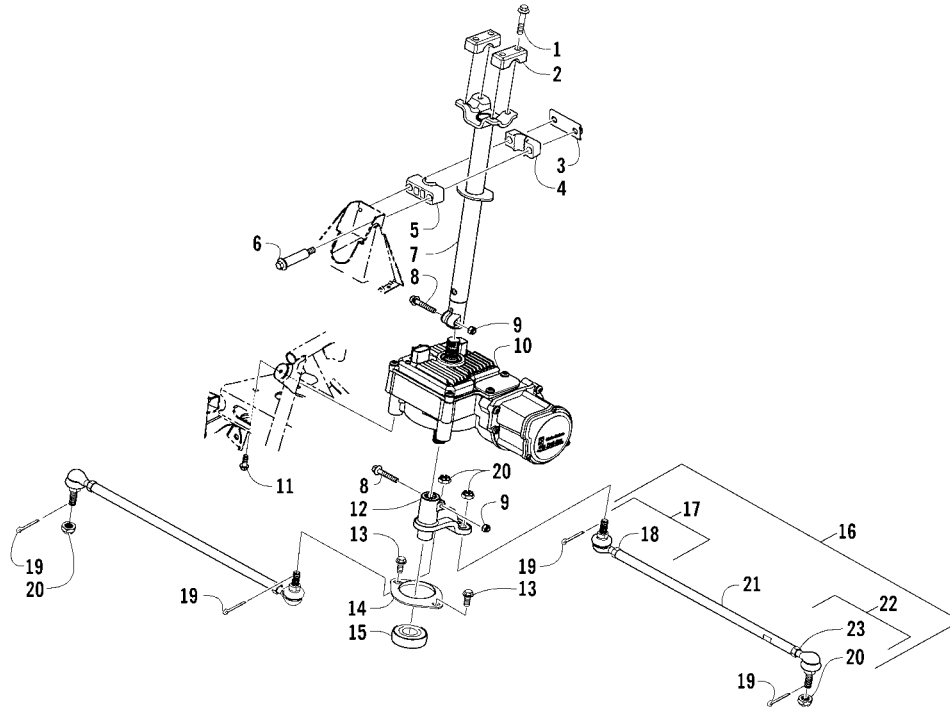




## SEAT ASSEMBLY

0744-435

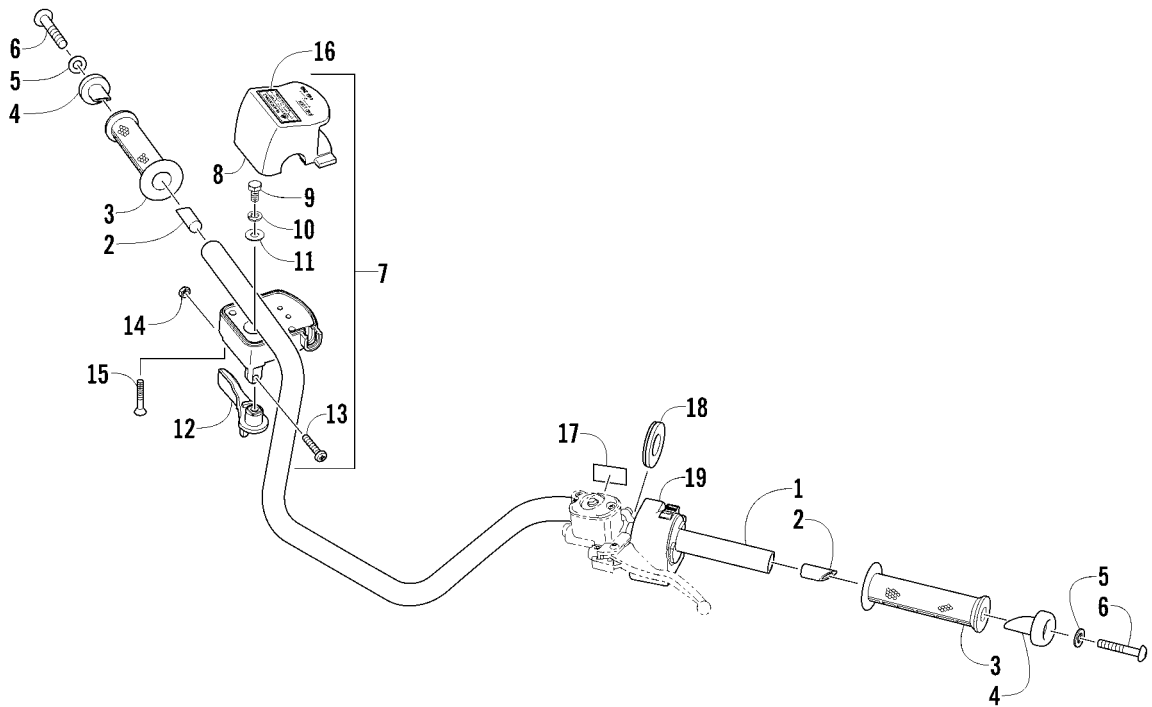
Ref	Part No.	New Qty	Description	Ref	Part No.	New Qty	Description
1	4506-557	1	Seat Assembly (inc. 2-9)	6	0406-877	4	●● Bumper, Seat - Front
2	1506-209	1	● Cover, Seat	7	0624-263	AR	● Staple
3	0517-119	1	● Foam, Seat	8	1406-592	1	● Spring, Seat Latch
4	2416-826	1	● Base, Seat - Assembly (inc. 5-6)	9	1506-156	1	● Latch, Seat
5	0406-879	2	●● Bumper, Seat - Rear	10	0441-587	1	Wrench, Spanner



## STEERING ASSEMBLY

0747-919

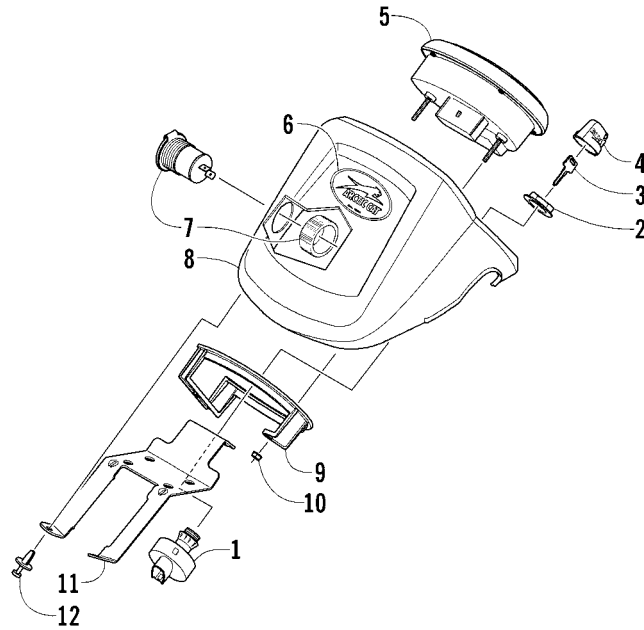
Ref	Part No.	New	Qty	Description	Ref	Part No.	New	Qty	Description
1	8408-835		4	Screw, Cap	14	0602-233		1	Flange, Bearing
2	0405-035		2	Cap, Steering Adjuster	15	0405-052		1	Bearing w/Inverted Oil Seal
3	0505-484		1	Cap, Housing	16	0505-872	X	2	Tie Rod - Assembly (inc. 17-23)
4	0405-260		1	Housing, Upper	17	0505-875	X	2	● End, Tie Rod - Left-Hand Thread - Kit (inc. one No. 18-20)
5	0405-259		1	Housing, Lower	18	0423-013		2	●● Nut - Left-Hand Thread
6	0423-505		2	Screw, Shoulder	19	0623-175		4	●● Pin, Cotter
7	0505-642		1	Post, Steering	20	0423-157		4	●● Nut, Lock
8	8020-045		2	Screw, Cap	21	0405-281		2	● Tie Rod
9	8040-366		2	Nut, Lock	22	0505-874	X	2	● End, Tie Rod - Right-Hand Thread - Kit (inc. one No. 18-19 and 23)
10	0505-848		1	Assembly, Electronic Power Steering	23	8420-002		2	●● Nut - Right-Hand Thread
11	8409-020		4	Screw, Cap					
12	0505-664		1	Arm, Steering					
13	8408-816		2	Screw, Cap					



## HANDLEBAR ASSEMBLY

0745-894

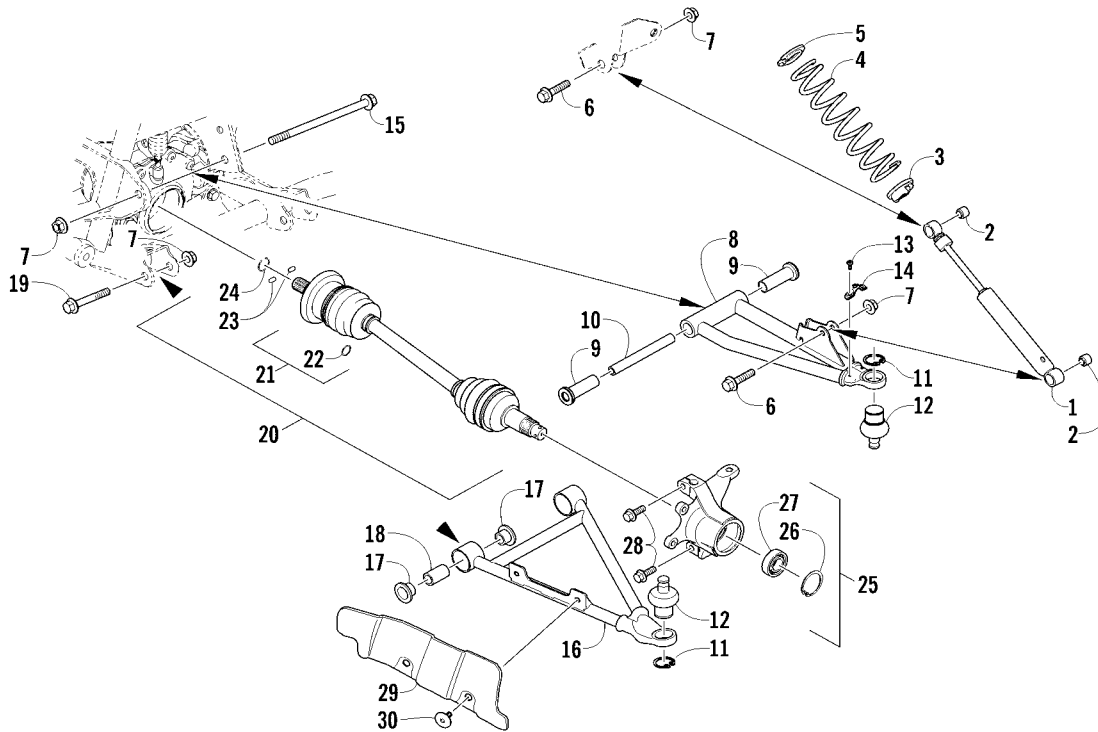
Ref	Part No.	New Qty	Description	Ref	Part No.	New Qty	Description
1	0505-418	1	Handlebar	11	3003-030	1	● Washer
2	0405-218	2	Plug, Handlebar	12	0409-133	1	● Lever, Throttle
3	0405-147	2	Grip, Handlebar	13	3423-014	1	● Screw, Machine
4	0405-149	2	End Cap, Handlebar	14	3423-327	1	● Nut
5	8050-247	2	Washer	15	3423-199	2	● Screw, Machine
6	8477-845	2	Screw, Machine	16	0411-966	1	Decal, Warning - Differential Lock
7	0509-054	1	Case, Throttle - Assembly (inc. 8-15)	17	1411-865	1	Decal, Warning - Brake Lever Lock
8	0409-141	1	● Cover, Throttle Case w/Switch	18	3409-019	1	Cover, Switch Housing
9	3007-392	1	● Screw, Cap	19	0509-014	1	Switch, Control - Assembly
10	3004-447	1	● Washer, Lock				



## INSTRUMENT POD ASSEMBLY

0746-654

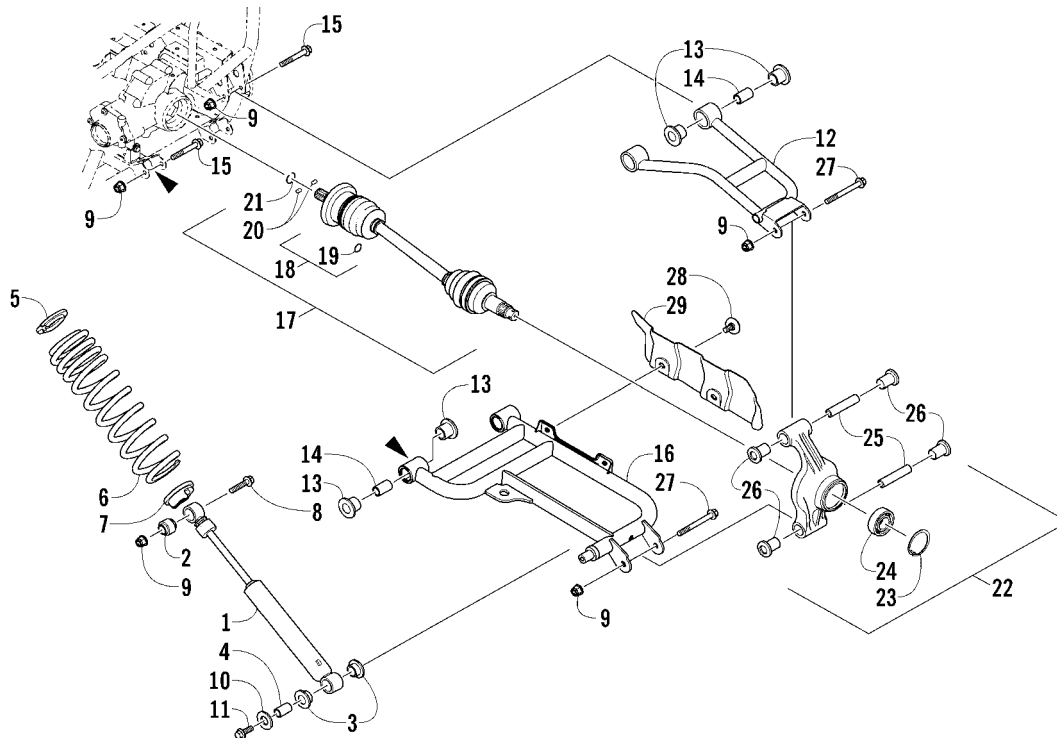
Ref	Part No.	New	Qty	Description	Ref	Part No.	New	Qty	Description
1	0430-090		1	Switch, Ignition - Assembly (inc. 2-4)	7	0641-897		1	Outlet, Accessory - 12V
2	0430-050		1	● Nut, Retaining	8	0505-697		1	Instrument Pod - Black (1PUSE/1POSE/1PUSD/1POSD)
3	0430-042		1	● Key, Ignition (Y Series - Left-Side Cut)		0505-591		1	Instrument Pod - Black (1PUSH/1POSH)
	0430-043		1	● Key, Ignition (Z Series - Right-Side Cut)					
4	0430-054		1	● Cover, Key	9	0420-065		1	Bracket, Retaining
5	0520-230	X	1	Gauge, LCD	10	0423-493		2	Nut w/Washer
6	9611-751		1	Decal, "Arctic Cat" (1PUSE/1POSE/1PUSD/1POSD)	11	2506-470		1	Bracket, Mounting - Instrument Pod
	9611-752		1	Decal, "Arctic Cat" (1PUSH/1POSH)	12	0423-535		2	Rivet, Reinstallable



## FRONT SUSPENSION ASSEMBLY

0745-247

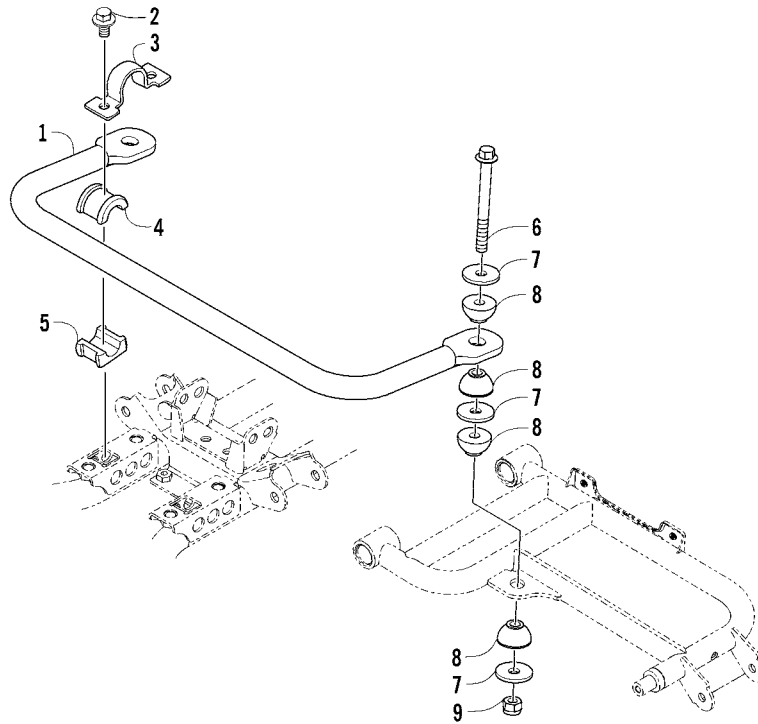
Ref	Part No.	New Qty	Description	Ref	Part No.	New Qty	Description
1	0403-209	2	Shock Absorber (inc. 2)	17	0403-208	8	● Bushing
2	0403-182	4	● Bushing	18	0403-214	4	● Axle
3	0403-288	2	Cam, Spring Adjuster	19	8409-075	4	Screw, Cap
4	0503-509	2	Spring, Suspension - White (1PUSE/1POSE/1PUSD/1POSD)	20	1502-800	1	Axle, Drive - Right (inc. 21-24)
	0503-510	2	Spring, Suspension - Black (1PUSH/1POSH)		1502-799	1	Axle, Drive - Locking - Left (inc. 21-24)
5	1603-889	2	Retainer, Spring	21	1436-419	2	● Repair Kit, Boot (inc. 22)
6	8409-040	4	Screw, Cap	22	1441-988	2	●● Clip, Retaining
7	0423-744	10	Nut, Lock	23	1402-885	4	● Pin, Detent
8	0503-416	1	A-Arm, Upper Right - Black (inc. 9-12)	24	1402-889	2	● Clip, Retaining
	0503-417	1	A-Arm, Upper Left - Black (inc. 9-12)	25	0505-576	1	Knuckle - Assembly - Right (inc. 26-27)
9	0403-207	4	● Bushing		0505-577	1	Knuckle - Assembly - Left (inc. 26-27)
10	0403-080	2	● Axle	26	0423-423	2	● Ring, Retaining
11	0423-009	4	● Ring, Retaining	27	1402-809	2	● Bearing
12	0405-483	4	● Ball Joint	28	0423-998	4	Screw, Shoulder
13	0423-946	4	Screw, Self-Tapping	29	1406-034	1	Guard, Boot - Right - Black
14	1502-594	2	Clamp, Routing		1406-035	1	Guard, Boot - Left - Black
15	0423-334	2	Screw, Cap	30	0423-545	4	Screw, Shoulder
16	0503-376	1	A-Arm, Lower Right - Black (inc. 17-18 and two No. 11-12)				
	0503-377	1	A-Arm, Lower Left - Black (inc. 17-18 and two No. 11-12)				



## REAR SUSPENSION ASSEMBLY

0746-655

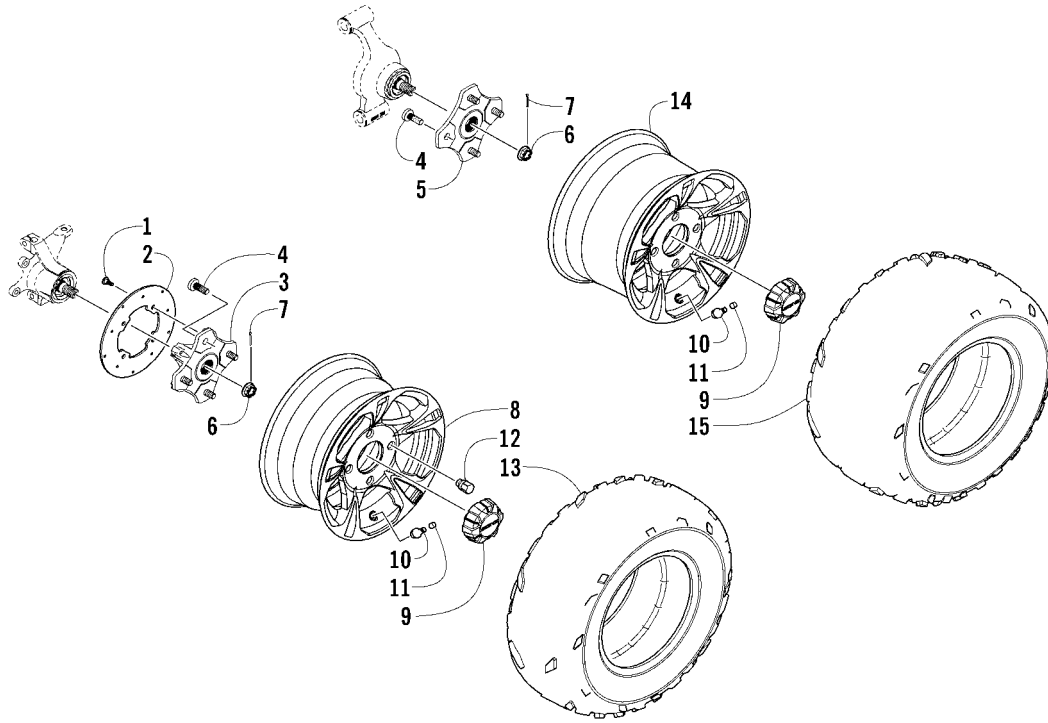
Ref	Part No.	New	Qty	Description	Ref	Part No.	New	Qty	Description
1	0404-274		2	Shock Absorber (inc. 2-4)	15	8409-075		8	Screw, Cap
2	0403-182		2	● Bushing	16	0504-718		1	A-Arm, Rear - Lower Right - Black (inc. 13-14)
3	0603-955		4	● Bushing		0504-719		1	A-Arm, Rear - Lower Left - Black (inc. 13-14)
4	1603-219		2	● Sleeve	17	1502-798		2	Axle, Drive (inc. 18-21)
5	1603-889		2	Retainer, Spring	18	1436-419		2	● Repair Kit, Boot (inc. 19)
6	0504-750		2	Spring, Suspension - White (1PUSE/1POSE/1PUSD/1POSD)	19	1441-988		2	● Clip, Retaining
	0504-751		2	Spring, Suspension - Black (1PUSH/1POSH)	20	1402-884		4	● Pin, Detent
7	0404-057		2	Cam, Spring Adjuster	21	1402-890		2	● Clip, Retaining
8	8409-040		1	Screw, Cap - Right	22	0504-548		1	Knuckle, Right - Assembly (inc. 23-26)
	8409-050		1	Screw, Cap - Left		0504-549		1	Knuckle, Left - Assembly (inc. 23-26)
9	0423-744		14	Nut, Lock	23	0423-423		2	● Ring, Retaining
10	0423-087		2	Washer	24	1402-809		2	● Bearing
11	8408-820		2	Screw, Cap	25	0403-213		4	● Axle
12	0504-582		1	A-Arm, Rear - Upper Right - Black (inc. 13-14)	26	0403-206		8	● Bushing
	0504-583		1	A-Arm, Rear - Upper Left - Black (inc. 13-14)	27	8409-000		4	Screw, Cap
13	0403-208		16	● Bushing	28	0423-545		4	Screw, Shoulder
14	0403-214		8	● Axle	29	1406-068		1	Guard, Boot - Rear - Right - Black
						1406-069		1	Guard, Boot - Rear - Left - Black



## SWAYBAR ASSEMBLY

0746-656

Ref	Part No.	New Qty	Description	Ref	Part No.	New Qty	Description
1	0504-709	1	Swaybar	6	8409-000	2	Screw, Cap
2	8409-016	4	Screw, Cap	7	0423-073	6	Washer
3	0404-135	2	Clamp, Retaining	8	1402-434	8	Bushing
4	0404-282	2	Bushing, Swaybar - Upper	9	8422-002	2	Nut, Lock
5	0404-283	2	Bushing, Swaybar - Lower				

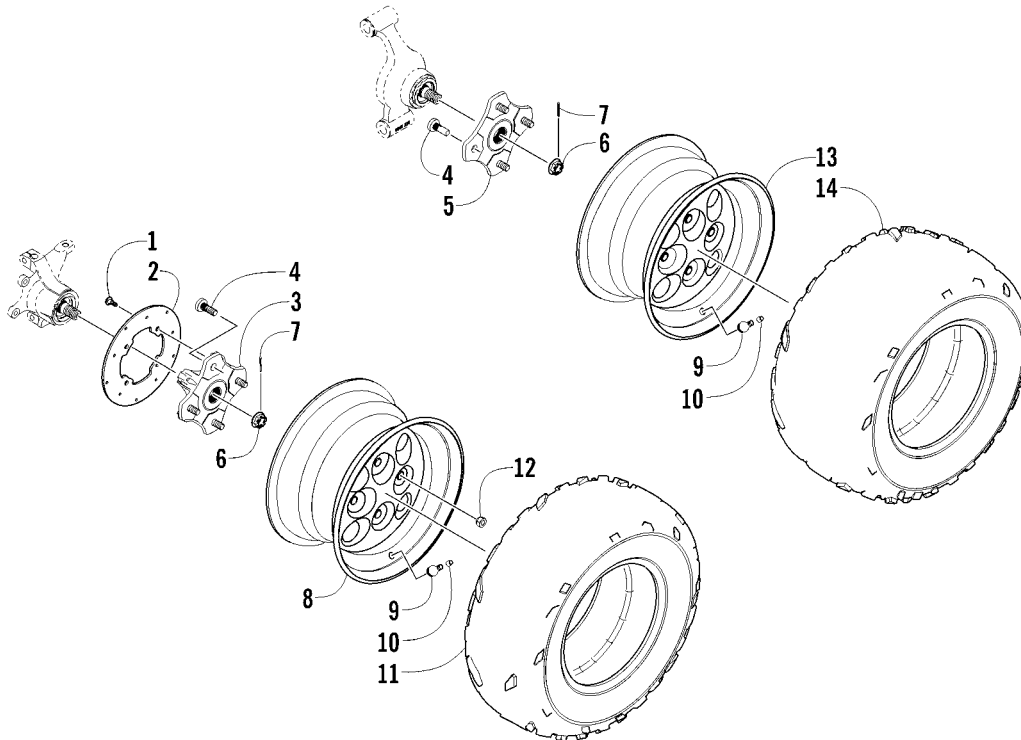


## WHEEL AND TIRE ASSEMBLY (1PUSE/1POSE/1PUSD/1POSD)

0746-660

Ref	Part No.	New Qty	Description	Ref	Part No.	New Qty	Description
1	0423-557	12	Screw, Shoulder	8	2402-068	2	Wheel - Front - Aluminum (inc. 9)
2	1436-808	3	Disc, Brake	9	2402-084	4	● Cap, Wheel
3	1502-462	2	Hub, Wheel - Front (inc. 4)	10	0402-064	4	Stem, Valve (inc. 11)
4	0402-974	16	● Stud	11	0402-140	4	● Cap, Valve Stem
5	1502-462	1	Hub, Wheel - Rear - Right (inc. 4)	12	0423-618	16	Nut, Lug - Chrome
	1502-464	1	Hub, Wheel - Rear - Left (inc. 4)	13	2402-096	2	Tire - Front
6	0423-607	4	Nut, Castle	14	2402-069	2	Wheel - Rear - Aluminum (inc. 9)
7	0423-407	4	Pin, Cotter	15	2402-097	2	Tire - Rear

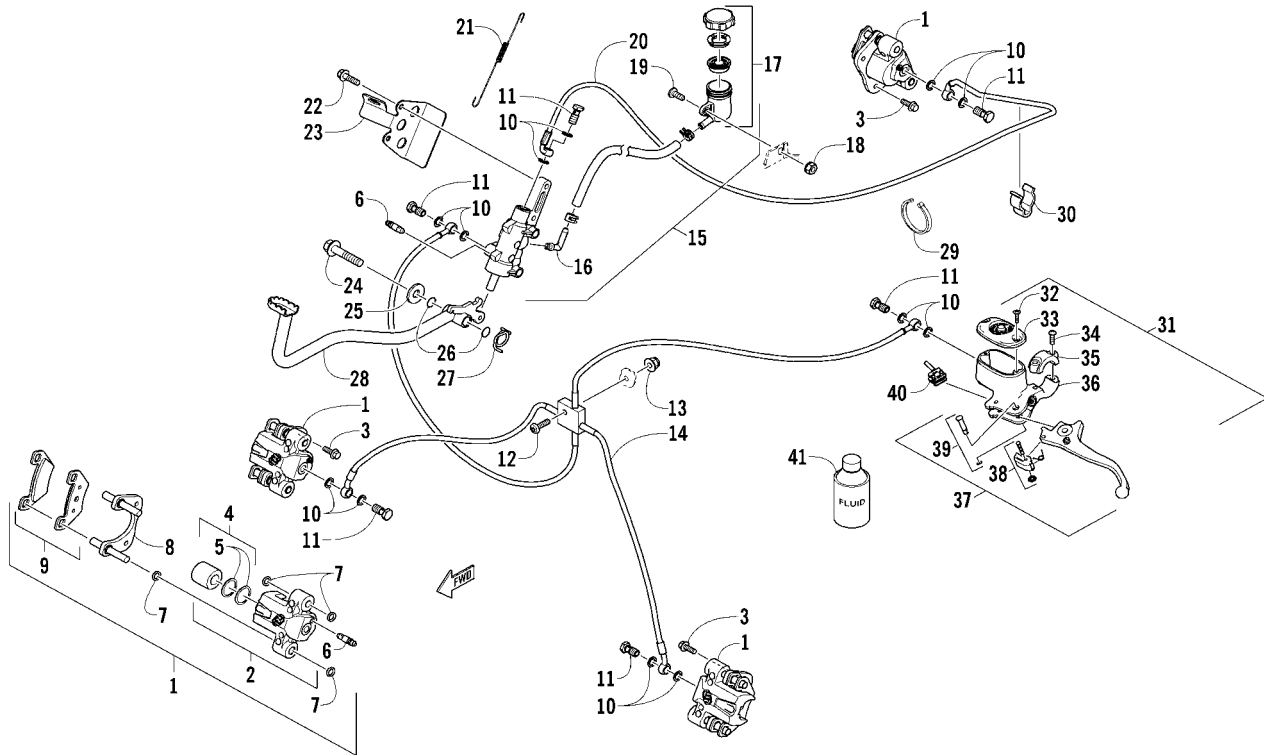




## WHEEL AND TIRE ASSEMBLY (1PUSH/1POSH)

0745-929

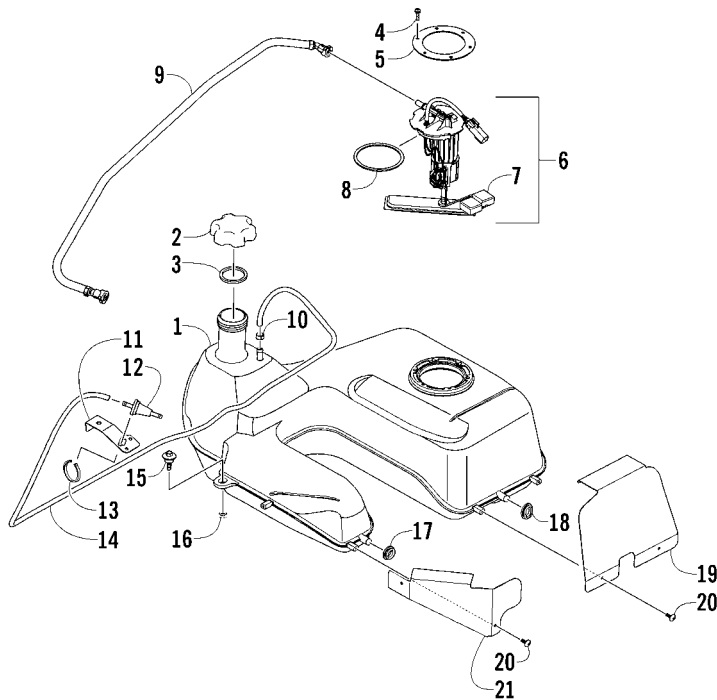
Ref	Part No.	New Qty	Description	Ref	Part No.	New Qty	Description
1	0423-557	12	Screw, Shoulder	8	1402-780	2	Wheel - Front - Black
2	1436-808	3	Disc, Brake	9	0402-064	4	Stem, Valve (inc. 10)
3	1502-462	2	Hub, Wheel - Front (inc. 4)	10	0402-140	4	● Cap, Valve Stem
4	0402-974	16	● Stud	11	2402-096	2	Tire - Front
5	1502-462	1	Hub, Wheel - Rear - Right (inc. 4)	12	0423-408	16	Nut, Lug
	1502-464	1	Hub, Wheel - Rear - Left (inc. 4)	13	1402-781	2	Wheel - Rear - Black
6	0423-607	4	Nut, Castle	14	2402-097	2	Tire - Rear
7	0423-407	4	Pin, Cotter				



## HYDRAULIC BRAKE ASSEMBLY

0747-109

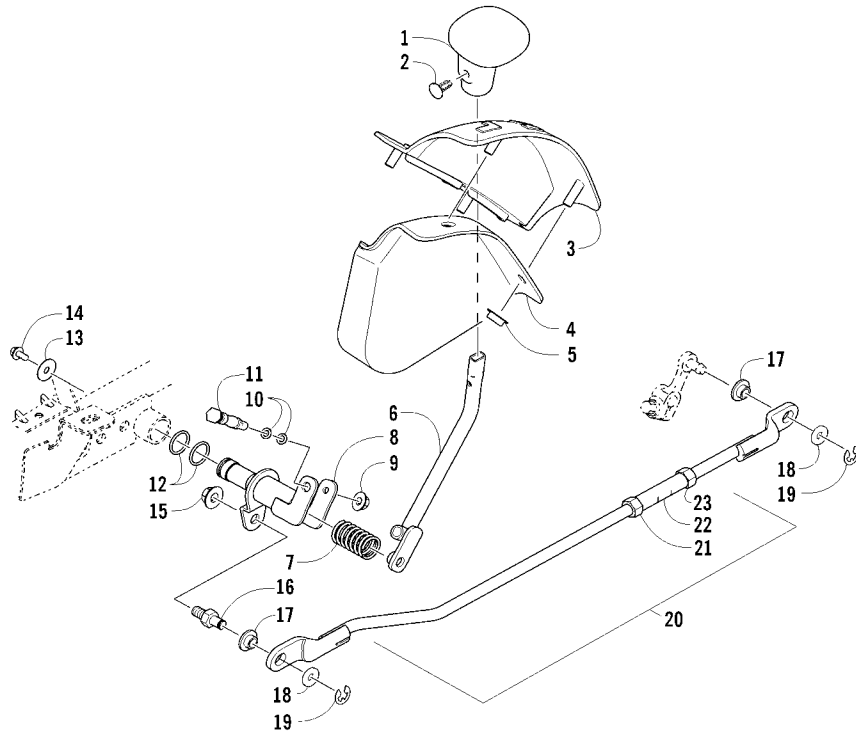
Ref	Part No.	New Qty	Description	Ref	Part No.	New Qty	Description
1	1436-422	1	Caliper, Brake - Right Front (inc. 2-9)	18	0623-038	1	Nut w/Washer
	1436-423	1	Caliper, Brake - Left Front (inc. 2-9)	19	8476-616	1	Screw, Machine
	1436-423	1	Caliper, Brake - Rear (inc. 2-9)	20	1502-593	1	Hose, Brakeline
2	1436-160	1	● Housing, Caliper - Assembly - Right Front (inc. 3-6)	21	0502-785	1	Spring, Brake Switch
	1436-161	1	● Housing, Caliper - Assembly - Left Front (inc. 3-6)	22	8408-625	2	Screw, Cap
	1436-161	1	● Housing, Caliper - Assembly - Rear (inc. 3-6)	23	1502-179	1	Bracket, Switch
3	8408-821	6	●●● Screw, Cap	24	8408-816	1	Screw, Cap
4	0502-606	3	●●● Piston/Seal Set (inc. 5)	25	8050-252	1	Washer
5	0502-607	3	●●● Seal Set	26	1602-213	2	O-Ring
6	0502-609	4	●● Valve, Bleed	27	0502-807	1	Spring, Brake Lever
7	0502-608	3	● O-Ring, Guide - Set	28	1502-063	1	Lever, Brake
8	0502-605	3	● Bracket Assembly	29	0123-788	AR	Tie, Cable - 8 in.
9	1502-694	3	● Pad, Brake - Set	30	1502-115	2	Clip, Brakeline Hose
10	0423-178	12	Washer, Crush	31	1502-902	1	Brake Assembly (inc. 32-40)
11	0423-413	6	Bolt, Banjo-Fitting	32	0502-566	1	● Screw, Machine - Kit
12	8476-625	1	Screw, Machine	33	0502-868	1	● Cover, Reservoir
13	8427-602	1	Nut, Lock	34	0502-568	1	● Screw, Machine - Kit
14	1502-015	1	Hose, Brakeline - Assembly	35	0502-869	1	● Clamp, Master Cylinder
15	1502-293	1	Brake Assembly (inc. 16-17)	36	0502-704	1	● Master Cylinder Assembly
16	1502-296	1	● Adapter, Hose	37	1502-904	1	● Lever Assembly - Kit (inc. 38-39)
17	1502-155	1	● Reservoir, Brake w/Clamp	38	1502-905	1	●● Lock, Brake Lever - Kit
				39	0502-580	1	●● Lever Pin - Kit
				40	0502-564	1	● Switch, Brake
				41	5639-848	AR	Fluid, Brake - 12 oz



### GAS TANK ASSEMBLY

0747-102

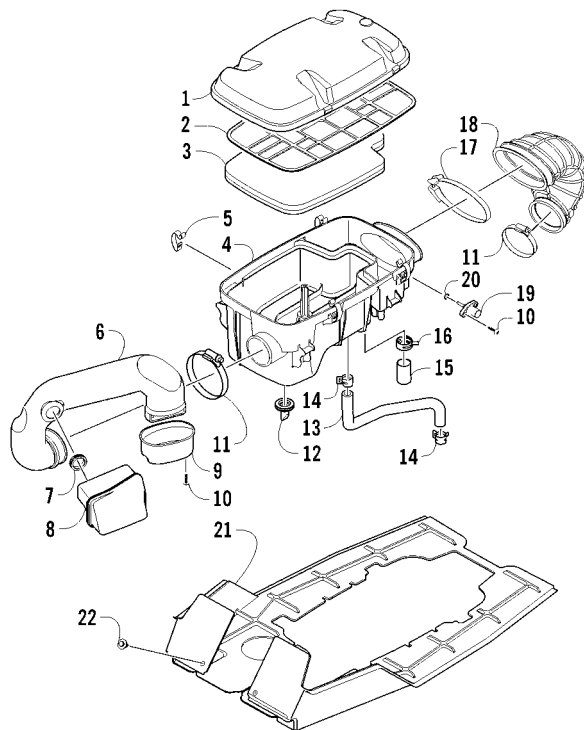
Ref	Part No.	New Qty	Description	Ref	Part No.	New Qty	Description
1	0570-307	1	Tank, Gas - Assembly (inc. 2-5)	12	0470-988	1	Filter, In-Line
2	0470-438	1	● Cap, Gas Tank (inc. 3)	13	0123-788	AR	Tie, Cable - 8 in.
3	0109-733	1	●● Gasket, Gas Tank Cap	14	0410-070	AR	Hose, Gasline - 25 ft
4	0423-898	6	● Screw, Self-Tapping	15	0423-732	2	Screw, Shoulder
5	2670-042	1	● Plate, Retaining	16	0623-038	1	Nut w/Washer
6	0570-322	1	Pump, Fuel - Assembly (inc. 7-8)	17	0423-460	1	Grommet
7	2670-235	1	● Float	18	0423-806	1	Grommet
8	0470-838	1	● Seal	19	0470-710	1	Shield, Heat - Gas Tank - Rear
9	0570-317	1	Hose, Gasline - Assembly	20	0623-797	4	Screw, Self-Tapping
10	0423-688	AR	Clamp, Hose	21	0470-709	1	Shield, Heat - Gas Tank - Front
11	0470-980	1	Bracket, Filter Mounting				



## SHIFT LEVER ASSEMBLY

0745-123

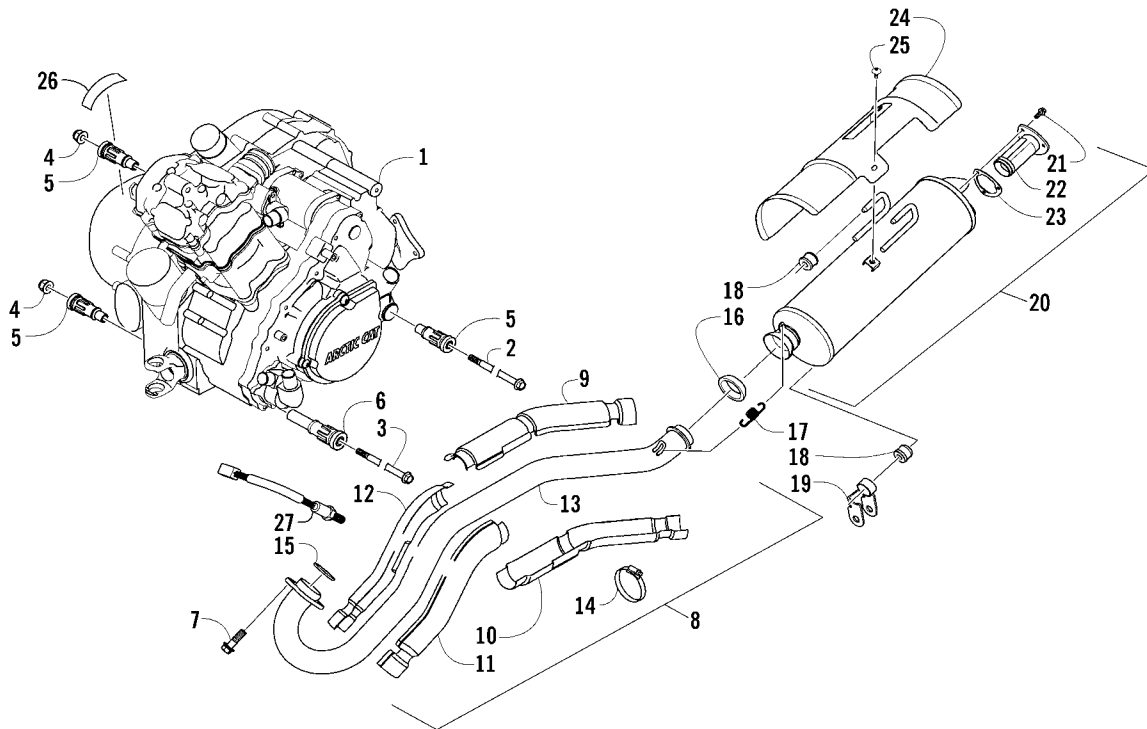
Ref	Part No.	New Qty	Description	Ref	Part No.	New Qty	Description
1	0402-843	1	Knob, Shift	13	0423-087	1	Washer
2	0423-345	1	Clip, Retaining	14	8408-812	1	Screw, Cap
3	2402-073	1	Plate, Shift	15	8424-802	1	Nut
4	2406-345	1	Shield, Shift Plate	16	1402-621	1	Pin, Mounting
5	0423-357	4	Nut, Stamped	17	0423-091	2	Bushing
6	1502-977	1	Lever, Shift	18	0623-094	2	Washer
7	2402-117	1	Spring	19	0423-169	2	E-Ring
8	1502-957	1	Actuator, Shift	20	1502-200	1	Linkage, Shift - Assembly (inc. 21-23)
9	8424-602	1	Nut	21	0123-917	1	● Nut, Hex - Left-Hand Thread
10	0423-182	2	O-Ring	22	1402-619	1	● Coupler
11	0402-675	1	Axle, Pivot	23	0623-294	1	● Nut, Hex - Right-Hand Thread
12	0423-299	2	O-Ring				



## AIR INTAKE ASSEMBLY

0744-432

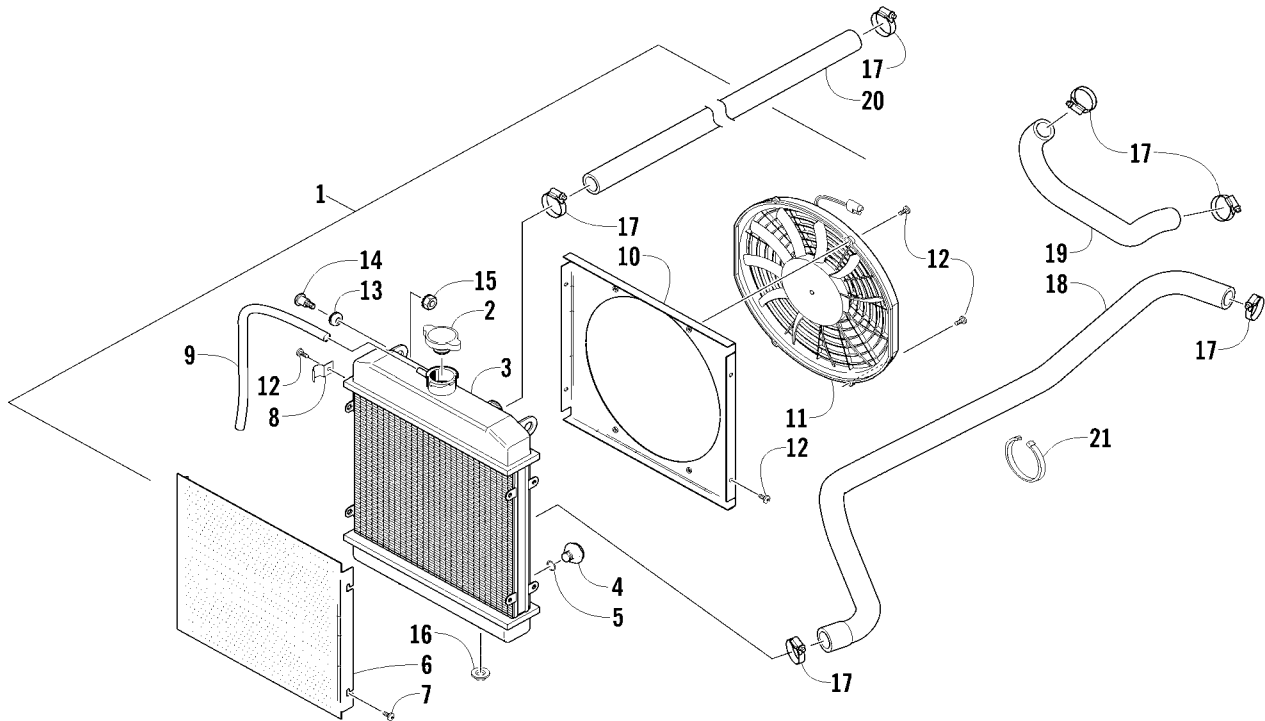
Ref	Part No.	New Qty	Description	Ref	Part No.	New Qty	Description
1	0470-877	1	Cover, Intake	12	0470-442	1	Valve, Drain
2	0470-560	1	Screen, Air Filter	13	0410-172	1	Hose, Vent
3	0470-558	1	Filter, Air	14	1623-281	2	Clamp, Hose
4	0470-728	1	Housing, Intake	15	0423-766	1	Cap, Drain
5	0423-455	4	Clip, Spring	16	1623-287	1	Clamp
6	0470-749	1	Duct, Engine Intake	17	0423-554	1	Clamp
7	0423-763	1	Grommet	18	0470-511	1	Boot
8	0570-215	1	Resonator	19	0430-055	1	Sensor, Air Temperature (inc. 20)
9	0470-729	1	Boot	20	5507-224	1	● O-Ring
10	0423-342	4	Screw, Self-Tapping	21	2406-604	1	Panel, Shield
11	0423-019	2	Clamp	22	0623-362	2	Rivet, Reinstallable



## ENGINE AND EXHAUST

0747-418

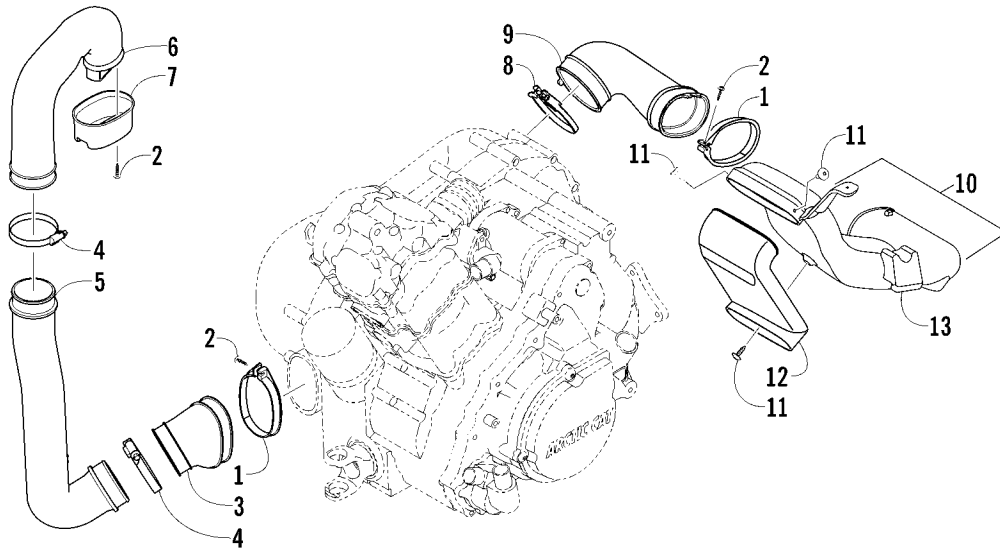
Ref	Part No.	New	Qty	Description	Ref	Part No.	New	Qty	Description
1	0800-129		1	Engine, A700K	15	0412-338		1	Gasket, Exhaust
2	0423-451		1	Screw, Cap	16	0412-375		1	Seal, Exhaust
3	0423-405		1	Screw, Cap	17	0612-668		2	Spring, Extension
4	8428-002		2	Nut, Lock	18	0412-577		3	Bushing
5	0801-129		3	Mount, Rubber - Engine	19	1506-732		1	Channel, Muffler Support
6	0801-122		1	Mount, Rubber - Engine	20	0512-355		1	Muffler - Assembly (inc. 21-23)
7	8408-820		2	Screw, Cap	21	8408-616		3	● Screw, Cap
8	0512-620	X	1	Pipe, Exhaust - Assembly (inc. 9-14)	22	0512-219		1	● Arrestor, Spark - Assembly
9	0412-350		1	● Shield, Exhaust Pipe - Outer - Rear	23	0412-313		1	● Gasket, Spark Arrestor
10	0412-339		1	● Shield, Exhaust Pipe - Inner - Rear	24	0412-373		1	Cover, Muffler
11	0412-687	X	1	● Shield, Exhaust Pipe - Inner - Front	25	8477-610		3	Screw, Machine
12	0412-686	X	1	● Shield, Exhaust Pipe - Outer - Front	26	0411-426		1	Decal, Warning - Clutch Cover
13	0512-622	X	1	● Pipe, Exhaust	27	0630-302	X	1	Sensor, Oxygen
14	0423-317		4	● Clamp					



## COOLING ASSEMBLY

0745-858

Ref	Part No.	New Qty	Description	Ref	Part No.	New Qty	Description
1	0413-256	1	Radiator Assembly (inc. 2-13)	11	0413-123	1	● Fan, Cooling
2	0413-255	1	● Cap	12	0623-378	8	● Screw, Self-Tapping
3	0413-205	1	● Radiator	13	0423-030	2	● Grommet
4	0413-195	1	● Plug, Drain	14	0423-484	2	Screw, Shoulder
5	1602-213	1	● O-Ring	15	0623-038	2	Nut w/Washer
6	0413-007	1	● Screen	16	0423-028	2	Bushing, Stem
7	8475-512	4	● Screw, Machine	17	0423-496	6	Clamp, Hose
8	0423-351	1	● Clamp, Wire	18	0410-229	1	Hose, Coolant - Lower
9	0610-016	AR	● Hose - 25 ft	19	0410-022	1	Hose, Coolant - Crossover
	0610-015	AR	● Hose - 100 ft	20	0410-002	1	Hose, Coolant - Upper
10	0413-203	1	● Shroud, Fan	21	0123-903	AR	Tie, Cable - 11.5 in.

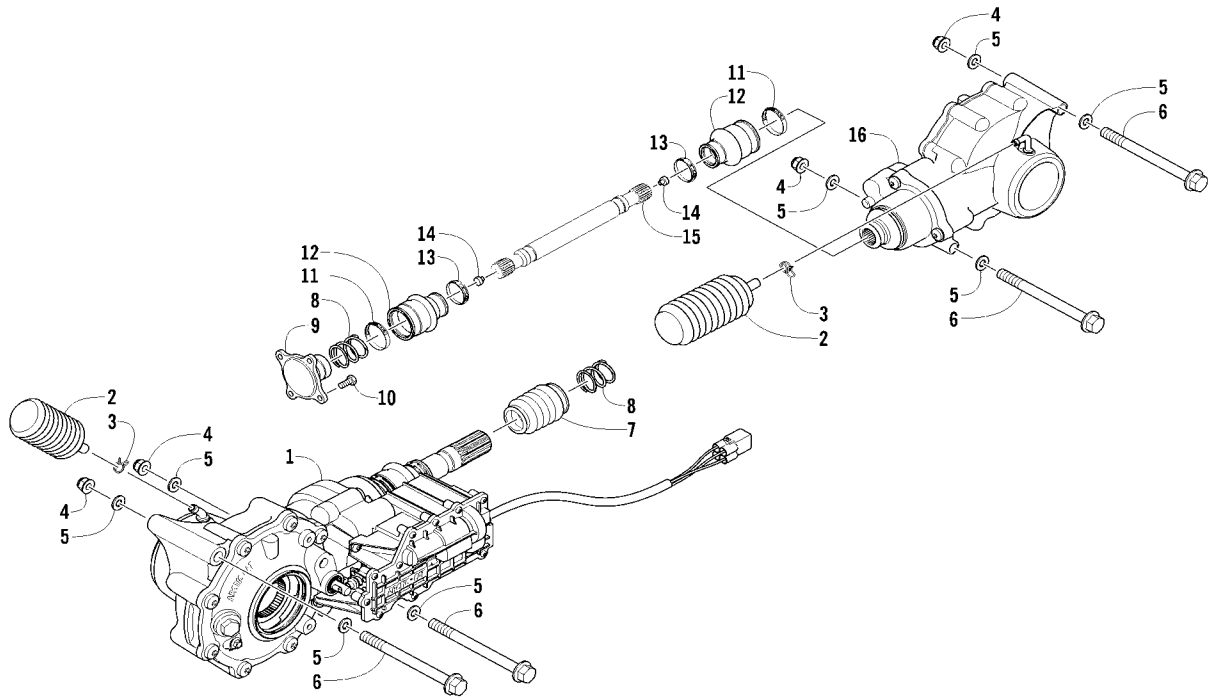


## CASE/BELT COOLING ASSEMBLY

0744-433

Ref	Part No.	New Qty	Description	Ref	Part No.	New Qty	Description
1	0423-550	2	Clamp, Plastic	8	0423-730	1	Clamp
2	0423-342	4	Screw, Self-Tapping	9	0413-206	1	Boot, Duct - Air Out - Rear
3	0413-252	1	Boot, Duct - Air Intake - Front	10	0470-824	1	Duct, Air Out - Rear (inc. three No. 11 and 12-13)
4	0423-019	2	Clamp	11	0623-784	4	● Screw, Self-Tapping
5	0413-250	1	Duct, Air Intake - Front - Lower	12	0470-778	1	● Duct
6	0470-750	1	Duct, Air Intake - Front - Upper	13	0470-825	1	● Duct
7	0470-729	1	Cup, Air Intake				

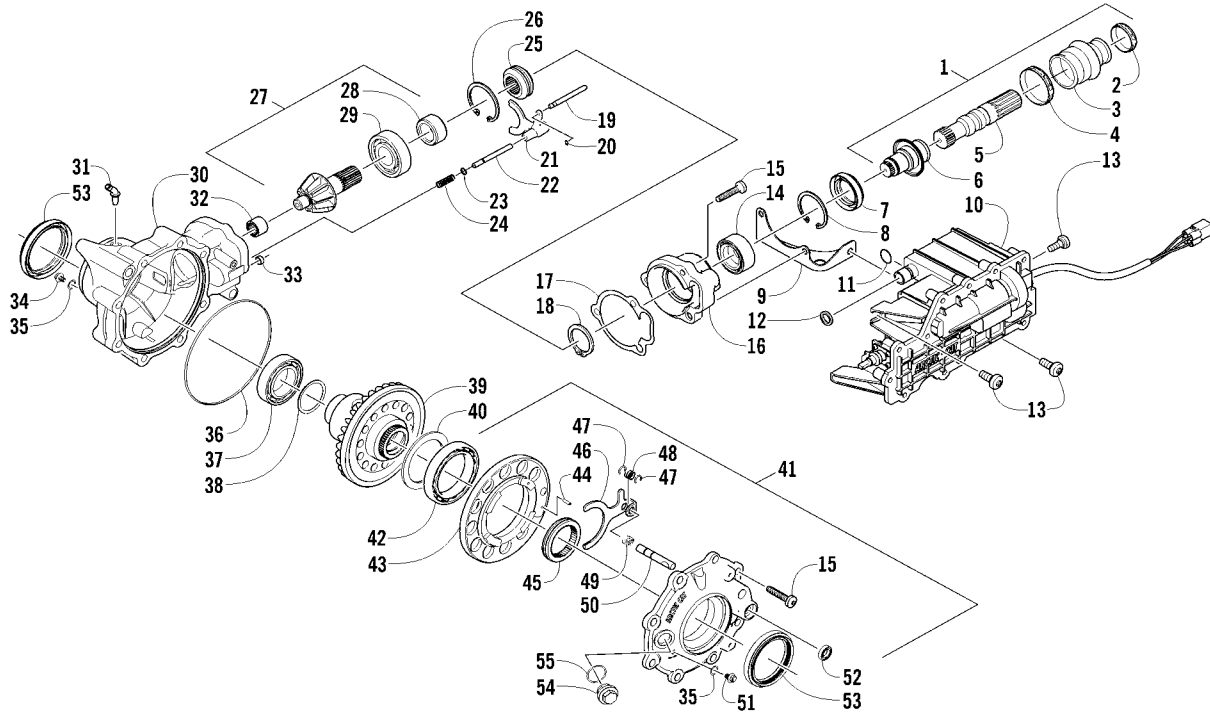




## DRIVE TRAIN ASSEMBLY

0745-861

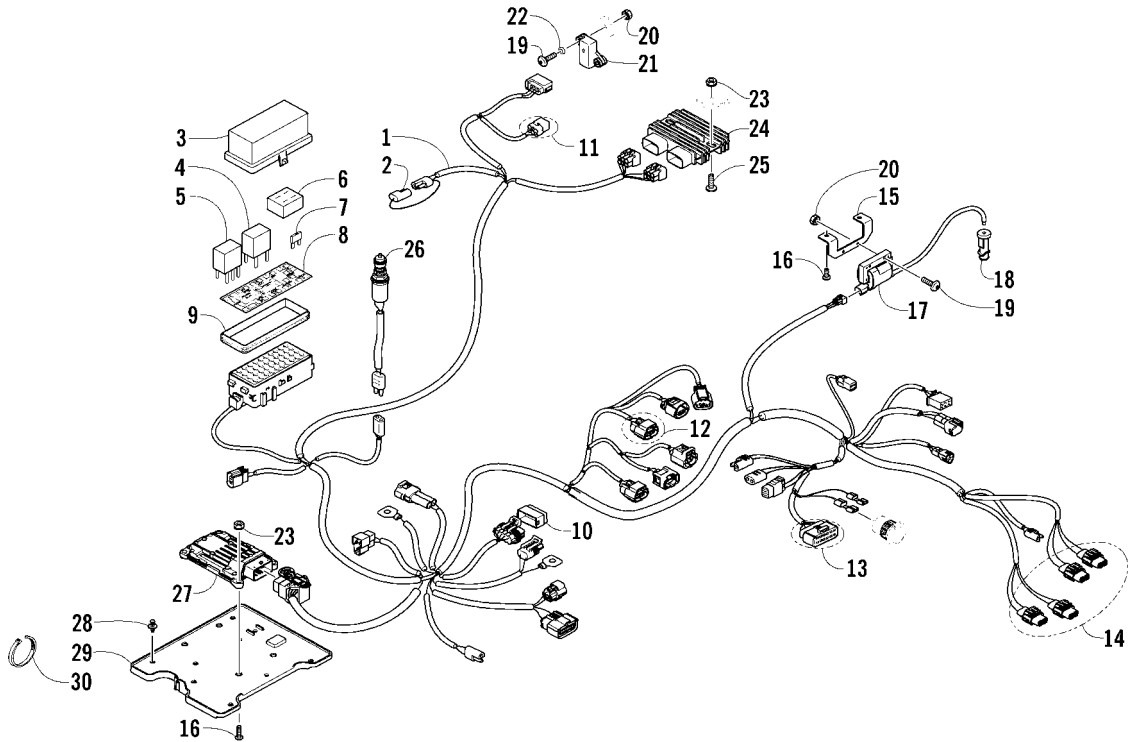
Ref	Part No.	New	Qty	Description	Ref	Part No.	New	Qty	Description
1	2502-091	X	1	Gearcase, Front	9	0402-950		1	Flange, Output
2	1402-620		2	Bladder, Gearcase	10	8408-820		4	Screw, Cap
3	0423-315		2	Clamp, Hose	11	0423-393		2	Clamp
4	8428-002		4	Nut, Lock	12	0402-985		2	Boot
5	0423-426		8	Washer	13	0423-411		2	Clamp
6	0423-404		4	Screw, Cap	14	0673-618		2	Bumper, Propeller Shaft
7	0402-966		1	Boot, Shaft	15	1402-233		1	Shaft, Propeller
8	1402-026		2	Spring	16	2502-088	X	1	Gearcase, Rear



## FRONT DRIVE GEARCASE ASSEMBLY

0745-863

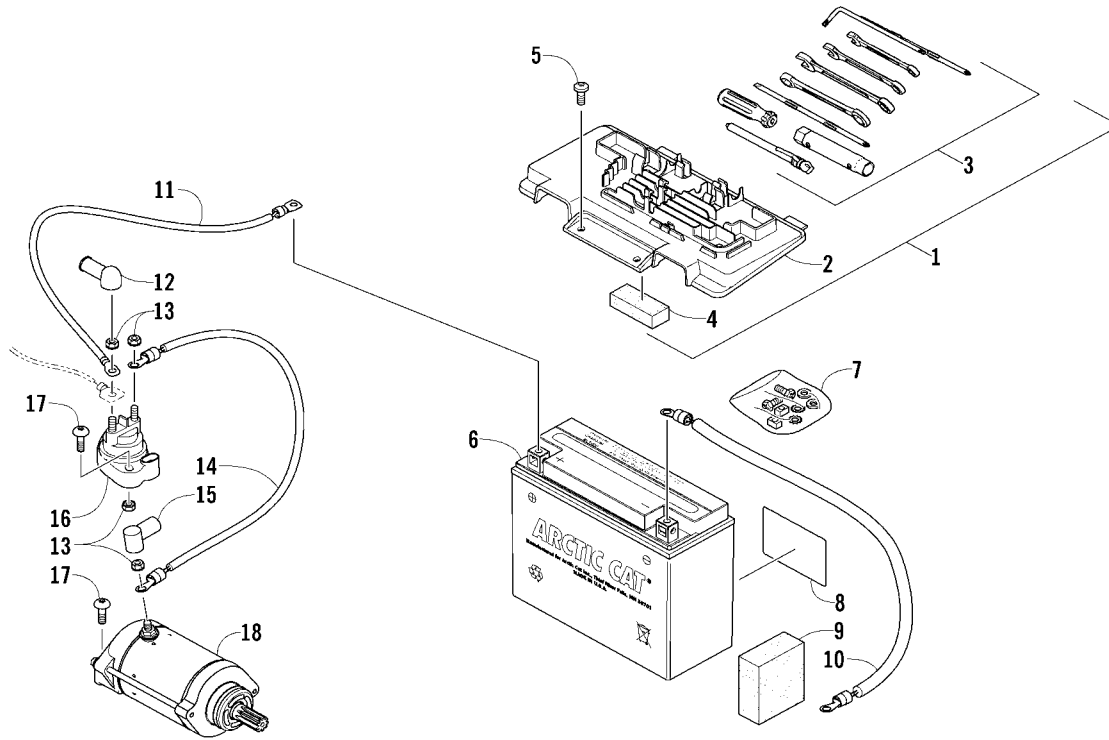
Ref	Part No.	New	Qty	Description	Ref	Part No.	New	Qty	Description
-	2502-091	X	1	Complete Front Drive Gearcase Assembly	32	0402-328		1	Bearing
1	1502-083		1	Shaft, Propeller - Assembly (inc. 2-6)	33	0402-411		1	Pin, Dowel
2	0423-411		1	● Clamp	34	1402-210		1	Plug, Magnetic (inc. one No. 35)
3	0402-985		1	● Boot, Propeller Shaft	35	0423-153		2	● O-Ring
4	0423-393		1	● Clamp	36	0423-149		1	O-Ring
5	1402-045		1	● Shaft, Output	37	0402-393		1	Bearing
6	1502-085		1	● Shaft, Input	38	0402-405		AR	Shim, 41 x 49 x 1.3 mm
7	1402-011		1	Seal		0402-406		AR	Shim, 41 x 49 x 1.4 mm
8	0423-423		1	Ring, Retaining		0402-407		AR	Shim, 41 x 49 x 1.5 mm
9	1502-237		1	Bracket, Actuator		0402-408		AR	Shim, 41 x 49 x 1.6 mm
10	1502-909		1	Actuator (inc. 11)		0402-409		AR	Shim, 41 x 49 x 1.7 mm
11	1402-981		1	● O-Ring	39	1502-859		1	Gear, Ring - 34T
12	0423-892		1	O-Ring	40	1402-074		AR	Shim, 61 x 69 x 1.3 mm
13	0423-396		3	Screw, Self-Tapping		1402-075		AR	Shim, 61 x 69 x 1.4 mm
14	1402-043		1	Bearing		1402-076		AR	Shim, 61 x 69 x 1.5 mm
15	0423-118		11	Screw, Self-Tapping		1402-077		AR	Shim, 61 x 69 x 1.6 mm
16	0502-528		1	Housing, Pinion		1402-078		AR	Shim, 61 x 69 x 1.7 mm
17	0402-947		1	Gasket, Flange	41	1502-895		1	Cover, Gearcase (inc. one No. 35, 42-52, and one No. 53)
18	0423-417		1	Ring, Retaining	42	1402-053		1	● Bearing
19	0402-997		1	Shaft, Selector	43	0502-413		1	● Flange, Bearing
20	0423-402		1	Ring, Retaining	44	1402-079		1	● Pin, Parallel
21	0402-998		1	Fork, Selector	45	1402-042		1	● Collar, Sliding
22	0402-417		1	Shaft, Shuttle	46	1402-054		1	● Fork
23	0423-147		1	O-Ring	47	1402-058		2	● Ring, Retaining
24	0402-999		1	Spring, Return	48	1402-057		1	● Spring
25	0402-413		1	Coupler, Drive	49	1402-063		1	● Spring
26	1423-067		1	Ring, Retaining	50	1402-656		1	● Shaft, Lock
27	1502-851		1	Gear, Pinion - Assembly - 11T (inc. 28-29)	51	1402-211		1	● Plug, Oil Level (inc. one No. 35)
28	1402-977		1	● Collar, Retaining	52	1402-056		1	● Seal
29	0402-327		1	● Bearing	53	2402-150	X	2	● Seal
30	1502-856		1	Housing, Gearcase	54	0402-333		1	Plug, Fill (inc. 55)
31	2402-160	X	1	Fitting, Elbow	55	0423-154		1	● O-Ring



## WIRING HARNESS ASSEMBLY

0746-849

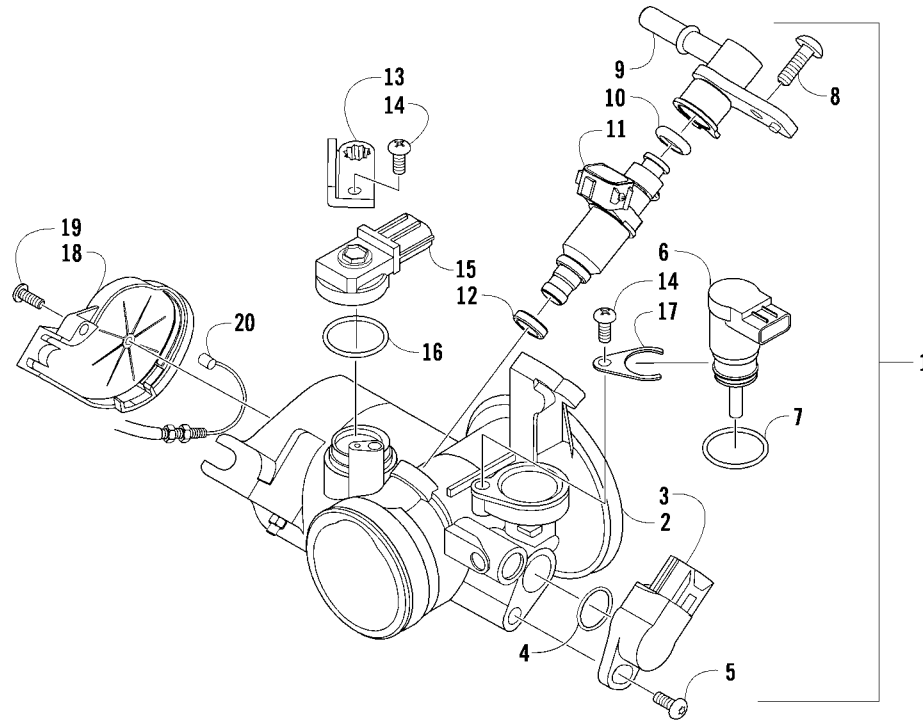
Ref	Part No.	New	Qty	Description	Ref	Part No.	New	Qty	Description
1	0486-484	X	1	Harness, Main (inc. 2-10)	15	4406-029		1	Bracket, Mounting - Coil
2	0486-164		1	● Tether, Accessory Connector	16	8476-620		6	Screw, Machine
3	0430-085		1	● Cover, Fuse Block	17	0824-071		1	Coil, Ignition (inc. 18)
4	0430-045		3	● Relay (4-Pin) - 20 Amp	18	0824-049		1	● Cap, Spark Plug
5	0430-033		1	● Relay (5-Pin) - 30 Amp	19	8468-425		4	Screw, Machine
6	0430-037		1	● Holder, Fuse	20	0423-493		4	Nut w/Washer
7	0430-032		7	● Fuse - 10 Amp	21	0409-064		1	Sensor, Tilt
	0430-031		3	● Fuse - 15 Amp	22	0123-802		2	Washer
	0430-030		4	● Fuse - 30 Amp	23	0623-038		6	Nut w/Washer
8	3411-968	X	1	● Decal, Fuse Block	24	0824-078		1	Regulator, Voltage
9	0430-086		1	● Seal	25	8476-625		2	Screw, Machine
10	0430-103		1	● Cover, Diagnostics Connector	26	0409-089		1	Switch, Brake - Assembly
11	1436-416		1	Repair Kit, Connector - Tilt Sensor	27	0530-120	X	1	ECM
12	1436-417		1	Repair Kit, Connector - Idle Speed Control	28	0623-362		3	Rivet, Reinstallable
13	1436-818	X	1	Repair Kit, Connector - LCD Gauge	29	2416-181		1	Tray, Electrical
14	1436-289	AR		Repair Kit, Connector - Headlight	30	0123-788		AR	Tie, Cable - 8 in.
						0123-903		AR	Tie, Cable - 11.5 in.



## BATTERY AND STARTER ASSEMBLY

0746-852

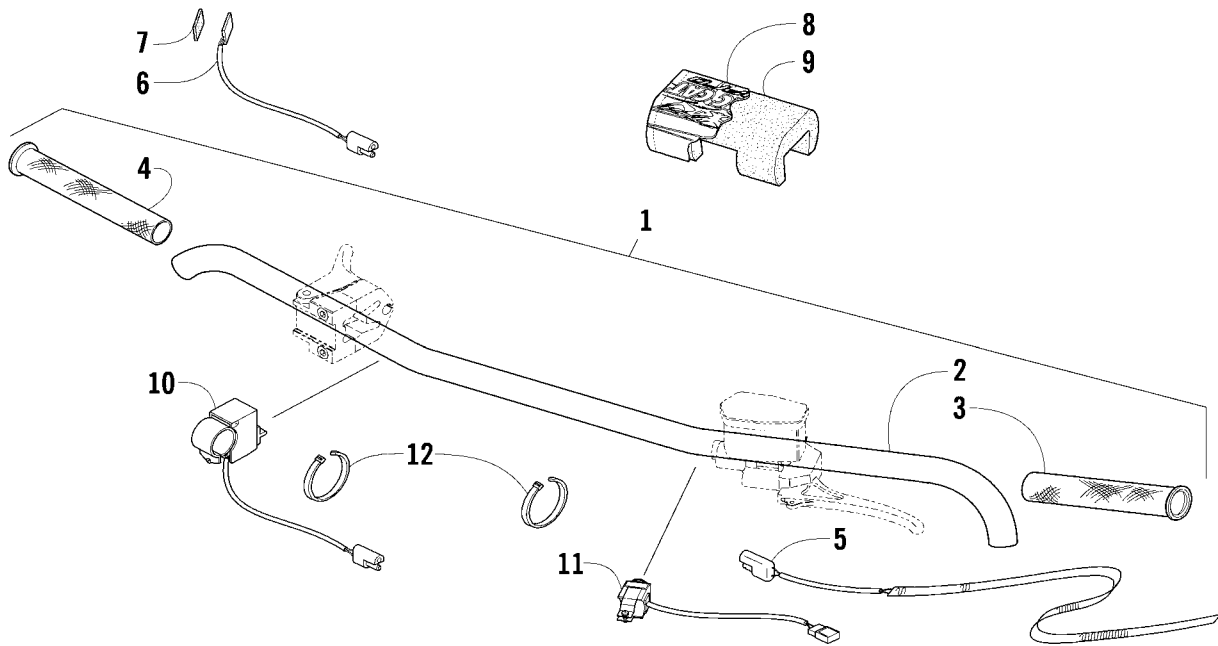
Ref	Part No.	New	Qty	Description	Ref	Part No.	New	Qty	Description
1	5993-040		1	Battery Cover/Tool Tray Assembly (inc. 2-4)	10	0445-079		1	Cable, Battery/Ground
2	4406-136		1	● Cover, Battery	11	0445-062		1	Cable, Battery/Solenoid
3	0444-122		1	● Kit, Tool	12	0645-327		1	Boot, Terminal
4	0417-016		1	● Pad, Battery	13	0623-038		5	Nut w/Washer
5	8476-620		2	Screw, Machine	14	0445-064		1	Cable, Solenoid/Starter (inc. 15)
6	0645-480		1	Battery Assembly (inc. 7-8)	15	0645-019		1	● Boot, Terminal
7	0445-082		1	● Kit, Hardware	16	0445-058		1	Solenoid
8	0645-430		1	● Decal, Warning	17	8476-625		4	Screw, Machine
9	0417-012		1	Foam, Battery	18	0825-024	X	1	Motor, Starter - Assembly



## THROTTLE BODY ASSEMBLY

0742-670

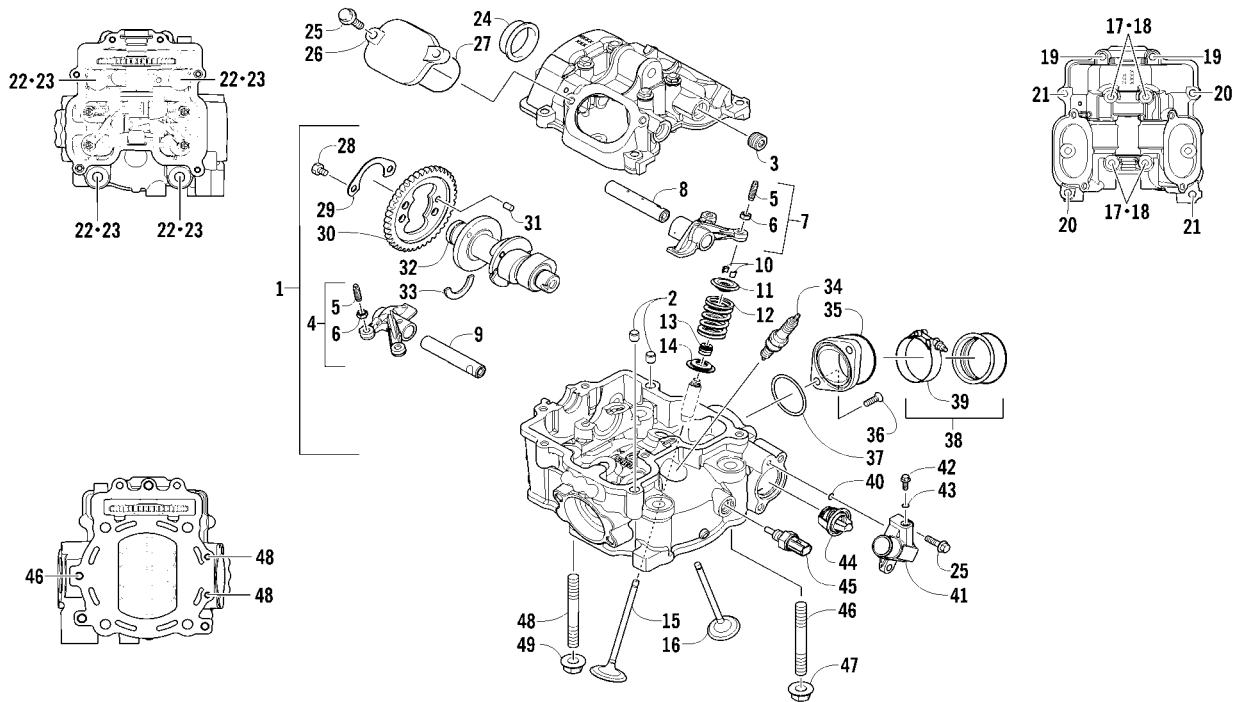
Ref	Part No.	New Qty	Description	Ref	Part No.	New Qty	Description
1	0470-753	1	Throttle - Assembly (inc. 2-19)	11	0470-762	1	● Injector, Fuel
2	-	1	● Throttle Body - Not Individually Serviced	12	0470-768	1	● Seal
3	0430-072	1	● Sensor, Throttle Position	13	5507-227	1	● Bracket, MAP Sensor
4	5507-234	1	● O-Ring	14	5507-117	2	● Screw, Machine
5	5507-231	1	● Screw, Machine	15	0430-073	1	● Sensor, MAP
6	0430-074	1	● Valve, ISC	16	5507-232	1	● O-Ring
7	5507-233	1	● O-Ring	17	5507-229	1	● Plate, ISC Valve
8	5507-238	1	● Screw, Machine	18	5507-223	1	● Cover
9	0470-687	1	● Rail, Fuel	19	5507-037	1	● Screw, Machine
10	0470-767	1	● O-Ring	20	0487-057	1	Cable, Throttle



## CYLINDER ASSEMBLY

0743-952

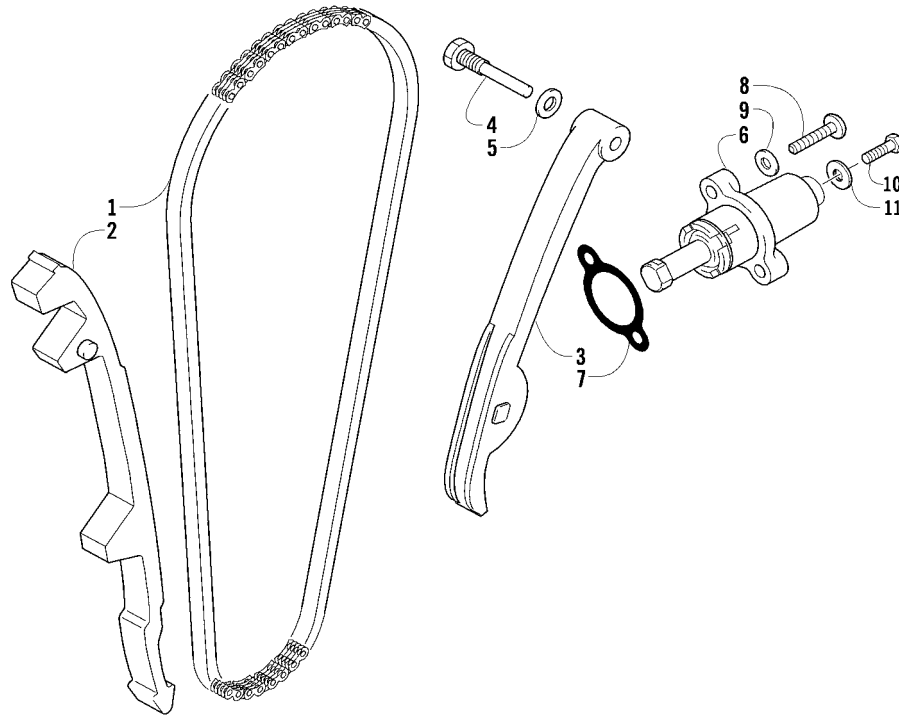
Ref	Part No.	New	Qty	Description	Ref	Part No.	New	Qty	Description
1	0804-060		1	Cylinder	7	8468-612		1	Screw, Machine
2	0827-002		4	Bolt, Stud	8	0830-007		1	O-Ring
3	8424-604		4	Nut	9	0830-112		1	Gasket, Cylinder Head
4	0830-111		1	Gasket, Base	10	0830-113		4	O-Ring
5	0829-002		2	Pin, Dowel	11	0829-062		2	Pin, Dowel
6	0804-047		1	Union, Coolant Hose					



## CYLINDER HEAD AND CAMSHAFT/VALVE ASSEMBLY

0745-419

Ref	Part No.	New	Qty	Description	Ref	Part No.	New	Qty	Description
1	0808-226	X	1	Head, Cylinder - Assembly (inc. 2-17)	25	0826-007		6	Screw, Cap
2	0829-062		2	● Pin, Dowel	26	0808-003		2	Cap, Inspection
3	0831-092		2	● Plug, Shaft	27	0830-004		2	O-Ring
4	0809-319	X	1	● Arm, Valve Rocker - Exhaust (inc. two No. 5-6)	28	0826-034		2	Screw, Cap
5	0809-240		4	●● Screw, Adjuster	29	0828-004		1	Plate, Retainer
6	0827-059		4	●● Nut	30	0809-212		1	Sprocket
7	0809-318	X	1	● Arm, Valve Rocker - Intake (inc. two No. 5-6)	31	0829-049		1	Pin, Dowel
8	0809-241		1	● Shaft, Rocker Arm - Intake	32	0809-245		1	Camshaft
9	0809-242		1	● Shaft, Rocker Arm - Exhaust	33	0809-003		1	C-Ring
10	0809-233		8	● Cotter, Valve	34	0217-799		1	Spark Plug - CPR8E
11	0809-232		4	● Retainer, Spring	35	0470-668		1	Flange, Intake Manifold
12	0809-231		4	● Spring, Valve	36	0826-008		2	Screw, Machine
13	0830-186		4	● Seal, Oil	37	0830-090		1	O-Ring
14	0809-215		4	● Seat, Spring - Valve	38	0437-069		1	Boot (inc. 39)
15	0809-228		2	● Valve, Intake	39	1423-041		1	● Clamp
16	0809-229		2	● Valve, Exhaust	40	0830-168		1	O-Ring
17	0826-149		4	● Screw, Cap	41	0808-208		1	Cover, Thermostat (inc. 42-43)
18	0830-155		4	Gasket	42	8408-512		1	● Screw, Cap
19	0826-002		2	Screw, Cap	43	0423-182		1	● O-Ring
20	0826-005		2	Screw, Cap	44	0808-078		1	Thermostat
21	0826-006		2	Screw, Cap	45	0808-124		1	Sensor, Engine Coolant Temperature
22	0808-037		4	Screw, Cap	46	0827-031		1	Bolt, Stud
23	0830-147		4	Washer	47	8424-804		1	Nut
24	0808-077		1	Plug, Cylinder Head	48	0827-054		2	Bolt, Stud
					49	8424-604		2	Nut

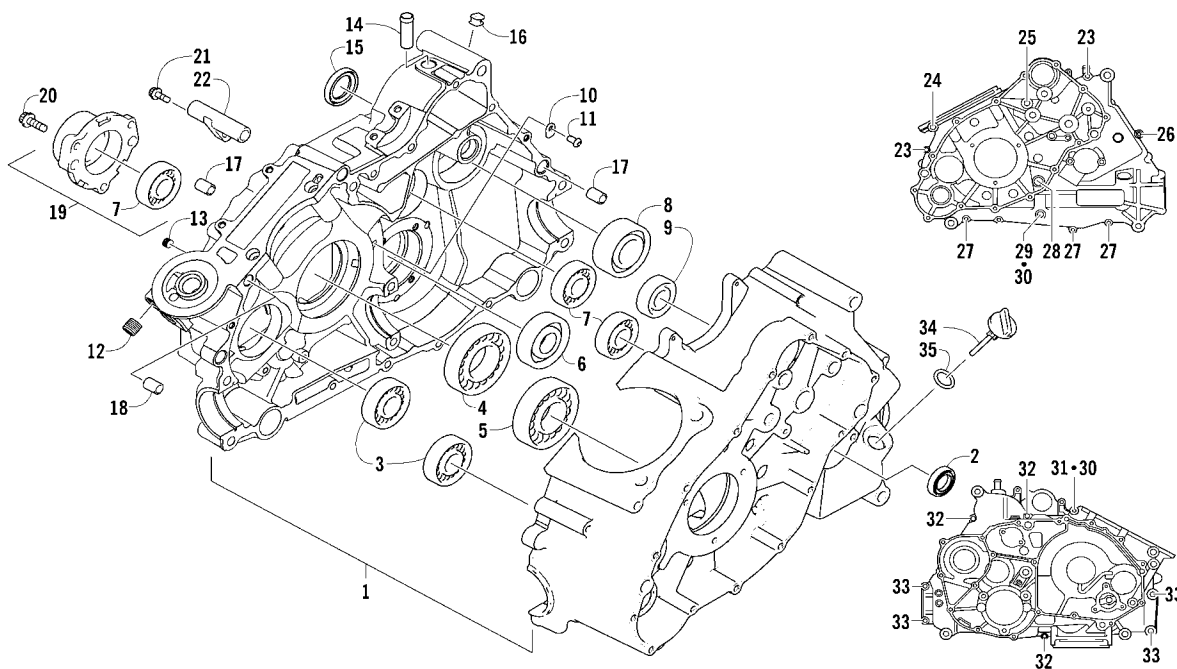


## CAM CHAIN ASSEMBLY

0732-308

Ref	Part No.	New Qty	Description	Ref	Part No.	New Qty	Description
1	0810-001	1	Chain, Cam	7	0830-018	1	Gasket
2	0810-002	1	Guide, Chain	8	8468-625	2	Screw, Machine
3	0810-003	1	Tensioner, Chain	9	0830-107	2	Gasket
4	0826-036	1	Pivot, Tensioner	10	8400-610	1	Screw, Cap
5	0830-025	1	Washer, Crush	11	0828-129	1	Washer
6	0810-004	1	Adjuster, Tensioner - Assembly				

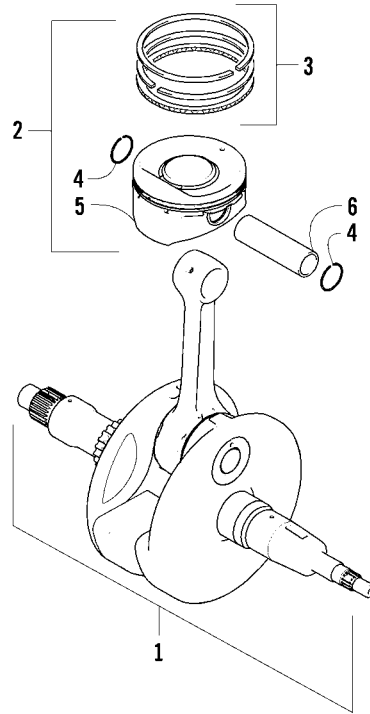




## CRANKCASE ASSEMBLY

0746-854

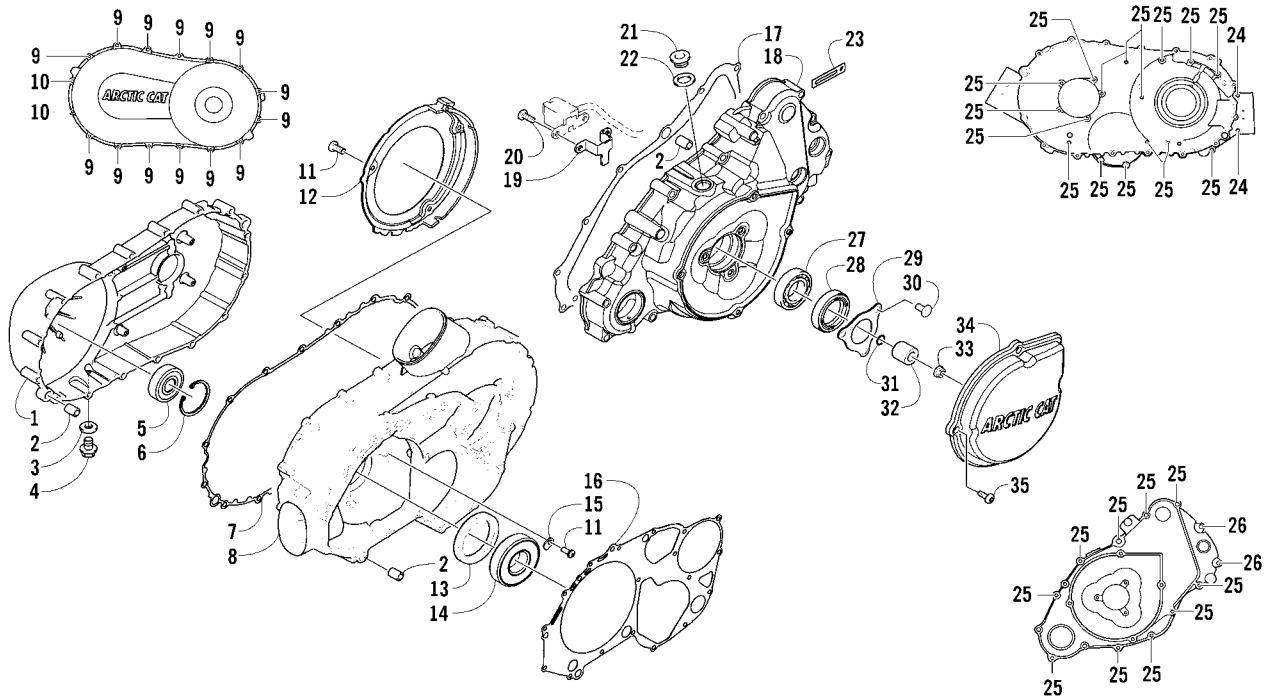
Ref	Part No.	New Qty	Description	Ref	Part No.	New Qty	Description
1	0801-151	1	Crankcase Assembly (inc. 2-15)	19	0801-029	1	Housing, Secondary Shaft (inc. one No. 7)
2	0822-052	1	● Seal, Countershaft	20	0826-105	3	Screw, Cap
3	0832-005	2	● Bearing	21	0826-038	1	Screw, Cap
4	0832-042	1	● Bearing	22	0801-069	1	Pipe, Breather
5	0832-043	1	● Bearing	23	8468-675	2	Screw, Machine
6	0832-077	1	● Bearing	24	0826-019	1	Screw, Cap
7	0832-050	3	● Bearing	25	8468-680	1	Screw, Machine
8	0832-048	1	● Bearing	26	8468-695	1	Screw, Machine
9	0832-049	1	● Bearing	27	8468-645	3	Screw, Machine
10	0822-010	4	● Retainer, Bearing	28	0826-017	1	Screw, Cap
11	0826-100	4	● Screw, Machine	29	8412-860	1	Screw, Cap
12	0812-064	2	● Plug	30	0830-008	2	Gasket
13	0801-002	1	● Plug	31	0826-018	1	Screw, Cap
14	0801-028	1	● Pipe, Breather	32	8468-655	3	Screw, Machine
15	0830-035	1	● Seal, Driveshaft	33	8412-850	4	Screw, Cap
16	0830-217	1	Grommet	34	0801-179	1	Stick, Oil Level
17	0829-002	5	Pin, Dowel	35	0830-010	1	O-Ring
18	0829-003	1	Pin, Dowel				



## CRANKSHAFT AND PISTON ASSEMBLY

0739-932

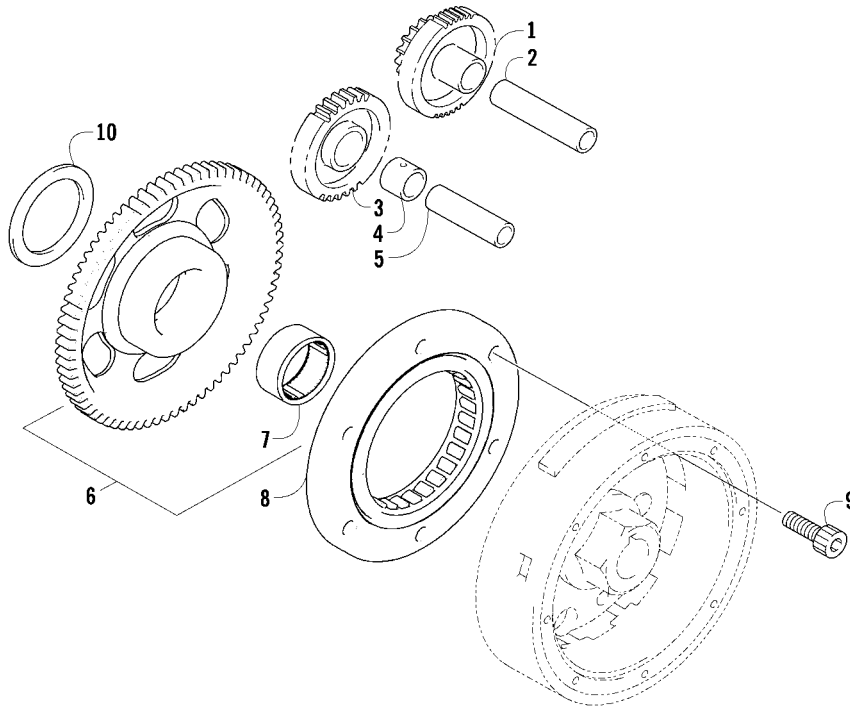
Ref	Part No.	New Qty	Description	Ref	Part No.	New Qty	Description
1	0805-326	1	Crankshaft Assembly	4	0831-001	2	● Circlip, Piston Pin
2	0805-297	1	Piston Set (inc. 3-6)	5	0805-296	1	● Piston
3	0805-132	1	● Ring, Piston - Set	6	0805-210	1	● Pin, Piston



## CLUTCH/V-BELT/MAGNETO COVER ASSEMBLY

0746-612

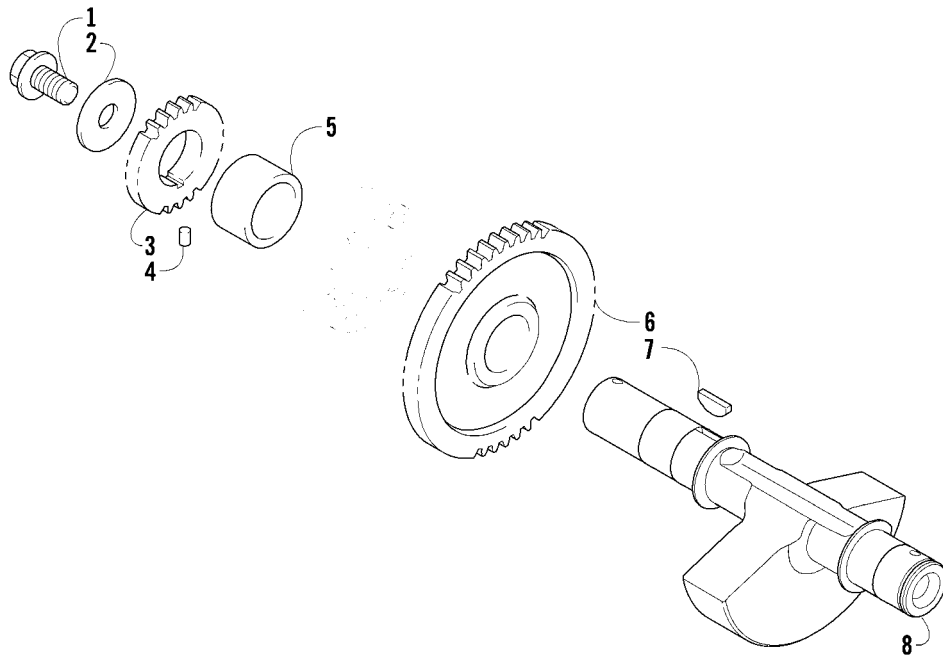
Ref	Part No.	New Qty	Description	Ref	Part No.	New Qty	Description
1	0806-089	1	Cover, V-Belt	19	0802-071	1	● Clamp, Routing
2	0829-002	6	Pin, Dowel	20	8470-510	2	Screw, Machine
3	0830-013	1	Washer, Crush	21	0826-155	1	Plug
4	8408-812	1	Screw, Cap	22	0830-015	1	Washer, Crush
5	0832-060	1	Bearing	23	1623-984	1	Clamp, Routing
6	0831-078	1	Ring, Retaining	24	8468-675	2	Screw, Machine
7	0830-174	1	Gasket, V-Belt Cover	25	8468-640	26	Screw, Machine
8	0806-086	1	Cover, Clutch	26	8468-625	2	Screw, Machine
9	8468-645	14	Screw, Machine	27	1602-981	1	Bearing
10	8468-655	2	Screw, Machine	28	0830-158	1	Seal
11	0826-029	5	Screw, Machine	29	0805-008	1	Retainer, Seal
12	0806-048	1	Plate, Air Intake	30	0826-031	3	Screw, Machine
13	0830-188	1	Seal	31	0830-108	1	O-Ring
14	0832-009	1	Bearing	32	0820-061	1	Bushing
15	0822-010	2	Retainer, Bearing	33	0827-008	1	Nut
16	0830-116	1	Gasket, Clutch Cover	34	0820-062	1	Cover, Magneto
17	0830-128	1	Gasket, Magneto Cover	35	8468-616	4	Screw, Machine
18	0806-127	1	Cover, Magneto - Assembly (inc. 19)				



## STARTER CLUTCH ASSEMBLY

0739-940

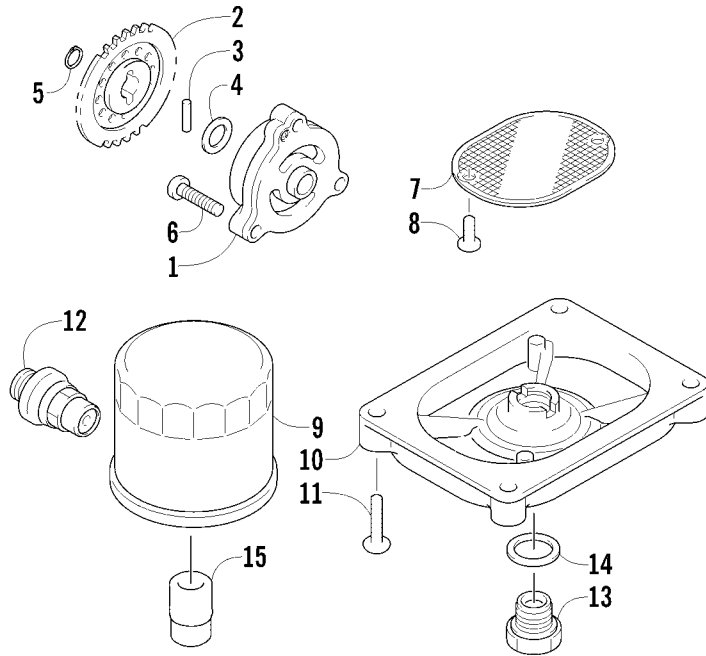
Ref	Part No.	New Qty	Description	Ref	Part No.	New Qty	Description
1	0815-001	1	Gear, Starter Idler - No. 1	6	0815-004	1	Gear, Starter Clutch (inc. 7)
2	0829-031	1	Shaft, Starter Gear	7	0832-079	1	● Bearing
3	0815-002	1	Gear, Starter Idler - No. 2	8	0802-035	1	Clutch, Starter
4	0815-003	1	Spacer, Starter Idler Gear No. 2	9	0826-069	6	Screw, Cap
5	0829-032	1	Shaft, Starter Gear	10	0828-094	1	Washer



## CRANK BALANCER ASSEMBLY

0739-941

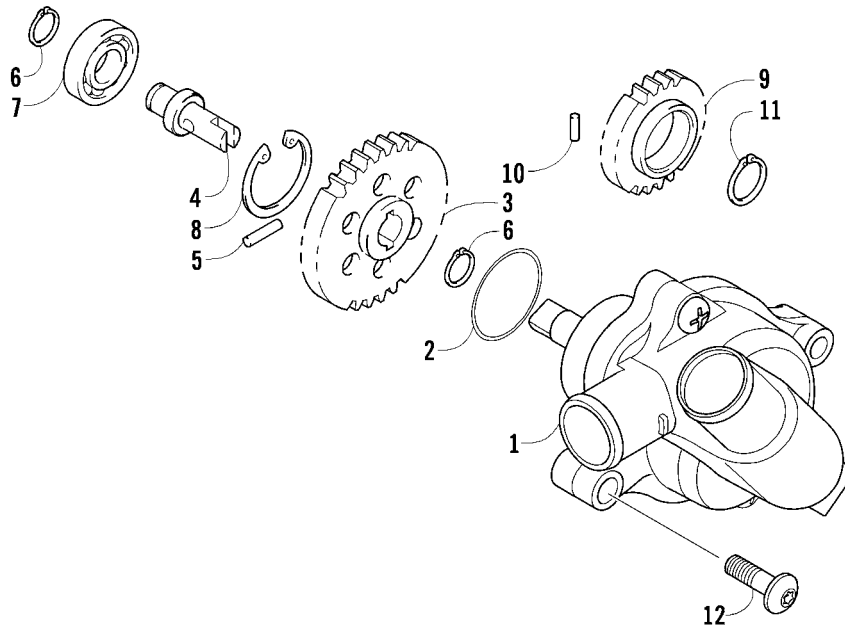
Ref	Part No.	New Qty	Description	Ref	Part No.	New Qty	Description
1	0826-033	1	Screw, Cap	5	0811-004	1	Spacer
2	0828-003	1	Washer	6	0811-034	1	Gear, Driven
3	0811-003	1	Gear, Oil Pump Drive	7	0829-006	1	Key
4	0829-007	1	Pin, Dowel	8	0805-304	1	Balancer, Crank



## OIL FILTER/PUMP ASSEMBLY

0744-012

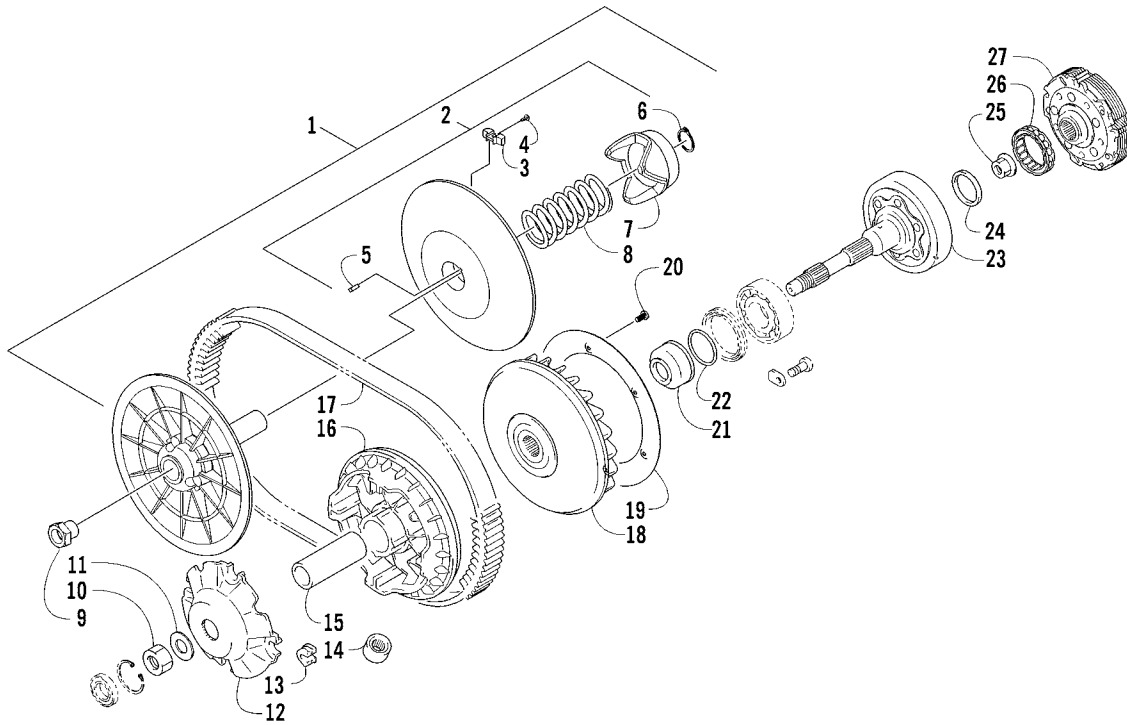
Ref	Part No.	New Qty	Description	Ref	Part No.	New Qty	Description
1	0812-023	1	Pump, Oil	9	0812-034	1	Filter, Oil
2	0812-083	1	Gear, Driven	10	0812-053	1	Cap, Oil Strainer
3	0829-009	1	Pin	11	8468-625	4	Screw, Machine
4	0828-007	1	Washer	12	0812-007	1	Valve, Oil-Relief - Assembly
5	0831-002	1	Ring, Retaining	13	0812-006	1	Plug, Drain
6	0826-039	3	Screw, Machine	14	0830-017	1	Gasket, Drain Plug
7	0812-057	1	Strainer, Oil	15	0812-066	1	Union, Filter
8	0826-040	2	Screw, Machine				



## WATER PUMP ASSEMBLY

0739-945

Ref	Part No.	New Qty	Description	Ref	Part No.	New Qty	Description
1	0813-001	1	Pump, Water - Assembly (inc. 2)	7	0832-046	1	Bearing, Shaft
2	0830-029	1	● O-Ring	8	0831-004	1	Ring, Retaining
3	0813-004	1	Gear, Driven	9	0811-003	1	Gear, Water Pump Drive
4	0813-005	1	Shaft, Driven Gear	10	0829-007	1	Pin, Alignment
5	0829-009	1	Pin, Driven Gear	11	0831-005	1	Ring, Retaining
6	0831-002	2	Ring, Retaining	12	8468-665	2	Screw, Machine

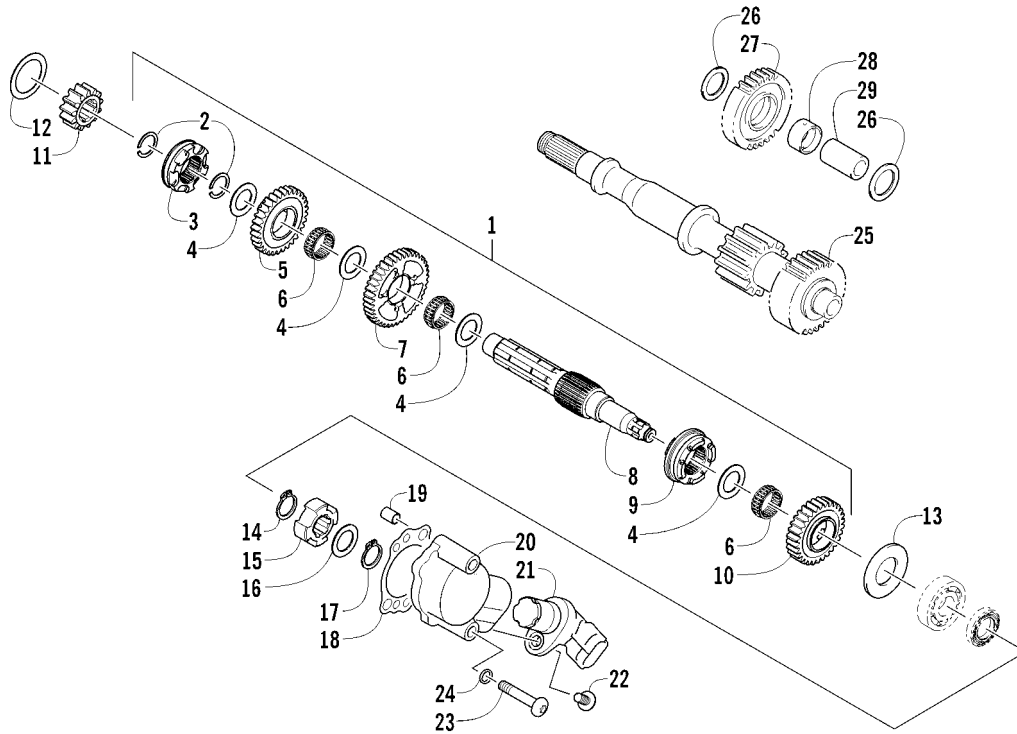


## TRANSMISSION ASSEMBLY

0747-920

Ref	Part No.	New	Qty	Description	Ref	Part No.	New	Qty	Description
1	0823-432	X	1	Pulley, Driven - Assembly (inc. 2-9)	15	0823-271		1	Spacer
2	0823-456	X	1	● Pulley, Driven - Uncalibrated (inc. 3-6)	16	0823-273		1	Face, Movable Drive
3	0823-454	X	3	●● Shoe, Cam	17	0823-013		1	Belt, Drive
4	0823-177		3	●● Screw, Machine	18	0823-272		1	Face, Fixed Drive
5	0823-383	X	1	●● Key	19	0823-131		1	Shroud, Drive Face
6	0823-455	X	1	●● Ring, Snap - External	20	0623-914		6	Screw, Self-Tapping
7	0823-453	X	1	● Cam	21	0823-015		1	Spacer, Fixed Drive Face
8	0823-377		1	● Spring - Black	22	0470-531		1	O-Ring
9	0823-178		1	● Nut	23	0821-002		1	Housing, Clutch - Assembly
10	0827-010		1	Nut	24	0830-189		1	Seal
11	0828-106		1	Washer	25	0827-011		1	Nut
12	0823-276		1	Plate, Movable Drive Face	26	0823-018		1	Clutch, One-Way
13	0823-277		4	Damper, Movable Drive Face	27	0823-484	X	1	Clutch, Centrifugal - 6 Plate
14	0823-167		8	Roller					

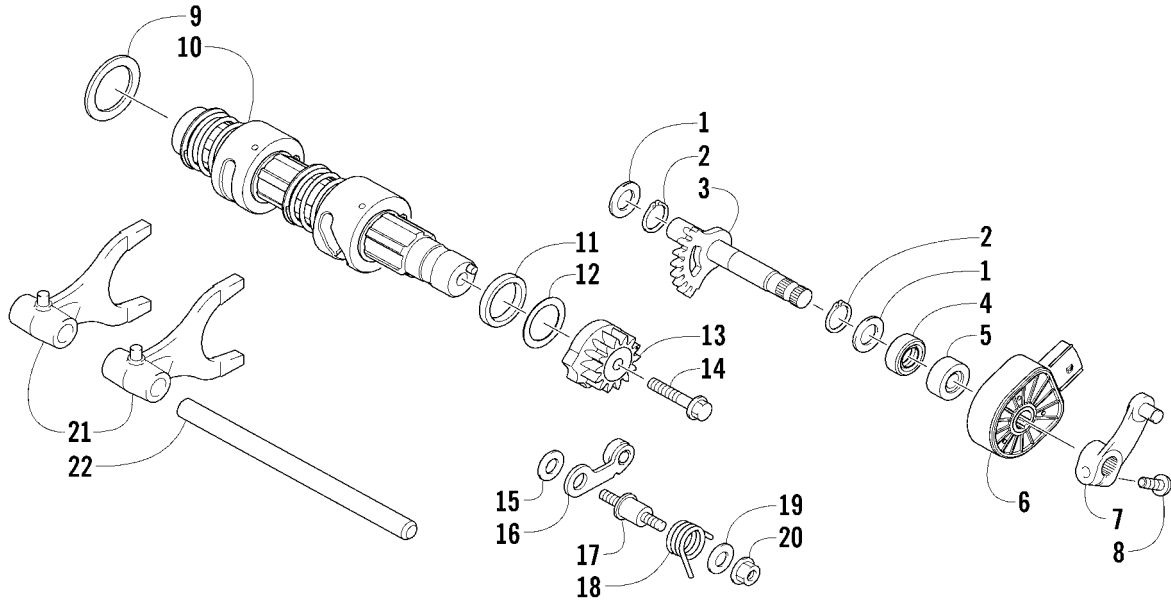




## SECONDARY TRANSMISSION ASSEMBLY

0745-260

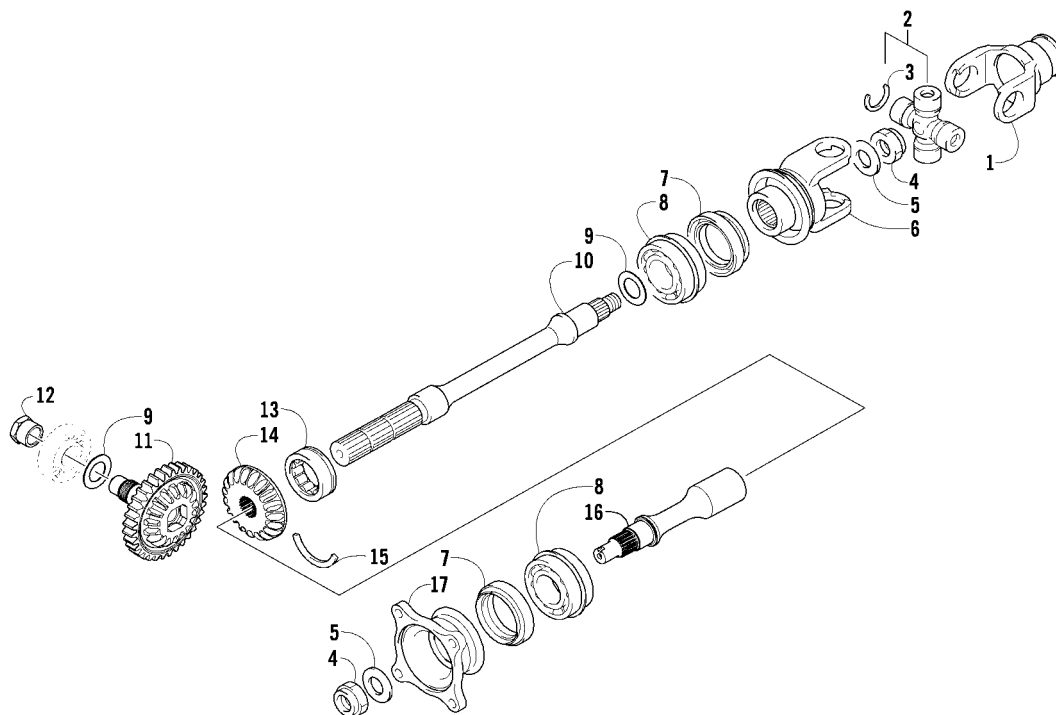
Ref	Part No.	New Qty	Description	Ref	Part No.	New Qty	Description
1	0822-144	1	Countershaft Assembly (inc. 2-10)	16	0828-069	1	Washer, Thrust
2	0831-085	2	● Ring, Retaining	17	0831-039	1	Ring, Retaining
3	0822-120	1	● Gear Select, Reverse	18	0830-129	1	Gasket
4	0822-121	4	● Shim	19	0829-023	2	Pin, Dowel
5	0822-119	1	● Gear, Reverse Driven	20	0822-049	1	Housing, Speedometer Sensor
6	0832-082	3	● Bearing	21	0430-091	1	Sensor, Speedometer
7	0822-114	1	● Gear, Driven - Low	22	8468-620	1	Screw, Machine
8	0822-113	1	● Countershaft	23	8468-645	2	Screw, Machine
9	0822-145	1	● Gear Select, Sliding	24	0830-107	2	Gasket
10	0822-148	1	● Gear, Driven - High	25	0822-001	1	Driveshaft
11	0822-125	1	Gear, Drive	26	0828-016	2	Washer, Thrust
12	0828-019	1	Washer, Thrust	27	0822-011	1	Gear, Reverse Idle
13	0828-011	1	Washer	28	0822-012	1	Bushing
14	0831-040	1	Ring, Retaining	29	0822-015	1	Shaft, Reverse Idle
15	0822-050	1	Trigger, Speedometer Sensor				



## GEAR SHIFTING ASSEMBLY

0746-855

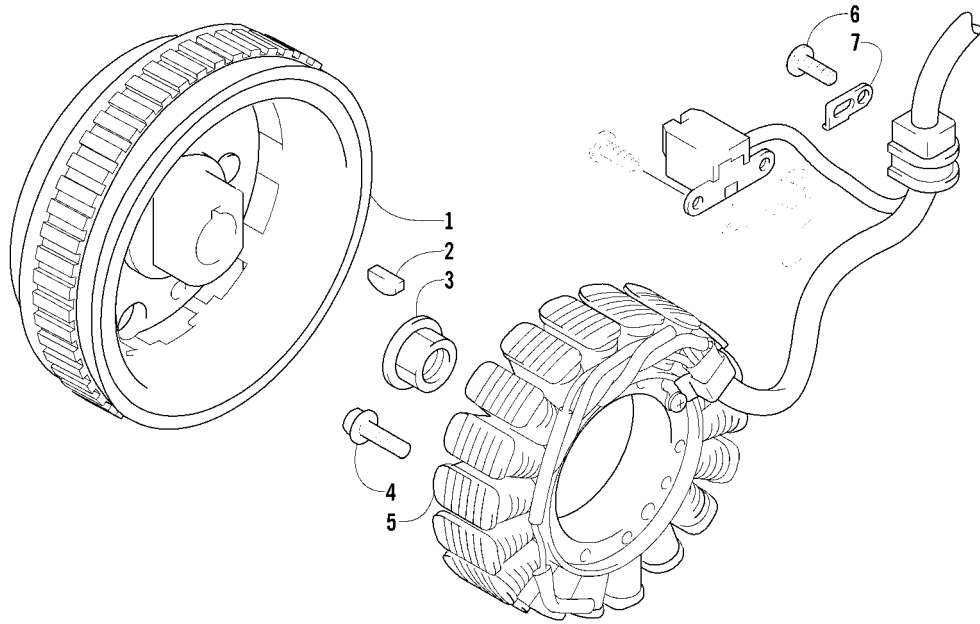
Ref	Part No.	New Qty	Description	Ref	Part No.	New Qty	Description
1	0828-036	2	Washer	12	0828-037	1	Washer
2	0831-010	2	Ring, Retaining	13	0818-143	1	Cam, Gear Shift
3	0818-155	1	Shaft, Sub-Gear Shift	14	0826-006	1	Screw, Cap
4	0830-044	1	Seal, Sub-Gear Shift Shaft	15	0828-038	1	Washer
5	0818-152	1	Spacer	16	0818-002	1	Stopper, Cam
6	0409-125	1	Switch, Gear Position	17	0818-004	1	Support, Cam Stopper
7	0818-014	1	Arm, Select	18	0818-144	1	Spring
8	8468-620	1	Screw, Machine	19	0828-035	1	Washer
9	0828-040	1	Washer	20	8424-602	1	Nut
10	0818-149	1	Shaft, Gear Shift - Assembly	21	0818-072	2	Fork, Shift
11	0828-131	1	Spacer	22	0818-006	1	Shaft, Shift Fork



## SECONDARY DRIVE ASSEMBLY

0743-766

Ref	Part No.	New Qty	Description	Ref	Part No.	New Qty	Description
1	0819-063	1	Yoke, Propeller Shaft Joint	10	0819-115	1	Shaft, Secondary Driven - Front
2	1402-164	1	Joint, Universal - Set (inc. 3)	11	0822-131	1	Gear, Secondary Drive
3	0423-450	4	● Ring, Retaining	12	0827-052	1	Nut
4	0827-013	2	Nut	13	0832-016	1	Bearing
5	0828-020	2	Washer	14	0822-106	1	Gear, Secondary Driven
6	0819-061	1	Yoke, Drive Output - Front	15	0819-011	1	Ring, Driven Bearing
7	0830-043	2	Seal, Oil	16	0819-053	1	Shaft, Secondary Driven - Rear
8	0832-017	2	Bearing	17	0819-005	1	Flange, Output Joint - Rear
9	0828-021	AR	Shim, 25 x 34 x 0.25 mm				
	0828-022	AR	Shim, 25 x 34 x 0.30 mm				
	0828-023	AR	Shim, 25 x 34 x 0.70 mm				
	0828-024	AR	Shim, 25 x 34 x 0.90 mm				
	0828-025	AR	Shim, 25 x 34 x 0.95 mm				
	0828-026	AR	Shim, 25 x 34 x 1.00 mm				
	0828-027	AR	Shim, 25 x 34 x 1.05 mm				
	0828-028	AR	Shim, 25 x 34 x 1.10 mm				
	0828-029	AR	Shim, 25 x 34 x 1.15 mm				



## MAGNETO ASSEMBLY

0746-613

Ref	Part No.	New Qty	Description	Ref	Part No.	New Qty	Description
1	0802-062	1	Rotor/Flywheel	5	0802-065	1	Stator - Assembly
2	0829-012	1	Key	6	8470-510	1	Screw, Machine
3	0827-014	1	Nut	7	0802-015	1	Clamp - No. 1
4	8409-632	3	Screw, Cap				

