

2014 ARCTIC CAT® ILLUSTRATED PARTS MANUAL



550 LTD

Model Number A2014BL01PUSE

Model Number A2014BL01PUSX

Model Number A2014BL01PUSH

Model Number A2014BL01POSE - International

Model Number A2014BL01POSX - International

Model Number A2014BL01POSH - International

ARCTIC CAT®
SHARE OUR PASSION™

www.arcticcat.com

TABLE OF CONTENTS

2014 ATV 550 LTD

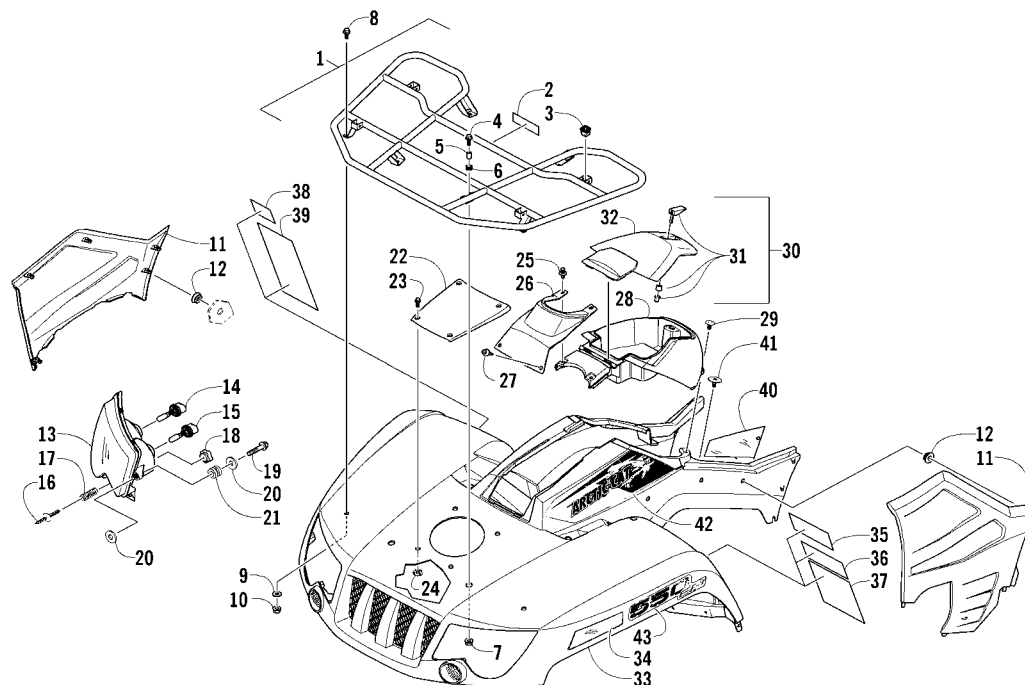
(Model No. A2014BLO1PUSE) (A2014BLO1POSE - Int.)

(Model No. A2014BLO1PUSX) (A2014BLO1PO SX - Int.)

(Model No. A2014BLO1PUSH) (A2014BLO1PO SH - Int.)

FRONT RACK, BODY PANEL, AND HEADLIGHT ASSEMBLIES	1
REAR RACK, BODY PANEL, AND FOOTWELL ASSEMBLIES	2
REAR RACK, BODY PANEL, AND FOOTWELL ASSEMBLIES	3
FRAME AND RELATED PARTS	4
WINCH ASSEMBLY	5
TAILLIGHT ASSEMBLY	6
SEAT ASSEMBLY	7
STEERING ASSEMBLY	8
HANDLEBAR ASSEMBLY	9
INSTRUMENT POD ASSEMBLY	10
FRONT SUSPENSION ASSEMBLY	11
REAR SUSPENSION ASSEMBLY	12
SWAYBAR ASSEMBLY	13
WHEEL AND TIRE ASSEMBLY (1PUSE/1POSE/1PUSX/1PO SX)	14
WHEEL AND TIRE ASSEMBLY (1PUSH/1PO SH)	15
HYDRAULIC BRAKE ASSEMBLY	16
GAS TANK ASSEMBLY	17
SHIFT LEVER ASSEMBLY	18
AIR INTAKE ASSEMBLY	19
ENGINE AND EXHAUST	20
COOLING ASSEMBLY	21
CASE/BELT COOLING ASSEMBLY	22
DRIVE TRAIN ASSEMBLY	23
FRONT DRIVE GEARCASE ASSEMBLY	24
REAR DRIVE GEARCASE ASSEMBLY	25
WIRING HARNESS ASSEMBLY	26
BATTERY AND STARTER ASSEMBLY	27
THROTTLE BODY ASSEMBLY	28
CYLINDER ASSEMBLY	29
CYLINDER HEAD AND CAMSHAFT/VALVE ASSEMBLY	30
CAM CHAIN ASSEMBLY	31
CRANKCASE ASSEMBLY	32
CRANKSHAFT AND PISTON ASSEMBLY	33
CLUTCH/V-BELT/MAGNETO COVER ASSEMBLY	34
STARTER CLUTCH ASSEMBLY	35
CRANK BALANCER ASSEMBLY	36
OIL FILTER/PUMP ASSEMBLY	37
WATER PUMP ASSEMBLY	38
TRANSMISSION ASSEMBLY	39
SECONDARY TRANSMISSION ASSEMBLY	40
GEAR SHIFTING ASSEMBLY	41
SECONDARY DRIVE ASSEMBLY	42
MAGNETO ASSEMBLY	43

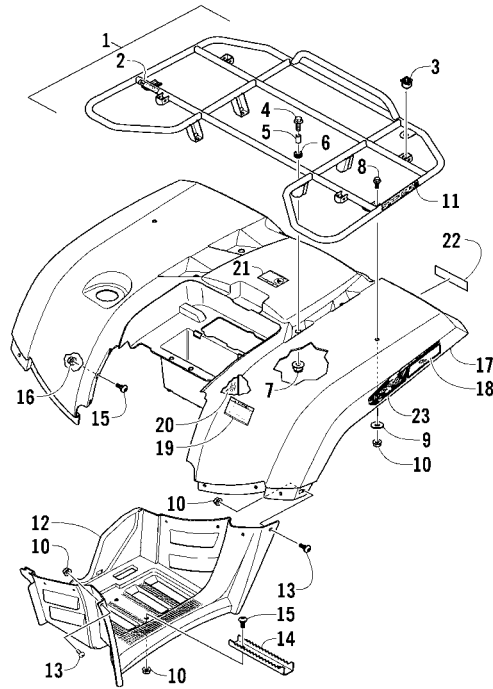
■ **NOTE:** The illustrations used in this Parts Manual are for reference to replacement part numbers only and are not to be used for assembly. For assembly procedures, use an Arctic Cat Service Manual. For a complete list of related items, refer to the current accessory catalog.



FRONT RACK, BODY PANEL, AND HEADLIGHT ASSEMBLIES

0747-517

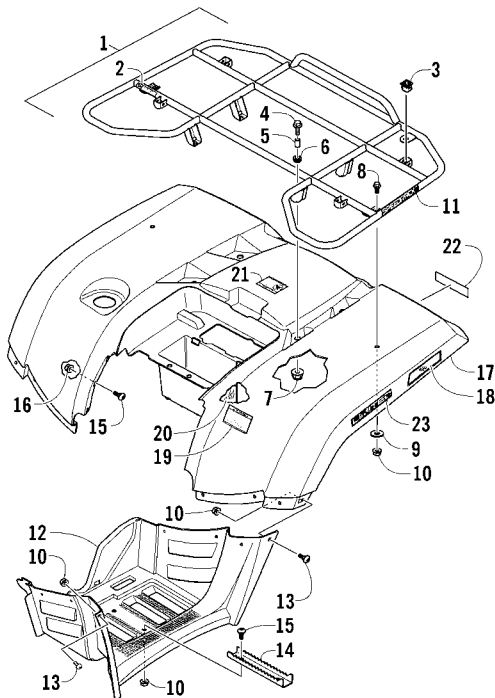
Ref	Part No.	New	Qty	Description	Ref	Part No.	New	Qty	Description
1	2506-646		1	Rack, Front - Assembly (inc. 2-3)	29	0623-544		2	Clip, Retaining
2	0411-576		1	● Decal, Warning - Load	30	2506-235		1	Lid, Storage Box w/Latch (inc. 31-32)
3	0441-592		4	● Bushing	31	1406-599		1	● Latch, Storage Box
4	8410-835		4	Screw, Cap	32	1406-862		1	● Lid, Storage Box
5	0423-669		4	Spacer	33	4506-990	X	1	Panel, Fender - Assembly - Red (inc. 34-40) (1PUSE/1POSE)
6	0423-465		4	Grommet		5506-289	X	1	Panel, Fender - Assembly - Green (inc. 34-40) (1PUSX/1POSX)
7	8432-802		4	Nut, Lock		2516-421		1	Panel, Fender - Assembly - Camo (1PUSH/1POSH)
8	0423-654		2	Screw, Shoulder	34	1411-078		1	● Decal, Reflector - Right - Amber
9	8050-222		2	Washer		1411-079		1	● Decal, Reflector - Left - Amber
10	8427-602		2	Nut, Lock	35	1411-574		1	● Decal, Warning - Off-Road Only
11	2406-380		1	Panel, Side - Lower - Right	36	1411-804		1	● Decal, Warning - Age
	2406-381		1	Panel, Side - Lower - Left	37	1411-932		1	● Decal, Warning - General
12	0423-678		8	Grommet	38	0411-835		1	● Decal, Warning - Turn/Hill
13	0609-852		1	Headlight Assembly - Right (inc. 14-15)	39	1411-250		1	● Decal, Warning - Reverse/Pre-Ride
	0609-853		1	Headlight Assembly - Left (inc. 14-15)	40	0412-394		1	● Foil, Protective
14	0409-073		2	● Bulb, Headlight	41	0423-101		2	Screw, Shoulder
15	0409-045		2	● Bulb, Headlight	42	3411-516	X	1	Decal, Side - Upper Right (1PUSE/1POSE)
16	0423-514		2	Stud, Adjuster - Headlight		3411-517	X	1	Decal, Side - Upper Left (1PUSE/1POSE)
17	0423-522		2	Spring, Adjuster		3411-588	X	1	Decal, Side - Upper Right (1PUSX/1POSX)
18	0423-513		2	Knob, Adjuster		3411-589	X	1	Decal, Side - Upper Left (1PUSX/1POSX)
19	0623-785		4	Screw, Self-Tapping		3411-498	X	1	Decal, Side - Upper Right (1PUSH/1POSH)
20	8050-217		8	Washer		3411-499	X	1	Decal, Side - Upper Left (1PUSH/1POSH)
21	0423-447		4	Grommet	43	3411-515	X	2	Decal, "550 EF" (1PUSE/1POSE)
22	5506-005	X	1	Cover, Access - Red (1PUSE/1POSE)		3411-523	X	2	Decal, "550 EF" (1PUSX/1POSX)
	5506-291	X	1	Cover, Access - Green (1PUSX/1POSX)		3411-522	X	2	Decal, "550 EF" (1PUSH/1POSH)
	4506-378		1	Cover, Access - Black (1PUSH/1POSH)					
23	8410-616		4	Screw, Cap					
24	0423-997		4	T-Nut					
25	0623-362		2	Rivet, Reinstallable					
26	5506-008	X	1	Cover, Steering Post - Black (1PUSE/1POSE/1PUSX/1POSX)					
	4506-379		1	Cover, Steering Post - Black (1PUSH/1POSH)					
27	0423-535		2	Rivet, Reinstallable					
28	5506-010	X	1	Box, Storage - Black (1PUSE/1POSE/1PUSX/1POSX)					
	4506-380		1	Box, Storage - Black (1PUSH/1POSH)					



REAR RACK, BODY PANEL, AND FOOTWELL ASSEMBLIES

0747-518

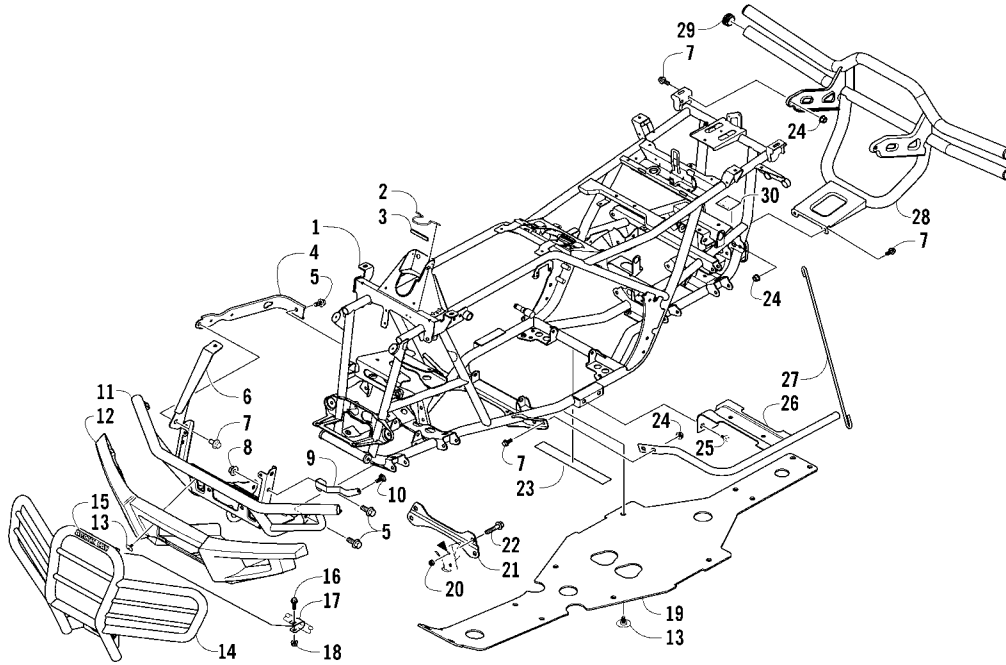
Ref	Part No.	New	Qty	Description	Ref	Part No.	New	Qty	Description
1	2506-124		1	Rack, Rear - Assembly (inc. 2-3)	17	4506-995		1	Panel, Fender - Assembly - Black (inc. 18-21)
2	0411-648		1	● Decal, Warning - Load	18	1411-598		1	● Decal, Reflector - Right - Red
3	0441-592		4	● Bushing		1411-599		1	● Decal, Reflector - Left - Red
4	8410-835		4	Screw, Cap	19	2411-143		1	● Decal, Warning - Tire Pressure
5	0423-669		4	Spacer	20	0412-351		1	● Foil, Protective
6	0423-465		4	Grommet	21	1411-809		1	● Decal, Passenger
7	8432-802		4	Nut, Lock	22	1411-725		1	Decal, "Arctic Cat"
8	0423-654		2	Screw, Shoulder	23	3411-512	X	1	Decal, Side - Lower Right (1PUSE/1POSE)
9	8050-222		2	Washer		3411-513	X	1	Decal, Side - Lower Left (1PUSE/1POSE)
10	8427-602		24	Nut, Lock		3411-520	X	1	Decal, Side - Lower Right (1PUSX/1POSX)
11	0411-965		2	Decal, "Speedrack"		3411-521	X	1	Decal, Side - Lower Left (1PUSX/1POSX)
12	2406-280		1	Footwell - Right					
	2406-281		1	Footwell - Left					
13	0423-419		18	Screw, Machine					
14	1506-125		2	Footpeg					
15	0423-355		10	Screw, Shoulder					
16	8424-602		6	Nut					



REAR RACK, BODY PANEL, AND FOOTWELL ASSEMBLIES

0747-520

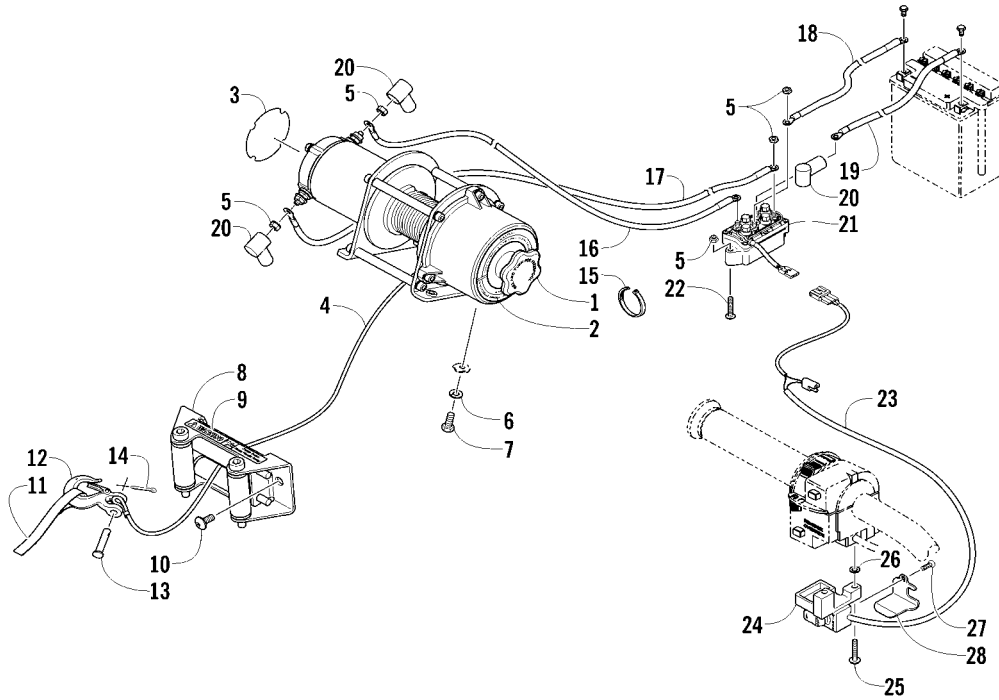
Ref	Part No.	New Qty	Description	Ref	Part No.	New Qty	Description
1	2506-124	1	Rack, Rear - Assembly (inc. 2-3)	13	0423-419		18 Screw, Machine
2	0411-648	1	● Decal, Warning - Load	14	1506-125	2	Footpeg
3	0441-592	4	● Bushing	15	0423-355	10	Screw, Shoulder
4	8410-835	4	Screw, Cap	16	8424-602	6	Nut
5	0423-669	4	Spacer	17	2516-960	1	Panel, Fender - Assembly - Camo (inc. 18-21)
6	0423-465	4	Grommet	18	1411-598	1	● Decal, Reflector - Right - Red
7	8432-802	4	Nut, Lock		1411-599	1	● Decal, Reflector - Left - Red
8	0423-654	2	Screw, Shoulder	19	2411-143	1	● Decal, Warning - Tire Pressure
9	8050-222	2	Washer	20	0412-351	1	● Foil, Protective
10	8427-602	24	Nut, Lock	21	1411-809	1	● Decal, Passenger
11	0411-965	2	Decal, "Speedrack"	22	3411-326	1	Decal, "Arctic Cat"
12	2406-280	1	Footwell - Right	23	3411-524	X 2	Decal, "Limited"
	2406-281	1	Footwell - Left				



FRAME AND RELATED PARTS

0746-799

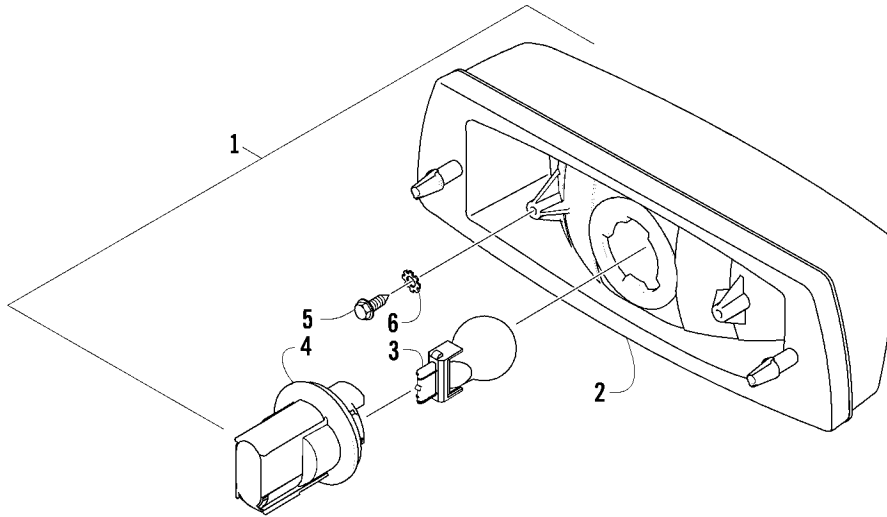
Ref	Part No.	New Qty	Description	Ref	Part No.	New Qty	Description
1	4506-853	1	Frame, Main	16	8410-835	2	● Screw, Cap
2	2416-401	1	Clip, Routing	17	2506-641	2	● Bracket, Support
3	0706-371	AR	Trim - 3 ft	18	8424-805	2	● Nut
4	1506-596	2	Channel, Bumper Mounting	19	1406-030	1	Panel, Belly
5	8409-020	6	Screw, Cap	20	0423-744	2	Nut, Lock
6	1506-686	1	Bracket, Mounting - Bumper - Right	21	2516-852	1	Brace, A-Arm
	1506-687	1	Bracket, Mounting - Bumper - Left	22	8409-025	2	Screw, Cap
7	8408-816	10	Screw, Cap	23	0406-289	2	Pad, Frame
8	8424-002	2	Nut	24	8424-802	8	Nut
9	2516-594	1	Bracket, Support - Right	25	8409-016	4	Screw, Cap
	2516-595	1	Bracket, Support - Left	26	1506-659	1	Footrest - Right
10	0623-797	2	Screw, Self-Tapping		1506-660	1	Footrest - Left
11	1506-684	1	Bumper, Front	27	2506-426	2	Rod, Support
12	1406-868	1	Fascia, Bumper - Front - Black	28	1506-802	1	Bumper, Push - Rear (inc. 29)
13	0423-101	16	Screw, Shoulder	29	2406-045	4	● Plug, Hole
14	1436-032	1	Bumper, Push - Front (inc. 15-18)	30	1411-077	1	Decal, Warning - Towing
15	0411-501	1	● Decal, Bumper - "Arctic Cat"				



WINCH ASSEMBLY

0745-895

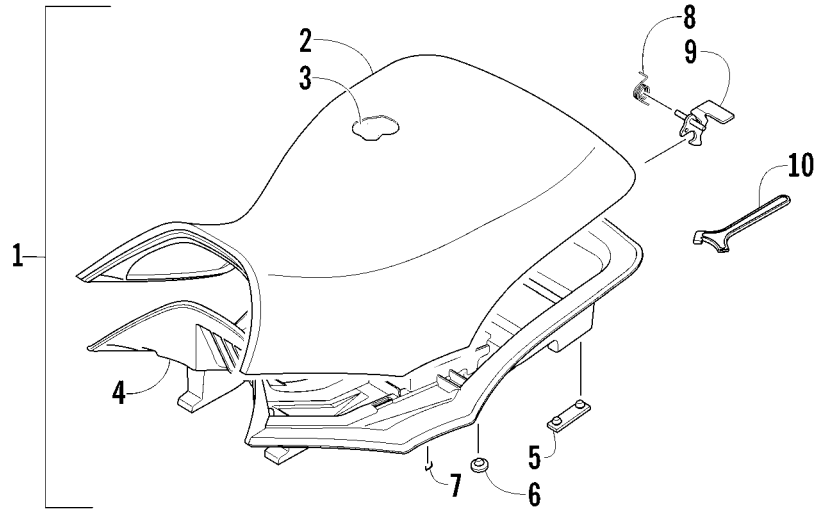
Ref	Part No.	New	Qty	Description	Ref	Part No.	New	Qty	Description
1	2441-250		1	Winch (inc. 2-4 and two No. 5)	15	0123-903		AR	Tie, Cable - 11.5 in.
2	2411-141		1	● Decal, Warning - Tension	16	0445-068		1	Cable, Winch/Solenoid - Yellow
3	2411-140		1	● Decal, Warning - Operation	17	0445-107	X	1	Cable, Winch/Solenoid - Blue
4	1441-831		1	● Cable, Winch	18	1441-112		1	Cable, Solenoid/Battery - Black
5	0623-038		8	● Nut w/Washer	19	0445-087		1	Cable, Solenoid/Battery - Red
6	8051-246		4	Washer, Lock	20	0645-019		3	Boot, Terminal
7	8408-820		4	Screw, Cap	21	0409-066		1	Solenoid
8	0441-403		1	Roller, Winch (inc. 9)	22	8476-625		2	Screw, Machine
9	0411-474		1	● Decal, Warning - Pinch Point	23	0409-087		1	Switch, Control
10	8468-820		2	Screw, Machine	24	0409-034		1	Retainer, Control Switch
11	1441-781		1	Strap	25	8464-560		2	Screw, Machine
12	1441-833		1	Hook, Winch	26	0423-593		1	Washer
13	1441-834		1	Pin	27	0423-382		1	Screw, Self-Tapping
14	0623-175		1	Pin, Cotter	28	5506-053		1	Cover, Switch



TAILLIGHT ASSEMBLY

0739-667

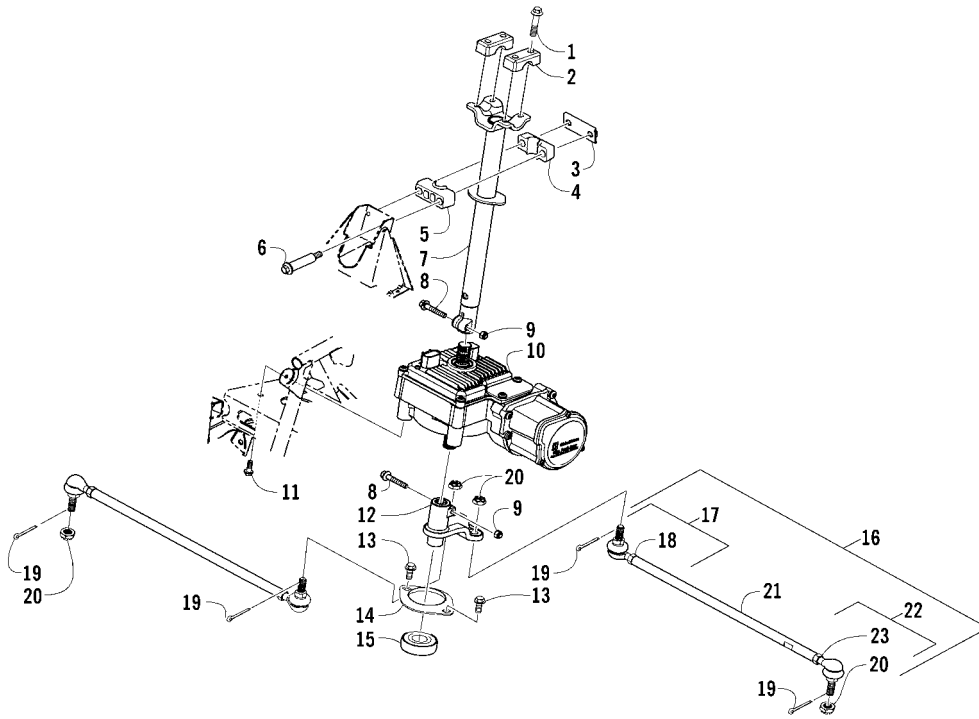
Ref	Part No.	New Qty	Description	Ref	Part No.	New Qty	Description
1	0509-022	1	Taillight Assembly (inc. 2-4)	4	0409-057	1	● Socket, Taillight
2	0509-025	1	● Housing, Taillight	5	0623-301	2	Screw, Self-Tapping
3	0409-056	1	● Bulb, Taillight	6	8053-212	2	Washer, External Tooth Lock



SEAT ASSEMBLY

0744-435

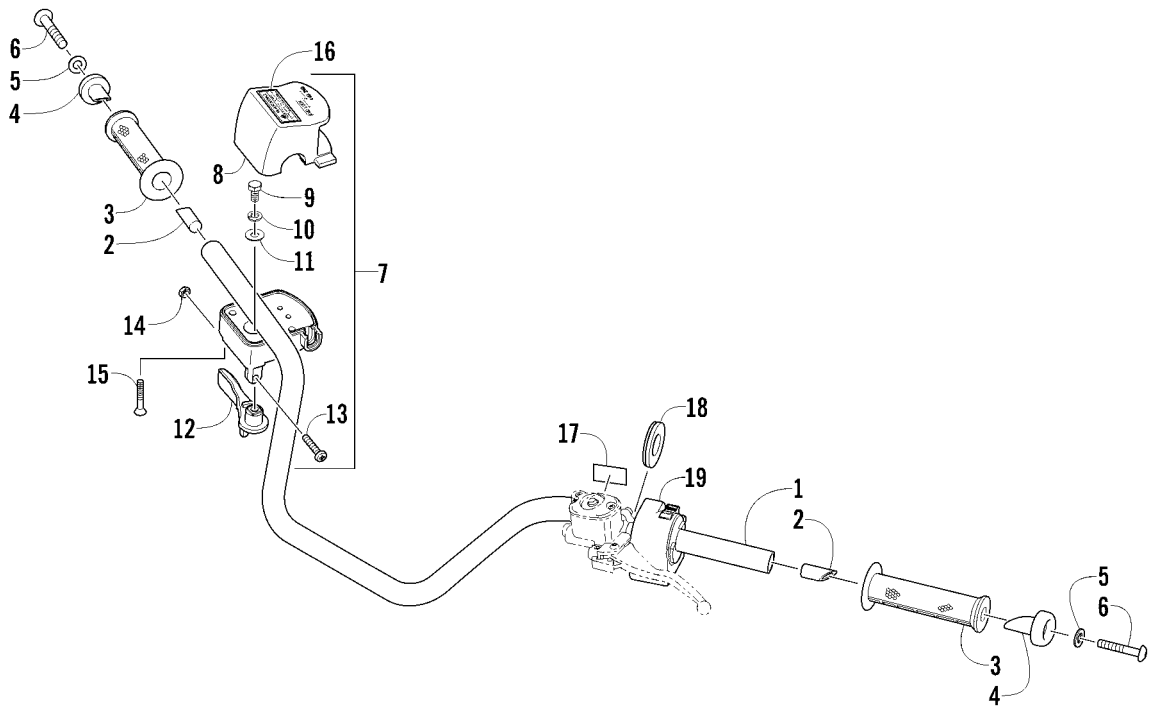
Ref	Part No.	New Qty	Description	Ref	Part No.	New Qty	Description
1	4506-557	1	Seat Assembly (inc. 2-9)	6	0406-877	4	●● Bumper, Seat - Front
2	1506-209	1	● Cover, Seat	7	0624-263	AR	● Staple
3	0517-119	1	● Foam, Seat	8	1406-592	1	● Spring, Seat Latch
4	2416-826	1	● Base, Seat - Assembly (inc. 5-6)	9	1506-156	1	● Latch, Seat
5	0406-879	2	●● Bumper, Seat - Rear	10	0441-587	1	Wrench, Spanner



STEERING ASSEMBLY

0747-919

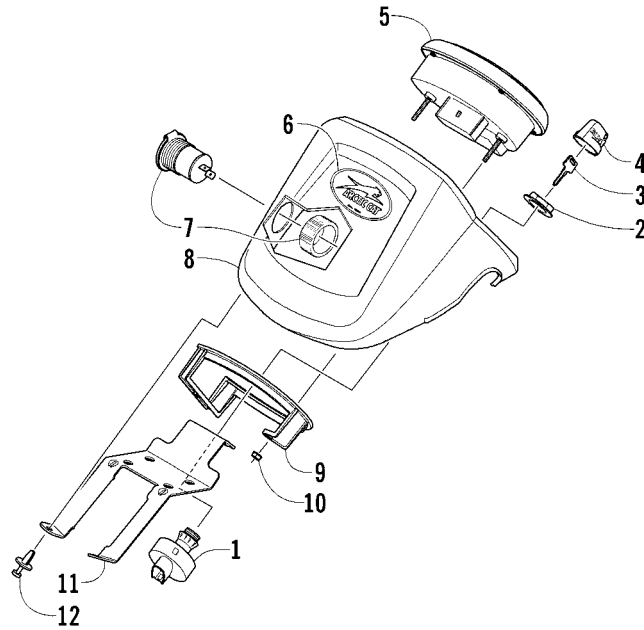
Ref	Part No.	New Qty	Description	Ref	Part No.	New Qty	Description
1	8408-835	4	Screw, Cap	14	0602-233	1	Flange, Bearing
2	0405-035	2	Cap, Steering Adjuster	15	0405-052	1	Bearing w/Inverted Oil Seal
3	0505-484	1	Cap, Housing	16	0505-872	X 2	Tie Rod - Assembly (inc. 17-23)
4	0405-260	1	Housing, Upper	17	0505-875	X 2	● End, Tie Rod - Left-Hand Thread - Kit (inc. one No. 18-20)
5	0405-259	1	Housing, Lower	18	0423-013	2	●● Nut - Left-Hand Thread
6	0423-505	2	Screw, Shoulder	19	0623-175	4	●● Pin, Cotter
7	0505-642	1	Post, Steering	20	0423-157	4	●● Nut, Lock
8	8020-045	2	Screw, Cap	21	0405-281	2	● Tie Rod
9	8040-366	2	Nut, Lock	22	0505-874	X 2	● End, Tie Rod - Right-Hand Thread - Kit (inc. one No. 18-19 and 23)
10	0505-848	1	Assembly, Electronic Power Steering	23	8420-002	2	●● Nut - Right-Hand Thread
11	8409-020	4	Screw, Cap				
12	0505-664	1	Arm, Steering				
13	8408-816	2	Screw, Cap				



HANDLEBAR ASSEMBLY

0745-894

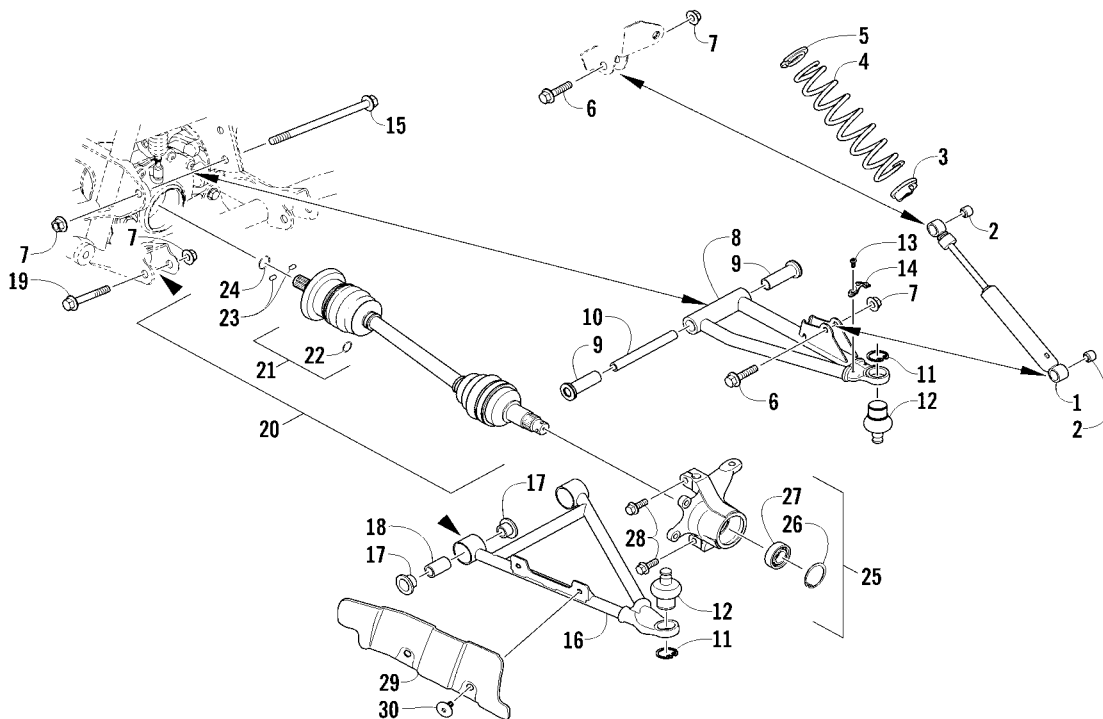
Ref	Part No.	New Qty	Description	Ref	Part No.	New Qty	Description
1	0505-418	1	Handlebar	11	3003-030	1	● Washer
2	0405-218	2	Plug, Handlebar	12	0409-133	1	● Lever, Throttle
3	0405-147	2	Grip, Handlebar	13	3423-014	1	● Screw, Machine
4	0405-149	2	End Cap, Handlebar	14	3423-327	1	● Nut
5	8050-247	2	Washer	15	3423-199	2	● Screw, Machine
6	8477-845	2	Screw, Machine	16	0411-966	1	Decal, Warning - Differential Lock
7	0509-054	1	Case, Throttle - Assembly (inc. 8-15)	17	1411-865	1	Decal, Warning - Brake Lever Lock
8	0409-141	1	● Cover, Throttle Case w/Switch	18	3409-019	1	Cover, Switch Housing
9	3007-392	1	● Screw, Cap	19	0509-014	1	Switch, Control - Assembly
10	3004-447	1	● Washer, Lock				



INSTRUMENT POD ASSEMBLY

0746-654

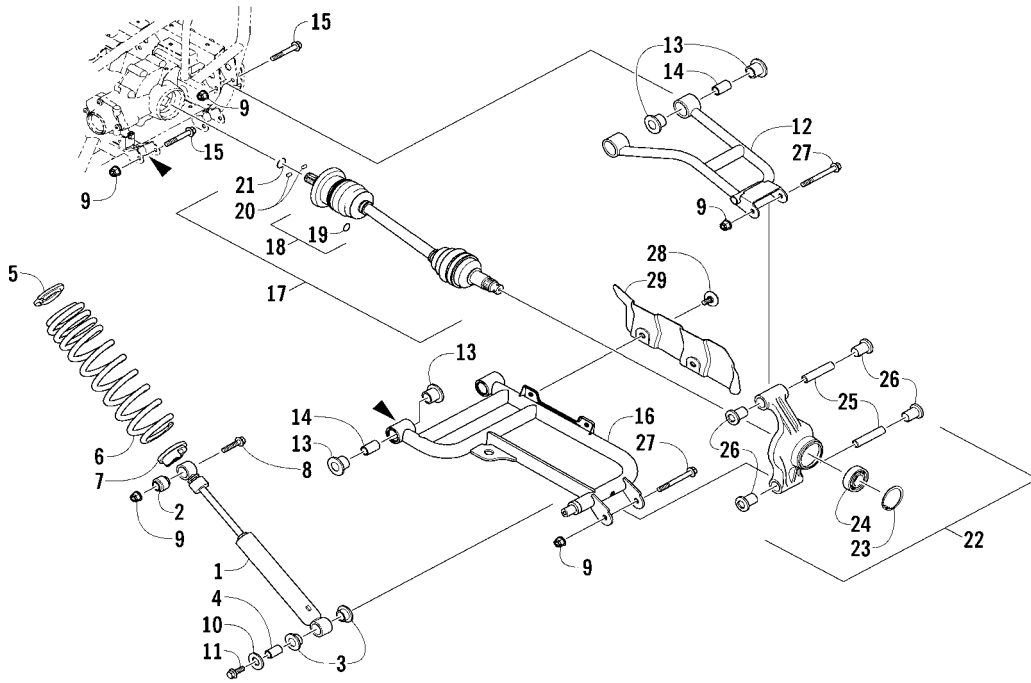
Ref	Part No.	New Qty	Description	Ref	Part No.	New Qty	Description
1	0430-090	1	Switch, Ignition - Assembly (inc. 2-4)	7	0641-897	1	Outlet, Accessory - 12V
2	0430-050	1	● Nut, Retaining	8	0505-697	X 1	Instrument Pod - Black (1PUSE/1POSE/1PUSX/1POSX)
3	0430-042	1	● Key, Ignition (Y Series - Left-Side Cut)		0505-591	1	Instrument Pod - Black (1PUSH/1POSH)
	0430-043	1	● Key, Ignition (Z Series - Right-Side Cut)				
4	0430-054	1	● Cover, Key	9	0420-065	1	Bracket, Retaining
5	0520-221	1	Gauge, LCD	10	0423-493	2	Nut w/Washer
6	9611-751	1	Decal, "Arctic Cat" (1PUSE/1POSE)	11	2506-470	1	Bracket, Mounting - Instrument Pod
	9611-752	1	Decal, "Arctic Cat" (1PUSX/1POSX/1PUSH/1POSH)	12	0423-535	2	Rivet, Reinstallable



FRONT SUSPENSION ASSEMBLY

0745-247

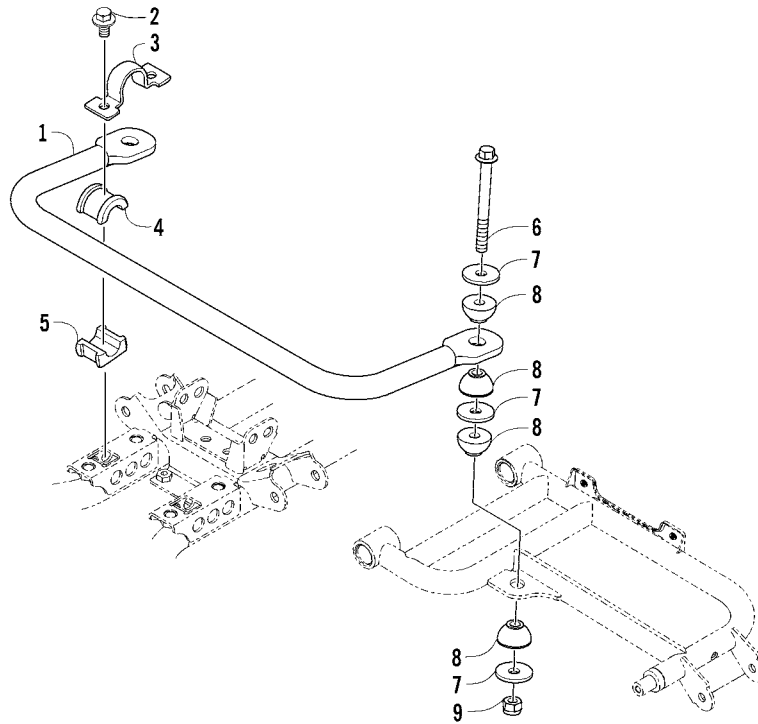
Ref	Part No.	New Qty	Description	Ref	Part No.	New Qty	Description
1	0403-209	2	Shock Absorber (inc. 2)	17	0403-208	8	● Bushing
2	0403-182	4	● Bushing	18	0403-214	4	● Axle
3	0403-288	2	Cam, Spring Adjuster	19	8409-075	4	Screw, Cap
4	0503-509	2	Spring, Suspension - White (1PUSE/1POSE/1PUSX/1PO SX)	20	1502-800	1	Axle, Drive - Right (inc. 21-24)
	0503-510	2	Spring, Suspension - Black (1PUSH/1POSH)		1502-799	1	Axle, Drive - Locking - Left (inc. 21-24)
5	1603-889	2	Retainer, Spring	21	1436-419	2	● Repair Kit, Boot (inc. 22)
6	8409-040	4	Screw, Cap	22	1441-988	2	●● Clip, Retaining
7	0423-744	10	Nut, Lock	23	1402-885	4	● Pin, Detent
8	0503-416	1	A-Arm, Upper Right - Black (inc. 9-12)	24	1402-889	2	● Clip, Retaining
	0503-417	1	A-Arm, Upper Left - Black (inc. 9-12)	25	0505-576	1	Knuckle - Assembly - Right (inc. 26-27)
9	0403-207	4	● Bushing		0505-577	1	Knuckle - Assembly - Left (inc. 26-27)
10	0403-080	2	● Axle	26	0423-423	2	● Ring, Retaining
11	0423-009	4	● Ring, Retaining	27	1402-809	2	● Bearing
12	0405-483	4	● Ball Joint	28	0423-998	4	Screw, Shoulder
13	0423-946	4	Screw, Self-Tapping	29	1406-034	1	Guard, Boot - Right - Black
14	1502-594	2	Clamp, Routing		1406-035	1	Guard, Boot - Left - Black
15	0423-334	2	Screw, Cap	30	0423-545	4	Screw, Shoulder
16	0503-376	1	A-Arm, Lower Right - Black (inc. 17-18 and two No. 11-12)				
	0503-377	1	A-Arm, Lower Left - Black (inc. 17-18 and two No. 11-12)				



REAR SUSPENSION ASSEMBLY

0746-655

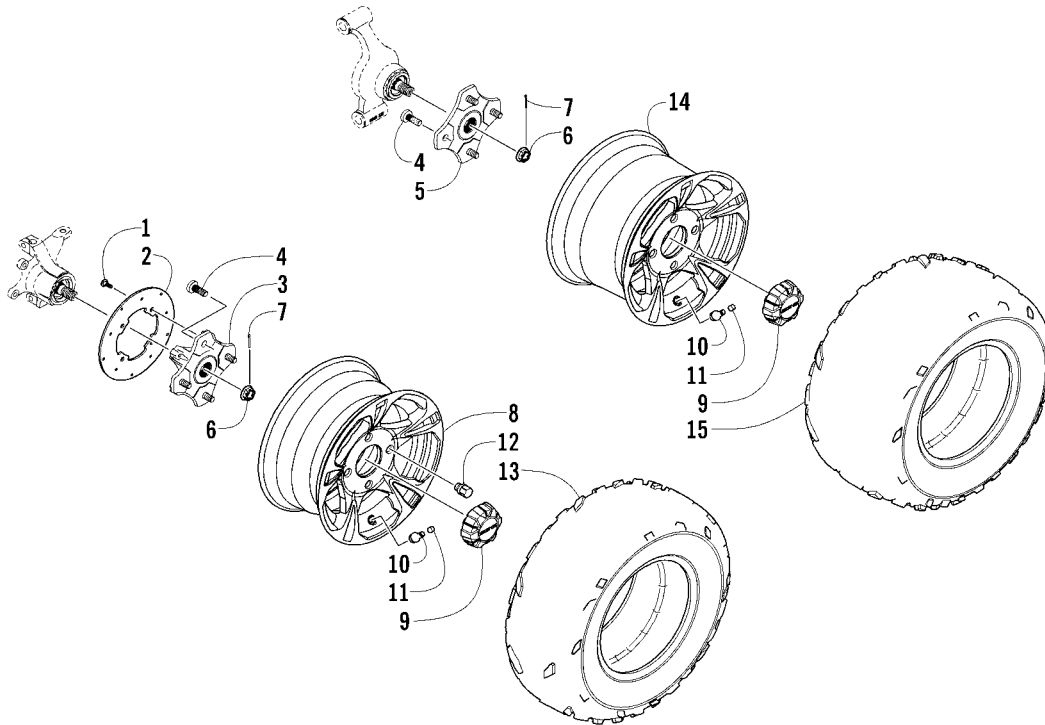
Ref	Part No.	New	Qty	Description	Ref	Part No.	New	Qty	Description
1	0404-274		2	Shock Absorber (inc. 2-4)	15	8409-075		8	Screw, Cap
2	0403-182		2	● Bushing	16	0504-718		1	A-Arm, Rear - Lower Right - Black (inc. 13-14)
3	0603-955		4	● Bushing		0504-719		1	A-Arm, Rear - Lower Left - Black (inc. 13-14)
4	1603-219		2	● Sleeve	17	1502-798		2	Axle, Drive (inc. 18-21)
5	1603-889		2	Retainer, Spring	18	1436-419		2	● Repair Kit, Boot (inc. 19)
6	0504-750		2	Spring, Suspension - White (1PUSE/1POSE/1PUSX/1POSX)	19	1441-988		2	● Clip, Retaining
	0504-751		2	Spring, Suspension - Black (1PUSH/1POSH)	20	1402-884		4	● Pin, Detent
7	0404-057		2	Cam, Spring Adjuster	21	1402-890		2	● Clip, Retaining
8	8409-040		1	Screw, Cap - Right	22	0504-548		1	Knuckle, Right - Assembly (inc. 23-26)
	8409-050		1	Screw, Cap - Left		0504-549		1	Knuckle, Left - Assembly (inc. 23-26)
9	0423-744		14	Nut, Lock	23	0423-423		2	● Ring, Retaining
10	0423-087		2	Washer	24	1402-809		2	● Bearing
11	8408-820		2	Screw, Cap	25	0403-213		4	● Axle
12	0504-582		1	A-Arm, Rear - Upper Right - Black (inc. 13-14)	26	0403-206		8	● Bushing
	0504-583		1	A-Arm, Rear - Upper Left - Black (inc. 13-14)	27	8409-000		4	Screw, Cap
13	0403-208		16	● Bushing	28	0423-545		4	Screw, Shoulder
14	0403-214		8	● Axle	29	1406-068		1	Guard, Boot - Rear - Right - Black
						1406-069		1	Guard, Boot - Rear - Left - Black



SWAYBAR ASSEMBLY

0746-656

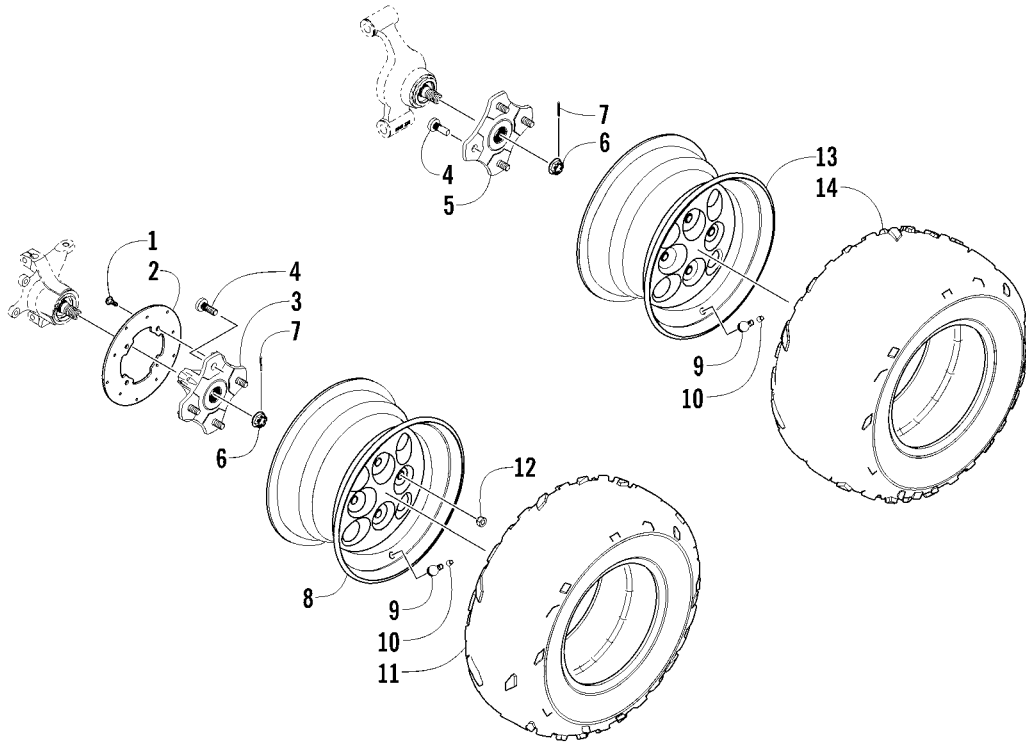
Ref	Part No.	New Qty	Description	Ref	Part No.	New Qty	Description
1	0504-709	1	Swaybar	6	8409-000	2	Screw, Cap
2	8409-016	4	Screw, Cap	7	0423-073	6	Washer
3	0404-135	2	Clamp, Retaining	8	1402-434	8	Bushing
4	0404-282	2	Bushing, Swaybar - Upper	9	8422-002	2	Nut, Lock
5	0404-283	2	Bushing, Swaybar - Lower				



WHEEL AND TIRE ASSEMBLY (1PUSE/1POSE/1PUSX/1POSX)

0746-660

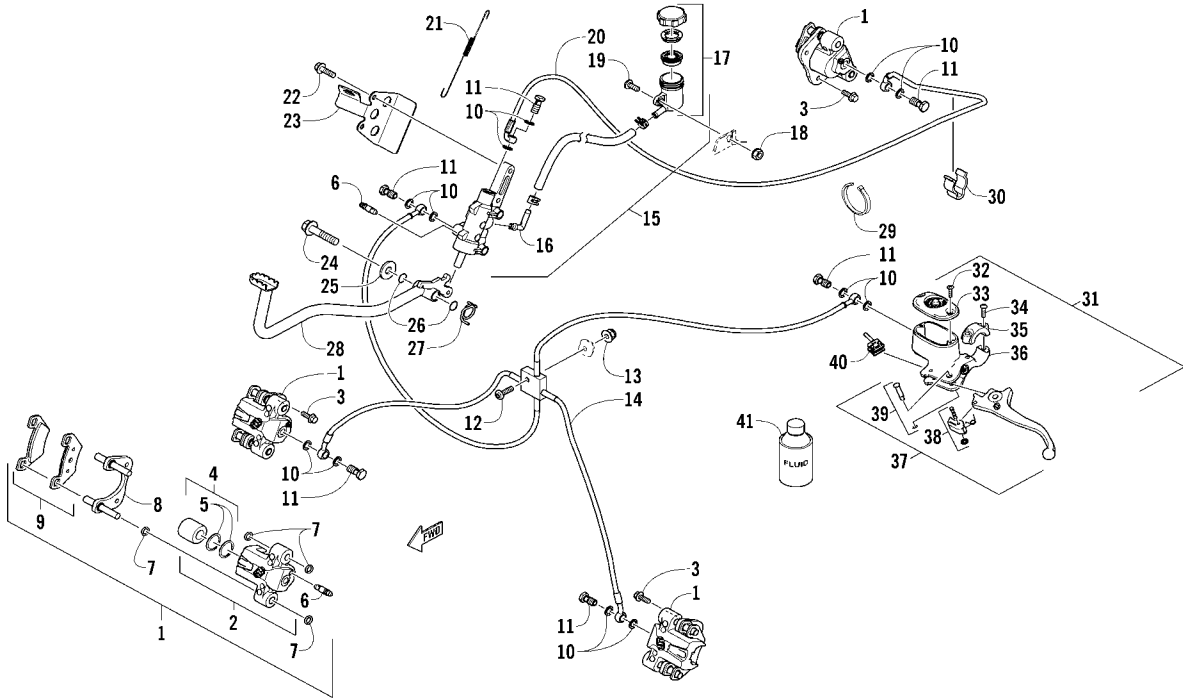
Ref	Part No.	New Qty	Description	Ref	Part No.	New Qty	Description
1	0423-557	12	Screw, Shoulder	8	2402-068	2	Wheel - Front - Aluminum (inc. 9)
2	1436-808	3	Disc, Brake	9	2402-084	4	● Cap, Wheel
3	1502-462	2	Hub, Wheel - Front (inc. 4)	10	0402-064	4	Stem, Valve (inc. 11)
4	0402-974	16	● Stud	11	0402-140	4	● Cap, Valve Stem
5	1502-462	1	Hub, Wheel - Rear - Right (inc. 4)	12	0423-618	16	Nut, Lug - Chrome
	1502-464	1	Hub, Wheel - Rear - Left (inc. 4)	13	2402-096	2	Tire - Front
6	0423-607	4	Nut, Castle	14	2402-069	2	Wheel - Rear - Aluminum (inc. 9)
7	0423-407	4	Pin, Cotter	15	2402-097	2	Tire - Rear



WHEEL AND TIRE ASSEMBLY (1PUSH/1POSH)

0745-929

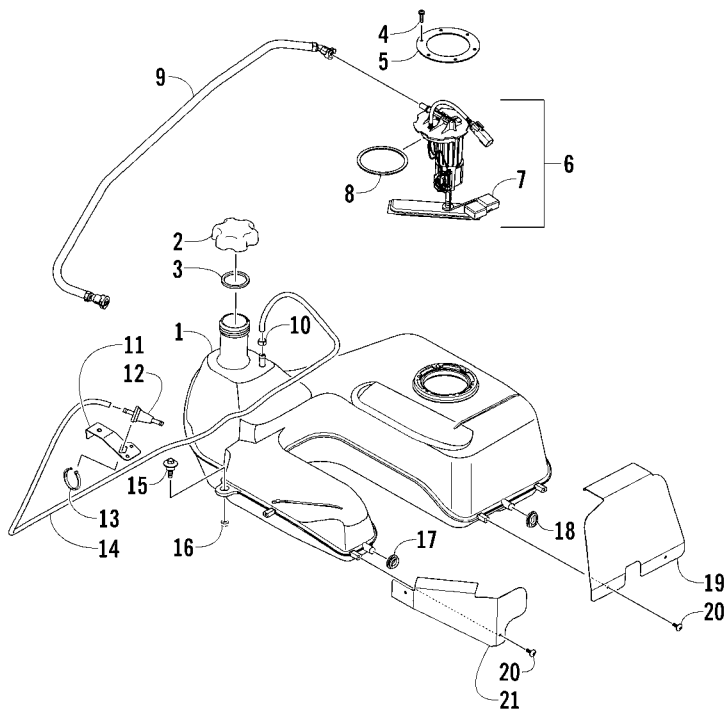
Ref	Part No.	New Qty	Description	Ref	Part No.	New Qty	Description
1	0423-557	12	Screw, Shoulder	8	1402-780	2	Wheel - Front - Black
2	1436-808	3	Disc, Brake	9	0402-064	4	Stem, Valve (inc. 10)
3	1502-462	2	Hub, Wheel - Front (inc. 4)	10	0402-140	4	● Cap, Valve Stem
4	0402-974	16	● Stud	11	2402-096	2	Tire - Front
5	1502-462	1	Hub, Wheel - Rear - Right (inc. 4)	12	0423-408	16	Nut, Lug
	1502-464	1	Hub, Wheel - Rear - Left (inc. 4)	13	1402-781	2	Wheel - Rear - Black
6	0423-607	4	Nut, Castle	14	2402-097	2	Tire - Rear
7	0423-407	4	Pin, Cotter				



HYDRAULIC BRAKE ASSEMBLY

0747-109

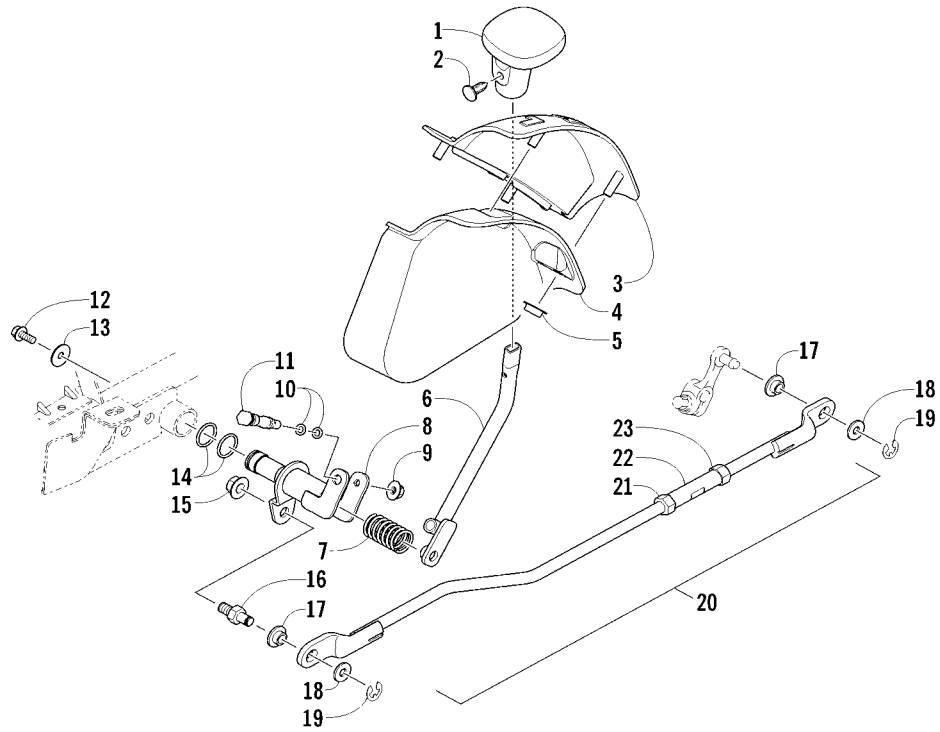
Ref	Part No.	New Qty	Description	Ref	Part No.	New Qty	Description
1	1436-422	1	Caliper, Brake - Right Front (inc. 2-9)	18	0623-038	1	Nut w/Washer
	1436-423	1	Caliper, Brake - Left Front (inc. 2-9)	19	8476-616	1	Screw, Machine
	1436-423	1	Caliper, Brake - Rear (inc. 2-9)	20	1502-593	1	Hose, Brakeline
2	1436-160	1	● Housing, Caliper - Assembly - Right Front (inc. 3-6)	21	0502-785	1	Spring, Brake Switch
	1436-161	1	● Housing, Caliper - Assembly - Left Front (inc. 3-6)	22	8408-625	2	Screw, Cap
	1436-161	1	● Housing, Caliper - Assembly - Rear (inc. 3-6)	23	1502-179	1	Bracket, Switch
3	8408-821	6	●●● Screw, Cap	24	8408-816	1	Screw, Cap
4	0502-606	3	●●● Piston/Seal Set (inc. 5)	25	8050-252	1	Washer
5	0502-607	3	●●●● Seal Set	26	1602-213	2	O-Ring
6	0502-609	4	●● Valve, Bleed	27	0502-807	1	Spring, Brake Lever
7	0502-608	3	● O-Ring, Guide - Set	28	1502-063	1	Lever, Brake
8	0502-605	3	● Bracket Assembly	29	0123-788	AR	Tie, Cable - 8 in.
9	1502-694	3	● Pad, Brake - Set	30	1502-115	2	Clip, Brakeline Hose
10	0423-178	12	Washer, Crush	31	1502-902	1	Brake Assembly (inc. 32-40)
11	0423-413	6	Bolt, Banjo-Fitting	32	0502-566	1	● Screw, Machine - Kit
12	8476-625	1	Screw, Machine	33	0502-868	1	● Cover, Reservoir
13	8427-602	1	Nut, Lock	34	0502-568	1	● Screw, Machine - Kit
14	1502-015	1	Hose, Brakeline - Assembly	35	0502-869	1	● Clamp, Master Cylinder
15	1502-293	1	Brake Assembly (inc. 16-17)	36	0502-704	1	● Master Cylinder Assembly
16	1502-296	1	● Adapter, Hose	37	1502-904	1	● Lever Assembly - Kit (inc. 38-39)
17	1502-155	1	● Reservoir, Brake w/Clamp	38	1502-905	1	●● Lock, Brake Lever - Kit
				39	0502-580	1	●●● Lever Pin - Kit
				40	0502-564	1	● Switch, Brake
				41	5639-848	AR	Fluid, Brake - 12 oz



GAS TANK ASSEMBLY

0747-102

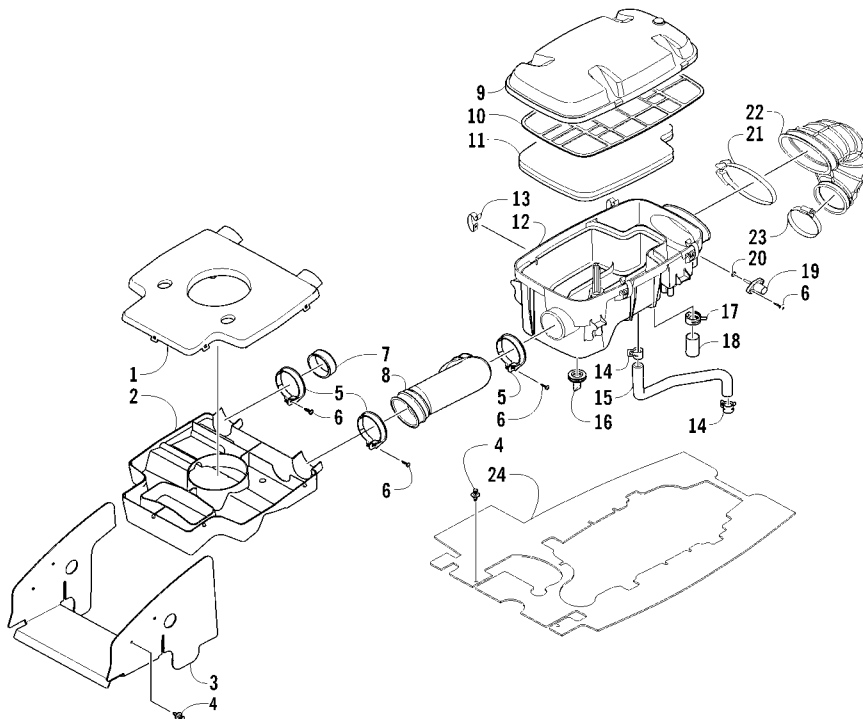
Ref	Part No.	New	Qty	Description	Ref	Part No.	New	Qty	Description
1	0570-307		1	Tank, Gas - Assembly (inc. 2-5)	12	0470-988		1	Filter, In-Line
2	0470-438		1	● Cap, Gas Tank (inc. 3)	13	0123-788	AR		Tie, Cable - 8 in.
3	0109-733		1	●● Gasket, Gas Tank Cap	14	0410-070	AR		Hose, Gasline - 25 ft
4	0423-898		6	● Screw, Self-Tapping	15	0423-732		2	Screw, Shoulder
5	2670-042		1	● Plate, Retaining	16	0623-038		1	Nut w/Washer
6	0570-322		1	Pump, Fuel - Assembly (inc. 7-8)	17	0423-460		1	Grommet
7	2670-235		1	● Float	18	0423-806		1	Grommet
8	0470-838		1	● Seal	19	0470-710		1	Shield, Heat - Gas Tank - Rear
9	0570-317		1	Hose, Gasline - Assembly	20	0623-797		4	Screw, Self-Tapping
10	0423-688	AR		Clamp, Hose	21	0470-709		1	Shield, Heat - Gas Tank - Front
11	0470-980		1	Bracket, Filter Mounting					



SHIFT LEVER ASSEMBLY

0745-254

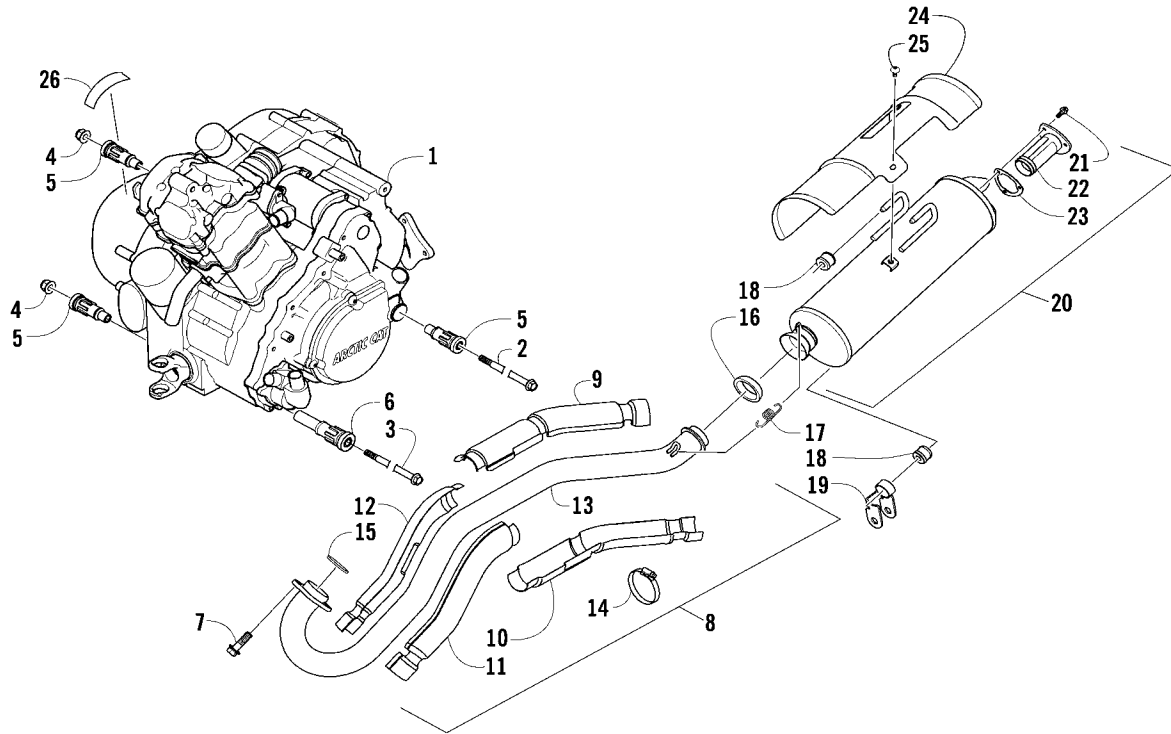
Ref	Part No.	New	Qty	Description	Ref	Part No.	New	Qty	Description
1	0402-843		1	Knob, Shift	13	0423-087		1	Washer
2	0423-345		1	Clip, Retaining	14	0423-299		2	O-Ring
3	2402-139	X	1	Plate, Shift	15	8424-802		1	Nut
4	2406-348		1	Shield, Shift Plate	16	1402-621		1	Pin, Mounting
5	0423-357		4	Nut, Stamped	17	0423-091		2	Bushing
6	1502-977		1	Lever, Shift	18	0623-094		2	Washer
7	2402-117		1	Spring, Shift Lever	19	0423-169		2	E-Ring
8	1502-957		1	Actuator, Shift	20	1502-622		1	Linkage, Shift - Assembly (inc. 21-23)
9	8424-602		1	Nut	21	0123-917		1	● Nut, Hex - Left-Hand Thread
10	0423-182		2	O-Ring	22	1402-619		1	● Coupler
11	0402-675		1	Axle, Pivot	23	0623-294		1	● Nut, Hex - Right-Hand Thread
12	8408-812		1	Screw, Cap					



AIR INTAKE ASSEMBLY

0744-541

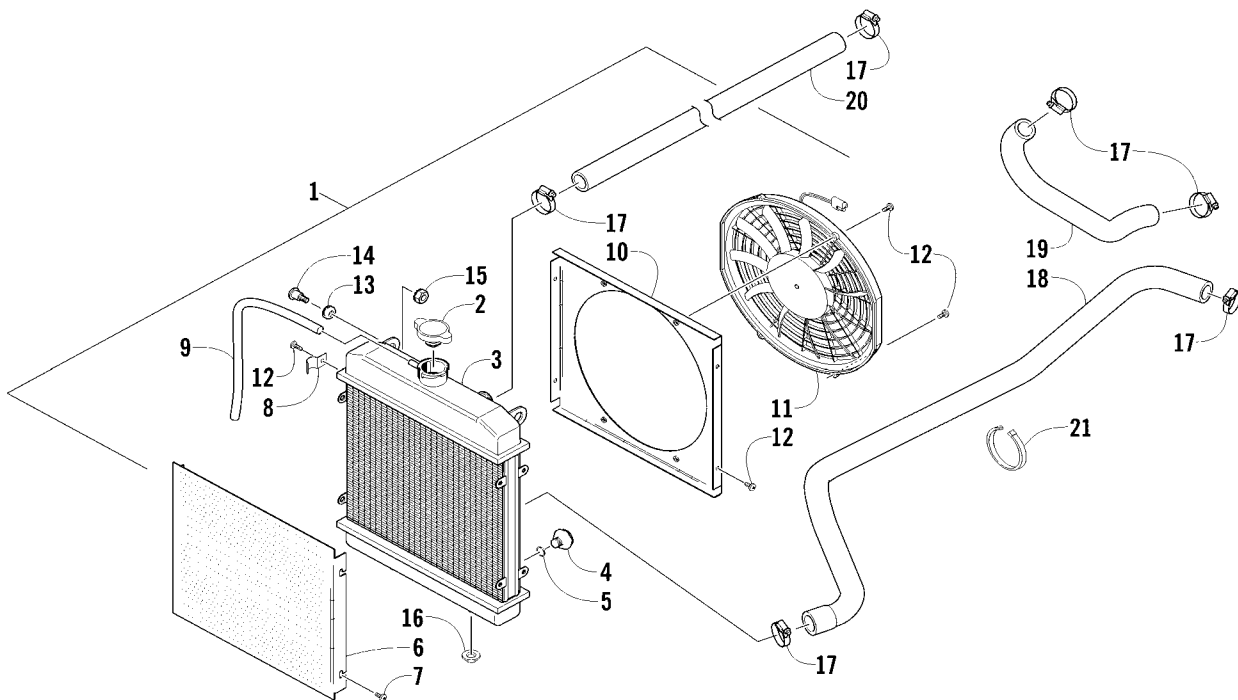
Ref	Part No.	New Qty	Description	Ref	Part No.	New Qty	Description
1	0413-091	1	Diverter, Air - Top	13	0423-455	4	Clip, Spring
2	0413-093	1	Diverter, Air - Bottom	14	1623-281	2	Clamp, Hose
3	2406-013	1	Shroud, Splash	15	0410-172	1	Hose, Vent
4	0623-362	4	Rivet, Reinstallable	16	0470-442	1	Valve, Drain
5	0423-551	3	Clamp	17	1623-287	1	Clamp
6	0423-342	5	Screw, Self-Tapping	18	0423-766	1	Cap, Drain
7	0413-096	1	Cap, Air Intake - Diverter	19	0430-055	1	Sensor, Air Temperature (inc. 20)
8	0470-529	1	Duct, Air Intake - Engine	20	5507-224	1	● O-Ring
9	0470-877	1	Cover, Intake	21	0423-554	1	Clamp
10	0470-560	1	Screen, Air Filter	22	0470-511	1	Boot
11	0470-558	1	Filter, Air	23	0423-019	1	Clamp
12	0470-728	1	Housing, Intake	24	2416-150	1	Panel, Shield



ENGINE AND EXHAUST

0743-292

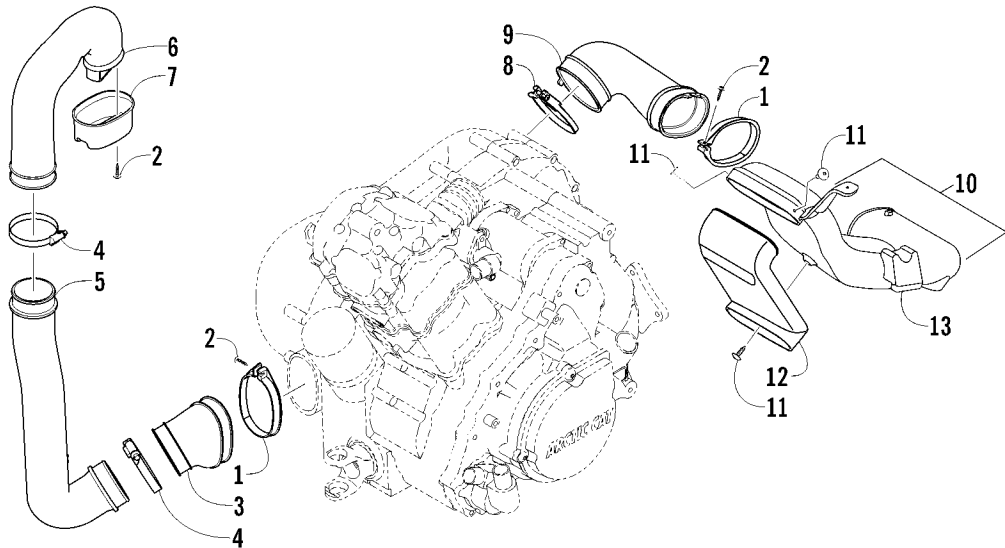
Ref	Part No.	New	Qty	Description	Ref	Part No.	New	Qty	Description
1	0800-151	X	1	Engine, A550Q	14	0423-317		4	● Clamp
2	0423-451		1	Screw, Cap	15	0412-338		1	Gasket, Exhaust
3	0423-405		1	Screw, Cap	16	0412-375		1	Seal, Exhaust
4	8428-002		2	Nut, Lock	17	0612-668		2	Spring, Extension
5	0801-129		3	Mount, Rubber - Engine	18	0412-577		3	Bushing
6	0801-122		1	Mount, Rubber - Engine	19	1506-732		1	Channel, Muffler Support
7	8408-820		2	Screw, Cap	20	0512-355		1	Muffler - Assembly (inc. 21-23)
8	0512-345		1	Pipe, Exhaust - Assembly (inc. 9-14)	21	8408-616		3	● Screw, Cap
9	0412-350		1	● Shield, Exhaust Pipe - Outer - Rear	22	0512-219		1	● Arrestor, Spark - Assembly
10	0412-339		1	● Shield, Exhaust Pipe - Inner - Rear	23	0412-313		1	● Gasket, Spark Arrestor
11	0412-349		1	● Shield, Exhaust Pipe - Inner - Front	24	0412-373		1	Cover, Muffler
12	0412-348		1	● Shield, Exhaust Pipe - Outer - Front	25	8477-610		3	Screw, Machine
13	0512-344		1	● Pipe, Exhaust	26	0411-426		1	Decal, Warning - Clutch Cover



COOLING ASSEMBLY

0745-858

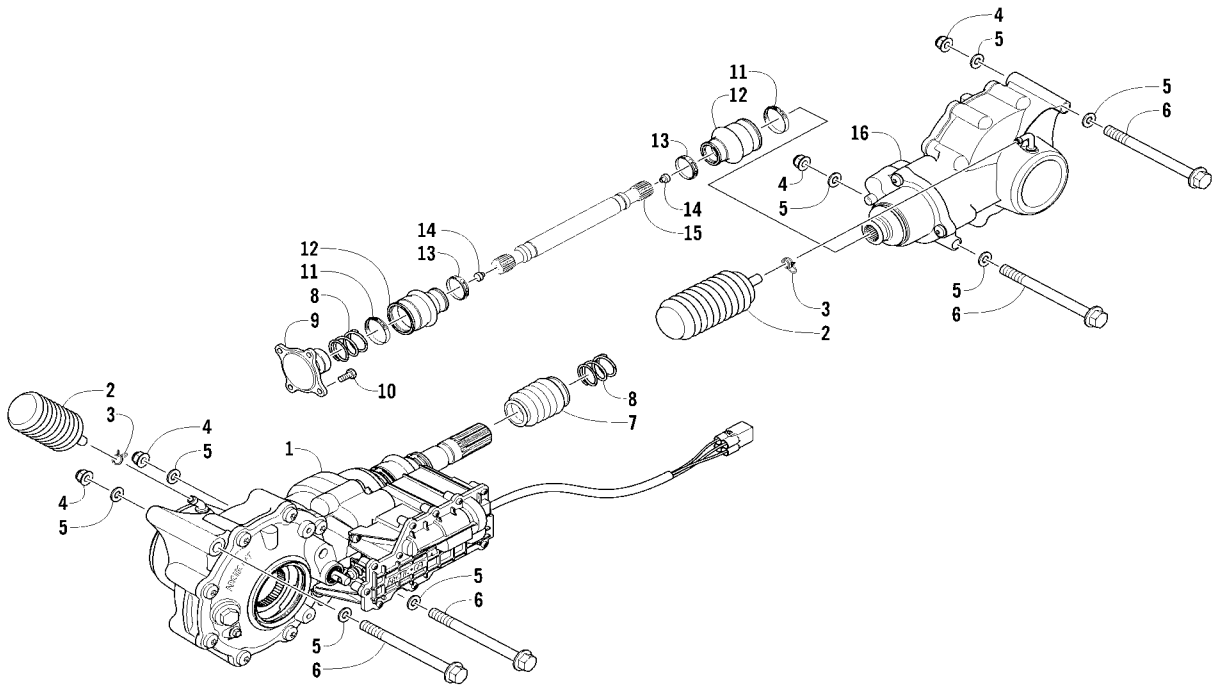
Ref	Part No.	New Qty	Description	Ref	Part No.	New Qty	Description
1	0413-256	1	Radiator Assembly (inc. 2-13)	11	0413-123	1	● Fan, Cooling
2	0413-255	1	● Cap	12	0623-378	8	● Screw, Self-Tapping
3	0413-205	1	● Radiator	13	0423-030	2	● Grommet
4	0413-195	1	● Plug, Drain	14	0423-484	2	Screw, Shoulder
5	1602-213	1	● O-Ring	15	0623-038	2	Nut w/Washer
6	0413-007	1	● Screen	16	0423-028	2	Bushing, Stem
7	8475-512	4	● Screw, Machine	17	0423-496	6	Clamp, Hose
8	0423-351	1	● Clamp, Wire	18	0410-229	1	Hose, Coolant - Lower
9	0610-016	AR	● Hose - 25 ft	19	0410-022	1	Hose, Coolant - Crossover
	0610-015	AR	● Hose - 100 ft	20	0410-002	1	Hose, Coolant - Upper
10	0413-203	1	● Shroud, Fan	21	0123-903	AR	Tie, Cable - 11.5 in.



CASE/BELT COOLING ASSEMBLY

0744-433

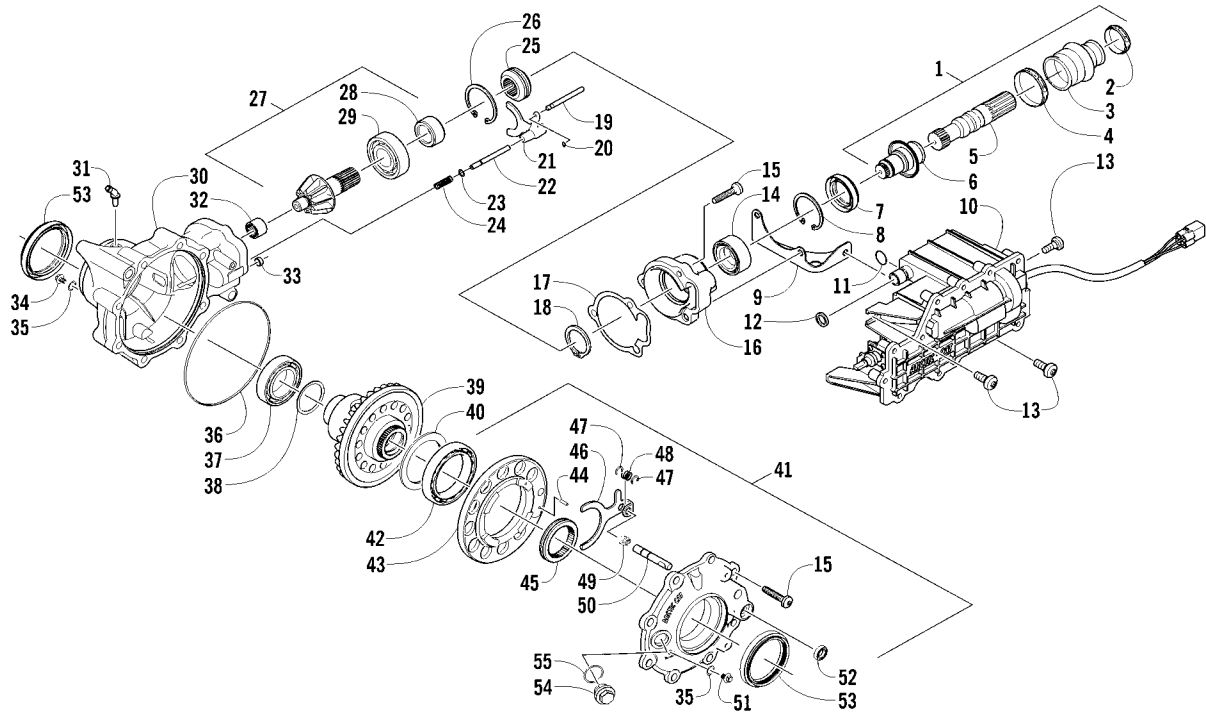
Ref	Part No.	New Qty	Description	Ref	Part No.	New Qty	Description
1	0423-550	2	Clamp, Plastic	8	0423-730	1	Clamp
2	0423-342	4	Screw, Self-Tapping	9	0413-206	1	Boot, Duct - Air Out - Rear
3	0413-252	1	Boot, Duct - Air Intake - Front	10	0470-824	1	Duct, Air Out - Rear
4	0423-019	2	Clamp				(inc. three No. 11 and 12-13)
5	0413-250	1	Duct, Air Intake - Front - Lower	11	0623-784	4	● Screw, Self-Tapping
6	0470-750	1	Duct, Air Intake - Front - Upper	12	0470-778	1	● Duct
7	0470-729	1	Cup, Air Intake	13	0470-825	1	● Duct



DRIVE TRAIN ASSEMBLY

0745-861

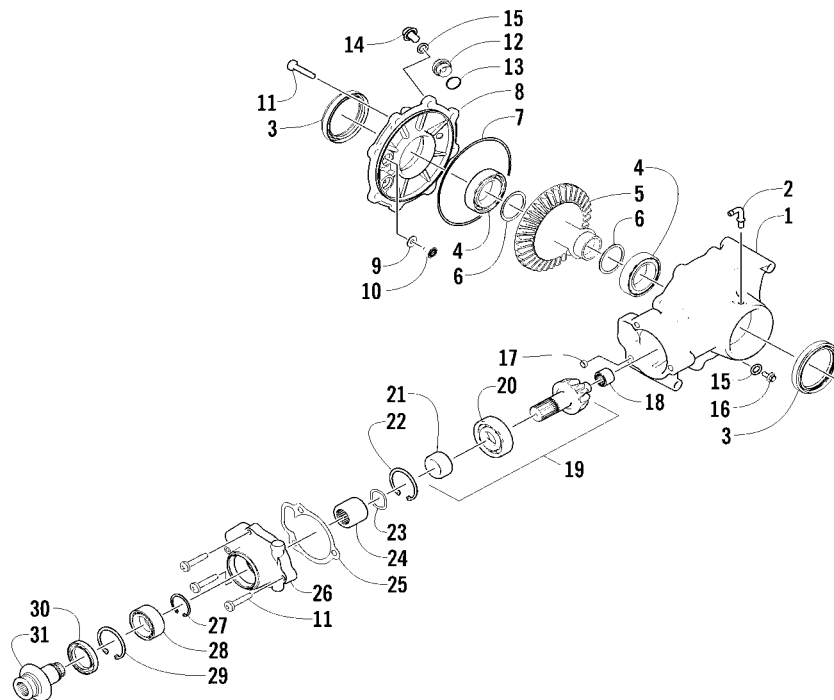
Ref	Part No.	New	Qty	Description	Ref	Part No.	New	Qty	Description
1	2502-089	X	1	Gearcase, Front	9	0402-950		1	Flange, Output
2	1402-620		2	Bladder, Gearcase	10	8408-820		4	Screw, Cap
3	0423-315		2	Clamp, Hose	11	0423-393		2	Clamp
4	8428-002		4	Nut, Lock	12	0402-985		2	Boot
5	0423-426		8	Washer	13	0423-411		2	Clamp
6	0423-404		4	Screw, Cap	14	0673-618		2	Bumper, Propeller Shaft
7	0402-966		1	Boot, Shaft	15	1402-233		1	Shaft, Propeller
8	1402-026		2	Spring	16	2502-090	X	1	Gearcase, Rear



FRONT DRIVE GEARCASE ASSEMBLY

0745-863

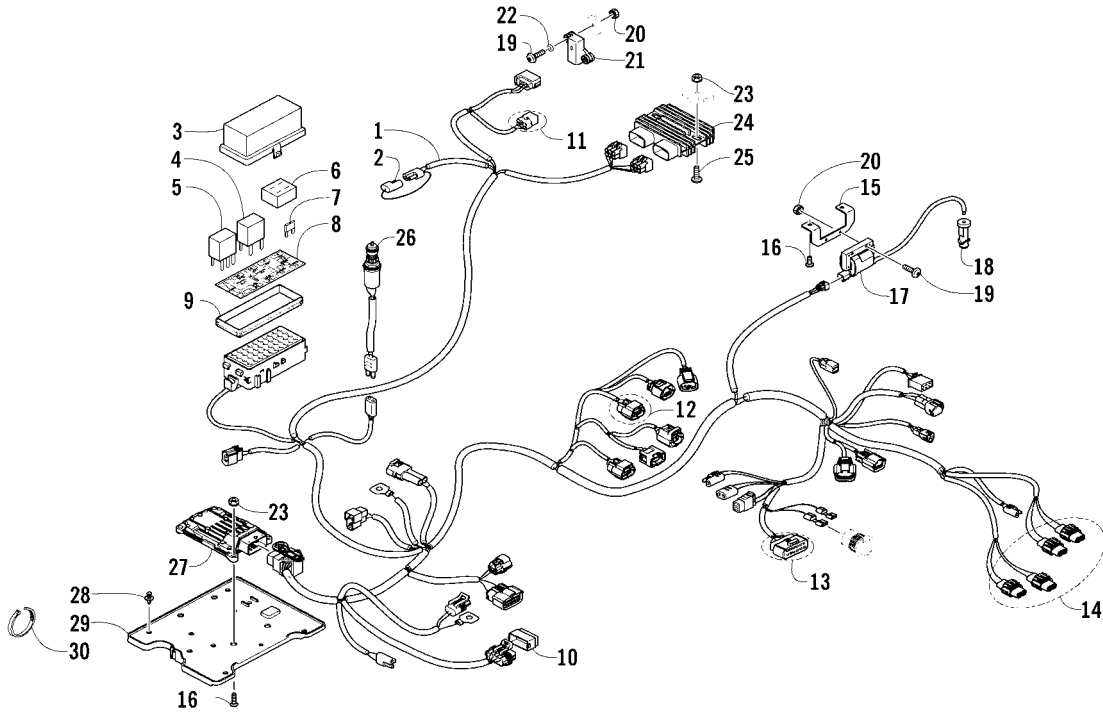
Ref	Part No.	New	Qty	Description	Ref	Part No.	New	Qty	Description
-	2502-089	X	1	Complete Front Drive Gearcase Assembly	32	0402-328		1	Bearing
1	1502-083		1	Shaft, Propeller - Assembly (inc. 2-6)	33	0402-411		1	Pin, Dowel
2	0423-411		1	● Clamp	34	1402-210		1	Plug, Magnetic (inc. one No. 35)
3	0402-985		1	● Boot, Propeller Shaft	35	0423-153		2	● O-Ring
4	0423-393		1	● Clamp	36	0423-149		1	O-Ring
5	1402-045		1	● Shaft, Output	37	0402-393		1	Bearing
6	1502-085		1	● Shaft, Input	38	0402-405		AR	Shim, 41 x 49 x 1.3 mm
7	1402-011		1	Seal		0402-406		AR	Shim, 41 x 49 x 1.4 mm
8	0423-423		1	Ring, Retaining		0402-407		AR	Shim, 41 x 49 x 1.5 mm
9	1502-237		1	Bracket, Actuator		0402-408		AR	Shim, 41 x 49 x 1.6 mm
10	1502-909		1	Actuator (inc. 11)		0402-409		AR	Shim, 41 x 49 x 1.7 mm
11	1402-981		1	● O-Ring	39	1502-860		1	Gear, Ring - 36T
12	0423-892		1	O-Ring	40	1402-074		AR	Shim, 61 x 69 x 1.3 mm
13	0423-396		3	Screw, Self-Tapping		1402-075		AR	Shim, 61 x 69 x 1.4 mm
14	1402-043		1	Bearing		1402-076		AR	Shim, 61 x 69 x 1.5 mm
15	0423-118		11	Screw, Self-Tapping		1402-077		AR	Shim, 61 x 69 x 1.6 mm
16	0502-528		1	Housing, Pinion		1402-078		AR	Shim, 61 x 69 x 1.7 mm
17	0402-947		1	Gasket, Flange	41	2502-104	X	1	Cover, Gearcase (inc. one No. 35, 42-52, and one No. 53)
18	0423-417		1	Ring, Retaining	42	1402-053		1	● Bearing
19	0402-997		1	Shaft, Selector	43	0502-413		1	● Flange, Bearing
20	0423-402		1	Ring, Retaining	44	1402-079		1	● Pin, Parallel
21	0402-998		1	Fork, Selector	45	1402-042		1	● Collar, Sliding
22	0402-417		1	Shaft, Shuttle	46	1402-054		1	● Fork
23	0423-147		1	O-Ring	47	1402-058		2	● Ring, Retaining
24	0402-999		1	Spring, Return	48	1402-057		1	● Spring
25	0402-413		1	Coupler, Drive	49	1402-063		1	● Spring
26	1423-067		1	Ring, Retaining	50	1402-656		1	● Shaft, Lock
27	1502-863		1	Gear, Pinion - Assembly - 10T (inc. 28-29)	51	1402-211		1	● Plug, Oil Level (inc. one No. 35)
28	1402-977		1	● Collar, Retaining	52	1402-056		1	● Seal
29	0402-327		1	● Bearing	53	2402-150	X	2	● Seal
30	1502-856		1	Housing, Gearcase	54	0402-333		1	Plug, Fill (inc. 55)
31	2402-160	X	1	Fitting, Elbow	55	0423-154		1	● O-Ring



REAR DRIVE GEARCASE ASSEMBLY

0745-864

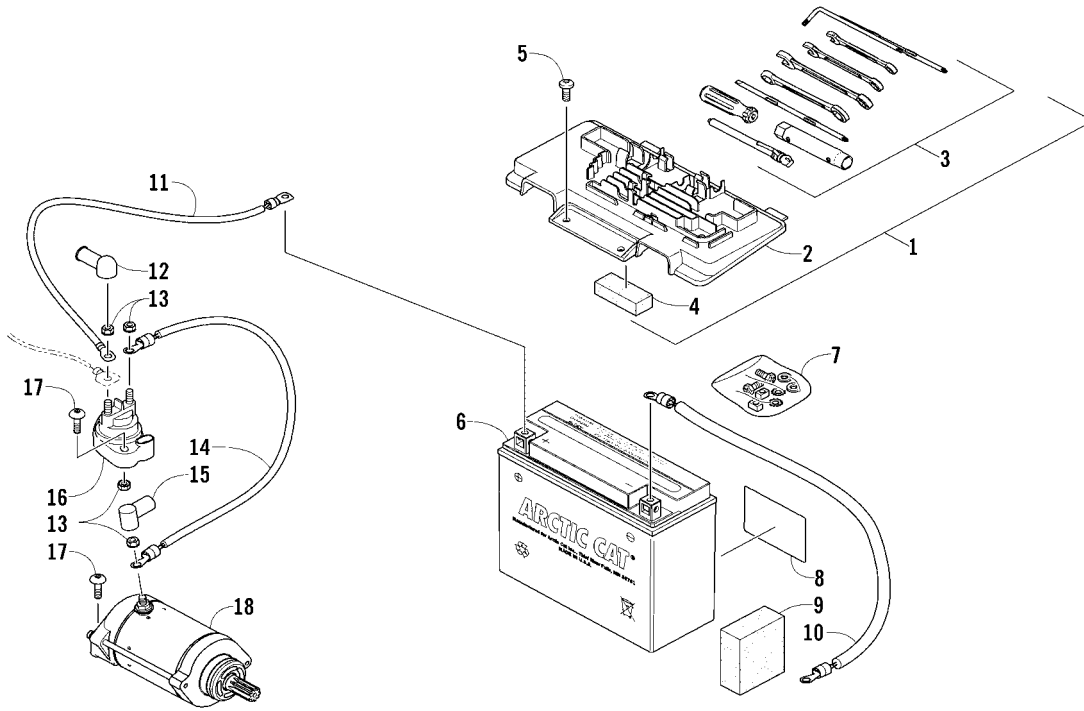
Ref	Part No.	New	Qty	Description	Ref	Part No.	New	Qty	Description
-	2502-090	X	1	Complete Rear Drive Gearcase Assembly	12	0402-333		1	Plug, Magnetic (inc. 13)
1	1502-896		1	Housing, Gearcase	13	0423-154		1	● O-Ring
2	2402-162	X	1	Fitting, Elbow	14	1402-211		1	Plug, Oil Level (inc. one No. 15)
3	2402-150	X	2	Seal	15	0423-153		2	● O-Ring
4	0402-393		2	Bearing	16	1402-210		1	Plug, Fill (inc. one No. 15)
5	1402-032		1	Gear, Ring - 36T	17	0402-411		1	Pin, Dowel
6	0402-405	AR		Shim, 41 x 49 x 1.3 mm	18	0402-328		1	Bearing
	0402-406	AR		Shim, 41 x 49 x 1.4 mm	19	1502-863		1	Gear, Pinion - Assembly - 10T (inc. 20-21)
	0402-407	AR		Shim, 41 x 49 x 1.5 mm	20	0402-327		1	● Bearing
	0402-408	AR		Shim, 41 x 49 x 1.6 mm	21	1402-977		1	● Collar, Retaining
	0402-409	AR		Shim, 41 x 49 x 1.7 mm	22	1423-067		1	Ring, Retaining
7	0423-149		1	O-Ring	23	0402-982		1	Washer, Wave
8	1502-897		1	Cover, Gearcase	24	0402-981		1	Collar, Shaft
9	0402-429	AR		Shim, 6.3 x 18 x 1.3 mm	25	0402-947		1	Gasket, Flange
	0402-430	AR		Shim, 6.3 x 18 x 1.4 mm	26	0502-529		1	Housing, Pinion
	0402-431	AR		Shim, 6.3 x 18 x 1.5 mm	27	0423-417		1	Ring, Retaining
	0402-432	AR		Shim, 6.3 x 18 x 1.6 mm	28	1402-043		1	Bearing
	0402-433	AR		Shim, 6.3 x 18 x 1.7 mm	29	0423-423		1	Ring, Retaining
10	0402-326		1	Button, Thrust	30	1402-011		1	Seal
11	0423-118		11	Screw, Self-Tapping	31	1502-085		1	Shaft, Input



WIRING HARNESS ASSEMBLY

0747-521

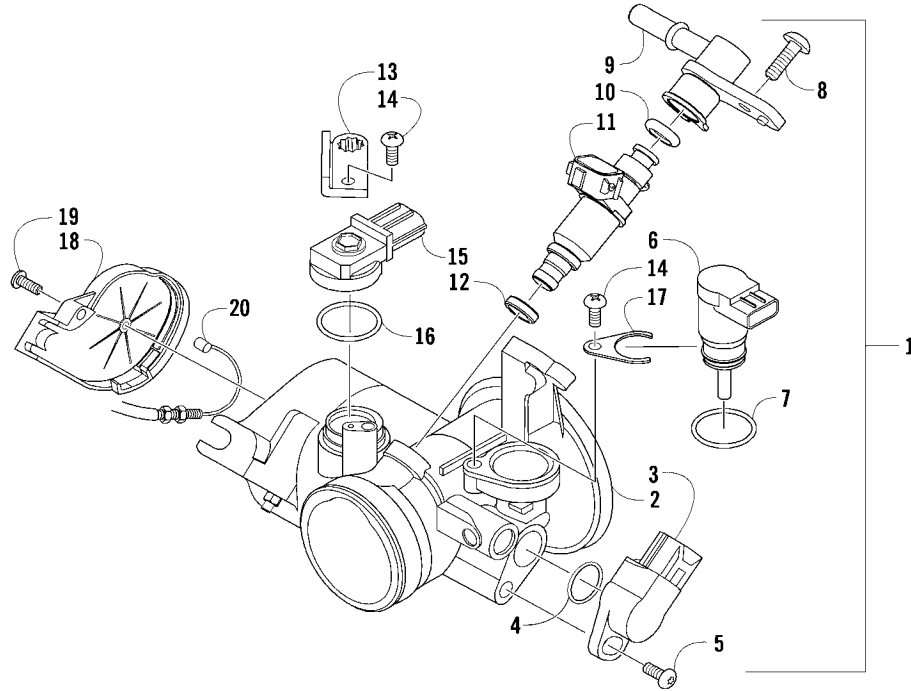
Ref	Part No.	New	Qty	Description	Ref	Part No.	New	Qty	Description
1	0486-502	X	1	Harness, Main (inc. 2-10)	15	4406-029		1	Bracket, Mounting - Coil
2	0486-164		1	● Tether, Accessory Connector	16	8476-620		6	Screw, Machine
3	0430-085		1	● Cover, Fuse Block	17	0824-071		1	Coil, Ignition (inc. 18)
4	0430-045		3	● Relay (4-Pin) - 20 Amp	18	0824-049		1	● Cap, Spark Plug
5	0430-033		1	● Relay (5-Pin) - 30 Amp	19	8468-425		4	Screw, Machine
6	0430-037		1	● Holder, Fuse	20	0423-493		4	Nut w/Washer
7	0430-032		7	● Fuse - 10 Amp	21	0409-064		1	Sensor, Tilt
	0430-031		3	● Fuse - 15 Amp	22	0123-802		2	Washer
	0430-030		4	● Fuse - 30 Amp	23	0623-038		6	Nut w/Washer
8	3411-968	X	1	● Decal, Fuse Block	24	0824-078		1	Regulator, Voltage
9	0430-086		1	● Seal	25	8476-625		2	Screw, Machine
10	0430-103		1	● Cover, Diagnostics Connector	26	0409-089		1	Switch, Brake - Assembly
11	1436-416		1	Repair Kit, Connector - Tilt Sensor	27	0530-114	X	1	ECM
12	1436-417		1	Repair Kit, Connector - Idle Speed Control	28	0623-362		3	Rivet, Reinstallable
13	1436-818	X	1	Repair Kit, Connector - LCD Gauge - (Can)	29	2416-181		1	Tray, Electrical
14	1436-290	AR		Repair Kit, Connector - Headlight	30	0123-788		AR	Tie, Cable - 8 in.
						0123-903		AR	Tie, Cable - 11.5 in.



BATTERY AND STARTER ASSEMBLY

0746-852

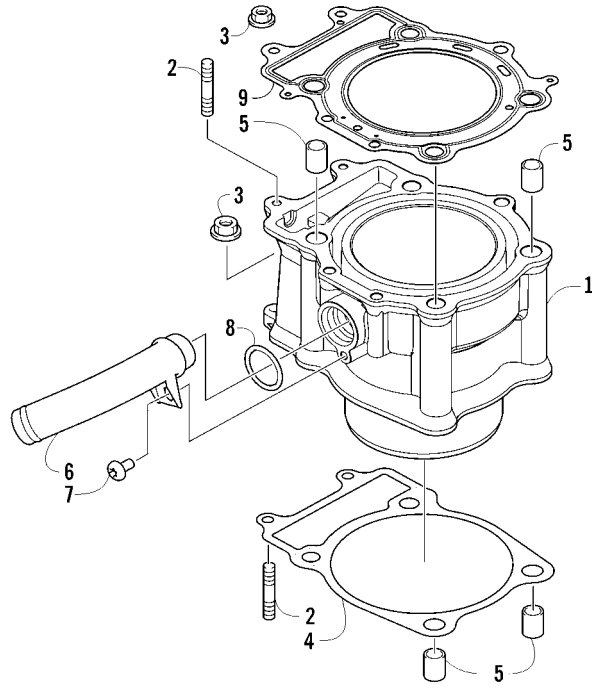
Ref	Part No.	New Qty	Description	Ref	Part No.	New Qty	Description
1	5993-040	1	Battery Cover/Tool Tray Assembly (inc. 2-4)	10	0445-079	1	Cable, Battery/Ground
2	4406-136	1	● Cover, Battery	11	0445-062	1	Cable, Battery/Solenoid
3	0444-122	1	● Kit, Tool	12	0645-327	1	Boot, Terminal
4	0417-016	1	● Pad, Battery	13	0623-038	5	Nut w/Washer
5	8476-620	2	Screw, Machine	14	0445-064	1	Cable, Solenoid/Starter (inc. 15)
6	0645-480	1	Battery Assembly (inc. 7-8)	15	0645-019	1	● Boot, Terminal
7	0445-082	1	● Kit, Hardware	16	0445-058	1	Solenoid
8	0645-430	1	● Decal, Warning	17	8476-625	4	Screw, Machine
9	0417-012	1	Foam, Battery	18	0825-024	X 1	Motor, Starter - Assembly



THROTTLE BODY ASSEMBLY

0742-670

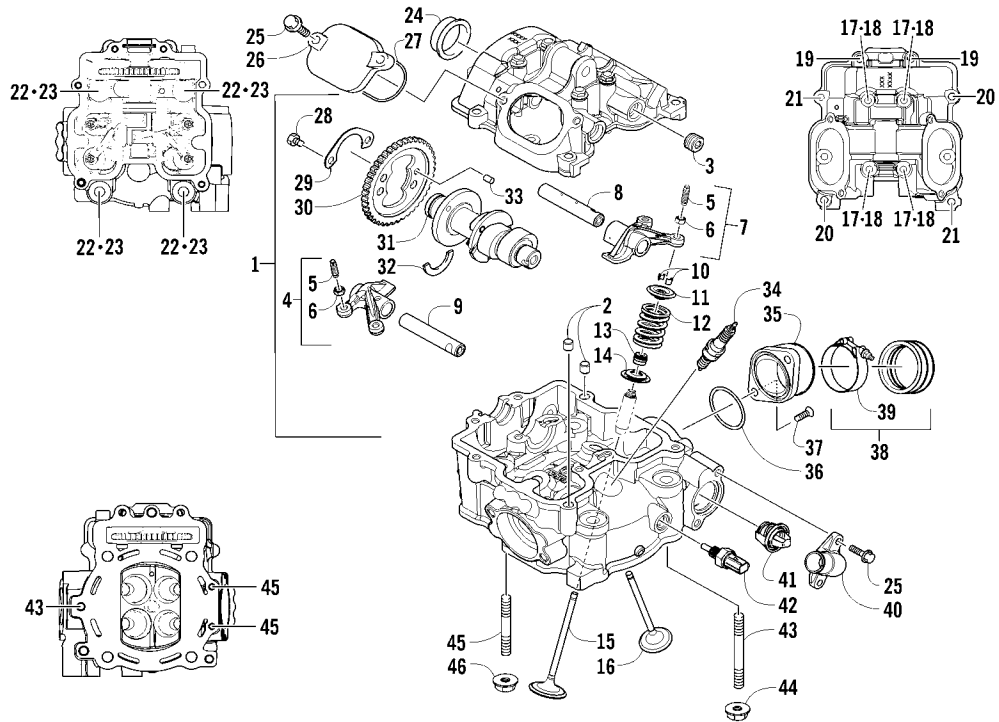
Ref	Part No.	New Qty	Description	Ref	Part No.	New Qty	Description
1	0470-753	1	Throttle - Assembly (inc. 2-19)	11	0470-762	1	● Injector, Fuel
2	-	1	● Throttle Body - Not a Service Part	12	0470-768	1	● Seal
3	0430-072	1	● Sensor, Throttle Position	13	5507-227	1	● Bracket, MAP Sensor
4	5507-234	1	● O-Ring	14	5507-117	2	● Screw, Machine
5	5507-231	1	● Screw, Machine	15	0430-073	1	● Sensor, MAP
6	0430-074	1	● Valve, ISC	16	5507-232	1	● O-Ring
7	5507-233	1	● O-Ring	17	5507-229	1	● Plate, ISC Valve
8	5507-238	1	● Screw, Machine	18	5507-223	1	● Cover
9	0470-687	1	● Rail, Fuel	19	5507-037	1	● Screw, Machine
10	0470-767	1	● O-Ring	20	0487-057	1	Cable, Throttle



CYLINDER ASSEMBLY

0744-071

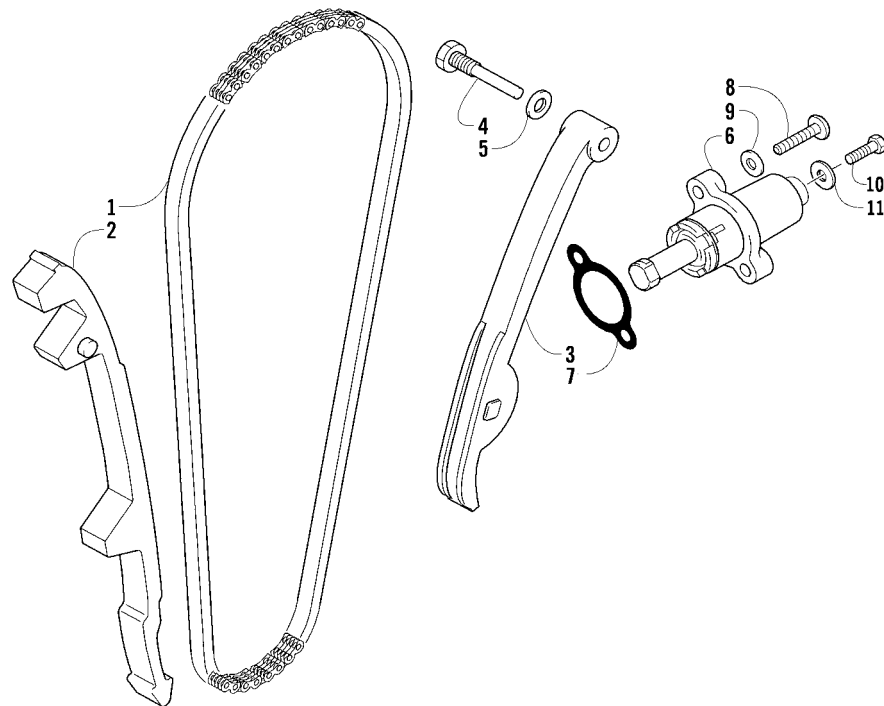
Ref	Part No.	New	Qty	Description	Ref	Part No.	New	Qty	Description
1	0804-051		1	Cylinder	6	0804-047		1	Union, Coolant Hose
2	0827-002		4	Bolt, Stud	7	8468-612		1	Screw, Machine
3	8424-604		4	Nut	8	0830-007		1	O-Ring
4	0830-084		1	Gasket, Base	9	0830-097		1	Gasket, Cylinder Head
5	0829-002		4	Pin, Dowel					



CYLINDER HEAD AND CAMSHAFT/VALVE ASSEMBLY

0745-901

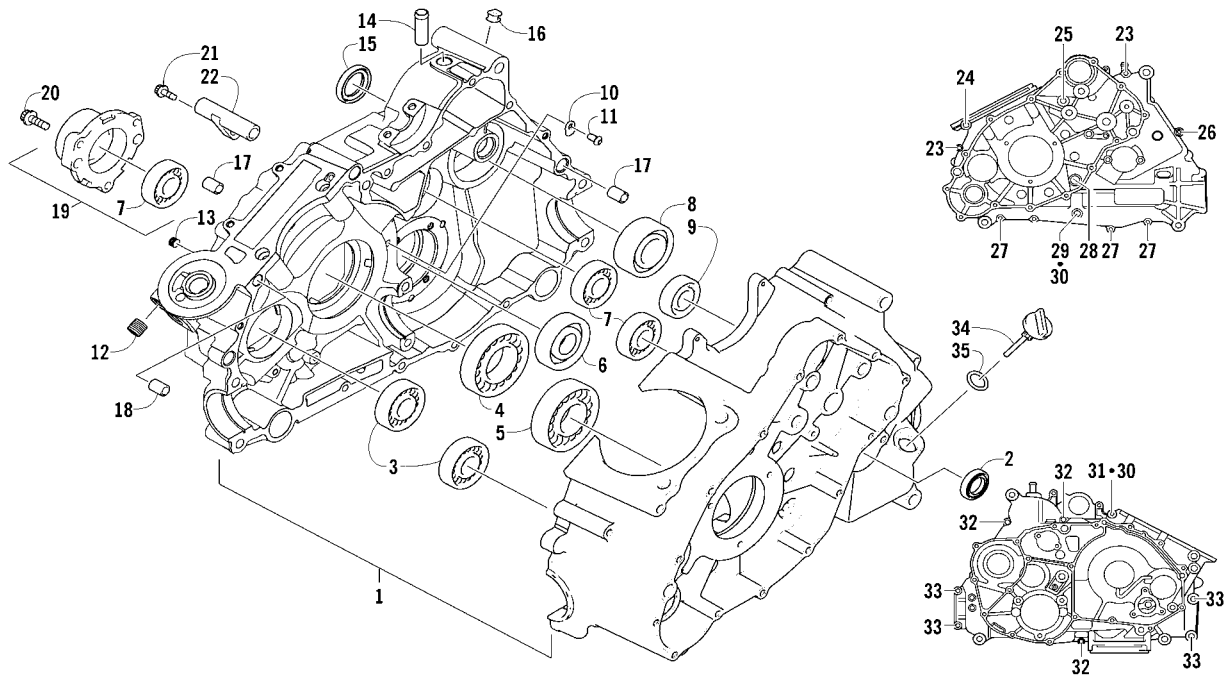
Ref	Part No.	New	Qty	Description	Ref	Part No.	New	Qty	Description
1	0808-227	X	1	Head, Cylinder - Assembly (inc. 2-17)	23	0830-147		4	Washer
2	0829-062		2	● Pin, Dowel	24	0808-077		1	Plug, Cylinder Head
3	0831-092		2	● Plug, Shaft	25	0826-007		6	Screw, Cap
4	0809-319	X	1	● Arm, Valve Rocker - Exhaust (inc. two No. 5-6)	26	0808-003		2	Cap, Inspection
5	0809-240		4	●●● Screw, Adjuster	27	0830-004		2	O-Ring
6	0827-059		4	●●● Nut	28	0826-034		2	Screw, Cap
7	0809-318	X	1	● Arm, Valve Rocker - Intake (inc. two No. 5-6)	29	0828-004		1	Plate, Retainer
8	0809-241		1	● Shaft, Rocker Arm - Intake	30	0809-212		1	Sprocket
9	0809-242		1	● Shaft, Rocker Arm - Exhaust	31	0809-245		1	Camshaft
10	0809-233		8	● Cotter, Valve	32	0809-003		1	C-Ring
11	0809-232		4	● Retainer, Spring	33	0829-049		1	Pin, Dowel
12	0809-231		4	● Spring, Valve	34	0217-799		1	Spark Plug - CPR8E
13	0830-186		4	● Seal, Oil	35	0470-668		1	Flange, Intake Manifold
14	0809-230		4	● Seat, Spring - Valve	36	0830-090		1	O-Ring
15	0809-228		2	● Valve, Intake	37	0826-008		2	Screw, Machine
16	0809-229		2	● Valve, Exhaust	38	0437-069		1	Boot (inc. 39)
17	0826-149		4	● Screw, Cap	39	1423-041		1	● Clamp
18	0830-155		4	Gasket	40	0808-008		1	Cover, Thermostat
19	0826-002		2	Screw, Cap	41	0808-078		1	Thermostat
20	0826-005		2	Screw, Cap	42	0808-124		1	Sensor, Engine Coolant Temperature
21	0826-006		2	Screw, Cap	43	0827-031		1	Bolt, Stud
22	0808-037		4	Screw, Cap	44	8424-804		1	Nut
					45	0827-030		2	Bolt, Stud
					46	8424-604		2	Nut



CAM CHAIN ASSEMBLY

0732-308

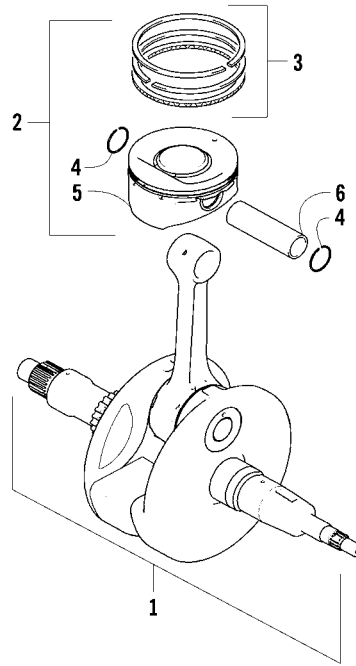
Ref	Part No.	New Qty	Description	Ref	Part No.	New Qty	Description
1	0810-001	1	Chain, Cam	7	0830-018	1	Gasket
2	0810-002	1	Guide, Chain	8	8468-625	2	Screw, Machine
3	0810-003	1	Tensioner, Chain	9	0830-107	2	Gasket
4	0826-036	1	Pivot, Tensioner	10	8400-610	1	Screw, Cap
5	0830-025	1	Washer, Crush	11	0828-129	1	Washer
6	0810-004	1	Adjuster, Tensioner - Assembly				



CRANKCASE ASSEMBLY

0746-854

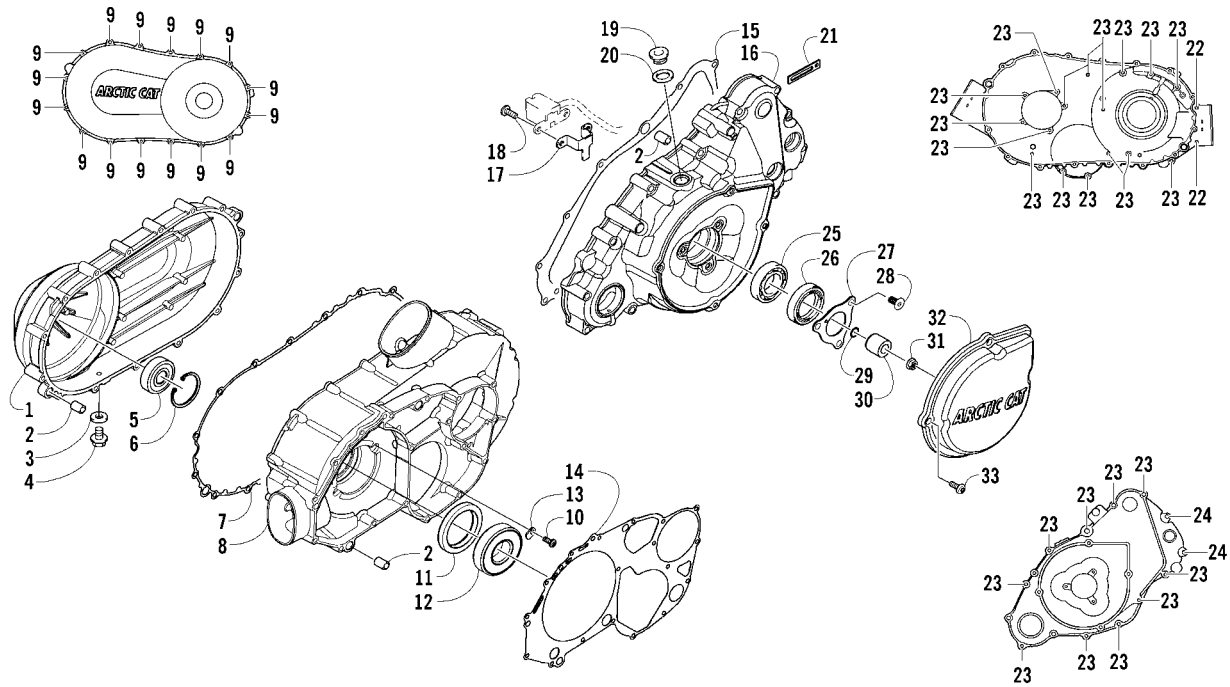
Ref	Part No.	New Qty	Description	Ref	Part No.	New Qty	Description
1	0801-151	1	Crankcase Assembly (inc. 2-15)	19	0801-029	1	Housing, Secondary Shaft (inc. one No. 7)
2	0822-052	1	● Seal, Countershaft	20	0826-105	3	Screw, Cap
3	0832-005	2	● Bearing	21	0826-038	1	Screw, Cap
4	0832-042	1	● Bearing	22	0801-069	1	Pipe, Breather
5	0832-043	1	● Bearing	23	8468-675	2	Screw, Machine
6	0832-077	1	● Bearing	24	0826-019	1	Screw, Cap
7	0832-050	3	● Bearing	25	8468-680	1	Screw, Machine
8	0832-048	1	● Bearing	26	8468-695	1	Screw, Machine
9	0832-049	1	● Bearing	27	8468-645	3	Screw, Machine
10	0822-010	4	● Retainer, Bearing	28	0826-017	1	Screw, Cap
11	0826-100	4	● Screw, Machine	29	8412-860	1	Screw, Cap
12	0812-064	2	● Plug	30	0830-008	2	Gasket
13	0801-002	1	● Plug	31	0826-018	1	Screw, Cap
14	0801-028	1	● Pipe, Breather	32	8468-655	3	Screw, Machine
15	0830-035	1	● Seal, Driveshaft	33	8412-850	4	Screw, Cap
16	0830-217	1	Grommet	34	0801-179	1	Stick, Oil Level
17	0829-002	5	Pin, Dowel	35	0830-010	1	O-Ring
18	0829-003	1	Pin, Dowel				



CRANKSHAFT AND PISTON ASSEMBLY

0739-932

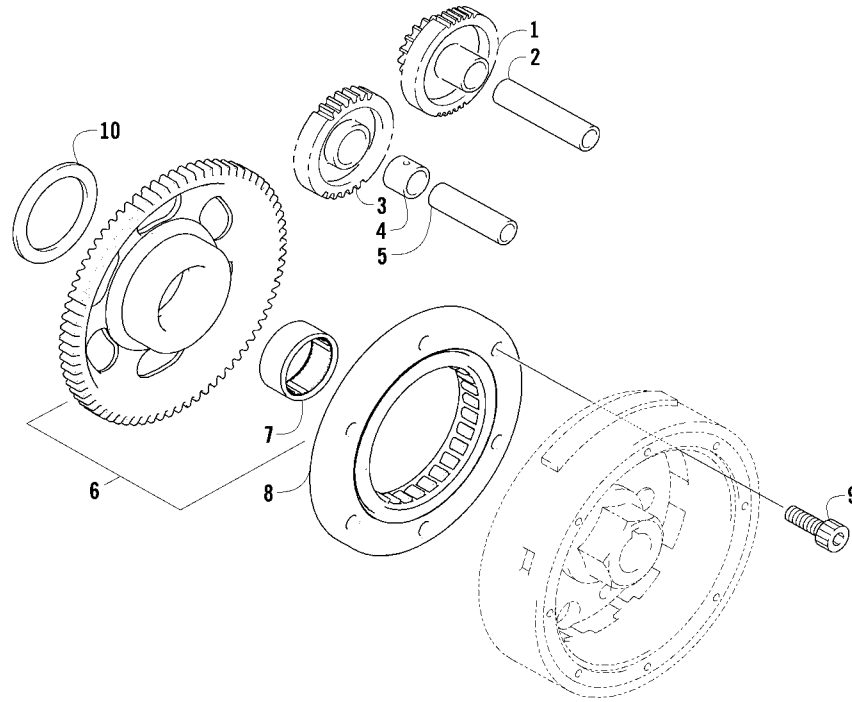
Ref	Part No.	New Qty	Description	Ref	Part No.	New Qty	Description
1	0805-325	1	Crankshaft Assembly	4	0831-001	2	● Circlip, Piston Pin
2	0805-064	1	Piston Set (inc. 3-6)	5	-	1	● Piston - Not a Service Part
3	0805-065	1	● Ring, Piston - Set	6	0805-012	1	● Pin, Piston



CLUTCH/V-BELT/MAGNETO COVER ASSEMBLY

0747-522

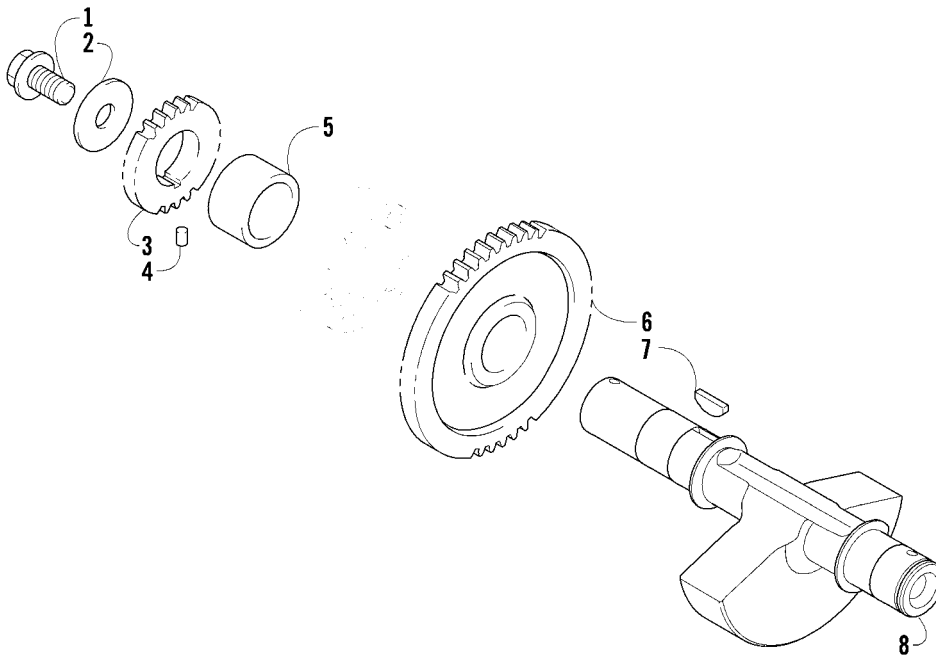
Ref	Part No.	New	Qty	Description	Ref	Part No.	New	Qty	Description
1	0806-139	X	1	Cover, V-Belt	18	8470-510		2	Screw, Machine
2	0829-002		6	Pin, Dowel	19	0826-155		1	Plug
3	0830-013		1	Washer, Crush	20	0830-015		1	Washer, Crush
4	8408-812		1	Screw, Cap	21	1623-984		1	Clamp, Routing
5	0832-060		1	Bearing	22	8468-675		2	Screw, Machine
6	0831-078		1	Ring, Retaining	23	8468-640		26	Screw, Machine
7	0830-220	X	1	Gasket, V-Belt Cover	24	8468-625		2	Screw, Machine
8	0806-134	X	1	Cover, Clutch	25	1602-981		1	Bearing
9	8468-645		15	Screw, Machine	26	0830-158		1	Seal
10	0826-029		2	Screw, Machine	27	0805-008		1	Retainer, Seal
11	0830-188		1	Seal	28	0826-031		3	Screw, Machine
12	0832-009		1	Bearing	29	0830-108		1	O-Ring
13	0822-010		2	Retainer, Bearing	30	0820-061		1	Bushing
14	0830-116		1	Gasket, Clutch Cover	31	0827-008		1	Nut
15	0830-128		1	Gasket, Magneto Cover	32	0820-062		1	Cover, Magneto
16	0806-170	X	1	Cover, Magneto	33	8468-616		4	Screw, Machine
17	0802-071		1	Clamp, Routing					



STARTER CLUTCH ASSEMBLY

0739-940

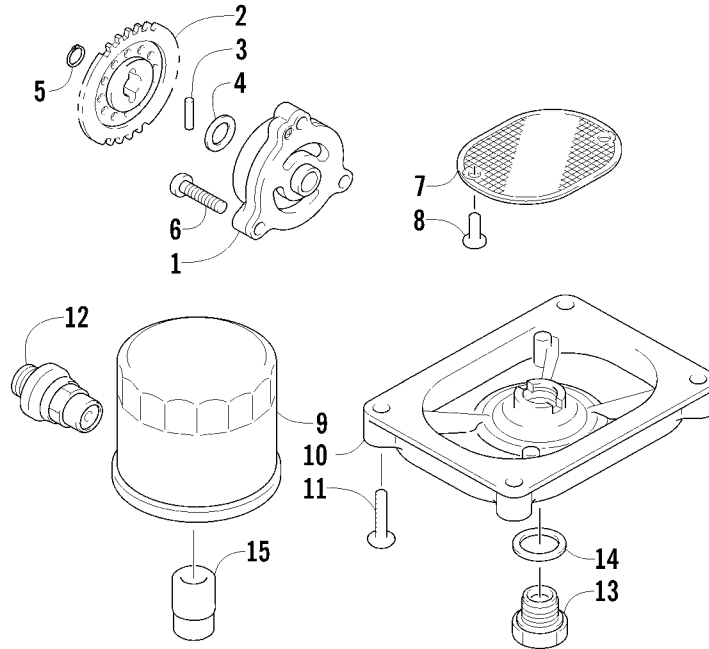
Ref	Part No.	New Qty	Description	Ref	Part No.	New Qty	Description
1	0815-001	1	Gear, Starter Idler - No. 1	6	0815-004	1	Gear, Starter Clutch (inc. 7)
2	0829-031	1	Shaft, Starter Gear	7	0832-079	1	● Bearing
3	0815-002	1	Gear, Starter Idler - No. 2	8	0802-035	1	Clutch, Starter
4	0815-003	1	Spacer, Starter Idler Gear No. 2	9	0826-069	6	Screw, Machine
5	0829-032	1	Shaft, Starter Gear	10	0828-094	1	Washer



CRANK BALANCER ASSEMBLY

0739-941

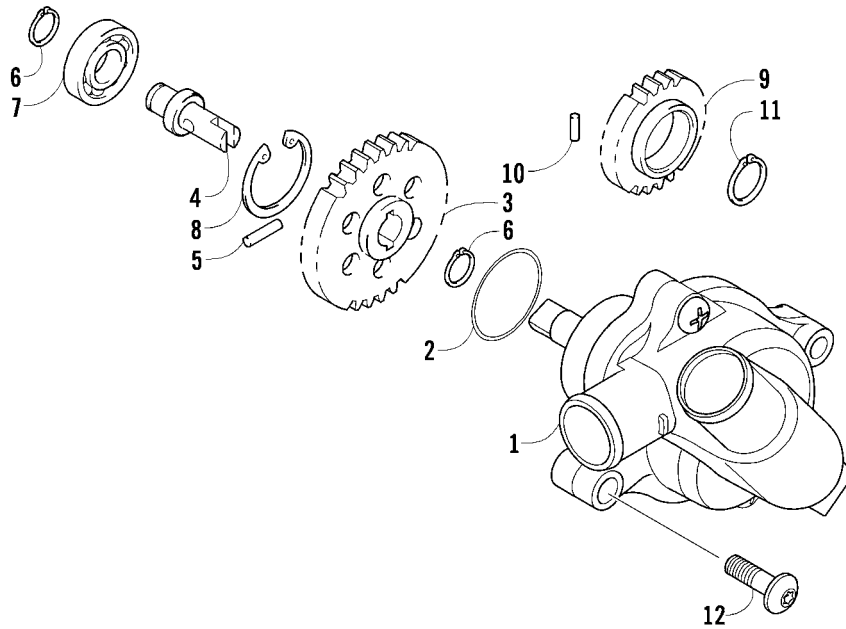
Ref	Part No.	New Qty	Description	Ref	Part No.	New Qty	Description
1	0826-033	1	Screw, Cap	5	0811-004	1	Spacer
2	0828-003	1	Washer	6	0811-034	1	Gear, Driven
3	0811-003	1	Gear, Oil Pump Drive	7	0829-006	1	Key
4	0829-007	1	Pin, Dowel	8	0805-304	1	Balancer, Crank



OIL FILTER/PUMP ASSEMBLY

0744-012

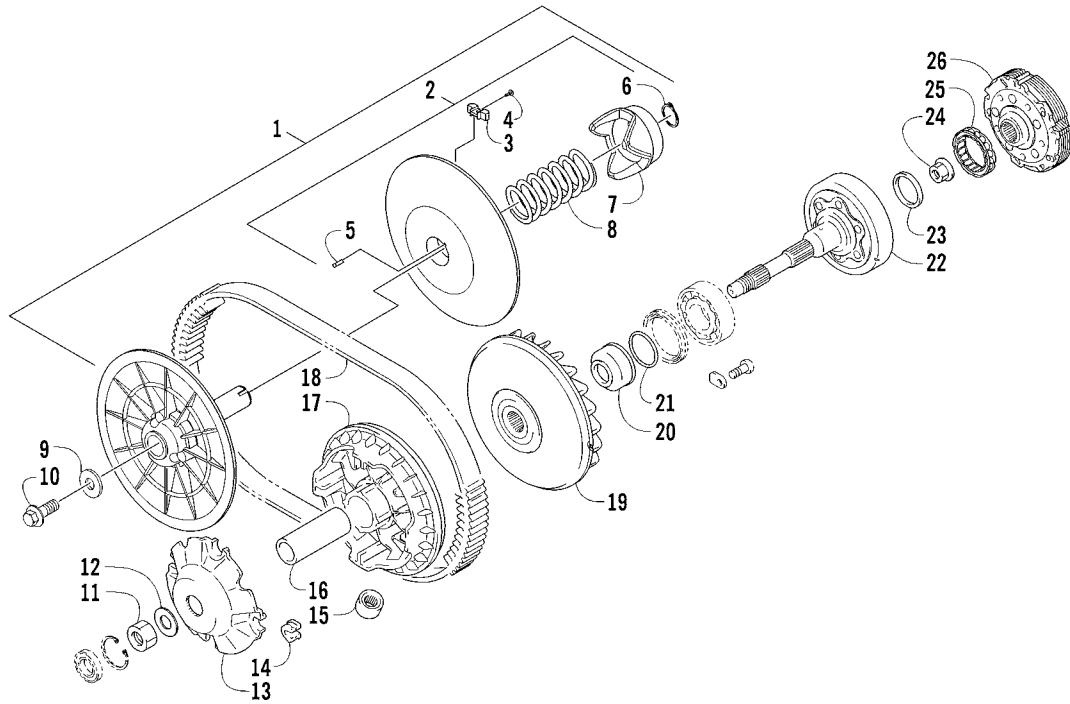
Ref	Part No.	New Qty	Description	Ref	Part No.	New Qty	Description
1	0812-023	1	Pump, Oil	9	0812-034	1	Filter, Oil
2	0812-083	1	Gear, Driven	10	0812-053	1	Cap, Oil Strainer
3	0829-009	1	Pin	11	8468-625	4	Screw, Machine
4	0828-007	1	Washer	12	0812-007	1	Valve, Oil-Relief - Assembly
5	0831-002	1	Ring, Retaining	13	0812-006	1	Plug, Drain
6	0826-039	3	Screw, Machine	14	0830-017	1	Gasket, Drain Plug
7	0812-057	1	Strainer, Oil	15	0812-066	1	Union, Filter
8	0826-040	2	Screw, Machine				



WATER PUMP ASSEMBLY

0739-945

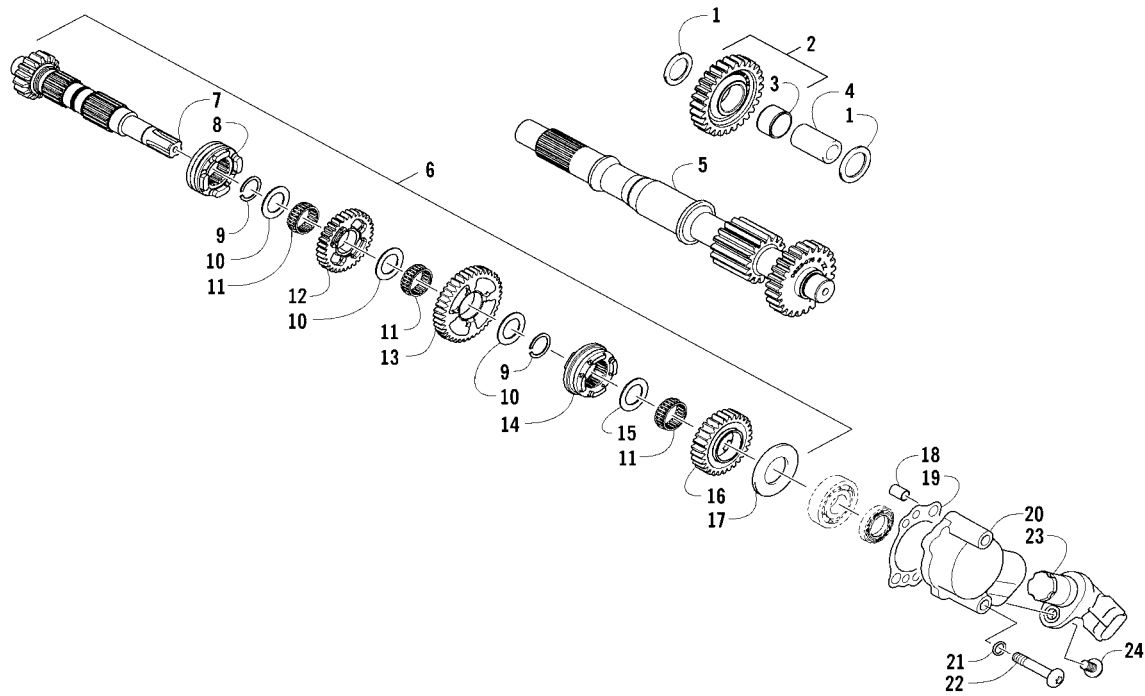
Ref	Part No.	New Qty	Description	Ref	Part No.	New Qty	Description
1	0813-001	1	Pump, Water - Assembly (inc. 2)	7	0832-046	1	Bearing, Shaft
2	0830-029	1	● O-Ring	8	0831-004	1	Ring, Retaining
3	0813-004	1	Gear, Driven	9	0811-003	1	Gear, Water Pump Drive
4	0813-005	1	Shaft, Driven Gear	10	0829-007	1	Pin, Alignment
5	0829-009	1	Pin, Driven Gear	11	0831-005	1	Ring, Retaining
6	0831-002	2	Ring, Retaining	12	8468-665	2	Screw, Machine



TRANSMISSION ASSEMBLY

0747-790

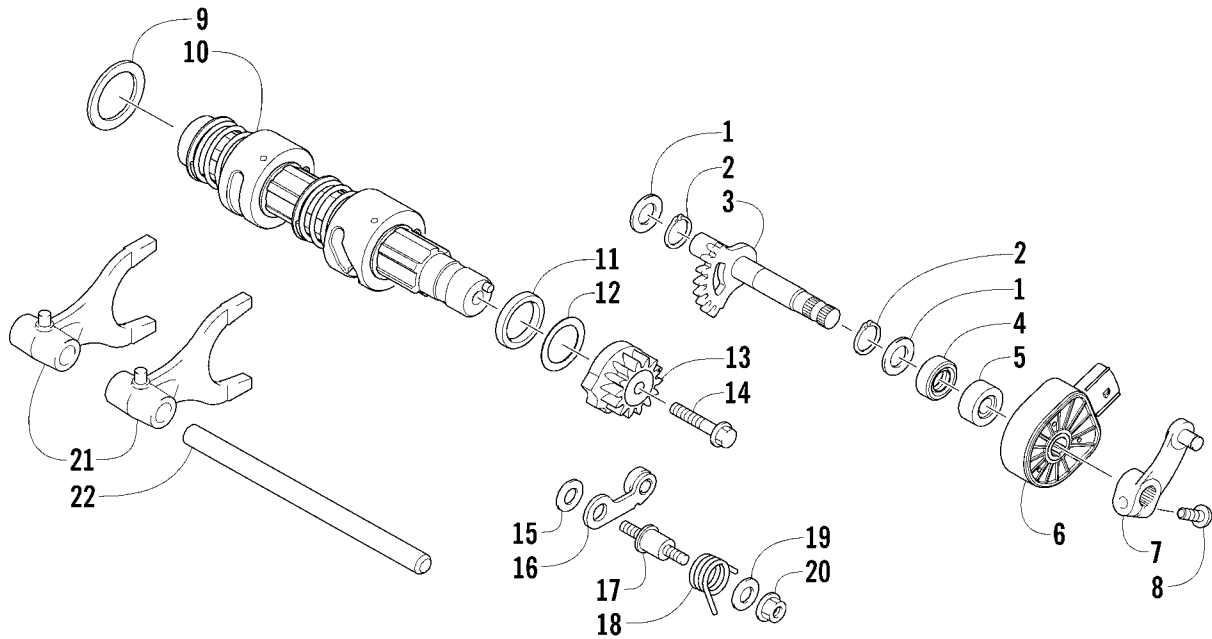
Ref	Part No.	New	Qty	Description	Ref	Part No.	New	Qty	Description
1	0823-432	X	1	Pulley, Driven - Assembly (inc. 2-8)	14	0823-277		4	Damper, Movable Drive Face
2	0823-456	X	1	● Pulley, Driven - Uncalibrated (inc. 3-6)	15	0823-164		8	Roller
3	0823-454	X	3	●● Shoe, Cam	16	0823-271		1	Spacer
4	0823-177		3	●● Screw, Machine	17	0823-273		1	Face, Movable Drive
5	0823-383	X	1	●● Key	18	0823-013		1	Belt, Drive
6	0823-455	X	1	●● Ring, Snap - External	19	0823-272		1	Face, Fixed Drive
7	0823-453	X	1	● Cam	20	0823-015		1	Spacer, Fixed Drive Face
8	0823-377		1	● Spring - Black	21	0470-531		1	O-Ring
9	0623-929		1	Washer	22	0821-002		1	Housing, Clutch - Assembly
10	8413-241		1	Screw, Cap	23	0830-189		1	Seal
11	0827-010		1	Nut	24	0827-011		1	Nut
12	0828-106		1	Washer	25	0823-018		1	Clutch, One-Way
13	0823-276		1	Plate, Movable Drive Face	26	0823-484	X	1	Clutch, Centrifugal - 6 Plate



SECONDARY TRANSMISSION ASSEMBLY

0746-671

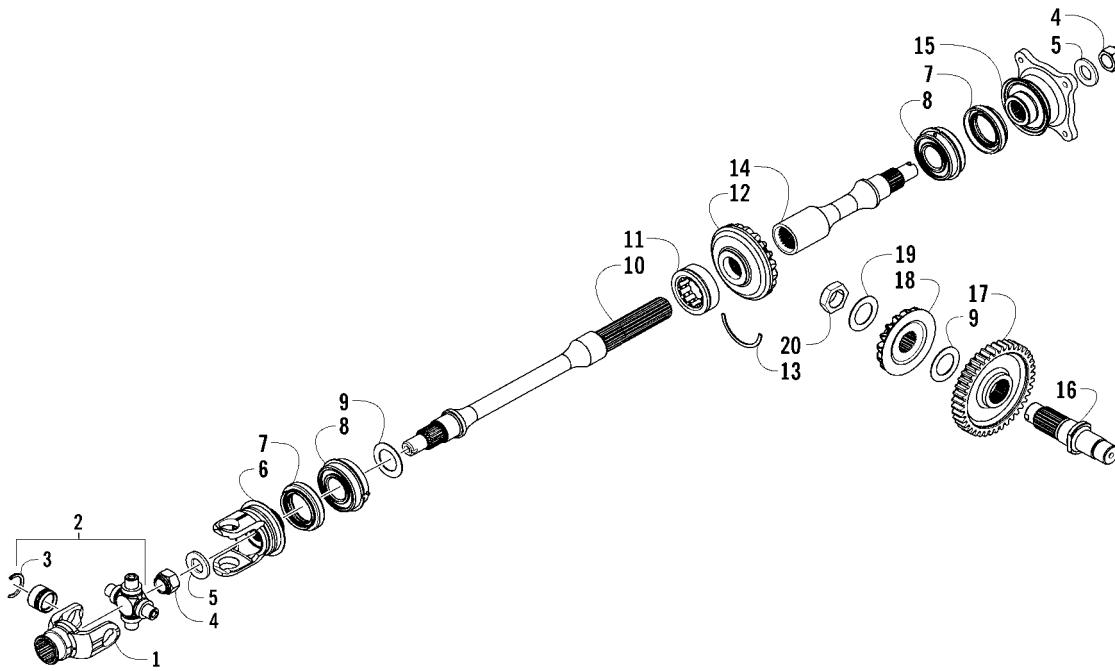
Ref	Part No.	New	Qty	Description	Ref	Part No.	New	Qty	Description
1	0828-101		2	Washer, Thrust	13	0822-137		1	● Gear, Driven - Low
2	0822-092		1	Gear, Reverse Idle (inc. 3)	14	0822-155	X	1	● Gear Select, Sliding
3	-		1	● Bushing - Not Serviced Individually	15	0822-075		1	● Shim
4	0822-080		1	Shaft, Reverse Idle	16	0822-139		1	● Gear, Driven - High
5	0822-076		1	Driveshaft	17	0829-059		1	● Washer, Thrust
6	0822-154	X	1	Countershaft Assembly (inc. 7-17)	18	0829-023		2	Pin, Dowel
7	0822-134		1	● Countershaft	19	0830-129		1	Gasket
8	0822-135		1	● Gear Select, Reverse	20	0822-130		1	Housing, Speedometer Sensor
9	0831-091		2	● Ring, Retaining	21	0830-107		2	Gasket
10	0828-099		3	● Washer, Spline	22	8468-645		2	Screw, Machine
11	0832-061		3	● Bearing	23	0430-091		1	Sensor, Speedometer
12	0822-136		1	● Gear, Reverse Driven	24	8468-620		1	Screw, Machine



GEAR SHIFTING ASSEMBLY

0746-855

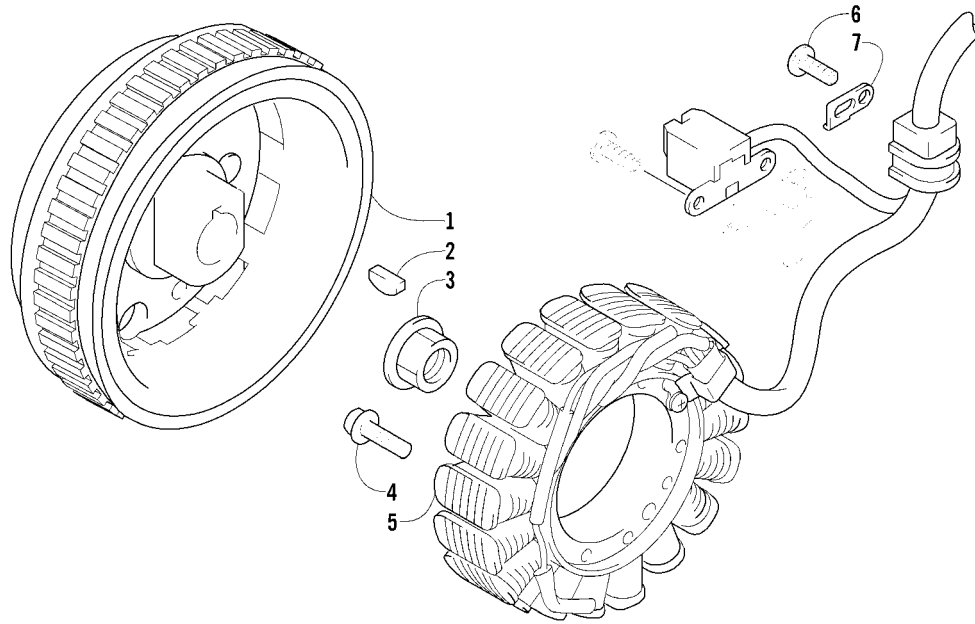
Ref	Part No.	New Qty	Description	Ref	Part No.	New Qty	Description
1	0828-036	2	Washer	12	0828-037	1	Washer
2	0831-010	2	Ring, Retaining	13	0818-089	1	Cam, Gear Shift
3	0818-155	1	Shaft, Sub-Gear Shift	14	0826-006	1	Screw, Cap
4	0830-044	1	Seal, Sub-Gear Shift Shaft	15	0828-038	1	Washer
5	0818-152	1	Spacer	16	0818-002	1	Stopper, Cam
6	0409-125	1	Switch, Gear Position	17	0818-004	1	Support, Cam Stopper
7	0818-014	1	Arm, Select	18	0818-090	1	Spring
8	8468-620	1	Screw, Machine	19	0828-035	1	Washer
9	0828-040	1	Washer	20	8424-602	1	Nut
10	0818-140	1	Shaft, Gear Shift - Assembly	21	0818-072	2	Fork, Shift
11	0828-131	1	Spacer	22	0818-006	1	Shaft, Shift Fork



SECONDARY DRIVE ASSEMBLY

0747-788

Ref	Part No.	New Qty	Description	Ref	Part No.	New Qty	Description
1	0819-063	1	Yoke, Propeller Shaft Joint	10	0819-115	1	Shaft, Secondary Driven - Front
2	1402-164	1	Joint, Universal - Set (inc. 3)	11	0832-016	1	Bearing
3	0423-450	4	● Ring, Retaining	12	0822-106	1	Gear, Secondary Driven
4	0827-013	2	Nut	13	0819-011	1	Ring, Driven Bearing
5	0828-020	2	Washer	14	0819-053	1	Shaft, Secondary Driven - Rear
6	0819-061	1	Yoke, Drive Output	15	0819-005	1	Flange, Output Joint
7	0830-043	2	Seal, Oil	16	0822-067	1	Shaft, Output
8	0832-017	2	Bearing	17	0822-009	1	Gear, Driven
9	0828-021	AR	Shim, 25 x 34 x 0.25 mm	18	0822-127	1	Gear, Secondary Drive
	0828-022	AR	Shim, 25 x 34 x 0.30 mm	19	0828-019	1	Washer, Thrust
	0828-023	AR	Shim, 25 x 34 x 0.70 mm	20	0827-012	1	Nut
	0828-024	AR	Shim, 25 x 34 x 0.90 mm				
	0828-025	AR	Shim, 25 x 34 x 0.95 mm				
	0828-026	AR	Shim, 25 x 34 x 1.00 mm				
	0828-027	AR	Shim, 25 x 34 x 1.05 mm				
	0828-028	AR	Shim, 25 x 34 x 1.10 mm				
	0828-029	AR	Shim, 25 x 34 x 1.15 mm				



MAGNETO ASSEMBLY

0746-613

Ref	Part No.	New Qty	Description	Ref	Part No.	New Qty	Description
1	0802-062	1	Rotor/Flywheel	5	0802-065	1	Stator - Assembly
2	0829-012	1	Key	6	8470-510	1	Screw, Machine
3	0827-014	1	Nut	7	0802-015	1	Clamp - No. 1
4	8409-632	3	Screw, Cap				

