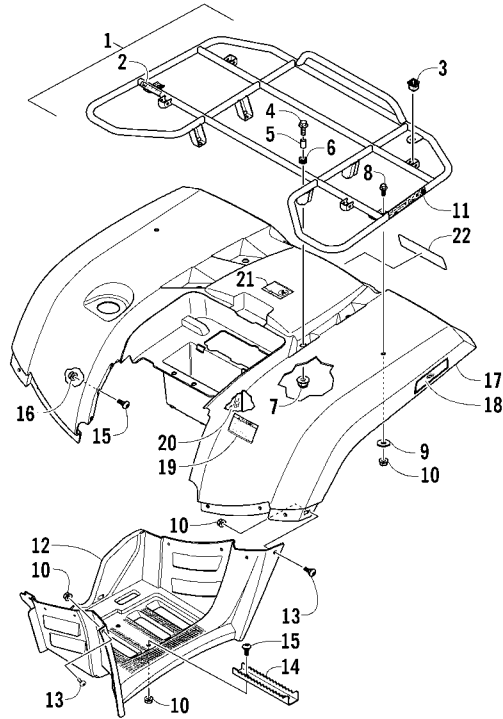


FRONT RACK, BODY PANEL, AND HEADLIGHT ASSEMBLIES

0747-506

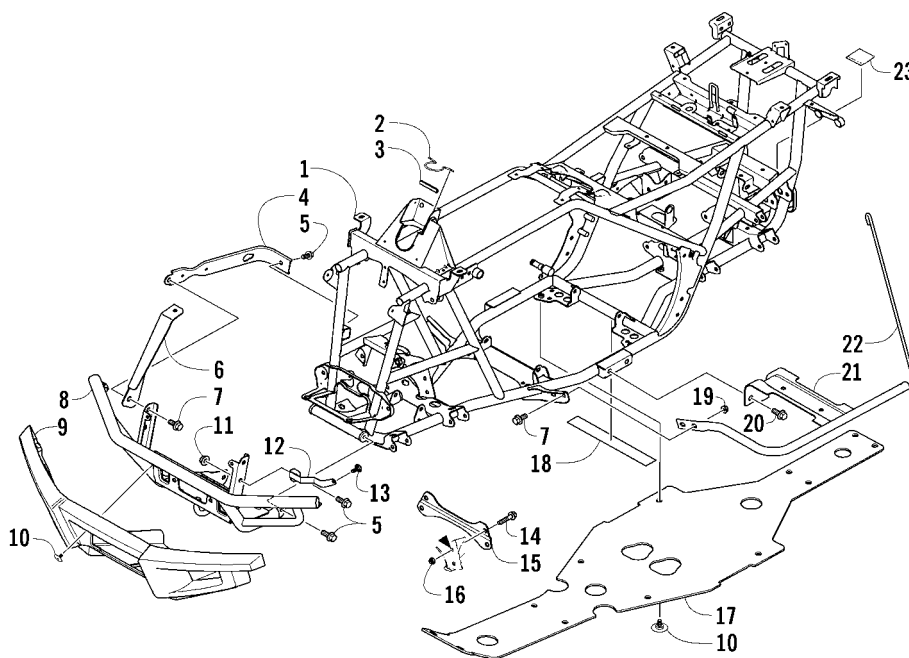
Ref	Part No.	New Qty	Description	Ref	Part No.	New Qty	Description
1	2506-107	1	Rack, Front - Assembly (inc. 2)	27	2416-240	1	Box, Storage - Black
2	0411-576	1	● Decal, Warning - Load	28	0623-544	2	Clip, Retaining
3	0441-592	4	● Bushing	29	2506-235	1	Lid, Storage Box w/Latch (inc. 30-31)
4	8410-835	4	Screw, Cap	30	1406-599	1	● Latch, Storage Box
5	0423-669	4	Spacer	31	1406-862	1	● Lid, Storage Box
6	0423-465	4	Grommet	32	0423-101	2	Screw, Shoulder
7	8432-802	4	Nut, Lock	33	4506-392	1	Panel, Fender - Assembly - Red
8	0423-654	2	Screw, Shoulder				(inc. 34-40) (4CUSR/4COSR)
9	8050-222	2	Washer		4506-393	1	Panel, Fender - Assembly - Green
10	8427-602	2	Nut, Lock				(inc. 34-40) (4CUSG/4COSG)
11	0609-852	1	Headlight Assembly - Right (inc. 12-13)	34	1411-078	1	● Decal, Reflector - Right - Amber
	0609-853	1	Headlight Assembly - Left (inc. 12-13)		1411-079	1	● Decal, Reflector - Left - Amber
12	0409-073	2	● Bulb, Headlight	35	1411-574	1	● Decal, Warning - Off-Road Only
13	0409-045	2	● Bulb, Headlight	36	1411-804	1	● Decal, Warning - Age
14	0423-514	2	Stud, Adjuster - Headlight	37	1411-932	1	● Decal, Warning - General
15	0423-522	2	Spring, Adjuster	38	0411-835	1	● Decal, Warning - Turn/Hill
16	0423-513	2	Knob, Adjuster	39	1411-250	1	● Decal, Warning - Reverse/Pre-Ride
17	0623-785	4	Screw, Self-Tapping	40	0412-394	1	● Foil, Protective
18	8050-217	8	Washer	41	3411-572	X 1	Decal, Side - Upper Right
19	0423-447	4	Grommet				(4CUSR/4COSR)
20	2406-302	1	Panel, Side - Lower - Right		3411-573	X 1	Decal, Side - Upper Left
	2416-133	1	Panel, Side - Lower - Left				(4CUSR/4COSR)
21	0423-678	8	Grommet		3411-580	X 1	Decal, Side - Upper Right
22	2416-134	1	Cover, Access - Red (4CUSR/4COSR)				(4CUSG/4COSG)
	2416-170	1	Cover, Access - Green (4CUSG/4COSG)		3411-581	X 1	Decal, Side - Upper Left
							(4CUSG/4COSG)
23	8410-616	4	Screw, Cap	42	1411-725	1	Decal, "Arctic Cat"
24	0423-997	4	T-Nut	43	3411-490	X 2	Decal, "500 EFI" (4CUSR/4COSR)
25	0623-362	2	Rivet, Reinstallable		3411-491	X 2	Decal, "500 EFI" (4CUSG/4COSG)
26	1406-972	1	Cover, Steering Post - Black				



REAR RACK, BODY PANEL, AND FOOTWELL ASSEMBLIES

0747-347

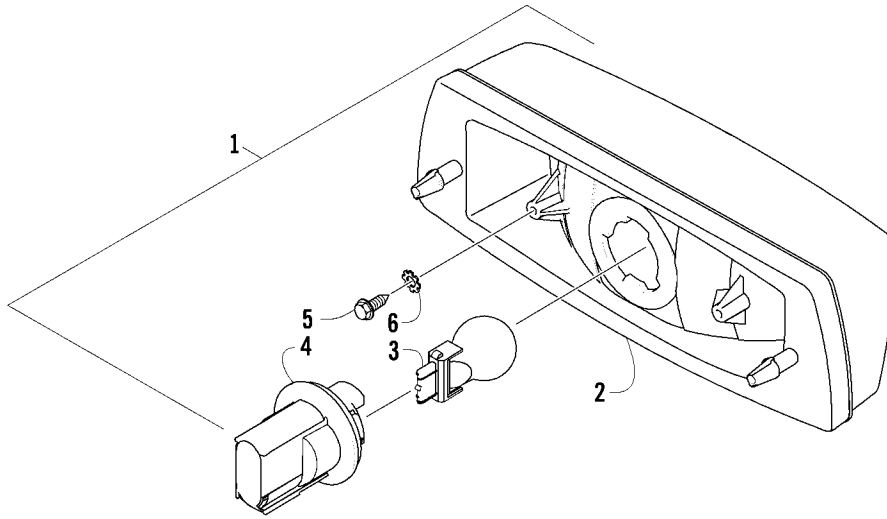
Ref	Part No.	New	Qty	Description	Ref	Part No.	New	Qty	Description
1	2506-124	1	1	Rack, Rear - Assembly (inc. 2-3)	14	1506-125	2	2	Footpeg
2	0411-648	1	1	● Decal, Warning - Load	15	0423-355	10	10	Screw, Shoulder
3	0441-592	4	4	● Bushing	16	8424-602	6	6	Nut
4	8410-835	4	4	Screw, Cap	17	2516-956	1	1	Panel, Fender - Assembly - Red (inc. 11-14) (4CUSR/4COSR)
5	0423-669	4	4	Spacer		2516-958	1	1	Panel, Fender - Assembly - Green (inc. 11-14) (4CUSG/4COSG)
6	0423-465	4	4	Grommet	18	1411-598	1	1	● Decal, Reflector - Right - Red
7	8432-802	4	4	Nut, Lock		1411-599	1	1	● Decal, Reflector - Left - Red
8	0423-654	2	2	Screw, Shoulder	19	2411-143	1	1	● Decal, Warning - Tire Pressure
9	8050-222	2	2	Washer	20	0412-351	1	1	● Foil, Protective
10	8427-602	24	24	Nut, Lock	21	1411-809	1	1	● Decal, Passenger
11	0411-965	2	2	Decal, "Speedrack"	22	1411-725	1	1	Decal, "Arctic Cat"
12	2406-280	1	1	Footwell - Right					
13	2406-385	1	1	Footwell - Left					
13	0423-419	18	18	Screw, Machine					



FRAME AND RELATED PARTS

0746-765

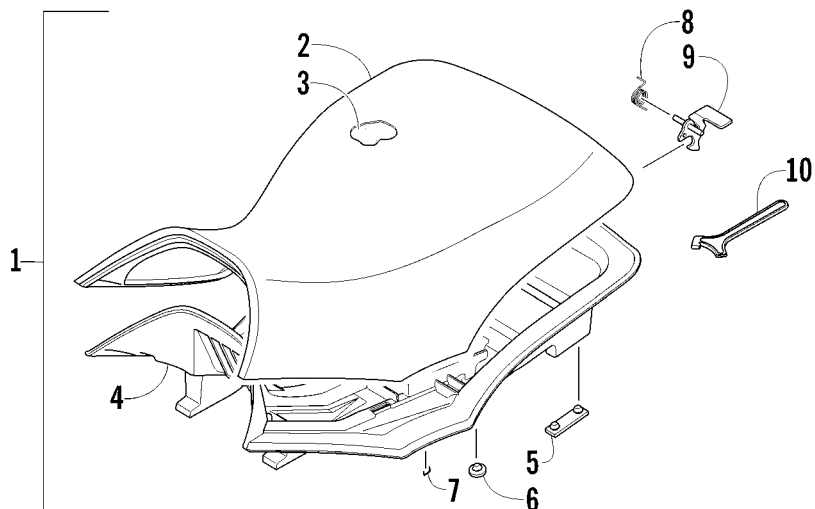
Ref	Part No.	New Qty	Description	Ref	Part No.	New Qty	Description
1	4506-550	1	Frame, Main	13	0623-797	2	Screw, Self-Tapping
2	2416-401	1	Clip, Routing	14	8409-025	2	Screw, Cap
3	0706-371	AR	Trim - 3 ft	15	2516-852	1	Brace, A-Arm
4	1506-596	2	Channel, Bumper Mounting	16	0423-744	2	Nut, Lock
5	8409-020	6	Screw, Cap	17	1406-030	1	Panel, Belly
6	1506-686	1	Bracket, Mounting - Bumper - Right	18	0406-289	2	Pad, Frame
7	1506-687	1	Bracket, Mounting - Bumper - Left	19	8424-802	4	Nut
8	8408-816	6	Screw, Cap	20	8409-016	4	Screw, Cap
9	1506-684	1	Bumper, Front	21	1506-659	1	Footrest - Right
10	1406-868	1	Fascia, Bumper - Front - Black		1506-660	1	Footrest - Left
11	0423-101	16	Screw, Shoulder	22	2506-426	2	Rod, Support
12	8424-002	2	Nut	23	1411-077	1	Decal, Warning - Towing
	2516-594	1	Bracket, Support - Right				
	2516-595	1	Bracket, Support - Left				



TAILLIGHT ASSEMBLY

0739-667

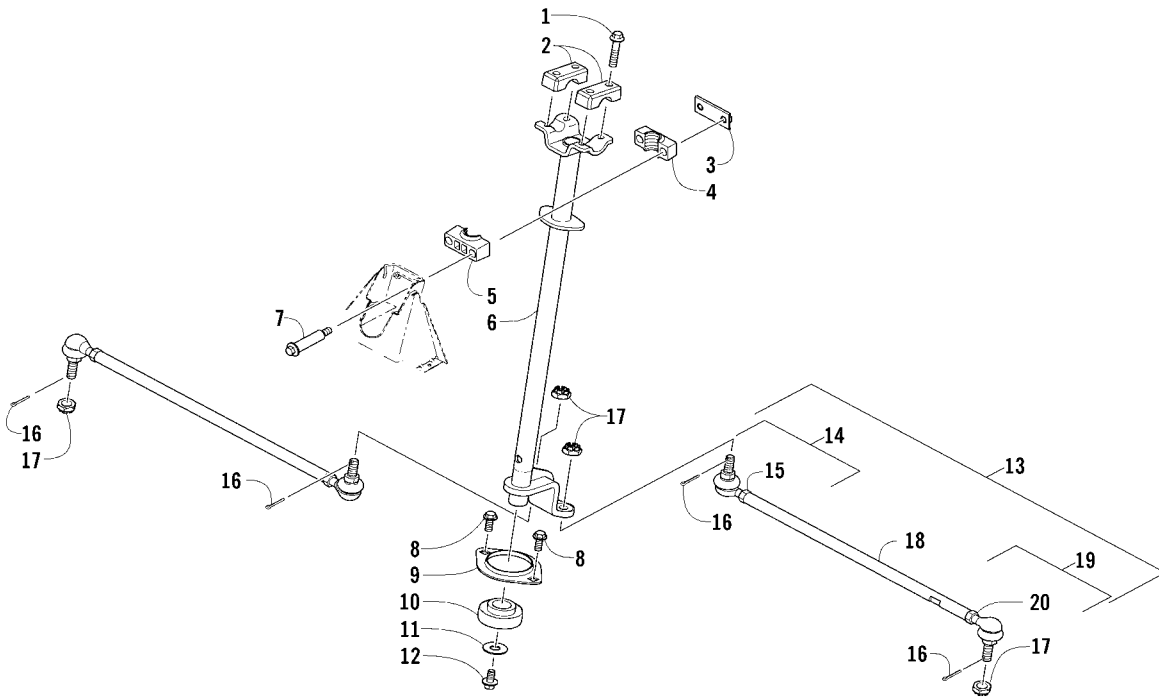
Ref	Part No.	New Qty	Description	Ref	Part No.	New Qty	Description
1	0509-022	1	Taillight Assembly (inc. 2-4)	4	0409-057	1	● Socket, Taillight
2	0509-025	1	● Housing, Taillight	5	0623-301	2	Screw, Self-Tapping
3	0409-056	1	● Bulb, Taillight	6	8053-212	2	Washer, External Tooth Lock



SEAT ASSEMBLY

0744-435

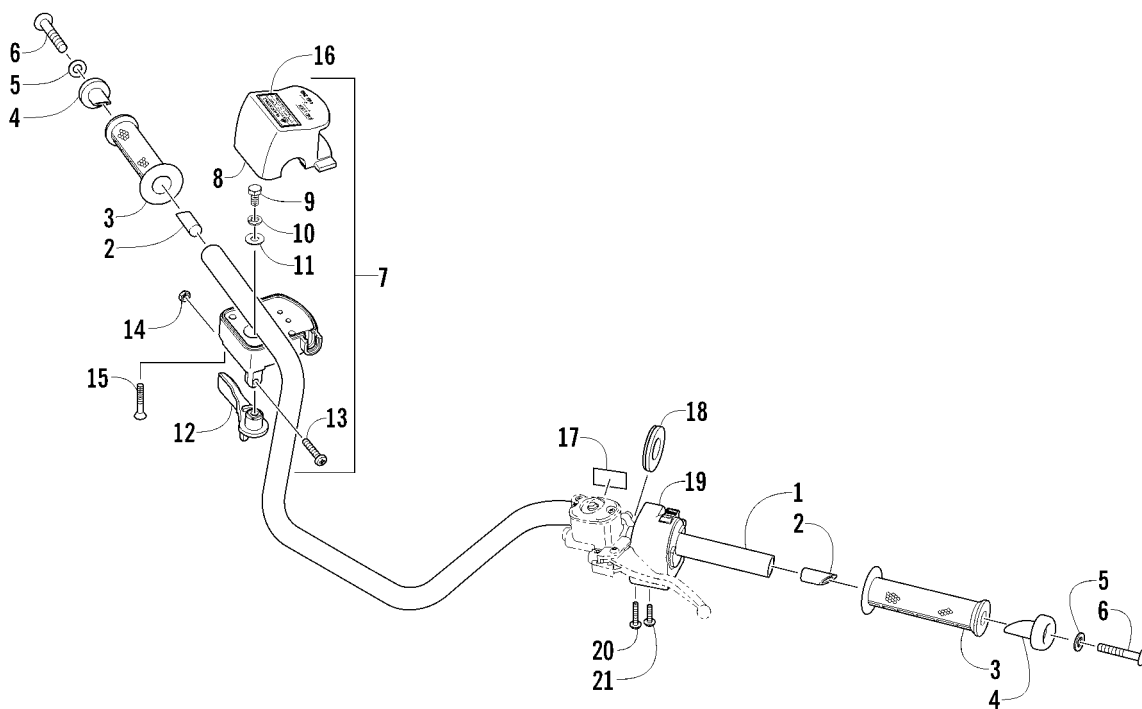
Ref	Part No.	New Qty	Description	Ref	Part No.	New Qty	Description
1	4506-557	1	Seat Assembly (inc. 2-9)	6	0406-877	4	●● Bumper, Seat - Front
2	1506-209	1	● Cover, Seat	7	0624-263	AR	● Staple
3	0517-119	1	● Foam, Seat	8	1406-592	1	● Spring, Seat Latch
4	2416-826	1	● Base, Seat - Assembly (inc. 5-6)	9	1506-156	1	● Latch, Seat
5	0406-879	2	●● Bumper, Seat - Rear	10	0441-587	1	Wrench, Spanner



STEERING ASSEMBLY

0747-931

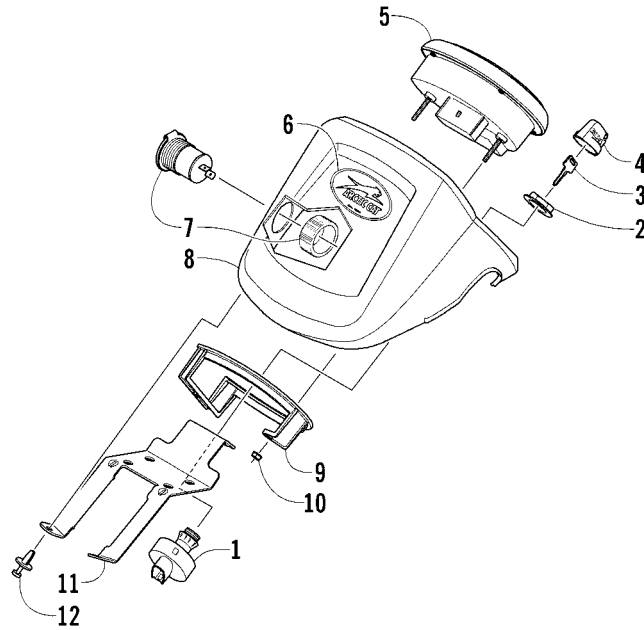
Ref	Part No.	New Qty	Description	Ref	Part No.	New Qty	Description
1	8408-835	4	Screw, Cap	12	8409-020	1	Screw, Cap
2	0405-035	2	Cap, Steering Adjuster	13	0505-872	X 2	Tie Rod - Assembly (inc. 14-20)
3	0505-484	1	Cap, Housing	14	0505-875	X 2	● End, Tie Rod - Left-Hand Thread - Kit (inc. one No. 15-17)
4	0405-260	1	Housing, Upper	15	0423-013	2	●● Nut - Left-Hand Thread
5	0405-259	1	Housing, Lower	16	0623-175	4	●● Pin, Cotter
6	0505-493	1	Post, Steering	17	0423-157	4	●● Nut, Lock
7	0423-505	2	Screw, Shoulder	18	0405-281	2	● Tie Rod
8	8408-816	2	Screw, Cap	19	0505-874	X 2	● End, Tie Rod - Right-Hand Thread - Kit (inc. one No. 16-17 and 20)
9	0602-233	1	Flange, Bearing	20	8420-002	2	●● Nut - Right-Hand Thread
10	0405-052	1	Bearing w/Inverted Oil Seal				
11	0423-073	1	Washer				



HANDLEBAR ASSEMBLY

0744-426

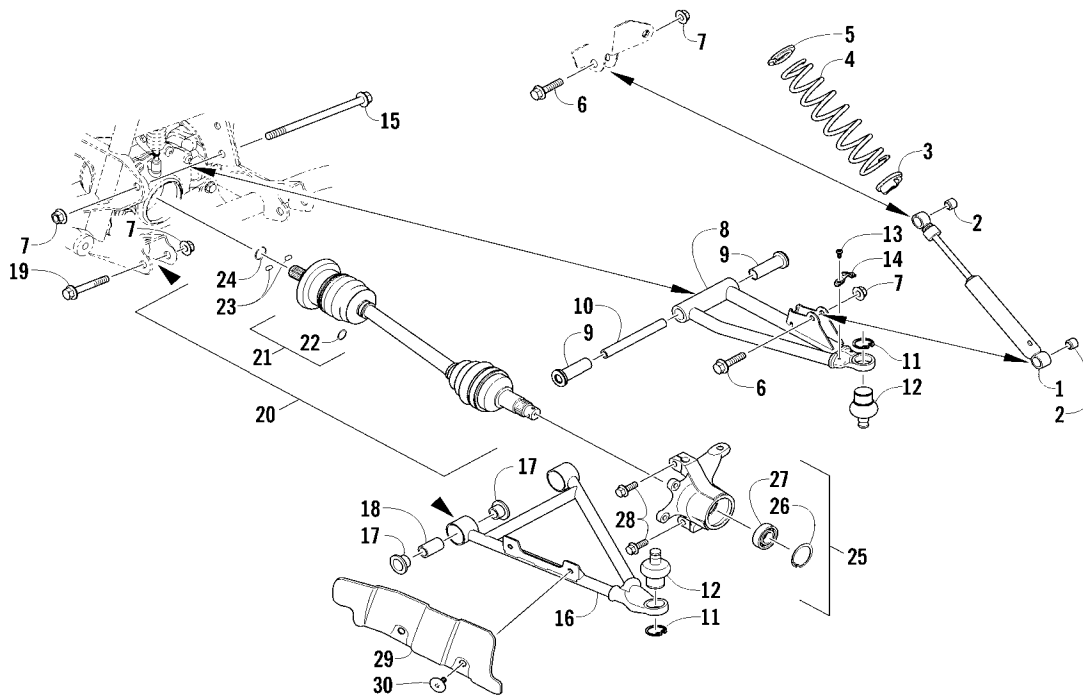
Ref	Part No.	New Qty	Description	Ref	Part No.	New Qty	Description
1	0505-418	1	Handlebar	12	0409-133	1	● Lever, Throttle
2	0405-218	2	Plug, Handlebar	13	3423-014	1	● Screw, Machine
3	0405-147	2	Grip, Handlebar	14	3423-327	1	● Nut
4	0405-149	2	End Cap, Handlebar	15	3423-199	2	● Screw, Machine
5	8050-247	2	Washer	16	0411-966	1	Decal, Warning - Differential Lock
6	8477-845	2	Screw, Machine	17	1411-865	1	Decal, Warning - Brake Lever Lock
7	0509-054	1	Case, Throttle - Assembly (inc. 8-15)	18	3409-019	1	Cover, Switch Housing
8	0409-141	1	● Cover, Throttle Case w/Switch	19	0509-014	1	Switch, Control - Assembly (inc. 20-21)
9	3007-392	1	● Screw, Cap	20	0409-028	1	● Screw, Machine
10	3004-447	1	● Washer, Lock	21	0409-027	1	● Screw, Machine
11	3003-030	1	● Washer				



INSTRUMENT POD ASSEMBLY

0746-654

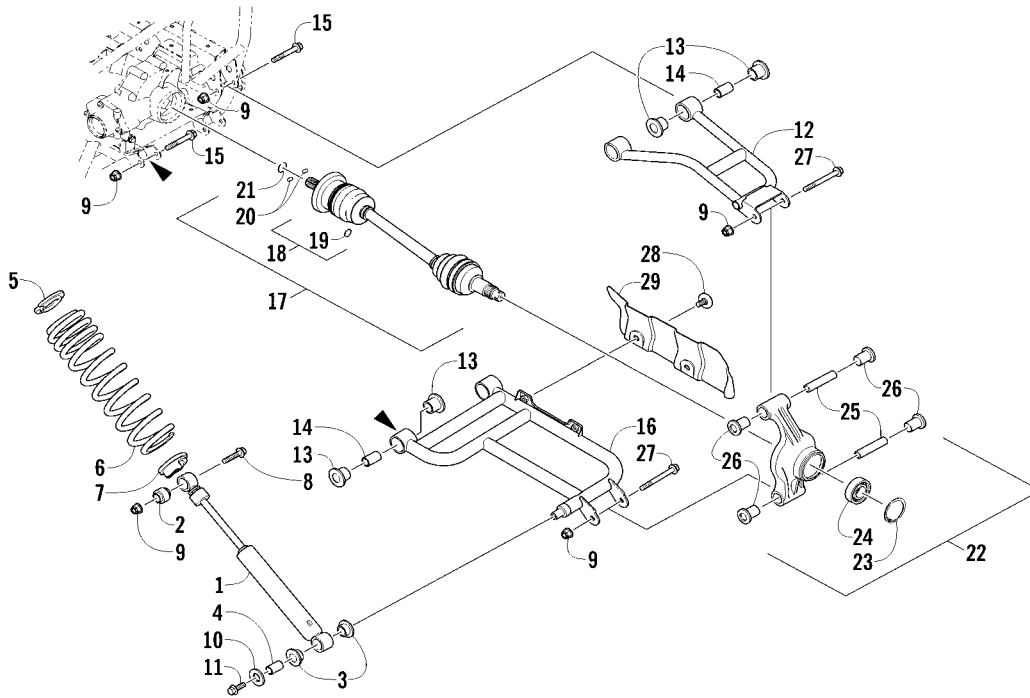
Ref	Part No.	New	Qty	Description	Ref	Part No.	New	Qty	Description
1	0430-090		1	Switch, Ignition - Assembly (inc. 2-4)	7	0641-897		1	Outlet, Accessory - 12V
2	0430-050		1	● Nut, Retaining	8	0405-276		1	Instrument Pod - Black
3	0430-042		1	● Key, Ignition (Y Series - Left-Side Cut)	9	0420-065		1	Bracket, Retaining
	0430-043		1	● Key, Ignition (Z Series - Right-Side Cut)	10	0423-493		2	Nut w/Washer
4	0430-054		1	● Cover, Key	11	2506-470		1	Bracket, Mounting - Instrument Pod
5	0520-227	X	1	Gauge, LCD	12	0423-535		2	Rivet, Reinstallable
6	9611-751		1	Decal, "Arctic Cat" (4CUSR/4COSR)					
	9611-752		1	Decal, "Arctic Cat" (4CUSG/4COSG)					



FRONT SUSPENSION ASSEMBLY

0745-247

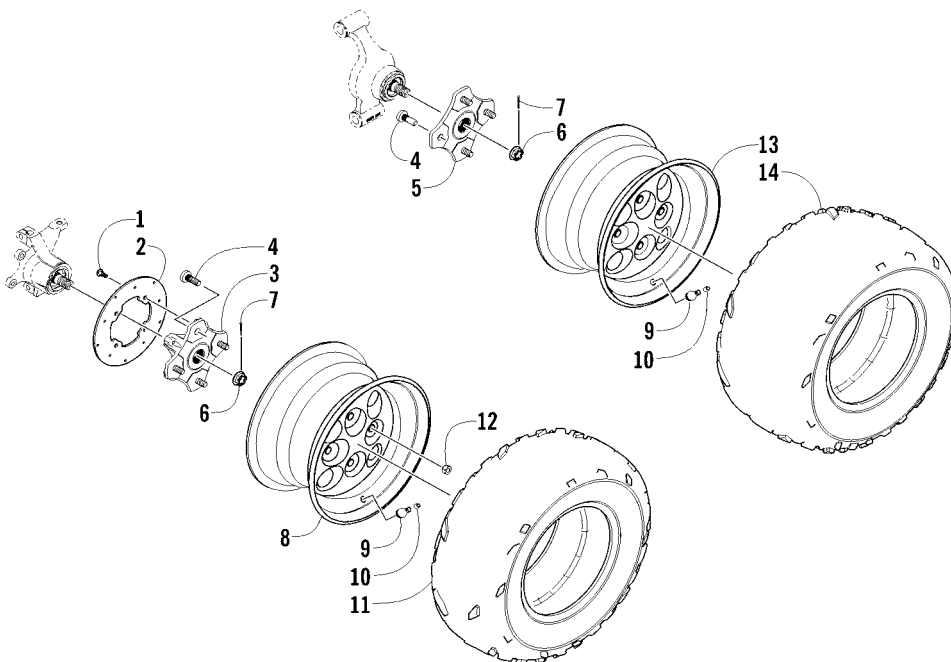
Ref	Part No.	New Qty	Description	Ref	Part No.	New Qty	Description
1	0403-209	2	Shock Absorber (inc. 2)	17	0403-208	8	● Bushing
2	0403-182	4	● Bushing	18	0403-214	4	● Axle
3	0403-288	2	Cam, Spring Adjuster	19	8409-075	4	Screw, Cap
4	0503-353	2	Spring, Suspension - Black	20	1502-800	1	Axle, Drive - Right (inc. 21-24)
5	1603-889	2	Retainer, Spring	21	1502-799	1	Axle, Drive - Locking - Left (inc. 21-24)
6	8409-040	4	Screw, Cap	22	1436-419	2	● Repair Kit, Boot (inc. 22)
7	0423-744	10	Nut, Lock	23	1441-988	2	●● Clip, Retaining
8	0503-416	1	A-Arm, Upper Right - Black (inc. 9-12)	24	1402-885	4	● Pin, Detent
9	0503-417	1	A-Arm, Upper Left - Black (inc. 9-12)	25	1402-889	2	● Clip, Retaining
10	0403-207	4	● Bushing	26	0505-576	1	Knuckle - Assembly - Right (inc. 26-27)
11	0403-080	2	● Axle	27	0505-577	1	Knuckle - Assembly - Left (inc. 26-27)
12	0423-009	4	● Ring, Retaining	28	0423-423	2	● Ring, Retaining
13	0405-483	4	● Ball Joint	29	1402-809	2	● Bearing
14	0423-946	4	Screw, Self-Tapping	30	0423-998	4	Screw, Shoulder
15	1502-594	2	Clamp, Routing	29	1406-034	1	Guard, Boot - Right - Black
16	0423-334	2	Screw, Cap	30	1406-035	1	Guard, Boot - Left - Black
16	0503-376	1	A-Arm, Lower Right - Black (inc. 17-18 and two No. 11-12)	30	0423-545	4	Screw, Shoulder
	0503-377	1	A-Arm, Lower Left - Black (inc. 17-18 and two No. 11-12)				



REAR SUSPENSION ASSEMBLY

0745-252

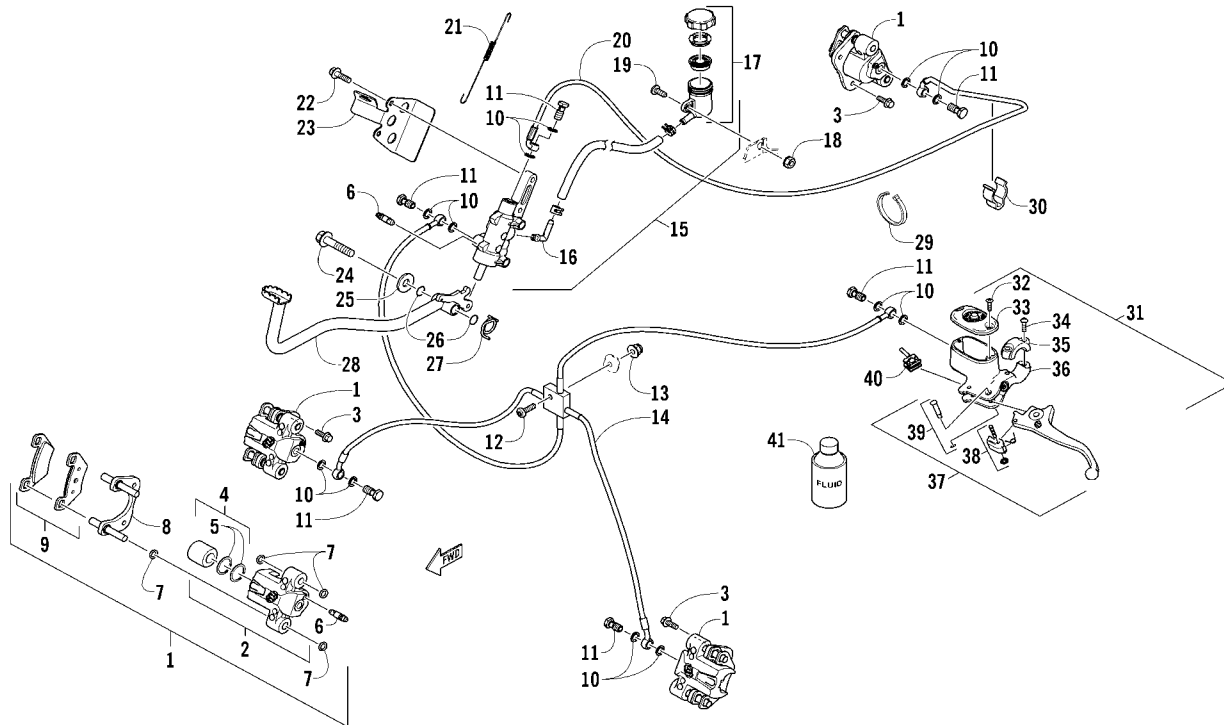
Ref	Part No.	New Qty	Description	Ref	Part No.	New Qty	Description
1	0404-158	2	Shock Absorber (inc. 2-4)	16	0504-572	1	A-Arm, Rear - Lower Right - Black (inc. 13-14)
2	0403-182	2	● Bushing		0504-573	1	A-Arm, Rear - Lower Left - Black (inc. 13-14)
3	0603-955	4	● Bushing	17	1502-798	2	Axle, Drive (inc. 18-21)
4	1603-219	2	● Sleeve	18	1436-419	2	● Repair Kit, Boot (inc. 19)
5	1603-889	2	Retainer, Spring	19	1441-988	2	● Clip, Retaining
6	0504-536	2	Spring, Suspension - Black	20	1402-884	4	● Pin, Detent
7	0404-057	2	Cam, Spring Adjuster	21	1402-890	2	● Clip, Retaining
8	8409-040	1	Screw, Cap - Right	22	0504-548	1	Knuckle, Right - Assembly (inc. 23-26)
9	8409-050	1	Screw, Cap - Left		0504-549	1	Knuckle, Left - Assembly (inc. 23-26)
9	0423-744	14	Nut, Lock	23	0423-423	2	● Ring, Retaining
10	0423-087	2	Washer	24	1402-809	2	● Bearing
11	8408-820	2	Screw, Cap	25	0403-213	4	● Axle
12	0504-582	1	A-Arm, Rear - Upper Right - Black (inc. 13-14)	26	0403-206	8	● Bushing
	0504-583	1	A-Arm, Rear - Upper Left - Black (inc. 13-14)	27	8409-000	4	Screw, Cap
13	0403-208	16	● Bushing	28	0423-545	4	Screw, Shoulder
14	0403-214	8	● Axle	29	1406-068	1	Guard, Boot - Rear - Right - Black
15	8409-075	8	Screw, Cap		1406-069	1	Guard, Boot - Rear - Left - Black



WHEEL AND TIRE ASSEMBLY

0745-929

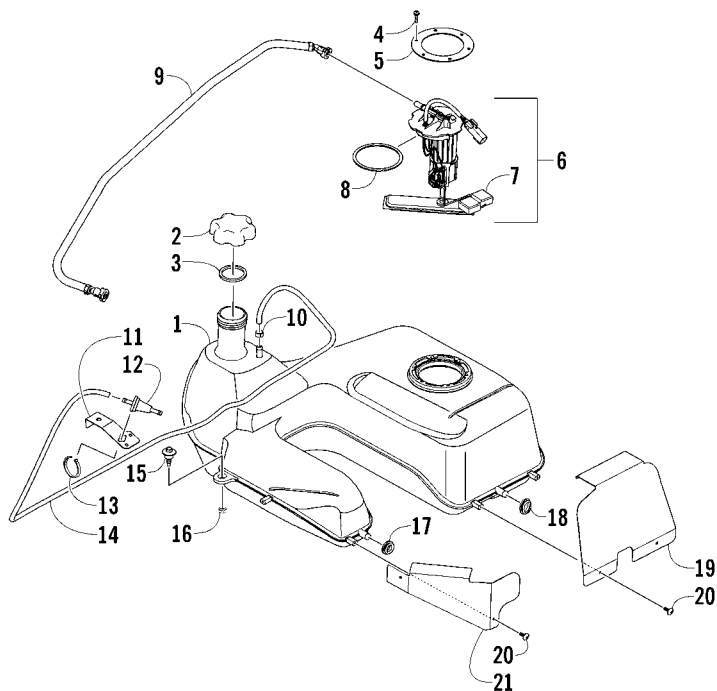
Ref	Part No.	New Qty	Description	Ref	Part No.	New Qty	Description
1	0423-557		12 Screw, Shoulder	8	1402-780	2	Wheel - Front - Black
2	1436-808		3 Disc, Brake	9	0402-064	4	Stem, Valve (inc. 10)
3	1502-462		2 Hub, Wheel - Front (inc. 4)	10	0402-140	4	● Cap, Valve Stem
4	0402-974	16	● Stud	11	2402-096	2	Tire - Front
5	1502-462	1	Hub, Wheel - Rear - Right (inc. 4)	12	0423-408	16	Nut, Lug
	1502-464	1	Hub, Wheel - Rear - Left (inc. 4)	13	1402-781	2	Wheel - Rear - Black
6	0423-607	4	Nut, Castle	14	2402-097	2	Tire - Rear
7	0423-407	4	Pin, Cotter				



HYDRAULIC BRAKE ASSEMBLY

0747-109

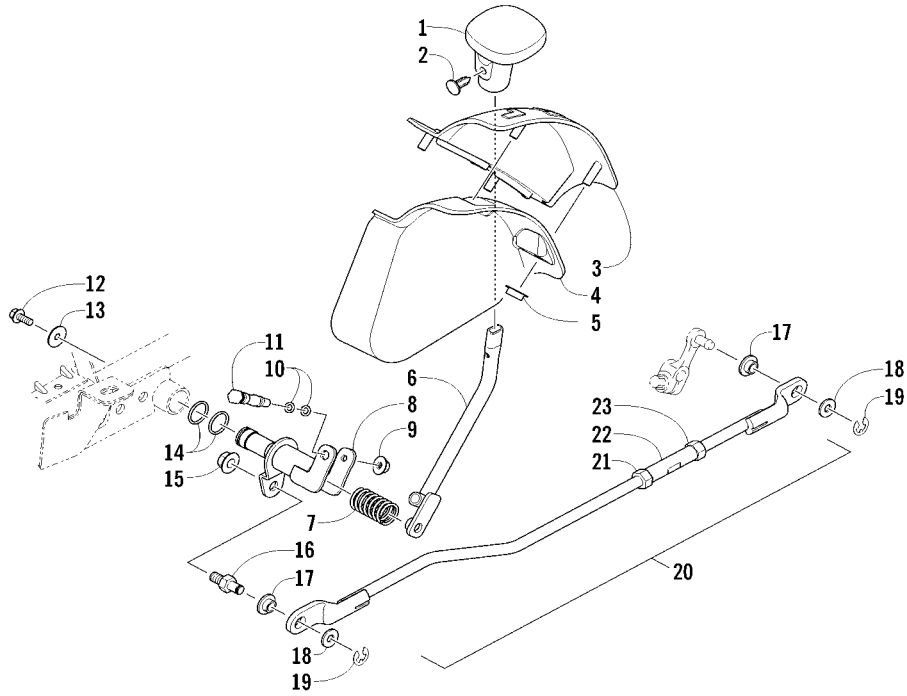
Ref	Part No.	New Qty	Description	Ref	Part No.	New Qty	Description
1	1436-422	1	Caliper, Brake - Right Front (inc. 2-9)	18	0623-038	1	Nut w/Washer
	1436-423	1	Caliper, Brake - Left Front (inc. 2-9)	19	8476-616	1	Screw, Machine
	1436-423	1	Caliper, Brake - Rear (inc. 2-9)	20	1502-593	1	Hose, Brakeline
2	1436-160	1	● Housing, Caliper - Assembly - Right Front (inc. 3-6)	21	0502-785	1	Spring, Brake Switch
	1436-161	1	● Housing, Caliper - Assembly - Left Front (inc. 3-6)	22	8408-625	2	Screw, Cap
	1436-161	1	● Housing, Caliper - Assembly - Rear (inc. 3-6)	23	1502-179	1	Bracket, Switch
3	8408-821	6	●●● Screw, Cap	24	8408-816	1	Screw, Cap
4	0502-606	3	●●● Piston/Seal Set (inc. 5)	25	8050-252	1	Washer
5	0502-607	3	●●●● Seal Set	26	1602-213	2	O-Ring
6	0502-609	4	●●● Valve, Bleed	27	0502-807	1	Spring, Brake Lever
7	0502-608	3	●● O-Ring, Guide - Set	28	1502-063	1	Lever, Brake
8	0502-605	3	● Bracket Assembly	29	0123-788	AR	Tie, Cable - 8 in.
9	1502-694	3	● Pad, Brake - Set	30	1502-115	2	Clip, Brakeline Hose
10	0423-178	12	Washer, Crush	31	1502-902	1	Brake Assembly (inc. 32-40)
11	0423-413	6	Bolt, Banjo-Fitting	32	0502-566	1	● Screw, Machine - Kit
12	8476-625	1	Screw, Machine	33	0502-868	1	● Cover, Reservoir
13	8427-602	1	Nut, Lock	34	0502-568	1	● Screw, Machine - Kit
14	1502-015	1	Hose, Brakeline - Assembly	35	0502-869	1	● Clamp, Master Cylinder
15	1502-293	1	Brake Assembly (inc. 16-17)	36	0502-704	1	● Master Cylinder Assembly
16	1502-296	1	● Adapter, Hose	37	1502-904	1	● Lever Assembly - Kit (inc. 38-39)
17	1502-155	1	● Reservoir, Brake w/Clamp	38	1502-905	1	●● Lock, Brake Lever - Kit
				39	0502-580	1	●●● Lever Pin - Kit
				40	0502-564	1	● Switch, Brake
				41	5639-848	AR	Fluid, Brake - 12 oz



GAS TANK ASSEMBLY

0747-102

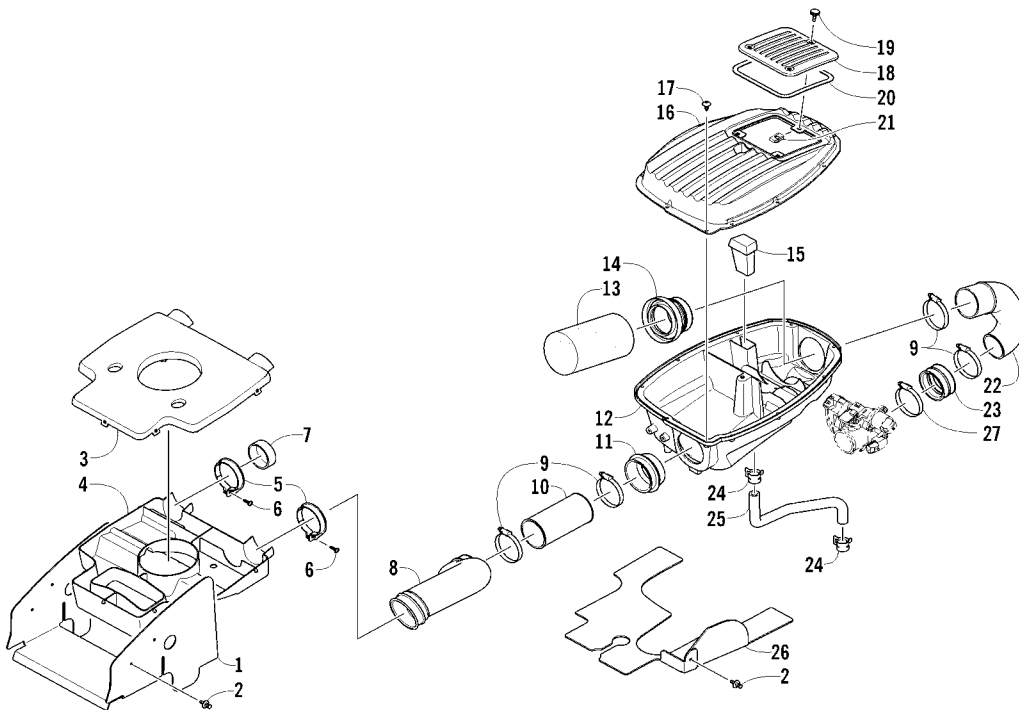
Ref	Part No.	New Qty	Description	Ref	Part No.	New Qty	Description
1	0570-307	1	Tank, Gas - Assembly (inc. 2-5)	12	0470-988	1	Filter, In-Line
2	0470-438	1	● Cap, Gas Tank (inc. 3)	13	0123-788	AR	Tie, Cable - 8 in.
3	0109-733	1	●● Gasket, Gas Tank Cap	14	0410-070	AR	Hose, Gasline - 25 ft
4	0423-898	6	● Screw, Self-Tapping	15	0423-732	2	Screw, Shoulder
5	2670-042	1	● Plate, Retaining	16	0623-038	1	Nut w/Washer
6	0570-322	1	Pump, Fuel - Assembly (inc. 7-8)	17	0423-460	1	Grommet
7	2670-235	1	● Float	18	0423-806	1	Grommet
8	0470-838	1	● Seal	19	0470-710	1	Shield, Heat - Gas Tank - Rear
9	0570-316	1	Hose, Gasline - Assembly	20	0623-797	4	Screw, Self-Tapping
10	0423-688	AR	Clamp, Hose	21	0470-709	1	Shield, Heat - Gas Tank - Front
11	0470-980	1	Bracket, Filter Mounting				



SHIFT LEVER ASSEMBLY

0745-254

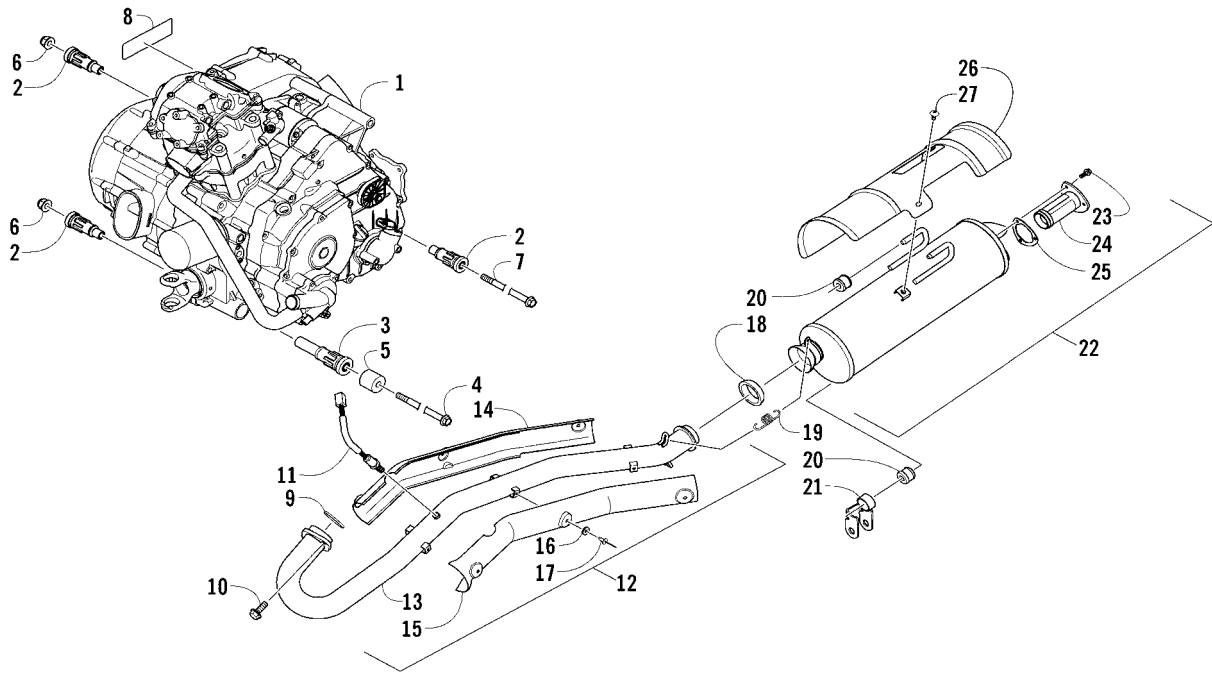
Ref	Part No.	New	Qty	Description	Ref	Part No.	New	Qty	Description
1	0402-843		1	Knob, Shift	13	0423-087		1	Washer
2	0423-345		1	Clip, Retaining	14	0423-299		2	O-Ring
3	2402-139	X	1	Plate, Shift	15	8424-802		1	Nut
4	2406-348		1	Shield, Shift Plate	16	1402-621		1	Pin, Mounting
5	0423-357		4	Nut, Stamped	17	0423-091		2	Bushing
6	1502-977		1	Lever, Shift	18	0623-094		2	Washer
7	2402-117		1	Spring, Shift Lever	19	0423-169		2	E-Ring
8	1502-957		1	Actuator, Shift	20	1502-652		1	Linkage, Shift - Assembly (inc. 21-23)
9	8424-602		1	Nut	21	0123-917		1	● Nut, Hex - Left-Hand Thread
10	0423-182		2	O-Ring	22	1402-619		1	● Coupler
11	0402-675		1	Axle, Pivot	23	0623-294		1	● Nut, Hex - Right-Hand Thread
12	8408-812		1	Screw, Cap					



AIR INTAKE ASSEMBLY

0744-957

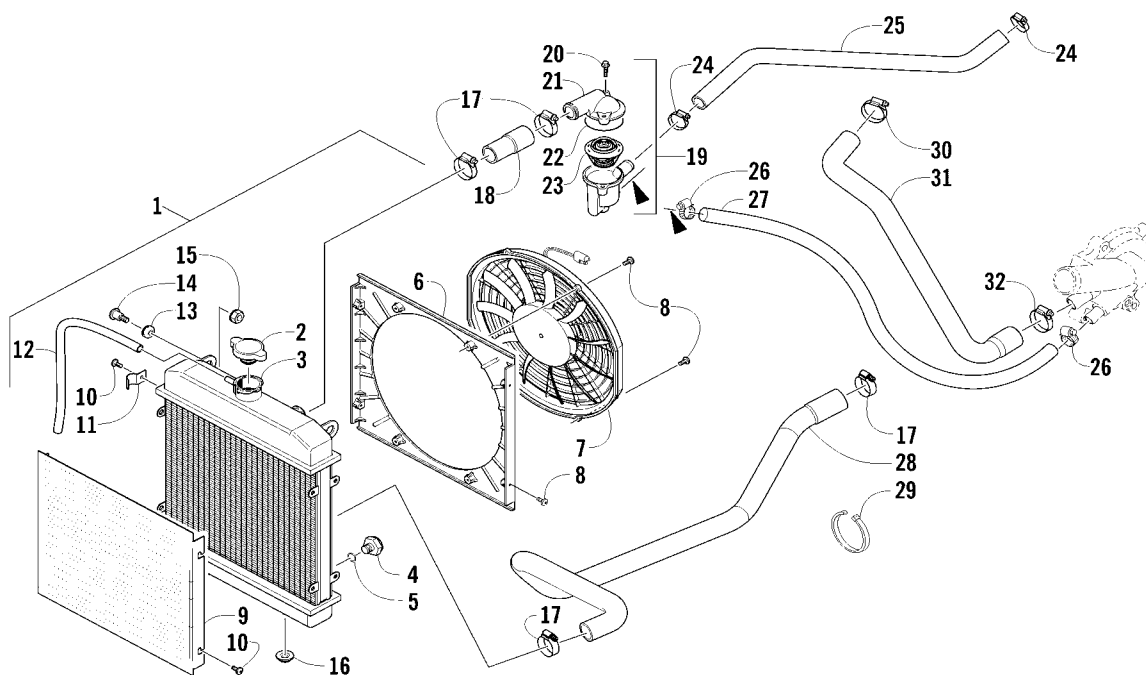
Ref	Part No.	New Qty	Description	Ref	Part No.	New Qty	Description
1	2406-013	1	Shroud, Splash	15	0470-891	1	Filter, Vent
2	0623-362	3	Rivet, Reinstallable	16	0470-873	1	Cover, Intake
3	0413-091	1	Diverter, Air - Top	17	0623-784	11	Screw, Self-Tapping
4	0413-093	1	Diverter, Air - Bottom	18	0470-874	1	Cover, Access
5	0423-551	2	Clamp	19	0423-996	3	Screw, Thumb
6	0423-342	2	Screw, Self-Tapping	20	0470-892	1	Seal
7	0413-096	1	Cap, Air Intake - Diverter	21	1623-637	3	Clip, U-Nut
8	0470-529	1	Duct, Air Intake - Engine	22	0470-876	1	Duct, Intake - Housing/Throttle Body
9	0423-019	4	Clamp	23	0470-871	1	Boot, Intake - Housing/Throttle Body
10	0470-875	1	Duct, Intake - Diverter/Housing	24	1623-281	2	Clamp, Hose
11	0470-869	1	Boot, Intake - Diverter/Housing	25	0410-087	1	Hose, Vent
12	0470-872	1	Housing, Intake	26	2416-388	1	Panel, Shield
13	0470-890	1	Filter, Air	27	0423-832	1	Clamp
14	0470-888	1	Boot, Adapter				



ENGINE AND EXHAUST

0747-508

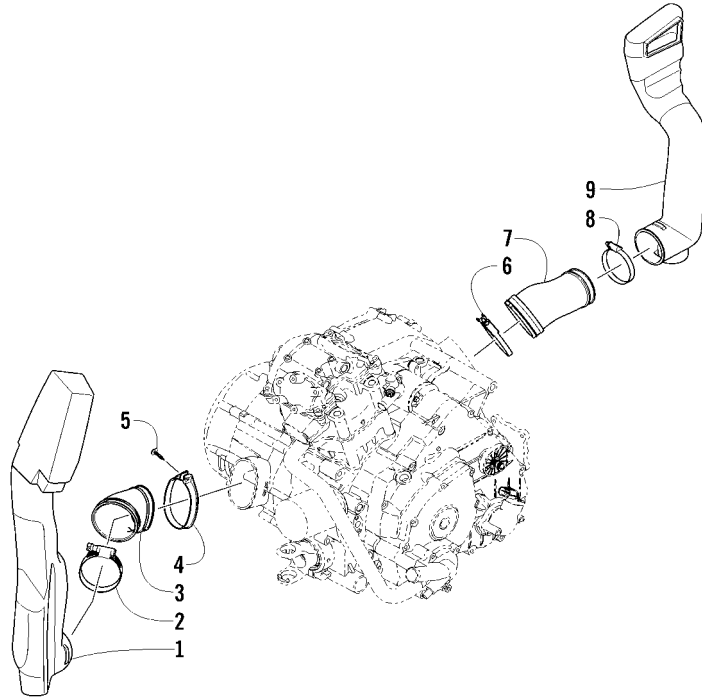
Ref	Part No.	New	Qty	Description	Ref	Part No.	New	Qty	Description
1	3313-864	X	1	Engine (inc. 2-3)	15	0412-689	X	1	● Shield, Exhaust Pipe - Outer
2	0801-188		3	● Mount, Rubber - Engine	16	8050-217		6	● Washer
3	0801-189		1	● Mount, Rubber - Engine	17	8061-486		6	● Rivet
4	0423-405		1	Screw, Cap	18	0412-375		1	Seal, Exhaust
5	0408-020		1	Spacer	19	0612-668		2	Spring, Extension
6	8428-002		2	Nut, Lock	20	0412-577		3	Bushing
7	0423-451		1	Screw, Cap	21	1506-732		1	Channel, Muffler Support
8	0411-426		1	Decal, Warning - Clutch Cover	22	0512-355		1	Muffler - Assembly (inc. 22-24)
9	3313-743		1	Gasket, Exhaust	23	8408-616		3	● Screw, Cap
10	8408-820		2	Screw, Cap	24	0512-219		1	● Arrester, Spark - Assembly
11	0630-302	X	1	Sensor, Oxygen	25	0412-313		1	● Gasket, Spark Arrester
12	0512-625	X	1	Pipe, Exhaust - Assembly (inc. 13-17)	26	0412-373		1	Cover, Muffler
13	0512-626	X	1	● Pipe, Exhaust	27	8477-610		3	Screw, Machine
14	0412-688	X	1	● Shield, Exhaust Pipe - Inner					



COOLING ASSEMBLY

0746-063

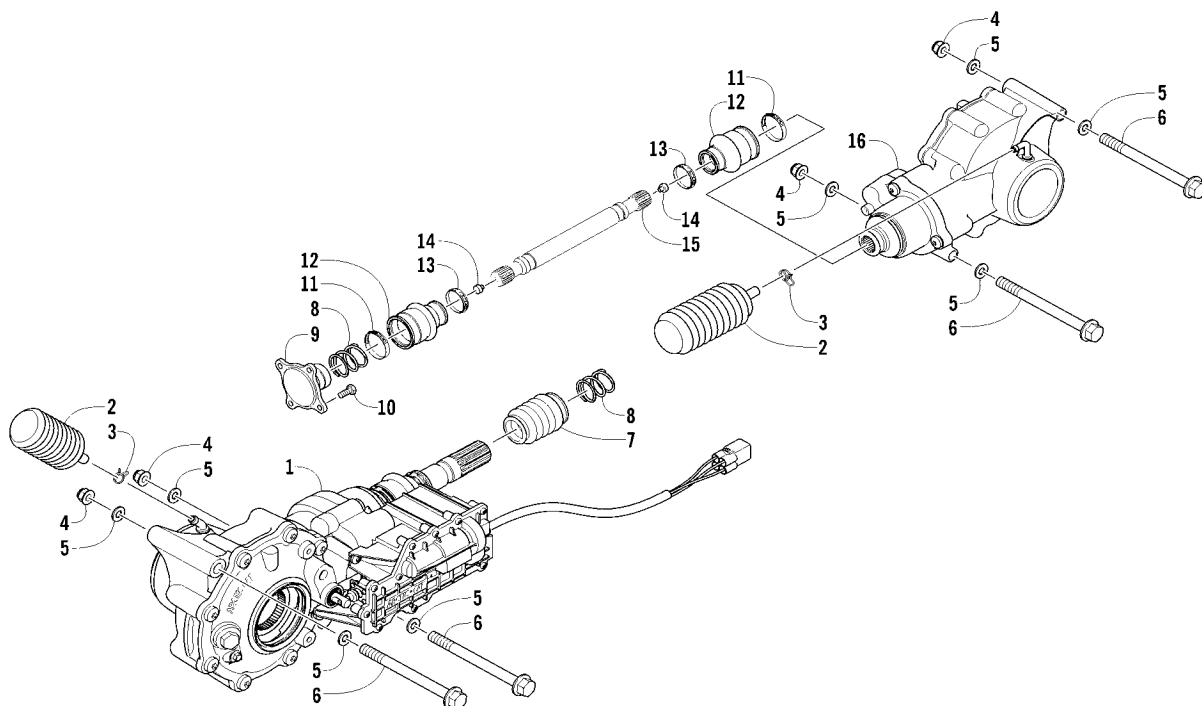
Ref	Part No.	New Qty	Description	Ref	Part No.	New Qty	Description
1	0413-256	1	Radiator Assembly (inc. 2-13)	18	0410-205	1	Hose, Coolant - Radiator/Thermostat
2	0413-255	1	● Cap	19	0808-192	1	Housing, Thermostat - Assembly (inc. 20-23)
3	0413-205	1	● Radiator	20	3303-384	2	● Screw, Cap
4	0413-195	1	● Plug, Drain	21	0808-202	1	● Cover, Housing - Thermostat
5	1602-213	1	● O-Ring	22	0830-205	1	● O-Ring
6	0413-203	1	● Shroud, Fan	23	0813-050	1	● Thermostat
7	0413-123	1	● Fan, Cooling	24	0423-490	2	Clamp, Hose
8	0623-378	8	● Screw, Self-Tapping	25	0410-203	1	Hose, Coolant - Thermostat/Cylinder
9	0413-007	1	● Screen	26	0423-632	2	Clamp, Hose
10	8475-512	4	● Screw, Machine	27	0410-202	1	Hose, Coolant - Thermostat/Water Pump
11	0423-351	1	● Clamp, Wire	28	0410-242	1	Hose, Coolant - Radiator/Water Pump
12	0610-016	AR	● Hose - 25 ft	29	0123-788	AR	Tie, Cable - 8 in.
	0610-015	AR	● Hose - 100 ft		0123-903	AR	Tie, Cable - 11.5 in.
13	0423-030	2	● Grommet	30	1423-008	1	Clamp, Hose
14	0423-484	2	Screw, Shoulder	31	0410-216	1	Hose, Coolant - Water Pump/Cylinder
15	0623-038	2	Nut w/Washer	32	3305-941	1	Clamp, Hose
16	0423-028	2	Bushing, Stem				
17	0423-496	4	Clamp, Hose				



CASE/BELT COOLING ASSEMBLY

0746-080

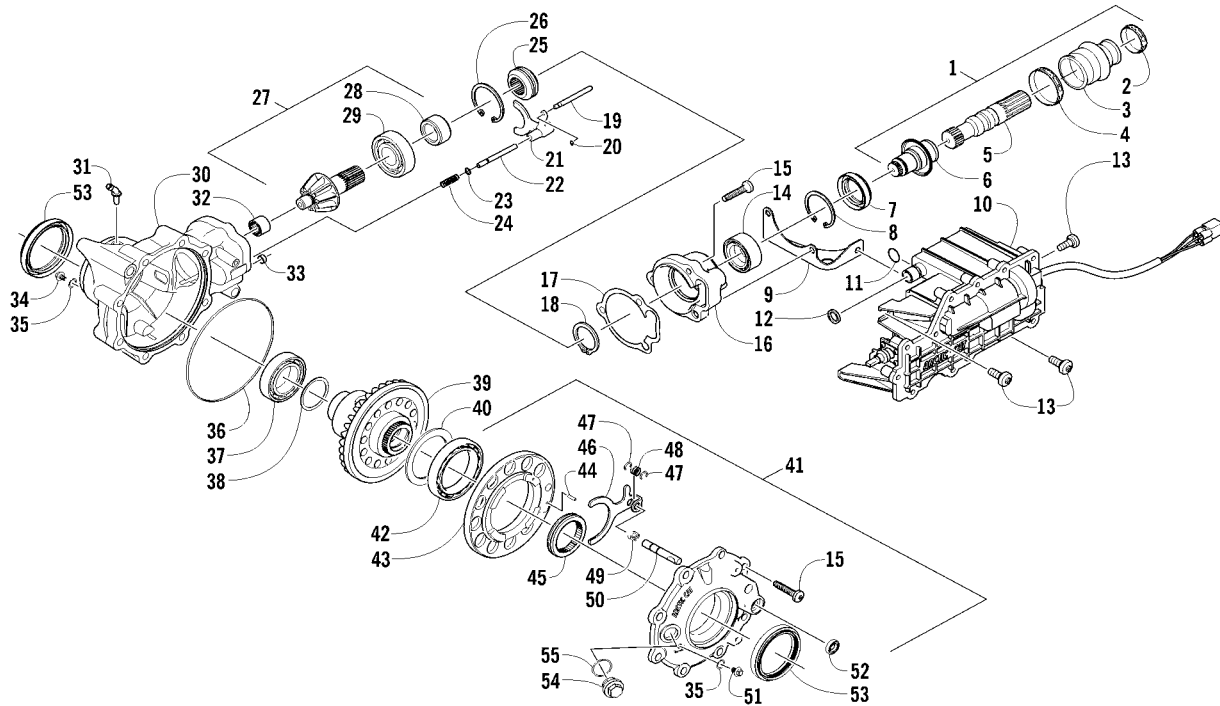
Ref	Part No.	New Qty	Description	Ref	Part No.	New Qty	Description
1	0413-126	1	Duct, Air Intake - Front - Lower	6	0423-730	1	Clamp
2	0423-057	1	Clamp	7	0413-231	1	Boot, Duct - Air Out - Rear
3	0413-160	1	Boot, Duct - Air Intake - Front	8	0423-019	1	Clamp
4	0423-550	1	Clamp	9	0413-094	1	Duct, Air Out - Rear
5	0423-342	1	Screw, Self-Tapping				



DRIVE TRAIN ASSEMBLY

0745-861

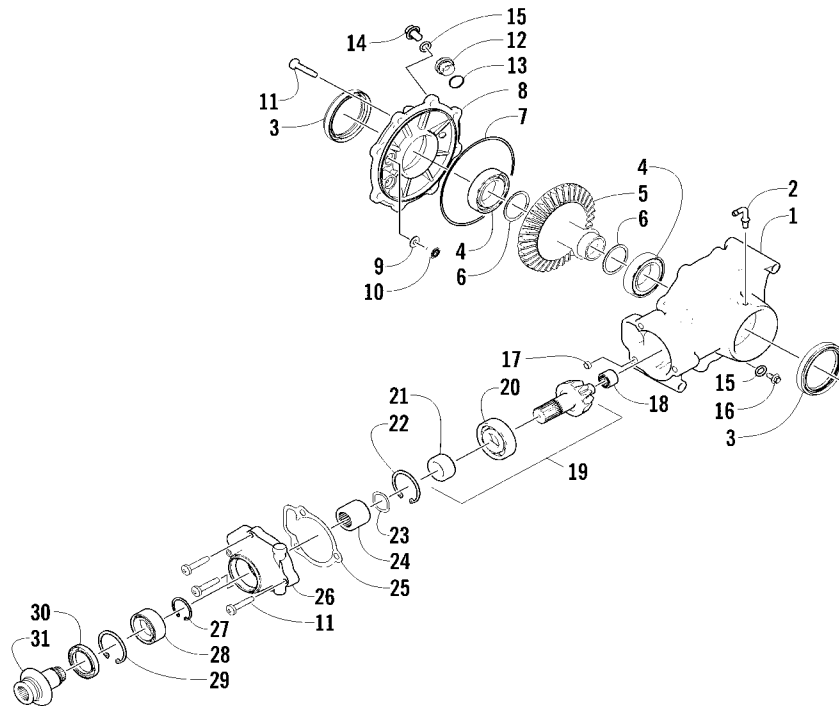
Ref	Part No.	New	Qty	Description	Ref	Part No.	New	Qty	Description
1	2502-087	X	1	Gearcase, Front	9	0402-950		1	Flange, Output
2	1402-620		2	Bladder, Gearcase	10	8408-820		4	Screw, Cap
3	0423-315		2	Clamp, Hose	11	0423-393		2	Clamp
4	8428-002		4	Nut, Lock	12	0402-985		2	Boot
5	0423-426		8	Washer	13	0423-411		2	Clamp
6	0423-404		4	Screw, Cap	14	0673-618		2	Bumper, Propeller Shaft
7	0402-966		1	Boot, Shaft	15	1402-233		1	Shaft, Propeller
8	1402-026		2	Spring	16	2502-088	X	1	Gearcase, Rear



FRONT DRIVE GEARCASE ASSEMBLY

0745-863

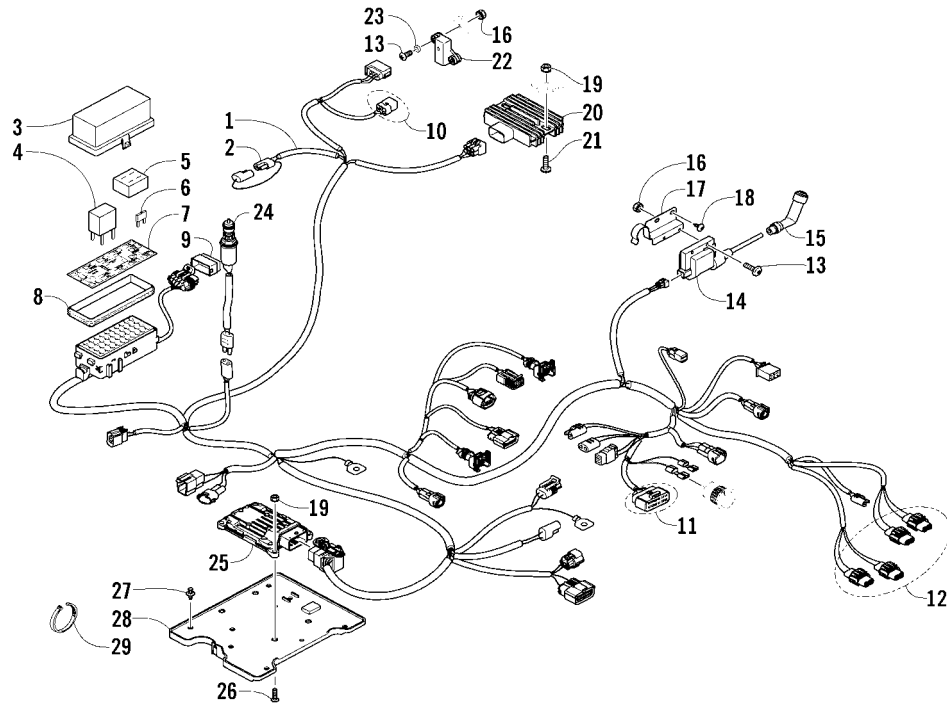
Ref	Part No.	New	Qty	Description	Ref	Part No.	New	Qty	Description
-	2502-087	X	1	Complete Front Drive Gearcase Assembly	32	0402-328		1	Bearing
1	1502-084		1	Shaft, Propeller - Assembly (inc. 2-6)	33	0402-411		1	Pin, Dowel
2	0423-411		1	● Clamp	34	1402-210		1	Plug, Magnetic (inc. one No. 35)
3	0402-985		1	● Boot, Propeller Shaft	35	0423-153		2	● O-Ring
4	0423-393		1	● Clamp	36	0423-149		1	O-Ring
5	1402-046		1	● Shaft, Output	37	0402-393		1	Bearing
6	1502-085		1	● Shaft, Input	38	0402-405		AR	Shim, 41 x 49 x 1.3 mm
7	1402-011		1	Seal		0402-406		AR	Shim, 41 x 49 x 1.4 mm
8	0423-423		1	Ring, Retaining		0402-407		AR	Shim, 41 x 49 x 1.5 mm
9	1502-237		1	Bracket, Actuator		0402-408		AR	Shim, 41 x 49 x 1.6 mm
10	1502-909		1	Actuator (inc. 11)		0402-409		AR	Shim, 41 x 49 x 1.7 mm
11	1402-981		1	● O-Ring	39	1502-859		1	Gear, Ring - 34T
12	0423-892		1	O-Ring	40	1402-074		AR	Shim, 61 x 69 x 1.3 mm
13	0423-396		3	Screw, Self-Tapping		1402-075		AR	Shim, 61 x 69 x 1.4 mm
14	1402-043		1	Bearing		1402-076		AR	Shim, 61 x 69 x 1.5 mm
15	0423-118		11	Screw, Self-Tapping		1402-077		AR	Shim, 61 x 69 x 1.6 mm
16	0502-528		1	Housing, Pinion		1402-078		AR	Shim, 61 x 69 x 1.7 mm
17	0402-947		1	Gasket, Flange	41	2502-104	X	1	Cover, Gearcase (inc. one No. 35, 42-52, and one No. 53)
18	0423-417		1	Ring, Retaining	42	1402-053		1	● Bearing
19	0402-997		1	Shaft, Selector	43	0502-413		1	● Flange, Bearing
20	0423-402		1	Ring, Retaining	44	1402-079		1	● Pin, Parallel
21	0402-998		1	Fork, Selector	45	1402-042		1	● Collar, Sliding
22	0402-417		1	Shaft, Shuttle	46	1402-054		1	● Fork
23	0423-147		1	O-Ring	47	1402-058		2	● Ring, Retaining
24	0402-999		1	Spring, Return	48	1402-057		1	● Spring
25	0402-413		1	Coupler, Drive	49	1402-063		1	● Spring
26	1423-067		1	Ring, Retaining	50	1402-656		1	● Shaft, Lock
27	1502-851		1	Gear, Pinion - Assembly - 11T (inc. 28-29)	51	1402-211		1	● Plug, Oil Level (inc. one No. 35)
28	1402-977		1	● Collar, Retaining	52	1402-056		1	● Seal
29	0402-327		1	● Bearing	53	2402-150	X	2	● Seal
30	1502-856		1	Housing, Gearcase	54	0402-333		1	Plug, Fill (inc. 55)
31	2402-160	X	1	Fitting, Elbow	55	0423-154		1	● O-Ring



REAR DRIVE GEARCASE ASSEMBLY

0745-864

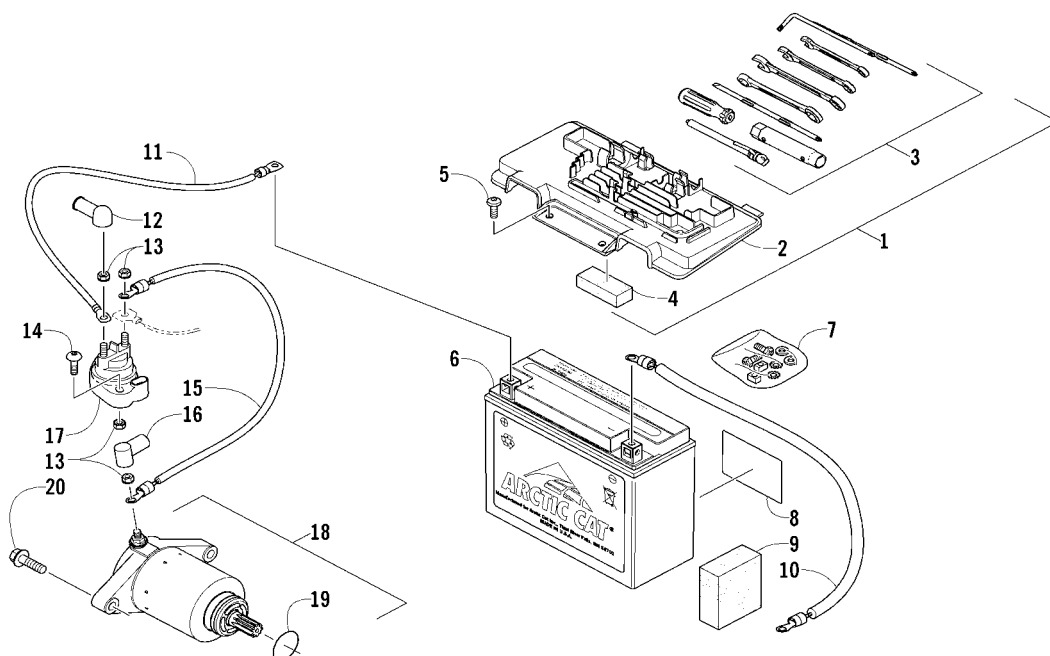
Ref	Part No.	New	Qty	Description	Ref	Part No.	New	Qty	Description
-	2502-088	X	1	Complete Rear Drive Gearcase Assembly	12	0402-333		1	Plug, Magnetic (inc. 13)
1	1502-896		1	Housing, Gearcase	13	0423-154		1	● O-Ring
2	2402-162	X	1	Fitting, Elbow	14	1402-211		1	Plug, Oil Level (inc. one No. 15)
3	2402-150	X	2	Seal	15	0423-153		2	● O-Ring
4	0402-393		2	Bearing	16	1402-210		1	Plug, Fill (inc. one No. 15)
5	1402-033		1	Gear, Ring - 34T	17	0402-411		1	Pin, Dowel
6	0402-405	AR		Shim, 41 x 49 x 1.3 mm	18	0402-328		1	Bearing
	0402-406	AR		Shim, 41 x 49 x 1.4 mm	19	1502-851		1	Gear, Pinion - Assembly - 11T (inc. 20-21)
	0402-407	AR		Shim, 41 x 49 x 1.5 mm	20	0402-327		1	● Bearing
	0402-408	AR		Shim, 41 x 49 x 1.6 mm	21	1402-977		1	● Collar, Retaining
	0402-409	AR		Shim, 41 x 49 x 1.7 mm	22	1423-067		1	Ring, Retaining
7	0423-149		1	O-Ring	23	0402-982		1	Washer, Wave
8	1502-897		1	Cover, Gearcase	24	0402-981		1	Collar, Shaft
9	0402-429	AR		Shim, 6.3 x 18 x 1.3 mm	25	0402-947		1	Gasket, Flange
	0402-430	AR		Shim, 6.3 x 18 x 1.4 mm	26	0502-529		1	Housing, Pinion
	0402-431	AR		Shim, 6.3 x 18 x 1.5 mm	27	0423-417		1	Ring, Retaining
	0402-432	AR		Shim, 6.3 x 18 x 1.6 mm	28	1402-043		1	Bearing
	0402-433	AR		Shim, 6.3 x 18 x 1.7 mm	29	0423-423		1	Ring, Retaining
10	0402-326		1	Button, Thrust	30	1402-011		1	Seal
11	0423-118		11	Screw, Self-Tapping	31	1502-085		1	Shaft, Input



WIRING HARNESS ASSEMBLY

0747-509

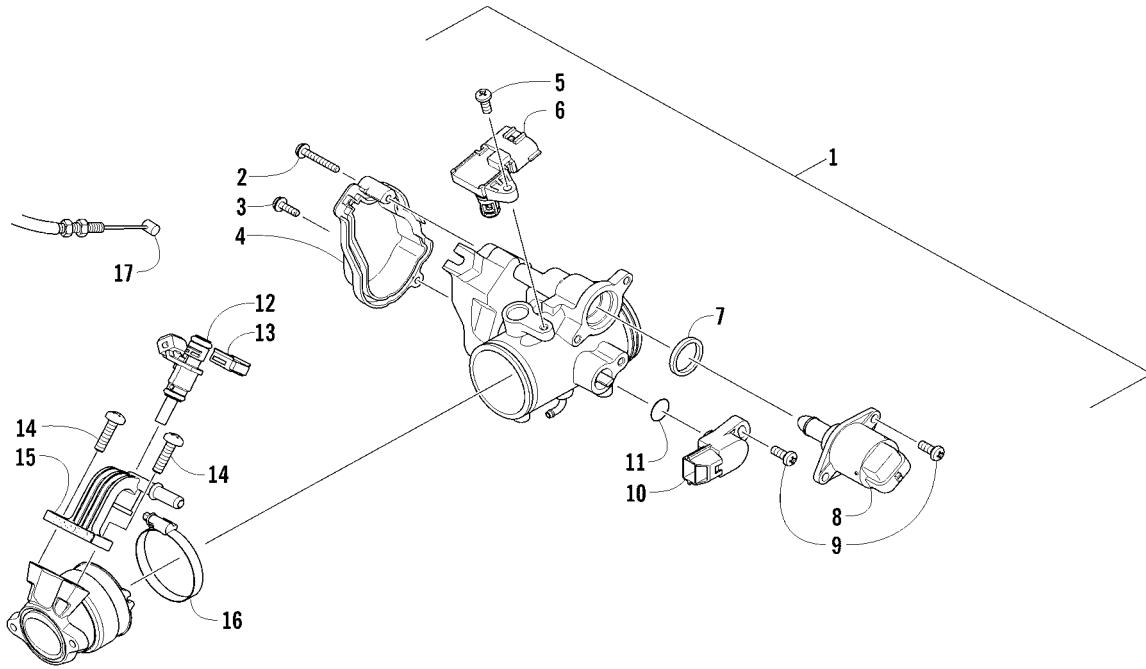
Ref	Part No.	New	Qty	Description	Ref	Part No.	New	Qty	Description
1	0486-479	X	1	Harness, Main (inc. 2-9)	15	0824-056		1	● Cap, Spark Plug
2	0486-164		1	● Tether, Accessory Connector	16	0423-493		4	Nut w/Washer
3	0430-085		1	● Cover, Fuse Block	17	2516-566		1	Bracket, Mounting - Coil
4	0430-045		2	● Relay (4-Pin) - 20 Amp	18	0623-309		2	Screw, Self-Tapping
	0430-033		1	● Relay (5-Pin) - 30 Amp	19	0623-038		6	Nut w/Washer
5	0430-037		1	● Holder, Fuse	20	0824-037		1	Regulator, Voltage
6	0430-032		7	● Fuse - 10 Amp	21	8476-625		2	Screw, Machine
	0430-031		3	● Fuse - 15 Amp	22	0409-064		1	Sensor, Tilt
	0430-030		3	● Fuse - 30 Amp	23	0123-802		2	Washer
7	3411-968	X	1	● Decal, Fuse Block	24	0409-089		1	Switch, Brake - Assembly
8	0430-086		1	● Seal	25	0530-118	X	1	ECM
9	0430-103		1	● Cover, Diagnostics Connector	26	8476-620		4	Screw, Machine
10	1436-416		1	Repair Kit, Connector - Tilt Sensor	27	0623-362		4	Rivet, Reinstallable
11	1436-818	X	1	Repair Kit, Connector - LCD Gauge	28	2416-181		1	Tray, Electrical
12	1436-290	AR	1	Repair Kit, Connector - Headlight	29	0123-788		AR	Tie, Cable - 8 in.
13	8468-425		4	Screw, Machine		0123-903		AR	Tie, Cable - 11.5 in.
14	0824-070		1	Coil, Ignition (inc. 15)					



BATTERY AND STARTER ASSEMBLY

0747-111

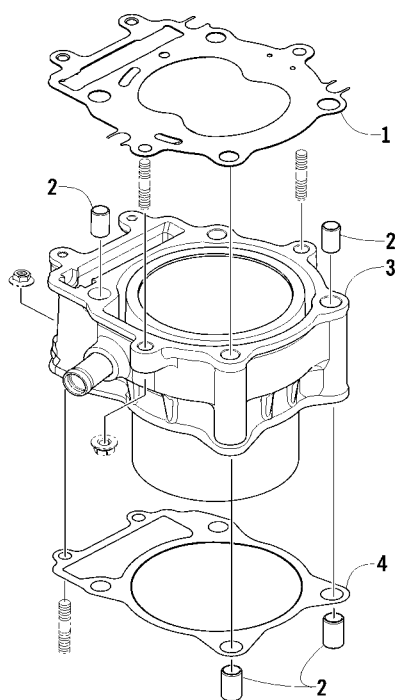
Ref	Part No.	New Qty	Description	Ref	Part No.	New Qty	Description
1	5993-040	1	Battery Cover/Tool Tray Assembly (inc. 2-4)	11	0445-062	1	Cable, Battery/Solenoid
2	4406-136	1	● Cover, Battery	12	0645-327	1	Boot, Terminal
3	0444-122	1	● Kit, Tool	13	0623-038	5	Nut w/Washer
4	0417-016	1	● Pad, Battery	14	8476-625	2	Screw, Machine
5	8476-620	2	Screw, Machine	15	0445-064	1	Cable, Solenoid/Starter (inc. 16)
6	0645-480	1	Battery Assembly (inc. 7-8)	16	0645-019	1	● Boot, Terminal
7	0445-082	1	● Kit, Hardware	17	0445-058	1	Solenoid
8	0645-430	1	● Decal, Warning	18	3305-954	1	Motor, Starter - Assembly (inc. 19)
9	0417-012	1	Foam, Battery	19	3304-104	1	● O-Ring
10	0445-079	1	Cable, Battery/Ground	20	3305-946	2	Screw, Cap



THROTTLE BODY ASSEMBLY

0746-064

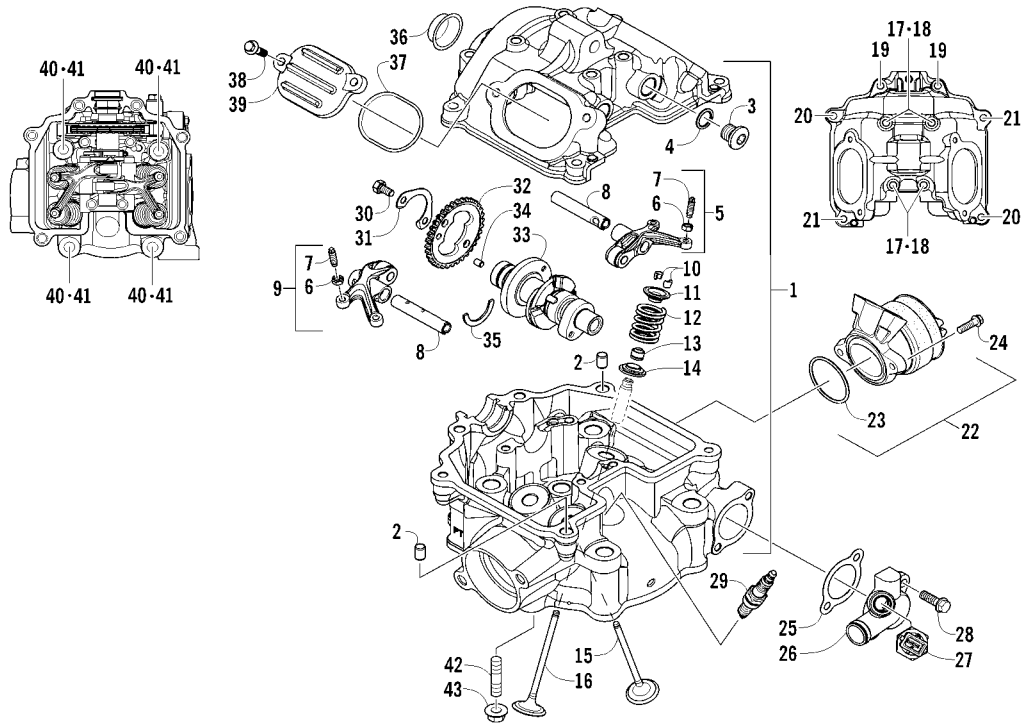
Ref	Part No.	New Qty	Description	Ref	Part No.	New Qty	Description
1	0570-328	1	Throttle Body - Assembly (inc. 2-11)	10	0824-053	1	● Sensor, Throttle Position (inc. 11)
2	3306-267	1	● Screw, Machine	11	3306-150	1	●● O-Ring
3	3306-266	1	● Screw, Machine	12	0470-884	1	Injector, Fuel
4	0824-060	1	● Cover	13	0470-889	1	Clip, Retaining
5	0835-007	1	● Screw, Machine	14	8468-620	2	Screw, Machine
6	0824-052	1	● Sensor, MAP	15	0470-885	1	Rail, Fuel
7	0832-088	1	● Seal	16	0423-019	1	Clamp
8	0824-054	1	● Valve, By-Pass - Idle Air	17	0487-076	1	Cable, Throttle
9	3305-953	3	● Screw, Machine				



CYLINDER ASSEMBLY

0745-155

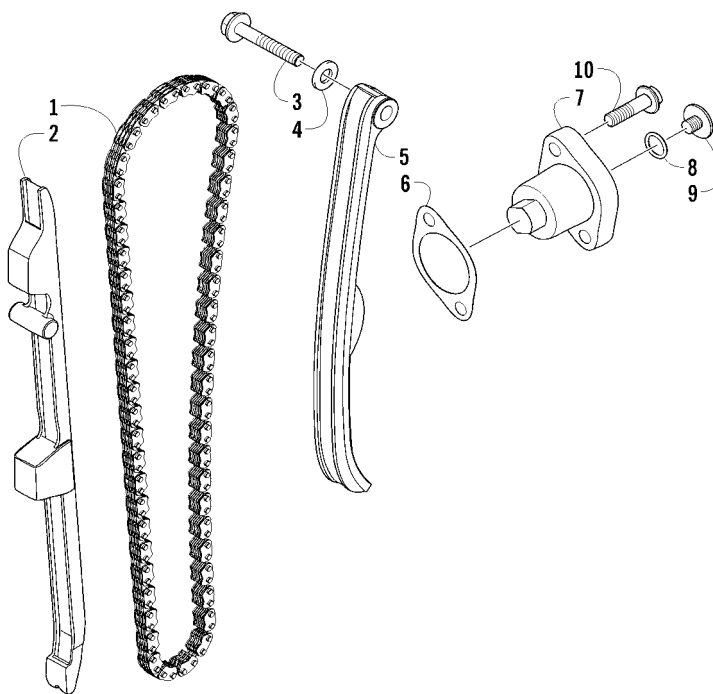
Ref	Part No.	New	Qty	Description	Ref	Part No.	New	Qty	Description
1	0830-203		1	Gasket, Cylinder Head	3	0804-056		1	Cylinder
2	0829-046		4	Pin, Dowel	4	0830-204		1	Gasket, Cylinder



CYLINDER HEAD AND CAMSHAFT/VALVE ASSEMBLY

0745-134

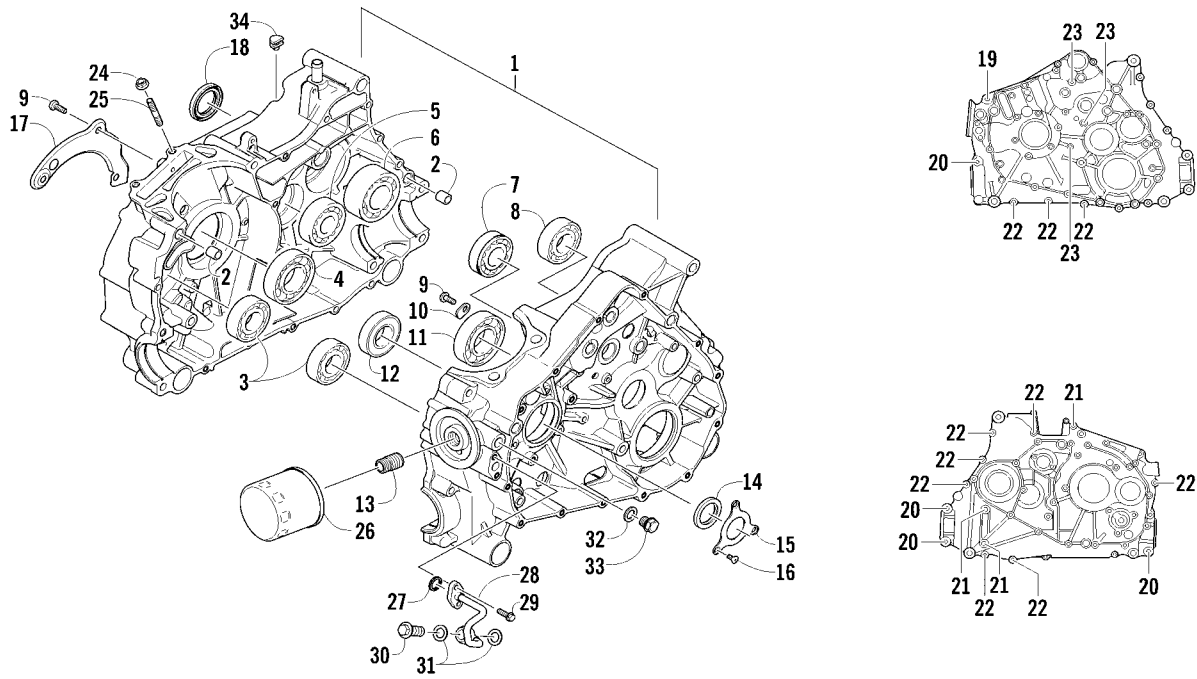
Ref	Part No.	New Qty	Description	Ref	Part No.	New Qty	Description
1	0808-205	1	Head, Cylinder (inc. 2-17)	23	0830-202	1	● O-Ring
2	3303-341	2	● Pin, Dowel	24	3304-189	2	Screw, Cap
3	0831-053	2	● Plug, Shaft	25	0830-200	1	Gasket
4	0830-143	2	● Gasket	26	0806-121	1	Fitting, Coolant - Assembly
5	0809-254	1	● Arm, Valve Rocker - Intake (inc. 6-7)	27	0808-196	1	Sensor, Engine Coolant Temperature
6	3304-026	4	●● Nut	28	3303-617	2	Screw, Cap
7	3304-007	4	●●● Screw, Adjuster	29	0217-708	1	Spark Plug - CR7E
8	0809-256	2	● Shaft, Rocker Arm	30	0826-154	2	Screw, Cap
9	0809-252	1	● Arm, Valve Rocker - Exhaust (inc. 6-7)	31	0828-086	1	Plate, Retainer
10	3303-044	8	● Cotter, Valve	32	0809-259	1	Sprocket
11	0809-142	4	● Retainer, Spring	33	3306-247	1	Camshaft (inc. 34)
12	0809-257	4	● Spring, Valve	34	0829-036	1	● Pin, Alignment
13	0809-190	4	● Seal, Oil	35	0809-165	1	C-Ring
14	0809-141	4	● Seat, Spring	36	3306-787	X 1	Plug, Head
15	0809-266	2	● Valve, Exhaust	37	0830-139	2	O-Ring
16	0809-263	2	● Valve, Intake	38	3303-383	4	Screw, Cap
17	3304-904	4	● Screw, Cap	39	0808-111	2	Cap, Inspection
18	0830-155	4	Gasket	40	0826-062	4	Screw, Cap
19	3304-918	2	Screw, Cap	41	0828-044	4	Washer
20	0826-136	2	Screw, Cap	42	0827-064	2	Bolt, Stud
21	3303-384	2	Screw, Cap	43	3303-332	2	Nut
22	0570-304	1	Manifold, Intake (inc. 23)				



CAM CHAIN ASSEMBLY

0745-157

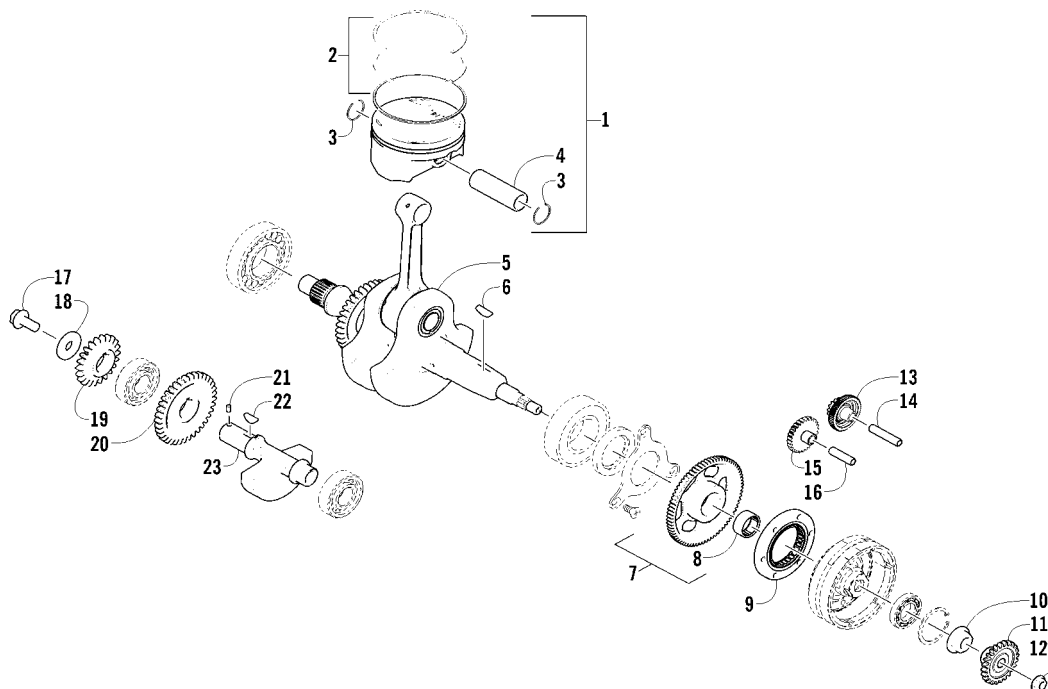
Ref	Part No.	New Qty	Description	Ref	Part No.	New Qty	Description
1	0810-005	1	Chain, Cam	6	3303-035	1	Gasket
2	0810-068	1	Guide, Chain	7	3303-677	1	Adjuster, Tensioner - Assembly
3	0826-133	1	Pivot, Tensioner	8	3304-100	1	O-Ring
4	0830-150	1	Washer	9	3304-006	1	Screw, Adjuster
5	0810-007	1	Tensioner, Chain	10	3303-360	2	Screw, Cap



CRANKCASE ASSEMBLY

0745-866

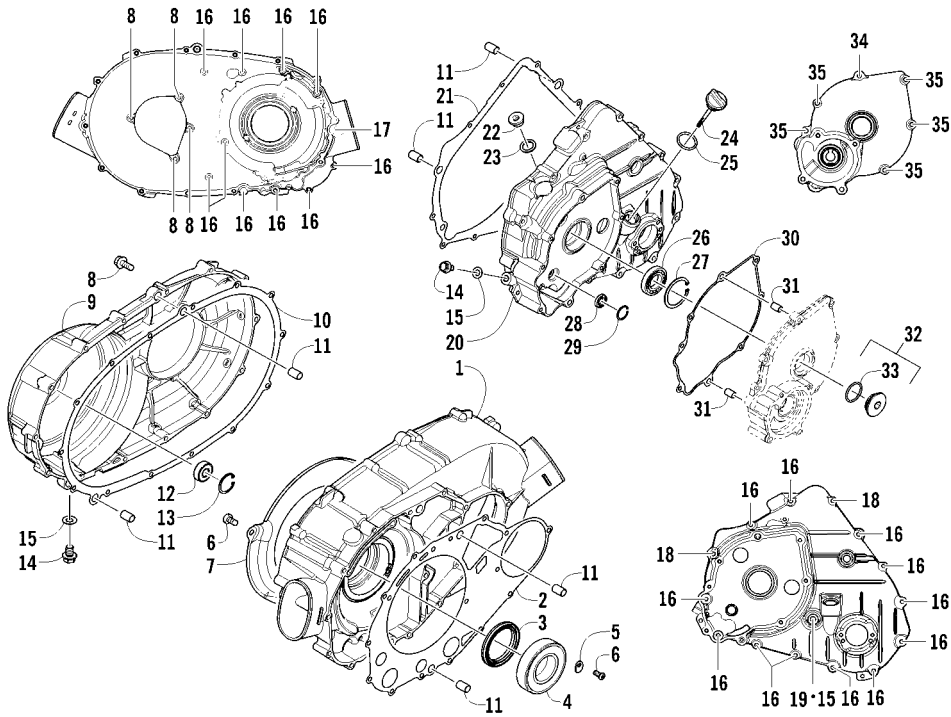
Ref	Part No.	New Qty	Description	Ref	Part No.	New Qty	Description
1	0801-191	1	Crankcase - Assembly (inc. 2-21)	18	0830-066	1	● Seal
2	0829-050	2	● Pin, Dowel	19	3303-372	1	● Screw, Cap
3	3313-745	2	● Bearing	20	0826-126	4	● Screw, Cap
4	0832-087	1	● Bearing	21	0826-064	3	● Screw, Cap
5	3304-198	1	● Bearing	22	3303-387	10	Screw, Cap
6	0832-074	1	● Bearing	23	0826-065	3	Screw, Cap
7	3304-195	1	● Bearing	24	3304-654	2	Nut, Lock
8	3304-699	1	● Bearing	25	3313-721	2	Bolt, Stud
9	0826-144	6	● Screw, Machine	26	0812-034	1	Filter, Oil
10	0822-104	2	● Retainer, Bearing	27	0830-172	1	O-Ring
11	0832-019	1	● Bearing	28	0812-086	1	Oilline
12	0832-020	1	● Bearing	29	3303-617	2	Screw, Cap
13	0812-066	1	● Union, Oil Filter	30	0812-084	1	Bolt, Banjo-Fitting
14	0830-058	1	● Seal	31	0812-085	2	Washer
15	0805-018	1	● Retainer	32	0830-143	1	Gasket
16	0826-145	3	● Screw, Machine	33	0835-004	1	Plug, Oil Pressure
17	0801-018	1	● Plate, Oil Guide - Right	34	3313-744	1	Grommet



CRANKSHAFT, BALANCER, STARTER GEAR, AND PISTON ASSEMBLIES

0745-160

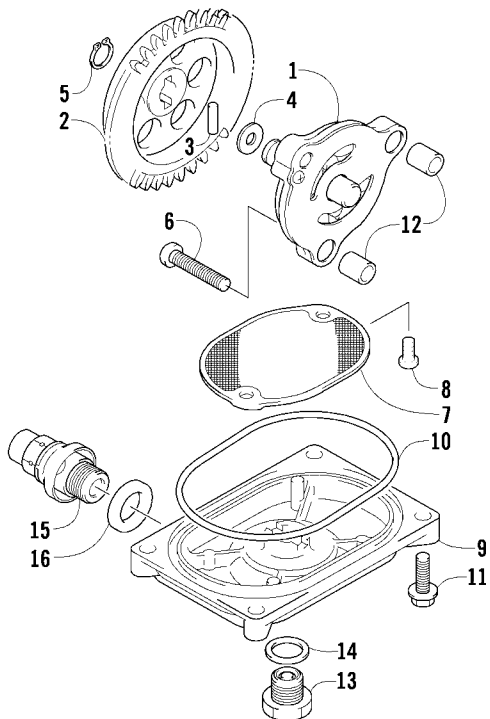
Ref	Part No.	New Qty	Description	Ref	Part No.	New Qty	Description
1	0805-333	1	Piston Set (inc. 2-4)	13	0815-031	1	Gear, Starter Idler - No. 1
2	0805-320	1	● Ring, Piston - Set	14	0815-007	1	Pin, Starter Idler Gear No. 1
3	0831-060	2	● Circlip	15	0815-022	1	Gear, Starter Idler - No. 2
4	0805-023	1	● Pin, Piston	16	0815-015	1	Pin, Starter Idler Gear No. 2
5	0805-013	1	Crankshaft Assembly	17	0826-118	1	Screw, Cap
6	0829-039	1	Key	18	0828-091	1	Washer
7	0815-023	1	Gear, Starter Clutch (inc. 8)	19	0811-009	1	Gear, Oil Pump Drive
8	0832-069	1	● Bearing	20	0811-006	1	Gear, Driven
9	0802-044	1	Clutch, One-Way	21	3304-144	1	Pin, Alignment
10	3306-705	1	Nut	22	0829-037	1	Key
11	0811-036	1	Gear, Drive	23	0811-035	1	Balancer, Crank
12	3303-333	1	Nut				



CLUTCH/DRIVE BELT/MAGNETO COVER ASSEMBLY

0745-196

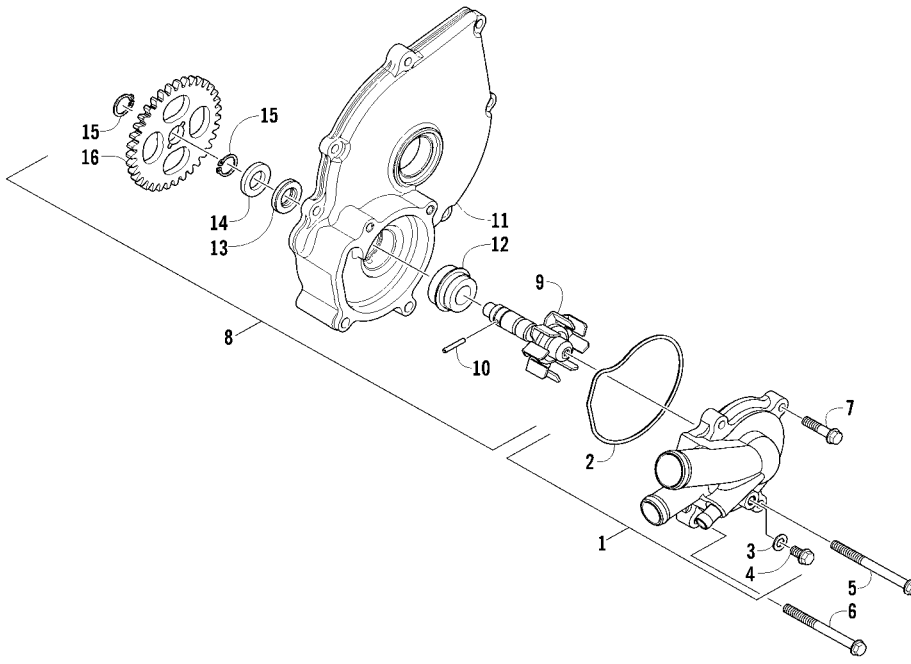
Ref	Part No.	New	Qty	Description	Ref	Part No.	New	Qty	Description
1	0806-026		1	Cover, Clutch	19	0826-068		1	Screw, Cap
2	0830-055		1	Gasket	20	0806-122		1	Cover, Magneto
3	0830-157		1	Seal	21	0830-057		1	Gasket
4	0832-071		1	Bearing	22	0806-099		1	Plug
5	0822-104		2	Retainer, Bearing	23	0830-141		1	Washer, Crush
6	0826-144		5	Screw, Machine	24	0806-029		1	Stick, Oil Level (inc. 25)
7	0806-103		1	Plate, Air Intake	25	3304-102		1	● O-Ring, Oil Level Stick
8	3303-386		18	Screw, Cap	26	0832-053		1	Bearing
9	0806-027		1	Cover, Drive Belt	27	3305-943		1	Ring, Retaining
10	0830-056		1	Gasket	28	3305-944		1	Bearing
11	0829-046		6	Pin, Dowel	29	3305-942		1	Ring, Retaining
12	0832-023		1	Bearing	30	0830-206		1	Gasket
13	3303-347		1	Circlip	31	3301-716		2	Pin, Dowel
14	3303-365		2	Plug, Drain	32	0812-087		1	Cap, Inspection (inc. 33)
15	3303-591		3	Gasket, Drain Plug	33	0835-016		1	● O-Ring
16	3304-903		22	Screw, Cap	34	0826-136		1	Screw, Cap
17	0826-066		1	Screw, Cap	35	3303-383		5	Screw, Cap
18	3304-191		2	Screw, Cap					



OIL PUMP AND STRAINER ASSEMBLY

0743-030

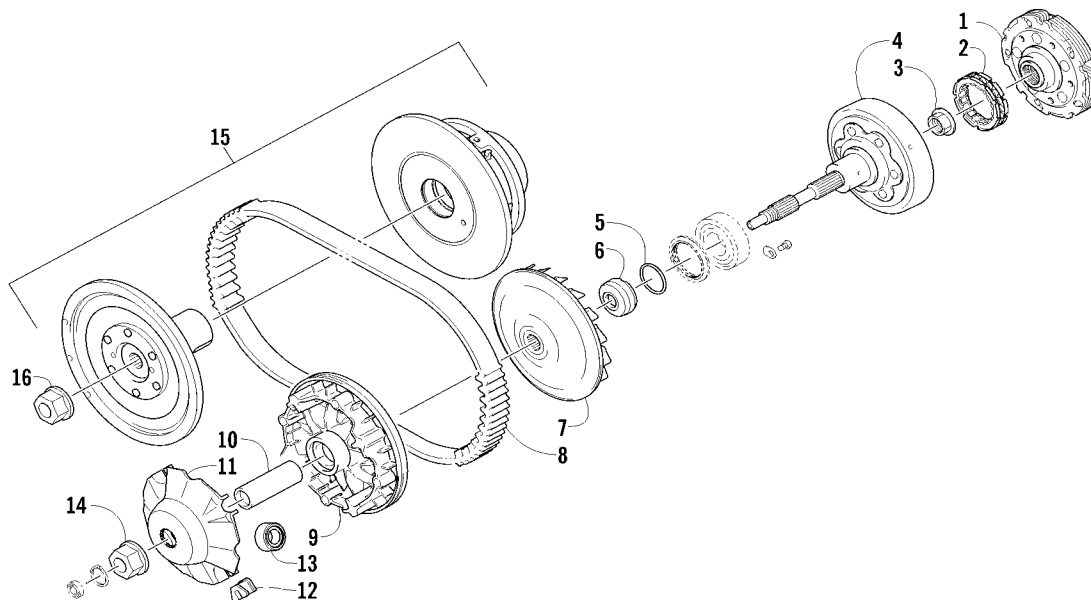
Ref	Part No.	New	Qty	Description	Ref	Part No.	New	Qty	Description
1	0812-069		1	Pump, Oil	9	0812-038		1	Cap, Oil Strainer
2	0812-010		1	Gear, Driven	10	0830-159		1	O-Ring
3	0812-036		1	Pin, Dowel	11	3303-384		4	Screw, Cap
4	0828-007		1	Washer	12	0829-033		2	Pin, Dowel
5	3304-146		1	Ring, Retaining	13	0812-065		1	Plug, Drain
6	0826-131		3	Screw, Machine	14	0830-143		1	Gasket
7	0812-049		1	Strainer, Oil	15	0812-067		1	Valve, Oil-Relief - Assembly (inc. 16)
8	3313-722		2	Screw, Cap	16	0830-181		1	● O-Ring



WATER PUMP ASSEMBLY

0745-190

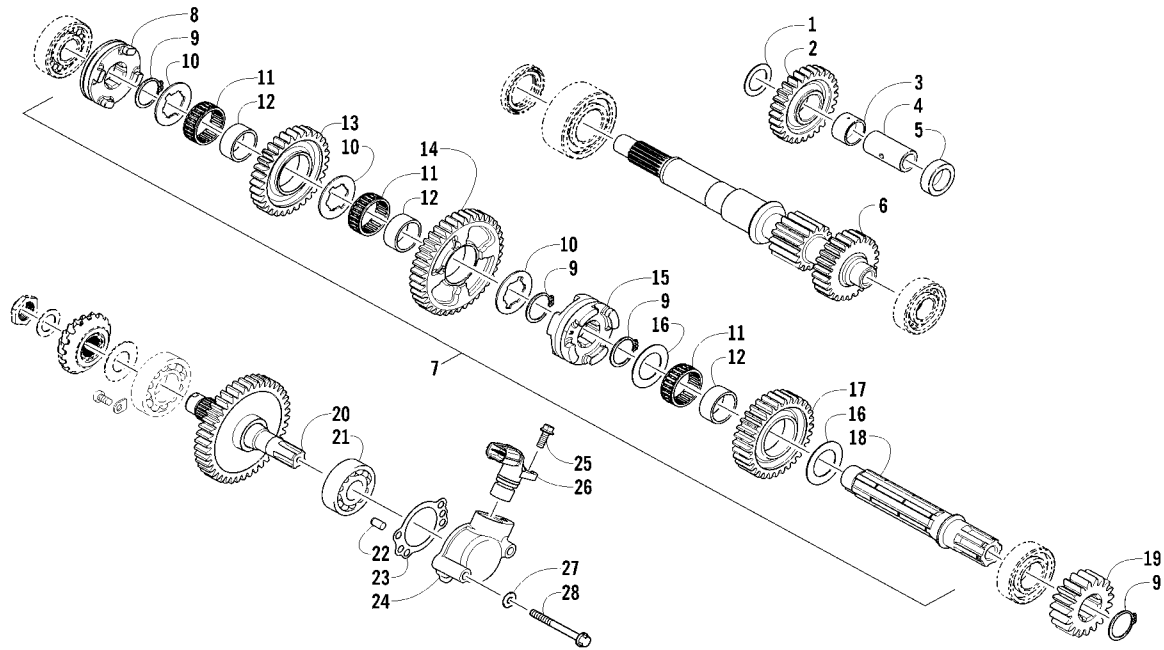
Ref	Part No.	New	Qty	Description	Ref	Part No.	New	Qty	Description
1	0813-054		1	Cover, Water Pump - Assembly (inc. 2-4)	9	0813-057		1	● Shaft, Impeller - Assembly
2	0830-208		1	● O-Ring	10	0829-057		1	● Pin, Alignment
3	3304-049		1	● Washer	11	0806-123		1	● Housing, Water Pump
4	3304-186		1	● Screw, Cap	12	3305-940		1	● Seal, Mechanical
5	0826-065		1	Screw, Cap	13	0830-207		1	● Seal, Oil
6	0826-151		1	Screw, Cap	14	0828-130		1	● Washer, Thrust
7	3303-384		2	Screw, Cap	15	0831-089		2	● Circlip
8	0813-051		1	Housing, Water Pump - Assembly (inc. 9-16)	16	0811-037		1	● Gear, Driven



CLUTCH AND DRIVE BELT ASSEMBLY

0745-229

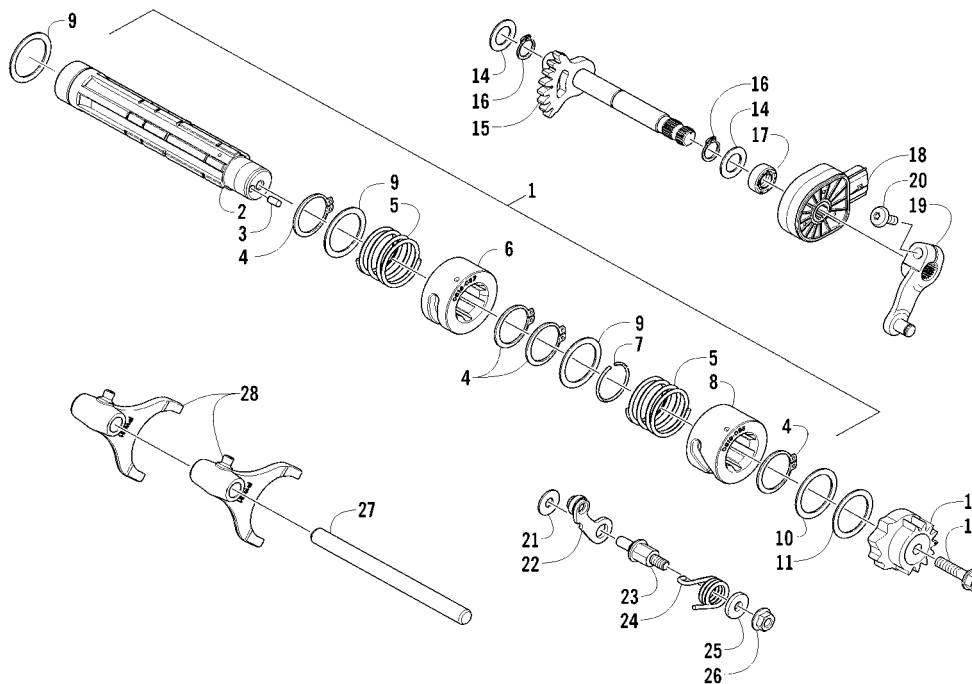
Ref	Part No.	New Qty	Description	Ref	Part No.	New Qty	Description
1	0823-328	1	Shoe, Clutch - Assembly	9	0823-324	1	Face, Movable Drive
2	0823-198	1	Clutch, One-Way	10	0823-206	1	Spacer
3	0827-050	1	Nut	11	0823-213	1	Plate, Movable Drive Face
4	0823-338	1	Housing, Clutch	12	0823-214	4	Damper, Movable Drive Face
5	0830-187	1	O-Ring	13	0823-351	8	Roller, Movable Drive Face
6	0823-058	1	Spacer	14	3323-165	1	Nut
7	0823-313	1	Face, Fixed Drive	15	0823-350	1	Clutch, Driven - Assembly
8	0823-228	1	Belt, Drive	16	0827-058	1	Nut



SECONDARY TRANSMISSION ASSEMBLY

0745-182

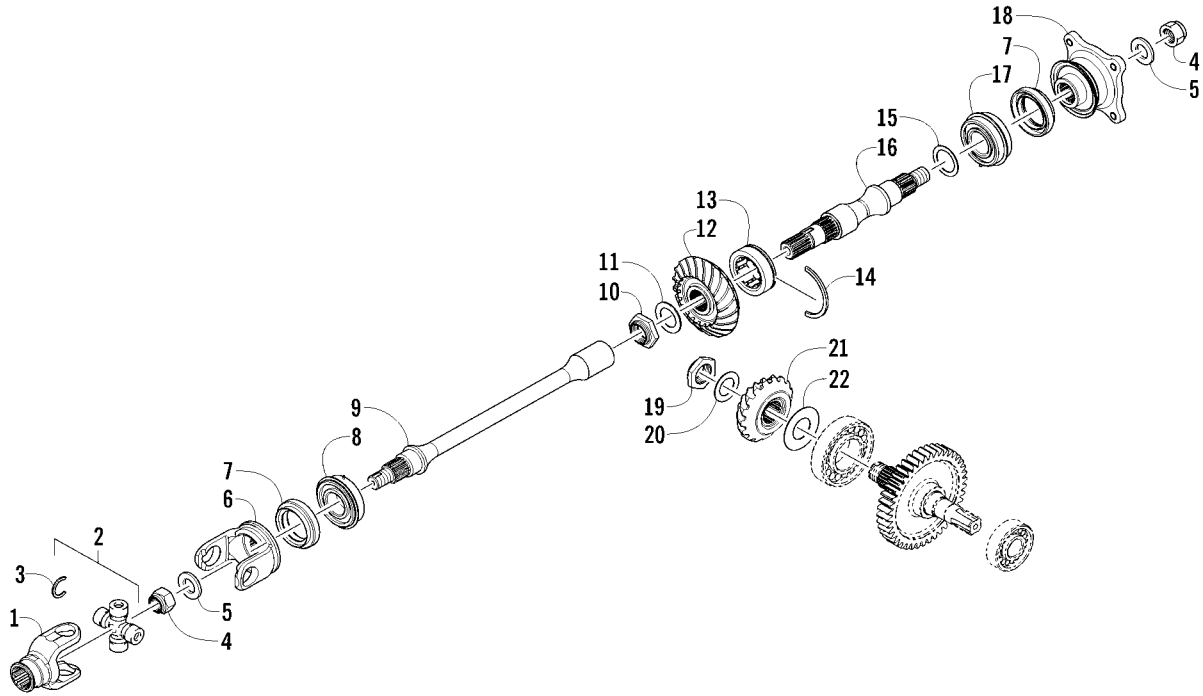
Ref	Part No.	New	Qty	Description	Ref	Part No.	New	Qty	Description
1	0828-081		1	Washer	15	3306-847	X	1	● Gear Select, Sliding
2	0822-061		1	Gear, Reverse Idle	16	3304-044		2	● Washer, Thrust
3	0822-065		1	Bushing	17	3306-848	X	1	● Gear, Driven - High
4	0822-064		1	Shaft, Reverse Idle	18	0822-025		1	● Countershaft
5	0822-029		1	Spacer	19	0822-028		1	Gear, Drive
6	0822-128		1	Driveshaft	20	0822-023		1	Shaft, Output
7	3306-849	X	1	Countershaft Assembly (inc. 8-18)	21	3304-198		1	Bearing
8	3306-844	X	1	● Gear Select, Reverse	22	3303-395		2	Pin, Dowel
9	3304-147		4	● Circlip	23	0830-156		1	Gasket, Housing
10	3304-045		3	● Washer	24	0822-105		1	Housing, Speedometer Sensor
11	0832-038		3	● Bearing	25	3303-382		1	Screw, Cap
12	0822-062		3	● Bushing	26	3313-172		1	Sensor, Speedometer
13	3306-845	X	1	● Gear, Reverse Driven	27	0830-155		2	Gasket
14	3306-846	X	1	● Gear, Driven - Low	28	3303-387		2	Screw, Cap



GEAR SHIFTING ASSEMBLY

0745-176

Ref	Part No.	New	Qty	Description	Ref	Part No.	New	Qty	Description
1	3306-853	X	1	Shaft, Gear Shift - Assembly (inc. 2-8 and two No. 9)	15	0818-113	1	1	Shaft, Sub-Gear Shift (inc. 16)
2	3306-852	X	1	● Shaft, Gear Shift	16	0831-056	2	2	● Circlip
3	3304-439		1	● Pin, Dowel	17	0830-179	1	1	Seal
4	3304-147		4	● Circlip	18	0409-125	1	1	Switch, Gear Position
5	0818-060		2	● Spring	19	0818-014	1	1	Arm, Select
6	3306-851	X	1	● Cam, Reverse	20	8468-620	1	1	Screw, Machine
7	0831-016		1	● C-Ring	21	0828-083	1	1	Washer
8	3306-850	X	1	● Cam, Gear Shift	22	0818-084	1	1	Stopper, Cam
9	0828-079		3	● Washer	23	0818-062	1	1	Support, Cam Stopper
10	0828-081		1	Washer, Thrust	24	0818-109	1	1	Spring
11	0828-080		1	Washer, Thrust	25	0828-082	1	1	Washer
12	0818-061		1	Plate, Gear Shift Cam	26	3304-654	1	1	Nut, Lock
13	3304-569		1	Screw, Cap	27	0818-021	1	1	Shaft, Shift Fork
14	0828-084		2	Washer	28	0818-088	2	2	Fork, Shift



SECONDARY DRIVE ASSEMBLY

0745-175

Ref	Part No.	New	Qty	Description	Ref	Part No.	New	Qty	Description
1	3306-649	X	1	Yoke, Propeller Shaft Joint	16	0819-021		1	Shaft, Secondary Driven
2	3306-652	X	1	Joint, Universal - Set	17	0832-041		1	Bearing
3	3306-651	X	4	Clip, Retaining	18	0819-022		1	Flange, Output Joint
4	3306-428		2	Nut	19	0827-047		1	Nut
5	3306-226		2	Washer	20	3304-042		1	Washer, Thrust
6	0819-071		1	Yoke, Drive Output	21	0819-018		1	Gear, Secondary Drive
7	0830-144		2	Seal, Oil	22	3306-009		AR	Shim, 30 x 48 x 0.60 mm
8	0832-026		1	Bearing		3306-010		AR	Shim, 30 x 48 x 0.65 mm
9	0819-020		1	Shaft, Secondary Driven		3306-011		AR	Shim, 30 x 48 x 0.70 mm
10	0827-022		1	Nut		3306-012		AR	Shim, 30 x 48 x 0.75 mm
11	0828-090		1	Washer		3306-013		AR	Shim, 30 x 48 x 0.80 mm
12	0819-019		1	Gear, Secondary Driven		3306-014		AR	Shim, 30 x 48 x 0.85 mm
13	0832-040		1	Bearing		3306-015		AR	Shim, 30 x 48 x 0.90 mm
14	0819-070		1	C-Ring		3306-016		AR	Shim, 30 x 48 x 0.95 mm
15	3305-955		AR	Shim, 25 x 34 x 0.60 mm		3306-017		AR	Shim, 30 x 48 x 1.00 mm
	3305-956		AR	Shim, 25 x 34 x 0.65 mm		3306-018		AR	Shim, 30 x 48 x 1.05 mm
	3305-957		AR	Shim, 25 x 34 x 0.70 mm		3306-019		AR	Shim, 30 x 48 x 1.10 mm
	3305-958		AR	Shim, 25 x 34 x 0.75 mm		3306-020		AR	Shim, 30 x 48 x 1.15 mm
	3305-959		AR	Shim, 25 x 34 x 0.80 mm		3306-021		AR	Shim, 30 x 48 x 1.20 mm
	3305-960		AR	Shim, 25 x 34 x 0.85 mm		3306-022		AR	Shim, 30 x 48 x 1.25 mm
	3305-961		AR	Shim, 25 x 34 x 0.90 mm					
	3305-962		AR	Shim, 25 x 34 x 0.95 mm					
	3305-963		AR	Shim, 25 x 34 x 1.00 mm					
	3305-964		AR	Shim, 25 x 34 x 1.05 mm					
	3305-965		AR	Shim, 25 x 34 x 1.10 mm					
	0828-088		AR	Shim, 25 x 34 x 1.15 mm					
	3305-966		AR	Shim, 25 x 34 x 1.20 mm					
	3305-967		AR	Shim, 25 x 34 x 1.25 mm					

