

2014 ARCTIC CAT®

ILLUSTRATED PARTS MANUAL



400

Model Number A2014IRG4BUSR

Model Number A2014IRG4BUSG

Model Number A2014IRG4BOSR - International

Model Number A2014IRG4BOSG - International

ARCTIC CAT®
SHARE OUR PASSION.™

www.arcticcat.com

TABLE OF CONTENTS

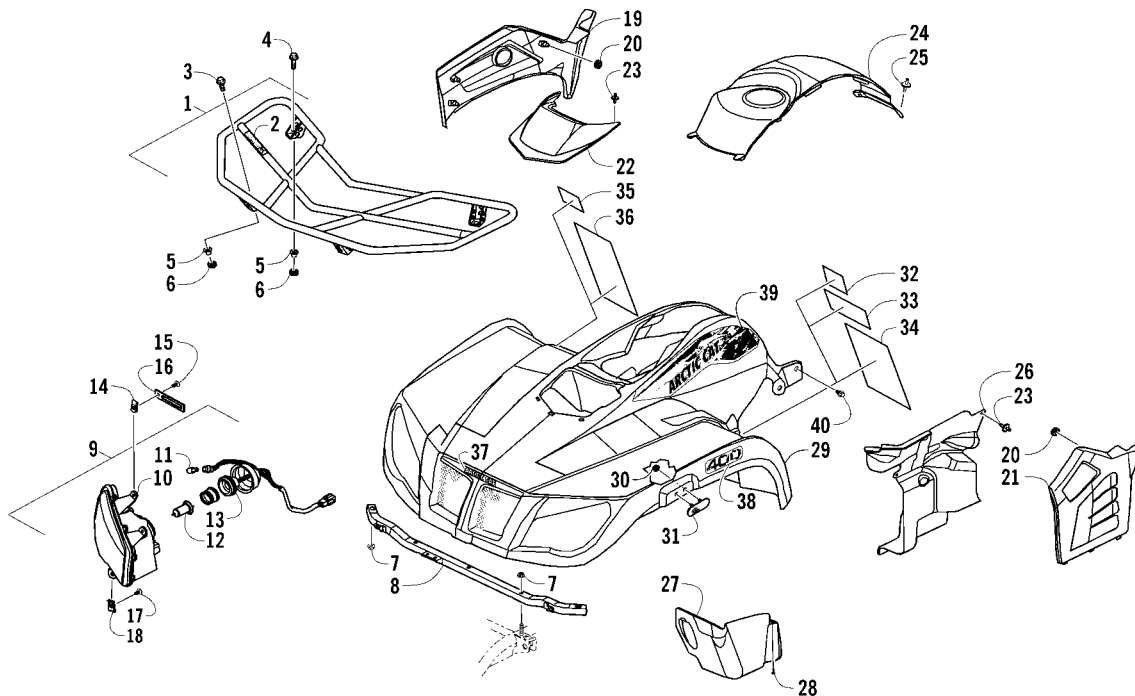
2014 ATV 400

(Model No. A2014IRG4BUSR) (Model No. A2014IRG4BOSR - Int.)

(Model No. A2014IRG4BUSG) (Model No. A2014IRG4BOSG - Int.)

FRONT BODY, RACK, AND HEADLIGHT ASSEMBLY	1
REAR BODY, RACK, AND TAILLIGHT ASSEMBLY	2
FRAME AND RELATED PARTS	3
SEAT ASSEMBLY	4
STEERING ASSEMBLY	5
HANDLEBAR ASSEMBLY	6
FRONT SUSPENSION ASSEMBLY	7
REAR SUSPENSION ASSEMBLY	8
WHEEL AND TIRE ASSEMBLY	9
HYDRAULIC BRAKE ASSEMBLY	10
GAS TANK ASSEMBLY	11
SHIFT LEVER ASSEMBLY	12
AIR INTAKE ASSEMBLY	13
ENGINE AND EXHAUST	14
OIL COOLER ASSEMBLY	15
CASE/BELT COOLING ASSEMBLY	16
DRIVE TRAIN ASSEMBLY	17
FRONT DRIVE GEARCASE ASSEMBLY	18
REAR DRIVE GEARCASE ASSEMBLY	19
WIRING HARNESS ASSEMBLY	20
BATTERY AND STARTER ASSEMBLY	21
CARBURETOR	22
CYLINDER ASSEMBLY	23
CYLINDER HEAD AND CAMSHAFT/VALVE ASSEMBLY	24
CAM CHAIN ASSEMBLY	25
CRANKCASE ASSEMBLY	26
CRANKSHAFT AND PISTON ASSEMBLY	27
CLUTCH/V-BELT/MAGNETO COVER ASSEMBLY	28
STARTER CLUTCH ASSEMBLY	29
CRANK BALANCER ASSEMBLY	30
OIL PUMP AND STRAINER ASSEMBLY	31
TRANSMISSION ASSEMBLY	32
SECONDARY TRANSMISSION ASSEMBLY	33
GEAR SHIFTING ASSEMBLY	34
SECONDARY DRIVE ASSEMBLY	35
MAGNETO ASSEMBLY	36

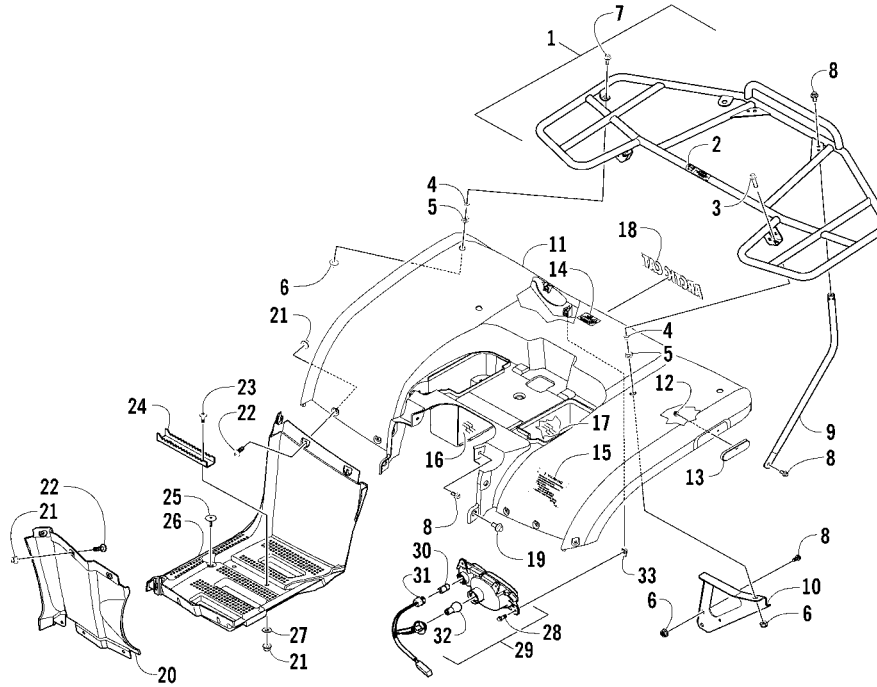
■ **NOTE:** The illustrations used in this Parts Manual are for reference to replacement part numbers only and are not to be used for assembly. For assembly procedures, use an Arctic Cat Service Manual. For a complete list of related items, refer to the current accessory catalog.



FRONT BODY, RACK, AND HEADLIGHT ASSEMBLY

0748-196

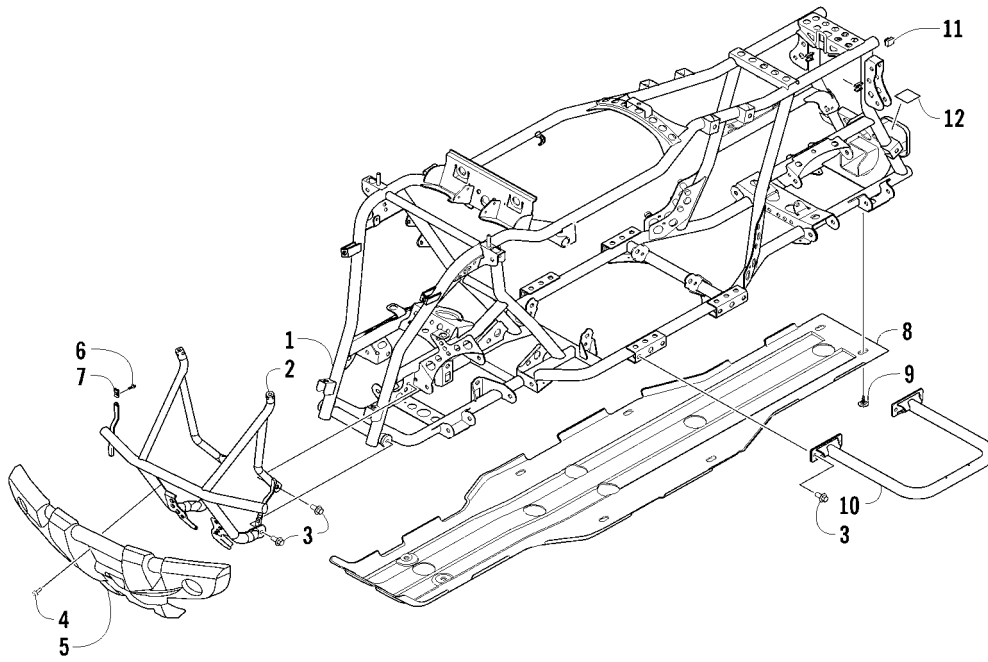
Ref	Part No.	New Qty	Description	Ref	Part No.	New Qty	Description
1	3306-330	1	Rack, Front - Assembly (inc. 2)	25	3304-057	2	Clip, Retaining
2	1411-681	1	● Decal, Warning - Load	26	3313-756	1	Panel, Splash - Front Right
3	3313-713	2	Screw, Cap		3313-757	1	Panel, Splash - Front Left
4	3313-522	2	Screw, Cap	27	3313-754	1	Shield, Linkage
5	0423-669	4	Spacer	28	3304-650	3	Screw, Self-Tapping
6	0423-465	4	Grommet	29	3306-282	1	Panel, Fender - Front - Red (inc. 30-36) (4BUSR/4BOSR)
7	3304-668	4	Nut, Lock		3306-399	1	Panel, Fender - Front - Green (inc. 30-36) (4BUSG/4BOSG)
8	3313-469	1	Tube, Mounting	30	3304-774	2	● Nut, Lock
9	3306-268	1	Headlight - Assembly - Right (inc. 10-13)	31	3313-359	2	● Reflector
	3306-269	1	Headlight - Assembly - Left (inc. 10-13)	32	0411-835	1	● Decal, Warning - Turn/Hill
10	3306-270	1	● Lens, Headlight - Right	33	1411-804	1	● Decal, Warning - Age
	3306-271	1	● Lens, Headlight - Left	34	1411-932	1	● Decal, Warning - General
11	3303-847	2	● Bulb	35	1411-574	1	● Decal, Warning - Off-Road Only
12	3303-846	2	● Bulb, Headlight	36	1411-250	1	● Decal, Warning - Reverse/Pre-Ride
13	3306-272	2	● Socket, Headlight - Assembly	37	2411-465	1	Decal, - "Arctic Cat"
14	3304-061	4	Clip, U-Nut	38	3411-540	X 2	Decal, - "400" (4BUSR/4BOSR)
15	3304-029	4	Screw, Cap		3411-612	X 2	Decal, - "400" (4BUSG/4BOSG)
16	3304-157	2	Clamp, Routing	39	3411-406	X 2	Decal, Side - Upper Right
17	3304-586	2	Screw, Cap		3411-407	X 2	Decal, Side - Upper Left
18	3303-267	2	Clip, U-Nut	40	3305-783	2	Screw, Cap
19	3313-752	1	Panel, Side - Lower - Right				
20	0423-678	10	Grommet				
21	3313-753	1	Panel, Side - Lower - Left				
22	3306-404	1	Cover, Access - Black				
23	3303-592	4	Clip, Retaining				
24	3306-280	1	Cover, Gas Tank - Red (4BUSR/4BOSR)				
	3306-397	1	Cover, Gas Tank - Green (4BUSG/4BOSG)				



REAR BODY, RACK, AND TAILLIGHT ASSEMBLY

0748-199

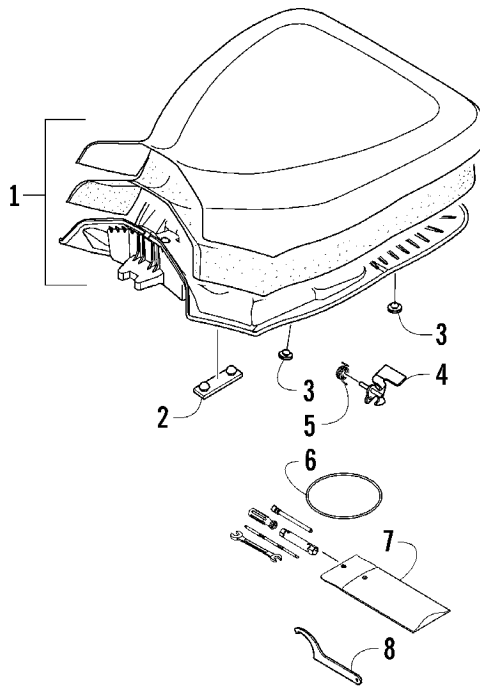
Ref	Part No.	New	Qty	Description	Ref	Part No.	New	Qty	Description
1	3306-759	X	1	Rack, Rear - Assembly (inc. 2)	17	3313-363		1	● Foil, Protective - Left
2	1411-682		1	● Decal, Warning - Load	18	2411-465		1	Decal, - "Arctic Cat"
3	8410-830		2	Screw, Cap	19	3305-783		2	Screw, Cap
4	0423-669		4	Spacer	20	3313-760		1	Footwell - Front - Right
5	0423-465		4	Grommet		3313-761		1	Footwell - Front - Left
6	3304-668		8	Nut, Lock	21	3304-431		22	Nut, Lock
7	3313-522		2	Screw, Cap	22	3305-703		18	Screw, Machine
8	3304-543		8	Screw, Cap	23	3304-586		4	Screw, Cap
9	3313-449		2	Tube, Mounting	24	5506-497	X	2	Footpeg
10	3313-352		1	Bracket, Mounting - Rear Rack - Right	25	0423-545		2	Screw, Shoulder
	3313-353		1	Bracket, Mounting - Rear Rack - Left	26	3313-762		1	Footwell - Rear - Right
11	3306-305		1	Panel, Fender - Rear - Red (inc. 12-17) (4BUSR/4BOSR)	27	3313-763		1	Footwell - Rear - Left
	3306-409		1	Panel, Fender - Rear - Green (inc. 12-17) (4BUSG/4BOSG)	28	3305-852		4	Washer
12	3304-774		2	● Nut, Lock	29	3304-029		8	Screw, Cap
13	3313-360		2	● Reflector		3313-382		1	Taillight Assembly - Right (inc. 30-32)
14	1411-809		1	● Decal, Warning - Passenger		3313-383		1	Taillight Assembly - Left (inc. 30-32)
15	1411-893		1	● Decal, Warning - Tire Pressure	30	3313-508		2	● Bulb, Backup
16	3313-362		1	● Foil, Protective - Right	31	3313-499		2	● Socket, Taillight - Assembly
					32	3303-849		2	● Bulb, Taillight
					33	3304-061		8	Clip, U-Nut



FRAME AND RELATED PARTS

0745-750

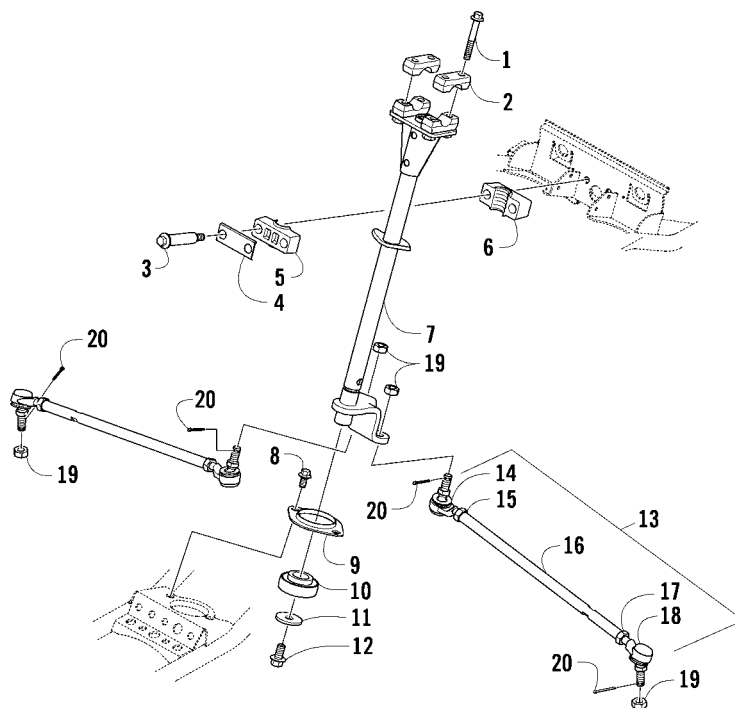
Ref	Part No.	New Qty	Description	Ref	Part No.	New Qty	Description
1	3313-855	1	Frame, Main	7	3303-267	2	Clip, U-Nut
2	3306-332	1	Bumper - Front	8	3313-755	1	Panel, Belly
3	3304-543	12	Screw, Cap	9	0423-545	10	Screw, Shoulder
4	3304-587	4	Screw, Cap	10	3313-351	2	Footrest
5	3306-289	1	Fascia, Bumper	11	3306-329	2	Cushion
6	3304-586	2	Screw, Cap	12	1411-077	1	Decal, Warning - Towing



SEAT ASSEMBLY

0746-216

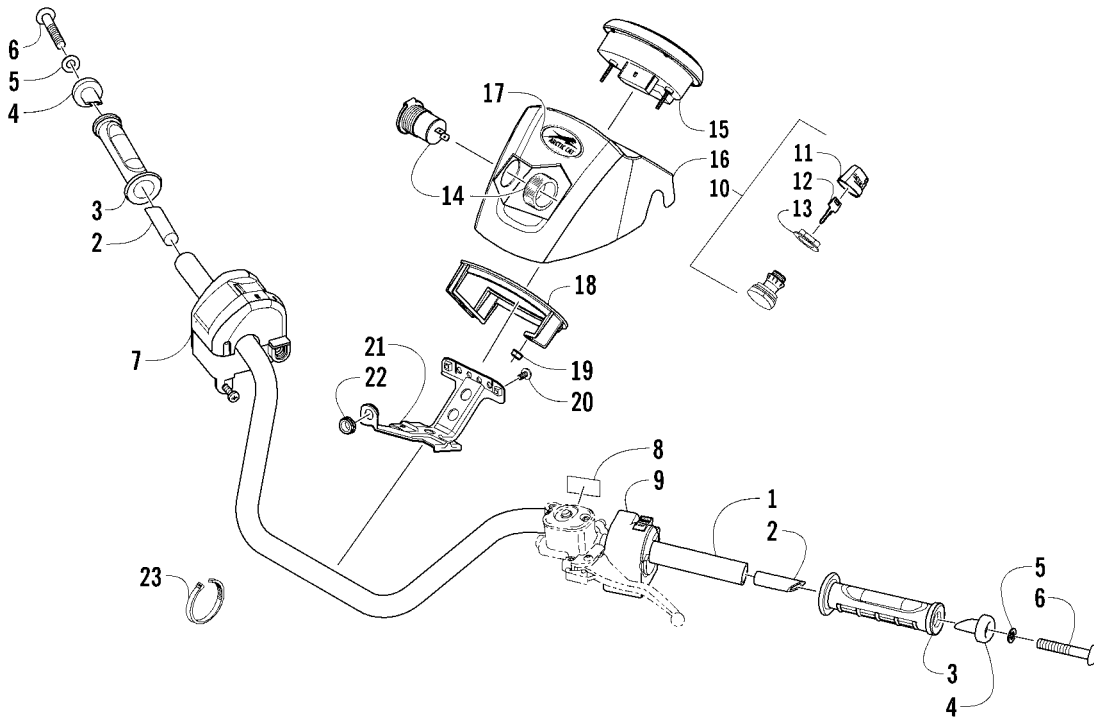
Ref	Part No.	New Qty	Description	Ref	Part No.	New Qty	Description
1	3313-199	1	Seat Assembly (inc. 2-5)	6	3313-759	1	Retainer, Tool Kit
2	3306-673	1	● Bumper, Seat	7	3305-913	1	Kit, Tool
3	3306-458	6	● Bumper, Seat	8	1441-797	1	Wrench, Spanner - Optional
4	1506-156	1	● Latch, Seat				
5	1406-592	1	● Spring, Seat Latch				



STEERING ASSEMBLY

0744-174

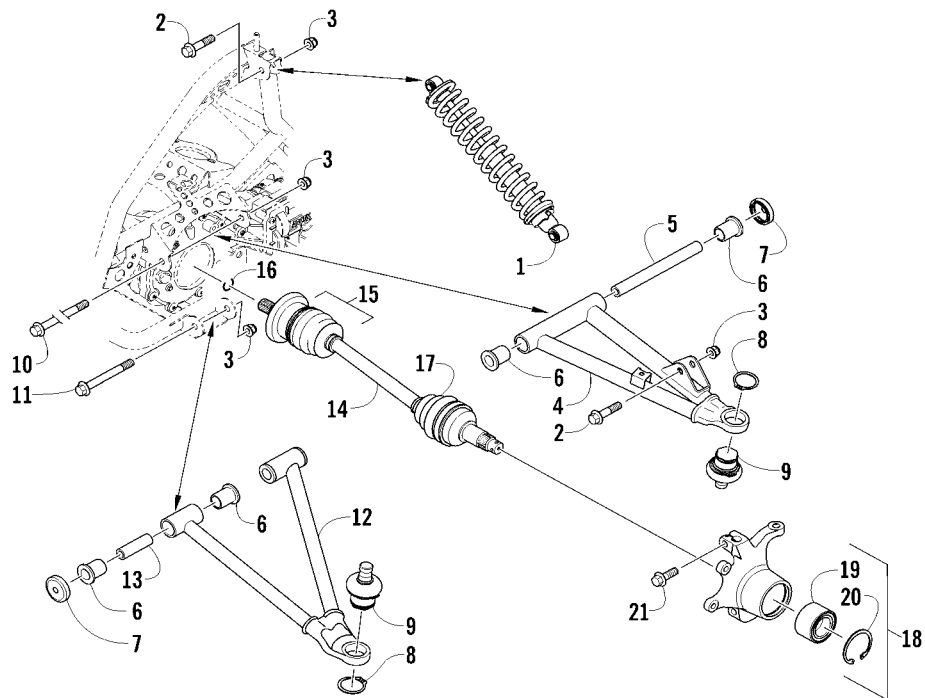
Ref	Part No.	New Qty	Description	Ref	Part No.	New Qty	Description
1	8408-860	4	Screw, Cap	11	0423-073	1	Washer
2	0405-035	2	Cap, Steering Adjuster	12	8408-820	1	Screw, Cap
3	0423-505	2	Screw, Shoulder	13	3306-722	2	Tie Rod - Assembly (inc. 14-18)
4	0405-166	1	Cap, Housing	14	3306-725	2	● End, Tie Rod - Left-Hand Thread
5	3323-052	1	Housing - Upper	15	3306-727	2	● Nut - Left-Hand Thread
6	3323-051	1	Housing - Lower	16	3306-723	2	● Tie Rod
7	3313-056	1	Post, Steering	17	3306-726	2	● Nut - Right-Hand Thread
8	3304-565	2	Screw, Cap	18	3306-724	2	● End, Tie Rod - Right-Hand Thread
9	0602-233	1	Flange, Bearing	19	3306-290	4	Nut, Lock
10	0405-052	1	Bearing w/Inverted Oil Seal	20	3305-724	4	Pin, Cotter



HANDLEBAR ASSEMBLY

0747-036

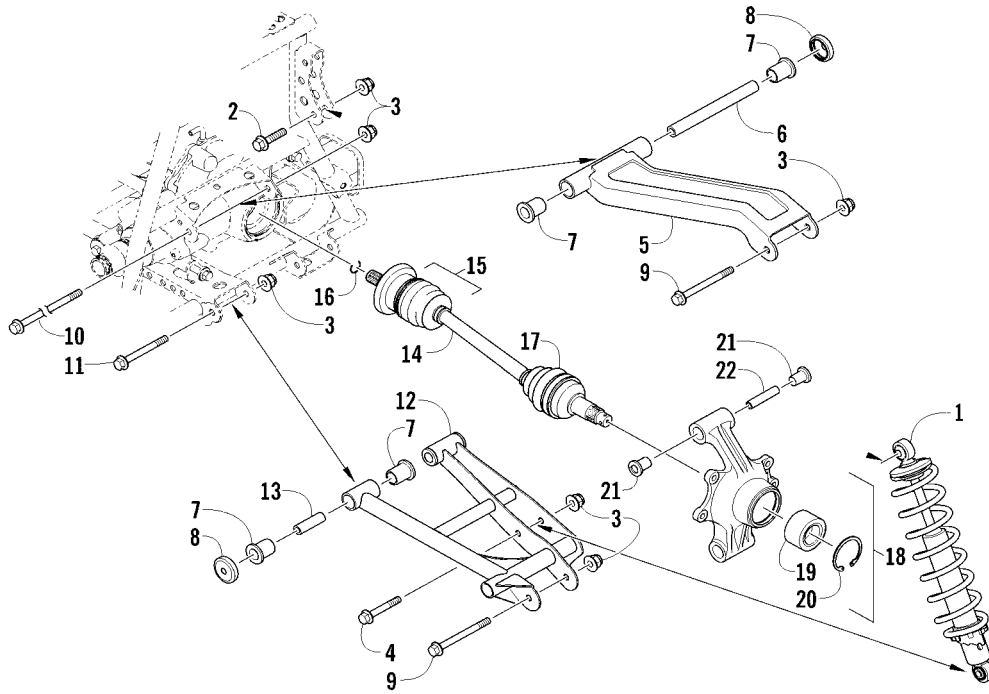
Ref	Part No.	New Qty	Description	Ref	Part No.	New Qty	Description
1	3306-580	1	Handlebar	13	0430-050	1	● Nut, Flange - Ignition Switch
2	0405-148	2	Plug, Handlebar	14	3313-468	1	Outlet, Accessory - 12V
3	0405-147	2	Grip, Handlebar	15	0520-137	1	Speedometer - Assembly
4	0405-149	2	End Cap, Handlebar	16	3306-278	1	Pod, Instrument - Black
5	8050-247	2	Washer	17	9611-751	1	Decal, - "Arctic Cat" (4BUSR/4BOSR)
6	8477-845	2	Screw, Machine		9611-752	1	Decal, - "Arctic Cat" (4BUSG/4BOSG)
7	3306-276	1	Case, Throttle - Assembly	18	0420-065	1	Bracket, Retaining
8	1411-865	1	Decal, Brake Lever Lock	19	0423-493	2	Nut w/Washer
9	3313-428	1	Switch, Control - Assembly	20	3304-404	2	Screw, Cap
10	3313-439	1	Switch, Ignition - Assembly (inc. 11-13)	21	3306-277	1	Bracket, Mounting - Pod (inc. 22)
11	0430-054	1	● Cover, Key	22	3303-239	1	● Grommet
12	3409-007	2	● Key, Ignition - Blank - C Series	23	3303-839	AR	Tie, Cable



FRONT SUSPENSION ASSEMBLY

0745-290

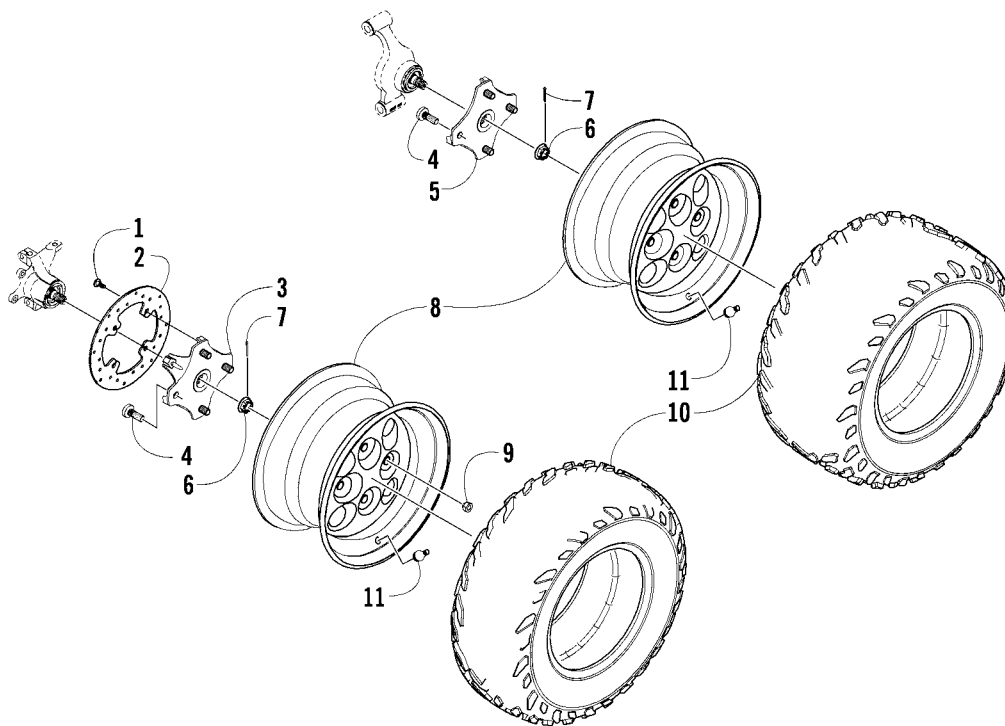
Ref	Part No.	New	Qty	Description	Ref	Part No.	New	Qty	Description
1	3306-865	X	2	Shock/Spring Assembly - Black	13	3313-107		4	● Axle
2	3303-376		4	Screw, Cap	14	3313-831		2	Axle, Drive - Front (inc. 15-17)
3	3304-031		10	Nut, Lock	15	3313-560		2	● Repair Kit, Boot - Drive Axle - Inbound (inc. 16)
4	3306-866	X	1	A-Arm, Upper Right - Black (inc. 5-9)	16	0423-844		2	●● Clip, Retaining
	3306-867	X	1	A-Arm, Upper Left - Black (inc. 5-9)	17	3306-425		2	● Repair Kit, Boot - Drive Axle - Outbound
5	3313-111		2	● Axle	18	3323-130		1	Knuckle - Assembly - Right (inc. 19-20)
6	3313-112		12	● Bushing		3323-131		1	Knuckle - Assembly - Left (inc. 19-20)
7	3313-113		12	● Seal	19	1402-809		2	● Bearing
8	0423-009		4	● Ring, Retaining	20	0423-423		2	● Ring, Retaining
9	0405-483		4	● Ball Joint	21	3323-127		4	Screw, Cap
10	3313-430		2	Screw, Cap					
11	3304-183		4	Screw, Cap					
12	3313-082		1	A-Arm, Lower Right - Black (inc. 6-9 and 13)					
	3313-083		1	A-Arm, Lower Left - Black (inc. 6-9 and 13)					



REAR SUSPENSION ASSEMBLY

0745-291

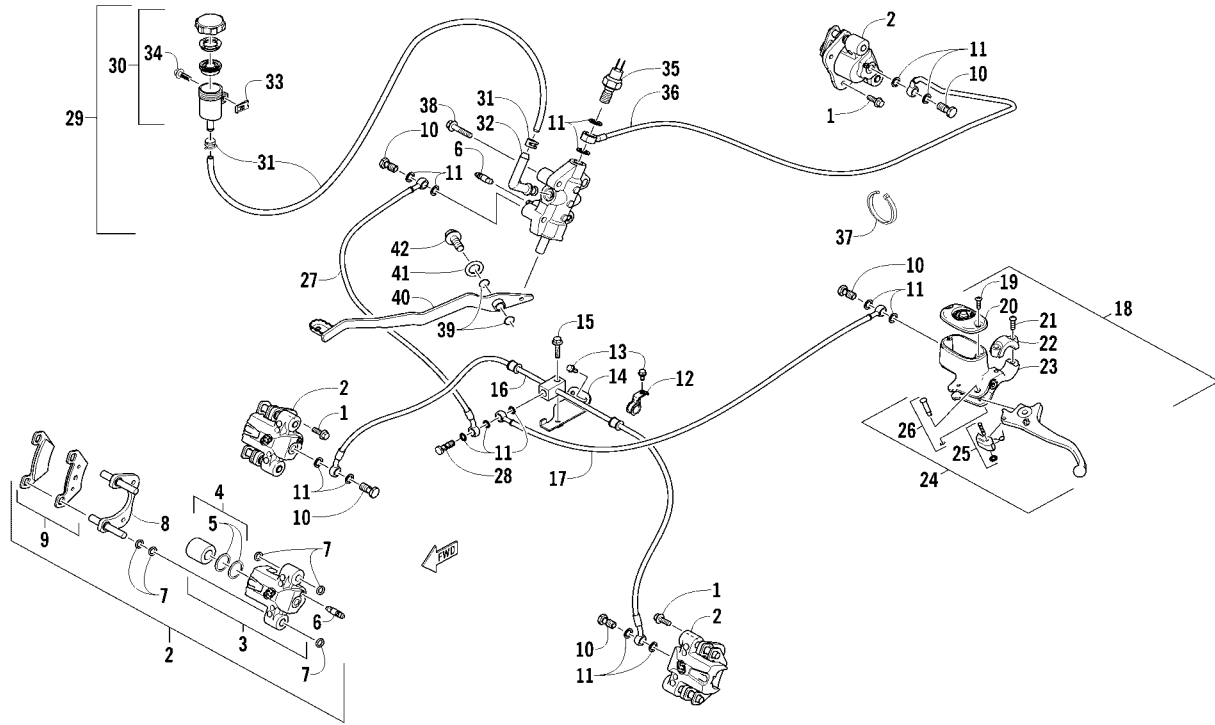
Ref	Part No.	New	Qty	Description	Ref	Part No.	New	Qty	Description
1	3313-150		2	Shock/Spring Assembly - Black	13	3313-107		4	● Axle
2	3303-376		2	Screw, Cap	14	3313-832		2	Axle, Drive (inc. 15-17)
3	3304-031		14	Nut, Lock	15	3313-560		2	● Repair Kit, Boot - Drive Axle - Inbound (inc. 16)
4	8409-065		2	Screw, Cap	16	0423-845		2	●● Ring, Retaining
5	3306-872	X	1	A-Arm, Upper Right - Black (inc. 6-8)	17	3306-425		2	●● Repair Kit, Boot - Drive Axle - Outbound
	3306-873	X	1	A-Arm, Upper Left - Black (inc. 6-8)	18	3323-108		1	Knuckle - Assembly - Right (inc. 19-22)
6	3313-111		2	● Axle		3323-109		1	Knuckle - Assembly - Left (inc. 19-22)
7	3313-112		12	● Bushing	19	1402-809		2	● Bearing
8	3313-113		12	● Seal	20	0423-423		2	● Ring, Retaining
9	3323-188		4	Screw, Cap	21	0403-206		8	● Bushing
10	3313-430		2	Screw, Cap	22	0403-213		4	● Axle
11	3304-183		4	Screw, Cap					
12	3313-136		1	A-Arm, Lower Right - Black (inc. 7-8 and 13)					
	3313-137		1	A-Arm, Lower Left - Black (inc. 7-8 and 13)					



WHEEL AND TIRE ASSEMBLY

0742-948

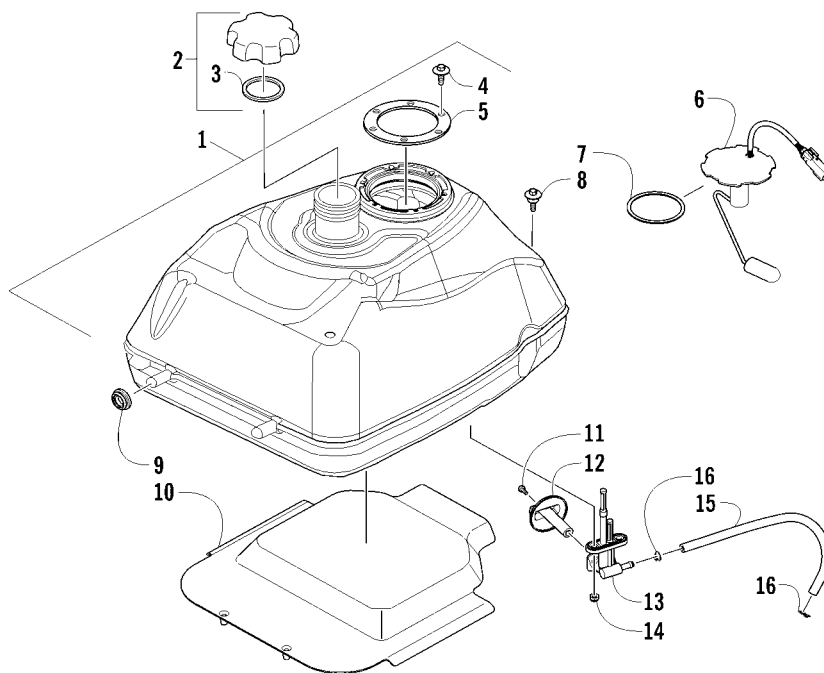
Ref	Part No.	New Qty	Description	Ref	Part No.	New Qty	Description
1	0423-557		12 Screw, Shoulder	7	0423-407	4	Pin, Cotter
2	1436-806		3 Disc, Brake	8	3306-868	X 4	Wheel
3	1502-462		2 Hub, Wheel - Front (inc. 4)	9	0423-408	16	Nut, Lug
4	0402-974		16 ● Stud	10	3313-850	2	Tire - Front
5	1502-462		1 Hub, Wheel - Right Rear (inc. 4)		3313-851	2	Tire - Rear
	1502-464		1 Hub, Wheel - Left Rear (inc. 4)	11	3303-887	4	Stem, Valve
6	0423-607		4 Nut, Castle				



HYDRAULIC BRAKE ASSEMBLY

0745-862

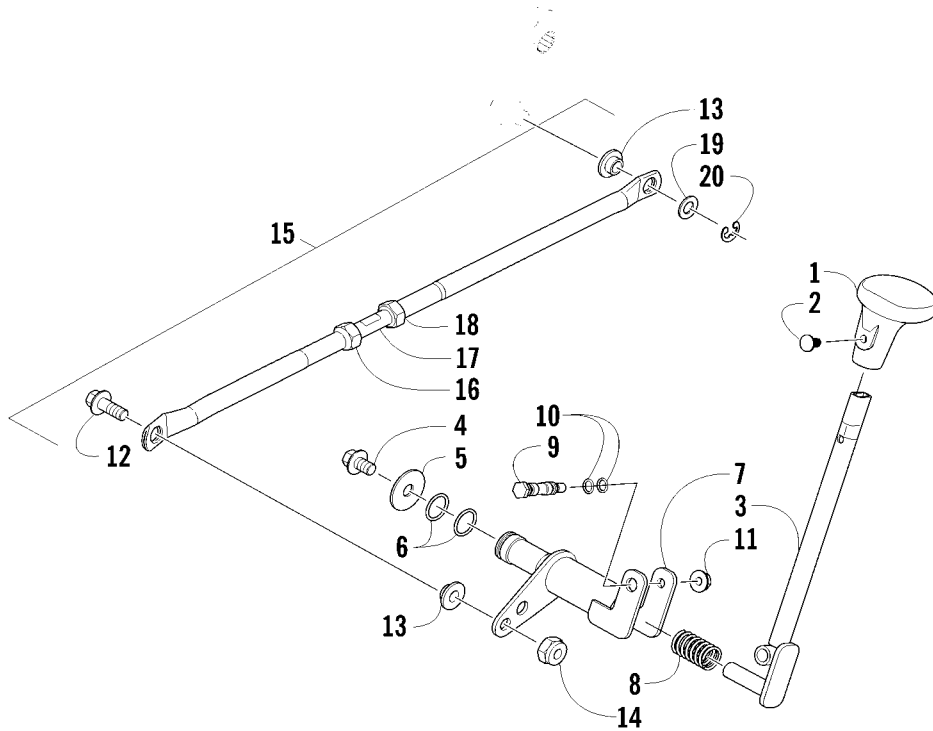
Ref	Part No.	New Qty	Description	Ref	Part No.	New Qty	Description
1	3305-785	6	Screw, Cap	19	0502-566	2	● Screw, Machine - Kit
2	3323-230	1	Caliper, Brake - Right Front (inc. 3-9)	20	0502-868	1	● Cover, Reservoir
	3323-231	1	Caliper, Brake - Left Front (inc. 3-9)	21	0502-568	2	● Screw, Machine - Kit
	3323-231	1	Caliper, Brake - Rear (inc. 3-9)	22	0502-869	1	● Clamp, Master Cylinder
3	1436-160	1	● Housing, Caliper - Assembly - Right Front (inc. 4-6)	23	0502-704	1	● Master Cylinder Assembly
	1436-161	1	● Housing, Caliper - Assembly - Left Front (inc. 4-6)	24	0502-866	1	● Lever Assembly - Kit (inc. 25-26)
	1436-161	1	● Housing, Caliper - Assembly - Rear (inc. 4-6)	25	0502-867	1	● Lock, Brake Lever - Kit
4	0502-606	3	●● Piston/Seal Set (inc. 5)	26	0502-580	1	●● Lever Pin - Kit
5	0502-607	3	●●● Seal Set	27	3313-423	1	Hose, Brake
6	0502-609	4	●● Valve, Bleed	28	3304-674	1	Bolt, Banjo-Fitting - Double
7	0502-608	3	● O-Ring, Guide - Set	29	3313-478	1	Brake Assembly (inc. 30-32)
8	0502-605	3	● Bracket Assembly	30	1502-141	1	● Reservoir, Brake w/Clamp
9	1502-694	3	● Pad, Brake - Set	31	3313-489	1	● Hose, Brake Fluid Reservoir w/Clamps
10	3303-257	5	Bolt, Banjo-Fitting	32	1502-296	1	● Adapter, Hose
11	3303-284	15	Washer, Crush	33	3304-061	1	Clip, U-Nut
12	3303-919	2	Clamp, Brake Hose	34	3306-146	1	Screw, Cap
13	3304-553	3	Screw, Cap	35	3313-820	1	Switch, Brake
14	3313-523	1	Bracket, Mounting - Brake Hose Assembly	36	3313-315	1	Hose, Brake
15	3305-789	1	Screw, Cap	37	0123-788	AR	Tie, Cable - 8 in.
16	3313-750	1	Hose, Brake - Assembly	38	3303-386	2	Screw, Cap
17	3313-422	1	Hose, Brake	39	1602-213	2	O-Ring
18	3313-316	1	Brake Assembly (inc. 19-26)	40	3313-156	1	Lever, Brake
				41	8050-252	1	Washer
				42	3304-543	1	Screw, Cap



GAS TANK ASSEMBLY

0745-841

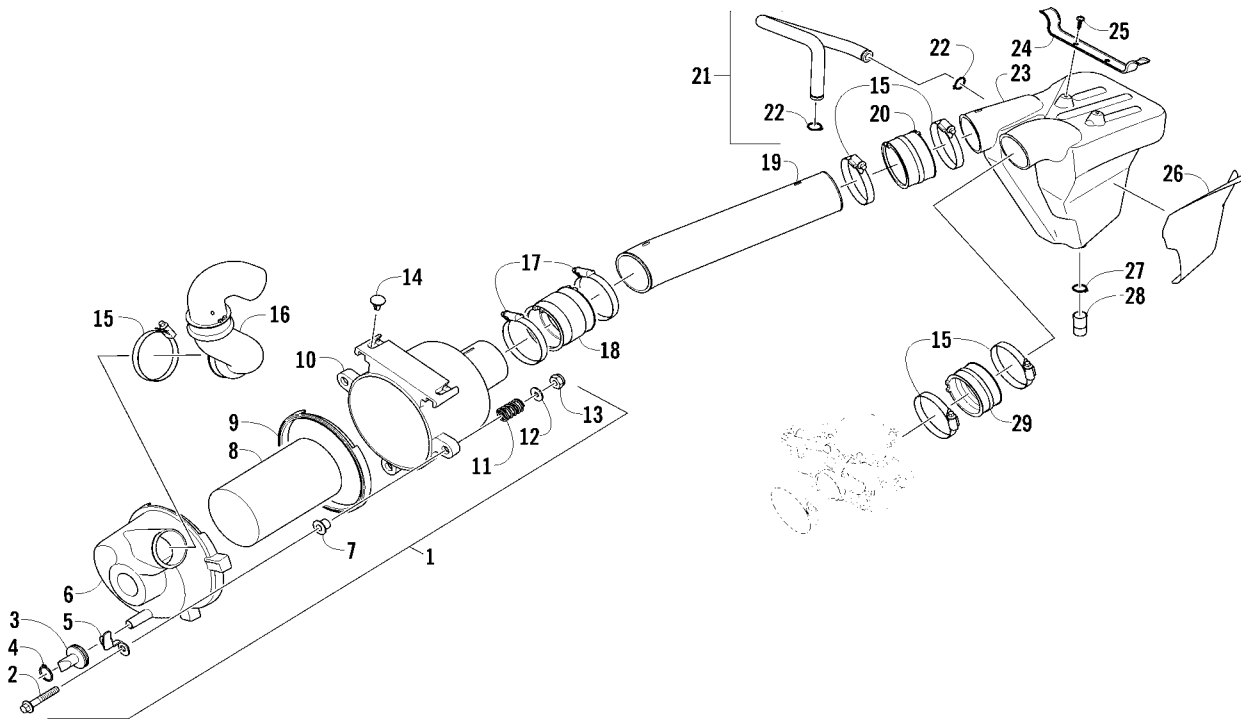
Ref	Part No.	New Qty	Description	Ref	Part No.	New Qty	Description
1	3306-406	1	Tank, Gas - Assembly (inc. 2-5)	9	0423-460	2	Grommet
2	3306-297	1	● Cap, Gas Tank (inc. 3)	10	3313-833	1	Shield, Heat
3	3306-298	1	●● Gasket, Gas Tank Cap	11	0423-146	1	Screw, Machine
4	3306-300	6	● Screw, Self-Tapping	12	3313-287	1	Knob, Gas Tank Valve
5	3306-299	1	● Plate, Retaining	13	3313-325	1	Valve, Gas Tank
6	3313-852	1	Sensor, Fuel Level	14	3304-431	2	Nut, Lock
7	3313-845	1	Seal	15	3313-288	1	Hose, Gasline (inc. 16)
8	0423-732	1	Screw, Shoulder	16	3313-684	2	● Clamp, Hose



SHIFT LEVER ASSEMBLY

0745-758

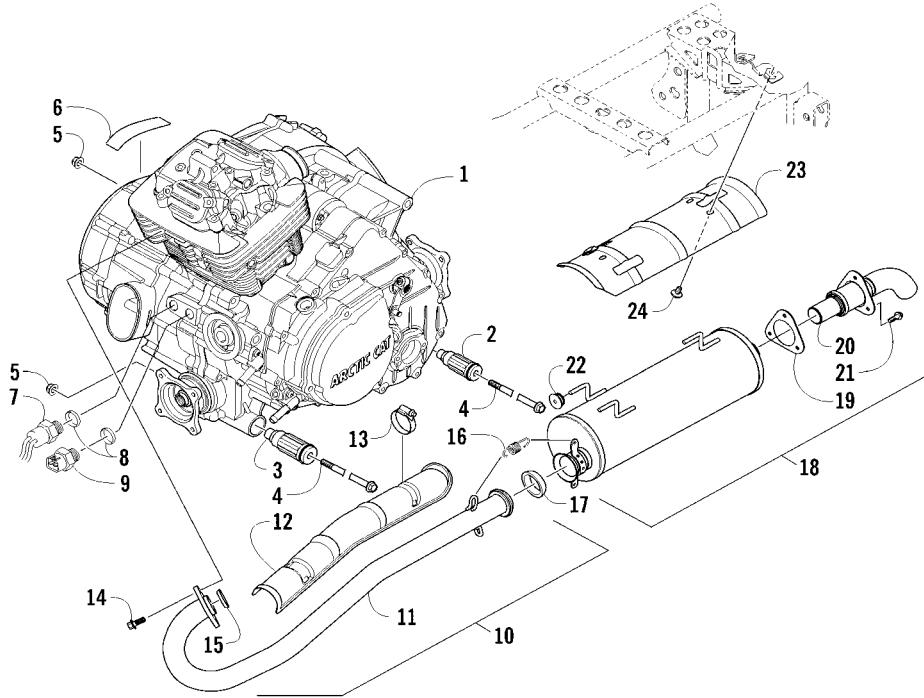
Ref	Part No.	New	Qty	Description	Ref	Part No.	New	Qty	Description
1	0402-843	1	1	Knob, Shift Lever	11	3304-654	1	1	Nut, Lock
2	0423-345	1	1	Clip, Retaining	12	3313-821	1	1	Screw, Cap
3	3313-317	1	1	Lever, Shift	13	3323-037	2	2	Bushing
4	3304-544	1	1	Screw, Cap	14	3305-396	1	1	Nut, Lock
5	0423-087	1	1	Washer	15	3306-319	1	1	Linkage, Shift - Assembly (inc. 16-18)
6	0423-299	2	2	O-Ring	16	3303-327	1	1	● Nut, Hex - Right-Hand Thread
7	3306-317	1	1	Actuator, Shift	17	3313-278	1	1	● Adjuster, Shift Linkage
8	0402-678	1	1	Spring, Shift Lever	18	3313-822	1	1	● Nut, Hex - Left-Hand Thread
9	0402-675	1	1	Axle, Pivot	19	3304-138	1	1	Washer
10	0423-182	2	2	O-Ring	20	3313-766	1	1	E-Ring



AIR INTAKE ASSEMBLY

0745-844

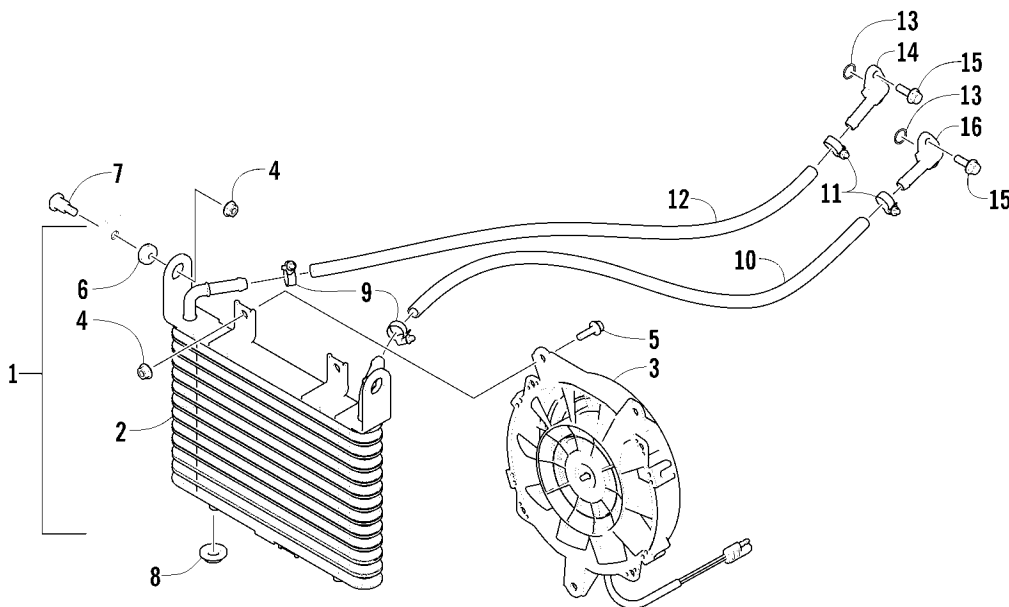
Ref	Part No.	New Qty	Description	Ref	Part No.	New Qty	Description
1	3313-395	1	Filter, Air - Assembly (inc. 2-13)	16	3313-816	1	Boot, Air Intake
2	8408-850	3	● Screw, Cap	17	3313-817	2	Clamp
3	0470-442	1	● Valve, Drain	18	3313-275	1	Boot, Air Intake
4	3313-705	1	● Clamp	19	3313-063	1	Boot, Air Intake
5	3313-375	3	● Latch	20	3313-274	1	Boot, Air Intake
6	3313-376	1	● Cover, Air Filter	21	3313-397	1	Hose, Oil Catch (inc. 22)
7	3313-853	3	● Spacer	22	3304-167	2	● Clamp, Hose
8	3313-378	1	● Element, Air Filter	23	3313-224	1	Housing, Air Intake
9	3313-446	1	● Gasket, Air Filter	24	3313-356	1	Bracket, Mounting - Air Intake Housing
10	3313-377	1	● Housing, Air Filter	25	3304-409	2	Screw, Self-Tapping
11	0402-678	3	● Spring	26	3313-362	1	Foil, Protective
12	8050-222	3	● Washer	27	3313-706	1	Clamp
13	3303-269	3	● Nut, Lock	28	3313-543	1	Pipe, Drain
14	3305-448	2	Clip, Retaining	29	3313-551	1	Boot, Air Intake
15	0423-380	5	Clamp				



ENGINE AND EXHAUST

0745-876

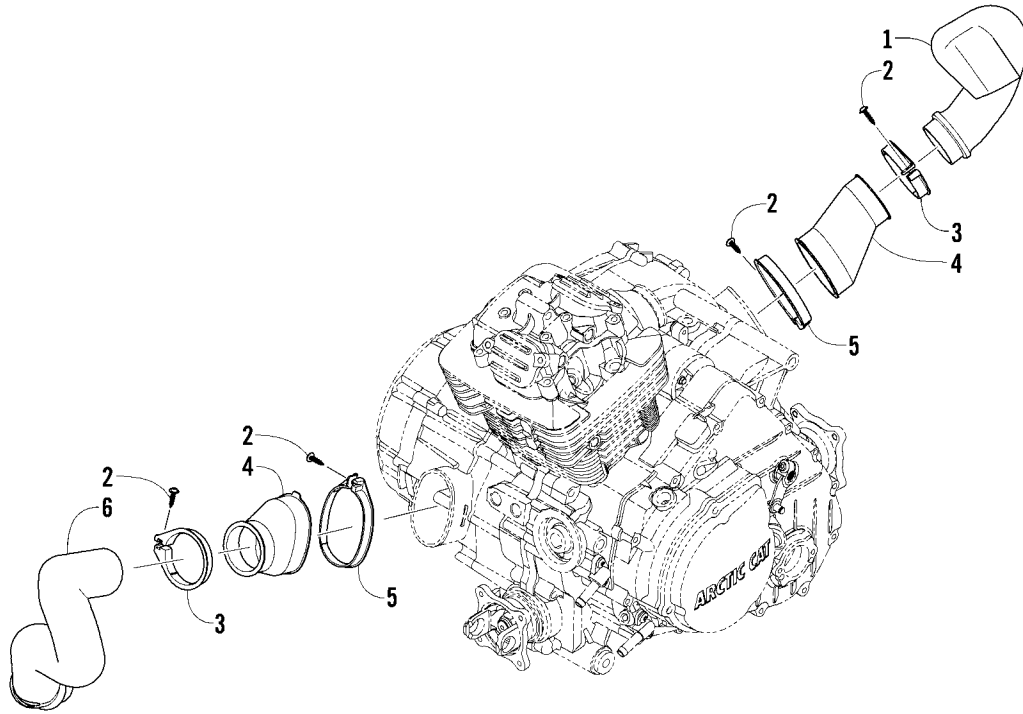
Ref	Part No.	New Qty	Description	Ref	Part No.	New Qty	Description
1	3313-858	1	Engine (inc. 2-3)	13	0423-317	2	● Clamp
2	0801-092	3	● Mount, Rubber - Engine	14	3304-565	2	Screw, Cap
3	0801-144	1	● Mount, Rubber - Engine	15	0412-007	1	Gasket, Exhaust Pipe
4	3323-174	2	Screw, Cap	16	0612-668	2	Spring, Extension
5	3304-031	2	Nut, Lock	17	0612-188	1	Seal, Exhaust
6	0411-426	1	Decal, Warning - Clutch Cover	18	3313-640	1	Muffler - Assembly (inc. 19-21)
7	3313-432	1	Switch, Temperature - Fan	19	3313-708	1	● Gasket, Spark Arrester
8	0830-180	2	O-Ring	20	3313-707	1	● Arrester, Spark - Assembly
9	3313-431	1	Switch, Temperature - Light	21	3304-438	3	● Screw, Cap
10	3313-364	1	Pipe, Exhaust - Assembly (inc. 11-13)	22	3313-264	3	Bushing
11	3313-024	1	● Pipe, Exhaust	23	3313-026	1	Cover, Muffler
12	3313-025	1	● Shield, Exhaust	24	3313-711	3	Screw, Machine



OIL COOLER ASSEMBLY

0745-294

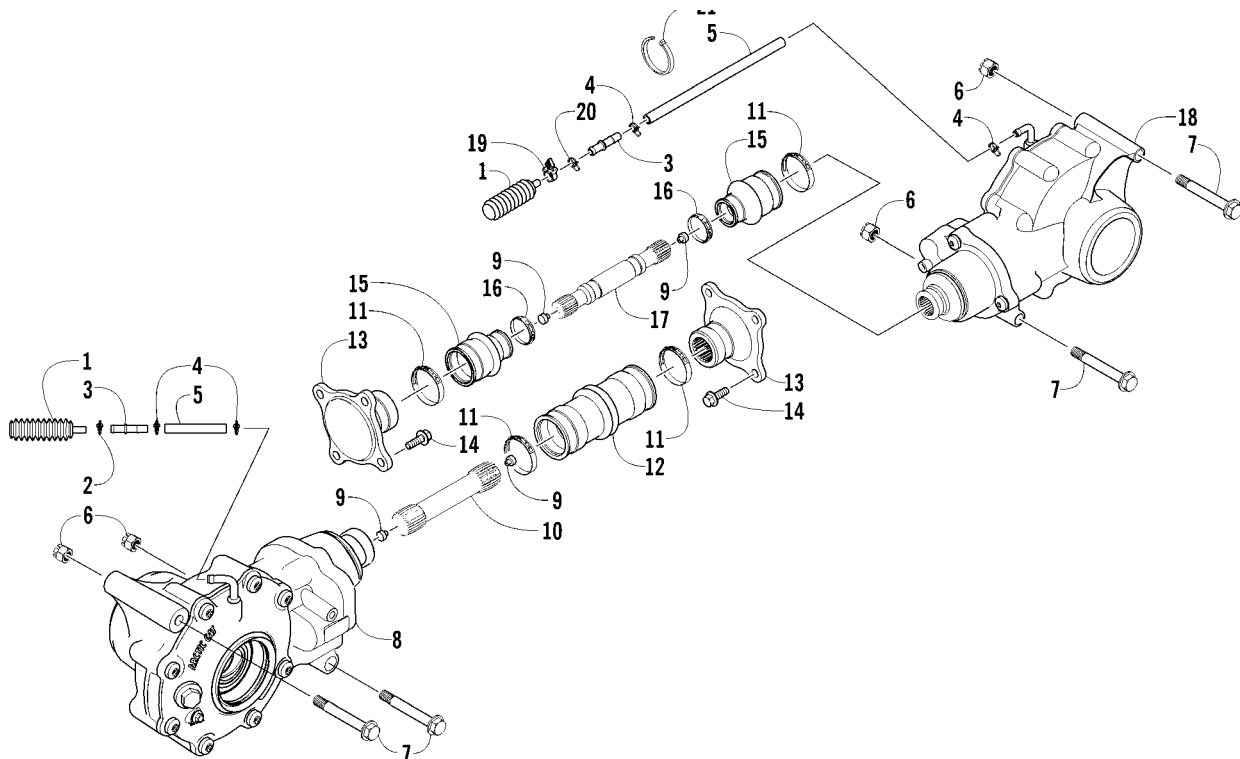
Ref	Part No.	New Qty	Description	Ref	Part No.	New Qty	Description
1	3323-202	1	Cooler, Oil - Assembly (inc. 2-3, three No. 4, and 5-6)	9	0423-098	2	Clamp, Hose
2	3323-203	1	● Cooler, Oil	10	0410-044	1	Hose, Oil
3	3323-204	1	● Fan, Cooling	11	3313-772	2	Clamp, Hose
4	3304-654	5	● Nut, Lock	12	3313-771	1	Hose, Oil
5	3304-587	3	● Screw, Cap	13	0830-172	2	O-Ring
6	0423-030	2	● Grommet	14	0812-060	1	Fitting, Oil
7	3313-166	2	Screw, Shoulder	15	3303-617	4	Screw, Cap
8	0423-028	2	Bushing, Stem	16	0812-059	1	Fitting, Oil



CASE/BELT COOLING ASSEMBLY

0743-005

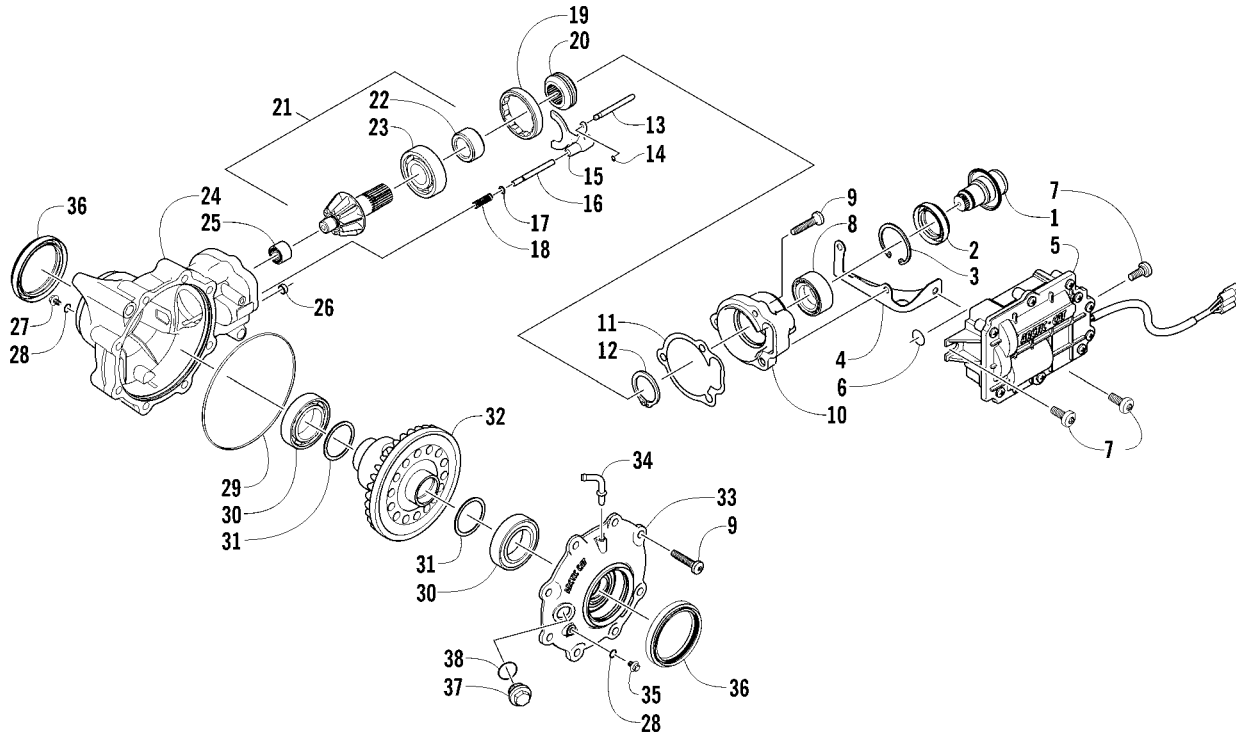
Ref	Part No.	New Qty	Description	Ref	Part No.	New Qty	Description
1	3313-064	1	Duct, Belt - Air Out	4	3313-782	2	Boot, Duct
2	0423-342	4	Screw, Self-Tapping	5	0423-550	2	Clamp, Plastic
3	0423-551	2	Clamp, Plastic	6	3313-065	1	Duct, Belt - Air In



DRIVE TRAIN ASSEMBLY

0745-846

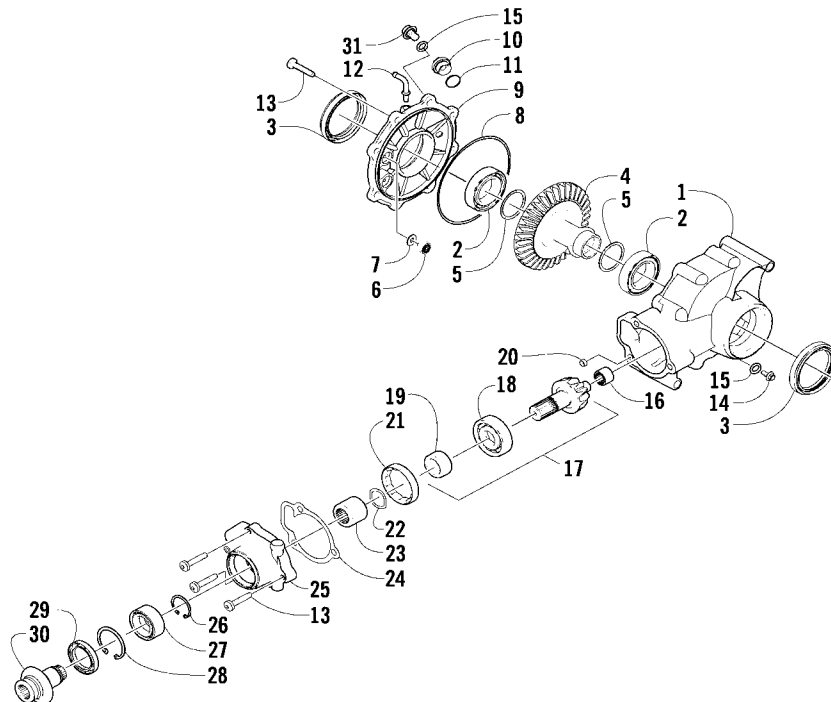
Ref	Part No.	New Qty	Description	Ref	Part No.	New Qty	Description
1	3313-796	2	Bladder, Gearcase	12	3313-825	1	Boot, Coupler
2	3323-149	1	Clamp, Hose	13	3313-774	2	Flange, Output
3	3323-150	2	Fitting, Vent	14	3304-565	8	Screw, Cap
4	3313-684	4	Clamp, Hose	15	0402-985	2	Boot
5	0410-070	AR	Hose, Vent	16	3313-777	2	Clamp
6	3304-031	4	Nut, Lock	17	3313-773	1	Shaft, Propeller
7	3305-787	4	Screw, Cap	18	3306-023	1	Gearcase, Rear
8	3306-265	1	Gearcase, Front	19	3323-152	1	Clip, Routing
9	3313-783	4	Bumper, Propeller Shaft	20	3303-349	1	Clamp, Hose
10	3313-784	1	Shaft, Propeller	21	0123-788	AR	Tie, Cable - 8 in.
11	3313-776	4	Clamp				



FRONT DRIVE GEARCASE ASSEMBLY

0745-296

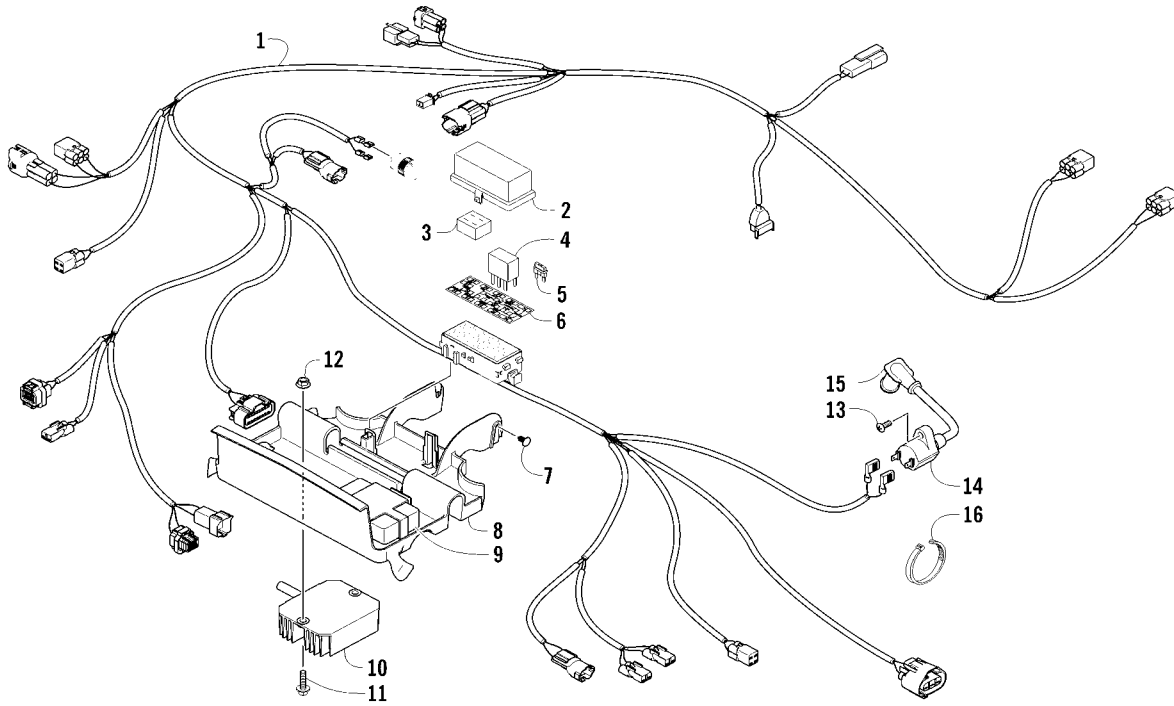
Ref	Part No.	New Qty	Description	Ref	Part No.	New Qty	Description
-	3306-265	1	Complete Front Drive Gearcase Assembly	22	0402-336	1	● Collar, Retaining
1	3306-047	1	Shaft, Input	23	3306-040	1	● Bearing
2	3323-239	1	Seal	24	3313-793	1	Housing, Gearcase
3	3306-046	1	Ring, Retaining	25	3306-038	1	Bearing
4	3323-241	1	Bracket, Actuator	26	3306-048	1	Pin, Dowel
5	3306-264	1	Actuator	27	3306-027	1	Plug, Magnetic (inc. one No. 28)
6	3313-792	1	O-Ring	28	0423-153	2	● O-Ring
7	3313-797	3	Screw, Self-Tapping	29	3306-030	1	O-Ring
8	3323-240	1	Bearing	30	3306-801	2	Bearing
9	3303-615	11	Screw, Self-Tapping	31	3306-132	AR	Shim, 41 x 49 x 1.0 mm
10	3323-238	1	Housing, Pinion		3306-133	AR	Shim, 41 x 49 x 1.1 mm
11	3323-234	1	Gasket, Flange		3306-134	AR	Shim, 41 x 49 x 1.2 mm
12	3306-045	1	Ring, Retaining		3306-135	AR	Shim, 41 x 49 x 1.3 mm
13	3323-235	1	Shaft, Selector		3306-136	AR	Shim, 41 x 49 x 1.4 mm
14	3313-791	1	Ring, Retaining		3306-137	AR	Shim, 41 x 49 x 1.5 mm
15	3323-236	1	Fork, Selector		3306-138	AR	Shim, 41 x 49 x 1.6 mm
16	3323-233	1	Shaft, Shuttle		3306-139	AR	Shim, 41 x 49 x 1.7 mm
17	3313-790	1	O-Ring	32	3313-794	1	Gear, Ring - 34T
18	3313-789	1	Spring, Return	33	3313-795	1	Cover, Gearcase
19	3313-788	1	Collar, Lock	34	3306-034	1	Fitting, Elbow
20	3323-232	1	Coupler, Drive	35	3306-036	1	Plug, Oil Level (inc. one No. 28)
21	3306-039	1	Gear, Pinion - Assembly - 11T (inc. 22-23)	36	3306-025	2	Seal
				37	3306-035	1	Plug, Fill (inc. 38)
				38	0423-154	1	● O-Ring



REAR DRIVE GEARCASE ASSEMBLY

0741-524

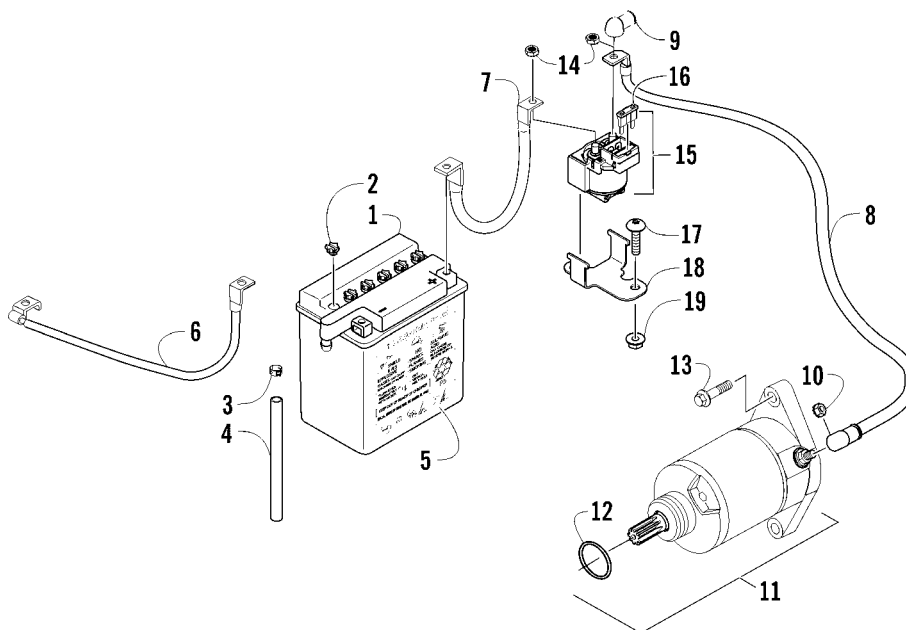
Ref	Part No.	New Qty	Description	Ref	Part No.	New Qty	Description
-	3306-023	1	Complete Rear Drive Gearcase Assembly	9	3306-033	1	Cover, Gearcase
1	3306-024	1	Housing, Gearcase	10	3306-035	1	Plug, Fill (inc. 11)
2	3306-801	2	Bearing	11	0423-154	1	● O-Ring
3	3306-025	2	Seal	12	3306-034	1	Fitting, Elbow
4	3306-029	1	Gear, Ring - 34T	13	3303-615	11	Screw, Self-Tapping
5	3306-132	AR	Shim, 41 x 49 x 1.0 mm	14	3306-027	1	Plug, Magnetic (inc. one No. 15)
	3306-133	AR	Shim, 41 x 49 x 1.1 mm	15	0423-153	2	● O-Ring
	3306-134	AR	Shim, 41 x 49 x 1.2 mm	16	3306-038	1	Bearing
	3306-135	AR	Shim, 41 x 49 x 1.3 mm	17	3306-039	1	Gear, Pinion - Assembly - 11T (inc. 18-19)
	3306-136	AR	Shim, 41 x 49 x 1.4 mm	18	3306-040	1	● Bearing
	3306-137	AR	Shim, 41 x 49 x 1.5 mm	19	0402-336	1	● Collar, Retaining
	3306-138	AR	Shim, 41 x 49 x 1.6 mm	20	3306-048	1	Pin, Dowel
	3306-139	AR	Shim, 41 x 49 x 1.7 mm	21	3306-042	1	Collar, Lock
6	3306-031	1	Button, Thrust	22	3306-043	1	Washer, Wave
7	3306-124	AR	Shim, 6.3 x 18 x 1.0 mm	23	3306-044	1	Collar, Shaft
	3306-125	AR	Shim, 6.3 x 18 x 1.1 mm	24	3323-234	1	Gasket, Flange
	3306-126	AR	Shim, 6.3 x 18 x 1.2 mm	25	3306-049	1	Housing, Pinion
	3306-127	AR	Shim, 6.3 x 18 x 1.3 mm	26	3306-045	1	Ring, Retaining
	3306-128	AR	Shim, 6.3 x 18 x 1.4 mm	27	3323-240	1	Bearing
	3306-129	AR	Shim, 6.3 x 18 x 1.5 mm	28	3306-046	1	Ring, Retaining
	3306-130	AR	Shim, 6.3 x 18 x 1.6 mm	29	3323-239	1	Seal
	3306-131	AR	Shim, 6.3 x 18 x 1.7 mm	30	3306-047	1	Shaft, Input
8	3306-030	1	O-Ring	31	3306-036	1	Plug, Oil Level (inc. one No. 15)



WIRING HARNESS ASSEMBLY

0745-847

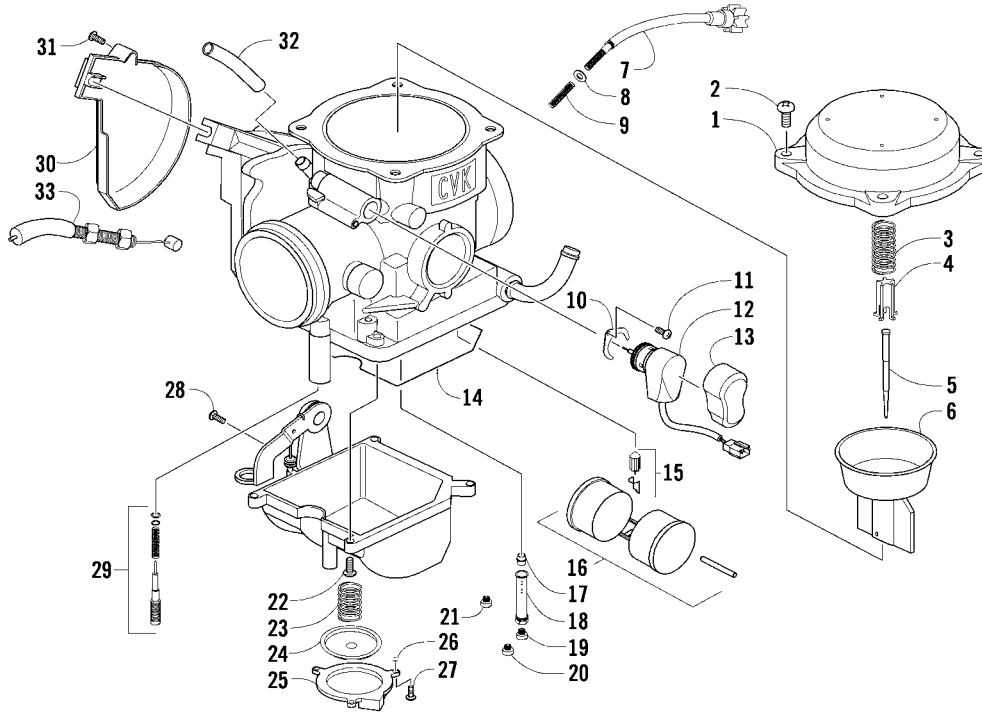
Ref	Part No.	New Qty	Description	Ref	Part No.	New Qty	Description
1	0486-469	1	Harness, Main (inc. 2-6)	8	3313-273	1	Tray, Electrical
2	0530-008	1	● Cover, Fuse Block	9	3313-436	1	CDI Unit
3	0430-037	1	● Holder, Fuse	10	3306-413	1	Regulator, Voltage
4	0430-033	3	● Relay (5-Pin) - 10 Amp	11	3305-344	2	Screw, Cap
5	0430-032	4	● Fuse - 10 Amp	12	3304-654	2	Nut, Lock
	0430-031	3	● Fuse - 15 Amp	13	3303-252	1	Screw, Machine
	3304-212	1	● Fuse - 30 Amp	14	3323-216	1	Coil, Ignition - Assembly (inc. 15)
6	2411-565	1	● Decal, Fuse Block	15	3313-695	1	● Cap, Spark Plug
7	0423-345	2	Clip, Retaining	16	3303-289	AR	Tie, Cable



BATTERY AND STARTER ASSEMBLY

0745-853

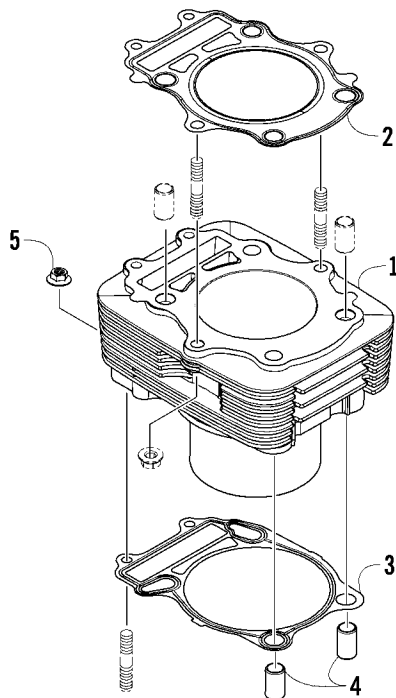
Ref	Part No.	New Qty	Description	Ref	Part No.	New Qty	Description
1	0745-045	1	Battery Assembly (inc. 2-5)	10	3304-011	1	Nut w/Washer
2	0645-045	6	● Cap	11	3305-954	1	Motor, Starter - Assembly (inc. 12)
3	0645-152	1	● Clamp, Hose	12	3304-104	1	● O-Ring
4	0645-263	1	● Hose, Vent	13	3305-946	2	Screw, Cap
5	0645-151	1	● Decal, Warning	14	3304-654	2	Nut, Lock
6	3313-525	1	Cable, Battery/Ground	15	3313-464	1	Solenoid (inc. 16)
7	3313-526	1	Cable, Battery/Solenoid	16	3304-212	1	● Fuse - 30 Amp
8	3313-527	1	Cable, Solenoid/Starter (inc. 9)	17	3305-703	2	Screw, Machine
9	-	1	● Boot, Terminal - Part Number not Available	18	3313-467	1	Bracket, Mounting - Solenoid
				19	3304-431	2	Nut



CARBURETOR

0744-227

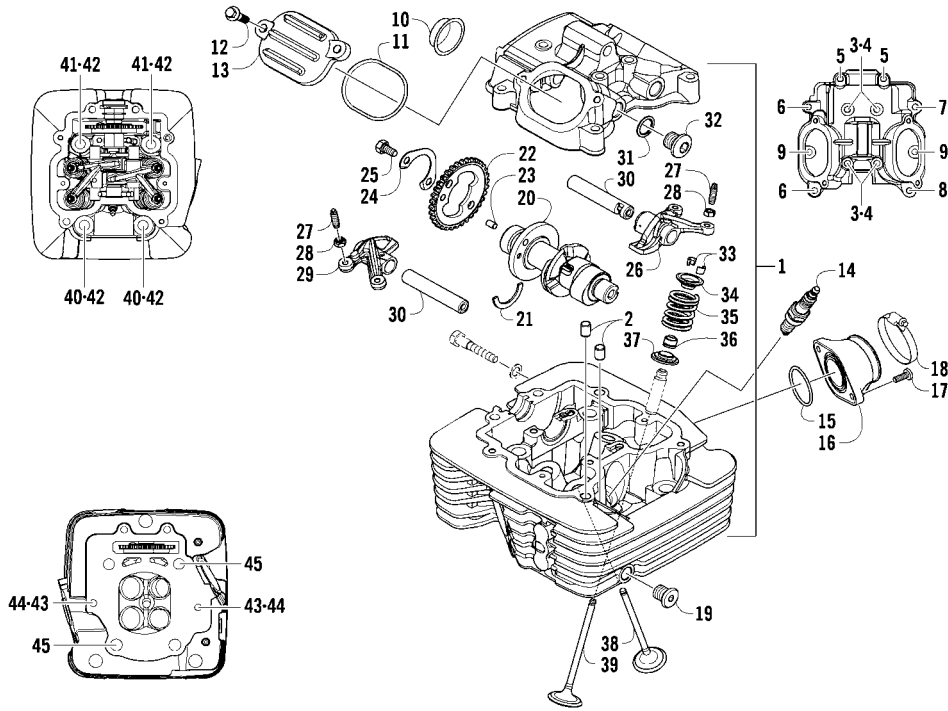
Ref	Part No.	New Qty	Description	Ref	Part No.	New Qty	Description
-	0470-737	1	Complete Carburetor Assembly	17	5507-007	1	Needle Jet
1	5507-001	1	Cover, Top	18	5507-047	1	Holder, Needle Jet
2	5507-002	4	Screw, Machine	19	3305-434	1	Main Jet - 112
3	5507-240	1	Spring	20	5507-097	1	Starter Jet - 75
4	5507-005	1	Seat, Spring	21	5507-246	1	Slow Jet - 38
5	5507-243	1	Jet Needle	22	5507-017	4	Screw, Machine
6	5507-004	1	Piston, Vacuum	23	5507-032	1	Spring
7	5507-027	1	Screw, Idle Adjust	24	5507-197	1	Diaphragm Assembly
8	5507-028	1	Washer	25	5507-198	1	Housing, Pump
9	5507-029	1	Spring	26	5507-034	1	U-Ring
10	5507-115	1	Plate	27	5507-035	3	Screw, Machine
11	5507-117	1	Screw, Machine	28	5507-050	1	Screw, Drain
12	5507-180	1	Choke, Electric	29	5507-111	1	Screw, Pilot - Set
13	5507-114	1	Cover, Electric Choke	30	5507-036	1	Cover
14	5507-067	1	O-Ring, Float Chamber	31	5507-037	1	Screw, Machine
15	5507-107	1	Valve, Float - Set	32	0410-070	AR	Hose, Vent - 25 ft
16	5507-039	1	Float Set	33	3306-275	1	Cable, Throttle



CYLINDER ASSEMBLY

0744-250

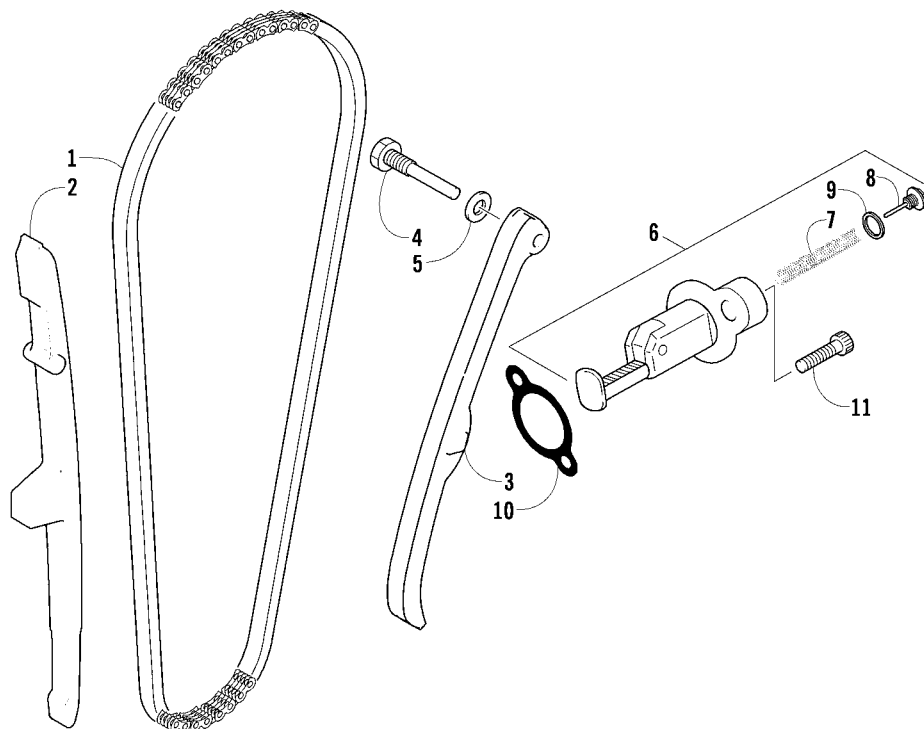
Ref	Part No.	New Qty	Description	Ref	Part No.	New Qty	Description
1	0804-042	1	Cylinder	4	0829-046	2	Pin, Dowel
2	0830-050	1	Gasket, Cylinder Head	5	3304-654	2	Nut, Lock
3	0830-053	1	Gasket, Cylinder				



CYLINDER HEAD AND CAMSHAFT/VALVE ASSEMBLY

0744-248

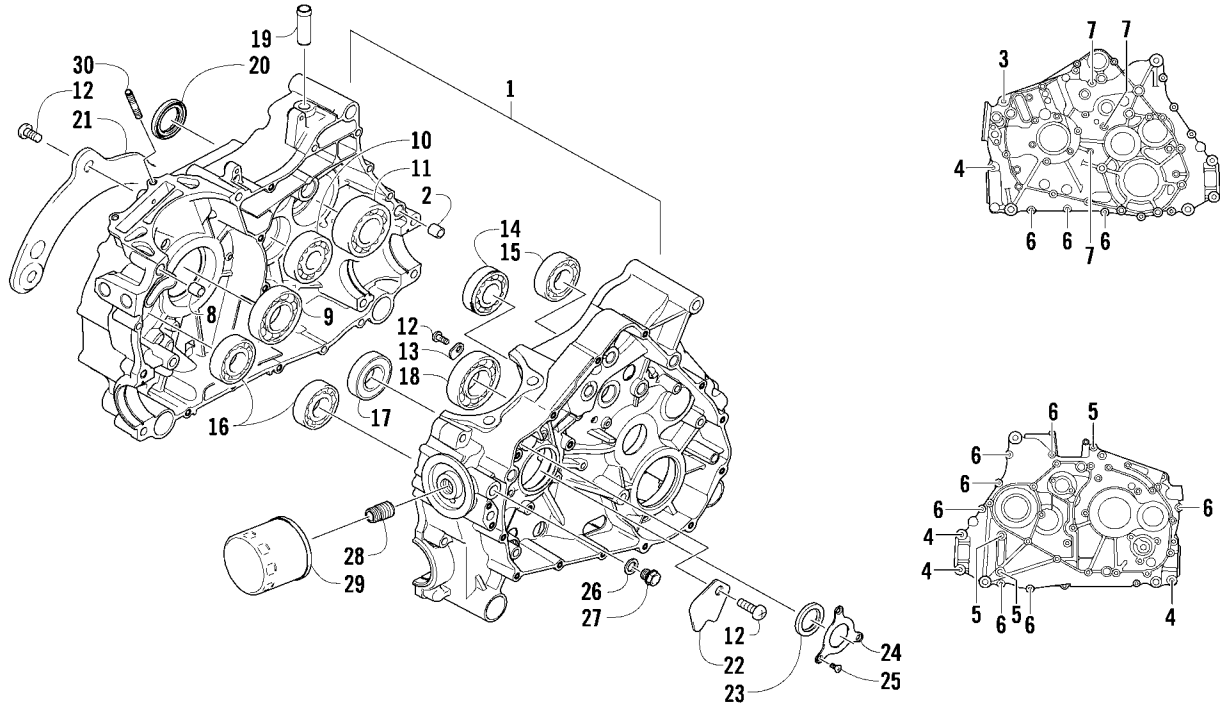
Ref	Part No.	New Qty	Description	Ref	Part No.	New Qty	Description
1	0808-012	1	Head, Cylinder (inc. 2)	24	0828-086	1	Plate, Retainer
2	3303-341	2	● Pin, Dowel	25	0826-154	2	Screw, Cap
3	0826-115	4	Screw, Cap	26	0809-145	1	Arm, Valve Rocker - Intake
4	0830-155	4	Gasket	27	3304-007	4	Screw, Adjuster
5	3304-918	2	Screw, Cap	28	3304-026	4	Nut
6	3303-386	2	Screw, Cap	29	0809-149	1	Arm, Valve Rocker - Exhaust
7	3304-903	1	Screw, Cap	30	0809-151	2	Shaft, Rocker Arm
8	0826-136	1	Screw, Cap	31	0830-143	2	Gasket
9	3303-384	2	Screw, Cap	32	0831-053	2	Plug, Shaft
10	3306-787	1	Plug, Head	33	3303-044	8	Cotter, Valve
11	0830-139	2	O-Ring	34	0809-142	4	Retainer, Spring
12	3303-383	4	Screw, Cap	35	0809-140	4	Spring, Valve
13	0808-111	2	Cap, Inspection	36	0809-190	4	Seal, Oil
14	0217-705	1	Spark Plug - NGK CR8E	37	0809-141	4	Seat, Spring
15	3323-145	1	O-Ring	38	0809-188	2	Valve, Intake
16	3313-843	1	Manifold, Intake	39	0809-189	2	Valve, Exhaust
17	3304-189	2	Screw, Cap	40	0826-062	2	Screw, Cap
18	0423-380	1	Clamp	41	0826-061	2	Screw, Cap
19	3303-656	1	Plug, Oil Gallery	42	0828-044	4	Washer
20	0809-287	1	Camshaft	43	0827-019	2	Bolt, Stud
21	0809-165	1	C-Ring	44	3303-332	2	Nut
22	0809-166	1	Sprocket	45	0829-013	2	Pin, Dowel
23	0829-036	1	Pin, Alignment				



CAM CHAIN ASSEMBLY

0743-029

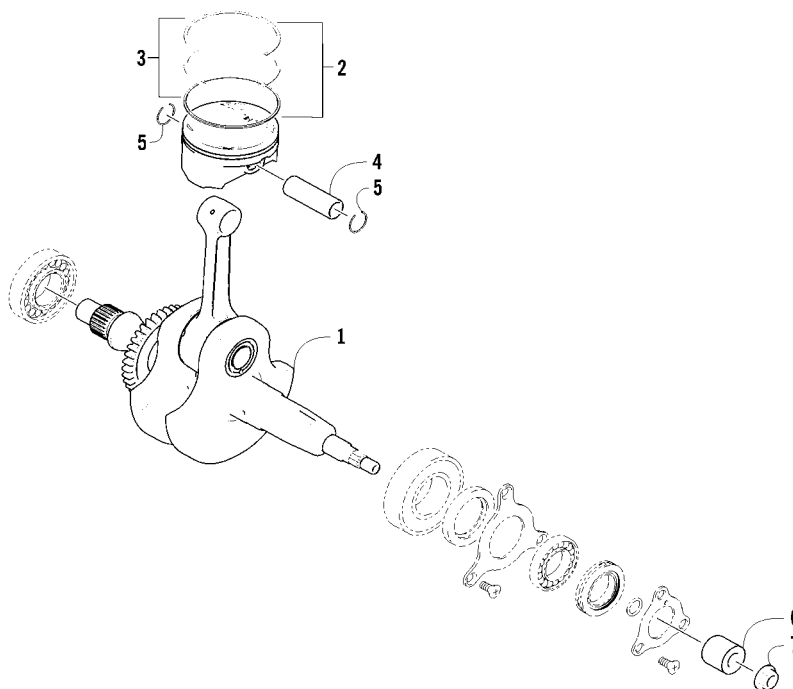
Ref	Part No.	New Qty	Description	Ref	Part No.	New Qty	Description
1	0810-005	1	Chain, Cam	7	0810-056	1	● Spring
2	0810-006	1	Guide, Chain	8	0810-061	1	● Plug
3	0810-007	1	Tensioner, Chain	9	0810-062	1	● Washer
4	0826-133	1	Pivot, Tensioner	10	0830-060	1	Gasket
5	0830-150	1	Washer	11	3303-360	2	Screw, Cap
6	0810-054	1	Adjuster, Tensioner - Assembly (inc. 7-9)				



CRANKCASE ASSEMBLY

0744-254

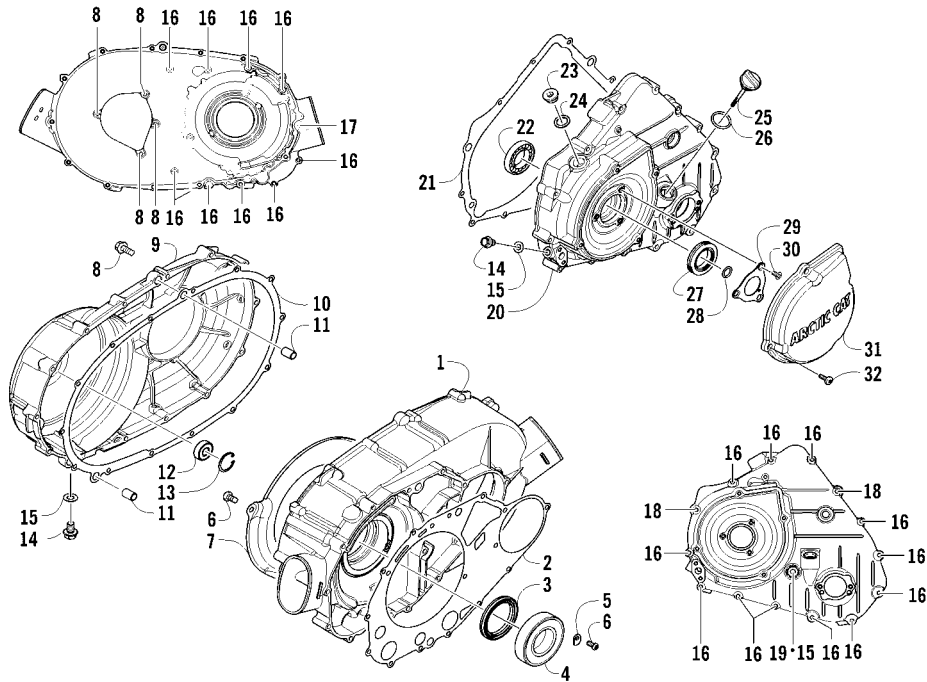
Ref	Part No.	New Qty	Description	Ref	Part No.	New Qty	Description
1	0801-021	1	Crankcase - Assembly (inc. 2-4)	16	0832-022	2	Bearing
2	0829-050	2	● Pin, Dowel	17	0832-020	1	Bearing
3	3303-372	1	● Screw, Cap	18	0832-019	1	Bearing
4	0826-126	4	● Screw, Cap	19	0801-027	1	Tube, Vent - Crankcase
5	0826-064	3	Screw, Cap	20	0830-066	1	Seal
6	3303-387	10	Screw, Cap	21	0801-018	1	Plate, Oil Guide - Right
7	0826-065	3	Screw, Cap	22	0801-019	1	Plate, Oil Guide - Left
8	0829-046	2	Pin, Dowel	23	0830-058	1	Seal
9	0832-087	1	Bearing	24	0805-018	1	Retainer
10	3304-198	1	Bearing	25	0826-145	3	Screw, Machine
11	0832-074	1	Bearing	26	0830-143	1	Gasket
12	0826-144	6	Screw, Machine	27	0835-004	1	Plug, Oil Pressure
13	0822-104	2	Retainer, Bearing	28	0812-066	1	Union, Oil Filter
14	3304-195	1	Bearing	29	0812-034	X 1	Filter, Oil
15	3304-699	1	Bearing	30	3313-721	2	Bolt, Stud



CRANKSHAFT AND PISTON ASSEMBLY

0745-882

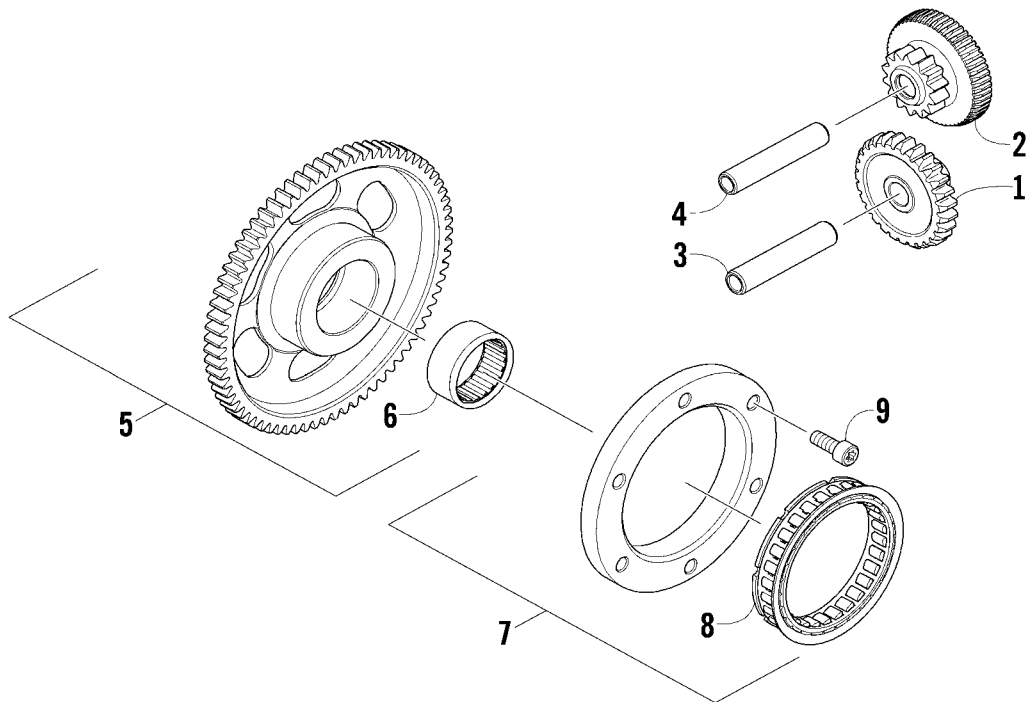
Ref	Part No.	New Qty	Description	Ref	Part No.	New Qty	Description
1	0805-013	1	Crankshaft Assembly	5	0831-060	2	● Circlip
2	0805-169	1	Piston Set (inc. 3-5)	6	0820-064	1	Bushing
3	0805-170	1	● Ring, Piston - Set	7	3303-333	1	Nut
4	0805-023	1	● Pin, Piston				



CLUTCH/V-BELT/MAGNETO COVER ASSEMBLY

0745-883

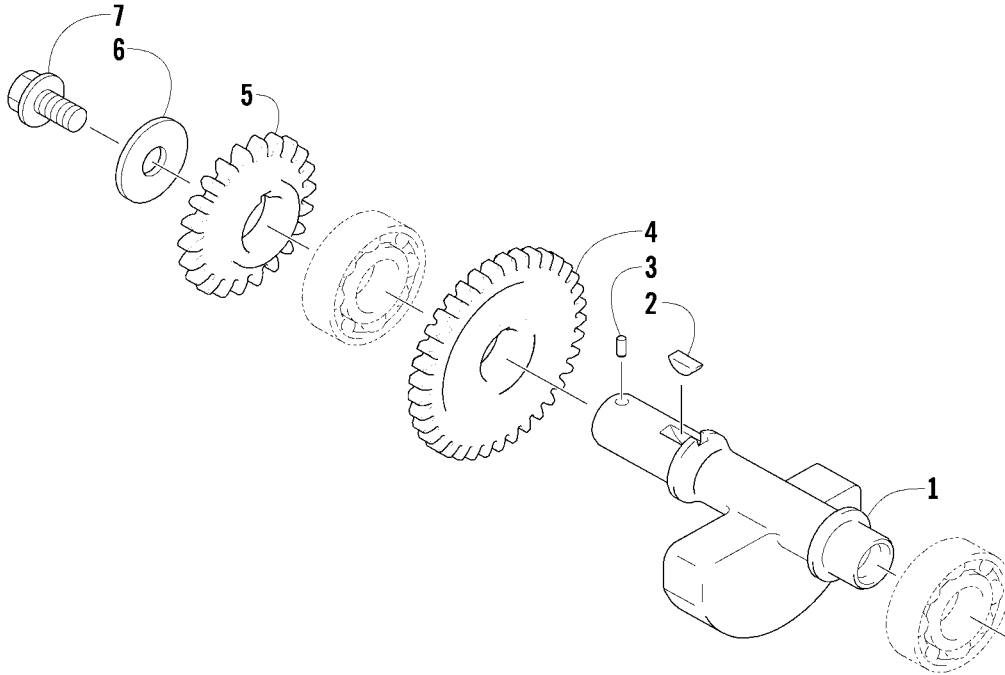
Ref	Part No.	New Qty	Description	Ref	Part No.	New Qty	Description
1	0806-026	1	Cover, Clutch	17	0826-066	1	Screw, Cap
2	0830-055	1	Gasket	18	3304-191	2	Screw, Cap
3	0830-157	1	Seal, Clutch Housing	19	0826-068	1	Screw, Cap
4	0832-071	1	Bearing	20	0806-028	1	Cover, Magneto
5	0822-104	2	Retainer, Bearing	21	0830-057	1	Gasket, Magneto Cover
6	0826-144	5	Screw, Machine	22	0832-053	1	Bearing
7	0806-103	1	Plate, Air Intake	23	0806-099	1	Plug
8	3303-386	18	Screw, Cap	24	0830-141	1	Washer, Crush
9	0806-027	1	Cover, V-Belt	25	0806-029	1	Stick, Oil Level (inc. 26)
10	0830-056	1	Gasket, V-Belt Cover	26	3304-102	1	● O-Ring, Oil Level Stick
11	0829-046	6	Pin, Dowel	27	0837-015	1	Seal
12	0832-023	1	Bearing	28	0830-153	1	O-Ring
13	3303-347	1	Circlip	29	0805-178	1	Retainer, Oil Seal
14	3303-365	2	Plug, Drain	30	0826-145	3	Screw, Machine
15	3303-591	3	Gasket, Drain Plug	31	0820-066	1	Cover, Magneto - Outer
16	3304-903	22	Screw, Cap	32	3303-617	4	Screw, Machine



STARTER CLUTCH ASSEMBLY

0744-283

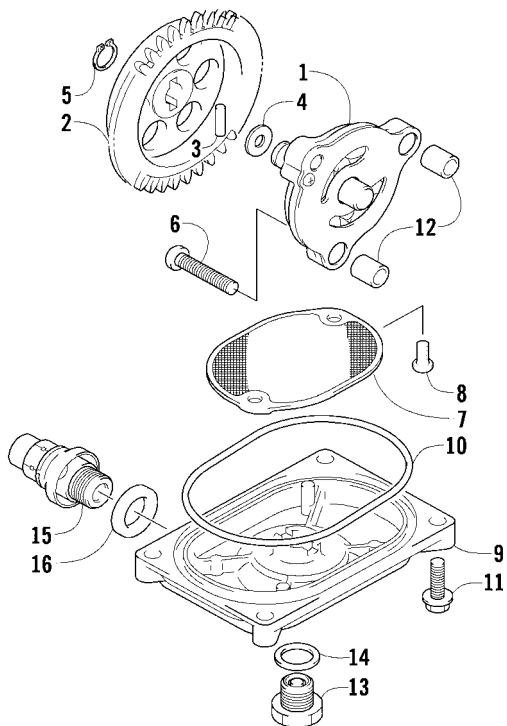
Ref	Part No.	New Qty	Description	Ref	Part No.	New Qty	Description
1	0815-022	1	Gear, Starter Idler - No. 2	6	0832-069	1	● Bearing
2	0815-031	1	Gear, Starter Idler - No. 1	7	0802-044	1	Clutch, One-Way (inc. 8)
3	0815-015	1	Pin, Starter Idler Gear No. 2	8	-	1	● Bearing - Not Serviced Individually
4	0815-007	1	Pin, Starter Idler Gear No. 1	9	0826-120	6	Screw, Cap
5	0815-023	1	Gear, Starter Clutch (inc. 6)				



CRANK BALANCER ASSEMBLY

0743-027

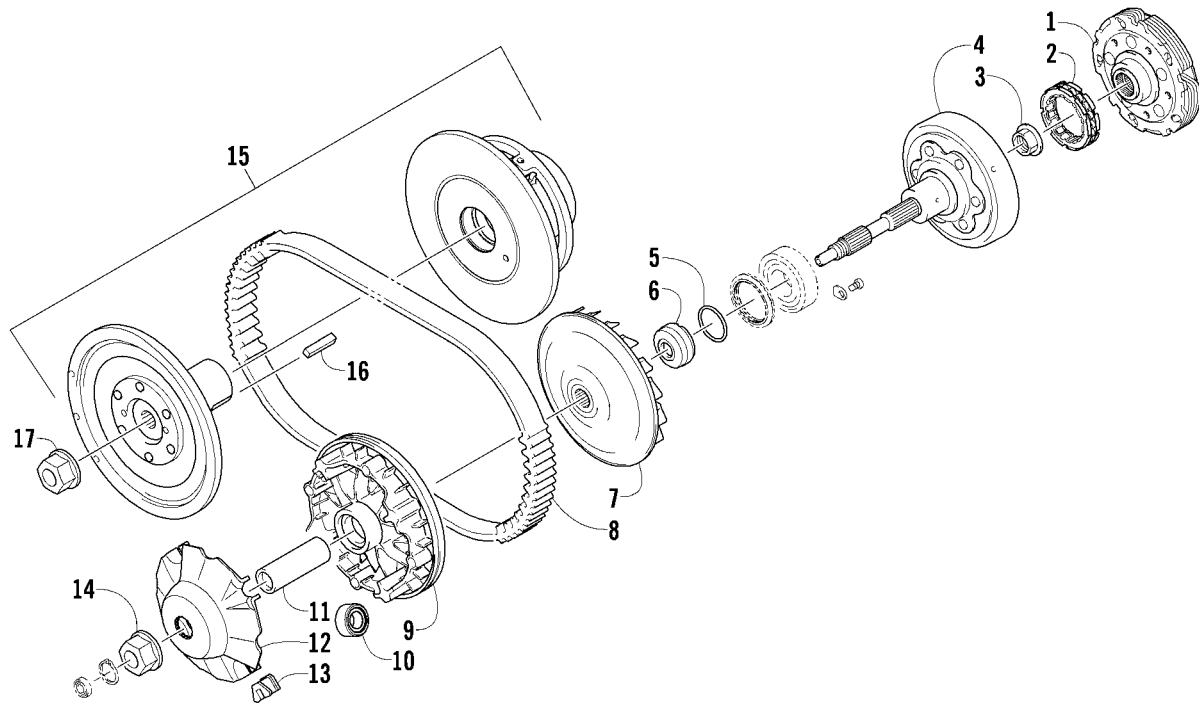
Ref	Part No.	New Qty	Description	Ref	Part No.	New Qty	Description
1	0811-005	1	Balancer, Crank	5	0811-009	1	Gear, Oil Pump Drive
2	0829-037	1	Key	6	0828-091	1	Washer
3	3304-144	1	Pin, Alignment	7	0826-118	1	Screw, Cap
4	0811-006	1	Gear, Driven				



OIL PUMP AND STRAINER ASSEMBLY

0743-030

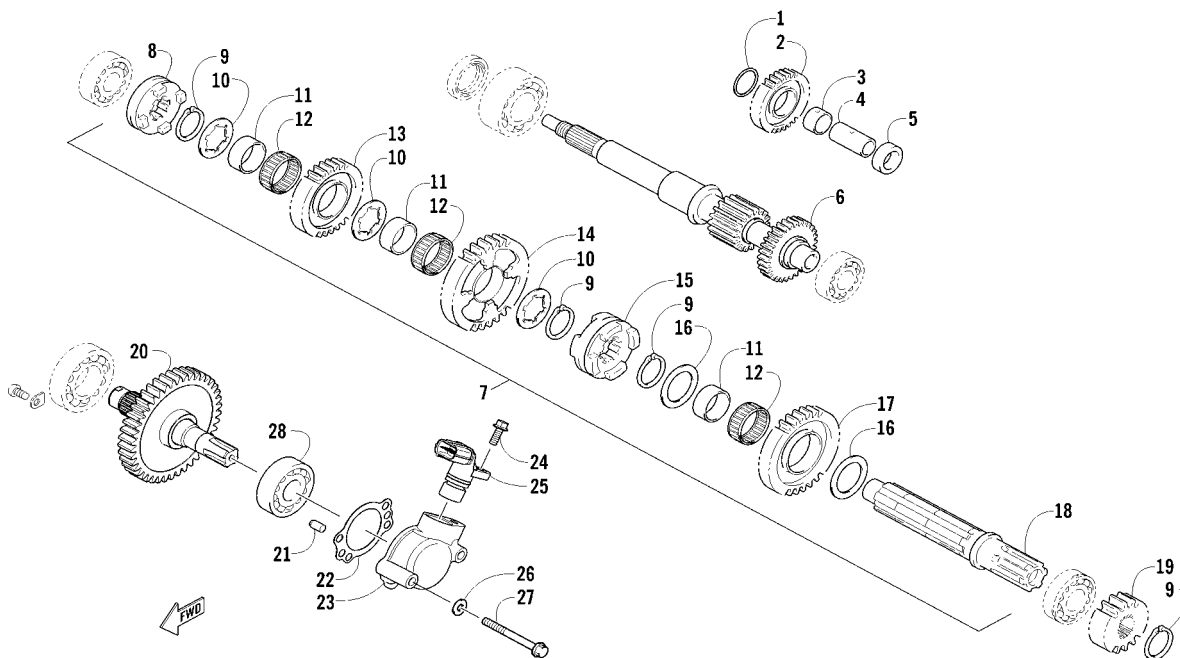
Ref	Part No.	New Qty	Description	Ref	Part No.	New Qty	Description
1	0812-069	1	Pump, Oil	9	0812-038	1	Cap, Oil Strainer
2	0812-010	1	Gear, Driven	10	0830-159	1	O-Ring
3	0812-036	1	Pin, Dowel	11	3303-384	4	Screw, Cap
4	0828-007	1	Washer	12	0829-033	2	Pin, Dowel
5	3304-146	1	Ring, Retaining	13	0812-065	1	Plug, Drain
6	0826-131	3	Screw, Machine	14	0830-143	1	Gasket
7	0812-049	1	Strainer, Oil	15	0812-067	1	Valve, Oil-Relief - Assembly (inc. 16)
8	3313-722	2	Screw, Cap	16	0830-181	1	● O-Ring



TRANSMISSION ASSEMBLY

0744-267

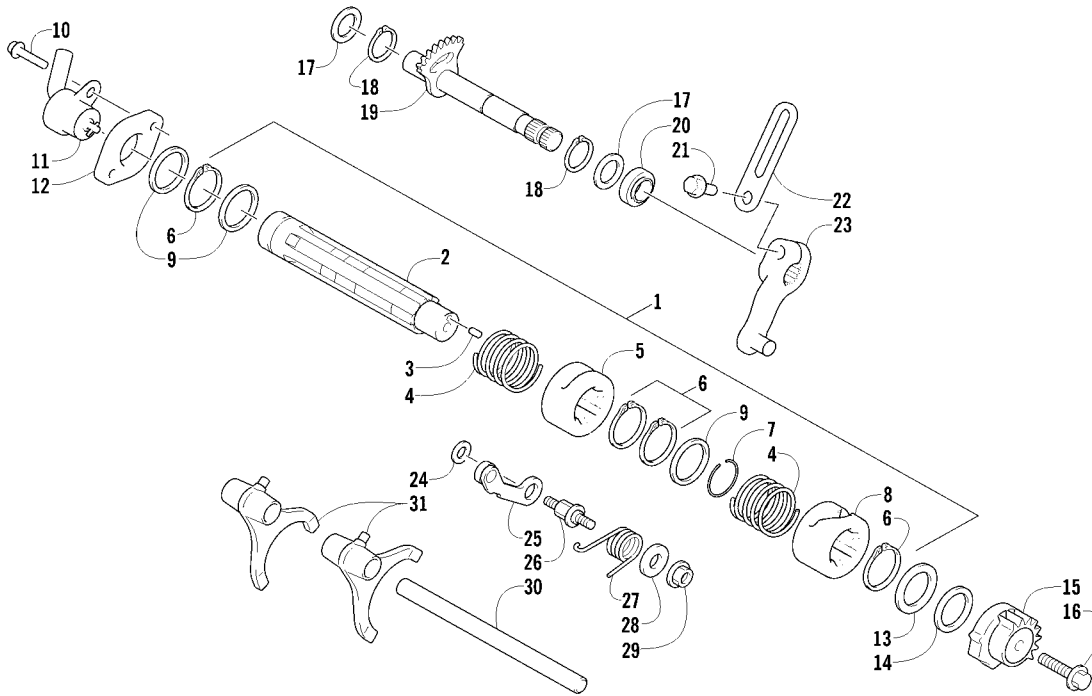
Ref	Part No.	New Qty	Description	Ref	Part No.	New Qty	Description
1	0823-328	1	Shoe, Clutch - Assembly	10	0823-210	8	Roller, Movable Drive Face
2	0823-198	1	Clutch, One-Way	11	0823-206	1	Spacer, Movable Drive Face
3	0827-050	1	Nut	12	0823-213	1	Plate, Movable Drive Face
4	0823-338	1	Housing, Clutch	13	0823-214	4	Damper, Movable Drive Face
5	0470-531	1	O-Ring	14	3323-165	1	Nut
6	0823-058	1	Spacer	15	0823-294	1	Clutch, Driven - Assembly (inc. 16)
7	0823-313	1	Face, Fixed Drive	16	0835-018	1	● Key
8	0823-228	1	Belt, Drive	17	0827-058	1	Nut
9	0823-324	1	Face, Movable Drive				



SECONDARY TRANSMISSION ASSEMBLY

0745-298

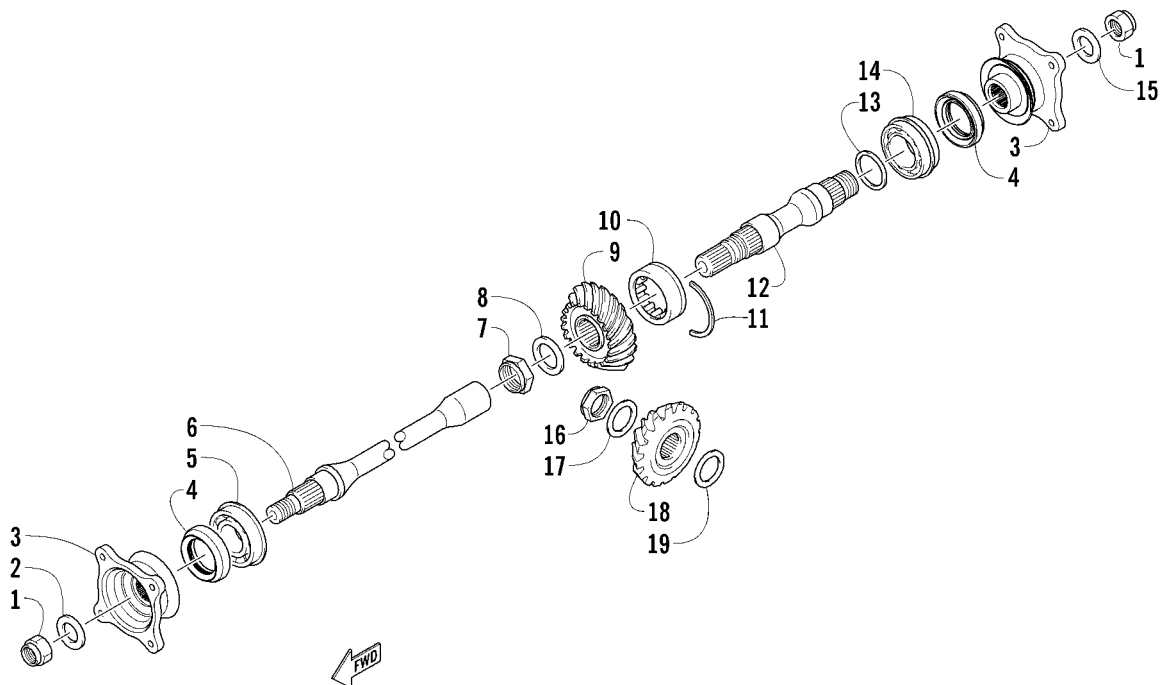
Ref	Part No.	New Qty	Description	Ref	Part No.	New Qty	Description
1	0828-081	1	Washer	15	0822-027	1	● Gear Select, Sliding
2	0822-061	1	Gear, Reverse Idle	16	3304-044	2	● Washer, Thrust
3	0822-065	1	Bushing	17	0822-026	1	● Gear, Driven - High
4	0822-064	1	Shaft, Reverse Idle	18	0822-025	1	● Countershaft
5	0822-029	1	Spacer	19	0822-028	1	Gear, Drive
6	0822-022	1	Driveshaft	20	0822-023	1	Shaft, Output
7	0822-036	1	Countershaft Assembly (inc. 8-18)	21	3303-395	2	Pin, Dowel
8	0822-033	1	● Gear Select, Reverse	22	0830-156	1	Gasket, Housing
9	3304-147	4	● Circlip	23	0822-105	1	Housing, Speedometer Sensor
10	3304-045	3	● Washer	24	3303-382	1	Screw, Cap
11	0822-062	3	● Bushing	25	3313-172	1	Sensor, Speedometer
12	0832-038	3	● Bearing	26	0830-155	2	Gasket
13	0822-032	1	● Gear, Reverse Driven	27	3303-387	2	Screw, Cap
14	0822-063	1	● Gear, Driven - Low	28	3304-198	1	Bearing



GEAR SHIFTING ASSEMBLY

0745-299

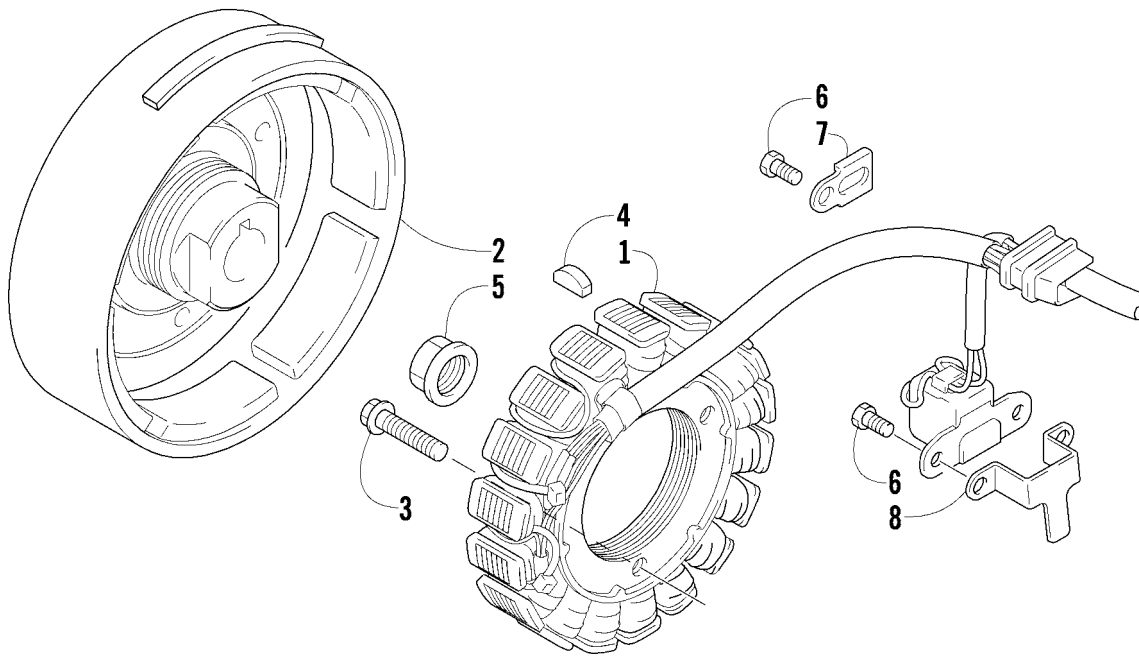
Ref	Part No.	New Qty	Description	Ref	Part No.	New Qty	Description
1	0818-126	1	Shaft, Gear Shift - Assembly (inc. 2-8 and two No. 9)	16	3304-569	1	Screw, Cap
2	0818-125	1	● Shaft, Gear Shift	17	0828-084	2	Washer
3	3304-439	1	● Pin, Dowel	18	0831-056	2	Ring, Retaining
4	0818-060	2	● Spring	19	0818-114	1	Shaft, Sub-Gear Shift (inc. 18)
5	0818-116	1	● Cam, Reverse	20	0830-179	1	Seal
6	3304-147	4	● Circlip	21	3304-551	1	Screw, Cap
7	0831-016	1	● C-Ring	22	1623-984	1	Clamp, Routing - Optional
8	0818-117	1	● Cam, Gear Shift	23	3306-316	1	Arm, Select
9	0828-079	3	● Washer	24	0828-083	1	Washer
10	3303-252	2	Screw, Cap	25	0818-084	1	Stopper, Cam
11	3306-395	1	Switch, Gear Shift Position	26	0818-062	1	Support, Cam Stopper
12	0818-073	1	Spacer, Speed Sensor	27	0818-020	1	Spring
13	0828-081	1	Washer, Thrust	28	0828-082	1	Washer
14	0828-080	1	Washer, Thrust	29	3304-654	1	Nut, Lock
15	0818-061	1	Plate, Gear Shift Cam	30	0818-021	1	Shaft, Shift Fork
				31	0818-088	2	Fork, Shift



SECONDARY DRIVE ASSEMBLY

0745-779

Ref	Part No.	New Qty	Description	Ref	Part No.	New Qty	Description
1	3306-428	2	Nut	14	0832-041	1	Bearing
2	3304-958	1	Washer	15	3306-226	1	Washer
3	0819-022	2	Flange, Output Joint	16	0827-047	1	Nut
4	0830-144	2	Seal, Oil	17	3304-042	1	Washer, Thrust
5	0832-026	1	Bearing	18	0819-018	1	Gear, Secondary Drive
6	0819-020	1	Shaft, Secondary Driven	19	3306-009	AR	Shim, 30 x 48 x 0.60 mm
7	0827-022	1	Nut		3306-010	AR	Shim, 30 x 48 x 0.65 mm
8	0828-090	1	Washer		3306-011	AR	Shim, 30 x 48 x 0.70 mm
9	0819-019	1	Gear, Secondary Driven		3306-012	AR	Shim, 30 x 48 x 0.75 mm
10	0832-040	1	Bearing		3306-013	AR	Shim, 30 x 48 x 0.80 mm
11	0819-070	1	C-Ring		3306-014	AR	Shim, 30 x 48 x 0.85 mm
12	0819-021	1	Shaft, Secondary Driven		3306-015	AR	Shim, 30 x 48 x 0.90 mm
13	3305-955	AR	Shim, 25 x 34 x 0.60mm		3306-016	AR	Shim, 30 x 48 x 0.95 mm
	3305-956	AR	Shim, 25 x 34 x 0.65mm		3306-017	AR	Shim, 30 x 48 x 1.00 mm
	3305-957	AR	Shim, 25 x 34 x 0.70mm		3306-018	AR	Shim, 30 x 48 x 1.05 mm
	3305-958	AR	Shim, 25 x 34 x 0.75mm		3306-019	AR	Shim, 30 x 48 x 1.10 mm
	3305-959	AR	Shim, 25 x 34 x 0.80mm		3306-020	AR	Shim, 30 x 48 x 1.15 mm
	3305-960	AR	Shim, 25 x 34 x 0.85mm		3306-021	AR	Shim, 30 x 48 x 1.20 mm
	3305-961	AR	Shim, 25 x 34 x 0.90mm		3306-022	AR	Shim, 30 x 48 x 1.25 mm
	3305-962	AR	Shim, 25 x 34 x 0.95mm				
	3305-963	AR	Shim, 25 x 34 x 1.00mm				
	3305-964	AR	Shim, 25 x 34 x 1.05mm				
	3305-965	AR	Shim, 25 x 34 x 1.10mm				
	0828-088	AR	Shim, 25 x 34 x 1.15mm				
	3305-966	AR	Shim, 25 x 34 x 1.20mm				
	3305-967	AR	Shim, 25 x 34 x 1.25mm				



MAGNETO ASSEMBLY

0743-035

Ref	Part No.	New	Qty	Description	Ref	Part No.	New	Qty	Description
1	3323-200	1	1	Stator Assembly	5	0827-046	1	1	Nut
2	3323-164	1	1	Rotor/Flywheel	6	3303-308	3	3	Screw, Cap
3	3305-945	3	3	Screw, Cap	7	0802-003	1	1	Clamp
4	0829-039	1	1	Key	8	0802-004	1	1	Clamp

