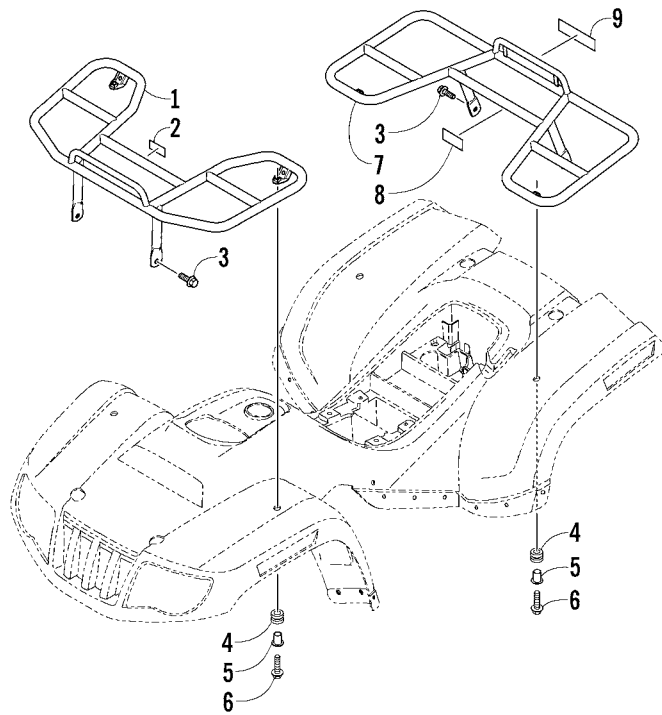


BODY PANEL AND HEADLIGHT ASSEMBLY

0747-128

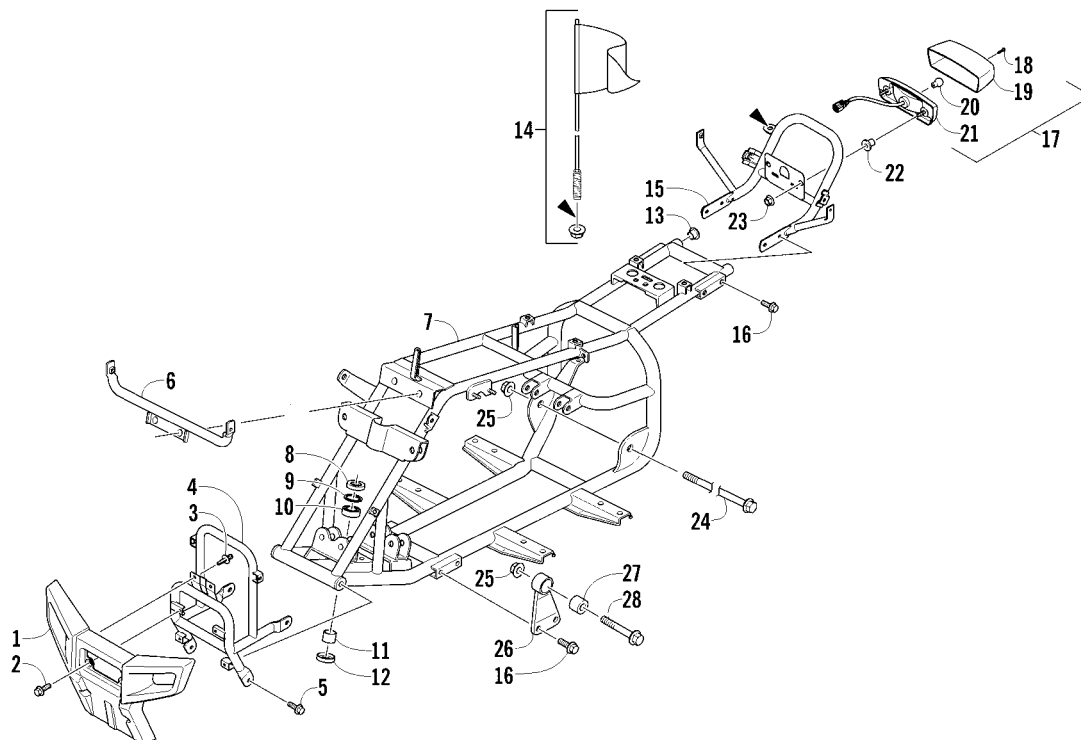
Ref	Part No.	New	Qty	Description	Ref	Part No.	New	Qty	Description
1	3306-735		1	Panel, Body - Main - Cat Green (inc. 2-10)	18	3304-061		4	● Clip, U-Nut
2	1411-180		1	● Decal, Reflector - Right - Amber	19	3305-828		4	Screw, Cap
	1411-181		1	● Decal, Reflector - Left - Amber	20	3304-123		10	Screw, Machine
3	1411-178		1	● Decal, Reflector - Right - Red	21	3306-736		1	Adapter, Mounting - Headlight - Right - Cat Green
	1411-179		1	● Decal, Reflector - Left - Red		3306-737		1	Adapter, Mounting - Headlight - Left - Cat Green
4	0411-836		1	● Decal, Warning - Hill	22	3304-543		8	Screw, Cap
5	0411-457		1	● Decal, Warning - Reverse/Pre-Ride	23	3304-494		1	Support, Mudguard - Right
6	1411-577		1	● Decal, Warning - Not for Highways		3304-495		1	Support, Mudguard - Left
7	1411-809		1	● Decal, Warning - Passenger	24	3306-144		1	Mudguard, Right - Assembly (inc. 25-26)
8	1411-938		1	● Decal, Warning - Tire/Load		3306-145		1	Mudguard, Left - Assembly (inc. 25-26)
9	2411-137		1	● Decal, Warning - Age	25	3303-227		8	● Bushing
10	1411-932		1	● Decal, Warning - General	26	3303-233		8	● Spacer
11	2411-465		1	Decal, "Arctic Cat"	27	3304-586		8	Screw, Cap
12	3411-008	X	1	Decal, Center - Right	28	3305-703		18	Screw, Machine
	3411-009	X	1	Decal, Center - Left	29	3304-431		18	Nut, Lock
13	3411-010	X	2	Decal, Rear Fender	30	3304-587		6	Screw, Cap
14	3305-976		2	Headlight - Assembly (inc. 15-18)	31	3303-232		2	Grommet, Rubber
15	3305-977		2	● Lens, Headlight	32	3304-156		2	Clamp, Routing
16	3305-827		2	● Bulb, Headlight	33	3304-651		2	Screw, Self-Tapping
17	3305-978		2	● Socket Assembly					



FRONT AND REAR RACK ASSEMBLY

0747-132

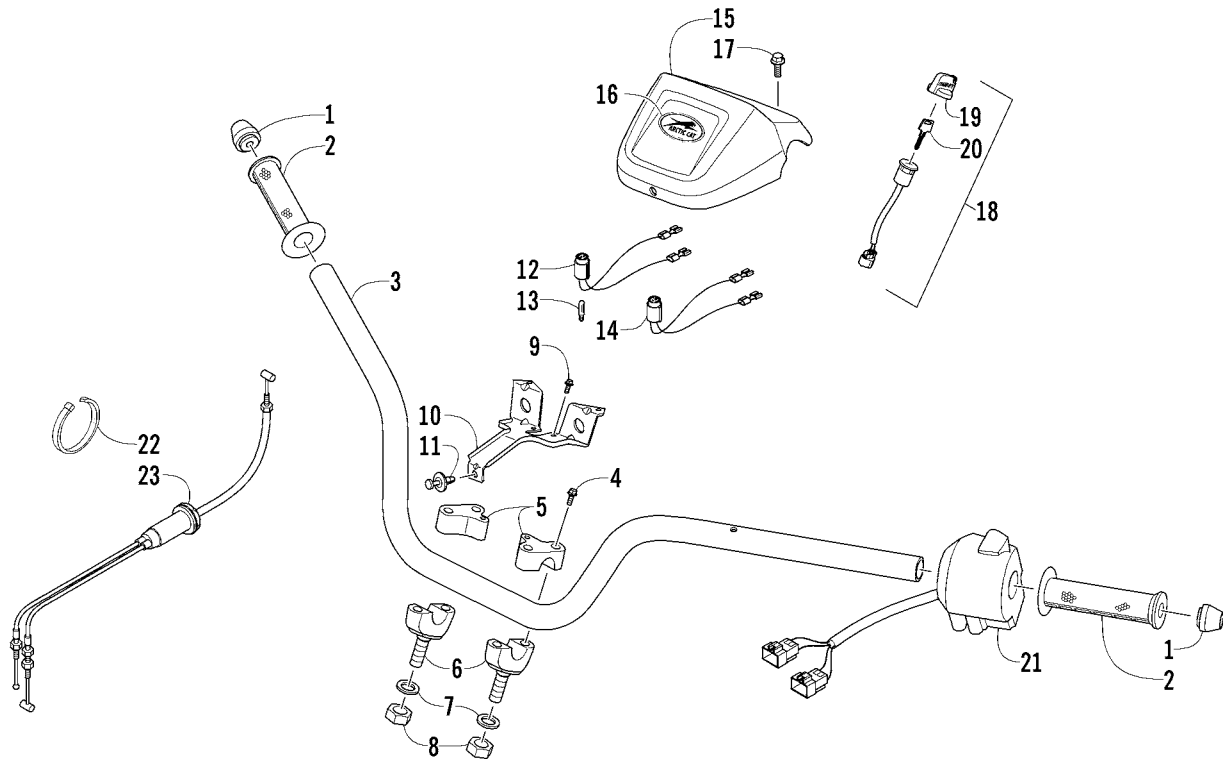
Ref	Part No.	New	Qty	Description	Ref	Part No.	New	Qty	Description
1	3304-503		1	Rack, Front	6	3304-586		4	Screw, Cap
2	1411-316		1	Decal, Warning - Load	7	3304-504		1	Rack, Rear
3	3304-543		4	Screw, Cap	8	1411-317		1	Decal, Warning - Load
4	3303-227		4	Grommet	9	2411-465		1	Decal, "Arctic Cat"
5	3303-233		4	Spacer					



FRAME AND RELATED PARTS ASSEMBLY

0745-002

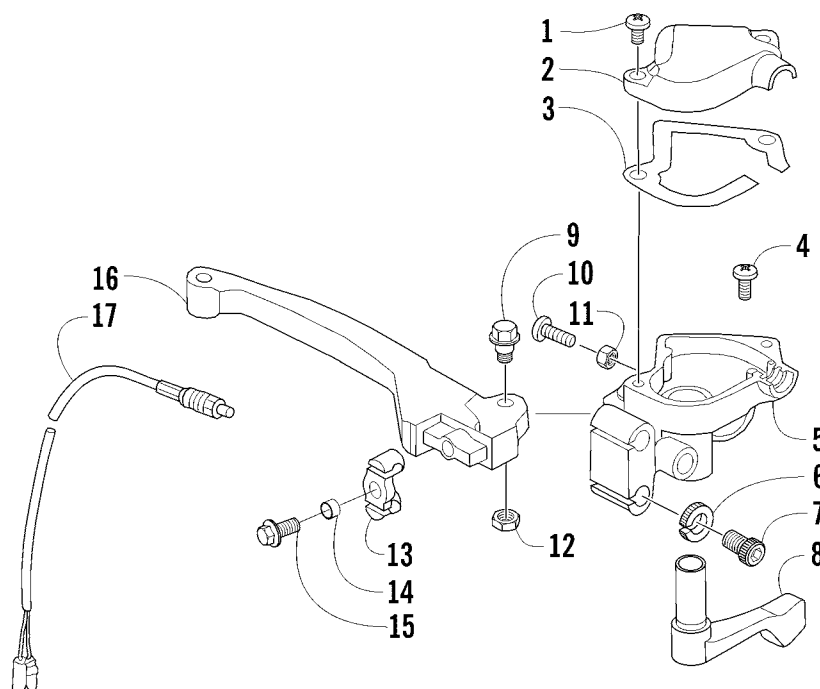
Ref	Part No.	New Qty	Description	Ref	Part No.	New Qty	Description
1	3306-141	1	Fascia, Front Bumper	17	3303-420	1	Taillight - Assembly (inc. 18-21)
2	3304-587	4	Screw, Cap	18	3304-537	2	● Screw, Self-Tapping
3	3303-592	2	Rivet, Reinstallable	19	3304-283	1	● Lens, Taillight
4	3306-741	1	Bumper, Front	20	3303-849	1	● Bulb, Taillight
5	3304-544	4	Screw, Cap	21	3303-422	1	● Base, Taillight
6	3304-549	1	Bracket, Support - Front	22	3303-226	2	Grommet
7	3305-862	1	Frame	23	3304-654	2	Nut, Lock
8	3303-295	1	Seal	24	3323-188	1	Screw, Cap
9	3303-347	1	Ring, Retaining	25	3304-031	3	Nut, Lock
10	3303-392	1	Bearing	26	3303-183	1	Bracket, Mounting - Engine - Right (inc. 27)
11	3303-445	1	Sleeve		3303-184	1	Bracket, Mounting - Engine - Left (inc. 27)
12	3303-298	1	Seal				
13	-	2	Plug - Not a Service Part	27	3304-542	2	● Bushing, Rubber
14	3305-308	1	Flag Assembly	28	3304-548	2	Screw, Cap
15	3305-403	1	Grip, Rear				
16	3304-543	8	Screw, Cap				



HANDLEBAR AND CONTROL ASSEMBLY

0747-133

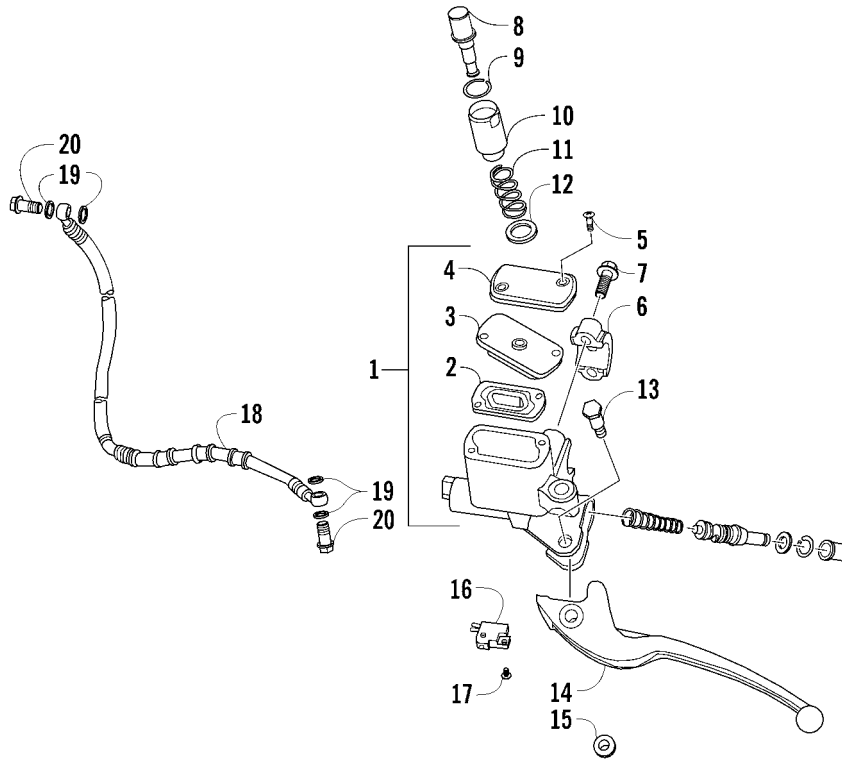
Ref	Part No.	New Qty	Description	Ref	Part No.	New Qty	Description
1	3303-196	2	End Cap, Handlebar	13	3305-867	2	● Bulb
2	3305-905	2	Grip, Handlebar	14	3305-831	1	Light, Indicator - Reverse (inc. one No. 13)
3	3305-348	1	Handlebar	15	3306-392	1	Cover, Handlebar - Black
4	3303-398	4	Screw, Cap	16	9611-752	X 1	Decal, "Arctic Cat"
5	3303-197	1	Clamp, Handlebar - Upper Right	17	3304-029	2	Screw, Cap
	3303-198	1	Clamp, Handlebar - Upper Left	18	3305-998	1	Switch, Ignition - Assembly (inc. 19-20)
6	3303-199	2	Clamp, Handlebar - Lower	19	3304-522	1	● Cover, Key
7	3304-136	2	Washer	20	3305-999	1	● Key, Ignition - Right-Side Cut
8	3305-517	2	Nut		3306-001	1	● Key, Ignition - Left-Side Cut
9	3304-553	2	Screw, Cap	21	3303-424	1	Switch, Handlebar - Assembly
10	3304-506	1	Bracket, Handlebar Cover	22	3303-289	AR	Tie, Cable
11	3303-592	1	Rivet, Reinstallable	23	1502-096	1	Cable, Throttle
12	3305-830	1	Light, Indicator - Neutral (inc. one No. 13)				



THROTTLE CONTROL ASSEMBLY

0745-706

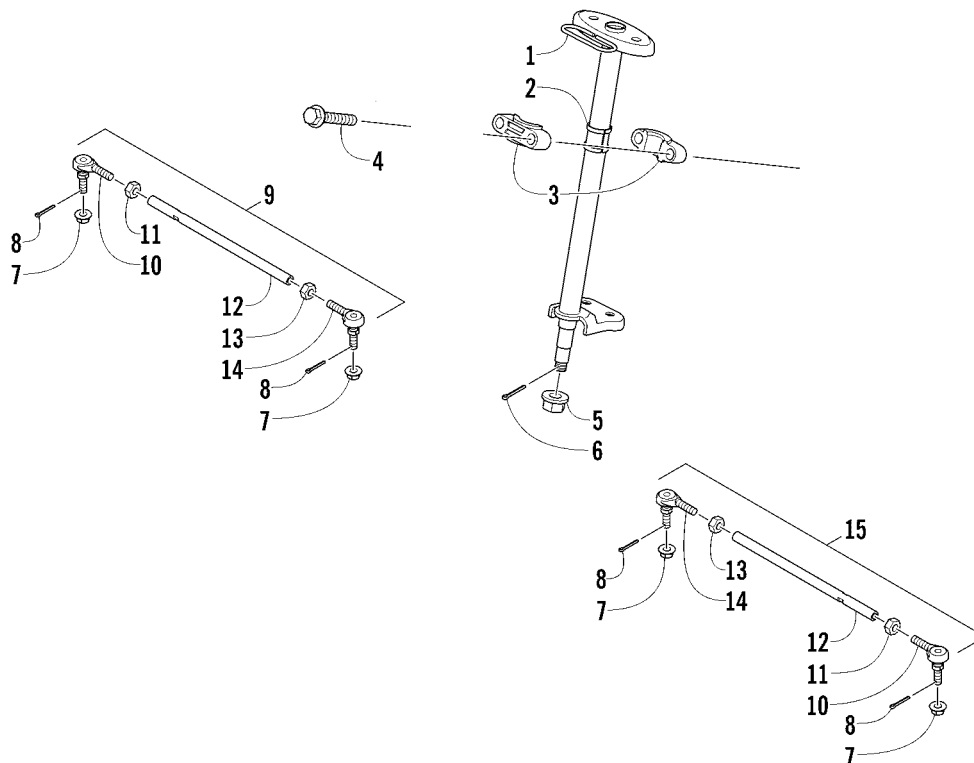
Ref	Part No.	New Qty	Description	Ref	Part No.	New Qty	Description
-	3305-979	1	Complete Throttle Control Assembly	9	3303-255	1	Screw, Shoulder
1	3303-315	2	Screw, Machine	10	3305-980	1	Screw, Machine
2	3303-207	1	Cover, Throttle Control	11	3305-832	1	Nut
3	3303-209	1	Gasket	12	3303-262	1	Nut
4	3303-397	1	Screw, Machine	13	3303-201	1	Retainer, Brake Cable
5	3303-204	1	Housing, Throttle Control	14	3303-202	1	Spacer
6	3303-271	2	Nut	15	3305-344	1	Screw, Cap
7	3303-208	2	Screw, Adjuster	16	3306-054	1	Lever, Brake
8	3303-200	1	Lever, Throttle	17	3303-140	1	Switch, Brake



HYDRAULIC HAND BRAKE ASSEMBLY

0745-826

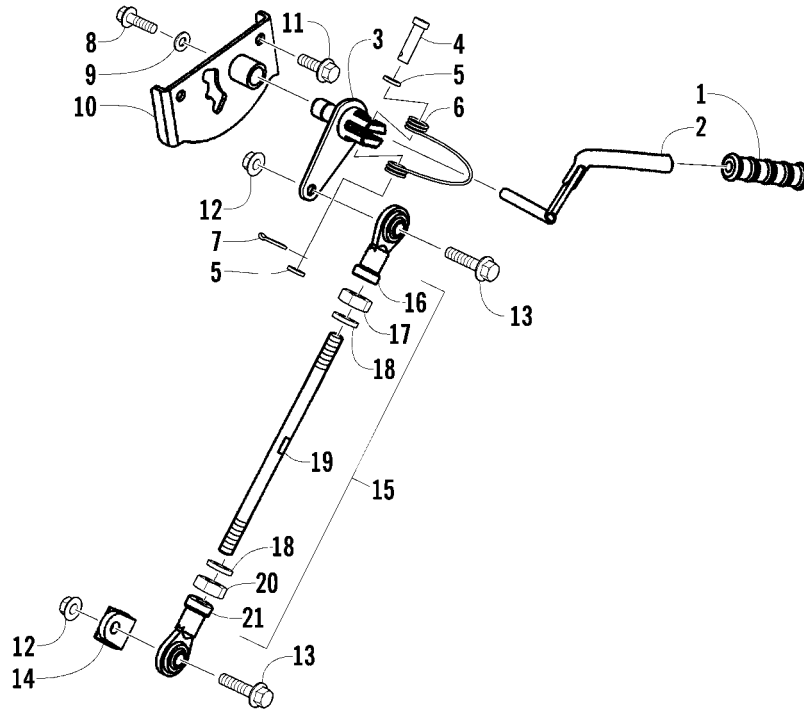
Ref	Part No.	New Qty	Description	Ref	Part No.	New Qty	Description
1	3305-982	1	Brake, Master Cylinder - Assembly (inc. 2-4)	11	3305-990	1	Spring
2	3305-309	1	● Diaphragm	12	3305-989	1	Washer
3	3306-225	1	● Plate, Diaphragm	13	3303-254	1	Screw, Shoulder
4	3303-174	1	● Cover, Master Cylinder	14	3306-207	1	Lever
5	3303-318	2	Screw, Machine	15	3304-654	1	Nut, Lock
6	3305-983	1	Clamp, Handlebar	16	3303-141	1	Switch Assembly
7	3305-297	2	Screw, Cap	17	3303-321	1	Screw, Machine
8	3305-993	1	Button, Park Brake	18	3305-278	1	Hose, Brake - Assembly
9	3305-992	1	Circlip	19	3303-284	4	Washer, Crush
10	3305-991	1	Housing	20	3303-257	2	Bolt, Banjo-Fitting



STEERING POST ASSEMBLY

0745-009

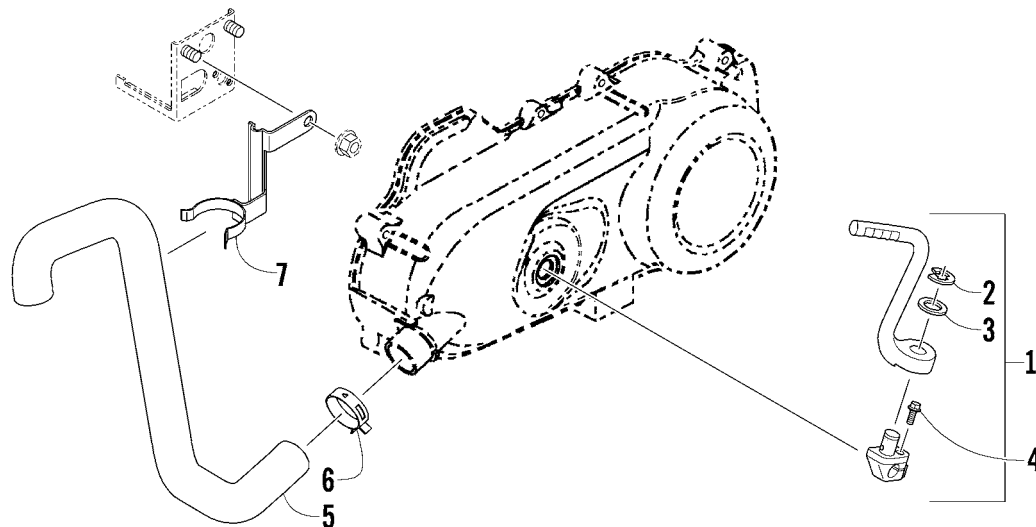
Ref	Part No.	New Qty	Description	Ref	Part No.	New Qty	Description
1	3303-573	1	Post, Steering	10	3305-486	2	● Ball Joint, Tie Rod - Right
2	3305-497	1	Bushing	11	3303-326	2	● Nut
3	3303-213	2	Holder, Steering Post	12	3305-282	2	● Tie Rod
4	3304-559	2	Screw, Cap	13	3303-327	2	● Nut
5	3304-032	1	Nut	14	3305-487	2	● Ball Joint, Tie Rod - Left
6	3303-470	1	Pin, Cotter	15	3305-499	1	Tie Rod Assembly - Left (inc. one No. 10-14)
7	3303-266	4	Nut				
8	3303-621	4	Pin, Cotter				
9	3305-485	1	Tie Rod Assembly - Right (inc. one No. 10-14)				



SHIFT LEVER ASSEMBLY

0744-305

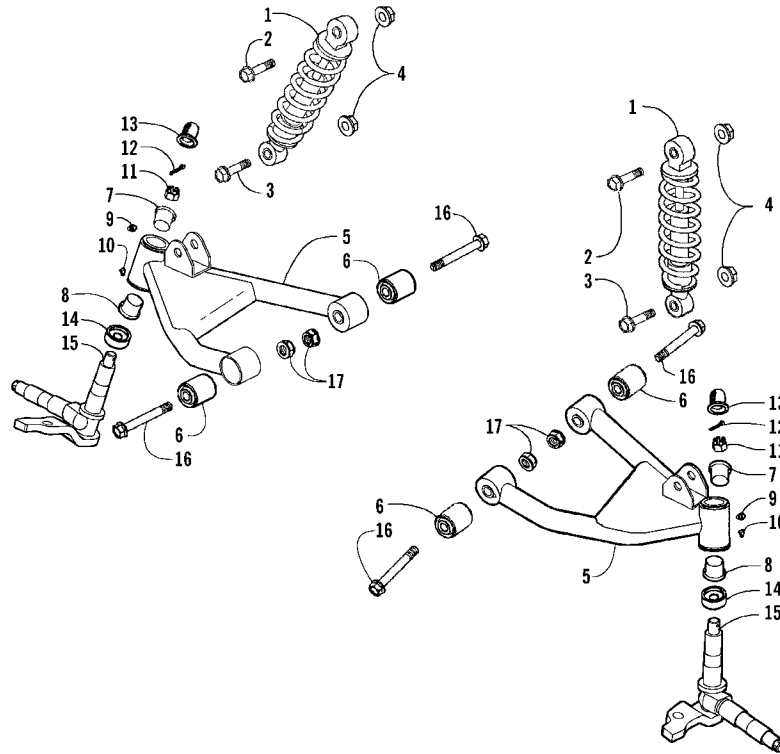
Ref	Part No.	New Qty	Description	Ref	Part No.	New Qty	Description
1	3305-911	1	Handle, Shift Lever	13	3304-176	2	Screw, Cap
2	3305-854	1	Lever, Shift	14	3305-825	1	Bracket, Shift Lever
3	3305-849	1	Pivot, Shift Lever	15	3305-847	1	Shift Linkage Assembly (inc. 16-21)
4	3303-817	1	Pin, Shift Lever	16	-	1	● Ball Joint, Tie Rod - Right - Not a Service Part
5	3305-195	2	Washer	17	-	1	● Nut - Not a Service Part
6	3305-853	1	Spring	18	-	2	● Washer - Not a Service Part
7	3304-142	1	Pin, Cotter	19	-	1	● Tie Rod - Not a Service Part
8	3304-553	1	Screw, Cap	20	-	1	● Nut - Not a Service Part
9	3305-852	1	Washer	21	-	1	● Ball Joint, Tie Rod - Left - Not a Service Part
10	3305-851	1	Bracket, Shift Lever				
11	3304-543	2	Screw, Cap				
12	3304-668	2	Nut, Lock				



KICK STARTER AND COOLING DUCT ASSEMBLY

0744-306

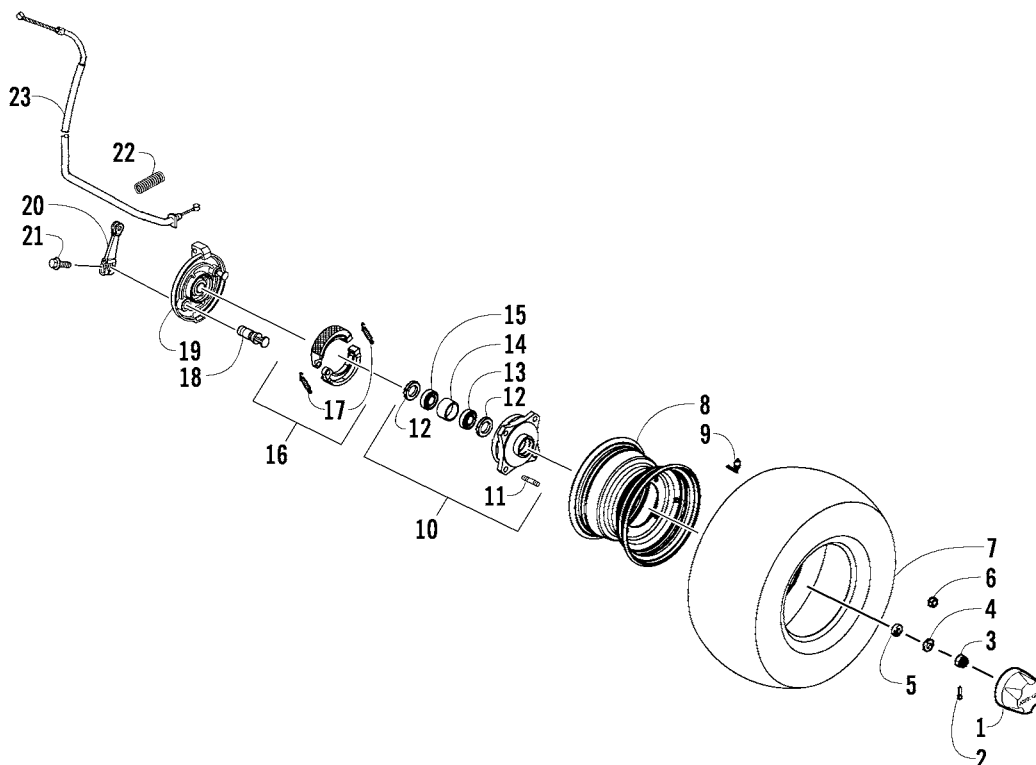
Ref	Part No.	New Qty	Description	Ref	Part No.	New Qty	Description
1	3303-123	1	Arm, Kick Starter (inc. 2-3)	5	3303-010	1	Duct, Cooling
2	3305-247	1	● E-Clip	6	3303-074	1	Clamp
3	3304-138	1	● Washer	7	3303-287	1	Clamp, Routing
4	3304-551	1	Screw, Cap				



FRONT SUSPENSION ASSEMBLY

0742-681

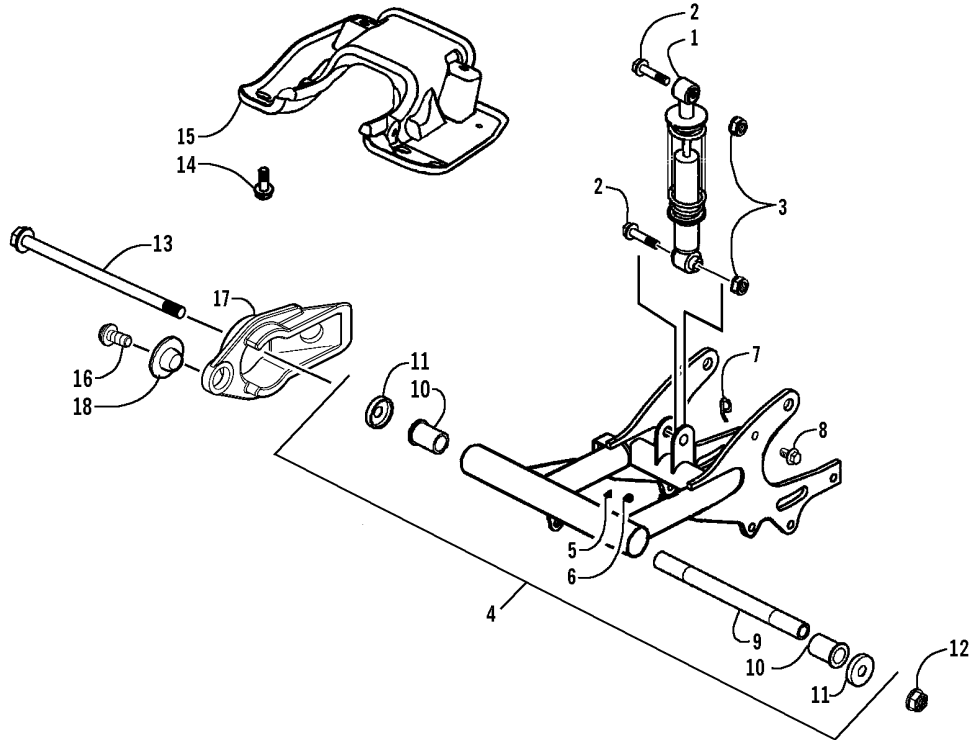
Ref	Part No.	New Qty	Description	Ref	Part No.	New Qty	Description
1	3306-739	2	Shock/Spring Assembly - White	10	3303-394	2	● Cap, Grease Fitting
2	3303-376	2	Screw, Cap	11	3303-329	2	Nut, Castle
3	3303-309	2	Screw, Cap	12	3303-337	2	Pin, Cotter
4	3303-333	4	Nut	13	3303-219	2	Cap
5	3305-994	1	Arm, Swing - Right (inc. 6-10)	14	3303-220	2	Seal
	3305-995	1	Arm, Swing - Left (inc. 6-10)	15	3303-178	1	Shaft, Steering - Right
6	3303-216	4	● Bushing		3303-180	1	Shaft, Steering - Left
7	3303-218	2	● Bushing	16	3304-595	4	Screw, Cap
8	3303-217	2	● Bushing	17	3304-031	4	Nut, Lock
9	3303-393	2	● Fitting, Grease				



FRONT WHEEL AND BRAKE ASSEMBLIES

0744-307

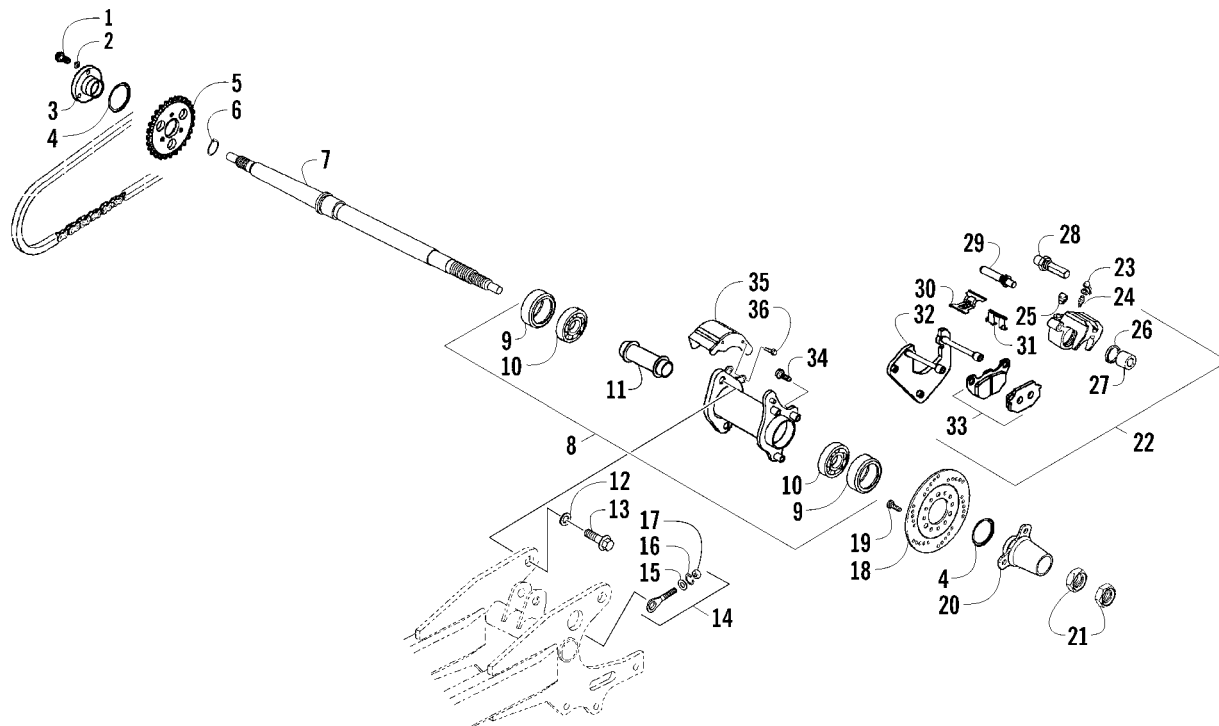
Ref	Part No.	New Qty	Description	Ref	Part No.	New Qty	Description
1	3303-430	2	Cap, Wheel	14	3303-445	2	● Spacer
2	3303-470	2	Pin, Cotter	15	3303-467	2	● Bearing
3	3303-328	2	Nut, Castle	16	3303-169	2	Shoe, Brake - Assembly (inc. 17)
4	3303-279	2	Washer	17	3304-563	2	● Spring
5	3303-164	2	Collar, Wheel	18	3303-170	2	Cam, Brake
6	3303-266	8	Nut	19	3303-168	1	Panel - Front - Right
7	3303-429	2	Tire - Assembly		3303-176	1	Panel - Front - Left
8	3303-166	2	Wheel - Assembly	20	3303-171	1	Arm, Brake - Right
9	3303-887	2	Stem, Valve		3303-177	1	Arm, Brake - Left
10	3303-165	2	Hub Assembly (inc. 11-15)	21	3303-355	2	Screw, Cap
11	3303-463	8	● Bolt, Stud	22	3303-172	2	Spring, Return
12	3303-456	4	● Seal	23	3303-173	2	Cable, Brake
13	3303-468	2	● Bearing				



REAR SUSPENSION ASSEMBLY

0742-234

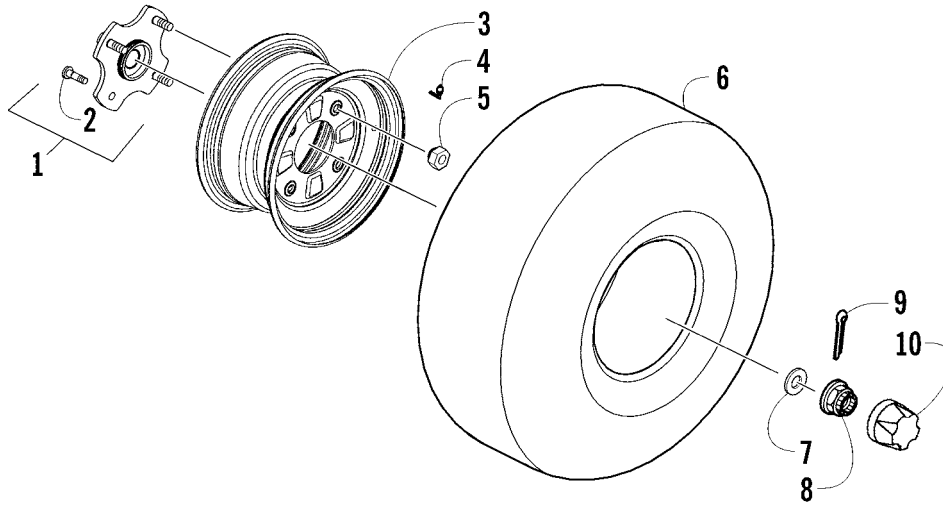
Ref	Part No.	New Qty	Description	Ref	Part No.	New Qty	Description
1	3306-740	1	Shock/Spring - Assembly - White	10	3303-191	2	● Bushing
2	3303-376	2	Screw, Cap	11	3303-192	2	● Cap
3	3304-031	2	Nut, Lock	12	3304-032	1	Nut
4	3305-858	1	Fork, Rear - Assembly (inc. 5-11)	13	3303-150	1	Screw, Cap
5	3303-394	1	● Cap, Grease Fitting	14	3305-454	4	Screw, Cap
6	3303-393	1	● Fitting, Grease	15	3305-996	1	Guard, Rear Suspension
7	3304-594	1	● Clamp, Routing	16	3304-690	2	Screw, Self-Tapping
8	3305-341	1	● Screw, Cap	17	3305-859	1	Guide, Chain
9	3303-189	1	● Axle	18	3304-360	2	Bushing



REAR AXLE AND BRAKE ASSEMBLY

0745-230

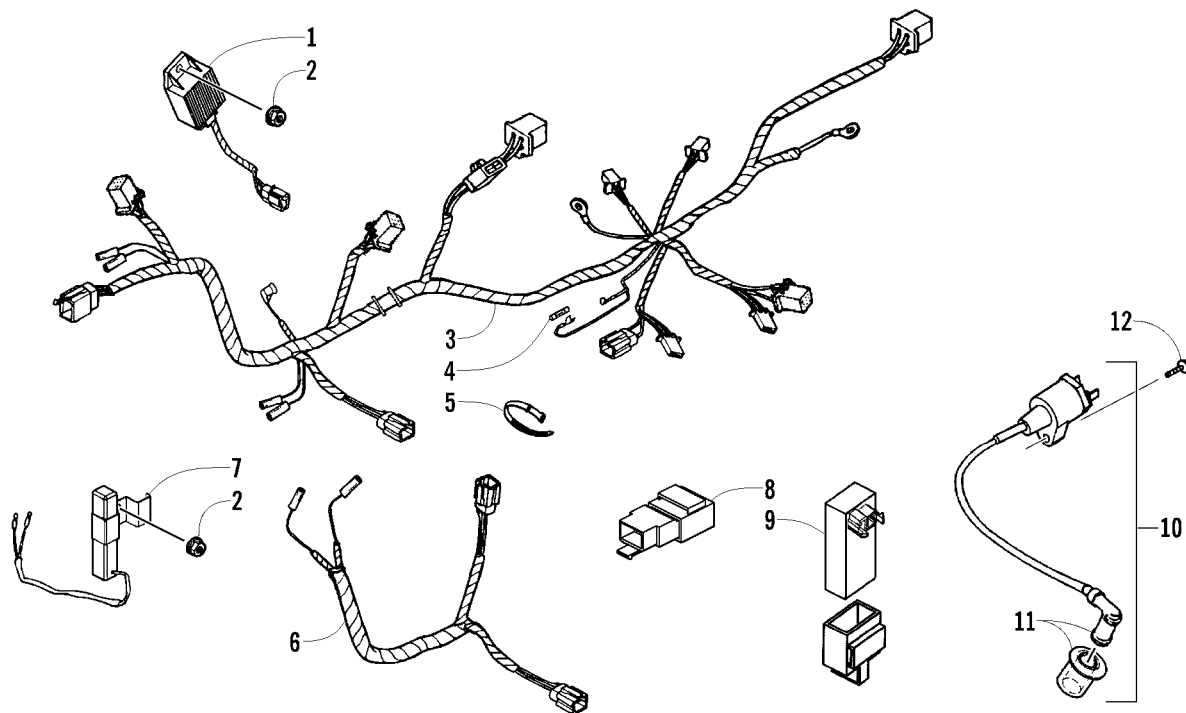
Ref	Part No.	New Qty	Description	Ref	Part No.	New Qty	Description
1	3304-565	3	Screw, Cap	19	3303-253	3	Screw, Cap
2	3303-607	3	Washer, Lock	20	3305-249	1	Bracket, Brake Disc
3	3305-835	1	Retainer, Sprocket	21	3305-839	2	Nut
4	3305-298	2	O-Ring	22	3305-997	1	Caliper, Rear - Assembly (inc. 23-33)
5	3303-148	1	Sprocket, Final Drive	23	3304-303	1	● Cap, Bleed Valve
6	3305-840	1	Ring, Retaining	24	3304-302	1	● Valve, Bleed
7	3305-838	1	Axle, Rear	25	3304-333	1	● Plug
8	3305-347	1	Housing, Rear Axle (inc. 9-11)	26	3305-380	1	● Seal, Piston
9	3303-461	2	● Seal	27	3304-314	1	● Piston
10	3303-466	2	● Bearing	28	3304-589	1	● Pin w/Boot
11	3303-427	1	● Spacer	29	3304-590	1	● Pin w/Boot
12	3303-281	3	Washer	30	3304-591	1	● Spring
13	3303-379	4	Screw, Cap	31	3305-377	1	● Seal
14	3303-147	1	Adjuster, Chain - Assembly (inc. 15-17)	32	3303-469	1	● Bracket
15	3304-135	1	● Washer	33	3304-567	1	● Pad, Brake - Assembly
16	3303-607	1	● Washer, Lock	34	3303-256	2	Screw, Cap
17	3304-125	1	● Nut	35	3303-144	1	Guard, Chain
18	3303-162	1	Disc, Brake	36	3304-610	2	Screw, Cap



REAR WHEEL ASSEMBLY

0745-013

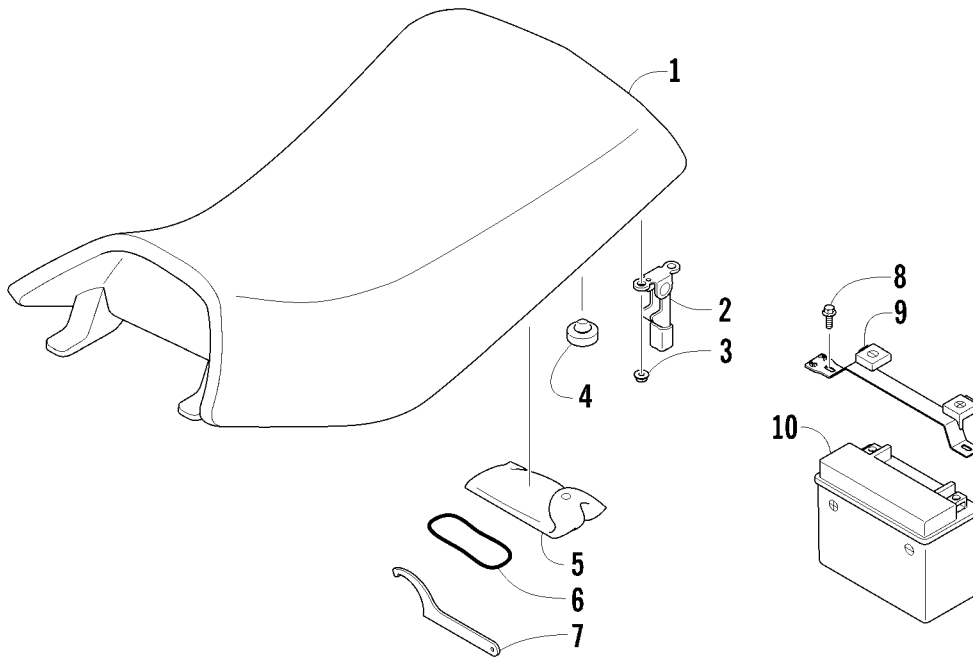
Ref	Part No.	New Qty	Description	Ref	Part No.	New Qty	Description
1	3305-869	2	Hub, Wheel (inc. 2)	6	3303-428	2	Tire
2	3303-250	8	● Bolt, Stud	7	3305-285	2	Washer
3	3303-156	2	Wheel - Assembly	8	3303-330	2	Nut, Lock
4	3304-562	2	Stem, Valve	9	3303-340	2	Pin, Cotter
5	3303-266	8	Nut	10	3303-430	2	Cap, Wheel



ELECTRICAL AND WIRING HARNESS ASSEMBLY

0745-014

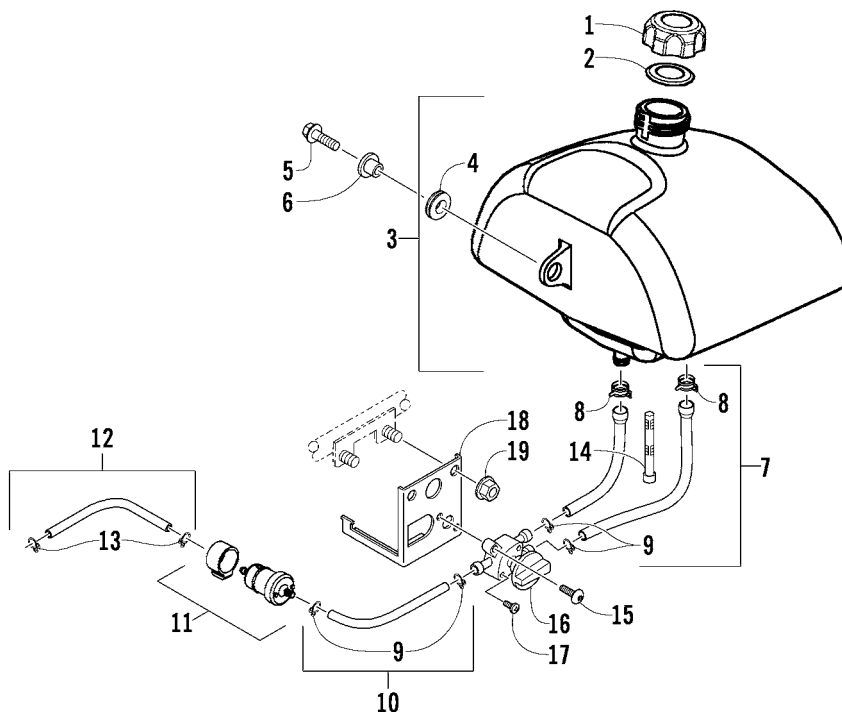
Ref	Part No.	New Qty	Description	Ref	Part No.	New Qty	Description
1	3303-132	1	Regulator, Voltage	7	3303-142	1	Resistor
2	3304-654	2	Nut, Lock	8	3303-143	1	Relay, Starter
3	3305-860	1	Harness, Main (inc. 4)	9	3305-861	1	CDI Unit
4	3303-399	2	● Fuse	10	3303-125	1	Coil Assembly - Ignition (inc. 11)
5	3303-289	AR	Tie, Cable	11	3303-126	1	● Cap, Noise Suppression
6	3306-002	1	Harness, Extension	12	3303-252	1	Screw, Cap



SEAT, BATTERY, AND TOOL KIT ASSEMBLIES

0745-830

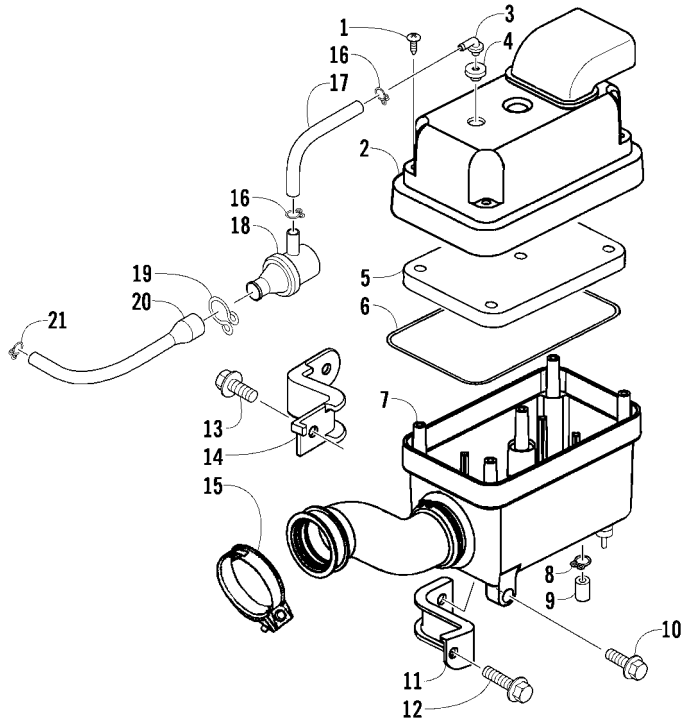
Ref	Part No.	New Qty	Description	Ref	Part No.	New Qty	Description
1	3304-497	1	Seat Assembly (inc. 2-4)	6	3303-242	1	Retainer, Tool Kit
2	3304-392	1	● Latch, Seat	7	1441-797	1	Wrench, Spanner - Optional
3	3304-654	2	● Nut, Lock	8	3303-263	2	Screw, Cap
4	3304-568	2	● Bumper, Seat	9	3303-182	1	Hold-Down, Battery
5	3303-578	1	Kit, Tool	10	3303-131	1	Battery



GAS TANK ASSEMBLY

0744-311

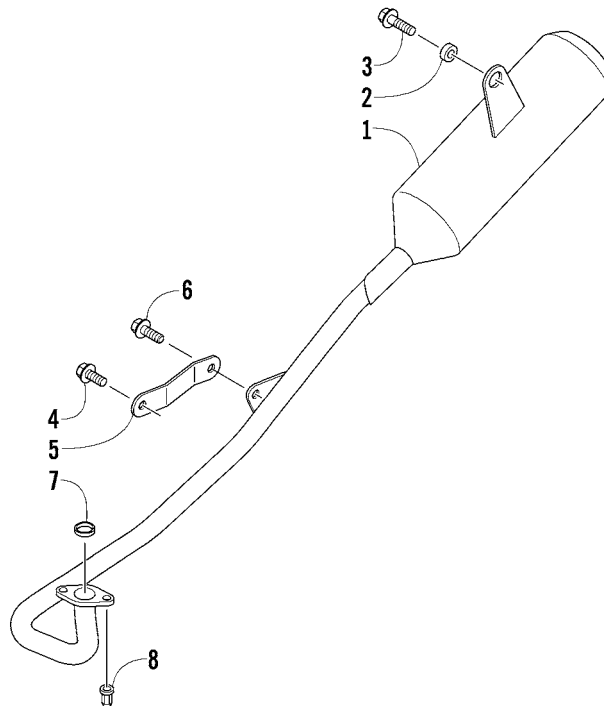
Ref	Part No.	New Qty	Description	Ref	Part No.	New Qty	Description
1	3306-003	1	Cap, Gas Tank	11	3303-699	1	Filter, Fuel - Assembly
2	3303-068	1	Seal, Gas Tank Cap	12	3305-522	1	Hose Assembly (inc. 13)
3	3305-488	1	Tank, Gas - Assembly (inc. 4)	13	3303-348	2	● Clamp, Hose
4	3303-406	2	● Grommet	14	3303-058	1	Strainer, Fuel
5	3303-383	2	Screw, Cap	15	3303-316	2	Screw, Machine
6	3303-226	2	Insert	16	3303-057	1	Shut-Off, Fuel (inc. 17)
7	3305-489	2	Hose Assembly (inc. 8 and two No. 9)	17	3304-120	2	● Screw, Machine
8	3303-351	2	● Clamp, Hose	18	3305-294	1	Bracket, Mounting - Fuel Shut-Off
9	3303-349	4	● Clamp, Hose	19	3304-654	2	Nut, Lock
10	3305-521	1	Hose Assembly (inc. two No. 9)				



AIR INTAKE ASSEMBLY

0744-309

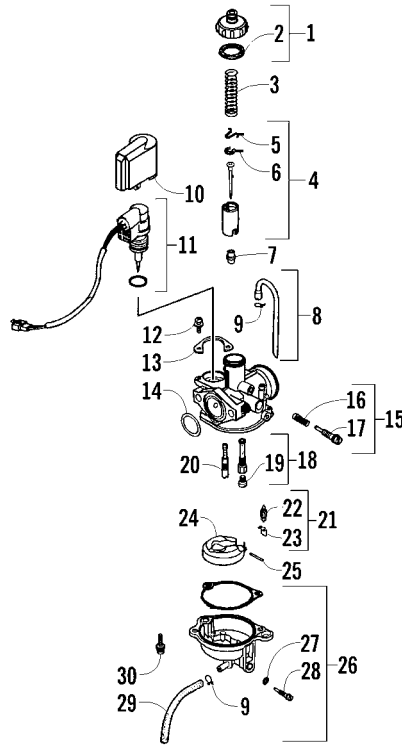
Ref	Part No.	New Qty	Description	Ref	Part No.	New Qty	Description
1	3305-450	5	Screw, Self-Tapping	12	3303-361	1	Screw, Cap
2	3303-062	1	Cover, Air Intake (inc. 3-4)	13	3305-458	2	Screw, Cap
3	3305-179	1	● Fitting	14	3305-841	1	Bracket, Mounting
4	3305-180	1	● Grommet	15	3303-288	1	Clamp
5	3303-060	1	Filter	16	3303-350	2	Clamp
6	3303-063	1	Seal	17	3305-844	1	Hose
7	3305-842	1	Housing, Air Intake (inc. 8-9)	18	3303-064	1	Catch, Air Cleaner Element
8	3305-315	1	● Clamp	19	3303-052	1	Clamp
9	3304-168	1	● Tube, Drain	20	3303-001	1	Hose
10	3304-551	1	Screw, Cap	21	3303-352	1	Clamp
11	3303-005	1	Bracket, Mounting				



EXHAUST ASSEMBLY

0744-310

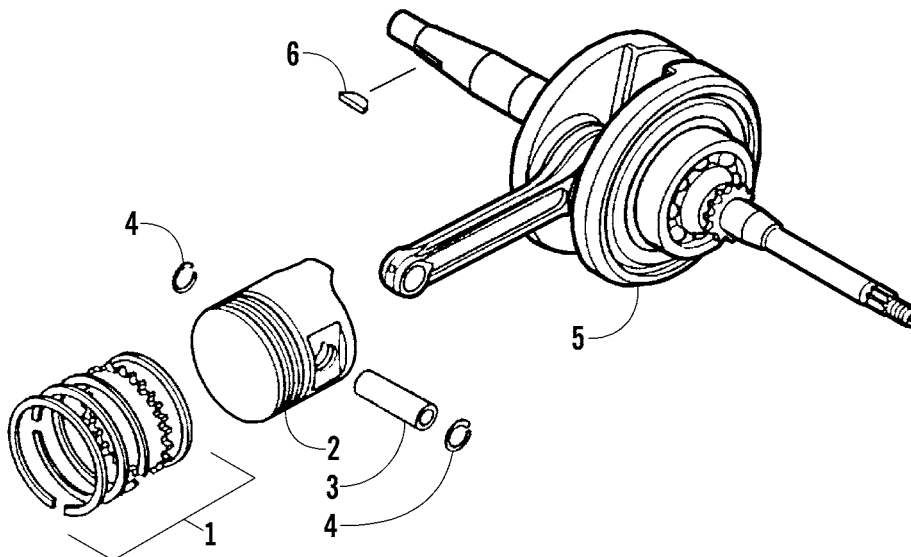
Ref	Part No.	New Qty	Description	Ref	Part No.	New Qty	Description
1	3303-407	1	Muffler - Assembly (inc. 2)	5	3304-573	1	Bracket, Mounting - Muffler
2	3304-571	1	● Bushing	6	3304-543	1	Screw, Cap
3	3305-845	1	Screw, Cap	7	3303-071	1	Gasket
4	3303-314	1	Screw, Cap	8	3303-261	2	Nut, Cap



CARBURETOR ASSEMBLY

0745-839

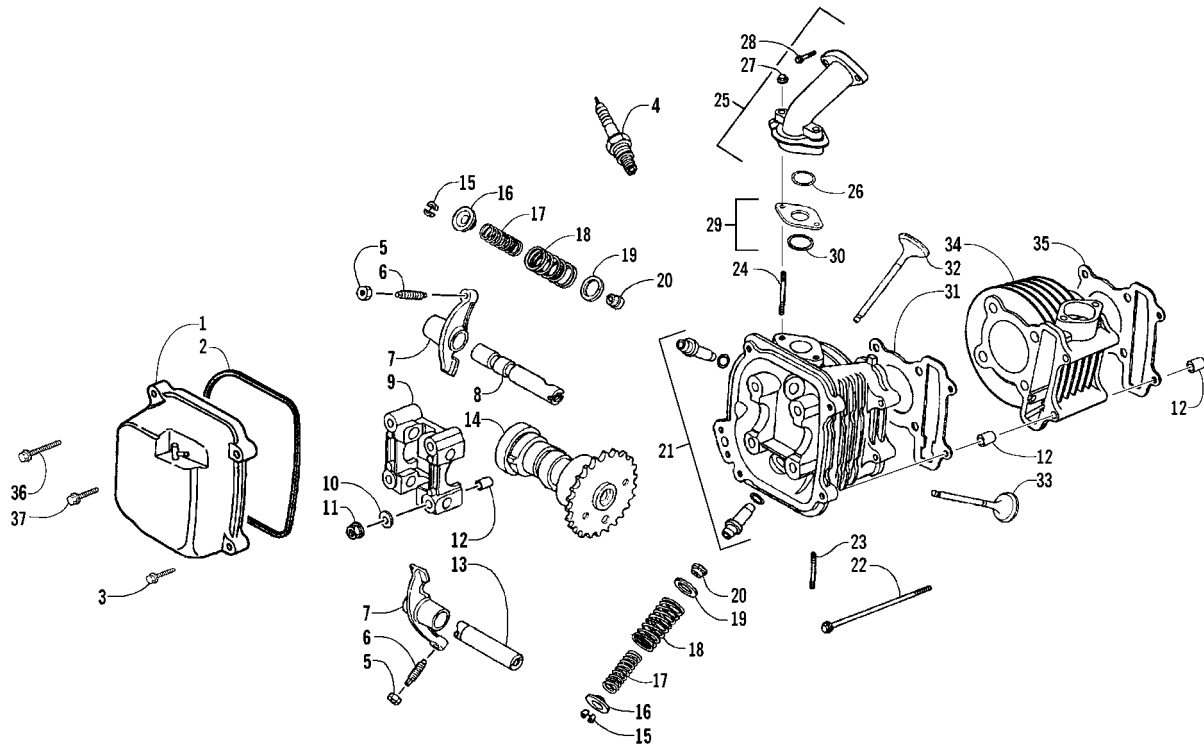
Ref	Part No.	New Qty	Description	Ref	Part No.	New Qty	Description
-	3306-433	1	Complete Carburetor Assembly	17	3304-478	1	● Screw, Stop
1	3304-462	1	Set, Top (inc. 2)	18	3304-479	1	Holder, Needle Jet - Assembly (inc. 19)
2	3304-463	1	● Gasket	19	3304-482	1	● Jet, Main - 80
3	3304-464	1	Spring, Compression		5507-170	1	● Jet, Main - 75 - Optional
4	3304-467	1	Valve, Throttle - Assembly (inc. 5-6)		5507-220	1	● Jet, Main - 78 - Optional
5	3304-465	1	● Clip, Spring	20	3304-489	1	Jet, Slow
6	3304-466	1	● E-Ring	21	3304-490	1	Valve, Float - Assembly (inc. 22-23)
7	3304-468	1	Needle Jet	22	3306-752	1	● Valve, Float
8	3304-472	1	Hose Assembly (inc. one No. 9)	23	3304-484	1	● Clip
9	5507-161	2	● Clamp, Hose	24	3304-491	1	Float Assembly
10	3304-469	1	Cover	25	3304-485	1	Pin, Float
11	3304-470	1	Automatic Bypass/Starter Assembly	26	3304-486	1	Chamber, Float w/Gasket (inc. one No. 9 and 27-29)
12	5507-117	2	Screw, Machine	27	3304-239	1	● O-Ring
13	3304-471	1	Plate, Retaining	28	3304-243	1	● Screw, Drain
14	3304-488	1	O-Ring	29	3305-248	1	● Hose
15	3304-477	1	Screw, Stop - Assembly (inc. 16-17)	30	3303-320	2	Screw, Machine
16	3304-232	1	● Spring				



PISTON AND CRANKSHAFT ASSEMBLY

0744-291

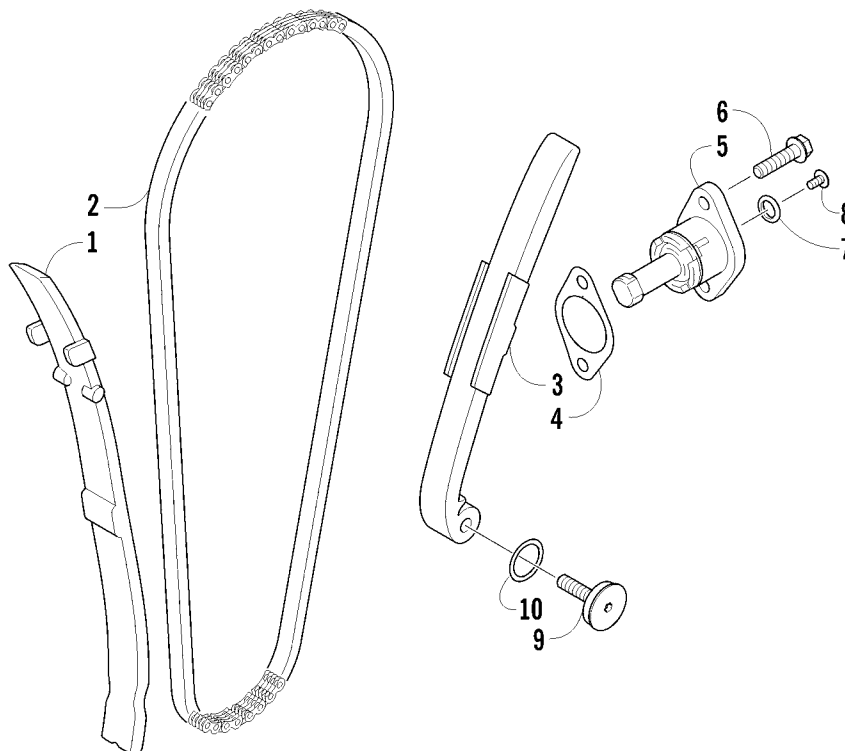
Ref	Part No.	New Qty	Description	Ref	Part No.	New Qty	Description
1	3303-024	1	Ring, Piston - Set	4	3303-027	2	Clip, Piston Pin
2	3303-025	1	Piston	5	3305-443	1	Crankshaft
3	3303-026	1	Pin, Piston	6	3303-290	1	Key



CYLINDER HEAD ASSEMBLY

0744-290

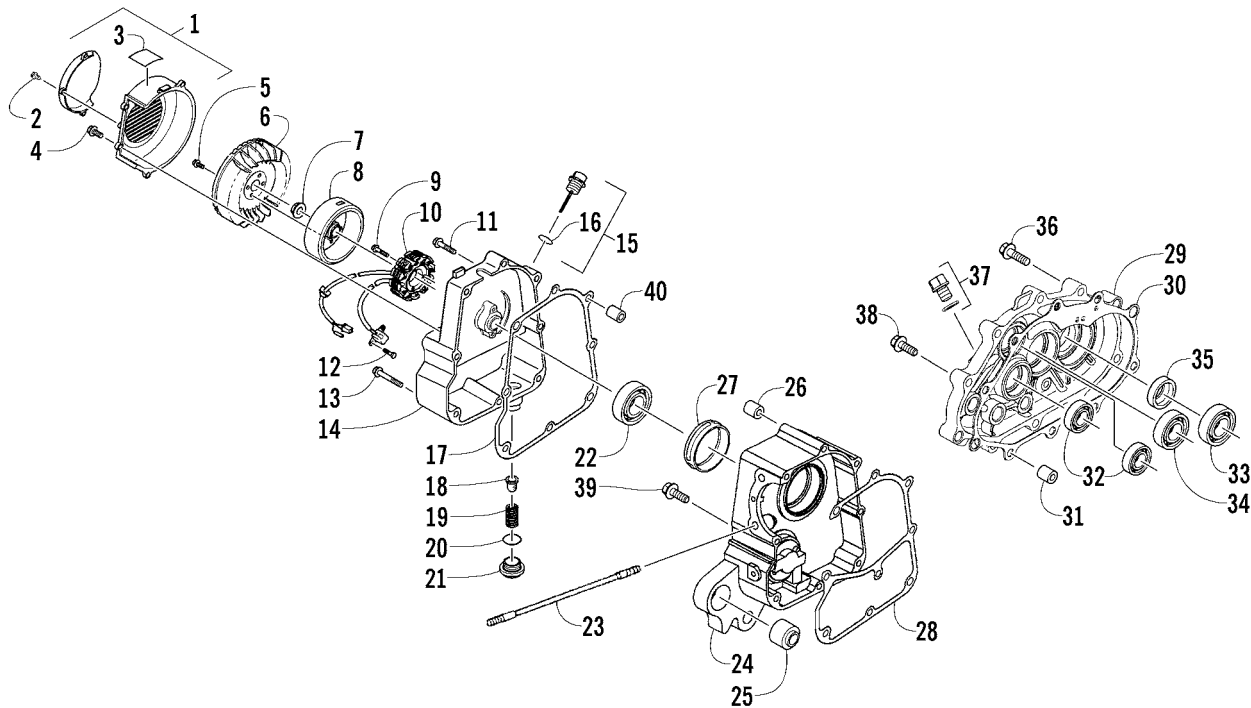
Ref	Part No.	New	Qty	Description	Ref	Part No.	New	Qty	Description
1	3305-292		1	Cover, Head	20	3303-657		2	Seal, Valve Stem
2	3304-616		1	Gasket	21	3303-016		1	Head, Cylinder
3	3303-360		2	Screw, Cap	22	3303-389		2	Screw, Cap
4	0217-726		1	Spark Plug - CR7HSA	23	3303-249		2	Bolt, Stud
5	3304-026		2	Nut	24	3303-310		2	Bolt, Stud
6	3304-007		2	Screw, Adjuster	25	3303-059		1	Pipe, Intake - Assembly (inc. 26)
7	3303-031		2	Valve, Rocker Arm	26	3303-304		1	● O-Ring
8	3303-032		1	Shaft, Rocker Arm - Intake	27	3304-654		2	Nut, Lock
9	3303-018		1	Retainer, Camshaft	28	3303-384		2	Screw, Cap
10	3304-048		4	Washer	29	3303-511		1	Insulator, Carburetor - Assembly (inc. 30)
11	3303-332		4	Nut	30	3304-596		1	● O-Ring
12	3303-342		6	Pin, Dowel	31	3303-019		1	Gasket, Cylinder Head
13	3303-033		1	Shaft, Rocker Arm - Exhaust	32	3303-038		1	Valve, Intake
14	3304-617		1	Camshaft	33	3303-039		1	Valve, Exhaust
15	3303-044		4	Cotter, Valve	34	3303-014		1	Cylinder
16	3303-042		2	Retainer, Valve Spring	35	3303-015		1	Gasket, Cylinder
17	3303-041		2	Spring, Valve - Inner	36	3303-363		1	Screw, Cap
18	3303-040		2	Spring, Valve - Outer	37	3303-362		1	Screw, Cap
19	3303-043		2	Seat, Valve Spring - Outer					



CAM CHAIN ASSEMBLY

0745-231

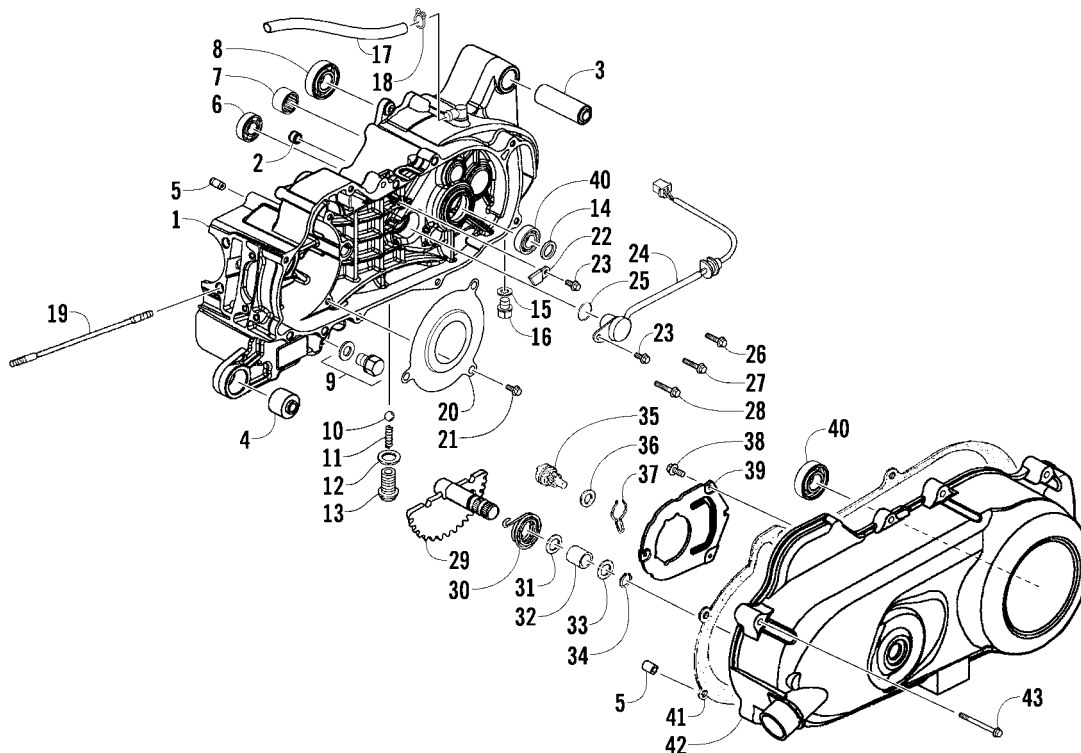
Ref	Part No.	New Qty	Description	Ref	Part No.	New Qty	Description
1	3303-037	1	Guide, Chain	6	3304-002	2	Screw, Cap
2	3303-030	1	Chain, Cam	7	3304-100	1	O-Ring
3	3303-034	1	Tensioner, Chain	8	3303-244	1	Screw, Adjuster
4	3303-035	1	Gasket	9	3303-036	1	Adjuster, Tension
5	3303-677	1	Tensioner Assembly	10	3303-301	1	O-Ring



RIGHT CRANKCASE AND COVER ASSEMBLY

0747-135

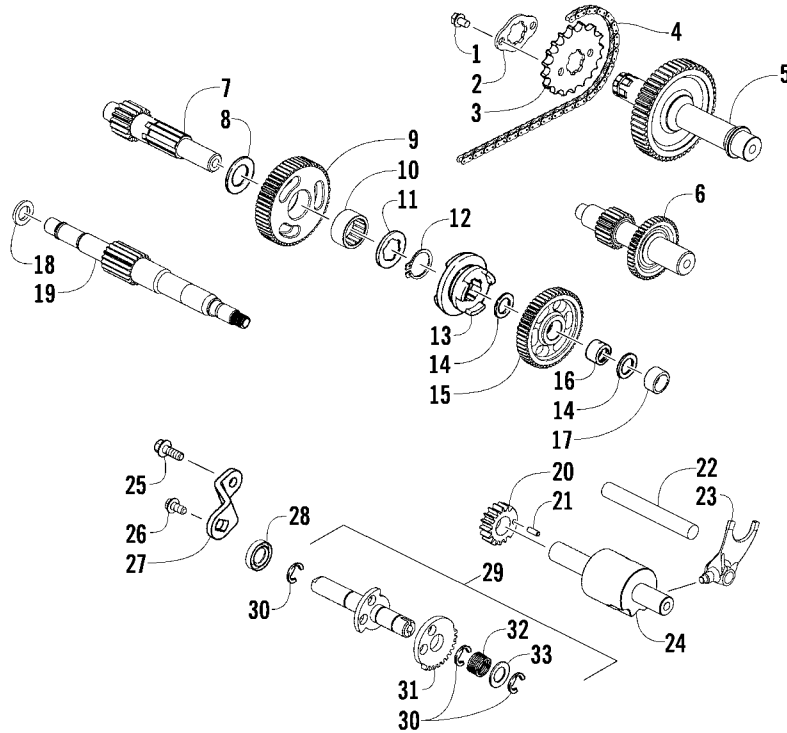
Ref	Part No.	New	Qty	Description	Ref	Part No.	New	Qty	Description
1	3305-910		1	Cover, Fan - Assembly	19	3303-692		1	Spring
2	3305-651		3	● Screw, Self-Tapping	20	3304-096		1	O-Ring
3	2411-052		1	● Decal, Shift	21	3303-021		1	Cap, Inspection
4	3303-384		2	Screw, Cap	22	3303-296		1	Seal, Oil
5	3303-382		4	Screw, Cap	23	3303-247		2	Bolt, Stud
6	3303-075		1	Fan, Cooling	24	3303-400		1	Crankcase (inc. 25-27)
7	3303-333		1	Nut	25	3303-402		1	● Bushing, Rubber - Engine Mount
8	3303-127		1	Rotor/Flywheel (A) - D402	26	3304-065		2	● Plug
	3303-414		1	Rotor/Flywheel (B) - D406	27	-		1	● Insert - Not a Service Part
	3303-415		1	Rotor/Flywheel (C) - D414	28	3303-003		1	Gasket, Crankcase
9	3303-383		2	Screw, Cap	29	3305-806		1	Case, Transmission
10	3304-641		1	Stator - Assembly (O) - D402	30	3305-807		1	Gasket, Transmission Case
	3305-254		1	Stator - Assembly (A) - D406	31	3303-342		2	Pin, Dowel
	3305-256		1	Stator - Assembly (B) - D414	32	3303-596		2	Bearing
11	3304-580		4	Screw, Cap	33	3305-821		1	Bearing
12	3303-308		2	Screw, Cap	34	3304-909		1	Bearing
13	3303-390		4	Screw, Cap	35	3305-808		1	Seal, Oil
14	3303-007		1	Cover, Crankcase	36	3303-615		2	Screw, Cap
15	3303-050		1	Gauge, Oil Level - Assembly (inc. 16)	37	3304-052		1	Plug, Fill
16	3304-102		1	● O-Ring	38	3305-468		8	Screw, Cap
17	3303-012		1	Gasket, Crankcase Cover	39	3303-387		1	Screw, Cap
18	3303-691		1	Screen, Filter	40	3303-341		2	Pin, Dowel



LEFT CRANKCASE AND COVER ASSEMBLY

0744-289

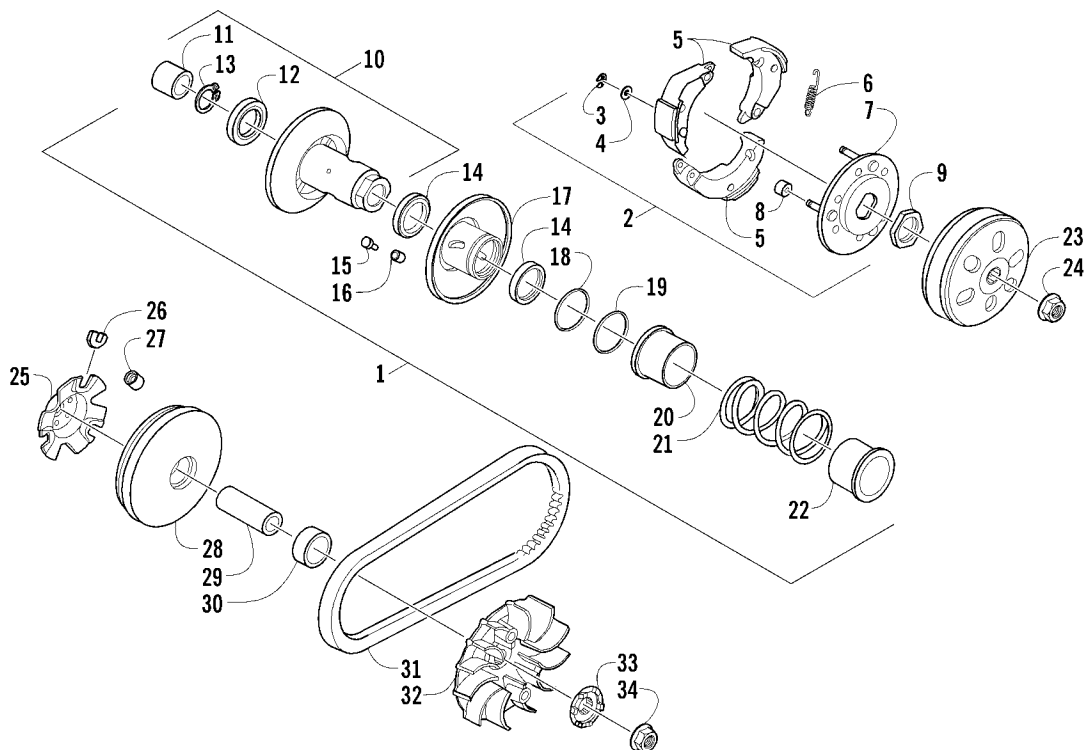
Ref	Part No.	New Qty	Description	Ref	Part No.	New Qty	Description
1	3305-795	1	Crankcase (inc. 2-4)	23	3304-187	2	Screw, Cap
2	3304-597	1	● Plug	24	3305-797	1	Switch, Gear Shift (inc. 25)
3	3305-906	1	● Bushing, Rubber - Engine Mount	25	3305-776	1	● O-Ring
4	3303-402	1	● Bushing, Rubber - Engine Mount	26	3303-385	1	Screw, Cap
5	3303-341	4	Pin, Dowel	27	3303-370	6	Screw, Cap
6	3304-905	1	Bearing	28	3303-372	1	Screw, Cap
7	3304-074	1	Bearing	29	3303-119	1	Spindle, Kick Starter
8	3304-699	1	Bearing	30	3303-122	1	Spring
9	3304-052	1	Plug, Drain	31	3303-121	1	Spacer
10	3304-205	1	Bearing, Ball	32	3303-120	1	Bushing
11	3304-063	1	Spring, Seat	33	3303-276	1	Washer
12	3304-021	1	Washer	34	3303-345	1	Ring, Retaining
13	3304-109	1	Screw, Seat	35	3303-118	1	Gear, Driven
14	3303-297	1	Seal, Oil	36	3303-272	1	Washer, Thrust
15	3303-278	1	Washer	37	3303-117	1	Spring
16	3303-365	1	Plug, Drain	38	3303-391	3	Screw, Cap
17	3305-798	1	Hose, Vent	39	3303-009	1	Plate, Cover
18	3303-714	1	Clamp, Hose	40	3303-465	2	Bearing
19	3303-248	2	Bolt, Stud	41	3303-013	1	Gasket, Crankcase Cover
20	3304-460	1	Plate, Dust	42	3305-907	1	Cover, Crankcase
21	3303-381	3	Screw, Cap	43	3303-386	7	Screw, Cap
22	3304-040	1	Retainer, Bearing				



TRANSMISSION ASSEMBLY

0744-294

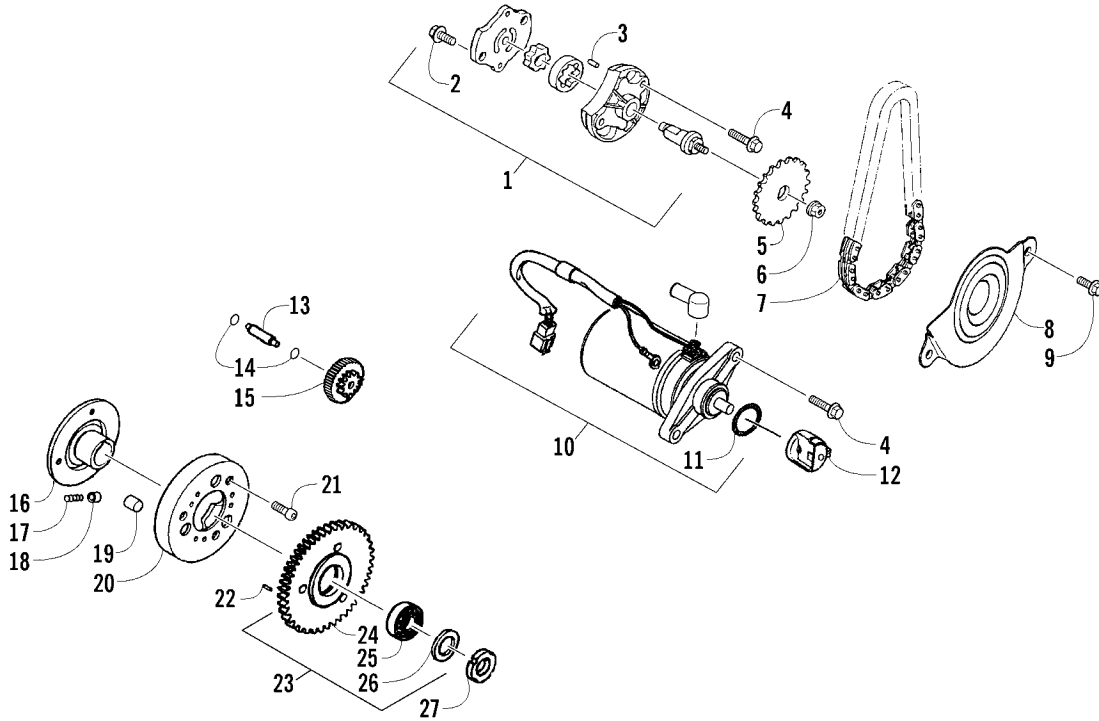
Ref	Part No.	New Qty	Description	Ref	Part No.	New Qty	Description
1	3303-307	2	Screw, Cap	18	3303-588	1	Washer
2	3303-108	1	Plate, Retaining	19	3305-813	1	Driveshaft
3	3305-814	1	Sprocket, Drive	20	3306-008	1	Gear, Drum Shift
4	3305-820	1	Chain, Drive	21	3306-007	1	Pin, Alignment
5	3305-805	1	Shaft, Final	22	3304-513	1	Shaft, Shift Fork
6	3305-822	1	Countershaft - Assembly	23	3305-815	1	Fork, Shift
7	3305-809	1	Shaft, Main	24	3306-006	1	Cam, Gear Shift - Assembly
8	3304-042	1	Washer, Thrust	25	3303-365	1	Screw, Cap
9	3305-811	1	Gear, Reverse	26	3304-652	1	Screw, Cap
10	3304-074	1	Bearing	27	3305-825	1	Bracket, Spindle Assembly
11	3305-812	1	Washer	28	3304-900	1	Seal, Oil
12	3303-344	1	Circlip	29	3305-817	1	Spindle Assembly (inc. 30-33)
13	3305-029	1	Gear Select, Sliding	30	3304-153	3	● E-Ring
14	3303-275	2	Washer, Thrust	31	3303-815	1	● Gear, Shift
15	3305-810	1	Gear, Forward	32	3305-818	1	● Spring
16	3305-024	1	Bushing	33	3304-036	1	● Washer, Thrust
17	3305-028	1	Spacer				



CLUTCH ASSEMBLY

0747-163

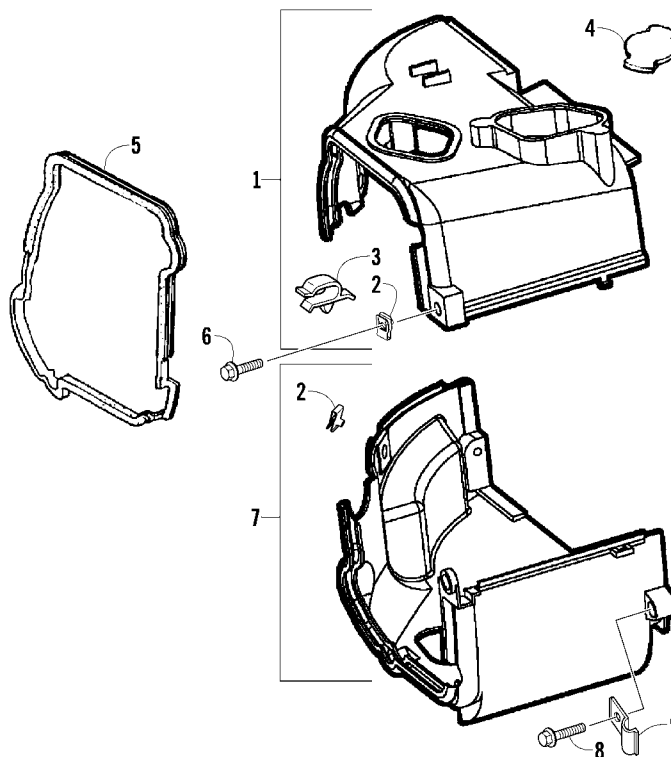
Ref	Part No.	New Qty	Description	Ref	Part No.	New Qty	Description
1	3303-411	1	Pulley, Driven - Assembly (inc. 2-21)	18	3303-603	1	● O-Ring
2	3303-090	1	● Clutch, Centrifugal - Assembly (inc. 3-8)	19	3304-619	1	● O-Ring
3	3304-618	3	●● E-Ring	20	3303-102	1	● Collar
4	3303-274	3	●● Washer, Thrust	21	3303-100	1	● Spring
5	3306-733	3	●● Weight, Clutch	22	3303-101	1	● Collar
6	3303-092	3	●● Spring	23	3303-082	1	Clutch, Outer
7	3303-091	1	●● Plate, Clutch	24	3303-333	1	Nut
8	3303-094	3	●● Roller	25	3303-088	1	Plate, Ramp
9	3304-025	1	● Nut	26	3303-089	3	Slide
10	3303-096	1	● Face, Driven - Fixed (inc. 11-13)	27	3303-087	6	Roller
11	3303-294	1	●● Bearing	28	3303-086	1	Face, Drive - Movable
12	3303-291	1	●● Bearing	29	3303-409	1	Sleeve
13	3303-346	1	●● Circlip	30	3303-410	1	Collar
14	3303-299	2	● Seal, Oil	31	3303-095	1	Belt, Drive
15	3303-098	3	● Guide, Pin	32	3303-083	1	Face, Drive - Fixed
16	3303-099	3	● Guide, Roller	33	3303-116	1	Ratchet, Kick Starter
17	3303-097	1	● Face, Driven - Movable	34	3303-334	1	Nut



STARTER MOTOR AND OIL PUMP ASSEMBLY

0747-162

Ref	Part No.	New Qty	Description	Ref	Part No.	New Qty	Description
1	3303-045	1	Pump, Oil - Assembly (inc. 2-3)	15	3303-109	1	Gear, Starter Reduction
2	3304-426	1	● Screw, Cap	16	3303-115	1	Plate, Starter Clutch
3	3304-144	1	● Pin, Dowel	17	3303-113	3	Spring
4	3303-384	4	Screw, Cap	18	3303-114	3	Roller, Starter
5	3303-046	1	Sprocket	19	3303-293	3	Roller
6	3304-654	1	Nut, Lock	20	3303-112	1	Clutch, Outer
7	3303-047	1	Chain, Oil Pump	21	3303-396	3	Screw, Cap
8	3303-051	1	Separator, Oil	22	3303-395	1	Pin, Alignment
9	3303-381	2	Screw, Cap	23	3306-806	X	Gear, Starter Assembly (inc. 24-26)
10	3305-802	1	Motor, Starter (inc. 11)	24	3306-803	X	● Gear, Starter
11	3303-604	1	● O-Ring	25	3303-292	1	● Bearing
12	3303-130	1	Cover, Starter	26	3303-285	1	● Circlip
13	3303-110	1	Shaft, Starter Reduction	27	3303-258	1	Nut
14	3303-282	2	Washer				



ENGINE SHROUD ASSEMBLY

0744-297

Ref	Part No.	New Qty	Description	Ref	Part No.	New Qty	Description
1	3305-803	1	Shroud, Upper - Assembly (inc. one No. 2 and 3-4)	6	3303-382	2	Screw, Cap
2	3303-267	2	● Clip, U-Nut	7	3303-078	1	Shroud, Lower - Assembly (inc. one No. 2)
3	3305-804	1	● Clip, Routing	8	3303-384	1	Screw, Cap
4	3303-408	1	● Grommet	9	3304-640	1	Clamp, Routing
5	3303-077	1	Seal, Shroud				

