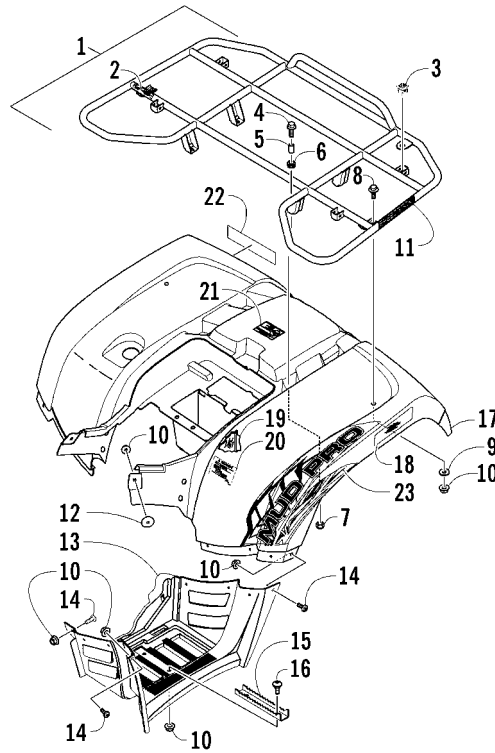


## FRONT RACK, BODY PANEL, AND HEADLIGHT ASSEMBLIES

0746-890

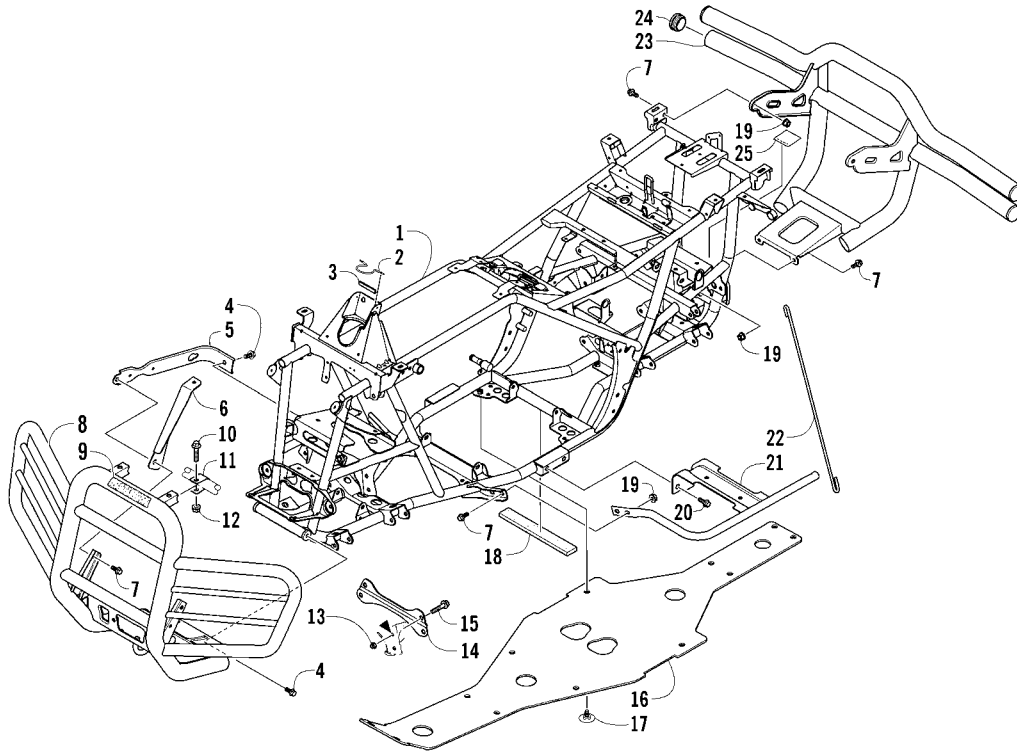
Ref	Part No.	New	Qty	Description	Ref	Part No.	New	Qty	Description
1	2506-643		1	Rack, Front - Assembly (inc. 2-3)	28	1411-250		1	● Decal, Warning - Reverse/Pre-Ride
2	0411-576		1	● Decal, Warning - Load	29	3411-096	X	1	Decal, Side - Front Right (1PUSA/1POSA)
3	0441-592		4	● Bushing, Rack		3411-097	X	1	Decal, Side - Front Left (1PUSA/1POSA)
4	8410-830		4	Screw, Cap		3411-098	X	1	Decal, Side - Front Right (1PUST/1POST)
5	0423-669		4	Spacer		3411-099	X	1	Decal, Side - Front Left (1PUST/1POST)
6	0423-465		4	Grommet	30	3411-264	X	1	Decal, "EFI"
7	8432-802		4	Nut, Lock	31	3411-102	X	1	Decal, Side - Upper Right (1PUSA/1POSA)
8	0423-654		2	Screw, Shoulder		3411-103	X	1	Decal, Side - Upper Left (1PUSA/1POSA)
9	8050-222		2	Washer		3411-104	X	1	Decal, Side - Upper Right (1PUST/1POST)
10	8427-602		2	Nut, Lock		3411-105	X	1	Decal, Side - Upper Left (1PUST/1POST)
11	0509-044		1	Headlight Assembly - Right (inc. 12)	32	4506-301		1	Cover, Intake - Front - Black
	0509-035		1	Headlight Assembly - Left (inc. 12)	33	3411-090	X	1	Decal, Intake - Front (1PUSA/1POSA)
12	0409-055		4	● Bulb, Headlight		3411-092	X	1	Decal, Intake - Front (1PUST/1POST)
13	0423-514		2	Stud, Adjuster - Headlight	34	4506-306		1	Cover, Intake - Rear - Black
14	0423-522		2	Spring, Adjuster	35	8468-645		2	Screw, Machine
15	0423-513		2	Knob, Adjuster	36	8468-616		4	Screw, Machine
16	0623-785		4	Screw, Self-Tapping	37	0623-362		6	Rivet, Reinstallable
17	8050-217		8	Washer	38	2416-100		1	Shield, Splash
18	0423-447		4	Grommet	39	0423-535		2	Rivet, Reinstallable
19	2406-300		1	Panel, Side - Lower - Right	40	2516-170		1	Cover, Access
	2406-419		1	Panel, Side - Lower - Left	41	0423-577		4	Clip, U-Nut
20	0423-678		8	Grommet	42	1406-484		1	Cover, Steering Post
21	0423-101		2	Screw, Shoulder	43	0470-513		1	Cover, Storage Box
22	2516-132		1	Panel, Fender - Assembly - Metallic Green (inc. 23-28) (1PUSA/1POSA)	44	1406-573		1	Box, Storage
	5506-016	X	1	Panel, Fender - Assembly - Metallic Cat Green (inc. 23-28) (1PUST/1POST)	45	2506-234		1	Lid, Storage Box w/Latch (inc. 46-47)
23	0411-818		1	● Decal, Reflector - Right - Amber	46	1406-599		1	● Latch, Storage Box
	0411-819		1	● Decal, Reflector - Left - Amber	47	0470-514		1	● Lid, Storage Box
24	1411-574		1	● Decal, Warning - Off-Road Only					
25	1411-804		1	● Decal, Warning - Age					
26	1411-932		1	● Decal, Warning - General					
27	0411-835		1	● Decal, Warning - Turn/Hill					



## REAR RACK, BODY PANEL, AND FOOTWELL ASSEMBLIES

0746-900

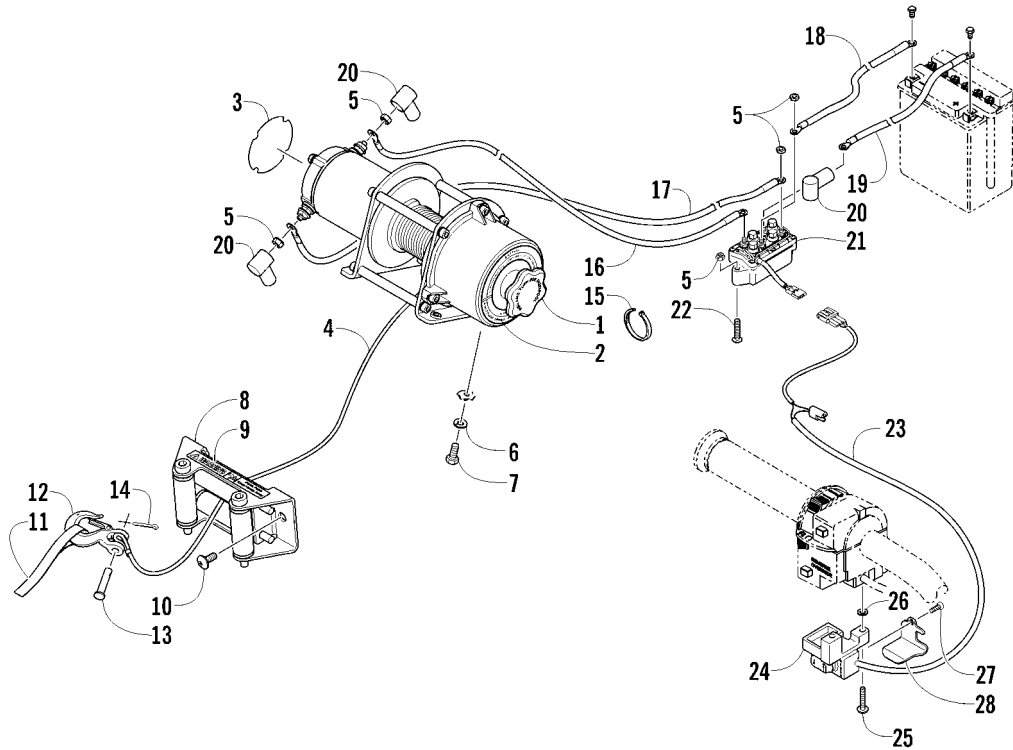
Ref	Part No.	New	Qty	Description	Ref	Part No.	New	Qty	Description
1	2506-125		1	Rack, Rear - Assembly (inc. 2-3)	16	0423-355		4	Screw, Shoulder
2	0411-648		1	● Decal, Warning - Load	17	2516-952		1	Panel, Fender - Assembly - Black (inc. 18-21)
3	0441-592		4	● Bushing, Rack	18	1411-592		1	● Decal, Reflector - Right - Red
4	8410-830		4	Screw, Cap		1411-593		1	● Decal, Reflector - Left - Red
5	0423-669		4	Spacer	19	0470-658		1	● Foil, Protective
6	0423-465		4	Grommet	20	2411-143		1	● Decal, Warning - Tire Pressure
7	8432-802		4	Nut, Lock	21	1411-809		1	● Decal, Passenger
8	0423-654		2	Screw, Shoulder	22	1411-725		1	Decal, "Arctic Cat"
9	8050-222		2	Washer	23	3411-108	X	1	Decal, "Mud Pro" - Right (1PUSA/1POSA)
10	8427-602		26	Nut, Lock		3411-109	X	1	Decal, "Mud Pro" - Left (1PUSA/1POSA)
11	0411-965		2	Decal, "Speedrack"		3411-110	X	1	Decal, "Mud Pro" - Right (1PUST/1POST)
12	0423-101		2	Screw, Shoulder		3411-111	X	1	Decal, "Mud Pro" - Left (1PUST/1POST)
13	1406-356		1	Footwell - Right					
	2406-429		1	Footwell - Left					
14	0423-419		18	Screw, Machine					
15	1506-125		2	Footpeg					



## FRAME AND RELATED PARTS

0746-901

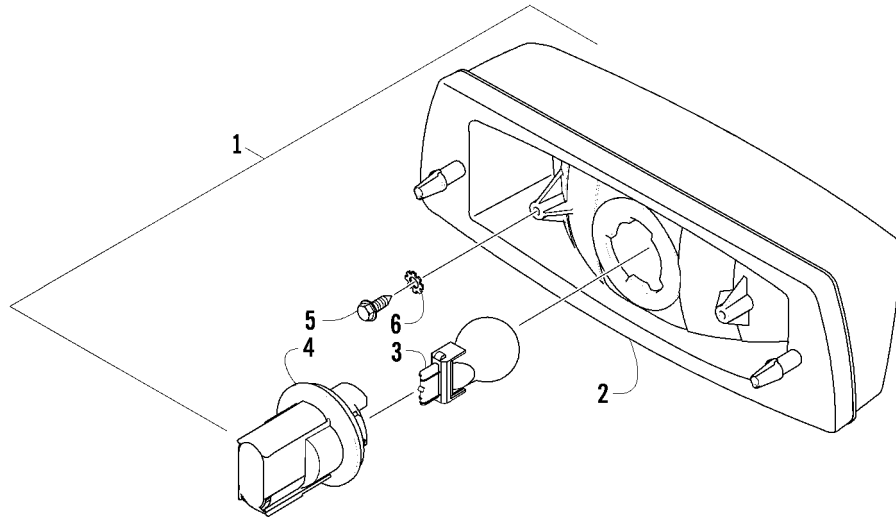
Ref	Part No.	New Qty	Description	Ref	Part No.	New Qty	Description
1	4506-543	1	Frame, Main	14	2516-852	1	Brace, A-Arm
2	2416-401	1	Clip, Routing	15	8409-025	2	Screw, Cap
3	0706-371	AR	Trim - 3 ft	16	1406-030	1	Panel, Belly
4	8409-020	4	Screw, Cap	17	0423-101	12	Screw, Shoulder
5	1506-596	2	Channel, Bumper Mounting	18	0406-289	2	Pad, Frame
6	1506-562	1	Bracket, Mounting - Bumper - Right	19	8424-802	8	Nut
	1506-563	1	Bracket, Mounting - Bumper - Left	20	8409-016	4	Screw, Cap
7	8408-816	10	Screw, Cap	21	1506-380	1	Footrest - Right
8	2506-639	1	Bumper, Front		1506-379	1	Footrest - Left
9	0411-501	1	Decal, Bumper - "Arctic Cat"	22	2506-423	2	Rod, Support
10	8410-835	2	Screw, Cap	23	1506-615	1	Bumper, Rear (inc. 24)
11	2506-641	2	Strap, Support	24	0406-130	4	● Plug
12	8424-805	2	Nut	25	1411-077	1	Decal, Warning - Towing
13	0423-744	2	Nut, Lock				



## WINCH ASSEMBLY

0745-895

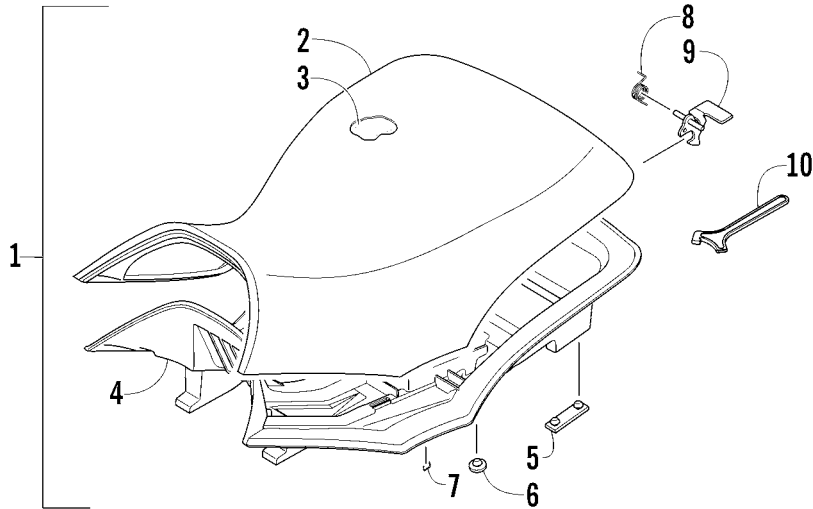
Ref	Part No.	New	Qty	Description	Ref	Part No.	New	Qty	Description
1	2441-250		1	Winch (inc. 2-4 and two No. 5)	15	0123-903		AR	Tie, Cable - 11.5 in.
2	2411-141		1	● Decal, Warning - Tension	16	0445-068		1	Cable, Winch/Solenoid - Yellow
3	2411-140		1	● Decal, Warning - Operation	17	0445-069		1	Cable, Winch/Solenoid - Blue
4	1441-831		1	● Cable, Winch	18	1441-112		1	Cable, Solenoid/Battery - Black
5	0623-038		8	● Nut w/Washer	19	0445-087		1	Cable, Solenoid/Battery - Red
6	8051-246		4	Washer, Lock	20	0645-019		3	Boot, Terminal
7	8408-820		4	Screw, Cap	21	0409-066		1	Solenoid
8	0441-403		1	Roller, Winch (inc. 9)	22	8476-625		2	Screw, Machine
9	0411-474		1	● Decal, Warning - Pinch Point	23	0409-087		1	Switch, Control
10	8468-820		2	Screw, Machine	24	0409-034		1	Retainer, Control Switch
11	1441-781		1	Strap	25	8464-560		2	Screw, Machine
12	1441-833		1	Hook, Winch	26	0423-593		1	Washer
13	1441-834		1	Pin	27	0423-382		1	Screw, Self-Tapping
14	0623-175		1	Pin, Cotter	28	5506-053	X	1	Cover, Switch



## TAILLIGHT ASSEMBLY

0739-667

Ref	Part No.	New Qty	Description	Ref	Part No.	New Qty	Description
1	0509-022	1	Taillight Assembly (inc. 2-4)	4	0409-057	1	● Socket
2	0509-025	1	● Housing	5	0623-301	2	Screw, Self-Tapping
3	0409-056	1	● Bulb	6	8053-212	2	Washer, External Tooth Lock

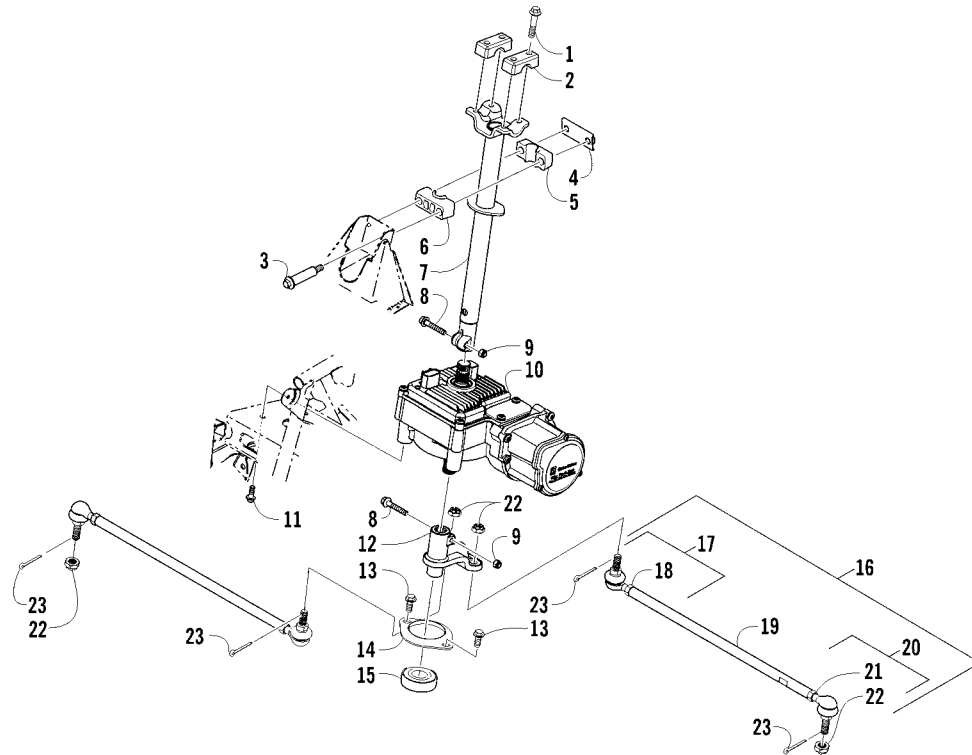


## SEAT ASSEMBLY

0744-435

Ref	Part No.	New Qty	Description	Ref	Part No.	New Qty	Description
1	4506-557	1	Seat Assembly (inc. 2-9)	6	0406-877	4	●● Bumper, Seat - Front
2	1506-209	1	● Cover, Seat	7	0624-263	AR	● Staple
3	0517-119	1	● Foam, Seat	8	1406-592	1	● Spring, Seat Latch
4	2416-826	1	● Base, Seat - Assembly (inc. 5-6)	9	1506-156	1	● Latch, Seat
5	0406-879	2	●● Bumper, Seat - Rear	10	0441-587	1	Wrench, Spanner

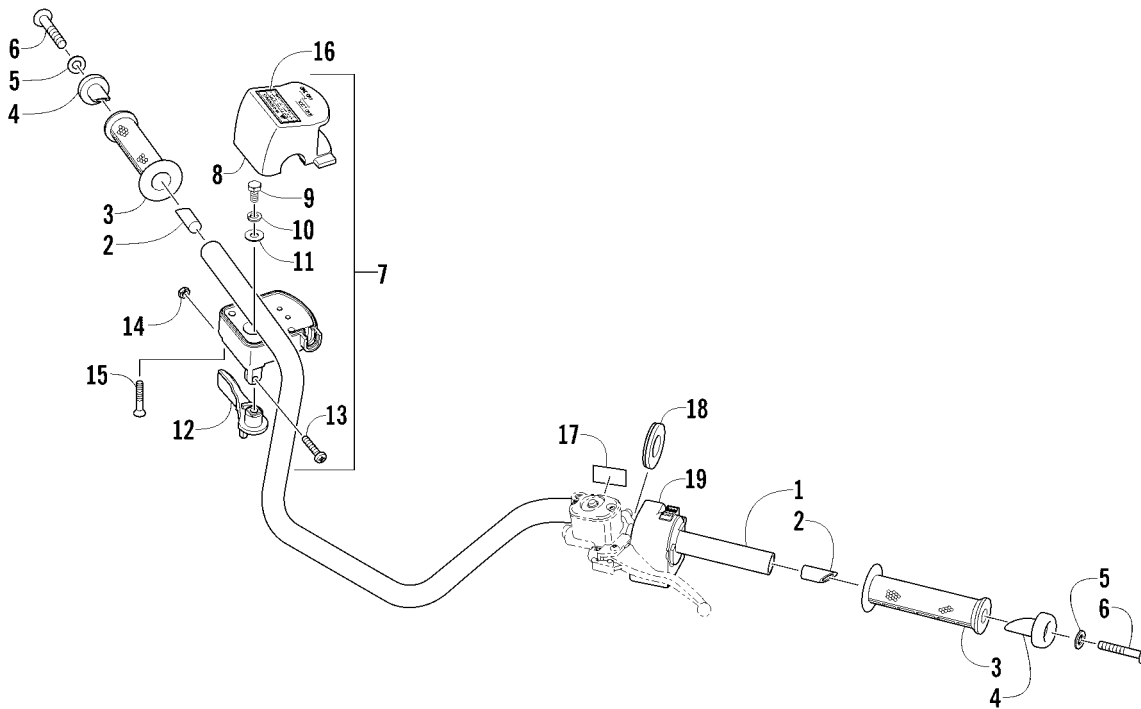




## STEERING ASSEMBLY

0745-117

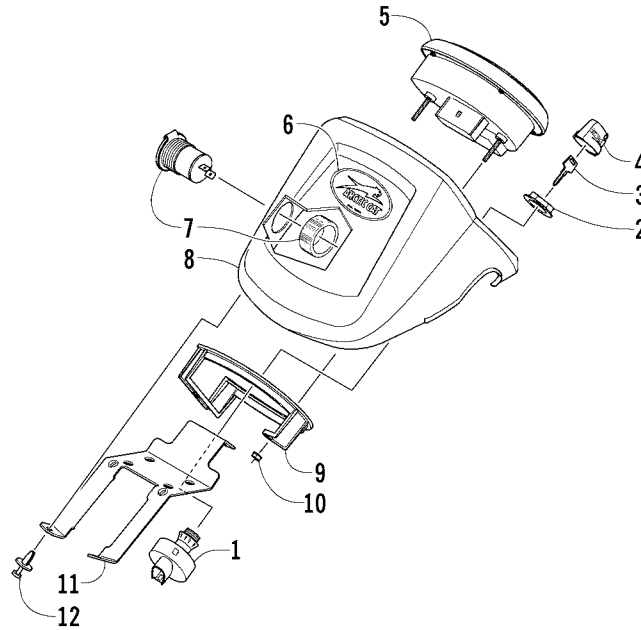
Ref	Part No.	New Qty	Description	Ref	Part No.	New Qty	Description
1	8408-835	4	Screw, Cap	14	0602-233	1	Flange, Bearing
2	0405-035	2	Cap, Steering Adjuster	15	0405-052	1	Bearing w/Inverted Oil Seal
3	0423-505	2	Screw, Shoulder	16	0505-499	2	Tie Rod - Assembly (inc. 17-21)
4	0505-484	1	Cap, Housing	17	0505-511	2	● End, Tie Rod - Left-Hand Thread - Kit (inc. 18)
5	0405-260	1	Housing, Upper	18	0423-013	2	●● Nut - Left-Hand Thread
6	0405-259	1	Housing, Lower	19	0405-281	2	● Tie Rod
7	0505-642	1	Post, Steering	20	0505-510	2	● End, Tie Rod - Right-Hand Thread - Kit (inc. 21)
8	8020-045	2	Screw, Cap	21	8420-002	2	●● Nut - Right-Hand Thread
9	8040-366	2	Nut, Lock	22	0423-157	4	Nut, Lock
10	0505-807	X 1	Assembly, Electronic Power Steering	23	0623-175	4	Pin, Cotter
11	8409-020	4	Screw, Cap				
12	0505-664	1	Arm, Steering				
13	8408-816	2	Screw, Cap				



## HANDLEBAR ASSEMBLY

0745-894

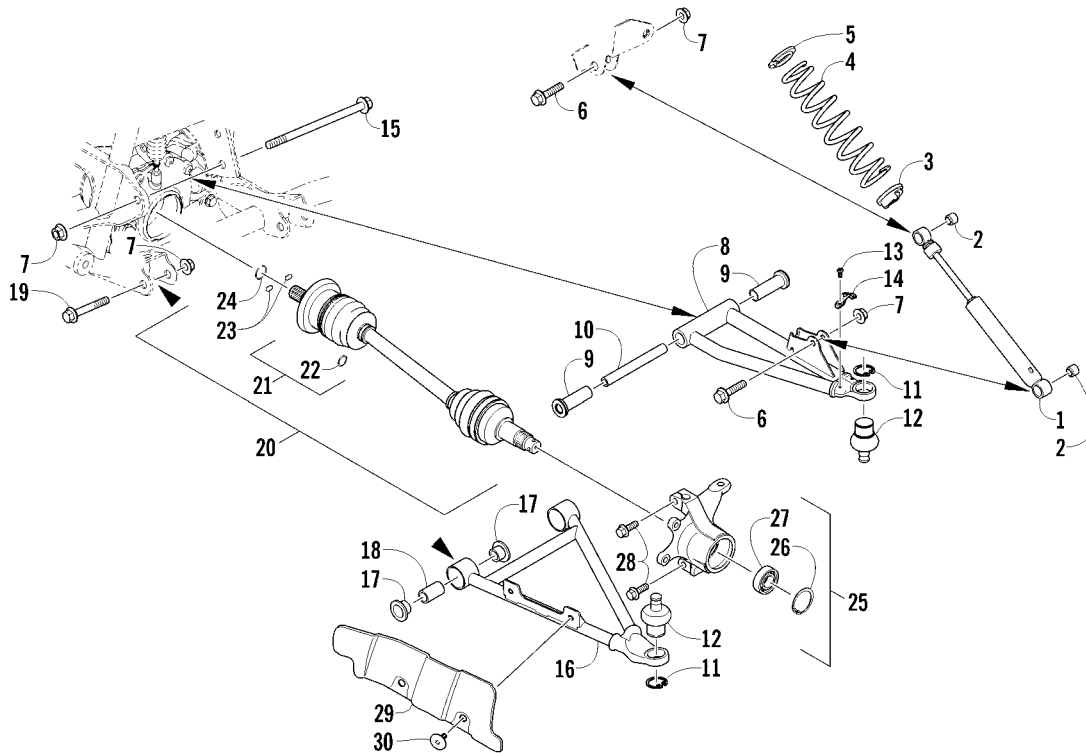
Ref	Part No.	New Qty	Description	Ref	Part No.	New Qty	Description
1	0505-537	1	Handlebar	11	3003-030	1	● Washer
2	0405-218	2	Plug, Handlebar	12	0409-133	1	● Lever, Throttle
3	0405-147	2	Grip, Handlebar	13	3423-014	1	● Screw, Machine
4	0405-149	2	End Cap, Handlebar	14	3423-327	1	● Nut
5	8050-247	2	Washer	15	3423-199	2	● Screw, Machine
6	8477-845	2	Screw, Machine	16	0411-966	1	Decal, Warning - Differential Lock
7	0509-054	1	Case, Throttle - Assembly (inc. 8-15)	17	1411-865	1	Decal, Warning - Brake Lever Lock
8	0409-141	1	● Cover, Throttle Case w/Switch	18	3409-019	1	Cover, Switch Housing
9	3007-392	1	● Screw, Cap	19	0509-014	1	Switch, Control - Assembly
10	3004-447	1	● Washer, Lock				



## INSTRUMENT POD ASSEMBLY

0746-654

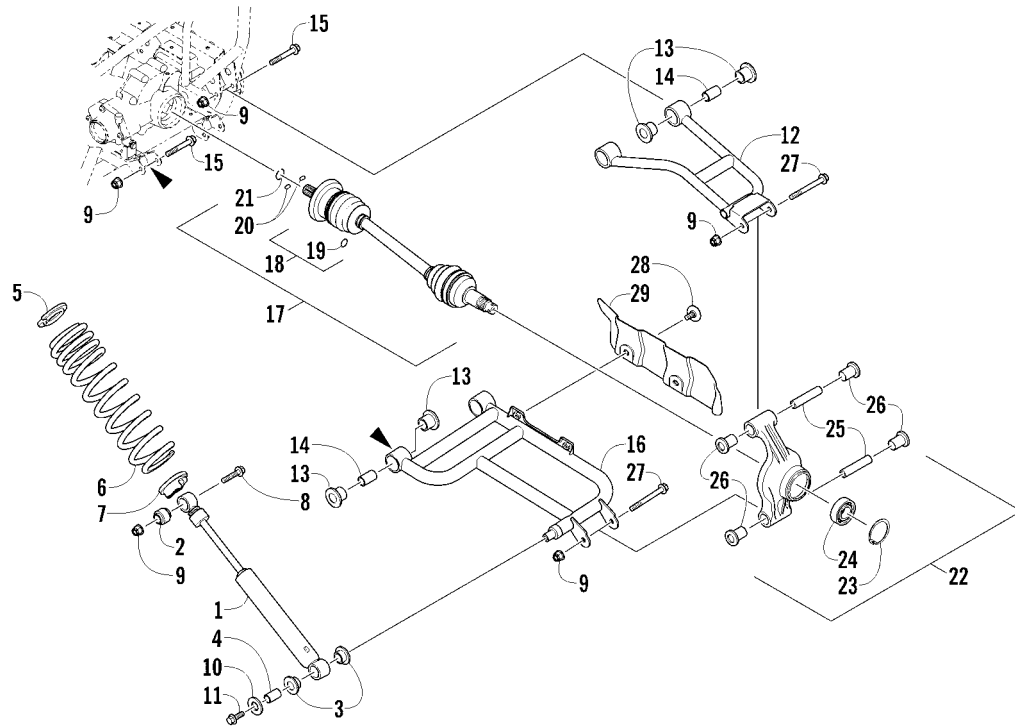
Ref	Part No.	New	Qty	Description	Ref	Part No.	New	Qty	Description
1	0430-090		1	Switch, Ignition - Assembly (inc. 2-4)	6	9611-752	X	1	Decal, "Arctic Cat"
2	0430-050		1	● Nut, Retaining	7	0641-897		1	Outlet, Accessory - 12V
3	0430-042		1	● Key, Ignition (Y Series - Left-Side Cut)	8	0505-591		1	Instrument Pod - Black
	0430-043		1	● Key, Ignition (Z Series - Right-Side Cut)	9	0420-065		1	Bracket, Retaining
4	0430-054		1	● Cover, Key	10	0423-493		2	Nut w/Washer
5	0520-209	X	1	Gauge, LCD	11	2506-470		1	Bracket, Mounting - Instrument Pod
					12	0423-535		2	Rivet, Reinstallable



## FRONT SUSPENSION ASSEMBLY

0745-247

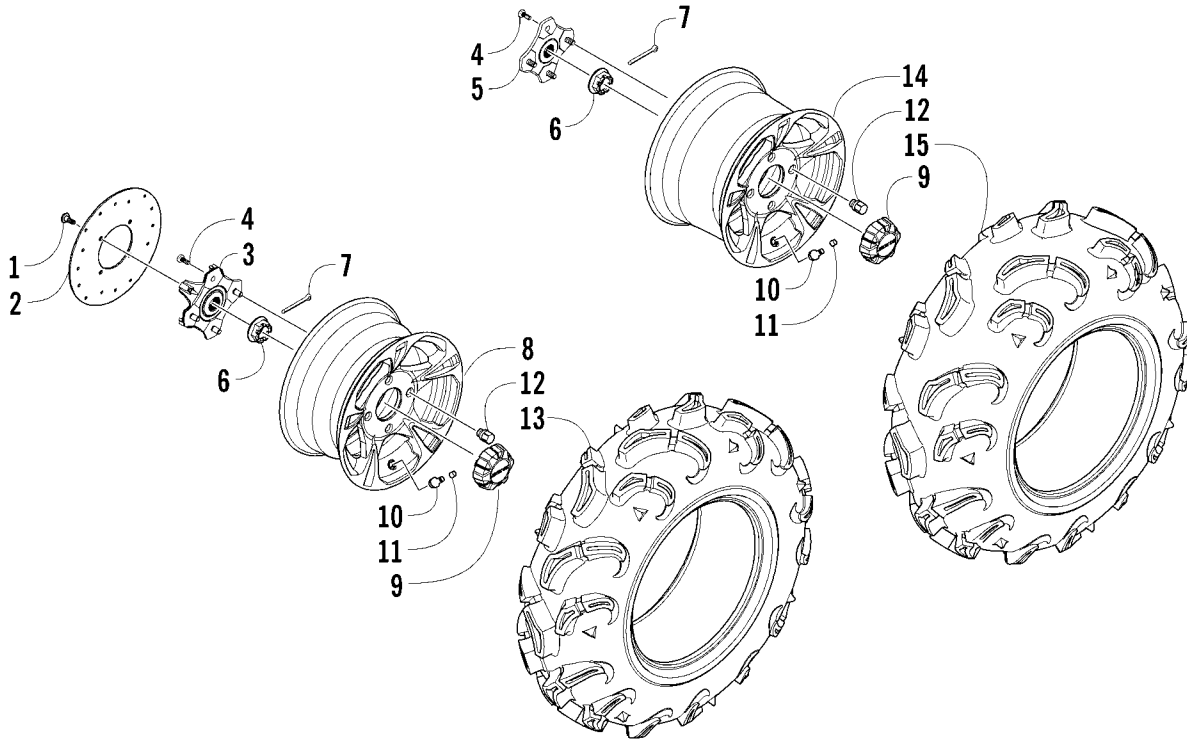
Ref	Part No.	New	Qty	Description	Ref	Part No.	New	Qty	Description
1	0403-180		2	Shock Absorber (inc. 2)	17	0403-208		8	● Bushing
2	0403-182		4	● Bushing	18	0403-214		4	● Axle
3	0403-288	X	2	Cam, Spring Adjuster	19	8409-075		4	Screw, Cap
4	0403-210		2	Spring, Suspension - White	20	1502-806		1	Axle, Drive - Right (inc. 21-24)
5	1603-889		2	Retainer, Spring	21	1502-805		1	Axle, Drive - Locking - Left (inc. 21-24)
6	8409-040		4	Screw, Cap	22	1436-410		2	● Repair Kit, Boot (inc. 22)
7	0423-744		10	Nut, Lock	23	1441-988		2	● Clip, Retaining
8	0503-416		1	A-Arm, Upper Right - Black (inc. 9-12)	24	1402-885		4	● Pin, Detent
	0503-417		1	A-Arm, Upper Left - Black (inc. 9-12)	25	1402-889		2	● Clip, Retaining
9	0403-207		4	● Bushing	26	0505-576		1	Knuckle - Assembly - Right (inc. 26-27)
10	0403-080		2	● Axle		0505-577		1	Knuckle - Assembly - Left (inc. 26-27)
11	0423-009		4	● Ring, Retaining	27	0423-423		2	● Ring, Retaining
12	0405-483		4	● Ball Joint	28	1402-809		2	● Bearing
13	0423-946		4	Screw, Self-Tapping	29	0423-998		4	Screw, Shoulder
14	1502-594		2	Clamp, Routing	30	1406-034		1	Guard, Boot - Right - Black
15	0423-334		2	Screw, Cap		1406-035		1	Guard, Boot - Left - Black
16	0503-376		1	A-Arm, Lower Right - Black (inc. 17-18 and two No. 11-12)		0423-545		4	Screw, Shoulder
	0503-377		1	A-Arm, Lower Left - Black (inc. 17-18 and two No. 11-12)					



## REAR SUSPENSION ASSEMBLY

0745-252

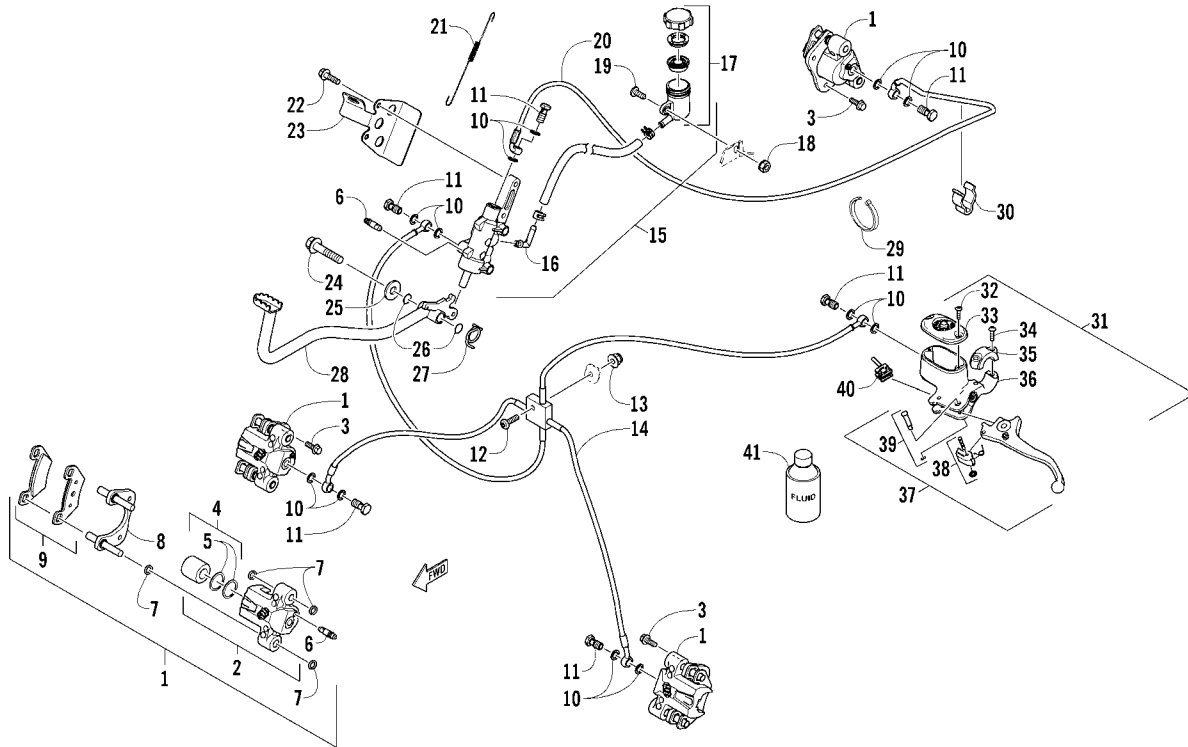
Ref	Part No.	New Qty	Description	Ref	Part No.	New Qty	Description
1	0404-150	2	Shock Absorber (inc. 2-4)	16	0504-572	1	A-Arm, Rear - Lower Right - Black (inc. 13-14)
2	0403-182	2	● Bushing		0504-573	1	A-Arm, Rear - Lower Left - Black (inc. 13-14)
3	0603-955	4	● Bushing	17	1502-804	2	Axle, Drive (inc. 18-21)
4	1603-219	2	● Sleeve	18	1436-410	2	● Repair Kit, Boot (inc. 19)
5	1603-889	2	Retainer, Spring	19	1441-988	2	●● Clip, Retaining
6	0404-171	2	Spring, Suspension - White	20	1402-884	4	● Pin, Detent
7	0404-057	2	Cam, Spring Adjuster	21	1402-890	2	● Clip, Retaining
8	8409-040	1	Screw, Cap - Right	22	0504-548	1	Knuckle, Right - Assembly (inc. 23-26)
	8409-050	1	Screw, Cap - Left		0504-549	1	Knuckle, Left - Assembly (inc. 23-26)
9	0423-744	14	Nut, Lock	23	0423-423	2	● Ring, Retaining
10	0423-087	2	Washer	24	1402-809	2	● Bearing
11	8408-820	2	Screw, Cap	25	0403-213	4	● Axle
12	0504-582	1	A-Arm, Rear - Upper Right - Black (inc. 13-14)	26	0403-206	8	● Bushing
	0504-583	1	A-Arm, Rear - Upper Left - Black (inc. 13-14)	27	8409-000	4	Screw, Cap
13	0403-208	16	● Bushing	28	0423-545	4	Screw, Shoulder
14	0403-214	8	● Axle	29	1406-068	1	Guard, Boot - Rear - Right - Black
15	8409-075	8	Screw, Cap		1406-069	1	Guard, Boot - Rear - Left - Black



## WHEEL AND TIRE ASSEMBLY

0746-903

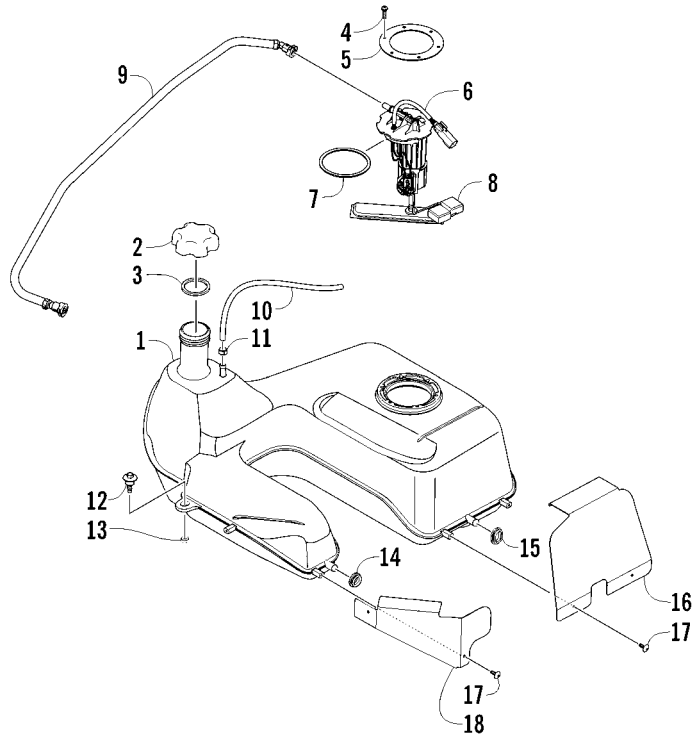
Ref	Part No.	New	Qty	Description	Ref	Part No.	New	Qty	Description
1	0423-557		12	Screw, Shoulder	8	2402-070	X	2	Wheel - Front - Aluminum (inc. 9)
2	1436-418		3	Disc, Brake	9	2402-084	X	4	● Cap, Wheel
3	1502-462		2	Hub, Wheel - Front (inc. 4)	10	0402-064		4	Stem, Valve (inc. 11)
4	0402-974		16	● Stud	11	0402-140		4	● Cap, Valve Stem
5	1502-462		1	Hub, Wheel - Rear - Right (inc. 4)	12	0423-618		16	Nut, Lug - Chrome
	1502-464		1	Hub, Wheel - Rear - Left (inc. 4)	13	1402-855		2	Tire - Front
6	0423-607		4	Nut, Castle	14	2402-071	X	2	Wheel - Rear - Aluminum (inc. 9)
7	0423-407		4	Pin, Cotter	15	1402-901		2	Tire - Rear



## HYDRAULIC BRAKE ASSEMBLY

0747-109

Ref	Part No.	New Qty	Description	Ref	Part No.	New Qty	Description
1	1502-730	1	Caliper, Brake - Right Front (inc. 2-9)	18	0623-038	1	Nut w/Washer
	1502-731	1	Caliper, Brake - Left Front (inc. 2-9)	19	8476-616	1	Screw, Machine
	1502-731	1	Caliper, Brake - Rear (inc. 2-9)	20	1502-593	1	Hose, Brakeline
2	1436-160	1	● Housing, Caliper - Assembly - Right Front (inc. 3-6)	21	0502-785	1	Spring, Brake Switch
	1436-161	1	● Housing, Caliper - Assembly - Left Front (inc. 3-6)	22	8408-625	2	Screw, Cap
	1436-161	1	● Housing, Caliper - Assembly - Rear (inc. 3-6)	23	1502-179	1	Bracket, Switch
3	8408-821	6	●● Screw, Cap	24	8408-816	1	Screw, Cap
4	0502-606	3	●●● Piston/Seal Set (inc. 5)	25	8050-252	1	Washer
5	0502-607	3	●●● Seal Set	26	1602-213	2	O-Ring
6	0502-609	4	●● Valve, Bleed	27	0502-807	1	Spring, Brake Lever
7	0502-608	3	● O-Ring, Guide - Set	28	1502-063	1	Lever, Brake
8	0502-960	3	● Bracket Assembly	29	0123-788	AR	Tie, Cable - 8 in.
9	1502-694	3	● Pad, Brake - Set	30	1502-115	2	Clip, Brakeline Hose
10	0423-178	12	Washer, Crush	31	1502-902	1	Brake Assembly (inc. 32-40)
11	0423-413	6	Bolt, Banjo-Fitting	32	0502-566	1	● Screw, Machine - Kit
12	8476-625	1	Screw, Machine	33	0502-868	1	● Cover, Reservoir
13	8427-602	1	Nut, Lock	34	0502-568	1	● Screw, Machine - Kit
14	1502-015	1	Hose, Brakeline - Assembly	35	0502-869	1	● Clamp, Master Cylinder
15	1502-293	1	Brake Assembly (inc. 16-17)	36	0502-704	1	● Master Cylinder Assembly
16	1502-296	1	● Adapter, Hose	37	1502-904	1	● Lever Assembly - Kit (inc. 38-39)
17	1502-155	1	● Reservoir, Brake w/Clamp	38	1502-905	1	●● Lock, Brake Lever - Kit
				39	0502-580	1	●● Lever Pin - Kit
				40	0502-564	1	● Switch, Brake
				41	5639-848	X AR	Fluid, Brake - 12 oz

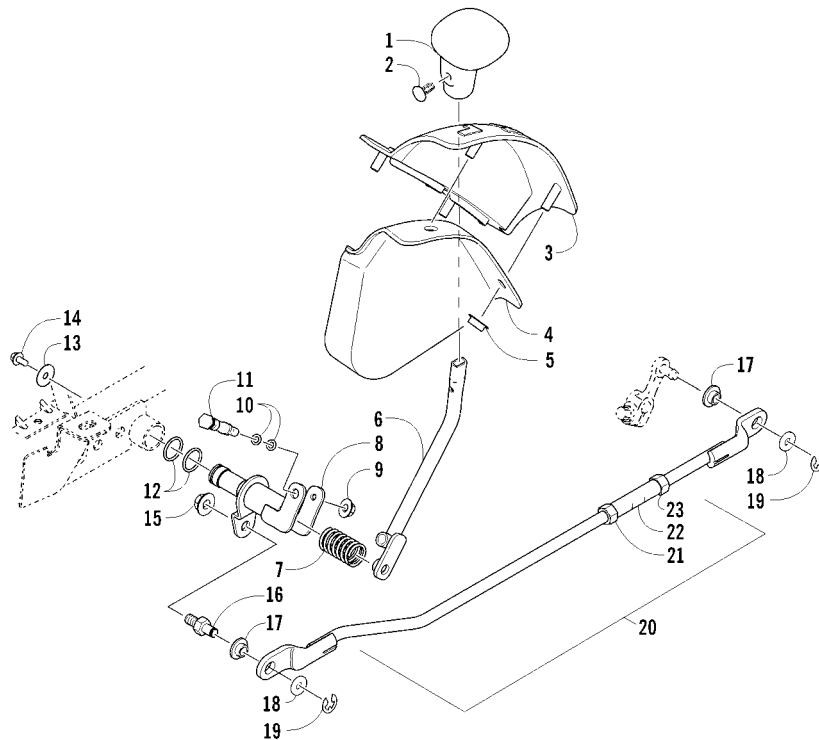


## GAS TANK ASSEMBLY

0745-555

Ref	Part No.	New Qty	Description	Ref	Part No.	New Qty	Description
1	0570-307	1	Tank, Gas - Assembly (inc. 2-5)	10	0410-070	AR	Hose, Gasline - 25 ft
2	0470-438	1	● Cap, Gas Tank (inc. 3)	11	0423-688	1	Clamp, Hose
3	0109-733	1	●● Gasket, Gas Tank Cap	12	0423-732	2	Screw, Shoulder
4	0423-898	6	● Screw, Self-Tapping	13	0623-038	1	Nut w/Washer
5	2670-042	1	● Plate, Retaining	14	0423-460	1	Grommet
6	0570-322	1	Pump, Fuel - Assembly (inc. 7-8)	15	0423-806	1	Grommet
7	0470-838	1	● Seal	16	0470-710	1	Shield, Heat - Gas Tank - Rear
8	2670-235	1	● Float	17	0623-797	4	Screw, Self-Tapping
9	0570-317	1	Hose, Gasline - Assembly	18	0470-709	1	Shield, Heat - Gas Tank - Front

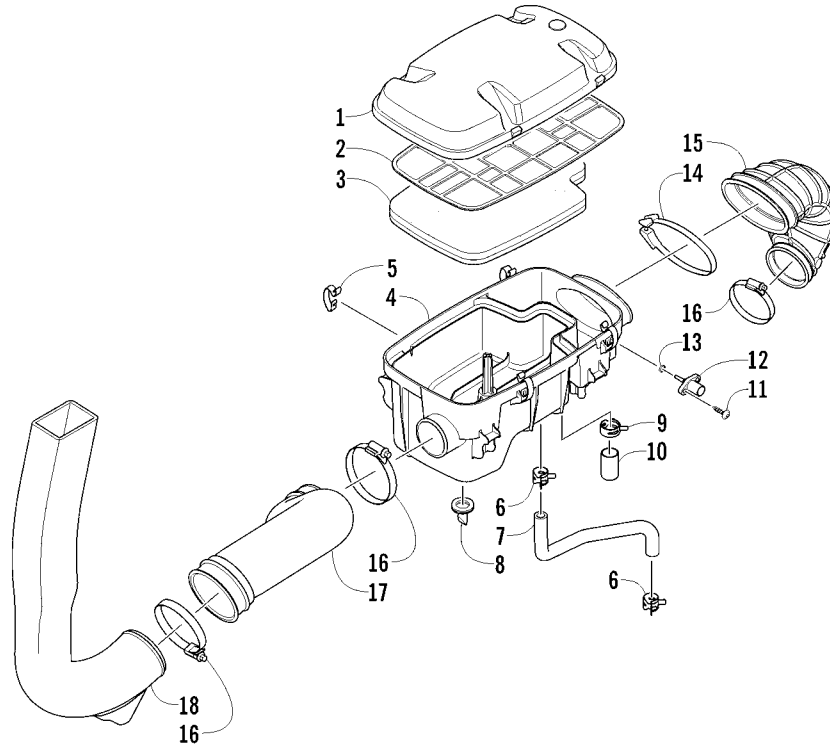




## SHIFT LEVER ASSEMBLY

0745-123

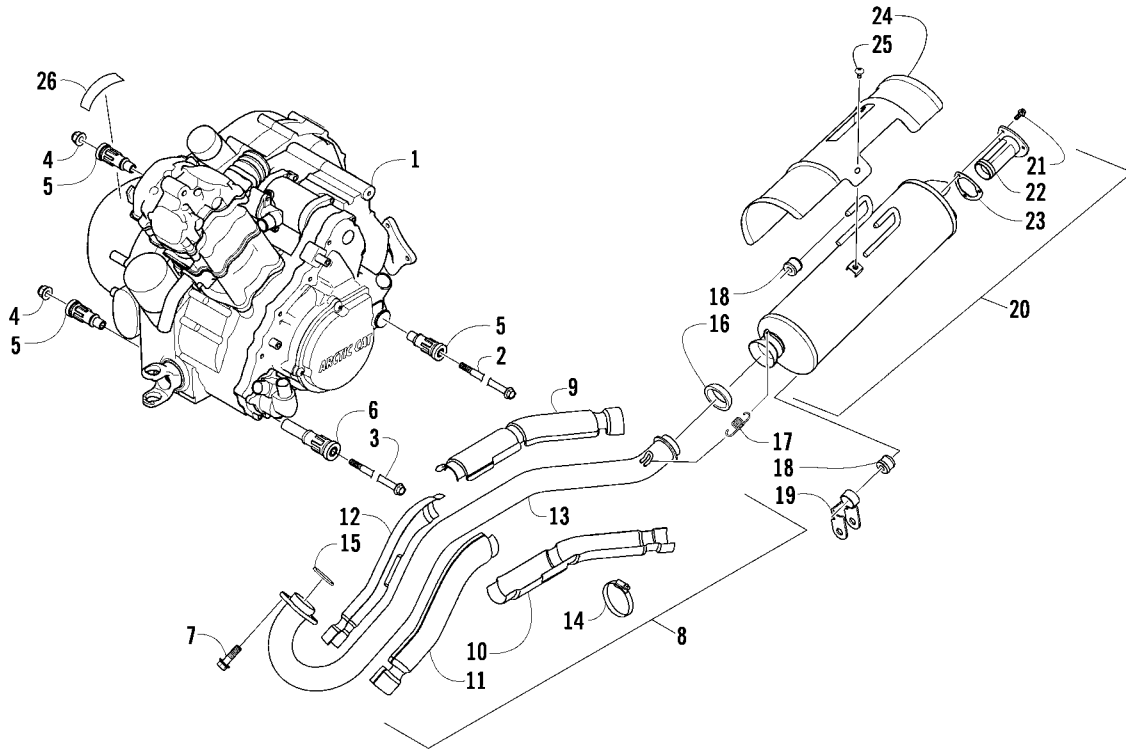
Ref	Part No.	New	Qty	Description	Ref	Part No.	New	Qty	Description
1	0402-843		1	Knob, Shift	13	0423-087		1	Washer
2	0423-345		1	Clip, Retaining	14	8408-812		1	Screw, Cap
3	2402-073	X	1	Plate, Shift	15	8424-802		1	Nut
4	2406-345		1	Shield, Shift Plate	16	1402-621		1	Pin, Mounting
5	0423-357		4	Nut, Stamped	17	0423-091		2	Bushing
6	1502-977	X	1	Lever, Shift	18	0623-094		2	Washer
7	2402-117	X	1	Spring	19	0423-169		2	E-Ring
8	1502-957	X	1	Actuator, Shift	20	1502-200		1	Linkage, Shift - Assembly (inc. 21-23)
9	8424-602		1	Nut	21	0123-917		1	● Nut, Hex - Left-Hand Thread
10	0423-182		2	O-Ring	22	1402-619		1	● Coupler
11	0402-675		1	Axle, Pivot	23	0623-294		1	● Nut, Hex - Right-Hand Thread
12	0423-299		2	O-Ring					



## AIR INTAKE ASSEMBLY

0744-784

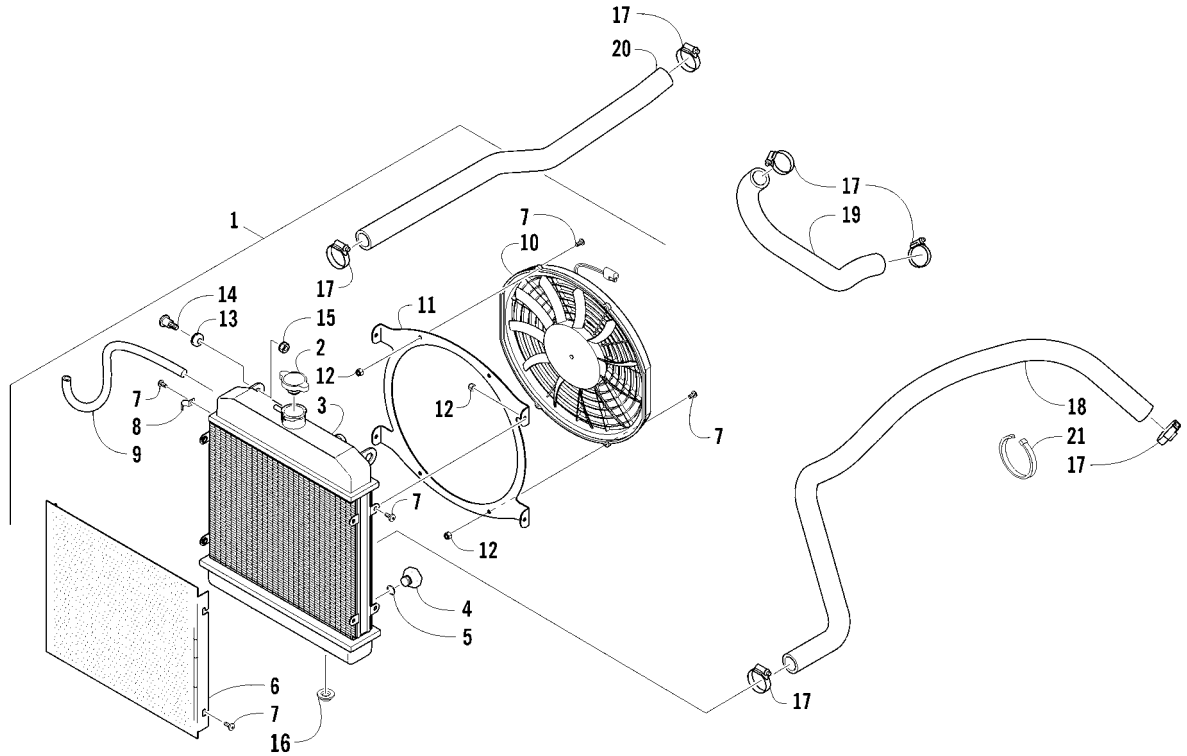
Ref	Part No.	New Qty	Description	Ref	Part No.	New Qty	Description
1	0470-877	1	Cover, Air Intake	10	0423-766	1	Cap, Drain
2	0470-560	1	Screen, Air Filter	11	0423-342	2	Screw, Self-Tapping
3	0470-558	1	Filter, Air	12	0430-055	1	Sensor, Air Temperature (inc. 13)
4	0470-728	1	Housing, Air Intake	13	5507-224	1	● O-Ring
5	0423-455	4	Clip, Spring	14	0423-554	1	Clamp
6	1623-281	2	Clamp, Hose	15	0470-511	1	Boot, Air Intake
7	0410-172	1	Hose, Vent	16	0423-019	3	Clamp
8	0470-858	1	Valve, Drain	17	0470-529	1	Duct, Air Intake
9	1623-287	1	Clamp	18	0413-210	1	Duct, Air Intake



## ENGINE AND EXHAUST

0743-292

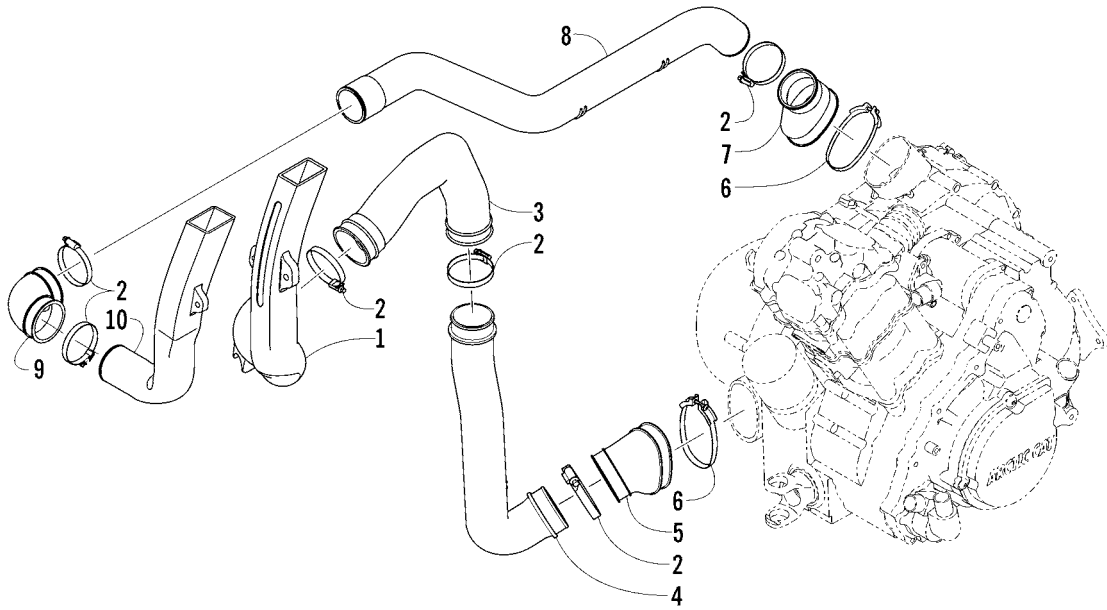
Ref	Part No.	New	Qty	Description	Ref	Part No.	New	Qty	Description
1	0800-133	X	1	Engine, A700Q	14	0423-317		4	● Clamp
2	0423-451		1	Screw, Cap	15	0412-338		1	Gasket, Exhaust
3	0423-405		1	Screw, Cap	16	0412-375		1	Seal, Exhaust
4	8428-002		2	Nut, Lock	17	0612-668		2	Spring, Extension
5	0801-129		3	Mount, Engine	18	0412-577		3	Bushing
6	0801-122		1	Mount, Engine	19	1506-732		1	Channel, Support
7	8408-820		2	Screw, Cap	20	0512-355		1	Muffler - Assembly (inc. 21-23)
8	0512-345		1	Pipe, Exhaust - Assembly (inc. 9-14)	21	8408-616		3	● Screw, Cap
9	0412-350		1	● Shield, Exhaust Pipe - Outer - Rear	22	0512-219		1	● Arrester, Spark - Assembly
10	0412-339		1	● Shield, Exhaust Pipe - Inner - Rear	23	0412-313		1	● Gasket
11	0412-349		1	● Shield, Exhaust Pipe - Inner - Front	24	0412-373		1	Cover, Muffler
12	0412-348		1	● Shield, Exhaust Pipe - Outer - Front	25	8477-610		3	Screw, Machine
13	0512-344		1	● Pipe, Exhaust	26	0411-426		1	Decal, Warning - Clutch Cover



## COOLING ASSEMBLY

0745-991

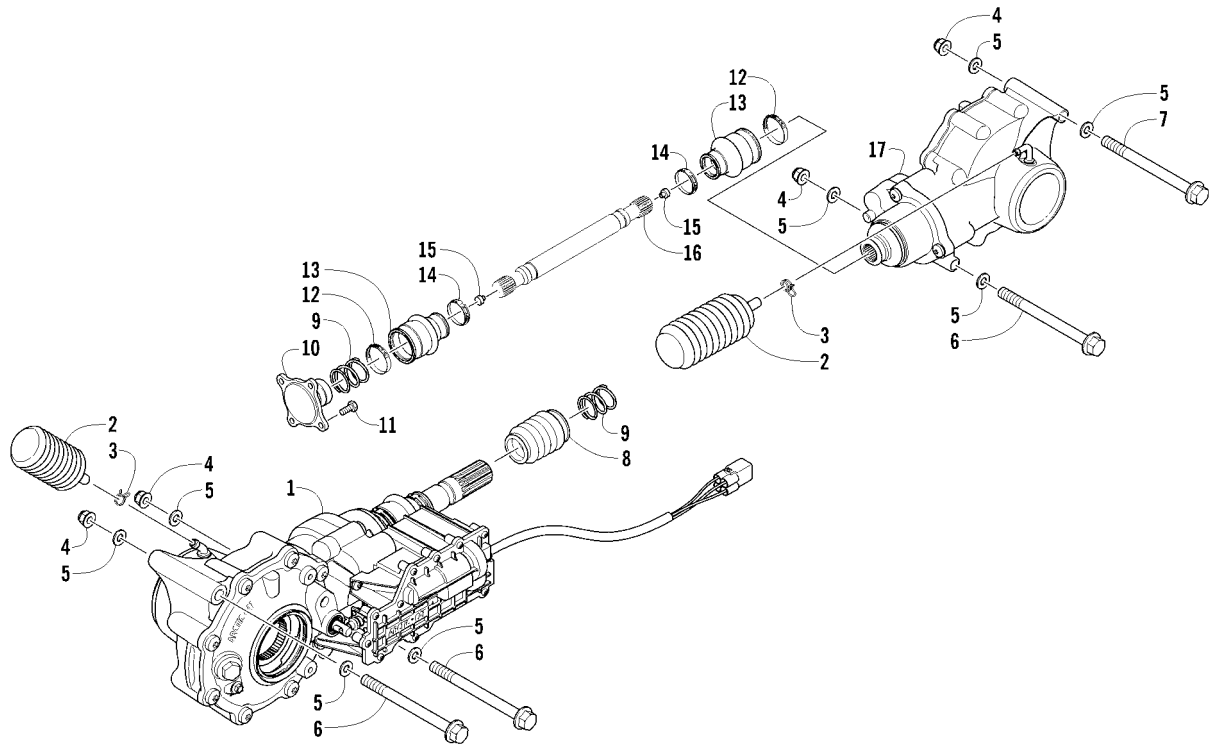
Ref	Part No.	New Qty	Description	Ref	Part No.	New Qty	Description
1	0413-259	1	Radiator Assembly (inc. 2-13)	11	0413-240	1	● Bracket, Retaining
2	0413-255	1	● Cap, Radiator	12	8422-502	8	● Nut, Lock
3	0413-205	1	● Radiator	13	0423-030	2	● Grommet
4	0413-195	1	● Plug, Drain	14	0423-484	2	Screw, Shoulder
5	1602-213	1	● O-Ring	15	0623-038	2	Nut w/Washer
6	0413-007	1	● Screen, Radiator	16	0423-028	2	Bushing, Stem
7	8475-512	12	● Screw, Machine	17	0423-496	6	Clamp, Hose
8	0423-351	1	● Clamp, Wire	18	0410-229	1	Hose, Coolant - Lower
9	0610-016	AR	● Hose - 25 ft	19	0410-022	1	Hose, Coolant - Crossover
	0610-015	AR	● Hose - 100 ft	20	0410-002	1	Hose, Coolant - Upper
10	0413-123	1	● Fan, Cooling	21	0623-751	AR	Tie, Cable - 11.75 in.



## CASE/BELT COOLING ASSEMBLY

0744-547

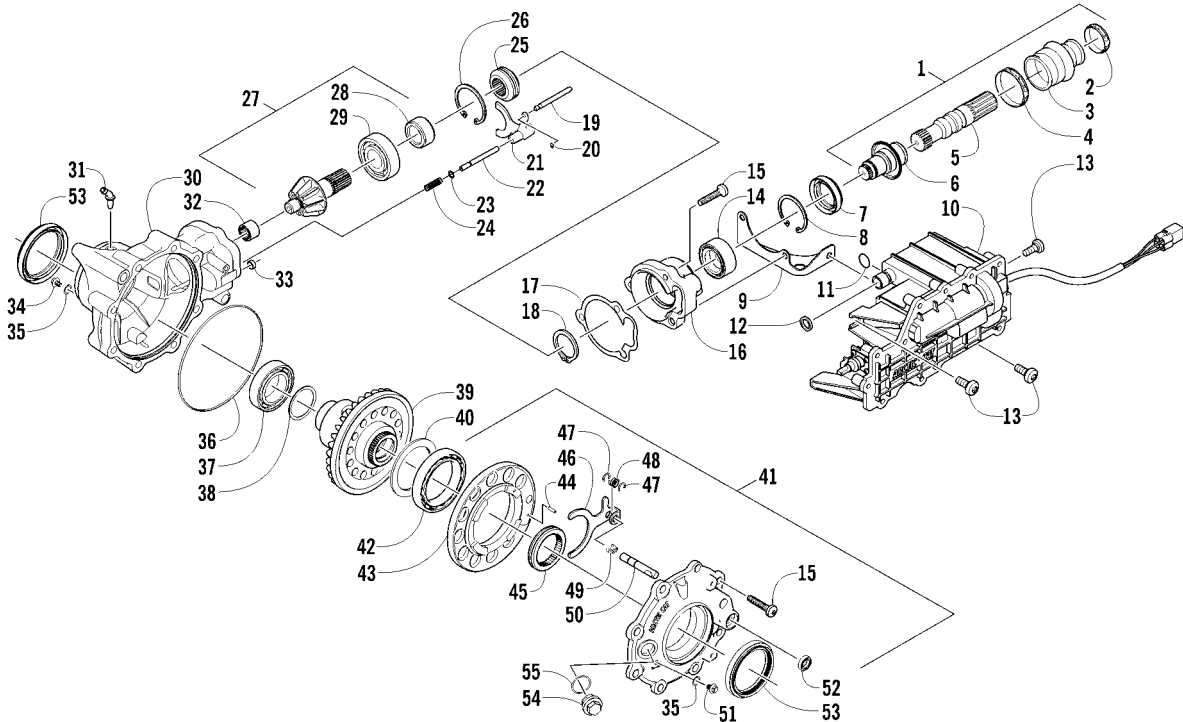
Ref	Part No.	New Qty	Description	Ref	Part No.	New Qty	Description
1	0413-228	1	Duct, Intake - Front	6	0423-057	2	Clamp
2	0423-019	6	Clamp	7	0413-049	1	Boot, Air Out
3	0413-092	1	Boot, Intake	8	0413-213	1	Duct, Air Out - Rear
4	0413-250	1	Duct, Intake - Lower	9	0413-098	1	Boot, Air Out
5	0413-252	1	Boot, Intake	10	0413-215	1	Duct, Air Out - Front



## DRIVE TRAIN ASSEMBLY

0746-148

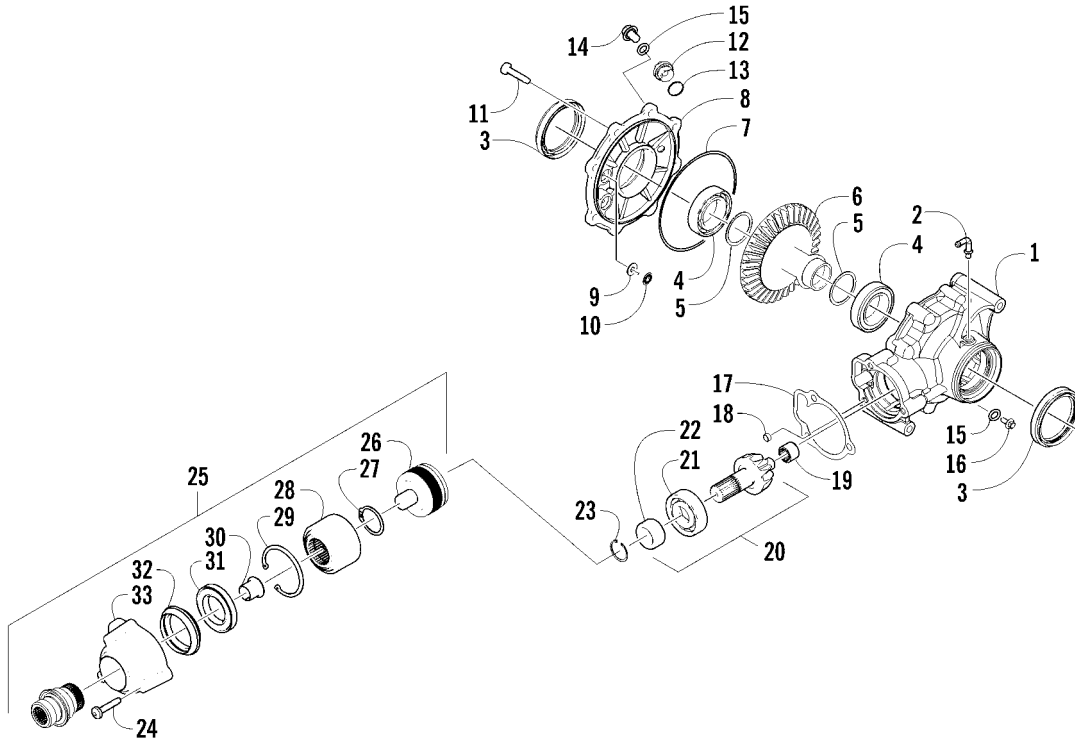
Ref	Part No.	New Qty	Description	Ref	Part No.	New Qty	Description
1	1502-877	1	Gearcase, Front	10	0402-950	1	Flange, Output
2	1402-620	2	Bladder, Gearcase	11	8408-820	4	Screw, Cap
3	0423-315	2	Clamp, Hose	12	0423-393	2	Clamp
4	8428-002	4	Nut, Lock	13	0402-985	2	Boot
5	0423-426	8	Washer	14	0423-411	2	Clamp
6	0423-404	3	Screw, Cap	15	0673-618	2	Bumper, Propeller Shaft
7	0423-830	1	Screw, Cap	16	1402-233	1	Shaft, Propeller
8	0402-966	1	Boot, Shaft	17	1502-880	1	Gearcase, Rear
9	1402-026	2	Spring				



## FRONT DRIVE GEARCASE ASSEMBLY

0745-863

Ref	Part No.	New	Qty	Description	Ref	Part No.	New	Qty	Description
-	1502-877		1	Complete Front Drive Gearcase Assembly	32	0402-328		1	Bearing
1	1502-083		1	Shaft, Propeller - Assembly (inc. 2-6)	33	0402-411		1	Pin, Dowel
2	0423-411		1	● Clamp	34	1402-210		1	Plug, Magnetic (inc. one No. 35)
3	0402-985		1	● Boot, Propeller Shaft	35	0423-153		2	● O-Ring
4	0423-393		1	● Clamp	36	0423-149		1	O-Ring
5	1402-045		1	● Shaft, Output	37	0402-393		1	Bearing
6	1502-085		1	● Shaft, Input	38	0402-405		AR	Shim, 41 x 49 x 1.3 mm
7	1402-011		1	Seal		0402-406		AR	Shim, 41 x 49 x 1.4 mm
8	0423-423		1	Ring, Retaining		0402-407		AR	Shim, 41 x 49 x 1.5 mm
9	1502-237		1	Bracket, Actuator		0402-408		AR	Shim, 41 x 49 x 1.6 mm
10	1502-909		1	Actuator (inc. 11)		0402-409		AR	Shim, 41 x 49 x 1.7 mm
11	1402-981		1	● O-Ring	39	1502-859		1	Gear, Ring - 34T
12	0423-892		1	O-Ring	40	1402-074		AR	Shim, 61 x 69 x 1.3 mm
13	0423-396		3	Screw, Self-Tapping		1402-075		AR	Shim, 61 x 69 x 1.4 mm
14	1402-043		1	Bearing		1402-076		AR	Shim, 61 x 69 x 1.5 mm
15	0423-118		11	Screw, Self-Tapping		1402-077		AR	Shim, 61 x 69 x 1.6 mm
16	0502-528		1	Housing, Pinion		1402-078		AR	Shim, 61 x 69 x 1.7 mm
17	0402-947		1	Gasket, Flange	41	1502-895		1	Cover, Gearcase (inc. one No. 35, 42-52, and one No. 53)
18	0423-417		1	Ring, Retaining	42	1402-053		1	● Bearing
19	0402-997		1	Shaft, Selector	43	0502-413		1	● Flange, Bearing
20	0423-402		1	Ring, Retaining	44	1402-079		1	● Pin, Parallel
21	0402-998		1	Fork, Selector	45	1402-042		1	● Collar, Sliding
22	0402-417		1	Shaft, Shuttle	46	1402-054		1	● Fork
23	0423-147		1	O-Ring	47	1402-058		2	● Ring, Retaining
24	0402-999		1	Spring, Return	48	1402-057		1	● Spring
25	0402-413		1	Coupler, Drive	49	1402-063		1	● Spring
26	1423-067		1	Ring, Retaining	50	1402-656		1	● Shaft, Lock
27	1502-851		1	Gear, Pinion - Assembly - 11T (inc. 28-29)	51	1402-211		1	● Plug, Oil Level (inc. one No. 35)
28	1402-977		1	● Collar, Retaining	52	1402-056		1	● Seal
29	0402-327		1	● Bearing	53	1402-950		2	● Seal
30	1502-856		1	Housing, Gearcase	54	0402-333		1	Plug, Fill (inc. 55)
31	1402-980		1	Fitting, Elbow	55	0423-154		1	● O-Ring

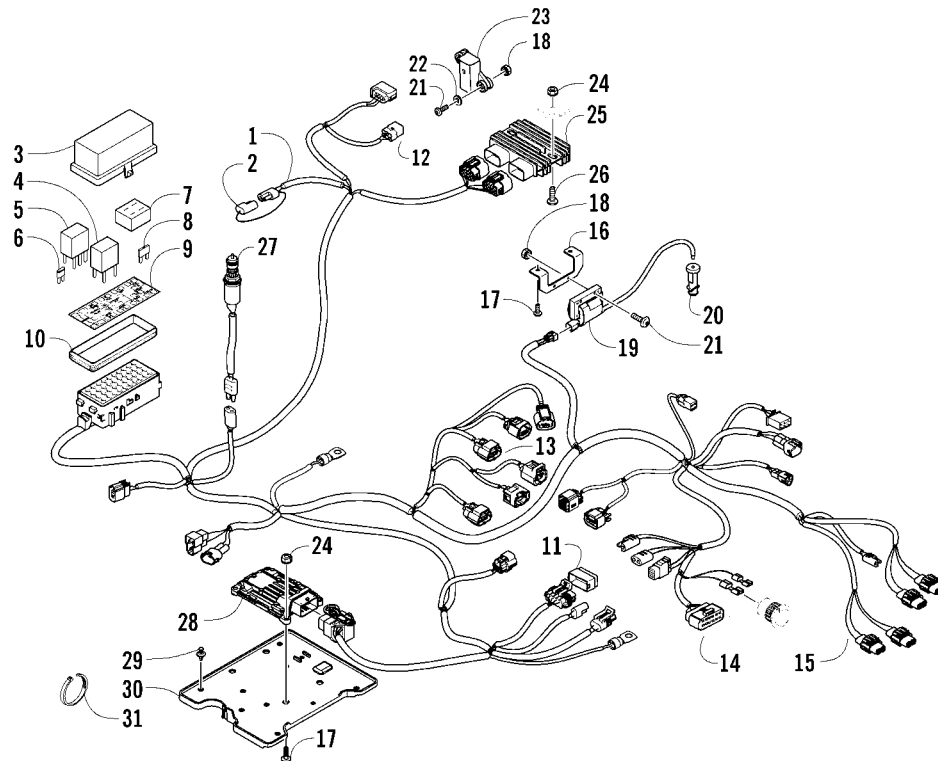


## REAR DRIVE GEARCASE ASSEMBLY

0745-994

Ref	Part No.	New	Qty	Description	Ref	Part No.	New	Qty	Description
-	1502-880		1	Complete Rear Drive Gearcase Assembly	13	0423-154		1	● O-Ring
1	1502-896		1	Housing, Gearcase	14	1402-211		1	Plug, Oil Level (inc. one No. 15)
2	1402-442		1	Fitting, Elbow	15	0423-153		2	● O-Ring
3	1402-950		2	Seal	16	0402-450		1	Plug, Magnetic (inc. one No. 15)
4	0402-393		2	Bearing	17	0402-947		1	Gasket
5	0402-405	AR		Shim, 41 x 49 x 1.3 mm	18	0402-411		1	Pin, Dowel
	0402-406	AR		Shim, 41 x 49 x 1.4 mm	19	0402-328		1	Bearing
	0402-407	AR		Shim, 41 x 49 x 1.5 mm	20	1502-851		1	Gear, Pinion - Assembly - 11T (inc. 21-22)
	0402-408	AR		Shim, 41 x 49 x 1.6 mm	21	0402-327		1	● Bearing
	0402-409	AR		Shim, 41 x 49 x 1.7 mm	22	1402-977		1	● Collar, Retaining
6	1402-033		1	Gear, Ring - 34T	23	1423-067		1	Ring, Retaining
7	0423-149		1	O-Ring	24	0423-834		3	Screw, Self-Tapping
8	1502-897		1	Cover, Gearcase	25	1502-829		1	Shaft, Input (inc. 26-33)
9	0402-429	AR		Shim, 6.3 x 18 x 1.3 mm	26	1502-564		1	● Cartridge, Clutch - Assembly
	0402-430	AR		Shim, 6.3 x 18 x 1.4 mm	27	0423-799		1	● Ring, Retaining - External
	0402-431	AR		Shim, 6.3 x 18 x 1.5 mm	28	1402-682		1	● Basket, Clutch
	0402-432	AR		Shim, 6.3 x 18 x 1.6 mm	29	0423-798		1	● Ring, Retaining - Internal
	0402-433	AR		Shim, 6.3 x 18 x 1.7 mm	30	1402-678		1	● Bearing, Flange
10	0402-326		1	Button, Thrust	31	1402-677		1	● Bearing
11	0423-118		8	Screw, Self-Tapping	32	1402-687		1	● Seal
12	0402-333		1	Plug, Fill (inc. 13)	33	1502-285		1	● Housing, Input

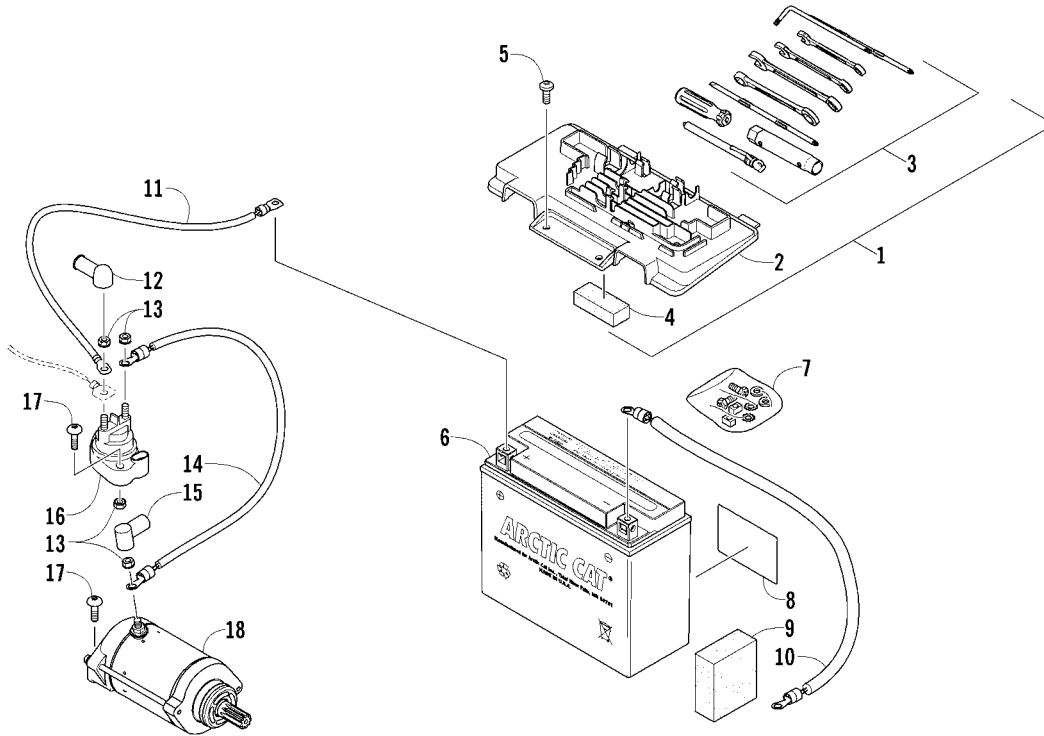




## WIRING HARNESS ASSEMBLY

0746-904

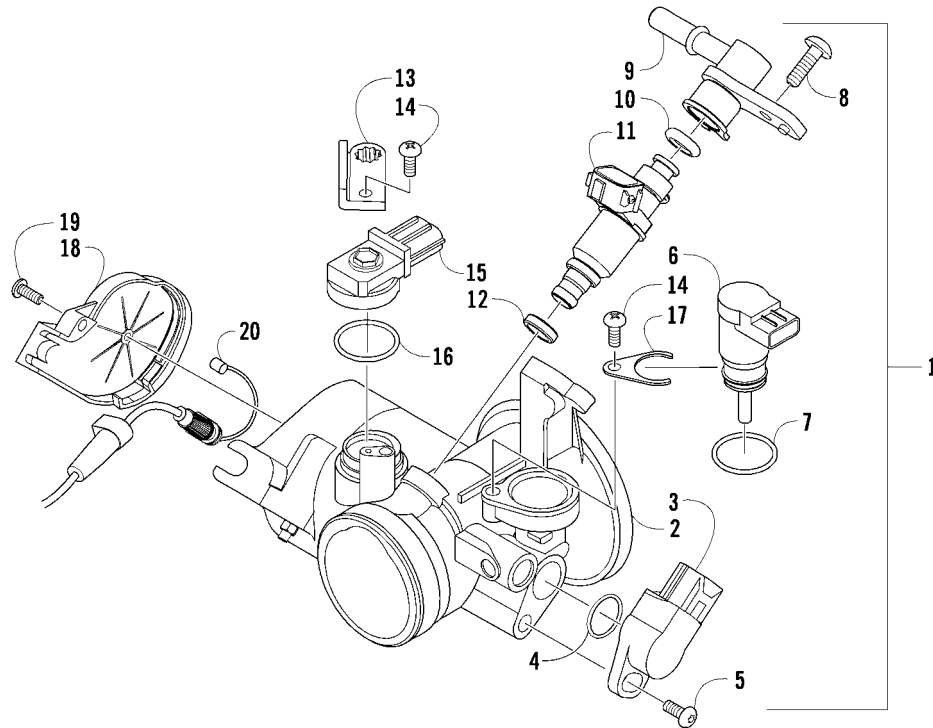
Ref	Part No.	New	Qty	Description	Ref	Part No.	New	Qty	Description
1	0486-430	X	1	Harness, Main (inc. 2-11)	16	4406-029	X	1	Bracket, Mounting - Coil
2	0486-164		1	● Tether, Accessory Connector	17	8476-620		6	Screw, Machine
3	0430-085		1	● Cover, Fuse Block	18	0423-493		4	Nut w/Washer
4	0430-045		3	● Relay (4-Pin) - 20 Amp	19	0824-071		1	Coil, Ignition (inc. 20)
5	0430-033		1	● Relay (5-Pin) - 30 Amp	20	0824-049		1	● Cap, Spark Plug
6	0430-100		1	● Breaker, Circuit - 15 Amp	21	8468-425		4	Screw, Machine
7	0430-037		1	● Holder, Fuse	22	0123-802		2	Washer
8	0430-032		7	● Fuse - 10 Amp	23	0409-064		1	Sensor, Tilt
	0430-031		2	● Fuse - 15 Amp	24	0623-038		6	Nut w/Washer
	0430-030		4	● Fuse - 30 Amp	25	0824-072		1	Regulator, Voltage
9	2411-886	X	1	● Decal, Fuse Block	26	8476-625		2	Screw, Machine
10	0430-086		1	● Seal	27	0409-089		1	Switch, Brake - Assembly
11	0430-103		1	● Cover, Diagnostics Connector	28	0530-089	X	1	ECM
12	1436-416		1	Repair Kit, Connector - Tilt Sensor	29	0623-362		4	Rivet, Reinstallable
13	1436-417		1	Repair Kit, Connector - Idle Speed Control	30	2416-181		1	Tray, Electrical
14	1436-415		1	Repair Kit, Connector - LCD Gauge	31	0123-788	AR		Tie, Cable - 8 in.
15	1436-289	AR		Repair Kit, Connector - Headlight		0123-903	AR		Tie, Cable - 11.5 in.



## BATTERY AND STARTER ASSEMBLY

0746-852

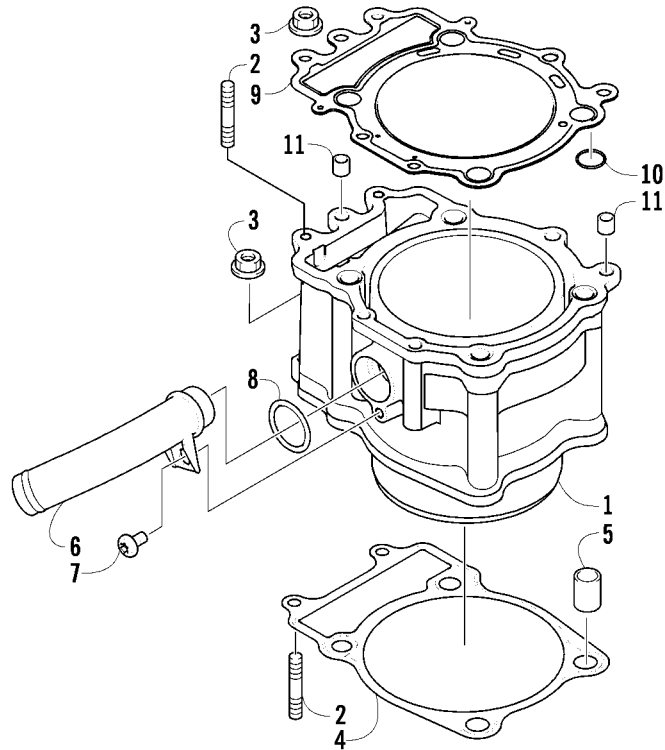
Ref	Part No.	New	Qty	Description	Ref	Part No.	New	Qty	Description
1	5993-040	X	1	Battery Cover/Tool Tray Assembly (inc. 2-4)	10	0445-079		1	Cable, Battery/Ground
2	4406-136	X	1	● Cover, Battery	11	0445-062		1	Cable, Battery/Solenoid
3	0444-122		1	● Kit, Tool	12	0645-327		1	Boot, Terminal
4	0417-016		1	● Pad, Battery	13	0623-038		5	Nut w/Washer
5	8476-620		2	Screw, Machine	14	0445-096	X	1	Cable, Solenoid/Starter (inc. 15)
6	0645-480		1	Battery Assembly (inc. 7-8)	15	0645-019		1	● Boot, Terminal
7	0445-082		1	● Kit, Hardware	16	0445-058		1	Solenoid
8	0645-430		1	● Decal, Warning	17	8476-625		4	Screw, Machine
9	0417-012		1	Foam, Battery	18	0825-013		1	Motor, Starter - Assembly



## THROTTLE BODY ASSEMBLY

0743-846

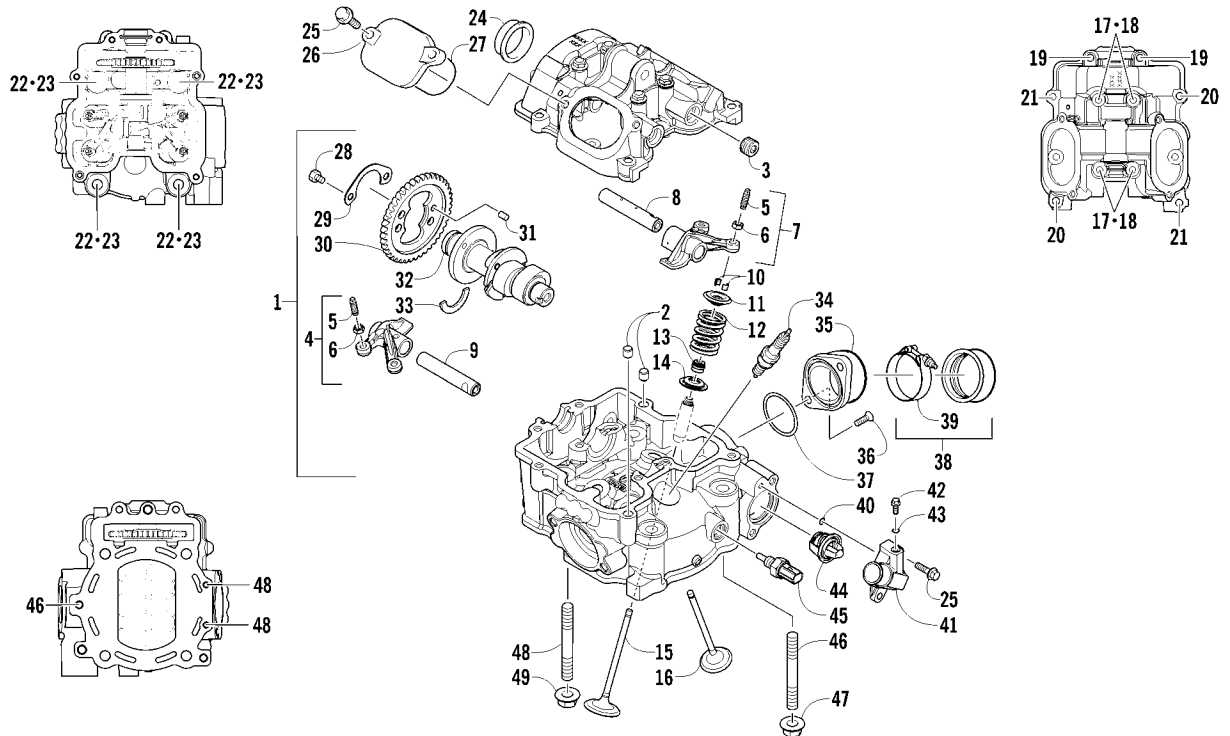
Ref	Part No.	New Qty	Description	Ref	Part No.	New Qty	Description
1	0470-753	1	Throttle - Assembly (inc. 2-19)	11	0470-762	1	● Injector, Fuel
2	-	1	● Throttle Body - Not a Service Part	12	0470-768	1	● Seal
3	0430-072	1	● Sensor, Throttle Position	13	5507-227	1	● Bracket, MAP Sensor
4	5507-234	1	● O-Ring	14	5507-117	2	● Screw, Machine
5	5507-231	1	● Screw, Machine	15	0430-073	1	● Sensor, MAP
6	0430-074	1	● Valve, ISC	16	5507-232	1	● O-Ring
7	5507-233	1	● O-Ring	17	5507-229	1	● Plate, ISC Valve
8	5507-238	1	● Screw, Machine	18	5507-223	1	● Cover
9	0470-687	1	● Rail, Fuel	19	5507-037	1	● Screw, Machine
10	0470-767	1	● O-Ring	20	0487-065	1	Cable, Throttle



### CYLINDER ASSEMBLY

0743-952

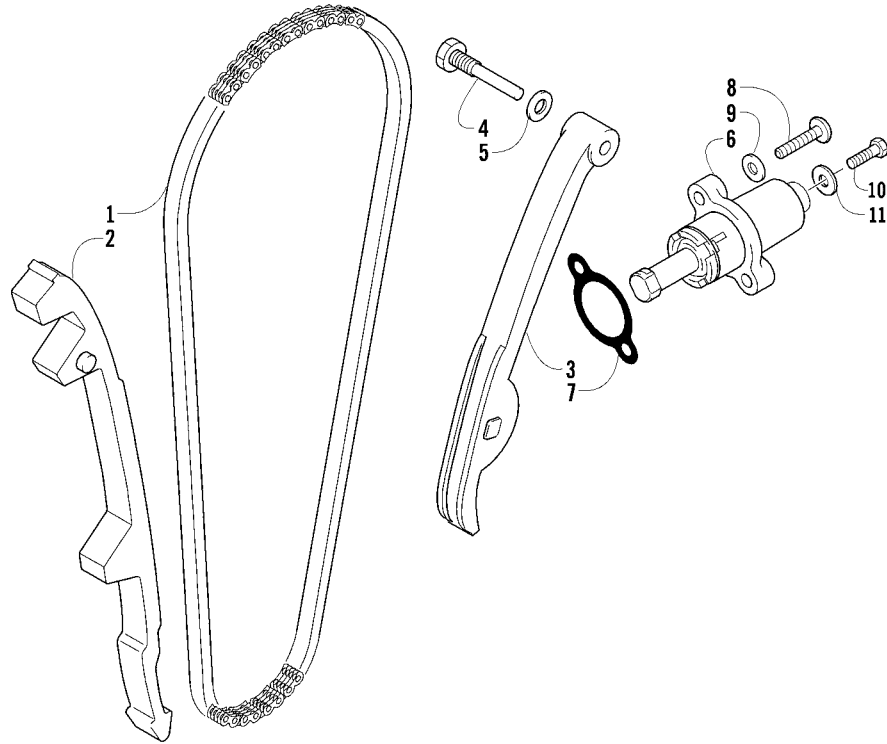
Ref	Part No.	New Qty	Description	Ref	Part No.	New Qty	Description
1	0804-060	1	Cylinder	7	8468-612	1	Screw, Machine
2	0827-002	4	Bolt, Stud	8	0830-007	1	O-Ring
3	8424-604	4	Nut	9	0830-112	1	Gasket, Cylinder Head
4	0830-111	1	Gasket, Base	10	0830-113	4	O-Ring
5	0829-002	2	Pin, Dowel	11	0829-048	2	Pin, Dowel
6	0804-047	1	Union, Coolant Hose				



## CYLINDER HEAD AND CAMSHAFT/VALVE ASSEMBLY

0745-419

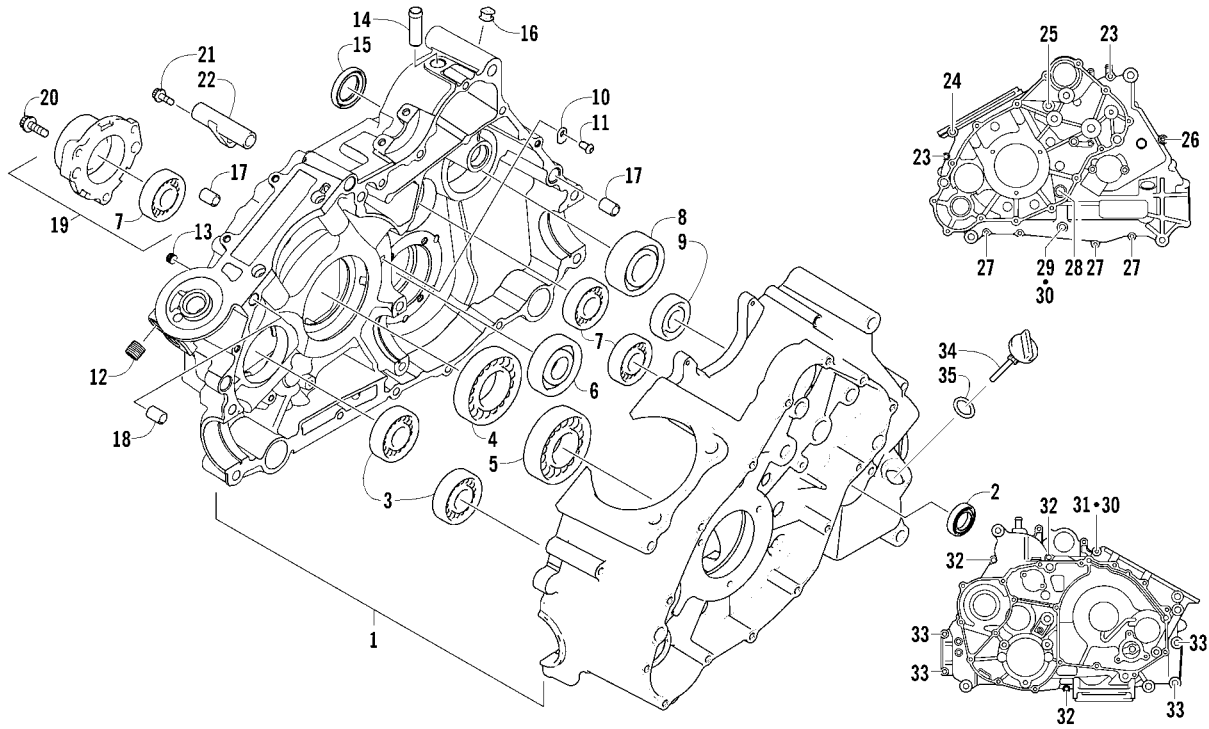
Ref	Part No.	New Qty	Description	Ref	Part No.	New Qty	Description
1	0808-184	1	Head, Cylinder - Assembly (inc. 2-17)	25	0826-007	6	Screw, Cap
2	0829-048	2	● Pin, Dowel	26	0808-003	2	Cap, Inspection
3	0831-092	2	● Plug, Shaft	27	0830-167	2	O-Ring
4	0809-237	1	● Arm, Valve Rocker - Exhaust (inc. two No. 5-6)	28	0826-034	2	Screw, Cap
5	0809-240	4	●● Screw, Adjuster	29	0828-004	1	Plate, Retainer
6	0827-059	4	●● Nut	30	0809-212	1	Sprocket
7	0809-234	1	● Arm, Valve Rocker - Intake (inc. two No. 5-6)	31	0829-049	1	Pin, Dowel
8	0809-241	1	● Shaft, Rocker Arm - Intake	32	0809-245	1	Camshaft
9	0809-242	1	● Shaft, Rocker Arm - Exhaust	33	0809-003	1	C-Ring
10	0809-233	8	● Cotter, Valve	34	0217-799	1	Spark Plug - CPR8E
11	0809-232	4	● Retainer, Spring	35	0470-668	1	Flange, Intake Manifold
12	0809-231	4	● Spring, Valve	36	0826-008	2	Screw, Machine
13	0830-186	4	● Seal, Oil	37	0830-090	1	O-Ring
14	0809-215	4	● Seat, Spring - Valve	38	0437-069	1	Boot (inc. 39)
15	0809-228	2	● Valve, Intake	39	1423-041	1	● Clamp
16	0809-229	2	● Valve, Exhaust	40	0830-168	1	O-Ring
17	0826-149	4	● Screw, Cap	41	0808-208	1	Cover, Thermostat (inc. 42-43)
18	0830-155	4	Gasket	42	8408-512	1	● Screw, Cap
19	0826-002	2	Screw, Cap	43	0423-182	1	● O-Ring
20	0826-005	2	Screw, Cap	44	0808-078	1	Thermostat
21	0826-006	2	Screw, Cap	45	0808-124	1	Sensor, Engine Coolant Temperature
22	0808-037	4	Screw, Cap	46	0827-031	1	Bolt, Stud
23	0830-147	4	Washer	47	8424-804	1	Nut
24	0808-077	1	Plug, Cylinder Head	48	0827-054	2	Bolt, Stud
				49	8424-604	2	Nut



## CAM CHAIN ASSEMBLY

0732-308

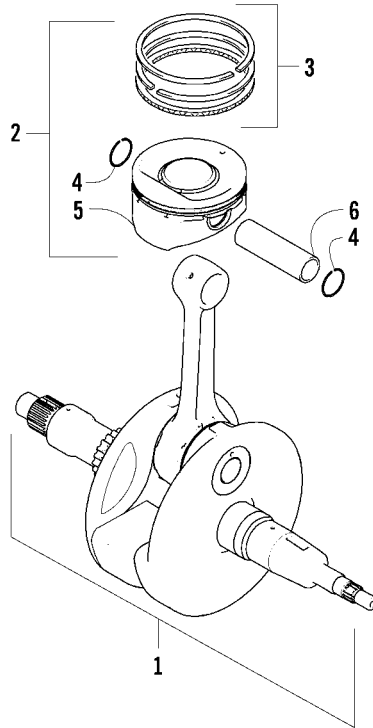
Ref	Part No.	New Qty	Description	Ref	Part No.	New Qty	Description
1	0810-001	1	Chain, Cam	7	0830-018	1	Gasket
2	0810-002	1	Guide, Chain	8	8468-625	2	Screw, Machine
3	0810-003	1	Tensioner, Chain	9	0830-107	2	Gasket
4	0826-036	1	Pivot, Tensioner	10	8400-610	1	Screw, Cap
5	0830-025	1	Washer, Crush	11	0828-129	1	Washer
6	0810-004	1	Adjuster, Tensioner - Assembly				



## CRANKCASE ASSEMBLY

0746-854

Ref	Part No.	New Qty	Description	Ref	Part No.	New Qty	Description
1	0801-151	1	Crankcase Assembly (inc. 2-15)	19	0801-029	1	Housing, Secondary Shaft (inc. one No. 7)
2	0822-052	1	● Seal, Countershaft	20	0826-105	3	Screw, Cap
3	0832-044	2	● Bearing	21	0826-038	1	Screw, Cap
4	0832-042	1	● Bearing	22	0801-069	1	Pipe, Breather
5	0832-043	1	● Bearing	23	8468-675	2	Screw, Machine
6	0832-077	1	● Bearing	24	0826-019	1	Screw, Cap
7	0832-050	3	● Bearing	25	8468-680	1	Screw, Machine
8	0832-048	1	● Bearing	26	8468-695	1	Screw, Machine
9	0832-049	1	● Bearing	27	8468-645	3	Screw, Machine
10	0822-010	4	● Retainer, Bearing	28	0826-017	1	Screw, Cap
11	0826-100	4	● Screw, Machine	29	8412-860	1	Screw, Cap
12	0812-064	2	● Plug	30	0830-008	2	Gasket
13	0801-002	1	● Plug	31	0826-018	1	Screw, Cap
14	0801-028	1	● Pipe, Breather	32	8468-655	3	Screw, Machine
15	0830-035	1	● Seal, Driveshaft	33	8412-850	4	Screw, Cap
16	0830-217	X 1	Grommet	34	0801-179	1	Stick, Oil Level
17	0829-002	5	Pin, Dowel	35	0830-010	1	O-Ring
18	0829-003	1	Pin, Dowel				

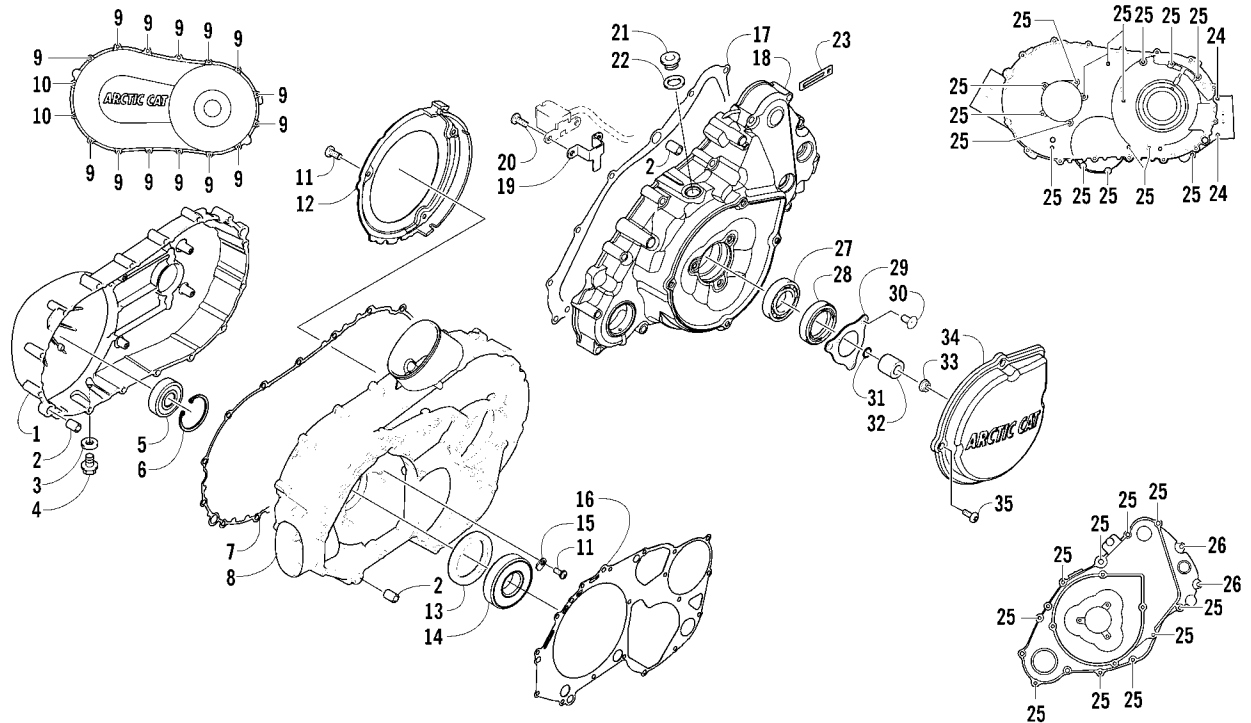


## CRANKSHAFT AND PISTON ASSEMBLY

0739-932

Ref	Part No.	New Qty	Description	Ref	Part No.	New Qty	Description
1	0805-326	1	Crankshaft Assembly	4	0831-001	2	● Circlip, Piston Pin
2	0805-297	1	Piston Set (inc. 3-6)	5	0805-296	1	● Piston
3	0805-132	1	● Ring, Piston - Set	6	0805-210	1	● Pin, Piston

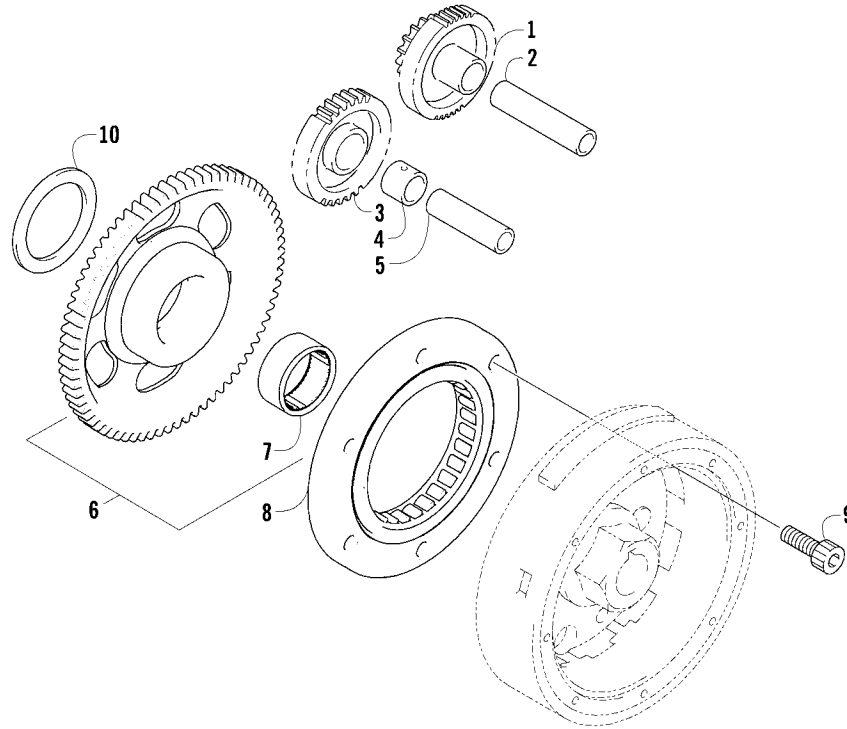




## CLUTCH/V-BELT/MAGNETO COVER ASSEMBLY

0746-914

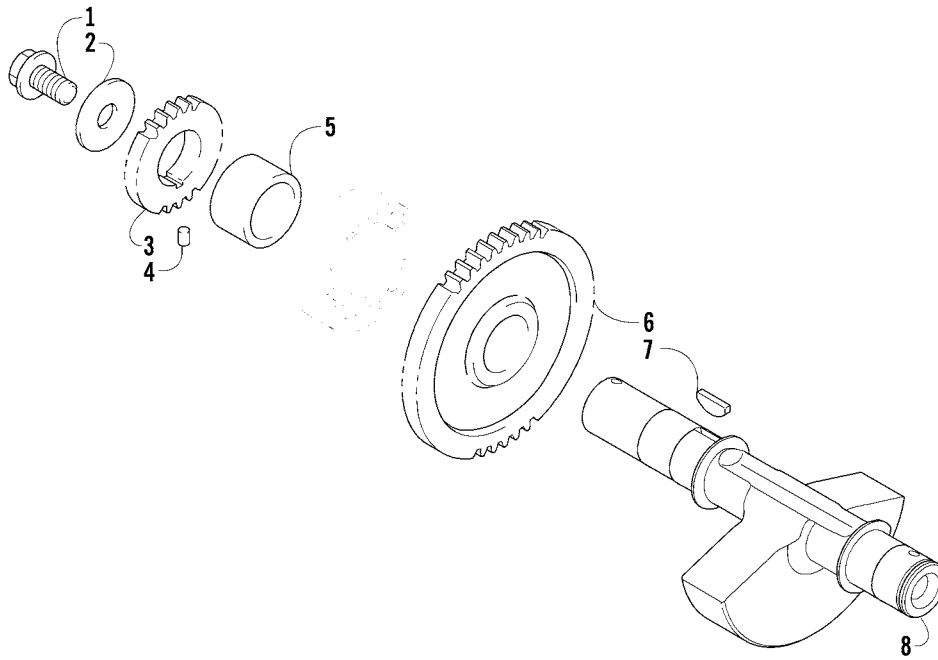
Ref	Part No.	New Qty	Description	Ref	Part No.	New Qty	Description
1	0806-089	1	Cover, V-Belt	19	0802-071	X 1	● Clamp, Routing
2	0829-002	6	Pin, Dowel	20	8470-510	2	Screw, Machine
3	0830-013	1	Washer, Crush	21	0826-155	1	Plug
4	8408-812	1	Screw, Cap	22	0830-015	1	Washer, Crush
5	0832-060	1	Bearing	23	1623-984	X 1	Clamp, Routing
6	0831-078	1	Ring, Retaining	24	8468-675	2	Screw, Machine
7	0830-174	1	Gasket, V-Belt Cover	25	8468-640	26	Screw, Machine
8	0806-091	1	Cover, Clutch	26	8468-625	2	Screw, Machine
9	8468-645	14	Screw, Machine	27	1602-981	1	Bearing
10	8468-655	2	Screw, Machine	28	0830-158	1	Seal
11	0826-029	5	Screw, Machine	29	0805-008	1	Retainer, Seal
12	0806-048	1	Plate, Air Intake	30	0826-031	3	Screw, Machine
13	0830-188	1	Seal	31	0830-108	1	O-Ring
14	0832-009	1	Bearing	32	0820-061	1	Bushing
15	0822-010	2	Retainer, Bearing	33	0827-008	1	Nut
16	0830-116	1	Gasket, Clutch Cover	34	0820-062	1	Cover, Magneto
17	0830-128	1	Gasket, Magneto Cover	35	8468-616	4	Screw, Machine
18	0806-127	X 1	Cover, Magneto - Assembly (inc. 19)				



## STARTER CLUTCH ASSEMBLY

0739-940

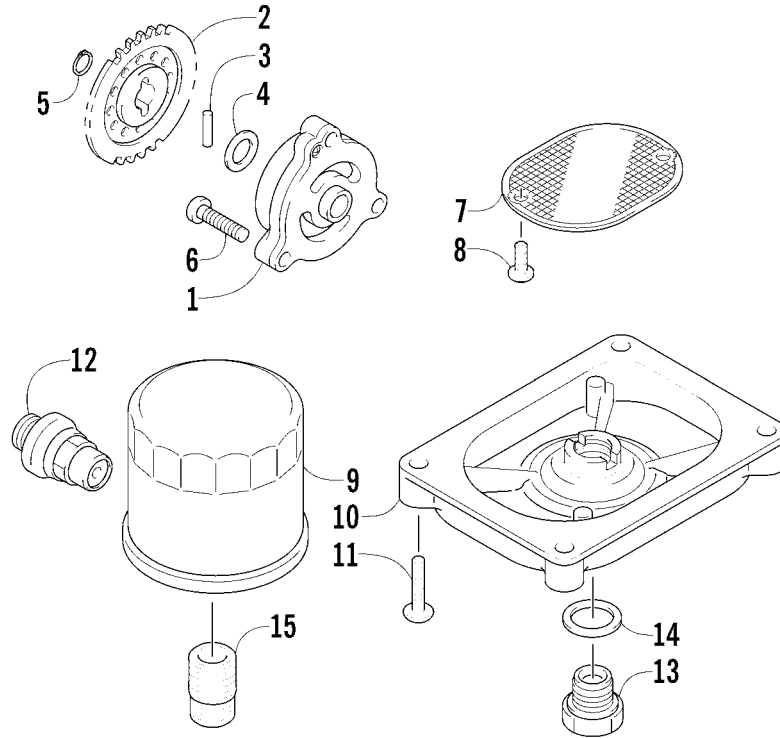
Ref	Part No.	New Qty	Description	Ref	Part No.	New Qty	Description
1	0815-001	1	Gear, Starter Idler - No. 1	6	0815-004	1	Gear, Starter Clutch (inc. 7)
2	0829-031	1	Shaft, Starter Gear	7	0832-079	1	● Bearing
3	0815-002	1	Gear, Starter Idler - No. 2	8	0802-035	1	Clutch, Starter
4	0815-003	1	Spacer, Starter Idler Gear No. 2	9	0826-069	6	Screw, Cap
5	0829-032	1	Shaft, Starter Gear	10	0828-094	1	Washer



## CRANK BALANCER ASSEMBLY

0739-941

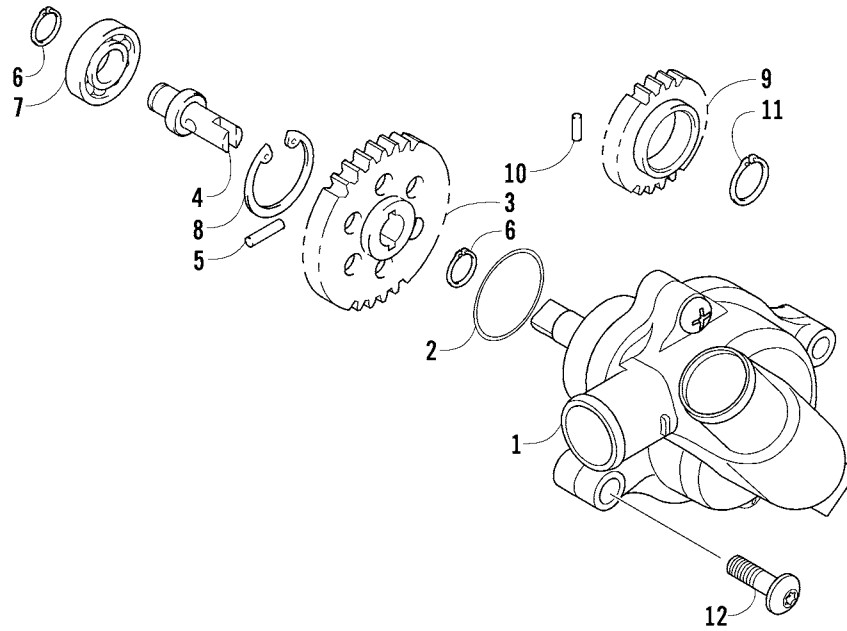
Ref	Part No.	New Qty	Description	Ref	Part No.	New Qty	Description
1	0826-033	1	Screw, Cap	5	0811-004	1	Spacer
2	0828-003	1	Washer	6	0811-034	1	Gear, Driven
3	0811-003	1	Gear, Oil Pump Drive	7	0829-006	1	Key
4	0829-007	1	Pin, Dowel	8	0805-304	1	Balancer, Crank



## OIL FILTER/PUMP ASSEMBLY

0744-012

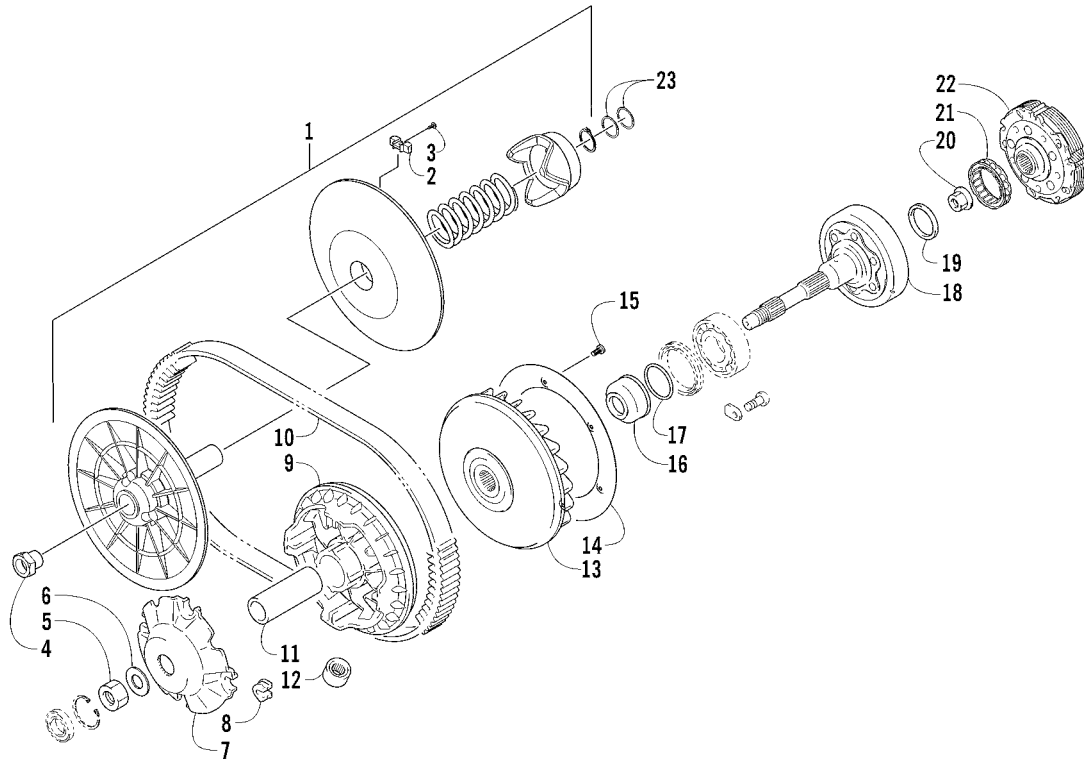
Ref	Part No.	New Qty	Description	Ref	Part No.	New Qty	Description
1	0812-023	1	Pump, Oil	9	0812-029	1	Filter, Oil
2	0812-083	1	Gear, Driven	10	0812-053	1	Cap, Oil Strainer
3	0829-009	1	Pin	11	8468-625	4	Screw, Machine
4	0828-007	1	Washer	12	0812-007	1	Valve, Oil-Relief - Assembly
5	0831-002	1	Ring, Retaining	13	0812-006	1	Plug, Drain
6	0826-039	3	Screw, Machine	14	0830-017	1	Gasket, Drain Plug
7	0812-057	1	Strainer, Oil	15	0812-008	1	Union, Filter
8	0826-040	2	Screw, Machine				



## WATER PUMP ASSEMBLY

0739-945

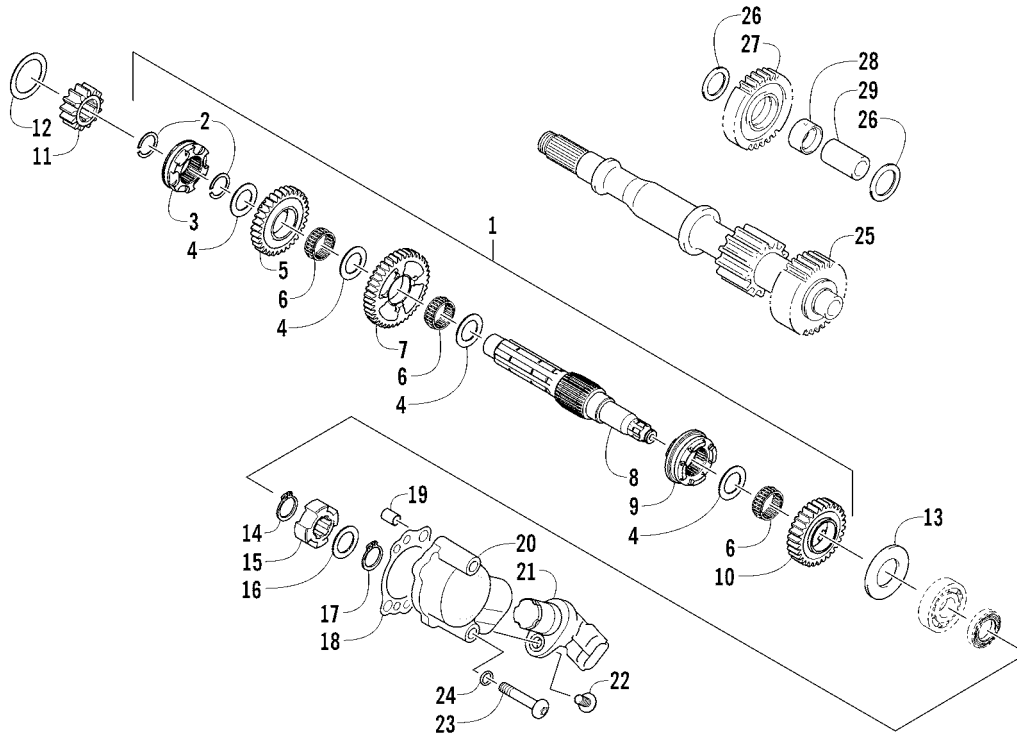
Ref	Part No.	New Qty	Description	Ref	Part No.	New Qty	Description
1	0813-001	1	Pump, Water - Assembly (inc. 2)	7	0832-046	1	Bearing, Shaft
2	0830-029	1	● O-Ring	8	0831-004	1	Ring, Retaining
3	0813-004	1	Gear, Driven	9	0811-003	1	Gear, Water Pump Drive
4	0813-005	1	Shaft, Driven Gear	10	0829-007	1	Pin, Alignment
5	0829-009	1	Pin, Driven Gear	11	0831-005	1	Ring, Retaining
6	0831-002	2	Ring, Retaining	12	8468-665	2	Screw, Machine



## TRANSMISSION ASSEMBLY

0745-557

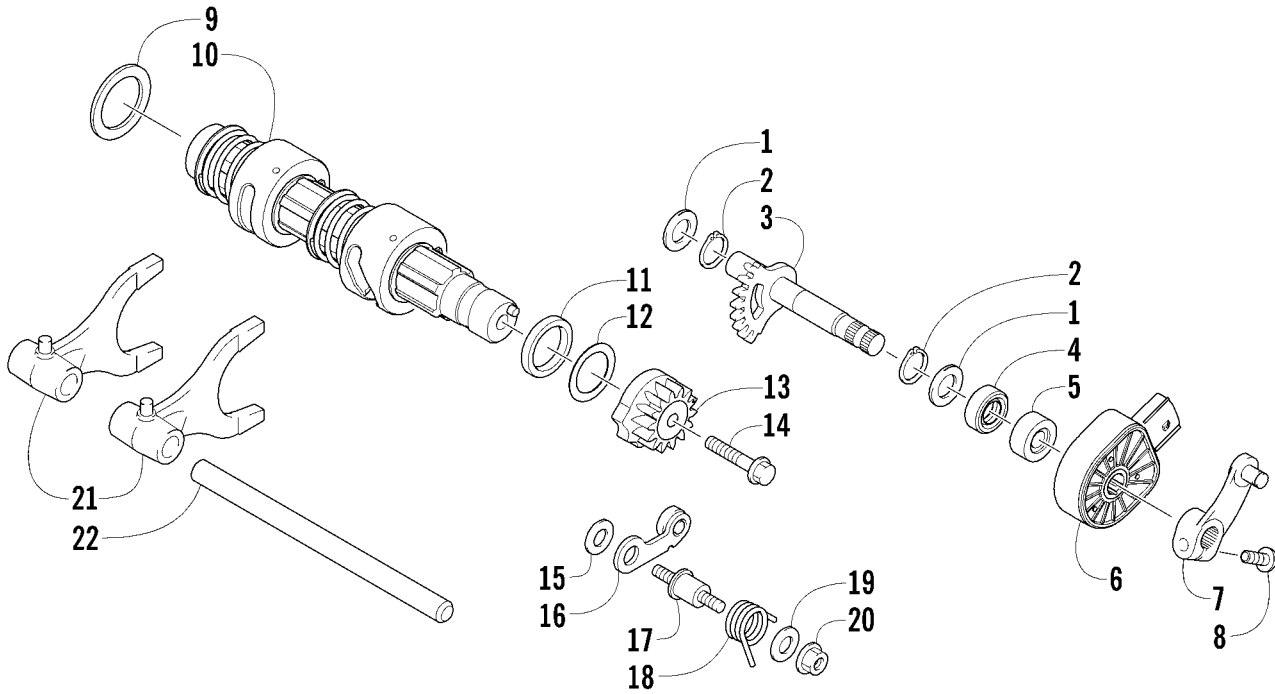
Ref	Part No.	New Qty	Description	Ref	Part No.	New Qty	Description
1	0823-355	1	Pulley, Driven - Assembly (inc. 2-4)	13	0823-272	1	Face, Fixed Drive
2	0823-176	3	● Shoe, Cam	14	0823-131	1	Shroud, Drive Face
3	0823-177	3	● Screw, Machine	15	0623-914	6	Screw, Self-Tapping
4	0823-178	1	● Nut	16	0823-015	1	Spacer, Fixed Drive Face
5	0827-010	1	Nut	17	0470-531	1	O-Ring
6	0828-106	1	Washer	18	0821-002	1	Housing, Clutch - Assembly
7	0823-276	1	Plate, Movable Drive Face	19	0830-189	1	Seal
8	0823-277	4	Damper, Movable Drive Face	20	0827-011	1	Nut
9	0823-273	1	Face, Movable Drive	21	0823-018	1	Clutch, One-Way
10	0823-013	1	Belt, Drive	22	0823-310	1	Clutch, Centrifugal - 6 Plate
11	0823-360	1	Spacer	23	0828-076	2	Shim, 25 x 30 x 0.90 mm
12	0823-295	8	Roller				



## SECONDARY TRANSMISSION ASSEMBLY

0745-260

Ref	Part No.	New	Qty	Description	Ref	Part No.	New	Qty	Description
1	0822-144	X	1	Countershaft Assembly (inc. 2-10)	16	0828-069		1	Washer, Thrust
2	0831-085		2	● Ring, Retaining	17	0831-039		1	Ring, Retaining
3	0822-120		1	● Gear Select, Reverse	18	0830-129		1	Gasket
4	0822-121		4	● Shim	19	0829-023		2	Pin, Dowel
5	0822-119		1	● Gear, Reverse Driven	20	0822-049		1	Housing, Speedometer Sensor
6	0832-082		3	● Bearing	21	0430-091		1	Sensor, Speedometer
7	0822-114		1	● Gear, Driven - Low	22	8468-620		1	Screw, Machine
8	0822-113		1	● Countershaft	23	8468-645		2	Screw, Machine
9	0822-145	X	1	● Gear Select, Sliding	24	0830-107		2	Gasket
10	0822-148	X	1	● Gear, Driven - High	25	0822-001		1	Driveshaft
11	0822-125		1	Gear, Drive	26	0828-016		2	Washer, Thrust
12	0828-019		1	Washer, Thrust	27	0822-011		1	Gear, Reverse Idle
13	0828-011		1	Washer	28	0822-012		1	Bushing
14	0831-040		1	Ring, Retaining	29	0822-015		1	Shaft, Reverse Idle
15	0822-050		1	Trigger, Speedometer Sensor					

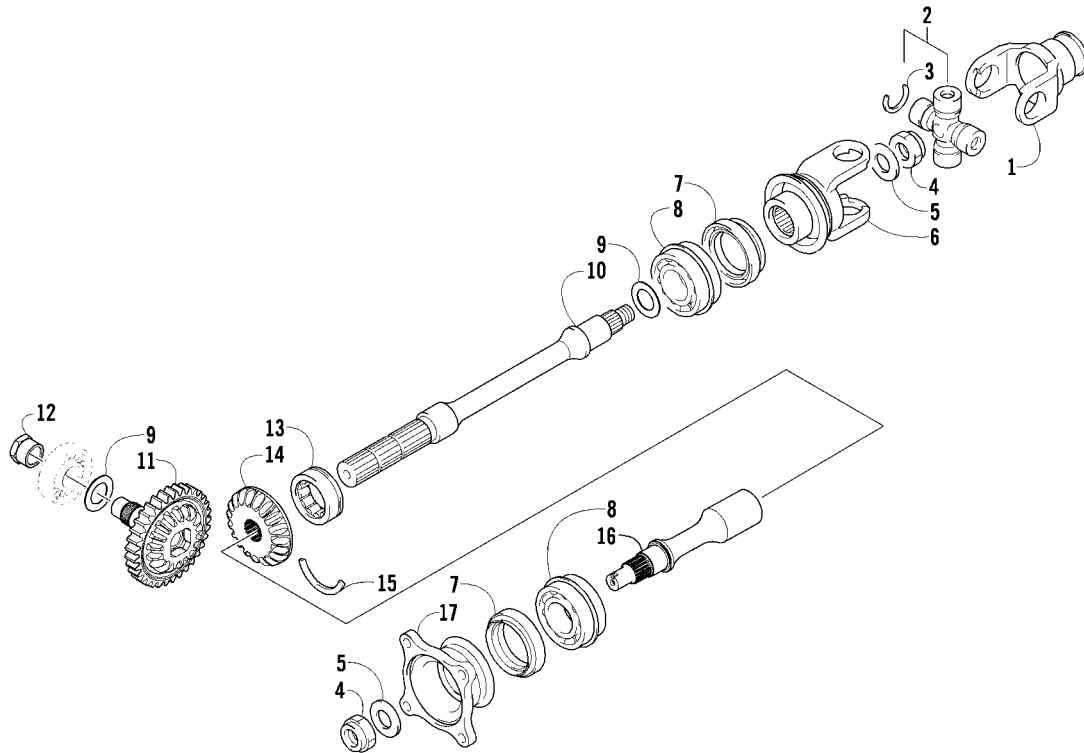


## GEAR SHIFTING ASSEMBLY

0746-855

Ref	Part No.	New	Qty	Description	Ref	Part No.	New	Qty	Description
1	0828-036		2	Washer	12	0828-037		1	Washer
2	0831-010		2	Ring, Retaining	13	0818-143		1	Cam, Gear Shift
3	0818-155	X	1	Shaft, Sub-Gear Shift	14	0826-006		1	Screw, Cap
4	0830-044		1	Seal, Sub-Gear Shift Shaft	15	0828-038		1	Washer
5	0818-152	X	1	Spacer	16	0818-002		1	Stopper, Cam
6	0409-125		1	Switch, Gear Position	17	0818-004		1	Support, Cam Stopper
7	0818-014		1	Arm, Select	18	0818-144		1	Spring
8	8468-620		1	Screw, Machine	19	0828-035		1	Washer
9	0828-040		1	Washer	20	8424-602		1	Nut
10	0818-149	X	1	Shaft, Gear Shift - Assembly	21	0818-072		2	Fork, Shift
11	0828-131		1	Spacer	22	0818-006		1	Shaft, Shift Fork

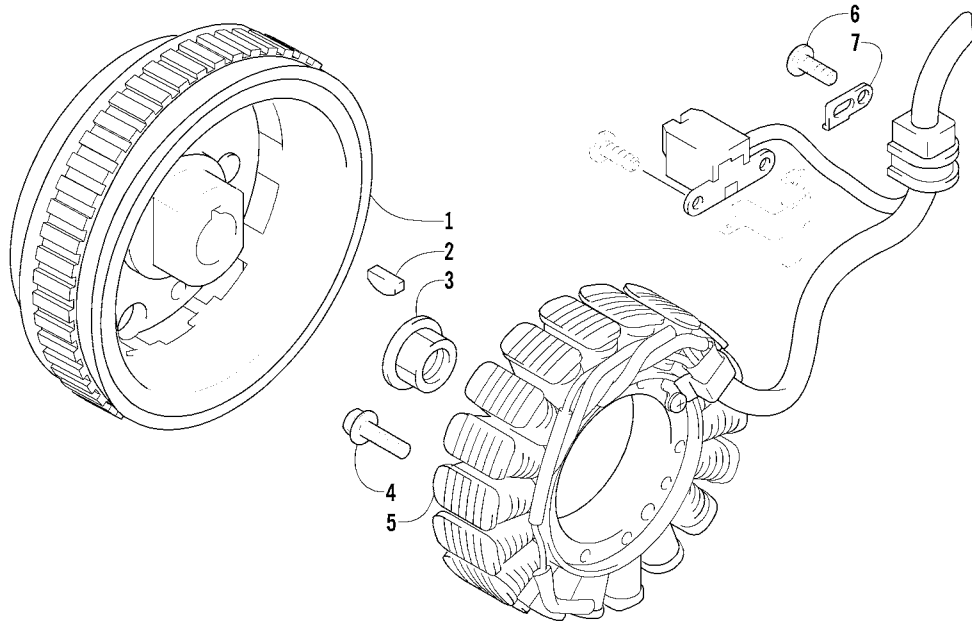




## SECONDARY DRIVE ASSEMBLY

0743-766

Ref	Part No.	New Qty	Description	Ref	Part No.	New Qty	Description
1	0819-063	1	Yoke, Propeller Shaft Joint	10	0819-115	1	Shaft, Secondary Driven - Front
2	1402-164	1	Joint, Universal - Set (inc. 3)	11	0822-131	1	Gear, Secondary Drive
3	0423-450	4	● Ring, Retaining	12	0827-052	1	Nut
4	0827-013	2	Nut	13	0832-016	1	Bearing
5	0828-020	2	Washer	14	0822-106	1	Gear, Secondary Driven
6	0819-061	1	Yoke, Drive Output - Front	15	0819-011	1	Ring, Driven Bearing
7	0830-043	2	Seal, Oil	16	0819-053	1	Shaft, Secondary Driven - Rear
8	0832-017	2	Bearing	17	0819-005	1	Flange, Output Joint - Rear
9	0828-021	AR	Shim, 25 x 34 x 0.25 mm				
	0828-022	AR	Shim, 25 x 34 x 0.30 mm				
	0828-023	AR	Shim, 25 x 34 x 0.70 mm				
	0828-024	AR	Shim, 25 x 34 x 0.90 mm				
	0828-025	AR	Shim, 25 x 34 x 0.95 mm				
	0828-026	AR	Shim, 25 x 34 x 1.00 mm				
	0828-027	AR	Shim, 25 x 34 x 1.05 mm				
	0828-028	AR	Shim, 25 x 34 x 1.10 mm				
	0828-029	AR	Shim, 25 x 34 x 1.15 mm				



## MAGNETO ASSEMBLY

0746-613

Ref	Part No.	New	Qty	Description	Ref	Part No.	New	Qty	Description
1	0802-062	X	1	Rotor/Flywheel	5	0802-065	X	1	Stator - Assembly
2	0829-012		1	Key	6	8470-510		1	Screw, Machine
3	0827-014		1	Nut	7	0802-015		1	Clamp - No. 1
4	8409-632		3	Screw, Cap					

