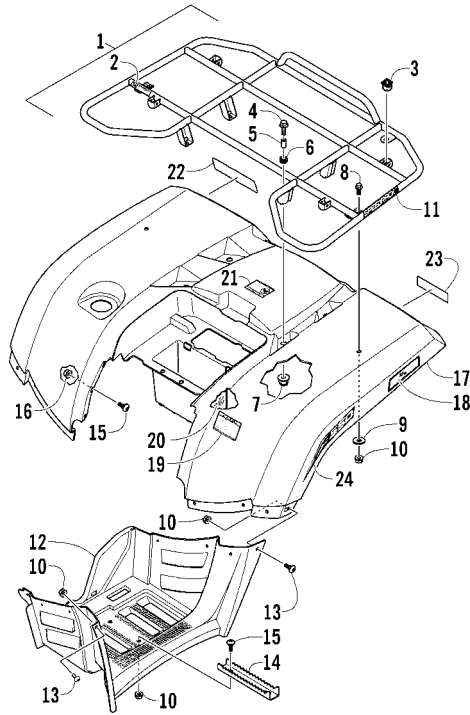


## FRONT RACK, BODY PANEL, AND HEADLIGHT ASSEMBLIES

0746-790

| Ref | Part No. | New Qty | Description   | Ref | Part No. | New Qty | Description   |
|-----|----------|---------|---|-----|----------|---------|---|
| 1   | 2506-646 | 1       | Rack, Front - Assembly (inc. 2-3)                         | 27  | 0423-535 | 2       | Rivet, Reinstallable  |
| 2   | 0411-576 | 1       | ● Decal, Warning - Load                                   | 28  | 2516-721 | 1       | Box, Storage - Black (1PUSI/1POSI/<br>1PUSV/1POSV)                  |
| 3   | 0441-592 | 4       | ● Bushing   |     | 4506-380 | 1       | Box, Storage - Black (1PUSH/1POSH)                                  |
| 4   | 8410-830 | 4       | Screw, Cap  | 29  | 0623-544 | 2       | Clip, Retaining   |
| 5   | 0423-669 | 4       | Spacer  | 30  | 2506-235 | 1       | Lid, Storage Box w/Latch (inc. 31-32)                               |
| 6   | 0423-465 | 4       | Grommet   | 31  | 1406-599 | 1       | ● Latch, Storage Box  |
| 7   | 8432-802 | 4       | Nut, Lock   | 32  | 1406-862 | 1       | ● Lid, Storage Box  |
| 8   | 0423-654 | 2       | Screw, Shoulder   | 33  | 2516-623 | 1       | Panel, Fender - Assembly - Desert Red<br>(inc. 34-40) (1PUSI/1POSI) |
| 9   | 8050-222 | 2       | Washer  |     | 2516-621 | 1       | Panel, Fender - Assembly - Steel Blue<br>(inc. 34-40) (1PUSV/1POSV) |
| 10  | 0423-540 | 2       | Nut, Lock   |     | 2516-421 | 1       | Panel, Fender - Assembly - Camo<br>(1PUSH/1POSH)                    |
| 11  | 2406-380 | 1       | Panel, Side - Lower - Right                               | 34  | 1411-078 | 1       | ● Decal, Reflector - Right - Amber                                  |
|     | 2406-381 | 1       | Panel, Side - Lower - Left                                |     | 1411-079 | 1       | ● Decal, Reflector - Left - Amber                                   |
| 12  | 0423-678 | 8       | Grommet   | 35  | 1411-574 | 1       | ● Decal, Warning - Off-Road Only                                    |
| 13  | 0609-852 | 1       | Headlight Assembly - Right (inc. 14-15)                   | 36  | 1411-804 | 1       | ● Decal, Warning - Age  |
|     | 0609-853 | 1       | Headlight Assembly - Left (inc. 14-15)                    | 37  | 1411-932 | 1       | ● Decal, Warning - General  |
| 14  | 0409-073 | 2       | ● Bulb, Headlight   | 38  | 0411-835 | 1       | ● Decal, Warning - Turn/Hill  |
| 15  | 0409-045 | 2       | ● Bulb, Headlight   | 39  | 1411-250 | 1       | ● Decal, Warning - Reverse/Pre-Ride                                 |
| 16  | 0423-514 | 2       | Stud, Adjuster - Headlight                                | 40  | 0412-394 | 1       | ● Foil, Protective  |
| 17  | 0423-522 | 2       | Spring, Adjuster  | 41  | 0423-101 | 2       | Screw, Shoulder   |
| 18  | 0423-513 | 2       | Knob, Adjuster  | 42  | 3411-034 | X 1     | Decal, Side - Upper Right (1PUSI/<br>1POSI/1PUSV/1POSV)             |
| 19  | 0623-785 | 4       | Screw, Self-Tapping                                       |     | 3411-035 | X 1     | Decal, Side - Upper Left (1PUSI/1POSI/<br>1PUSV/1POSV)              |
| 20  | 8050-217 | 8       | Washer  |     | 3411-242 | X 1     | Decal, Side - Upper Right<br>(1PUSH/1POSH)                          |
| 21  | 0423-447 | 4       | Grommet   |     | 3411-243 | X 1     | Decal, Side - Upper Left<br>(1PUSH/1POSH)                           |
| 22  | 2516-702 | 1       | Cover, Access - Desert Red<br>(1PUSI/1POSI)               | 43  | 3411-264 | X 1     | Decal, "EFI"<br>(1PUSI/1POSI/1PUSV/1POSV)                           |
|     | 2516-700 | 1       | Cover, Access - Steel Blue<br>(1PUSV/1POSV)               |     | 3411-320 | X 1     | Decal, "EFI" (1PUSH/1POSH)  |
|     | 4506-378 | 1       | Cover, Access - Black (1PUSH/1POSH)                       |     |          |         |   |
| 23  | 8410-616 | 4       | Screw, Cap  |     |          |         |   |
| 24  | 0423-997 | 4       | T-Nut   |     |          |         |   |
| 25  | 0623-362 | 2       | Rivet, Reinstallable                                      |     |          |         |   |
| 26  | 2516-698 | 1       | Cover, Steering Post - Black<br>(1PUSI/1POSI/1PUSV/1POSV) |     |          |         |   |
|     | 4506-379 | 1       | Cover, Steering Post - Black<br>(1PUSH/1POSH)             |     |          |         |   |

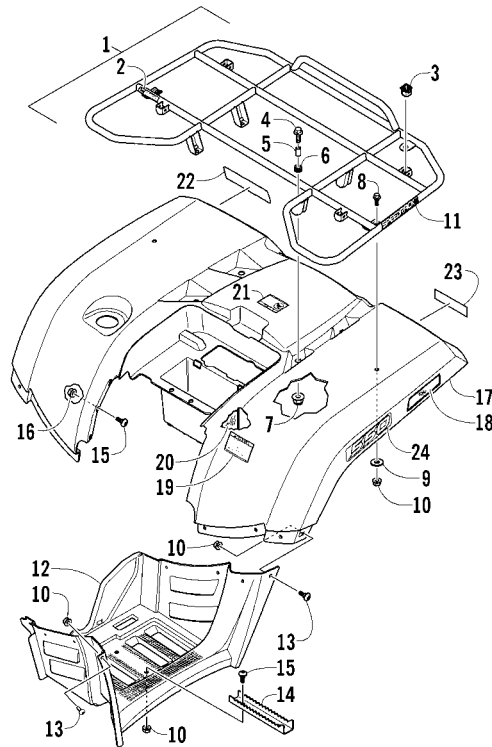


## REAR RACK, BODY PANEL, AND FOOTWELL ASSEMBLIES

(1PUSI/1POSI/1PUSV/1POSV)

0746-795

| Ref | Part No. | New | Qty | Description                      | Ref | Part No. | New | Qty | Description                                   |
|-----|----------|-----|-----|----------------------------------|-----|----------|-----|-----|---|
| 1   | 2506-124 |     | 1   | Rack, Rear - Assembly (inc. 2-3) | 17  | 2516-688 |     | 1   | Panel, Fender - Assembly - Black (inc. 18-21) |
| 2   | 0411-648 |     | 1   | ● Decal, Warning - Load          | 18  | 1411-598 |     | 1   | ● Decal, Reflector - Right - Red              |
| 3   | 0441-592 |     | 4   | ● Bushing                        |     | 1411-599 |     | 1   | ● Decal, Reflector - Left - Red               |
| 4   | 8410-830 |     | 4   | Screw, Cap                       | 19  | 2411-143 |     | 1   | ● Decal, Warning - Tire Pressure              |
| 5   | 0423-669 |     | 4   | Spacer                           | 20  | 0412-351 |     | 1   | ● Foil, Protective                            |
| 6   | 0423-465 |     | 4   | Grommet                          | 21  | 1411-809 |     | 1   | ● Decal, Passenger                            |
| 7   | 8432-802 |     | 4   | Nut, Lock                        | 22  | 1411-725 |     | 1   | Decal, "Arctic Cat"                           |
| 8   | 0423-654 |     | 2   | Screw, Shoulder                  | 23  | 3411-061 | X   | 1   | Decal, "Limited"                              |
| 9   | 8050-222 |     | 2   | Washer                           | 24  | 3411-044 | X   | 1   | Decal, Side - Lower Right (1PUSI/1POSI)       |
| 10  | 0423-540 |     | 24  | Nut, Lock                        |     | 3411-045 | X   | 1   | Decal, Side - Lower Left (1PUSI/1POSI)        |
| 11  | 0411-965 |     | 2   | Decal, "Speedrack"               |     | 3411-042 | X   | 1   | Decal, Side - Lower Right (1PUSV/1POSV)       |
| 12  | 2406-280 |     | 1   | Footwell - Right                 |     | 3411-043 | X   | 1   | Decal, Side - Lower Left (1PUSV/1POSV)        |
|     | 2406-281 |     | 1   | Footwell - Left                  |     |          |     |     |   |
| 13  | 0423-419 |     | 18  | Screw, Machine                   |     |          |     |     |   |
| 14  | 1506-125 |     | 2   | Footpeg                          |     |          |     |     |   |
| 15  | 0423-355 |     | 10  | Screw, Shoulder                  |     |          |     |     |   |
| 16  | 8424-602 |     | 6   | Nut                              |     |          |     |     |   |

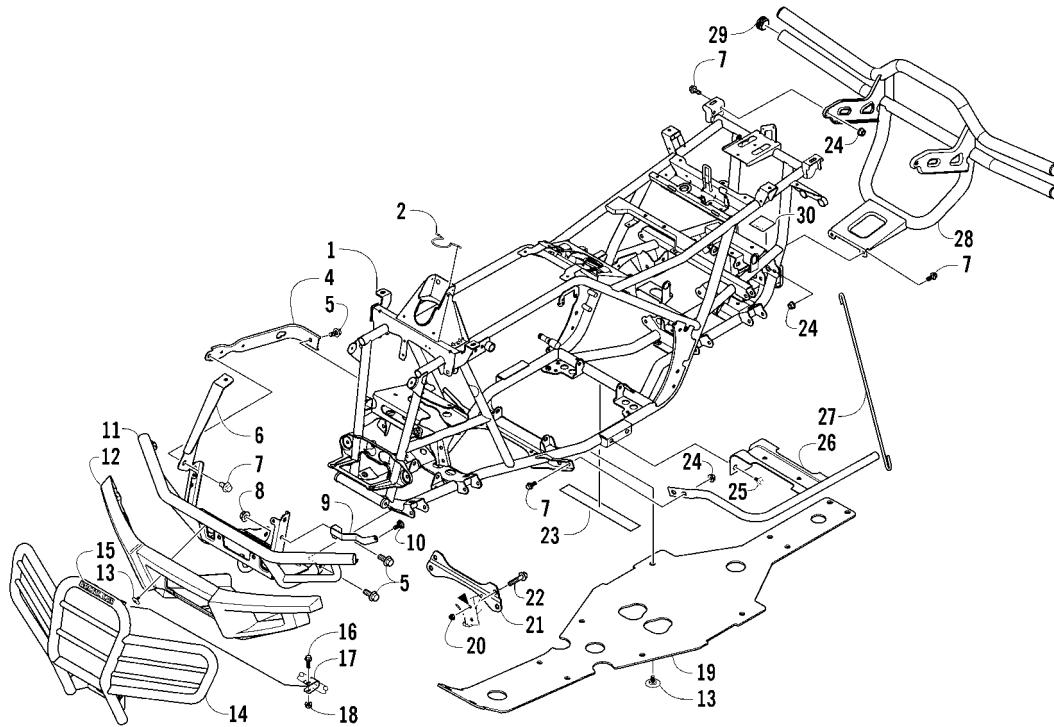


## REAR RACK, BODY PANEL, AND FOOTWELL ASSEMBLIES

(1PUSH/1POSH)

0746-798

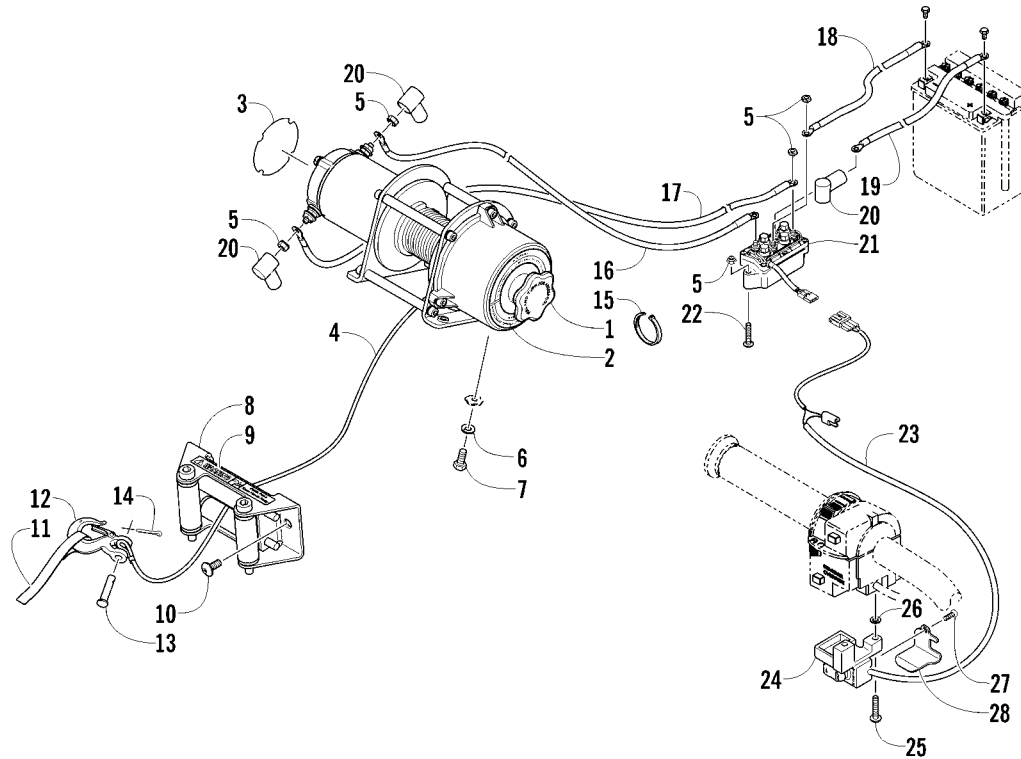
| Ref | Part No. | New Qty | Description                      | Ref | Part No. | New Qty | Description                                  |
|-----|----------|---------|----------------------------------|-----|----------|---------|--|
| 1   | 2506-124 | 1       | Rack, Rear - Assembly (inc. 2-3) | 14  | 1506-125 | 2       | Footpeg                                      |
| 2   | 0411-648 | 1       | ● Decal, Warning - Load          | 15  | 0423-355 | 10      | Screw, Shoulder                              |
| 3   | 0441-592 | 4       | ● Bushing                        | 16  | 8424-602 | 6       | Nut  |
| 4   | 8410-830 | 4       | Screw, Cap                       | 17  | 2516-960 | 1       | Panel, Fender - Assembly - Camo (inc. 18-21) |
| 5   | 0423-669 | 4       | Spacer                           | 18  | 1411-598 | 1       | ● Decal, Reflector - Right - Red             |
| 6   | 0423-465 | 4       | Grommet                          |     | 1411-599 | 1       | ● Decal, Reflector - Left - Red              |
| 7   | 8432-802 | 4       | Nut, Lock                        | 19  | 2411-143 | 1       | ● Decal, Warning - Tire Pressure             |
| 8   | 0423-654 | 2       | Screw, Shoulder                  | 20  | 0412-351 | 1       | ● Foil, Protective                           |
| 9   | 8050-222 | 2       | Washer                           | 21  | 1411-809 | 1       | ● Decal, Passenger                           |
| 10  | 0423-540 | 24      | Nut, Lock                        | 22  | 3411-326 | X 1     | Decal, "Arctic Cat"                          |
| 11  | 0411-965 | 2       | Decal, "Speedrack"               | 23  | 3411-245 | X 1     | Decal, "Limited"                             |
| 12  | 2406-280 | 1       | Footwell - Right                 | 24  | 3411-248 | X 2     | Decal, "550"                                 |
|     | 2406-281 | 1       | Footwell - Left                  |     |          |         |  |
| 13  | 0423-419 | 18      | Screw, Machine                   |     |          |         |  |



## FRAME AND RELATED PARTS

0746-799

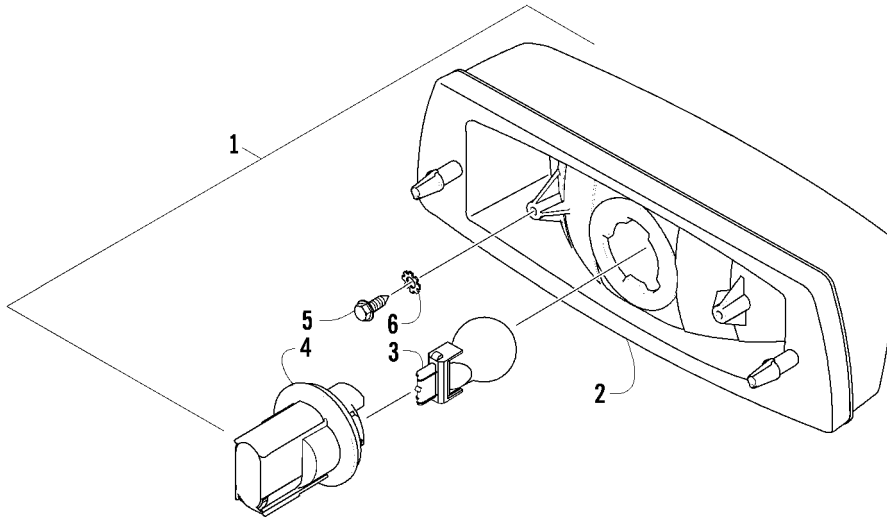
| Ref | Part No. | New | Qty | Description                        | Ref | Part No. | New | Qty | Description                   |
|-----|----------|-----|-----|------------------------------------|-----|----------|-----|-----|-------------------------------|
| 1   | 4506-853 | X   | 1   | Frame, Main                        | 16  | 8410-835 |     | 2   | ● Screw, Cap                  |
| 2   | 2416-401 |     | 1   | Clip, Routing                      | 17  | 2506-641 |     | 2   | ● Bracket, Support            |
| 3   | 0706-371 | AR  |     | Trim - 3 ft                        | 18  | 8424-805 |     | 2   | ● Nut                         |
| 4   | 1506-596 |     | 2   | Channel, Bumper Mounting           | 19  | 1406-030 |     | 1   | Panel, Belly                  |
| 5   | 8409-020 |     | 6   | Screw, Cap                         | 20  | 0423-744 |     | 2   | Nut, Lock                     |
| 6   | 1506-686 |     | 1   | Bracket, Mounting - Bumper - Right | 21  | 2516-852 |     | 1   | Brace, A-Arm                  |
|     | 1506-687 |     | 1   | Bracket, Mounting - Bumper - Left  | 22  | 8409-025 |     | 2   | Screw, Cap                    |
| 7   | 8408-816 |     | 10  | Screw, Cap                         | 23  | 0406-289 |     | 2   | Pad, Frame                    |
| 8   | 8424-002 |     | 2   | Nut                                | 24  | 8424-802 |     | 8   | Nut                           |
| 9   | 2516-594 |     | 1   | Bracket, Support - Right           | 25  | 8409-016 |     | 4   | Screw, Cap                    |
|     | 2516-595 |     | 1   | Bracket, Support - Left            | 26  | 1506-659 |     | 1   | Footrest - Right              |
| 10  | 0623-797 |     | 2   | Screw, Self-Tapping                |     | 1506-660 |     | 1   | Footrest - Left               |
| 11  | 1506-684 |     | 1   | Bumper, Front                      | 27  | 2506-426 |     | 2   | Rod, Support                  |
| 12  | 1406-868 |     | 1   | Fascia, Bumper - Front - Black     | 28  | 1506-802 |     | 1   | Bumper, Push - Rear (inc. 29) |
| 13  | 0423-101 |     | 16  | Screw, Shoulder                    | 29  | 2406-045 |     | 4   | ● Plug, Hole                  |
| 14  | 1436-032 |     | 1   | Bumper, Push - Front (inc. 15-18)  | 30  | 1411-077 |     | 1   | Decal, Warning - Towing       |
| 15  | 0411-501 |     | 1   | ● Decal, Bumper - "Arctic Cat"     |     |          |     |     |                               |



## WINCH ASSEMBLY

0745-895

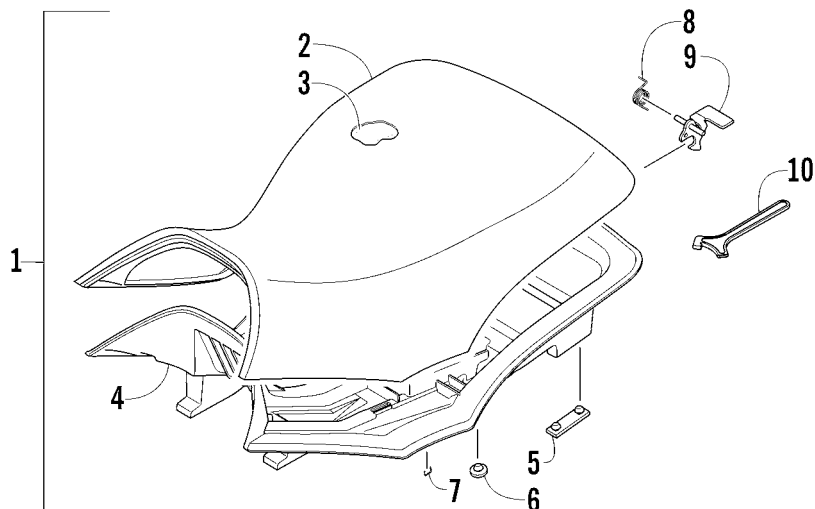
| Ref | Part No. | New | Qty | Description                    | Ref | Part No. | New | Qty | Description                     |
|-----|----------|-----|-----|--------------------------------|-----|----------|-----|-----|---------------------------------|
| 1   | 2441-250 |     | 1   | Winch (inc. 2-4 and two No. 5) | 15  | 0123-903 |     | AR  | Tie, Cable - 11.5 in.           |
| 2   | 2411-141 |     | 1   | ● Decal, Warning - Tension     | 16  | 0445-068 |     | 1   | Cable, Winch/Solenoid - Yellow  |
| 3   | 2411-140 |     | 1   | ● Decal, Warning - Operation   | 17  | 0445-069 |     | 1   | Cable, Winch/Solenoid - Blue    |
| 4   | 1441-831 |     | 1   | ● Cable, Winch                 | 18  | 1441-112 |     | 1   | Cable, Solenoid/Battery - Black |
| 5   | 0623-038 |     | 8   | ● Nut w/Washer                 | 19  | 0445-087 |     | 1   | Cable, Solenoid/Battery - Red   |
| 6   | 8051-246 |     | 4   | Washer, Lock                   | 20  | 0645-019 |     | 3   | Boot, Terminal                  |
| 7   | 8408-820 |     | 4   | Screw, Cap                     | 21  | 0409-066 |     | 1   | Solenoid                        |
| 8   | 0441-403 |     | 1   | Roller, Winch (inc. 9)         | 22  | 8476-625 |     | 2   | Screw, Machine                  |
| 9   | 0411-474 |     | 1   | ● Decal, Warning - Pinch Point | 23  | 0409-087 |     | 1   | Switch, Control                 |
| 10  | 8468-820 |     | 2   | Screw, Machine                 | 24  | 0409-034 |     | 1   | Retainer, Control Switch        |
| 11  | 1441-781 |     | 1   | Strap                          | 25  | 8464-560 |     | 2   | Screw, Machine                  |
| 12  | 1441-833 |     | 1   | Hook, Winch                    | 26  | 0423-593 |     | 1   | Washer                          |
| 13  | 1441-834 |     | 1   | Pin                            | 27  | 0423-382 |     | 1   | Screw, Self-Tapping             |
| 14  | 0623-175 |     | 1   | Pin, Cotter                    | 28  | 5506-053 | X   | 1   | Cover, Switch                   |



## TAILLIGHT ASSEMBLY

0739-667

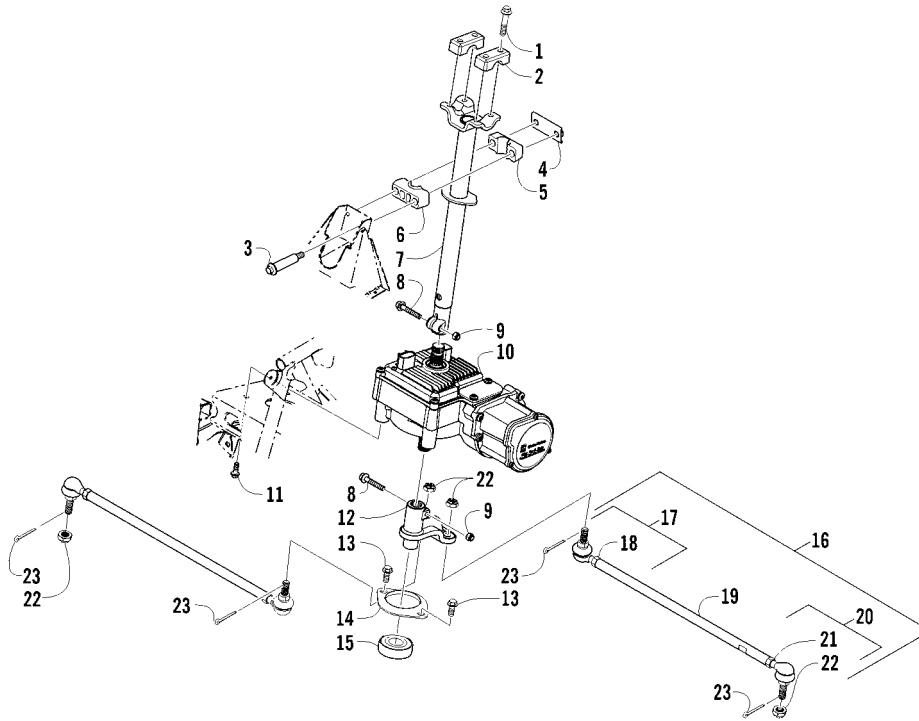
| Ref | Part No. | New Qty | Description                   | Ref | Part No. | New Qty | Description                 |
|-----|----------|---------|-------------------------------|-----|----------|---------|-----------------------------|
| 1   | 0509-022 | 1       | Taillight Assembly (inc. 2-4) | 4   | 0409-057 | 1       | ● Socket, Taillight         |
| 2   | 0509-025 | 1       | ● Housing, Taillight          | 5   | 0623-301 | 2       | Screw, Self-Tapping         |
| 3   | 0409-056 | 1       | ● Bulb, Taillight             | 6   | 8053-212 | 2       | Washer, External Tooth Lock |



## SEAT ASSEMBLY

0744-435

| Ref | Part No. | New Qty | Description                        | Ref | Part No. | New Qty | Description             |
|-----|----------|---------|------------------------------------|-----|----------|---------|-------------------------|
| 1   | 4506-557 | 1       | Seat Assembly (inc. 2-9)           | 6   | 0406-877 | 4       | ●● Bumper, Seat - Front |
| 2   | 1506-209 | 1       | ● Cover, Seat                      | 7   | 0624-263 | AR      | ● Staple                |
| 3   | 0517-119 | 1       | ● Foam, Seat                       | 8   | 1406-592 | 1       | ● Spring, Seat Latch    |
| 4   | 2416-826 | 1       | ● Base, Seat - Assembly (inc. 5-6) | 9   | 1506-156 | 1       | ● Latch, Seat           |
| 5   | 0406-879 | 2       | ●● Bumper, Seat - Rear             | 10  | 0441-587 | 1       | Wrench, Spanner         |

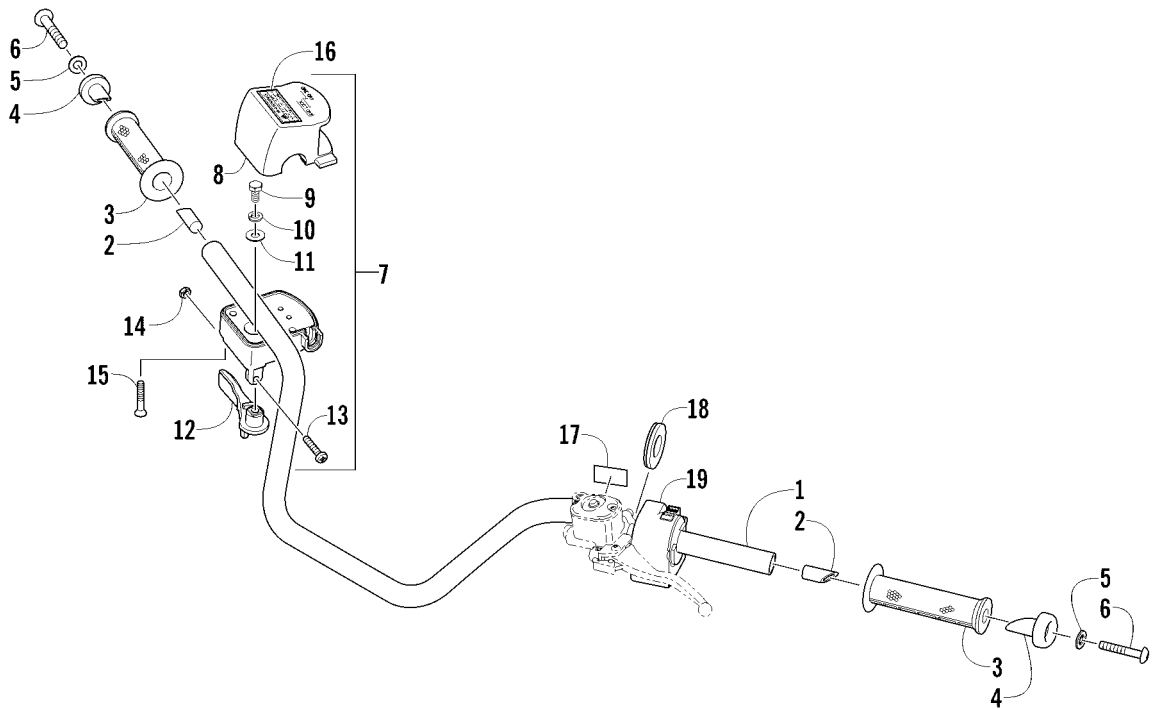


## STEERING ASSEMBLY

0745-117

| Ref | Part No. | New Qty | Description                         | Ref | Part No. | New Qty | Description  |
|-----|----------|---------|-------------------------------------|-----|----------|---------|--|
| 1   | 8408-835 | 4       | Screw, Cap                          | 14  | 0602-233 | 1       | Flange, Bearing                                    |
| 2   | 0405-035 | 2       | Cap, Steering Adjuster              | 15  | 0405-052 | 1       | Bearing w/Inverted Oil Seal                        |
| 3   | 0423-505 | 2       | Screw, Shoulder                     | 16  | 0505-499 | 2       | Tie Rod - Assembly (inc. 17-21)                    |
| 4   | 0505-484 | 1       | Cap, Housing                        | 17  | 0505-511 | 2       | ● End, Tie Rod - Left-Hand Thread - Kit (inc. 18)  |
| 5   | 0405-260 | 1       | Housing, Upper                      | 18  | 0423-013 | 2       | ●● Nut - Left-Hand Thread                          |
| 6   | 0405-259 | 1       | Housing, Lower                      | 19  | 0405-281 | 2       | ● Tie Rod  |
| 7   | 0505-642 | 1       | Post, Steering                      | 20  | 0505-510 | 2       | ● End, Tie Rod - Right-Hand Thread - Kit (inc. 21) |
| 8   | 8020-045 | 2       | Screw, Cap                          | 21  | 8420-002 | 2       | ●● Nut - Right-Hand Thread                         |
| 9   | 8040-366 | 2       | Nut, Lock                           | 22  | 0423-157 | 4       | Nut, Lock  |
| 10  | 0505-806 | X 1     | Assembly, Electronic Power Steering | 23  | 0623-175 | 4       | Pin, Cotter  |
| 11  | 8409-020 | 4       | Screw, Cap                          |     |          |         |  |
| 12  | 0505-664 | 1       | Arm, Steering                       |     |          |         |  |
| 13  | 8408-816 | 2       | Screw, Cap                          |     |          |         |  |

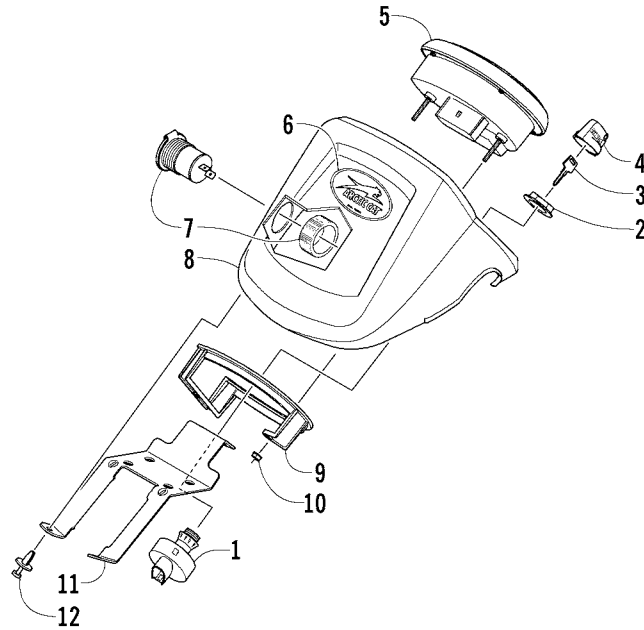




## HANDLEBAR ASSEMBLY

0745-894

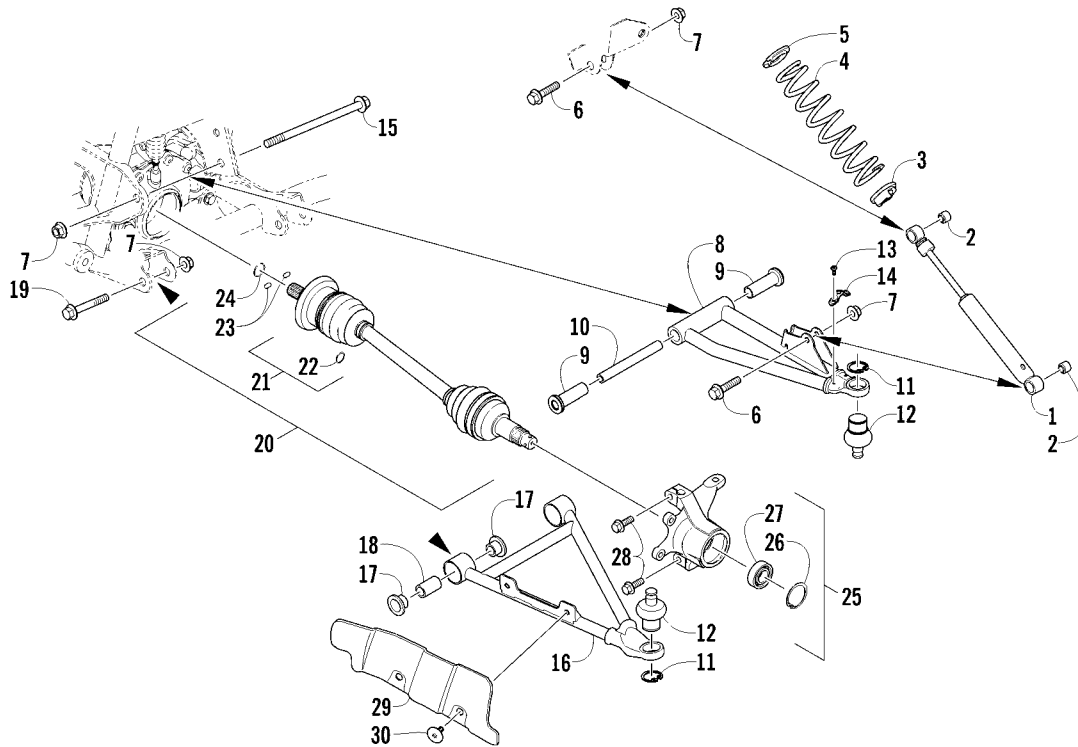
| Ref | Part No. | New Qty | Description                           | Ref | Part No. | New Qty | Description                        |
|-----|----------|---------|---------------------------------------|-----|----------|---------|------------------------------------|
| 1   | 0505-418 | 1       | Handlebar                             | 11  | 3003-030 | 1       | ● Washer                           |
| 2   | 0405-218 | 2       | Plug, Handlebar                       | 12  | 0409-133 | 1       | ● Lever, Throttle                  |
| 3   | 0405-147 | 2       | Grip, Handlebar                       | 13  | 3423-014 | 1       | ● Screw, Machine                   |
| 4   | 0405-149 | 2       | End Cap, Handlebar                    | 14  | 3423-327 | 1       | ● Nut                              |
| 5   | 8050-247 | 2       | Washer                                | 15  | 3423-199 | 2       | ● Screw, Machine                   |
| 6   | 8477-845 | 2       | Screw, Machine                        | 16  | 0411-966 | 1       | Decal, Warning - Differential Lock |
| 7   | 0509-054 | 1       | Case, Throttle - Assembly (inc. 8-15) | 17  | 1411-865 | 1       | Decal, Warning - Brake Lever Lock  |
| 8   | 0409-141 | 1       | ● Cover, Throttle Case w/Switch       | 18  | 3409-019 | 1       | Cover, Switch Housing              |
| 9   | 3007-392 | 1       | ● Screw, Cap                          | 19  | 0509-014 | 1       | Switch, Control - Assembly         |
| 10  | 3004-447 | 1       | ● Washer, Lock                        |     |          |         |                                    |



## INSTRUMENT POD ASSEMBLY

0746-654

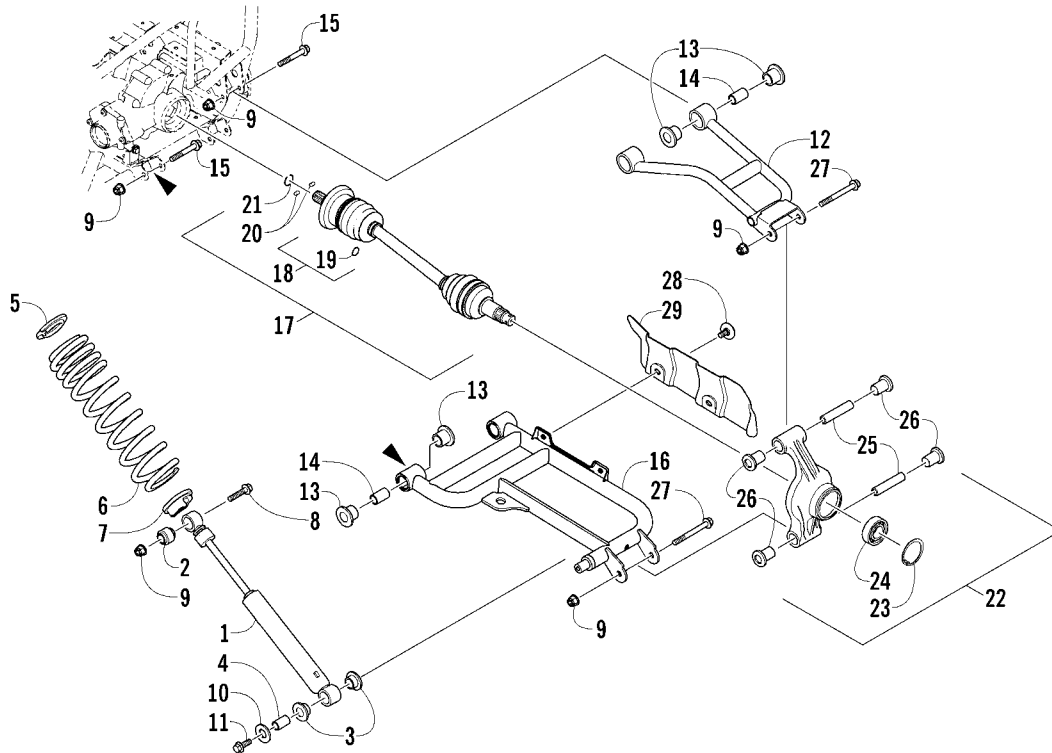
| Ref | Part No. | New | Qty | Description                                 | Ref | Part No. | New | Qty | Description                                      |
|-----|----------|-----|-----|---|-----|----------|-----|-----|--|
| 1   | 0430-090 |     | 1   | Switch, Ignition - Assembly (inc. 2-4)      | 8   | 0505-590 |     | 1   | Instrument Pod - Black (1PUSI/1POSI/1PUSV/1POSV) |
| 2   | 0430-050 |     | 1   | ● Nut, Retaining                            |     |          |     |     |  |
| 3   | 0430-042 |     | 1   | ● Key, Ignition (Y Series - Left-Side Cut)  |     | 0505-591 |     | 1   | Instrument Pod - Black (1PUSH/1POSH)             |
|     | 0430-043 |     | 1   | ● Key, Ignition (Z Series - Right-Side Cut) |     |          |     |     |  |
| 4   | 0430-054 |     | 1   | ● Cover, Key                                | 9   | 0420-065 |     | 1   | Bracket, Retaining                               |
| 5   | 0520-195 | X   | 1   | Gauge, LCD                                  | 10  | 0423-493 |     | 2   | Nut w/Washer                                     |
| 6   | 9611-751 | X   | 1   | Decal, "Arctic Cat"                         | 11  | 2506-470 |     | 1   | Bracket, Mounting - Instrument Pod               |
| 7   | 0641-897 |     | 1   | Outlet, Accessory - 12V                     | 12  | 0423-535 |     | 2   | Rivet, Reinstallable                             |



## FRONT SUSPENSION ASSEMBLY

0745-247

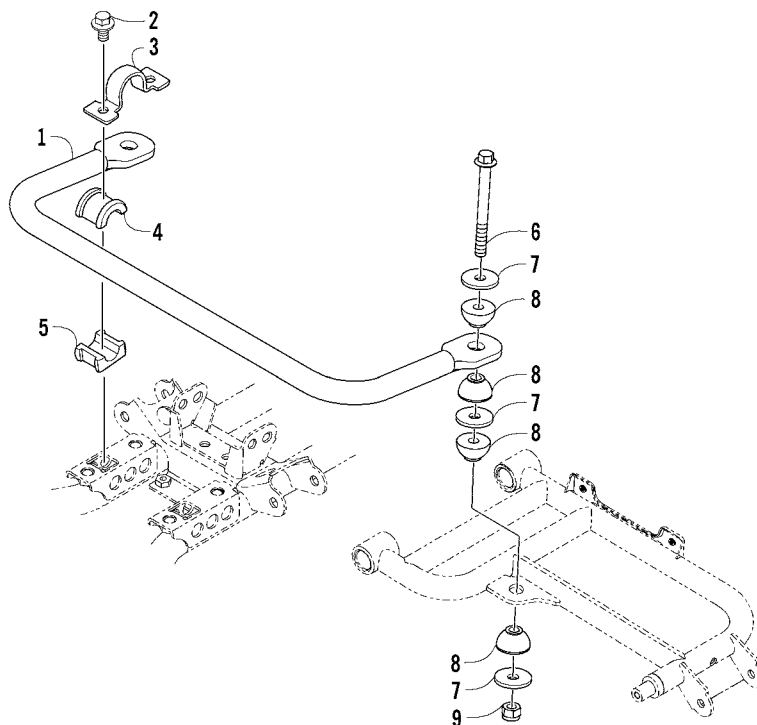
| Ref | Part No. | New | Qty | Description  | Ref | Part No. | New | Qty | Description                               |
|-----|----------|-----|-----|--|-----|----------|-----|-----|---|
| 1   | 0403-209 |     | 2   | Shock Absorber (inc. 2)                                      | 17  | 0403-208 |     | 8   | ● Bushing                                 |
| 2   | 0403-182 |     | 4   | ● Bushing  | 18  | 0403-214 |     | 4   | ● Axle                                    |
| 3   | 0403-288 | X   | 2   | Cam, Spring Adjuster   | 19  | 8409-075 |     | 4   | Screw, Cap                                |
| 4   | 0503-509 | X   | 2   | Spring, Suspension - White (1PUSI/<br>1POSI/1PUSV/1POSV)     | 20  | 1502-800 |     | 1   | Axle, Drive - Right (inc. 21-24)          |
|     | 0503-510 | X   | 2   | Spring, Suspension - Black (1PUSH/<br>1POSH)                 |     | 1502-799 |     | 1   | Axle, Drive - Locking - Left (inc. 21-24) |
| 5   | 1603-889 |     | 2   | Retainer, Spring   | 21  | 1436-419 |     | 2   | ● Repair Kit, Boot (inc. 22)              |
| 6   | 8409-040 |     | 4   | Screw, Cap   | 22  | 1441-988 |     | 2   | ●● Clip, Retaining                        |
| 7   | 0423-744 |     | 10  | Nut, Lock  | 23  | 1402-885 |     | 4   | ● Pin, Detent                             |
| 8   | 0503-416 |     | 1   | A-Arm, Upper Right - Black (inc. 9-12)                       | 24  | 1402-889 |     | 2   | ● Clip, Retaining                         |
|     | 0503-417 |     | 1   | A-Arm, Upper Left - Black (inc. 9-12)                        | 25  | 0505-576 |     | 1   | Knuckle - Assembly - Right (inc. 26-27)   |
| 9   | 0403-207 |     | 4   | ● Bushing  |     | 0505-577 |     | 1   | Knuckle - Assembly - Left (inc. 26-27)    |
| 10  | 0403-080 |     | 2   | ● Axle   | 26  | 0423-423 |     | 2   | ● Ring, Retaining                         |
| 11  | 0423-009 |     | 4   | ● Ring, Retaining  | 27  | 1402-809 |     | 2   | ● Bearing                                 |
| 12  | 0405-483 |     | 4   | ● Ball Joint   | 28  | 0423-998 |     | 4   | Screw, Shoulder                           |
| 13  | 0423-946 |     | 4   | Screw, Self-Tapping  | 29  | 1406-034 |     | 1   | Guard, Boot - Right - Black               |
| 14  | 1502-594 |     | 2   | Clamp, Routing   |     | 1406-035 |     | 1   | Guard, Boot - Left - Black                |
| 15  | 0423-334 |     | 2   | Screw, Cap   | 30  | 0423-545 |     | 4   | Screw, Shoulder                           |
| 16  | 0503-376 |     | 1   | A-Arm, Lower Right - Black (inc. 17-18<br>and two No. 11-12) |     |          |     |     |   |
|     | 0503-377 |     | 1   | A-Arm, Lower Left - Black (inc. 17-18<br>and two No. 11-12)  |     |          |     |     |   |



## REAR SUSPENSION ASSEMBLY

0746-655

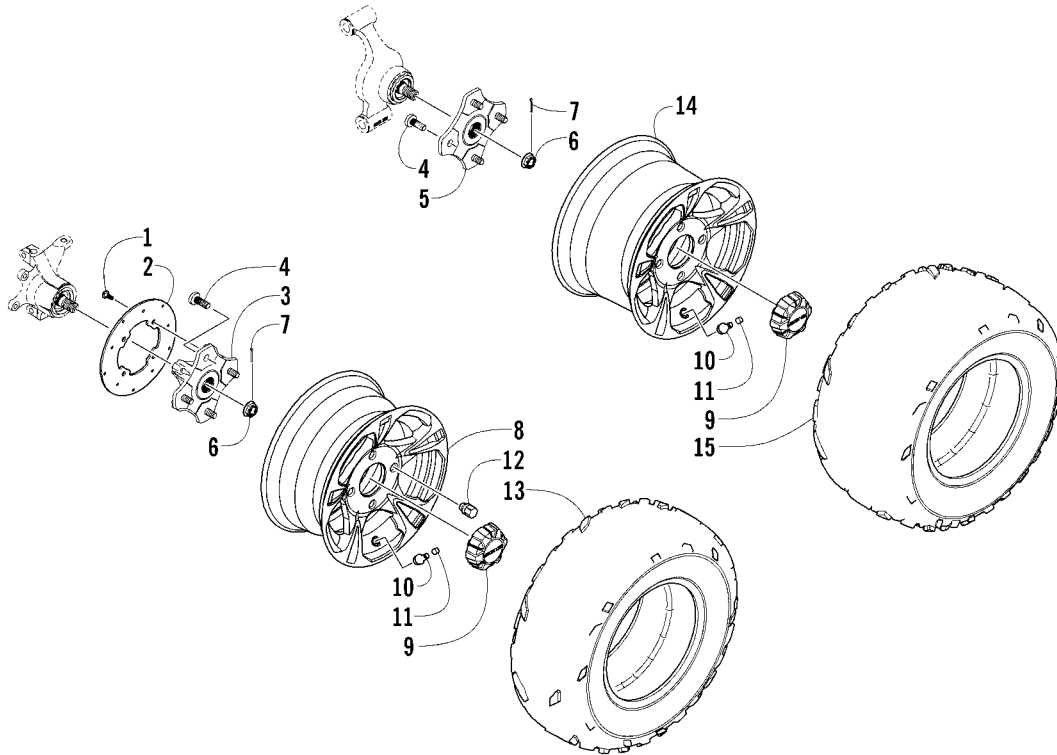
| Ref | Part No. | New | Qty | Description  | Ref | Part No. | New | Qty | Description                                    |
|-----|----------|-----|-----|--|-----|----------|-----|-----|--|
| 1   | 0404-274 | X   | 2   | Shock Absorber (inc. 2-4)                            | 15  | 8409-075 |     | 8   | Screw, Cap                                     |
| 2   | 0403-182 |     | 2   | ● Bushing  | 16  | 0504-718 | X   | 1   | A-Arm, Rear - Lower Right - Black (inc. 13-14) |
| 3   | 0603-955 |     | 4   | ● Bushing  |     | 0504-719 | X   | 1   | A-Arm, Rear - Lower Left - Black (inc. 13-14)  |
| 4   | 1603-219 |     | 2   | ● Sleeve   | 17  | 1502-798 |     | 2   | Axle, Drive (inc. 18-21)                       |
| 5   | 1603-889 |     | 2   | Retainer, Spring                                     | 18  | 1436-419 |     | 2   | ● Repair Kit, Boot (inc. 19)                   |
| 6   | 0504-750 | X   | 2   | Spring, Suspension - White (1PUSI/1POSI/1PUSV/1POSV) | 19  | 1441-988 |     | 2   | ● Clip, Retaining                              |
|     | 0504-751 | X   | 2   | Spring, Suspension - Black (1PUSH/1POSH)             | 20  | 1402-884 |     | 4   | ● Pin, Detent                                  |
| 7   | 0404-057 |     | 2   | Cam, Spring Adjuster                                 | 21  | 1402-890 |     | 2   | ● Clip, Retaining                              |
| 8   | 8409-040 |     | 1   | Screw, Cap - Right                                   | 22  | 0504-548 |     | 1   | Knuckle, Right - Assembly (inc. 23-26)         |
|     | 8409-050 |     | 1   | Screw, Cap - Left                                    |     | 0504-549 |     | 1   | Knuckle, Left - Assembly (inc. 23-26)          |
| 9   | 0423-744 |     | 14  | Nut, Lock  | 23  | 0423-423 |     | 2   | ● Ring, Retaining                              |
| 10  | 0423-087 |     | 2   | Washer   | 24  | 1402-809 |     | 2   | ● Bearing                                      |
| 11  | 8408-820 |     | 2   | Screw, Cap   | 25  | 0403-213 |     | 4   | ● Axle   |
| 12  | 0504-582 |     | 1   | A-Arm, Rear - Upper Right - Black (inc. 13-14)       | 26  | 0403-206 |     | 8   | ● Bushing                                      |
|     | 0504-583 |     | 1   | A-Arm, Rear - Upper Left - Black (inc. 13-14)        | 27  | 8409-000 |     | 4   | Screw, Cap                                     |
| 13  | 0403-208 |     | 16  | ● Bushing  | 28  | 0423-545 |     | 4   | Screw, Shoulder                                |
| 14  | 0403-214 |     | 8   | ● Axle   | 29  | 1406-068 |     | 1   | Guard, Boot - Rear - Right - Black             |
|     |          |     |     |  |     | 1406-069 |     | 1   | Guard, Boot - Rear - Left - Black              |



## SWAYBAR ASSEMBLY

0746-656

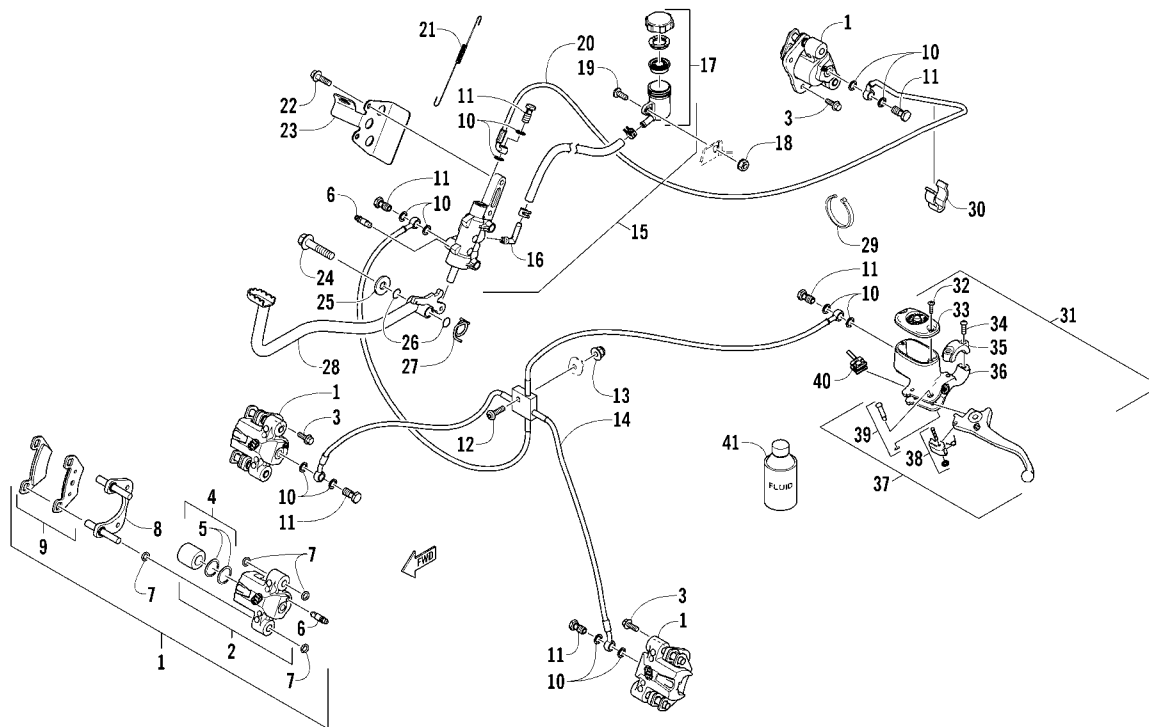
| Ref | Part No. | New | Qty | Description              | Ref | Part No. | New | Qty | Description |
|-----|----------|-----|-----|--------------------------|-----|----------|-----|-----|-------------|
| 1   | 0504-709 | X   | 1   | Swaybar                  | 6   | 8409-000 |     | 2   | Screw, Cap  |
| 2   | 8409-016 |     | 4   | Screw, Cap               | 7   | 0423-073 |     | 6   | Washer      |
| 3   | 0404-135 |     | 2   | Clamp, Retaining         | 8   | 1402-434 |     | 8   | Bushing     |
| 4   | 0404-282 | X   | 2   | Bushing, Swaybar - Upper | 9   | 8422-002 |     | 2   | Nut, Lock   |
| 5   | 0404-283 | X   | 2   | Bushing, Swaybar - Lower |     |          |     |     |             |



## WHEEL AND TIRE ASSEMBLY

0746-660

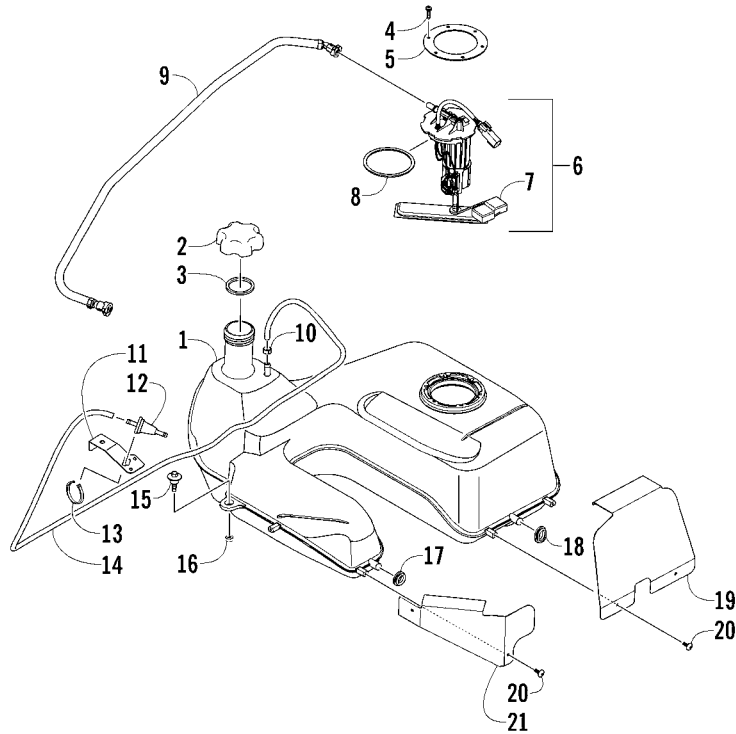
| Ref | Part No. | New | Qty | Description                        | Ref | Part No. | New | Qty | Description                       |
|-----|----------|-----|-----|------------------------------------|-----|----------|-----|-----|-----------------------------------|
| 1   | 0423-557 |     | 12  | Screw, Shoulder                    | 8   | 2402-068 | X   | 2   | Wheel - Front - Aluminum (inc. 9) |
| 2   | 2402-002 |     | 3   | Disc, Brake                        | 9   | 2402-084 | X   | 4   | ● Cap, Wheel                      |
| 3   | 1502-462 |     | 2   | Hub, Wheel - Front (inc. 4)        | 10  | 0402-064 |     | 4   | Stem, Valve (inc. 11)             |
| 4   | 0402-974 |     | 16  | ● Stud                             | 11  | 0402-140 |     | 4   | ● Cap, Valve Stem                 |
| 5   | 1502-462 |     | 1   | Hub, Wheel - Rear - Right (inc. 4) | 12  | 0423-618 |     | 16  | Nut, Lug - Chrome                 |
|     | 1502-464 |     | 1   | Hub, Wheel - Rear - Left (inc. 4)  | 13  | 2402-096 | X   | 2   | Tire - Front                      |
| 6   | 0423-607 |     | 4   | Nut, Castle                        | 14  | 2402-069 | X   | 2   | Wheel - Rear - Aluminum (inc. 9)  |
| 7   | 0423-407 |     | 4   | Pin, Cotter                        | 15  | 2402-097 | X   | 2   | Tire - Rear                       |



## HYDRAULIC BRAKE ASSEMBLY

0747-109

| Ref | Part No. | New Qty | Description  | Ref | Part No. | New Qty | Description                         |
|-----|----------|---------|--|-----|----------|---------|-------------------------------------|
| 1   | 1436-422 | 1       | Caliper, Brake - Right Front (inc. 2-9)                | 18  | 0623-038 | 1       | Nut w/Washer                        |
|     | 1436-423 | 1       | Caliper, Brake - Left Front (inc. 2-9)                 | 19  | 8476-616 | 1       | Screw, Machine                      |
|     | 1436-423 | 1       | Caliper, Brake - Rear (inc. 2-9)                       | 20  | 1502-593 | 1       | Hose, Brakeline                     |
| 2   | 1436-160 | 1       | ● Housing, Caliper - Assembly - Right Front (inc. 3-6) | 21  | 0502-785 | 1       | Spring, Brake Switch                |
|     | 1436-161 | 1       | ● Housing, Caliper - Assembly - Left Front (inc. 3-6)  | 22  | 8408-625 | 2       | Screw, Cap                          |
|     | 1436-161 | 1       | ● Housing, Caliper - Assembly - Rear (inc. 3-6)        | 23  | 1502-179 | 1       | Bracket, Switch                     |
| 3   | 8408-821 | 6       | ●● Screw, Cap  | 24  | 8408-816 | 1       | Screw, Cap                          |
| 4   | 0502-606 | 3       | ●●● Piston/Seal Set (inc. 5)                           | 25  | 8050-252 | 1       | Washer                              |
| 5   | 0502-607 | 3       | ●●● Seal Set   | 26  | 1602-213 | 2       | O-Ring                              |
| 6   | 0502-609 | 4       | ●● Valve, Bleed  | 27  | 0502-807 | 1       | Spring, Brake Lever                 |
| 7   | 0502-608 | 3       | ● O-Ring, Guide - Set                                  | 28  | 1502-063 | 1       | Lever, Brake                        |
| 8   | 0502-605 | 3       | ● Bracket Assembly                                     | 29  | 0123-788 | AR      | Tie, Cable - 8 in.                  |
| 9   | 1502-694 | 3       | ● Pad, Brake - Set                                     | 30  | 1502-115 | 2       | Clip, Brakeline Hose                |
| 10  | 0423-178 | 12      | Washer, Crush  | 31  | 1502-902 | 1       | Brake Assembly (inc. 32-40)         |
| 11  | 0423-413 | 6       | Bolt, Banjo-Fitting                                    | 32  | 0502-566 | 1       | ● Screw, Machine - Kit              |
| 12  | 8476-625 | 1       | Screw, Machine   | 33  | 0502-868 | 1       | ● Cover, Reservoir                  |
| 13  | 8427-602 | 1       | Nut, Lock  | 34  | 0502-568 | 1       | ● Screw, Machine - Kit              |
| 14  | 1502-015 | 1       | Hose, Brakeline - Assembly                             | 35  | 0502-869 | 1       | ● Clamp, Master Cylinder            |
| 15  | 1502-293 | 1       | Brake Assembly (inc. 16-17)                            | 36  | 0502-704 | 1       | ● Master Cylinder Assembly          |
| 16  | 1502-296 | 1       | ● Adapter, Hose  | 37  | 1502-904 | 1       | ● Lever Assembly - Kit (inc. 38-39) |
| 17  | 1502-155 | 1       | ● Reservoir, Brake w/Clamp                             | 38  | 1502-905 | 1       | ●● Lock, Brake Lever - Kit          |
|     |          |         |  | 39  | 0502-580 | 1       | ●● Lever Pin - Kit                  |
|     |          |         |  | 40  | 0502-564 | 1       | ● Switch, Brake                     |
|     |          |         |  | 41  | 5639-848 | X AR    | Fluid, Brake - 12 oz                |

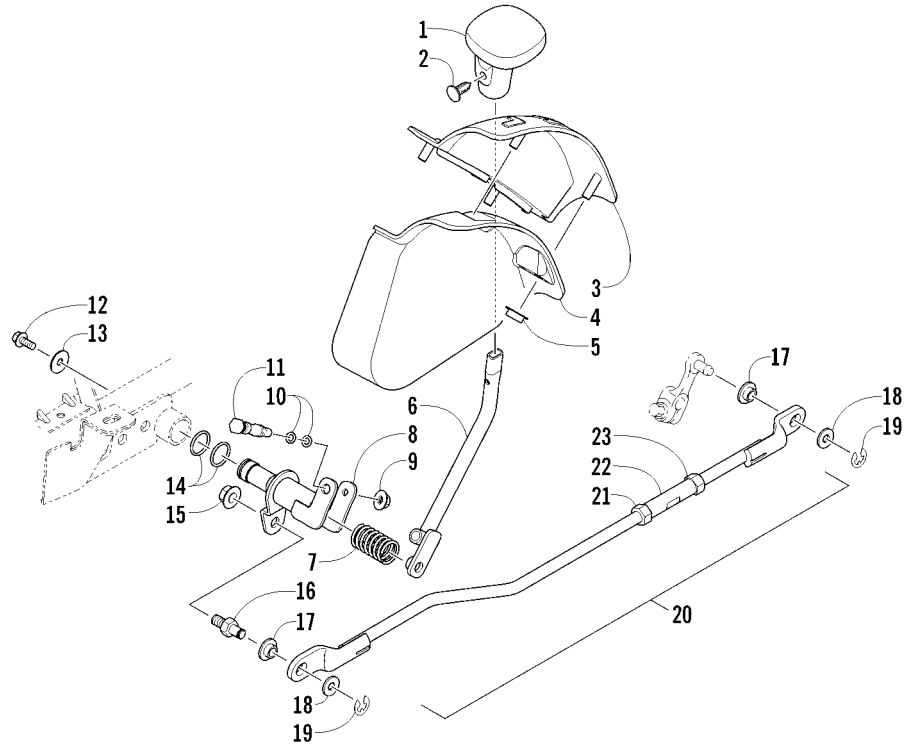


## GAS TANK ASSEMBLY

0747-102

| Ref | Part No. | New | Qty | Description                      | Ref | Part No. | New | Qty | Description                     |
|-----|----------|-----|-----|----------------------------------|-----|----------|-----|-----|---------------------------------|
| 1   | 0570-307 |     | 1   | Tank, Gas - Assembly (inc. 2-5)  | 12  | 0470-988 | X   | 1   | Filter, In-Line                 |
| 2   | 0470-438 |     | 1   | ● Cap, Gas Tank (inc. 3)         | 13  | 0123-788 |     | AR  | Tie, Cable - 8 in.              |
| 3   | 0109-733 |     | 1   | ●● Gasket, Gas Tank Cap          | 14  | 0410-070 |     | AR  | Hose, Gasline - 25 ft           |
| 4   | 0423-898 |     | 6   | ● Screw, Self-Tapping            | 15  | 0423-732 |     | 2   | Screw, Shoulder                 |
| 5   | 2670-042 |     | 1   | ● Plate, Retaining               | 16  | 0623-038 |     | 1   | Nut w/Washer                    |
| 6   | 0570-322 |     | 1   | Pump, Fuel - Assembly (inc. 7-8) | 17  | 0423-460 |     | 1   | Grommet                         |
| 7   | 2670-235 |     | 1   | ● Float                          | 18  | 0423-806 |     | 1   | Grommet                         |
| 8   | 0470-838 |     | 1   | ● Seal                           | 19  | 0470-710 |     | 1   | Shield, Heat - Gas Tank - Rear  |
| 9   | 0570-317 |     | 1   | Hose, Gasline - Assembly         | 20  | 0623-797 |     | 4   | Screw, Self-Tapping             |
| 10  | 0423-688 |     | AR  | Clamp, Hose                      | 21  | 0470-709 |     | 1   | Shield, Heat - Gas Tank - Front |
| 11  | 0470-980 | X   | 1   | Bracket, Filter Mounting         |     |          |     |     |                                 |

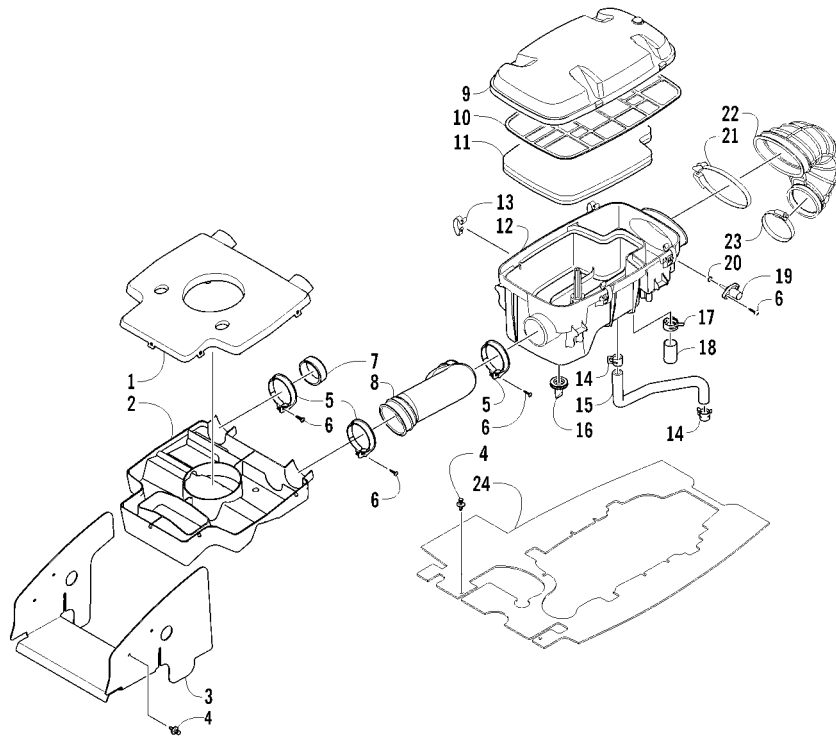




## SHIFT LEVER ASSEMBLY

0745-254

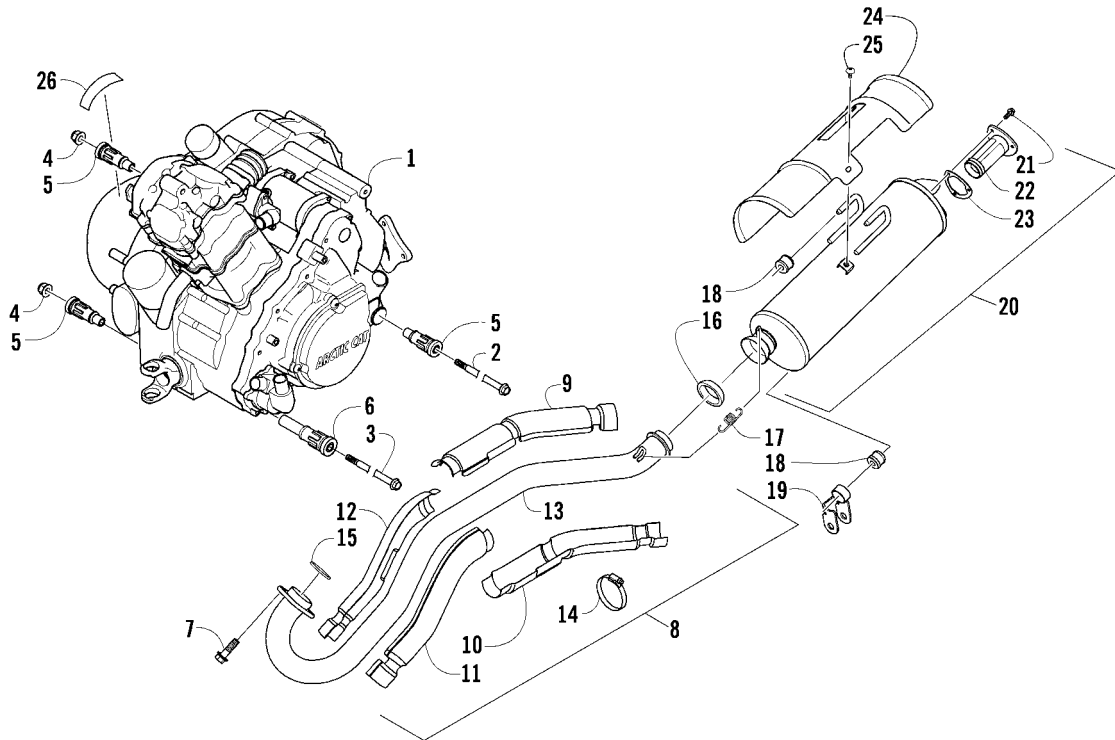
| Ref | Part No. | New Qty | Description         | Ref | Part No. | New Qty | Description                            |
|-----|----------|---------|---------------------|-----|----------|---------|--|
| 1   | 0402-843 | 1       | Knob, Shift         | 13  | 0423-087 | 1       | Washer                                 |
| 2   | 0423-345 | 1       | Clip, Retaining     | 14  | 0423-299 | 2       | O-Ring                                 |
| 3   | 1402-562 | 1       | Plate, Shift        | 15  | 8424-802 | 1       | Nut                                    |
| 4   | 2406-348 | 1       | Shield, Shift Plate | 16  | 1402-621 | 1       | Pin, Mounting                          |
| 5   | 0423-357 | 4       | Nut, Stamped        | 17  | 0423-091 | 2       | Bushing                                |
| 6   | 1502-977 | X 1     | Lever, Shift        | 18  | 0623-094 | 2       | Washer                                 |
| 7   | 0402-678 | 1       | Spring, Shift Lever | 19  | 0423-169 | 2       | E-Ring                                 |
| 8   | 1502-332 | 1       | Actuator, Shift     | 20  | 1502-622 | 1       | Linkage, Shift - Assembly (inc. 21-23) |
| 9   | 8424-602 | 1       | Nut                 | 21  | 0123-917 | 1       | ● Nut, Hex - Left-Hand Thread          |
| 10  | 0423-182 | 2       | O-Ring              | 22  | 1402-619 | 1       | ● Coupler                              |
| 11  | 0402-675 | 1       | Axle, Pivot         | 23  | 0623-294 | 1       | ● Nut, Hex - Right-Hand Thread         |
| 12  | 8408-812 | 1       | Screw, Cap          |     |          |         |  |



## AIR INTAKE ASSEMBLY

0744-541

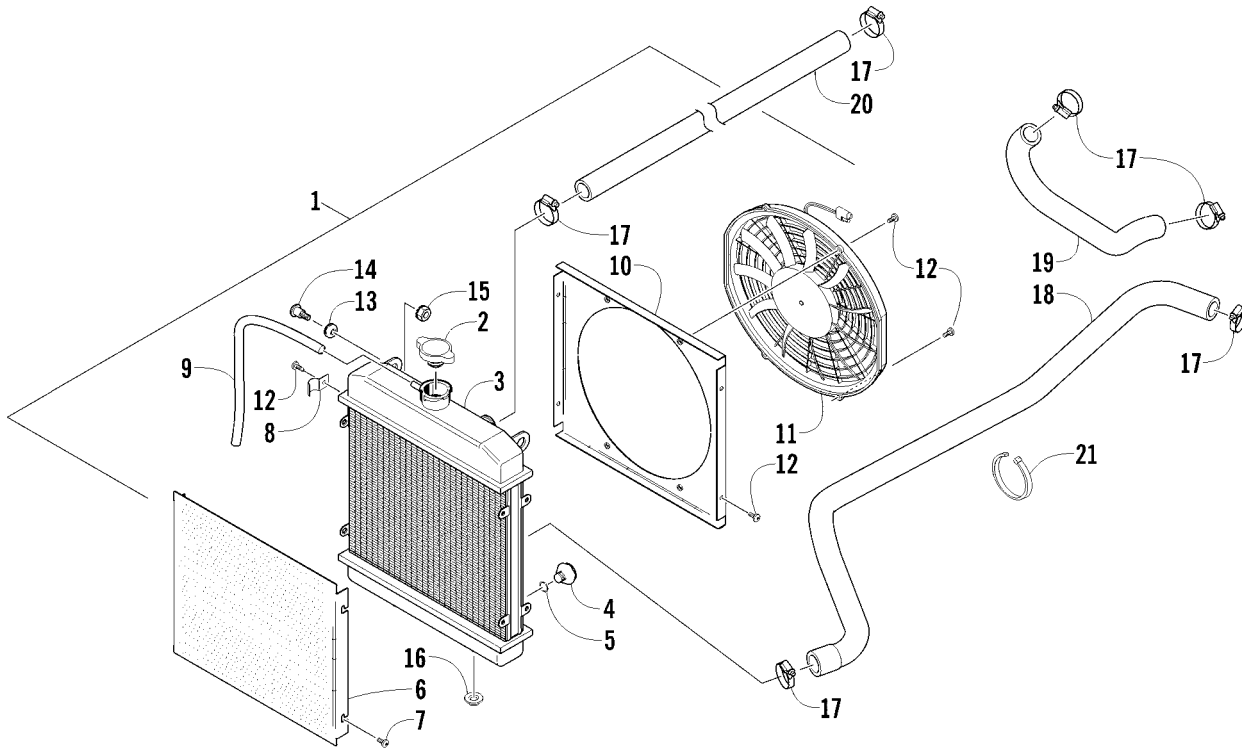
| Ref | Part No. | New Qty | Description                | Ref | Part No. | New Qty | Description                       |
|-----|----------|---------|----------------------------|-----|----------|---------|-----------------------------------|
| 1   | 0413-091 | 1       | Diverter, Air - Top        | 13  | 0423-455 | 4       | Clip, Spring                      |
| 2   | 0413-093 | 1       | Diverter, Air - Bottom     | 14  | 1623-281 | 2       | Clamp, Hose                       |
| 3   | 2406-013 | 1       | Shroud, Splash             | 15  | 0410-172 | 1       | Hose, Vent                        |
| 4   | 0623-362 | 4       | Rivet, Reinstallable       | 16  | 0470-442 | 1       | Valve, Drain                      |
| 5   | 0423-551 | 3       | Clamp                      | 17  | 1623-287 | 1       | Clamp                             |
| 6   | 0423-342 | 5       | Screw, Self-Tapping        | 18  | 0423-766 | 1       | Cap, Drain                        |
| 7   | 0413-096 | 1       | Cap, Air Intake - Diverter | 19  | 0430-055 | 1       | Sensor, Air Temperature (inc. 20) |
| 8   | 0470-529 | 1       | Duct, Air Intake - Engine  | 20  | 5507-224 | 1       | ● O-Ring                          |
| 9   | 0470-877 | 1       | Cover, Intake              | 21  | 0423-554 | 1       | Clamp                             |
| 10  | 0470-560 | 1       | Screen, Air Filter         | 22  | 0470-511 | 1       | Boot                              |
| 11  | 0470-558 | 1       | Filter, Air                | 23  | 0423-019 | 1       | Clamp                             |
| 12  | 0470-728 | 1       | Housing, Intake            | 24  | 2416-150 | 1       | Panel, Shield                     |



## ENGINE AND EXHAUST

0743-292

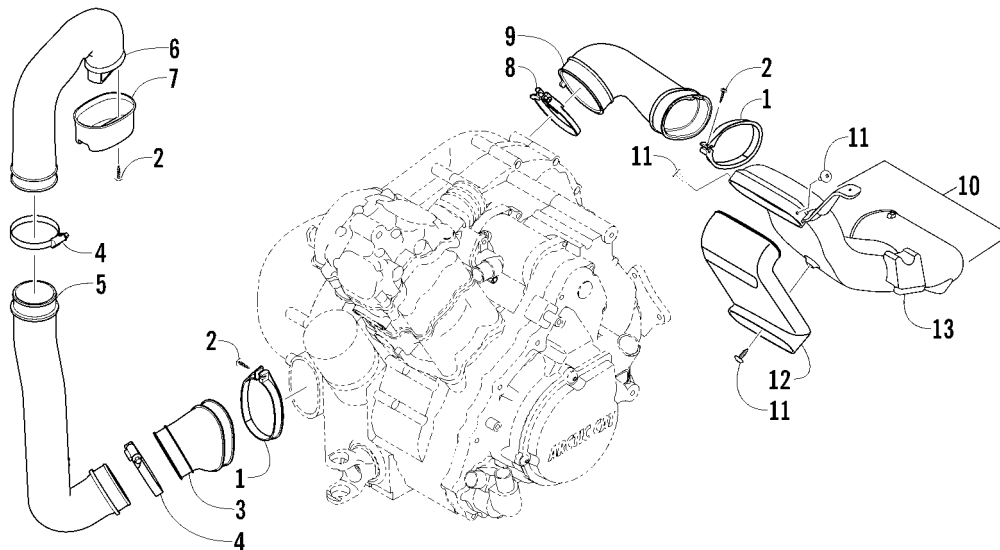
| Ref | Part No. | New | Qty | Description                            | Ref | Part No. | New | Qty | Description                     |
|-----|----------|-----|-----|--|-----|----------|-----|-----|---------------------------------|
| 1   | 0800-141 | X   | 1   | Engine, A550H                          | 14  | 0423-317 |     | 4   | ● Clamp                         |
| 2   | 0423-451 |     | 1   | Screw, Cap                             | 15  | 0412-338 |     | 1   | Gasket, Exhaust                 |
| 3   | 0423-405 |     | 1   | Screw, Cap                             | 16  | 0412-375 |     | 1   | Seal, Exhaust                   |
| 4   | 8428-002 |     | 2   | Nut, Lock                              | 17  | 0612-668 |     | 2   | Spring, Extension               |
| 5   | 0801-129 |     | 3   | Mount, Rubber - Engine                 | 18  | 0412-577 |     | 3   | Bushing                         |
| 6   | 0801-122 |     | 1   | Mount, Rubber - Engine                 | 19  | 1506-732 |     | 1   | Channel, Muffler Support        |
| 7   | 8408-820 |     | 2   | Screw, Cap                             | 20  | 0512-355 |     | 1   | Muffler - Assembly (inc. 21-23) |
| 8   | 0512-345 |     | 1   | Pipe, Exhaust - Assembly (inc. 9-14)   | 21  | 8408-616 |     | 3   | ● Screw, Cap                    |
| 9   | 0412-350 |     | 1   | ● Shield, Exhaust Pipe - Outer - Rear  | 22  | 0512-219 |     | 1   | ● Arrester, Spark - Assembly    |
| 10  | 0412-339 |     | 1   | ● Shield, Exhaust Pipe - Inner - Rear  | 23  | 0412-313 |     | 1   | ● Gasket, Spark Arrester        |
| 11  | 0412-349 |     | 1   | ● Shield, Exhaust Pipe - Inner - Front | 24  | 0412-373 |     | 1   | Cover, Muffler                  |
| 12  | 0412-348 |     | 1   | ● Shield, Exhaust Pipe - Outer - Front | 25  | 8477-610 |     | 3   | Screw, Machine                  |
| 13  | 0512-344 |     | 1   | ● Pipe, Exhaust                        | 26  | 0411-426 |     | 1   | Decal, Warning - Clutch Cover   |



## COOLING ASSEMBLY

0745-858

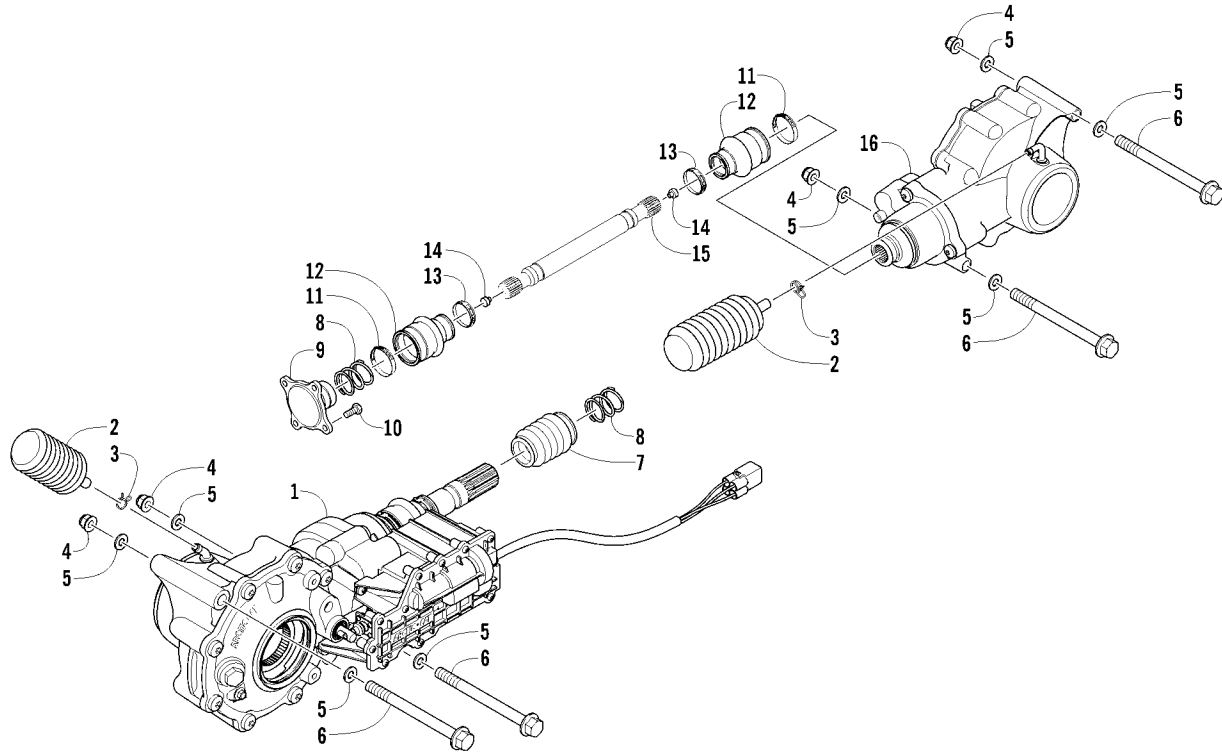
| Ref | Part No. | New Qty | Description                   | Ref | Part No. | New Qty | Description               |
|-----|----------|---------|-------------------------------|-----|----------|---------|---------------------------|
| 1   | 0413-256 | 1       | Radiator Assembly (inc. 2-13) | 11  | 0413-123 | 1       | ● Fan, Cooling            |
| 2   | 0413-255 | 1       | ● Cap                         | 12  | 0623-378 | 8       | ● Screw, Self-Tapping     |
| 3   | 0413-205 | 1       | ● Radiator                    | 13  | 0423-030 | 2       | ● Grommet                 |
| 4   | 0413-195 | 1       | ● Plug, Drain                 | 14  | 0423-484 | 2       | Screw, Shoulder           |
| 5   | 1602-213 | 1       | ● O-Ring                      | 15  | 0623-038 | 2       | Nut w/Washer              |
| 6   | 0413-007 | 1       | ● Screen                      | 16  | 0423-028 | 2       | Bushing, Stem             |
| 7   | 8475-512 | 4       | ● Screw, Machine              | 17  | 0423-496 | 6       | Clamp, Hose               |
| 8   | 0423-351 | 1       | ● Clamp, Wire                 | 18  | 0410-229 | 1       | Hose, Coolant - Lower     |
| 9   | 0610-016 | AR      | ● Hose - 25 ft                | 19  | 0410-022 | 1       | Hose, Coolant - Crossover |
|     | 0610-015 | AR      | ● Hose - 100 ft               | 20  | 0410-002 | 1       | Hose, Coolant - Upper     |
| 10  | 0413-203 | 1       | ● Shroud, Fan                 | 21  | 0123-903 | AR      | Tie, Cable - 11.5 in.     |



## CASE/BELT COOLING ASSEMBLY

0744-433

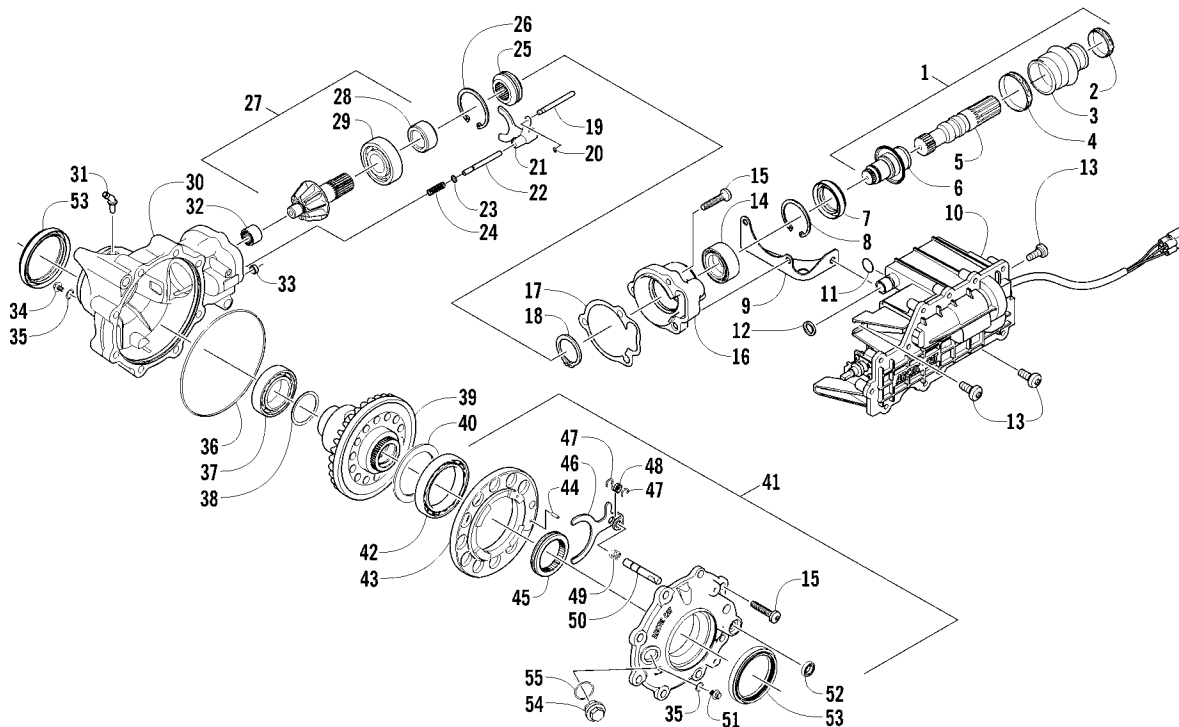
| Ref | Part No. | New Qty | Description                      | Ref | Part No. | New Qty | Description                 |
|-----|----------|---------|----------------------------------|-----|----------|---------|-----------------------------|
| 1   | 0423-550 | 2       | Clamp, Plastic                   | 8   | 0423-730 | 1       | Clamp                       |
| 2   | 0423-342 | 4       | Screw, Self-Tapping              | 9   | 0413-206 | 1       | Boot, Duct - Air Out - Rear |
| 3   | 0413-252 | 1       | Boot, Duct - Air Intake - Front  | 10  | 0470-824 | 1       | Duct, Air Out - Rear        |
| 4   | 0423-019 | 2       | Clamp                            | 11  | 0623-784 | 4       | ● Screw, Self-Tapping       |
| 5   | 0413-250 | 1       | Duct, Air Intake - Front - Lower | 12  | 0470-778 | 1       | ● Duct                      |
| 6   | 0470-750 | 1       | Duct, Air Intake - Front - Upper | 13  | 0470-825 | 1       | ● Duct                      |
| 7   | 0470-729 | 1       | Cup, Air Intake                  |     |          |         |                             |



## DRIVE TRAIN ASSEMBLY

0745-861

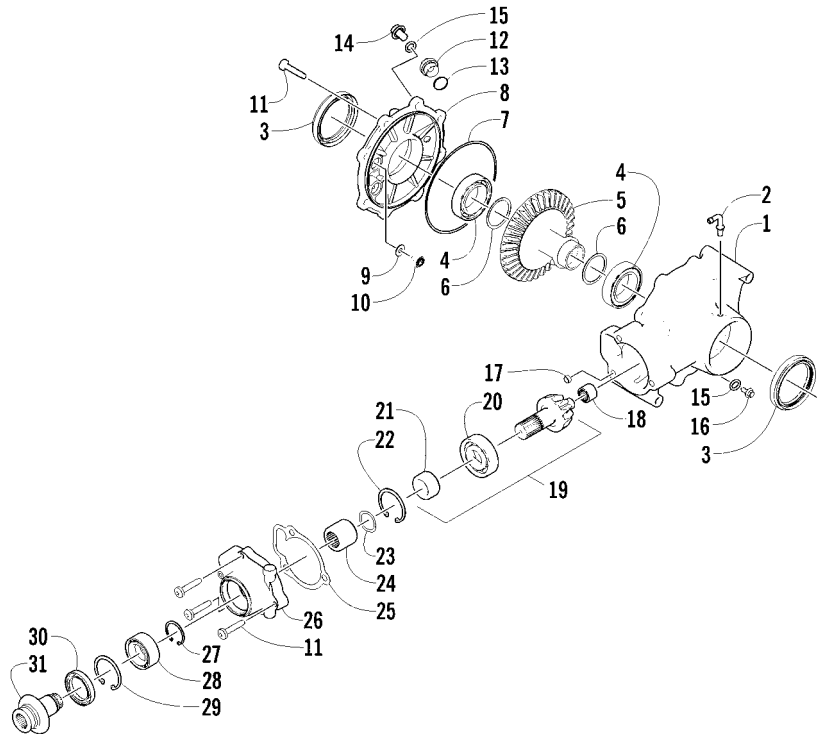
| Ref | Part No. | New Qty | Description       | Ref | Part No. | New Qty | Description             |
|-----|----------|---------|-------------------|-----|----------|---------|-------------------------|
| 1   | 1502-878 | 1       | Gearcase, Front   | 9   | 0402-950 | 1       | Flange, Output          |
| 2   | 1402-620 | 2       | Bladder, Gearcase | 10  | 8408-820 | 4       | Screw, Cap              |
| 3   | 0423-315 | 2       | Clamp, Hose       | 11  | 0423-393 | 2       | Clamp                   |
| 4   | 8428-002 | 4       | Nut, Lock         | 12  | 0402-985 | 2       | Boot                    |
| 5   | 0423-426 | 8       | Washer            | 13  | 0423-411 | 2       | Clamp                   |
| 6   | 0423-404 | 4       | Screw, Cap        | 14  | 0673-618 | 2       | Bumper, Propeller Shaft |
| 7   | 0402-966 | 1       | Boot, Shaft       | 15  | 1402-233 | 1       | Shaft, Propeller        |
| 8   | 1402-026 | 2       | Spring            | 16  | 1502-879 | 1       | Gearcase, Rear          |



## FRONT DRIVE GEARCASE ASSEMBLY

0745-863

| Ref | Part No. | New Qty | Description                                | Ref | Part No. | New Qty | Description  |
|-----|----------|---------|--|-----|----------|---------|--|
| -   | 1502-878 | 1       | Complete Front Drive Gearcase Assembly     | 32  | 0402-328 | 1       | Bearing  |
| 1   | 1502-083 | 1       | Shaft, Propeller - Assembly (inc. 2-6)     | 33  | 0402-411 | 1       | Pin, Dowel   |
| 2   | 0423-411 | 1       | ● Clamp                                    | 34  | 1402-210 | 1       | Plug, Magnetic (inc. one No. 35)                         |
| 3   | 0402-985 | 1       | ● Boot, Propeller Shaft                    | 35  | 0423-153 | 2       | ● O-Ring   |
| 4   | 0423-393 | 1       | ● Clamp                                    | 36  | 0423-149 | 1       | O-Ring   |
| 5   | 1402-045 | 1       | ● Shaft, Output                            | 37  | 0402-393 | 1       | Bearing  |
| 6   | 1502-085 | 1       | ● Shaft, Input                             | 38  | 0402-405 | AR      | Shim, 41 x 49 x 1.3 mm                                   |
| 7   | 1402-011 | 1       | Seal                                       |     | 0402-406 | AR      | Shim, 41 x 49 x 1.4 mm                                   |
| 8   | 0423-423 | 1       | Ring, Retaining                            |     | 0402-407 | AR      | Shim, 41 x 49 x 1.5 mm                                   |
| 9   | 1502-237 | 1       | Bracket, Actuator                          |     | 0402-408 | AR      | Shim, 41 x 49 x 1.6 mm                                   |
| 10  | 1502-909 | 1       | Actuator (inc. 11)                         |     | 0402-409 | AR      | Shim, 41 x 49 x 1.7 mm                                   |
| 11  | 1402-981 | 1       | ● O-Ring                                   | 39  | 1502-860 | 1       | Gear, Ring - 36T   |
| 12  | 0423-892 | 1       | O-Ring                                     | 40  | 1402-074 | AR      | Shim, 61 x 69 x 1.3 mm                                   |
| 13  | 0423-396 | 3       | Screw, Self-Tapping                        |     | 1402-075 | AR      | Shim, 61 x 69 x 1.4 mm                                   |
| 14  | 1402-043 | 1       | Bearing                                    |     | 1402-076 | AR      | Shim, 61 x 69 x 1.5 mm                                   |
| 15  | 0423-118 | 11      | Screw, Self-Tapping                        |     | 1402-077 | AR      | Shim, 61 x 69 x 1.6 mm                                   |
| 16  | 0502-528 | 1       | Housing, Pinion                            |     | 1402-078 | AR      | Shim, 61 x 69 x 1.7 mm                                   |
| 17  | 0402-947 | 1       | Gasket, Flange                             | 41  | 1502-895 | 1       | Cover, Gearcase (inc. one No. 35, 42-52, and one No. 53) |
| 18  | 0423-417 | 1       | Ring, Retaining                            | 42  | 1402-053 | 1       | ● Bearing  |
| 19  | 0402-997 | 1       | Shaft, Selector                            | 43  | 0502-413 | 1       | ● Flange, Bearing  |
| 20  | 0423-402 | 1       | Ring, Retaining                            | 44  | 1402-079 | 1       | ● Pin, Parallel  |
| 21  | 0402-998 | 1       | Fork, Selector                             | 45  | 1402-042 | 1       | ● Collar, Sliding  |
| 22  | 0402-417 | 1       | Shaft, Shuttle                             | 46  | 1402-054 | 1       | ● Fork   |
| 23  | 0423-147 | 1       | O-Ring                                     | 47  | 1402-058 | 2       | ● Ring, Retaining  |
| 24  | 0402-999 | 1       | Spring, Return                             | 48  | 1402-057 | 1       | ● Spring   |
| 25  | 0402-413 | 1       | Coupler, Drive                             | 49  | 1402-063 | 1       | ● Spring   |
| 26  | 1423-067 | 1       | Ring, Retaining                            | 50  | 1402-656 | 1       | ● Shaft, Lock  |
| 27  | 1502-863 | 1       | Gear, Pinion - Assembly - 10T (inc. 28-29) | 51  | 1402-211 | 1       | ● Plug, Oil Level (inc. one No. 35)                      |
| 28  | 1402-977 | 1       | ● Collar, Retaining                        | 52  | 1402-056 | 1       | ● Seal   |
| 29  | 0402-327 | 1       | ● Bearing                                  | 53  | 1402-950 | 2       | ● Seal   |
| 30  | 1502-856 | 1       | Housing, Gearcase                          | 54  | 0402-333 | 1       | Plug, Fill (inc. 55)                                     |
| 31  | 1402-980 | 1       | Fitting, Elbow                             | 55  | 0423-154 | 1       | ● O-Ring   |

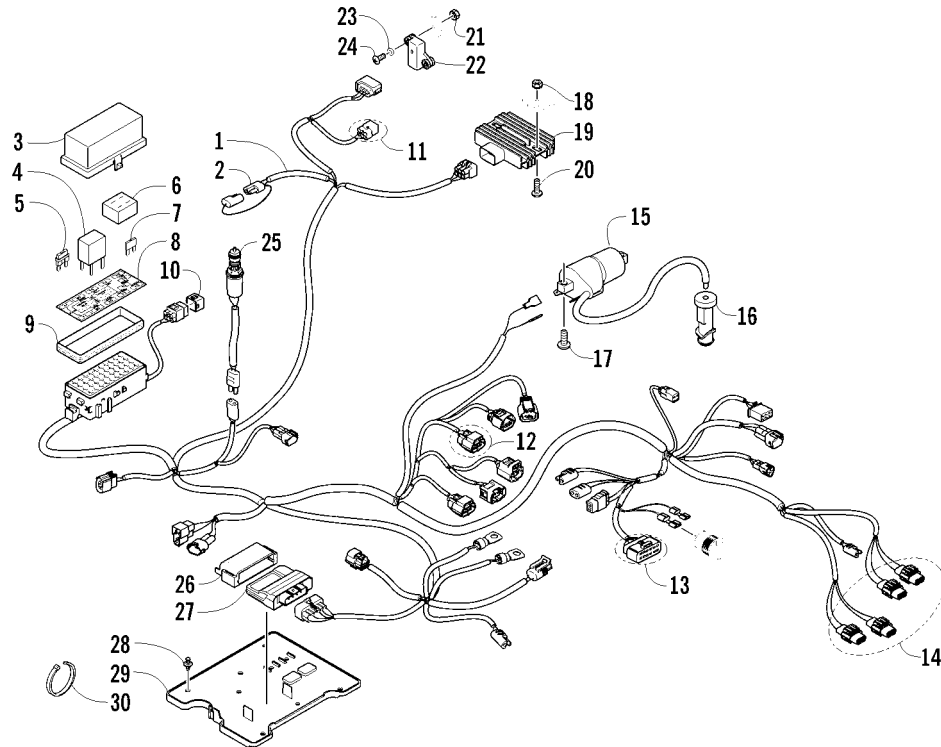


## REAR DRIVE GEARCASE ASSEMBLY

0745-864

| Ref | Part No. | New Qty | Description                           | Ref | Part No. | New Qty | Description                                |
|-----|----------|---------|---------------------------------------|-----|----------|---------|--|
| -   | 1502-879 | 1       | Complete Rear Drive Gearcase Assembly | 12  | 0402-333 | 1       | Plug, Magnetic (inc. 13)                   |
| 1   | 1502-896 | 1       | Housing, Gearcase                     | 13  | 0423-154 | 1       | ● O-Ring                                   |
| 2   | 1402-442 | 1       | Fitting, Elbow                        | 14  | 1402-211 | 1       | Plug, Oil Level (inc. one No. 15)          |
| 3   | 1402-950 | 2       | Seal                                  | 15  | 0423-153 | 2       | ● O-Ring                                   |
| 4   | 0402-393 | 2       | Bearing                               | 16  | 1402-210 | 1       | Plug, Fill (inc. one No. 15)               |
| 5   | 1402-032 | 1       | Gear, Ring - 36T                      | 17  | 0402-411 | 1       | Pin, Dowel                                 |
| 6   | 0402-405 | AR      | Shim, 41 x 49 x 1.3 mm                | 18  | 0402-328 | 1       | Bearing                                    |
|     | 0402-406 | AR      | Shim, 41 x 49 x 1.4 mm                | 19  | 1502-863 | 1       | Gear, Pinion - Assembly - 10T (inc. 20-21) |
|     | 0402-407 | AR      | Shim, 41 x 49 x 1.5 mm                | 20  | 0402-327 | 1       | ● Bearing                                  |
|     | 0402-408 | AR      | Shim, 41 x 49 x 1.6 mm                | 21  | 1402-977 | 1       | ● Collar, Retaining                        |
|     | 0402-409 | AR      | Shim, 41 x 49 x 1.7 mm                | 22  | 1423-067 | 1       | Ring, Retaining                            |
| 7   | 0423-149 | 1       | O-Ring                                | 23  | 0402-982 | 1       | Washer, Wave                               |
| 8   | 1502-897 | 1       | Cover, Gearcase                       | 24  | 0402-981 | 1       | Collar, Shaft                              |
| 9   | 0402-429 | AR      | Shim, 6.3 x 18 x 1.3 mm               | 25  | 0402-947 | 1       | Gasket, Flange                             |
|     | 0402-430 | AR      | Shim, 6.3 x 18 x 1.4 mm               | 26  | 0502-529 | 1       | Housing, Pinion                            |
|     | 0402-431 | AR      | Shim, 6.3 x 18 x 1.5 mm               | 27  | 0423-417 | 1       | Ring, Retaining                            |
|     | 0402-432 | AR      | Shim, 6.3 x 18 x 1.6 mm               | 28  | 1402-043 | 1       | Bearing                                    |
|     | 0402-433 | AR      | Shim, 6.3 x 18 x 1.7 mm               | 29  | 0423-423 | 1       | Ring, Retaining                            |
| 10  | 0402-326 | 1       | Button, Thrust                        | 30  | 1402-011 | 1       | Seal                                       |
| 11  | 0423-118 | 11      | Screw, Self-Tapping                   | 31  | 1502-085 | 1       | Shaft, Input                               |

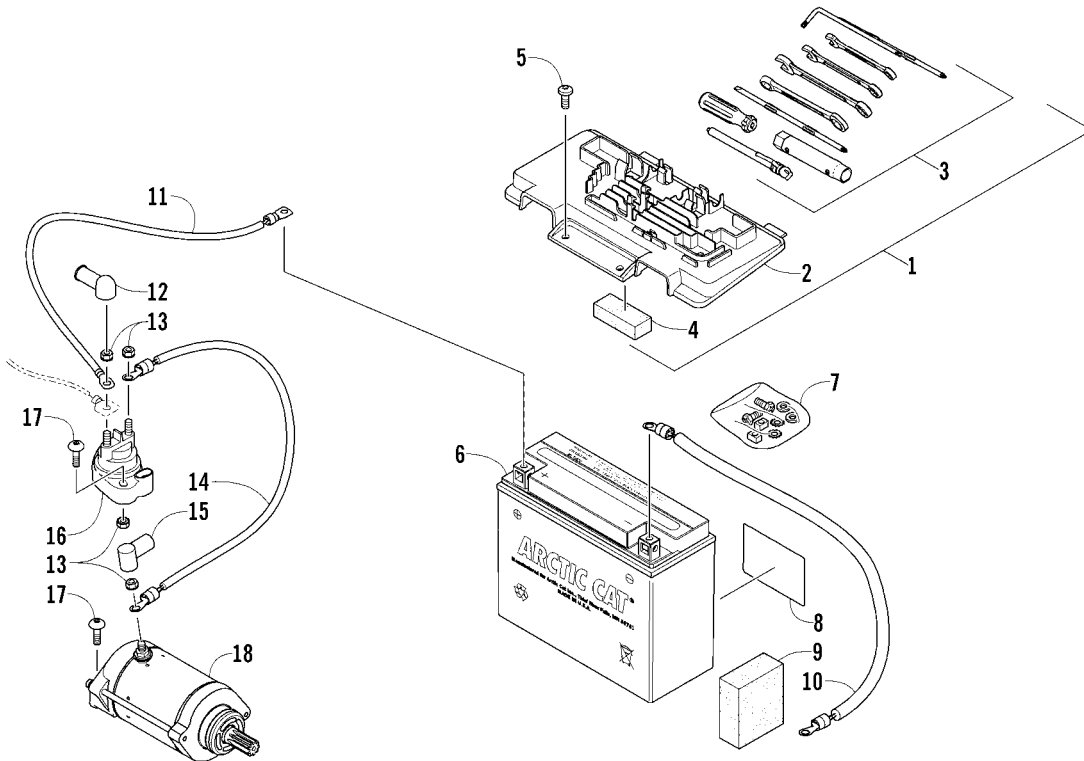




## WIRING HARNESS ASSEMBLY

0745-255

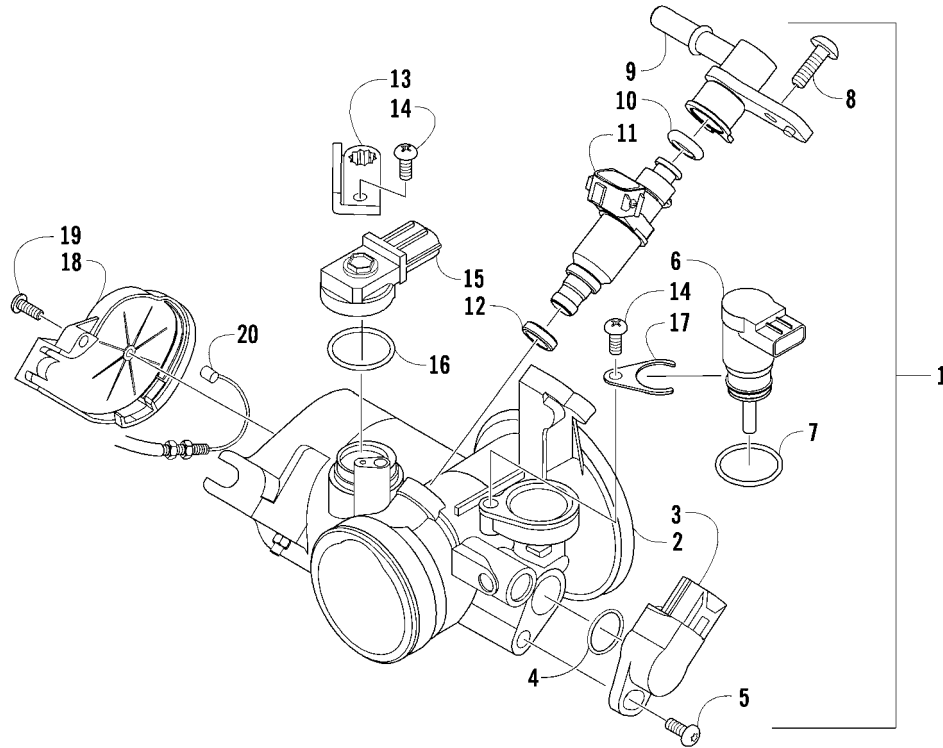
| Ref | Part No. | New Qty | Description                                | Ref | Part No. | New Qty | Description              |
|-----|----------|---------|--|-----|----------|---------|--------------------------|
| 1   | 0486-385 | 1       | Harness, Main (inc. 2-10)                  | 15  | 0824-043 | 1       | Coil, Ignition           |
| 2   | 0486-164 | 1       | ● Tether, Accessory Connector              | 16  | 0824-049 | 1       | Cap, Spark Plug          |
| 3   | 0430-085 | 1       | ● Cover, Fuse Block                        | 17  | 8476-620 | 2       | Screw, Machine           |
| 4   | 0430-045 | 6       | ● Relay (4-Pin) - 20 Amp                   | 18  | 0623-038 | 2       | Nut w/Washer             |
| 5   | 0430-034 | 2       | ● Diode                                    | 19  | 0824-037 | 1       | Regulator, Voltage       |
| 6   | 0430-037 | 1       | ● Holder, Fuse                             | 20  | 8476-625 | 2       | Screw, Machine           |
| 7   | 0430-032 | 5       | ● Fuse - 10 Amp                            | 21  | 0423-493 | 2       | Nut w/Washer             |
|     | 0430-031 | 4       | ● Fuse - 15 Amp                            | 22  | 0409-064 | 1       | Sensor, Tilt             |
|     | 0430-030 | 3       | ● Fuse - 30 Amp                            | 23  | 0123-802 | 2       | Washer                   |
| 8   | 2411-213 | 1       | ● Decal, Fuse Block                        | 24  | 8468-425 | 2       | Screw, Machine           |
| 9   | 0430-086 | 1       | ● Seal                                     | 25  | 0409-089 | 1       | Switch, Brake - Assembly |
| 10  | 0430-101 | 1       | ● Cover, Diagnostics Connector             | 26  | 0430-076 | 1       | Cushion, ECM             |
| 11  | 1436-416 | 1       | Repair Kit, Connector - Tilt Sensor        | 27  | 0530-069 | 1       | ECM                      |
| 12  | 1436-417 | 1       | Repair Kit, Connector - Idle Speed Control | 28  | 0623-362 | 3       | Rivet, Reinstallable     |
| 13  | 1436-415 | 1       | Repair Kit, Connector - LCD Gauge          | 29  | 2406-643 | 1       | Tray, Electrical         |
| 14  | 1436-290 | AR      | Repair Kit, Connector - Headlight          | 30  | 0123-788 | AR      | Tie, Cable - 8 in.       |
|     |          |         |  |     | 0123-903 | AR      | Tie, Cable - 11.5 in.    |



## BATTERY AND STARTER ASSEMBLY

0746-852

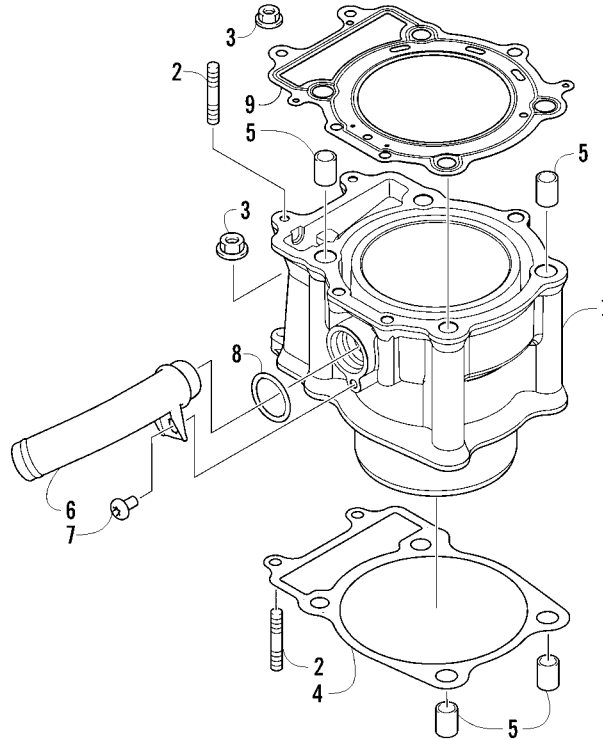
| Ref | Part No. | New | Qty | Description                                 | Ref | Part No. | New | Qty | Description                       |
|-----|----------|-----|-----|---|-----|----------|-----|-----|-----------------------------------|
| 1   | 5993-040 | X   | 1   | Battery Cover/Tool Tray Assembly (inc. 2-4) | 10  | 0445-070 |     | 1   | Cable, Battery/Ground             |
| 2   | 4406-136 | X   | 1   | ● Cover, Battery                            | 11  | 0445-062 |     | 1   | Cable, Battery/Solenoid           |
| 3   | 0444-122 |     | 1   | ● Kit, Tool                                 | 12  | 0645-327 |     | 1   | Boot, Terminal                    |
| 4   | 0417-016 |     | 1   | ● Pad, Battery                              | 13  | 0623-038 |     | 5   | Nut w/Washer                      |
| 5   | 8476-620 |     | 2   | Screw, Machine                              | 14  | 0445-064 |     | 1   | Cable, Solenoid/Starter (inc. 15) |
| 6   | 0645-480 |     | 1   | Battery Assembly (inc. 7-8)                 | 15  | 0645-019 |     | 1   | ● Boot, Terminal                  |
| 7   | 0445-082 |     | 1   | ● Kit, Hardware                             | 16  | 0445-058 |     | 1   | Solenoid                          |
| 8   | 0645-430 |     | 1   | ● Decal, Warning                            | 17  | 8476-625 |     | 4   | Screw, Machine                    |
| 9   | 0417-012 |     | 1   | Foam, Battery                               | 18  | 0825-013 |     | 1   | Motor, Starter - Assembly         |



## THROTTLE BODY ASSEMBLY

0742-670

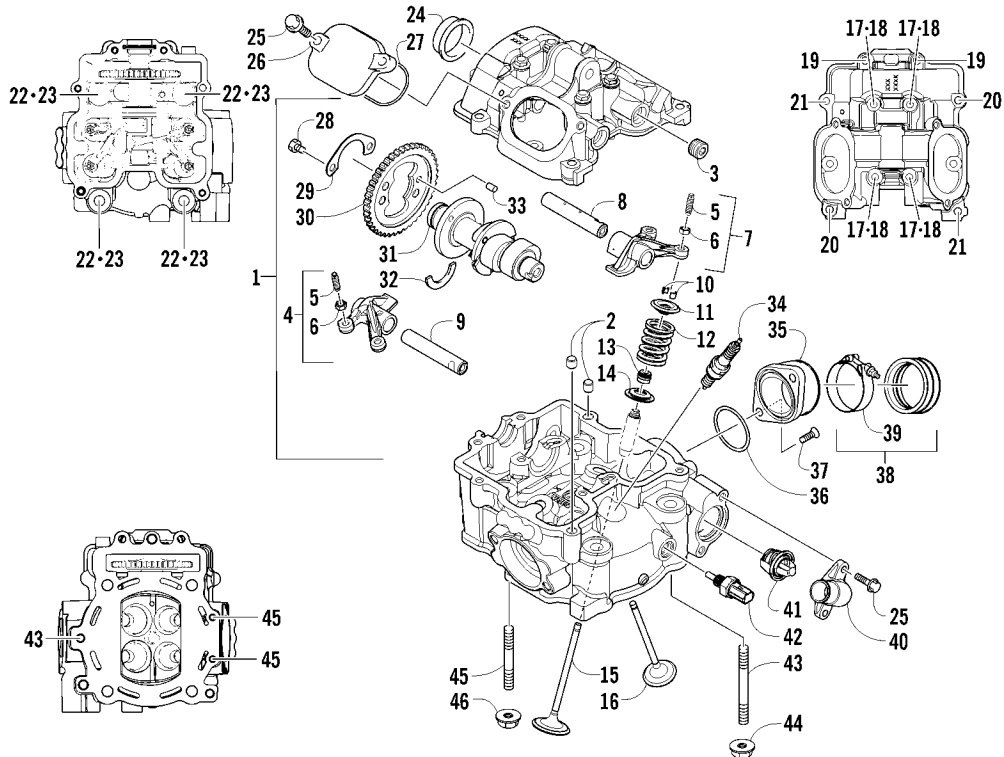
| Ref | Part No. | New Qty | Description                          | Ref | Part No. | New Qty | Description           |
|-----|----------|---------|--------------------------------------|-----|----------|---------|-----------------------|
| 1   | 0470-753 | 1       | Throttle - Assembly (inc. 2-19)      | 11  | 0470-762 | 1       | ● Injector, Fuel      |
| 2   | -        | 1       | ● Throttle Body - Not a Service Part | 12  | 0470-768 | 1       | ● Seal                |
| 3   | 0430-072 | 1       | ● Sensor, Throttle Position          | 13  | 5507-227 | 1       | ● Bracket, MAP Sensor |
| 4   | 5507-234 | 1       | ● O-Ring                             | 14  | 5507-117 | 2       | ● Screw, Machine      |
| 5   | 5507-231 | 1       | ● Screw, Machine                     | 15  | 0430-073 | 1       | ● Sensor, MAP         |
| 6   | 0430-074 | 1       | ● Valve, ISC                         | 16  | 5507-232 | 1       | ● O-Ring              |
| 7   | 5507-233 | 1       | ● O-Ring                             | 17  | 5507-229 | 1       | ● Plate, ISC Valve    |
| 8   | 5507-238 | 1       | ● Screw, Machine                     | 18  | 5507-223 | 1       | ● Cover               |
| 9   | 0470-687 | 1       | ● Rail, Fuel                         | 19  | 5507-037 | 1       | ● Screw, Machine      |
| 10  | 0470-767 | 1       | ● O-Ring                             | 20  | 0487-057 | 1       | Cable, Throttle       |



### CYLINDER ASSEMBLY

0744-071

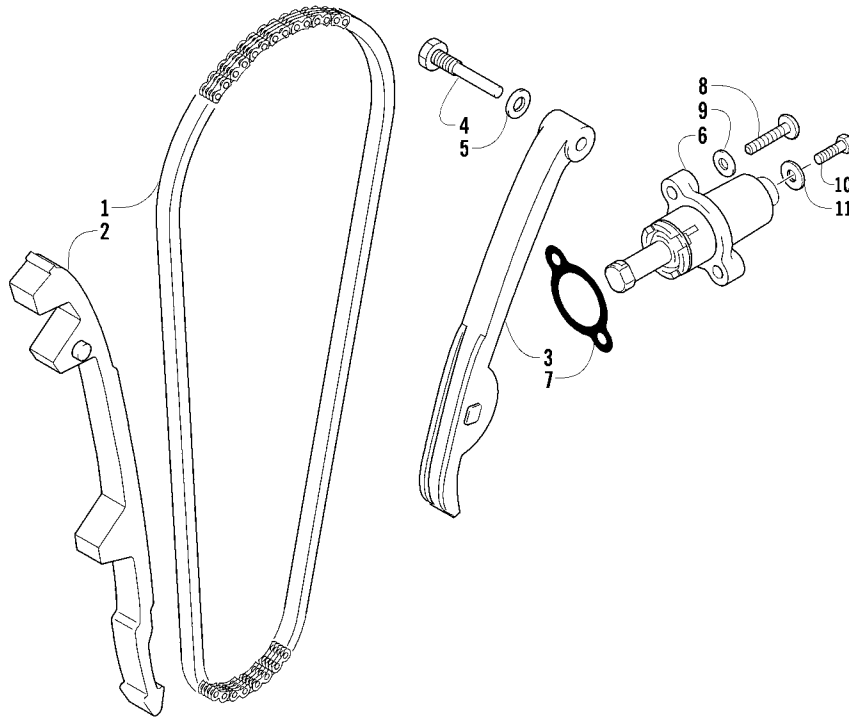
| Ref | Part No. | New Qty | Description  | Ref | Part No. | New Qty | Description           |
|-----|----------|---------|--------------|-----|----------|---------|-----------------------|
| 1   | 0804-051 | 1       | Cylinder     | 6   | 0804-047 | 1       | Union, Coolant Hose   |
| 2   | 0827-002 | 4       | Bolt, Stud   | 7   | 8468-612 | 1       | Screw, Machine        |
| 3   | 8424-604 | 4       | Nut          | 8   | 0830-007 | 1       | O-Ring                |
| 4   | 0830-084 | 1       | Gasket, Base | 9   | 0830-097 | 1       | Gasket, Cylinder Head |
| 5   | 0829-002 | 4       | Pin, Dowel   |     |          |         |                       |



## CYLINDER HEAD AND CAMSHAFT/VALVE ASSEMBLY

0745-901

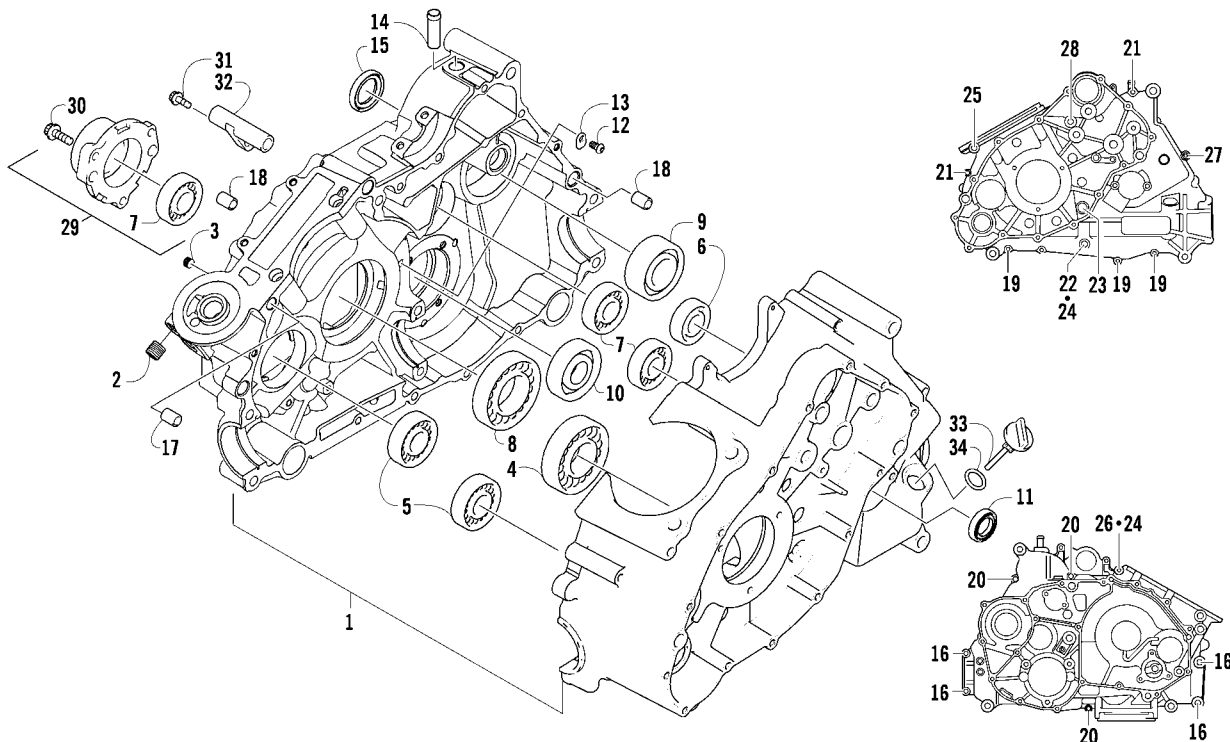
| Ref | Part No. | New Qty | Description   | Ref | Part No. | New Qty | Description                        |
|-----|----------|---------|---|-----|----------|---------|------------------------------------|
| 1   | 0808-175 | 1       | Head, Cylinder - Assembly (inc. 2-17)               | 23  | 0830-147 | 4       | Washer                             |
| 2   | 0829-048 | 2       | ● Pin, Dowel  | 24  | 0808-077 | 1       | Plug, Cylinder Head                |
| 3   | 0831-092 | 2       | ● Plug, Shaft                                       | 25  | 0826-007 | 6       | Screw, Cap                         |
| 4   | 0809-237 | 1       | ● Arm, Valve Rocker - Exhaust<br>(inc. two No. 5-6) | 26  | 0808-003 | 2       | Cap, Inspection                    |
| 5   | 0809-240 | 4       | ●● Screw, Adjuster                                  | 27  | 0830-167 | 2       | O-Ring                             |
| 6   | 0827-059 | 4       | ●● Nut  | 28  | 0826-034 | 2       | Screw, Cap                         |
| 7   | 0809-234 | 1       | ● Arm, Valve Rocker - Intake<br>(inc. two No. 5-6)  | 29  | 0828-004 | 1       | Plate, Retainer                    |
| 8   | 0809-241 | 1       | ● Shaft, Rocker Arm - Intake                        | 30  | 0809-212 | 1       | Sprocket                           |
| 9   | 0809-242 | 1       | ● Shaft, Rocker Arm - Exhaust                       | 31  | 0809-245 | 1       | Camshaft                           |
| 10  | 0809-233 | 8       | ● Cotter, Valve                                     | 32  | 0809-003 | 1       | C-Ring                             |
| 11  | 0809-232 | 4       | ● Retainer, Spring                                  | 33  | 0829-049 | 1       | Pin, Dowel                         |
| 12  | 0809-231 | 4       | ● Spring, Valve                                     | 34  | 0217-799 | 1       | Spark Plug - CPR8E                 |
| 13  | 0830-186 | 4       | ● Seal, Oil   | 35  | 0470-668 | 1       | Flange, Intake Manifold            |
| 14  | 0809-230 | 4       | ● Seat, Spring - Valve                              | 36  | 0830-090 | 1       | O-Ring                             |
| 15  | 0809-228 | 2       | ● Valve, Intake                                     | 37  | 0826-008 | 2       | Screw, Machine                     |
| 16  | 0809-229 | 2       | ● Valve, Exhaust                                    | 38  | 0437-069 | 1       | Boot (inc. 39)                     |
| 17  | 0826-149 | 4       | ● Screw, Cap  | 39  | 1423-041 | 1       | ● Clamp                            |
| 18  | 0830-155 | 4       | Gasket  | 40  | 0808-008 | 1       | Cover, Thermostat                  |
| 19  | 0826-002 | 2       | Screw, Cap  | 41  | 0808-078 | 1       | Thermostat                         |
| 20  | 0826-005 | 2       | Screw, Cap  | 42  | 0808-124 | 1       | Sensor, Engine Coolant Temperature |
| 21  | 0826-006 | 2       | Screw, Cap  | 43  | 0827-031 | 1       | Bolt, Stud                         |
| 22  | 0808-037 | 4       | Screw, Cap  | 44  | 8424-804 | 1       | Nut                                |
|     |          |         |   | 45  | 0827-030 | 2       | Bolt, Stud                         |
|     |          |         |   | 46  | 8424-604 | 2       | Nut                                |



## CAM CHAIN ASSEMBLY

0732-308

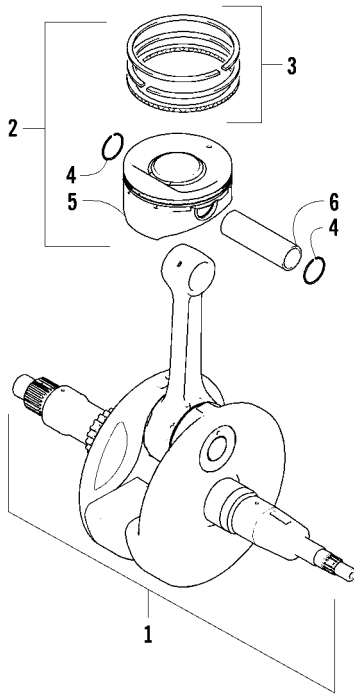
| Ref | Part No. | New Qty | Description                    | Ref | Part No. | New Qty | Description    |
|-----|----------|---------|--------------------------------|-----|----------|---------|----------------|
| 1   | 0810-001 | 1       | Chain, Cam                     | 7   | 0830-018 | 1       | Gasket         |
| 2   | 0810-002 | 1       | Guide, Chain                   | 8   | 8468-625 | 2       | Screw, Machine |
| 3   | 0810-003 | 1       | Tensioner, Chain               | 9   | 0830-107 | 2       | Gasket         |
| 4   | 0826-036 | 1       | Pivot, Tensioner               | 10  | 8400-610 | 1       | Screw, Cap     |
| 5   | 0830-025 | 1       | Washer, Crush                  | 11  | 0828-129 | 1       | Washer         |
| 6   | 0810-004 | 1       | Adjuster, Tensioner - Assembly |     |          |         |                |



## CRANKCASE ASSEMBLY

0743-953

| Ref | Part No. | New Qty | Description                    | Ref | Part No. | New Qty | Description                                  |
|-----|----------|---------|--------------------------------|-----|----------|---------|--|
| 1   | 0801-151 | 1       | Crankcase Assembly (inc. 2-15) | 19  | 8468-645 | 3       | Screw, Machine                               |
| 2   | 0812-064 | 2       | ● Plug                         | 20  | 8468-655 | 3       | Screw, Machine                               |
| 3   | 0801-002 | 1       | ● Plug                         | 21  | 8468-675 | 2       | Screw, Machine                               |
| 4   | 0832-043 | 1       | ● Bearing                      | 22  | 8412-860 | 1       | Screw, Cap                                   |
| 5   | 0832-044 | 2       | ● Bearing                      | 23  | 0826-017 | 1       | Screw, Cap                                   |
| 6   | 0832-049 | 1       | ● Bearing                      | 24  | 0830-008 | 2       | Gasket                                       |
| 7   | 0832-050 | 3       | ● Bearing                      | 25  | 0826-019 | 1       | Screw, Cap                                   |
| 8   | 0832-042 | 1       | ● Bearing                      | 26  | 0826-018 | 1       | Screw, Cap                                   |
| 9   | 0832-048 | 1       | ● Bearing                      | 27  | 8468-695 | 1       | Screw, Machine                               |
| 10  | 0832-077 | 1       | ● Bearing                      | 28  | 8468-680 | 1       | Screw, Machine                               |
| 11  | 0822-052 | 1       | ● Seal, Countershaft           | 29  | 0801-029 | 1       | Housing, Secondary Shaft<br>(inc. one No. 7) |
| 12  | 0826-100 | 4       | ● Screw, Machine               | 30  | 0826-105 | 3       | Screw, Cap                                   |
| 13  | 0822-010 | 4       | ● Retainer, Bearing            | 31  | 0826-038 | 1       | Screw, Cap                                   |
| 14  | 0801-028 | 1       | ● Pipe, Breather               | 32  | 0801-069 | 1       | Pipe, Breather                               |
| 15  | 0830-035 | 1       | ● Seal, Driveshaft             | 33  | 0801-179 | 1       | Stick, Oil Level                             |
| 16  | 8412-850 | 4       | Screw, Cap                     | 34  | 0830-010 | 1       | O-Ring                                       |
| 17  | 0829-003 | 1       | Pin, Dowel                     |     |          |         |  |
| 18  | 0829-002 | 5       | Pin, Dowel                     |     |          |         |  |

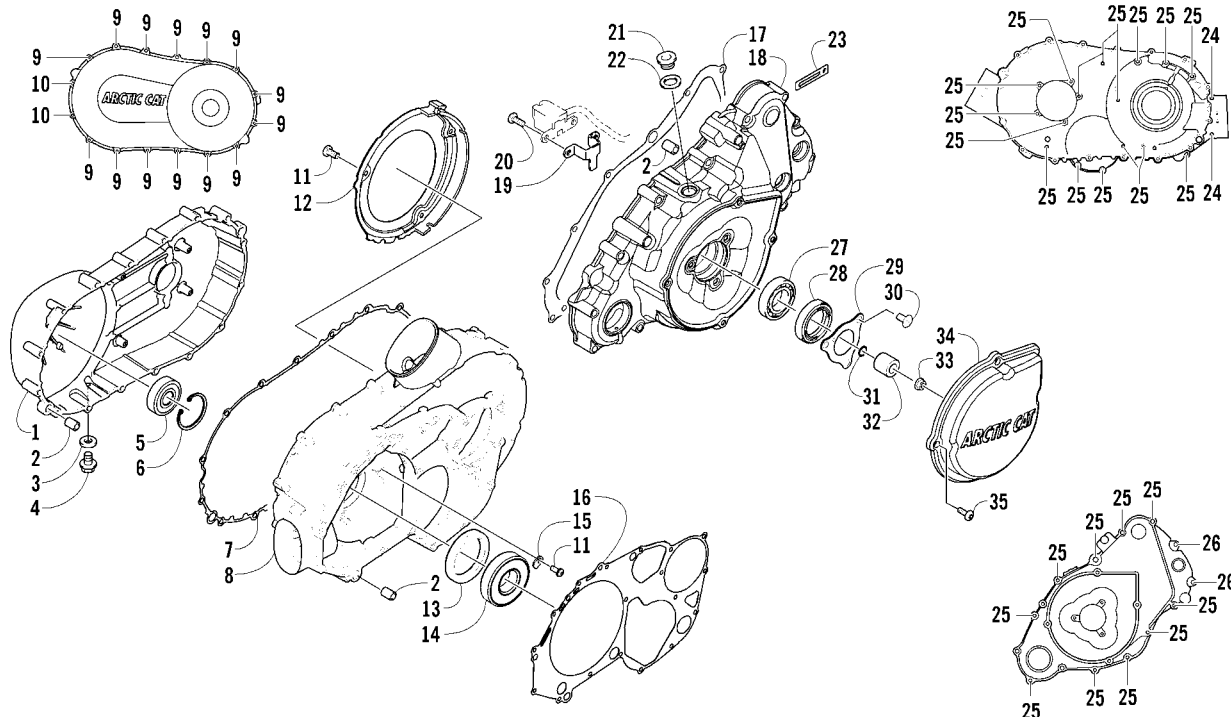


## CRANKSHAFT AND PISTON ASSEMBLY

0739-932

| Ref | Part No. | New Qty | Description           | Ref | Part No. | New Qty | Description                   |
|-----|----------|---------|-----------------------|-----|----------|---------|-------------------------------|
| 1   | 0805-325 | 1       | Crankshaft Assembly   | 4   | 0831-001 | 2       | ● Circlip, Piston Pin         |
| 2   | 0805-064 | 1       | Piston Set (inc. 3-6) | 5   | -        | 1       | ● Piston - Not a Service Part |
| 3   | 0805-065 | 1       | ● Ring, Piston - Set  | 6   | 0805-012 | 1       | ● Pin, Piston                 |

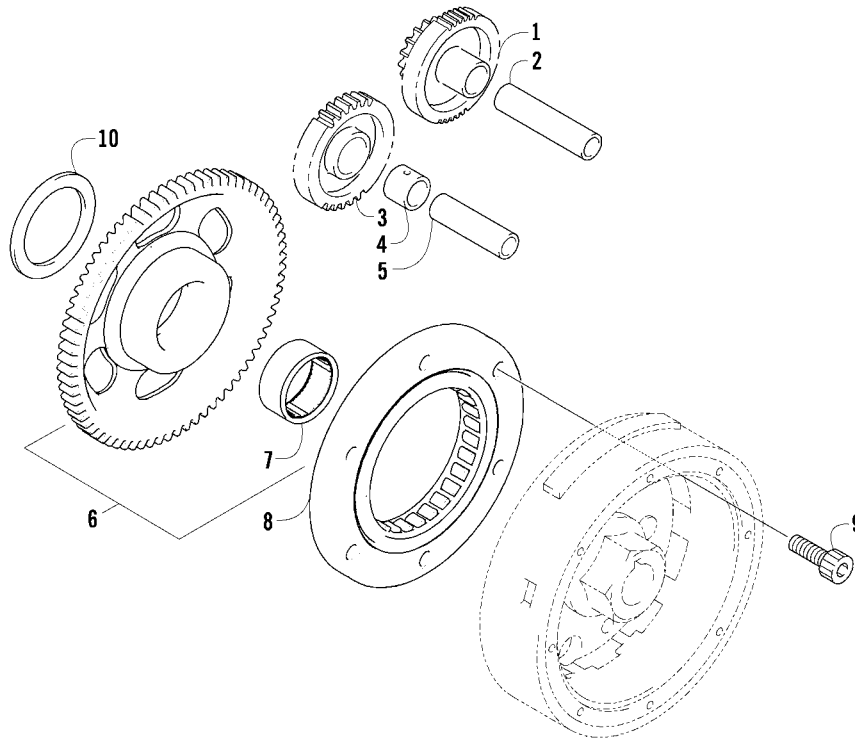




## CLUTCH/V-BELT/MAGNETO COVER ASSEMBLY

0746-612

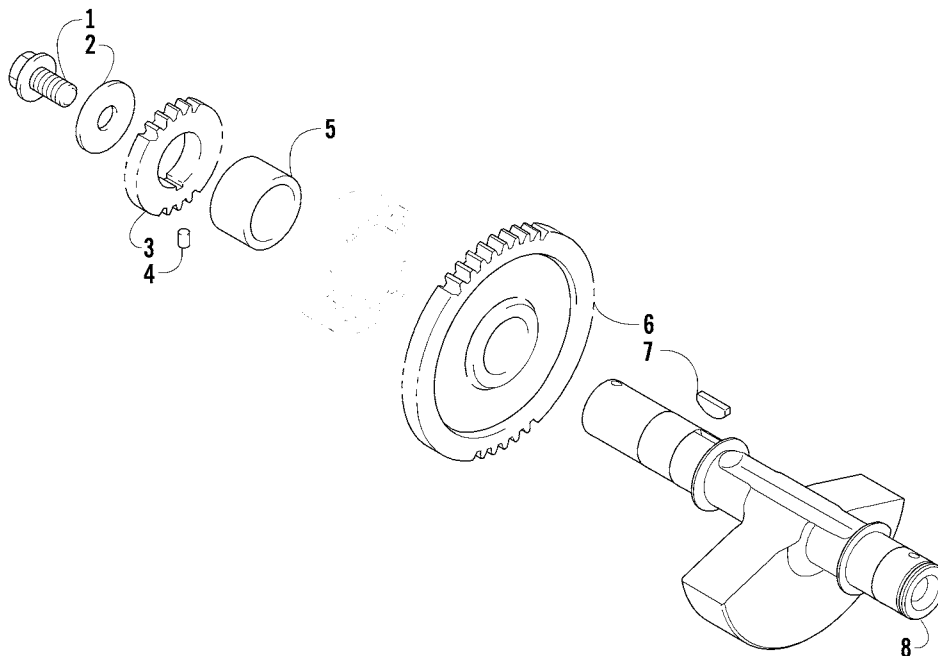
| Ref | Part No. | New Qty | Description                         | Ref | Part No. | New Qty | Description      |
|-----|----------|---------|-------------------------------------|-----|----------|---------|------------------|
| 1   | 0806-089 | 1       | Cover, V-Belt                       | 19  | 0802-071 | X 1     | ● Clamp, Routing |
| 2   | 0829-002 | 6       | Pin, Dowel                          | 20  | 8470-510 | 2       | Screw, Machine   |
| 3   | 0830-013 | 1       | Washer, Crush                       | 21  | 0826-155 | 1       | Plug             |
| 4   | 8408-812 | 1       | Screw, Cap                          | 22  | 0830-015 | 1       | Washer, Crush    |
| 5   | 0832-060 | 1       | Bearing                             | 23  | 1623-984 | X 1     | Clamp, Routing   |
| 6   | 0831-078 | 1       | Ring, Retaining                     | 24  | 8468-675 | 2       | Screw, Machine   |
| 7   | 0830-174 | 1       | Gasket, V-Belt Cover                | 25  | 8468-640 | 26      | Screw, Machine   |
| 8   | 0806-086 | 1       | Cover, Clutch                       | 26  | 8468-625 | 2       | Screw, Machine   |
| 9   | 8468-645 | 14      | Screw, Machine                      | 27  | 1602-981 | 1       | Bearing          |
| 10  | 8468-655 | 2       | Screw, Machine                      | 28  | 0830-158 | 1       | Seal             |
| 11  | 0826-029 | 5       | Screw, Machine                      | 29  | 0805-008 | 1       | Retainer, Seal   |
| 12  | 0806-048 | 1       | Plate, Air Intake                   | 30  | 0826-031 | 3       | Screw, Machine   |
| 13  | 0830-188 | 1       | Seal                                | 31  | 0830-108 | 1       | O-Ring           |
| 14  | 0832-009 | 1       | Bearing                             | 32  | 0820-061 | 1       | Bushing          |
| 15  | 0822-010 | 2       | Retainer, Bearing                   | 33  | 0827-008 | 1       | Nut              |
| 16  | 0830-116 | 1       | Gasket, Clutch Cover                | 34  | 0820-062 | 1       | Cover, Magneto   |
| 17  | 0830-128 | 1       | Gasket, Magneto Cover               | 35  | 8468-616 | 4       | Screw, Machine   |
| 18  | 0806-127 | X 1     | Cover, Magneto - Assembly (inc. 19) |     |          |         |                  |



## STARTER CLUTCH ASSEMBLY

0739-940

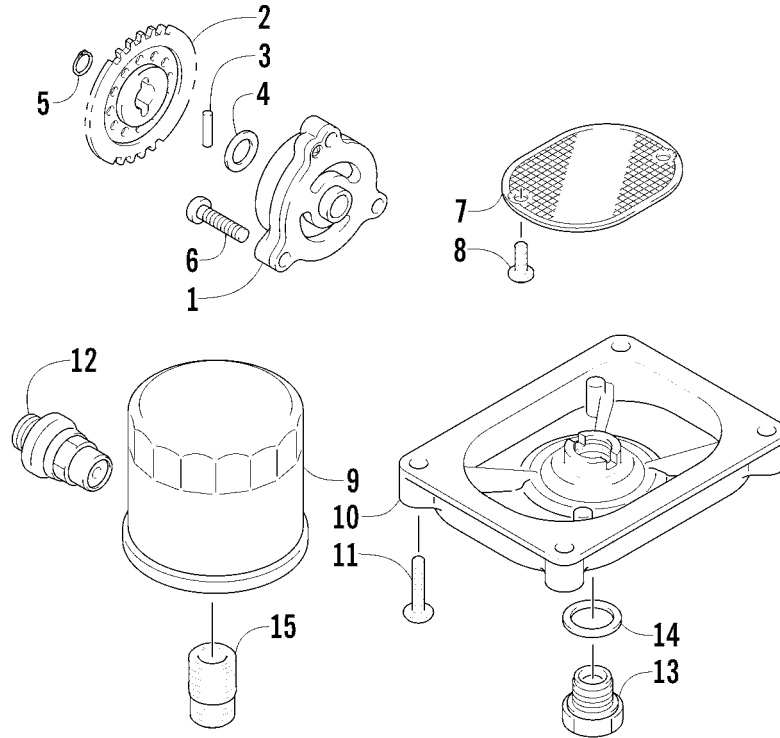
| Ref | Part No. | New Qty | Description                      | Ref | Part No. | New Qty | Description                   |
|-----|----------|---------|----------------------------------|-----|----------|---------|-------------------------------|
| 1   | 0815-001 | 1       | Gear, Starter Idler - No. 1      | 6   | 0815-004 | 1       | Gear, Starter Clutch (inc. 7) |
| 2   | 0829-031 | 1       | Shaft, Starter Gear              | 7   | 0832-079 | 1       | ● Bearing                     |
| 3   | 0815-002 | 1       | Gear, Starter Idler - No. 2      | 8   | 0802-035 | 1       | Clutch, Starter               |
| 4   | 0815-003 | 1       | Spacer, Starter Idler Gear No. 2 | 9   | 0826-069 | 6       | Screw, Machine                |
| 5   | 0829-032 | 1       | Shaft, Starter Gear              | 10  | 0828-094 | 1       | Washer                        |



## CRANK BALANCER ASSEMBLY

0739-941

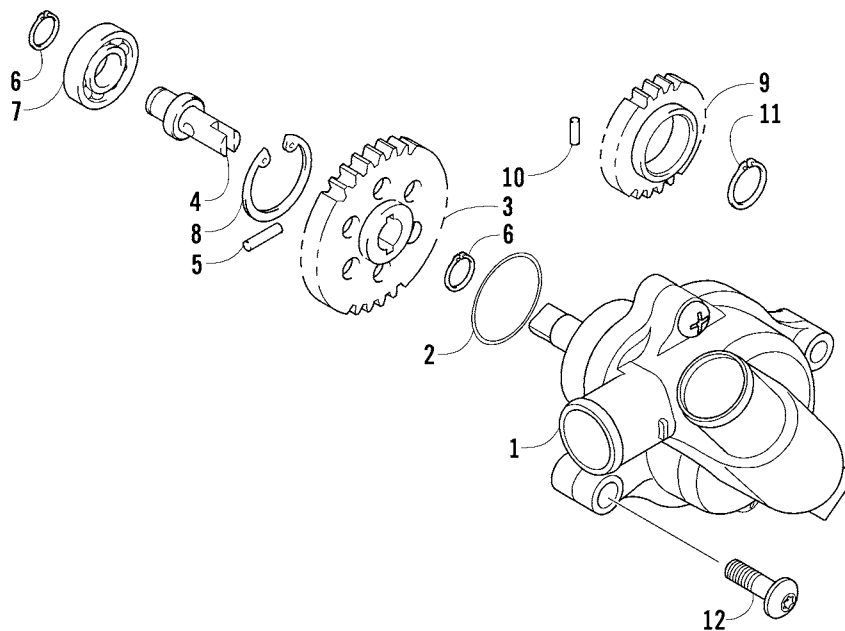
| Ref | Part No. | New Qty | Description          | Ref | Part No. | New Qty | Description     |
|-----|----------|---------|----------------------|-----|----------|---------|-----------------|
| 1   | 0826-033 | 1       | Screw, Cap           | 5   | 0811-004 | 1       | Spacer          |
| 2   | 0828-003 | 1       | Washer               | 6   | 0811-034 | 1       | Gear, Driven    |
| 3   | 0811-003 | 1       | Gear, Oil Pump Drive | 7   | 0829-006 | 1       | Key             |
| 4   | 0829-007 | 1       | Pin, Dowel           | 8   | 0805-304 | 1       | Balancer, Crank |



## OIL FILTER/PUMP ASSEMBLY

0744-012

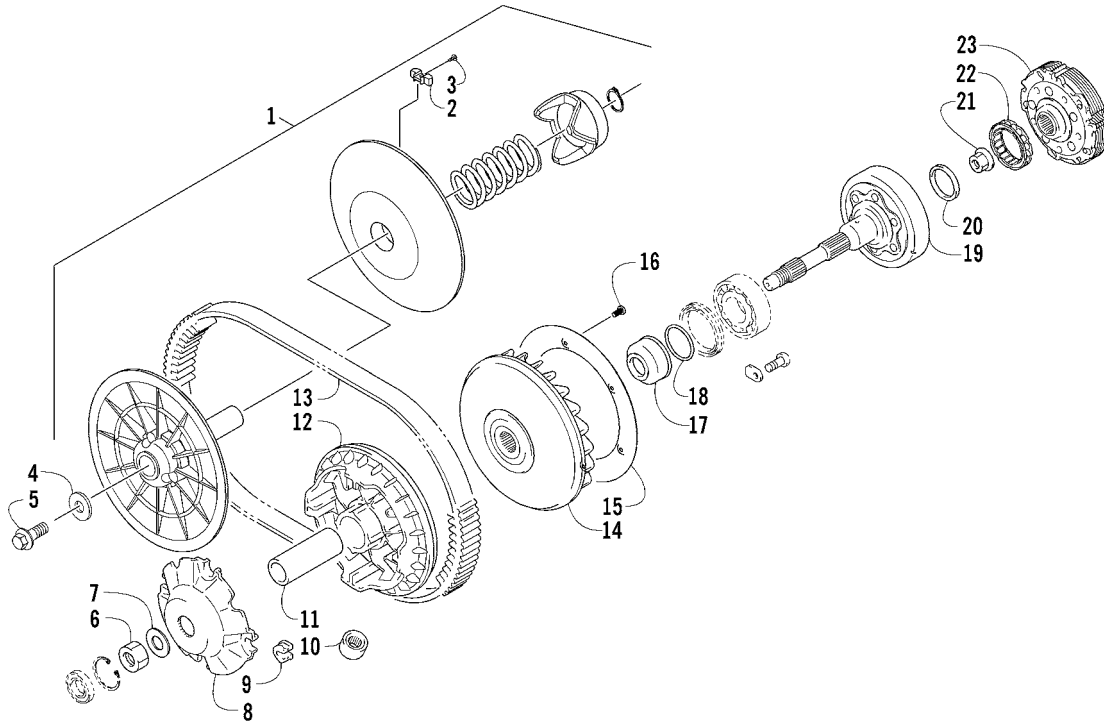
| Ref | Part No. | New Qty | Description     | Ref | Part No. | New Qty | Description                  |
|-----|----------|---------|-----------------|-----|----------|---------|------------------------------|
| 1   | 0812-023 | 1       | Pump, Oil       | 9   | 0812-029 | 1       | Filter, Oil                  |
| 2   | 0812-083 | 1       | Gear, Driven    | 10  | 0812-053 | 1       | Cap, Oil Strainer            |
| 3   | 0829-009 | 1       | Pin             | 11  | 8468-625 | 4       | Screw, Machine               |
| 4   | 0828-007 | 1       | Washer          | 12  | 0812-007 | 1       | Valve, Oil-Relief - Assembly |
| 5   | 0831-002 | 1       | Ring, Retaining | 13  | 0812-006 | 1       | Plug, Drain                  |
| 6   | 0826-039 | 3       | Screw, Machine  | 14  | 0830-017 | 1       | Gasket, Drain Plug           |
| 7   | 0812-057 | 1       | Strainer, Oil   | 15  | 0812-008 | 1       | Union, Filter                |
| 8   | 0826-040 | 2       | Screw, Machine  |     |          |         |                              |



## WATER PUMP ASSEMBLY

0739-945

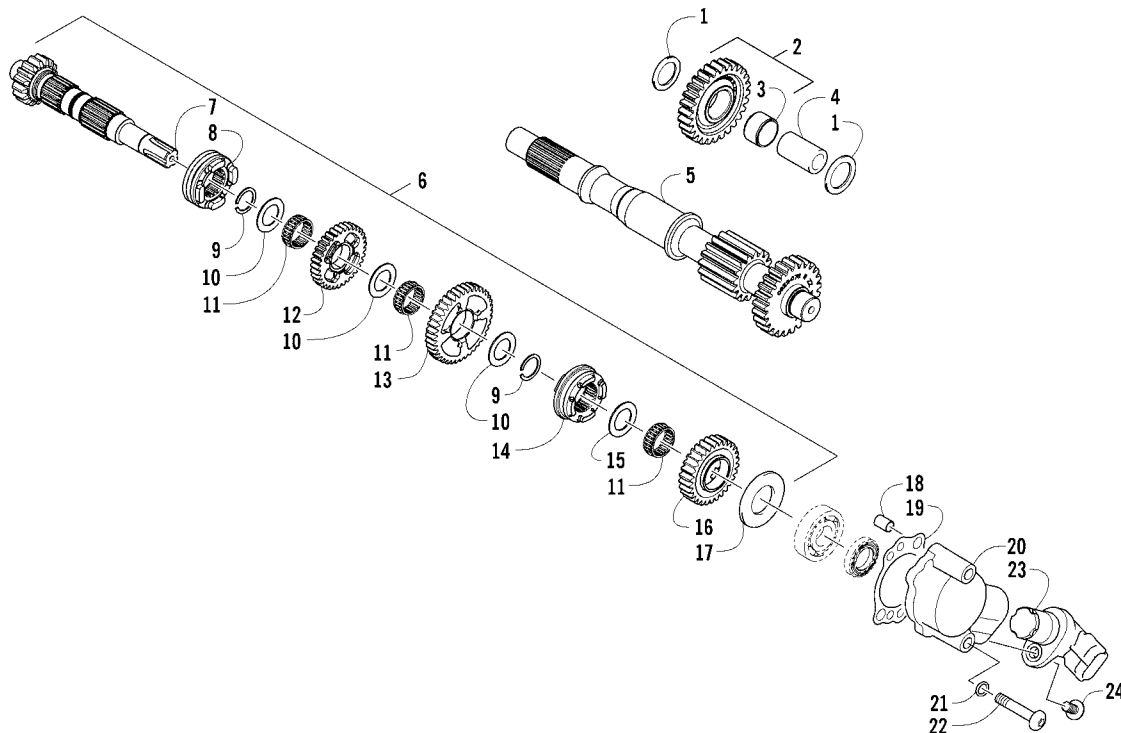
| Ref | Part No. | New Qty | Description                     | Ref | Part No. | New Qty | Description            |
|-----|----------|---------|---------------------------------|-----|----------|---------|------------------------|
| 1   | 0813-001 | 1       | Pump, Water - Assembly (inc. 2) | 7   | 0832-046 | 1       | Bearing, Shaft         |
| 2   | 0830-029 | 1       | ● O-Ring                        | 8   | 0831-004 | 1       | Ring, Retaining        |
| 3   | 0813-004 | 1       | Gear, Driven                    | 9   | 0811-003 | 1       | Gear, Water Pump Drive |
| 4   | 0813-005 | 1       | Shaft, Driven Gear              | 10  | 0829-007 | 1       | Pin, Alignment         |
| 5   | 0829-009 | 1       | Pin, Driven Gear                | 11  | 0831-005 | 1       | Ring, Retaining        |
| 6   | 0831-002 | 2       | Ring, Retaining                 | 12  | 8468-665 | 2       | Screw, Machine         |



## TRANSMISSION ASSEMBLY

0746-669

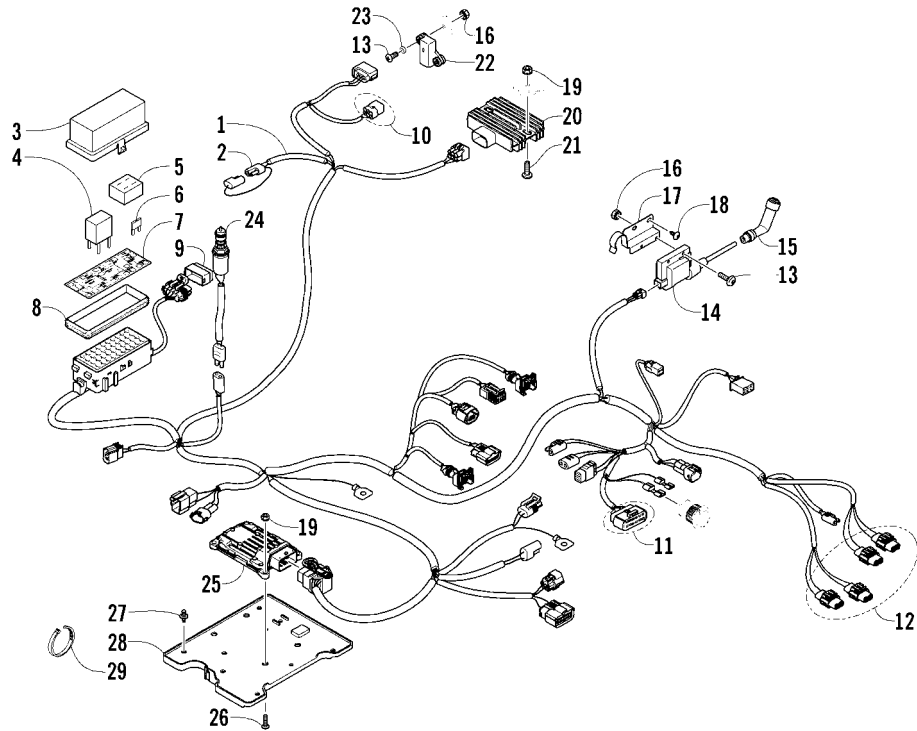
| Ref | Part No. | New Qty | Description                          | Ref | Part No. | New Qty | Description                   |
|-----|----------|---------|--------------------------------------|-----|----------|---------|-------------------------------|
| 1   | 0823-353 | 1       | Pulley, Driven - Assembly (inc. 2-3) | 13  | 0823-013 | 1       | Belt, Drive                   |
| 2   | 0823-176 | 3       | ● Shoe, Cam                          | 14  | 0823-272 | 1       | Face, Fixed Drive             |
| 3   | 0823-177 | 3       | ● Screw, Machine                     | 15  | 0823-131 | 1       | Shroud, Drive Face            |
| 4   | 0623-929 | 1       | Washer                               | 16  | 0623-914 | 6       | Screw, Self-Tapping           |
| 5   | 8413-241 | 1       | Screw, Cap                           | 17  | 0823-015 | 1       | Spacer, Fixed Drive Face      |
| 6   | 0827-010 | 1       | Nut                                  | 18  | 0470-531 | 1       | O-Ring                        |
| 7   | 0828-106 | 1       | Washer                               | 19  | 0821-002 | 1       | Housing, Clutch - Assembly    |
| 8   | 0823-276 | 1       | Plate, Movable Drive Face            | 20  | 0830-189 | 1       | Seal                          |
| 9   | 0823-277 | 4       | Damper, Movable Drive Face           | 21  | 0827-011 | 1       | Nut                           |
| 10  | 0823-164 | 8       | Roller                               | 22  | 0823-018 | 1       | Clutch, One-Way               |
| 11  | 0823-271 | 1       | Spacer                               | 23  | 0823-310 | 1       | Clutch, Centrifugal - 6 Plate |
| 12  | 0823-273 | 1       | Face, Movable Drive                  |     |          |         |                               |



## SECONDARY TRANSMISSION ASSEMBLY

0746-671

| Ref | Part No. | New | Qty | Description                           | Ref | Part No. | New | Qty | Description                 |
|-----|----------|-----|-----|---------------------------------------|-----|----------|-----|-----|-----------------------------|
| 1   | 0828-101 | X   | 2   | Washer, Thrust                        | 13  | 0822-137 | X   | 1   | ● Gear, Driven - Low        |
| 2   | 0822-092 | X   | 1   | Gear, Reverse Idle (inc. 3)           | 14  | 0822-138 | X   | 1   | ● Gear Select, Sliding      |
| 3   | -        |     | 1   | ● Bushing - Not Serviced Individually | 15  | 0822-075 |     | 1   | ● Shim                      |
| 4   | 0822-080 | X   | 1   | Shaft, Reverse Idle                   | 16  | 0822-139 | X   | 1   | ● Gear, Driven - High       |
| 5   | 0822-076 | X   | 1   | Driveshaft                            | 17  | 0829-059 |     | 1   | ● Washer, Thrust            |
| 6   | 0822-133 | X   | 1   | Countershaft Assembly (inc. 7-17)     | 18  | 0829-023 |     | 2   | Pin, Dowel                  |
| 7   | 0822-134 | X   | 1   | ● Countershaft                        | 19  | 0830-129 |     | 1   | Gasket                      |
| 8   | 0822-135 | X   | 1   | ● Gear Select, Reverse                | 20  | 0822-130 | X   | 1   | Housing, Speedometer Sensor |
| 9   | 0831-091 | X   | 2   | ● Ring, Retaining                     | 21  | 0830-107 |     | 2   | Gasket                      |
| 10  | 0828-099 | X   | 3   | ● Washer, Spline                      | 22  | 8468-645 |     | 2   | Screw, Machine              |
| 11  | 0832-061 |     | 3   | ● Bearing                             | 23  | 0430-091 |     | 1   | Sensor, Speedometer         |
| 12  | 0822-136 | X   | 1   | ● Gear, Reverse Driven                | 24  | 8468-620 |     | 1   | Screw, Machine              |

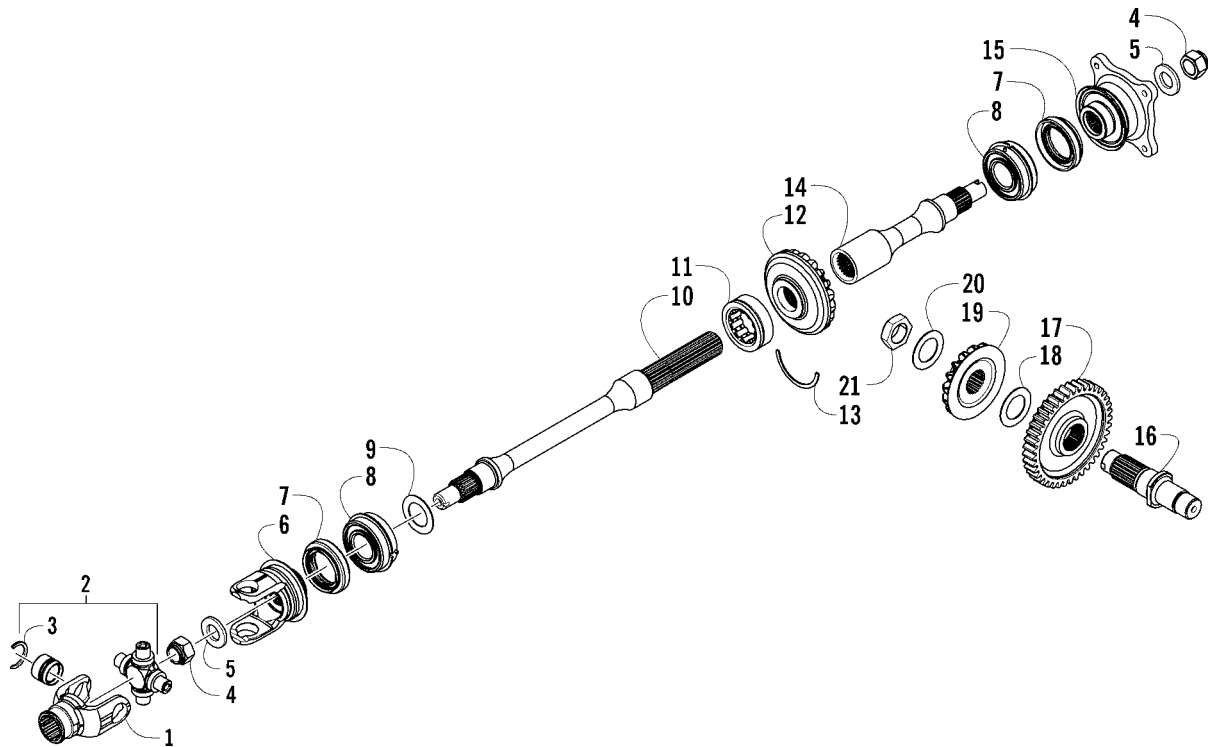


## GEAR SHIFTING ASSEMBLY

0745-773

| Ref | Part No. | New | Qty | Description                  | Ref | Part No. | New | Qty | Description           |
|-----|----------|-----|-----|------------------------------|-----|----------|-----|-----|-----------------------|
| 1   | 0828-036 |     | 2   | Washer                       | 13  | 0828-131 |     | 1   | Spacer                |
| 2   | 0831-010 |     | 2   | Ring, Retaining              | 14  | 0828-037 |     | 1   | Washer                |
| 3   | 0818-007 |     | 1   | Shaft, Sub-Gear Shift        | 15  | 0818-089 |     | 1   | Plate, Gear Shift Cam |
| 4   | 0830-044 |     | 1   | Seal, Sub-Gear Shift Shaft   | 16  | 0826-006 |     | 1   | Screw, Cap            |
| 5   | 0818-014 |     | 1   | Arm, Select                  | 17  | 0828-038 |     | 1   | Washer                |
| 6   | 8468-620 |     | 1   | Screw, Machine               | 18  | 0818-002 |     | 1   | Stopper, Cam          |
| 7   | 8470-520 |     | 2   | Screw, Machine               | 19  | 0818-004 |     | 1   | Support, Cam Stopper  |
| 8   | 0409-090 |     | 1   | Switch, Gear Position        | 20  | 0818-090 |     | 1   | Spring                |
| 9   | 0818-013 |     | 2   | Contact                      | 21  | 0828-035 |     | 1   | Washer                |
| 10  | 0818-017 |     | 2   | Spring                       | 22  | 8424-602 |     | 1   | Nut                   |
| 11  | 0828-040 |     | 1   | Washer                       | 23  | 0818-072 |     | 2   | Fork, Shift           |
| 12  | 0818-075 | X   | 1   | Shaft, Gear Shift - Assembly | 24  | 0818-006 |     | 1   | Shaft, Shift Fork     |

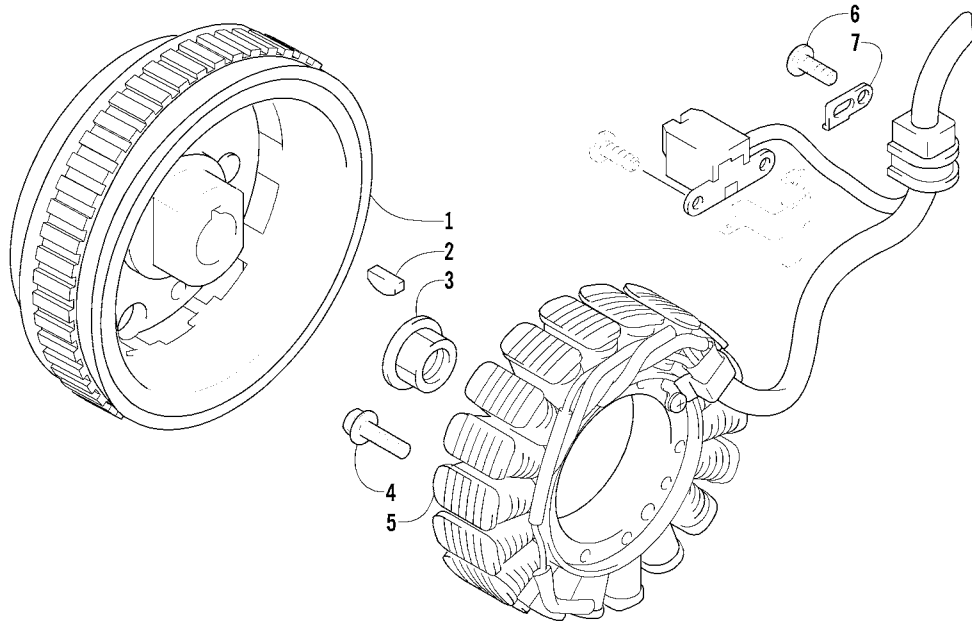




## SECONDARY DRIVE ASSEMBLY

0746-673

| Ref | Part No. | New Qty | Description                     | Ref | Part No. | New Qty | Description                    |                       |
|-----|----------|---------|---------------------------------|-----|----------|---------|--------------------------------|-----------------------|
| 1   | 0819-063 | 1       | Yoke, Propeller Shaft Joint     | 12  | 0822-106 | 1       | Gear, Secondary Driven         |                       |
| 2   | 1402-164 | 1       | Joint, Universal - Set (inc. 3) | 13  | 0819-011 | 1       | Ring, Driven Bearing           |                       |
| 3   | 0423-450 | 4       | ● Ring, Retaining               | 14  | 0819-053 | 1       | Shaft, Secondary Driven - Rear |                       |
| 4   | 0827-013 | 2       | Nut                             | 15  | 0819-005 | 1       | Flange, Output Joint           |                       |
| 5   | 0828-020 | 2       | Washer                          | 16  | 0822-067 | 1       | Shaft, Output                  |                       |
| 6   | 0819-061 | 1       | Yoke, Drive Output              | 17  | 0822-009 | 1       | Gear, Driven                   |                       |
| 7   | 0830-043 | 2       | Seal, Oil                       | 18  | 0828-030 | AR      | Shim, 24 x 48 x 0.25 mm        |                       |
| 8   | 0832-017 | 2       | Bearing                         |     | 0828-031 | AR      | Shim, 24 x 48 x 0.30 mm        |                       |
| 9   | 0828-021 | AR      | Shim, 25 x 34 x 0.25 mm         |     | 0828-032 | AR      | Shim, 24 x 48 x 0.35 mm        |                       |
|     | 0828-022 | AR      | Shim, 25 x 34 x 0.30 mm         |     | 0828-033 | AR      | Shim, 24 x 48 x 0.90 mm        |                       |
|     | 0828-023 | AR      | Shim, 25 x 34 x 0.70 mm         |     | 0828-018 | AR      | Shim, 24 x 48 x 0.95 mm        |                       |
|     | 0828-024 | AR      | Shim, 25 x 34 x 0.90 mm         |     | 0828-062 | AR      | Shim, 24 x 48 x 1.00 mm        |                       |
|     | 0828-025 | AR      | Shim, 25 x 34 x 0.95 mm         |     | 0828-063 | AR      | Shim, 24 x 48 x 1.05 mm        |                       |
|     | 0828-026 | AR      | Shim, 25 x 34 x 1.00 mm         |     | 0828-064 | AR      | Shim, 24 x 48 x 1.10 mm        |                       |
|     | 0828-027 | AR      | Shim, 25 x 34 x 1.05 mm         |     | 0828-065 | AR      | Shim, 24 x 48 x 1.15 mm        |                       |
|     | 0828-028 | AR      | Shim, 25 x 34 x 1.10 mm         | 19  | 0822-127 | X       | 1                              | Gear, Secondary Drive |
|     | 0828-029 | AR      | Shim, 25 x 34 x 1.15 mm         | 20  | 0828-019 | 1       | Waher, Thrust                  |                       |
| 10  | 0819-115 | 1       | Shaft, Secondary Driven - Front | 21  | 0827-012 | 1       | Nut                            |                       |
| 11  | 0832-016 | 1       | Bearing                         |     |          |         |                                |                       |



## MAGNETO ASSEMBLY

0746-613

| Ref | Part No. | New Qty | Description    | Ref | Part No. | New Qty | Description       |
|-----|----------|---------|----------------|-----|----------|---------|-------------------|
| 1   | 0802-048 | 1       | Rotor/Flywheel | 5   | 0802-041 | 1       | Stator - Assembly |
| 2   | 0829-012 | 1       | Key            | 6   | 8470-510 | 1       | Screw, Machine    |
| 3   | 0827-014 | 1       | Nut            | 7   | 0802-015 | 1       | Clamp - No. 1     |
| 4   | 8409-632 | 3       | Screw, Cap     |     |          |         |                   |

