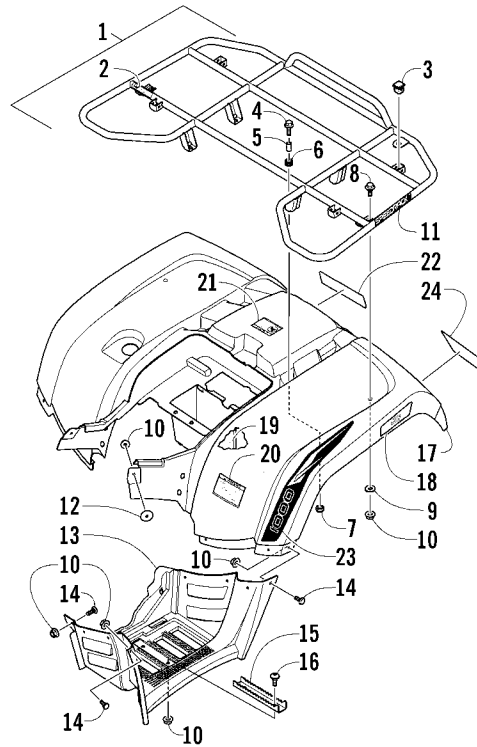


FRONT RACK, BODY PANEL, AND HEADLIGHT ASSEMBLIES

0746-995

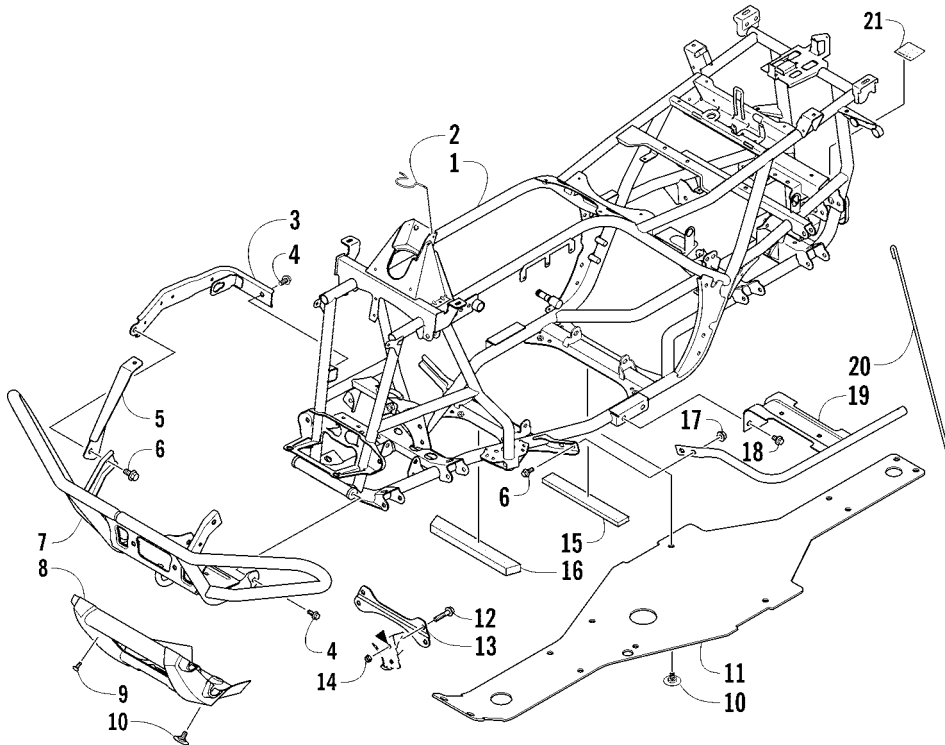
Ref	Part No.	New Qty	Description	Ref	Part No.	New Qty	Description
1	2506-106	1	Rack, Front - Assembly (inc. 2-3)	23	0623-362	4	Rivet, Reinstallable
2	0411-576	1	● Decal, Warning - Load	24	1406-484	1	Cover, Steering Post
3	0441-592	4	● Bushing	25	0470-513	1	Cover, Storage Box
4	8410-830	4	Screw, Cap	26	1406-573	1	Box, Storage
5	0423-669	4	Spacer	27	2506-234	1	Lid, Storage Box w/Latch (inc. 28-29)
6	0423-465	4	Grommet	28	1406-599	1	● Latch, Storage Box
7	8432-802	4	Nut, Lock	29	0470-514	1	● Lid, Storage Box
8	0423-654	2	Screw, Shoulder	30	0423-101	2	Screw, Shoulder
9	8050-222	2	Washer	31	2516-607	1	Panel, Fender - Assembly - White (inc. 32-38)
10	8427-602	2	Nut, Lock	32	0411-818	1	● Decal, Reflector - Right - Amber
11	0509-044	1	Headlight Assembly - Right (inc. 12)		0411-819	1	● Decal, Reflector - Left - Amber
	0509-035	1	Headlight Assembly - Left (inc. 12)	33	1411-574	1	● Decal, Warning - Off-Road Only
12	0409-055	4	● Bulb, Headlight	34	1411-804	1	● Decal, Warning - Age
13	0423-514	2	Stud, Adjuster - Headlight	35	1411-932	1	● Decal, Warning - General
14	0423-522	2	Spring, Adjuster	36	0411-835	1	● Decal, Warning - Turn/Hill
15	0423-513	2	Knob, Adjuster	37	1411-906	1	● Decal, Warning - Throttle
16	0623-785	4	Screw, Self-Tapping	38	1411-250	1	● Decal, Warning - Reverse/Pre-Ride
17	8050-217	8	Washer	39	1411-725	1	Decal, "Arctic Cat"
18	0423-447	4	Grommet	40	3411-074	X	Decal, Side - Front Right
19	2406-588	1	Panel, Side - Lower - Right		3411-075	X	Decal, Side - Front Left
	2406-589	1	Panel, Side - Lower - Left	41	3411-264	X	Decal, "EFI"
20	0423-678	8	Grommet	42	3411-034	X	Decal, Side - Upper Right
21	1406-358	1	Cover, Access		3411-035	X	Decal, Side - Upper Left
22	0423-535	2	Rivet, Reinstallable				



REAR RACK, BODY PANEL, AND FOOTWELL ASSEMBLIES

0746-994

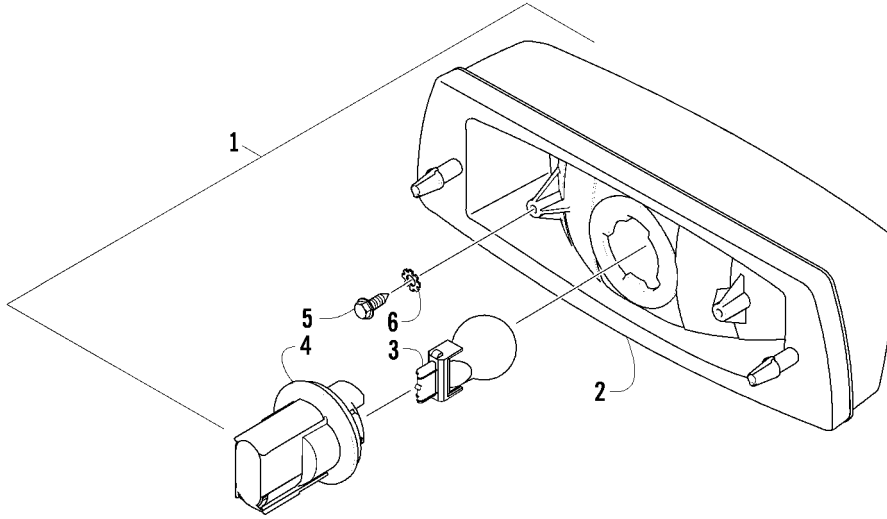
Ref	Part No.	New	Qty	Description	Ref	Part No.	New	Qty	Description
1	2506-125		1	Rack, Rear - Assembly (inc. 2-3)	14	0423-419		18	Screw, Machine
2	0411-648		1	● Decal, Warning - Load	15	1506-125		2	Footpeg
3	0441-592		4	● Bushing	16	0423-355		4	Screw, Shoulder
4	8410-830		4	Screw, Cap	17	2516-952		1	Panel, Fender - Assembly - Black (inc. 18-21)
5	0423-669		4	Spacer	18	1411-592		1	● Decal, Reflector - Right - Red
6	0423-465		4	Grommet		1411-593		1	● Decal, Reflector - Left - Red
7	8432-802		4	Nut, Lock		0470-658		1	● Foil, Protective
8	0423-654		2	Screw, Shoulder	19	2411-143		1	● Decal, Warning - Tire Pressure
9	8050-222		2	Washer	20	1411-809		1	● Decal, Passenger
10	8427-602		26	Nut, Lock	21	1411-725		1	Decal, "Arctic Cat"
11	0411-965		2	Decal, "Speedrack"	22	3411-076	X	1	Decal, Side - Lower Right
12	0423-101		2	Screw, Shoulder	23	3411-077	X	1	Decal, Side - Lower Left
13	2506-450		1	Footwell - Right	24	3411-239	X	1	Decal, "XT"
	1406-519		1	Footwell - Left					



FRAME AND RELATED PARTS

0746-184

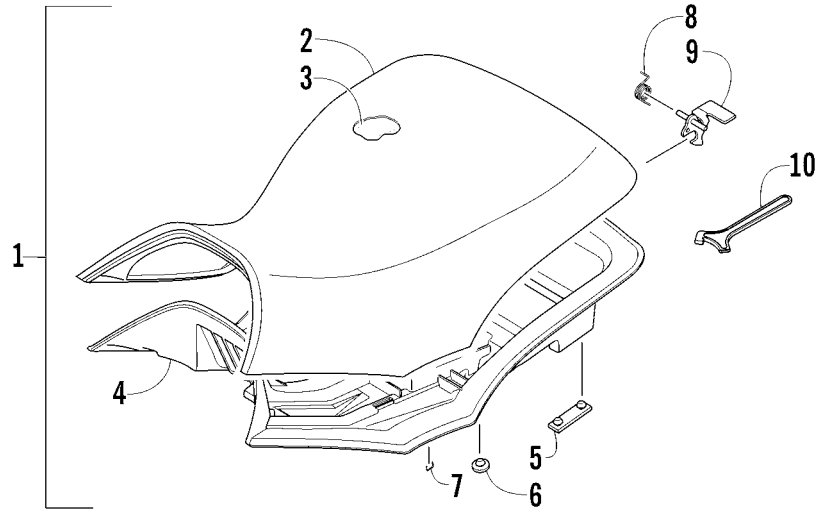
Ref	Part No.	New	Qty	Description	Ref	Part No.	New	Qty	Description
1	4506-855	X	1	Frame, Main	11	2406-648		1	Panel, Belly
2	2416-401		1	Clip, Routing	12	8409-025		2	Screw, Cap
3	2506-813		1	Channel, Mounting - Bumper - Right	13	2516-852		1	Brace, A-Arm
	2506-285		1	Channel, Mounting - Bumper - Left	14	0423-744		2	Nut, Lock
4	8409-020		4	Screw, Cap	15	0406-289		1	Pad, Foam
5	1506-562		1	Bracket, Mounting - Bumper - Right	16	2506-701		1	Pad, Foam
	1506-563		1	Bracket, Mounting - Bumper - Left	17	8424-802		4	Nut
6	8408-816		6	Screw, Cap	18	8409-016		4	Screw, Cap
7	1506-855		1	Bumper, Front	19	2506-449		1	Footrest - Right
8	1406-360		1	Fascia, Bumper - Front - Black		1506-379		1	Footrest - Left
9	0423-419		2	Screw, Machine	20	2506-423		2	Rod, Support
10	0423-101		12	Screw, Shoulder	21	1411-077		1	Decal, Warning - Towing



TAILLIGHT ASSEMBLY

0739-667

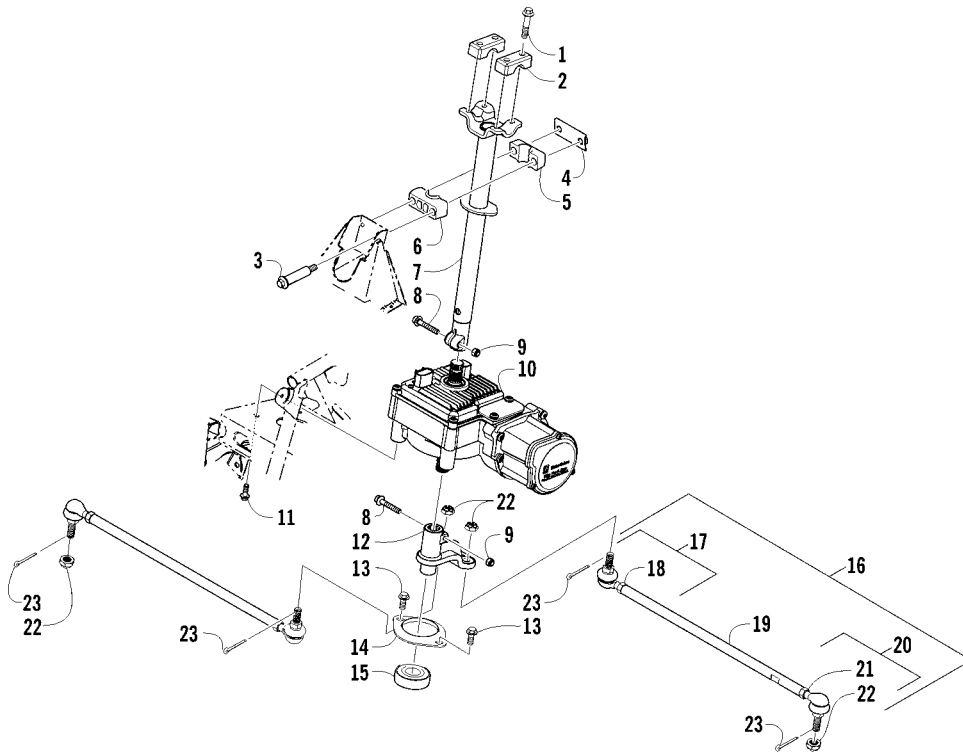
Ref	Part No.	New Qty	Description	Ref	Part No.	New Qty	Description
1	0509-022	1	Taillight Assembly (inc. 2-4)	4	0409-057	1	● Socket, Taillight
2	0509-025	1	● Housing, Taillight	5	0623-301	2	Screw, Self-Tapping
3	0409-056	1	● Bulb, Taillight	6	8053-212	2	Washer, External Tooth Lock



SEAT ASSEMBLY

0744-621

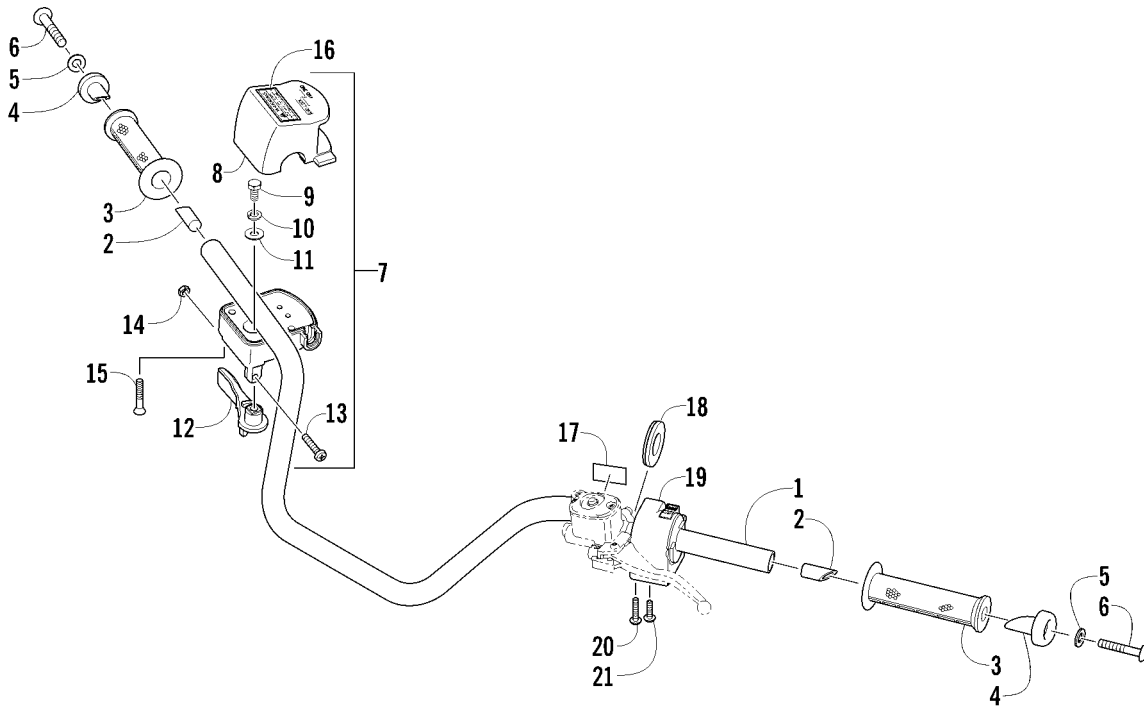
Ref	Part No.	New Qty	Description	Ref	Part No.	New Qty	Description
1	4506-558	1	Seat Assembly (inc. 2-9)	6	0406-877	4	●● Bumper, Seat - Front
2	1506-209	1	● Cover, Seat	7	0624-263	AR	● Staple
3	0517-119	1	● Foam, Seat	8	1406-592	1	● Spring, Seat Latch
4	2416-827	1	● Base, Seat - Assembly (inc. 5-6)	9	1506-156	1	● Latch, Seat
5	0406-879	2	●● Bumper, Seat - Rear	10	0441-587	1	Wrench, Spanner



STEERING ASSEMBLY

0745-117

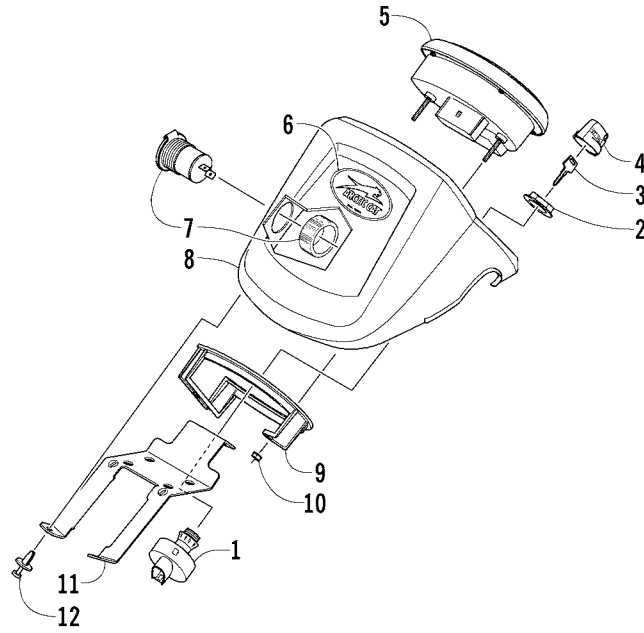
Ref	Part No.	New Qty	Description	Ref	Part No.	New Qty	Description
1	8408-835	4	Screw, Cap	14	0602-233	1	Flange, Bearing
2	0405-035	2	Cap, Steering Adjuster	15	0405-052	1	Bearing w/Inverted Oil Seal
3	0423-505	2	Screw, Shoulder	16	0505-499	2	Tie Rod - Assembly (inc. 17-21)
4	0505-484	1	Cap, Housing	17	0505-511	2	● End, Tie Rod - Left-Hand Thread - Kit (inc. 18)
5	0405-260	1	Housing, Upper	18	0423-013	2	●● Nut - Left-Hand Thread
6	0405-259	1	Housing, Lower	19	0405-281	2	● Tie Rod
7	0505-642	1	Post, Steering	20	0505-510	2	● End, Tie Rod - Right-Hand Thread - Kit (inc. 21)
8	8020-045	2	Screw, Cap	21	8420-002	2	●● Nut - Right-Hand Thread
9	8040-366	2	Nut, Lock	22	0423-157	4	Nut, Lock
10	0505-806	X 1	Assembly, Electronic Power Steering	23	0623-175	4	Pin, Cotter
11	8409-020	4	Screw, Cap				
12	0505-664	1	Arm, Steering				
13	8408-816	2	Screw, Cap				



HANDLEBAR ASSEMBLY

0744-426

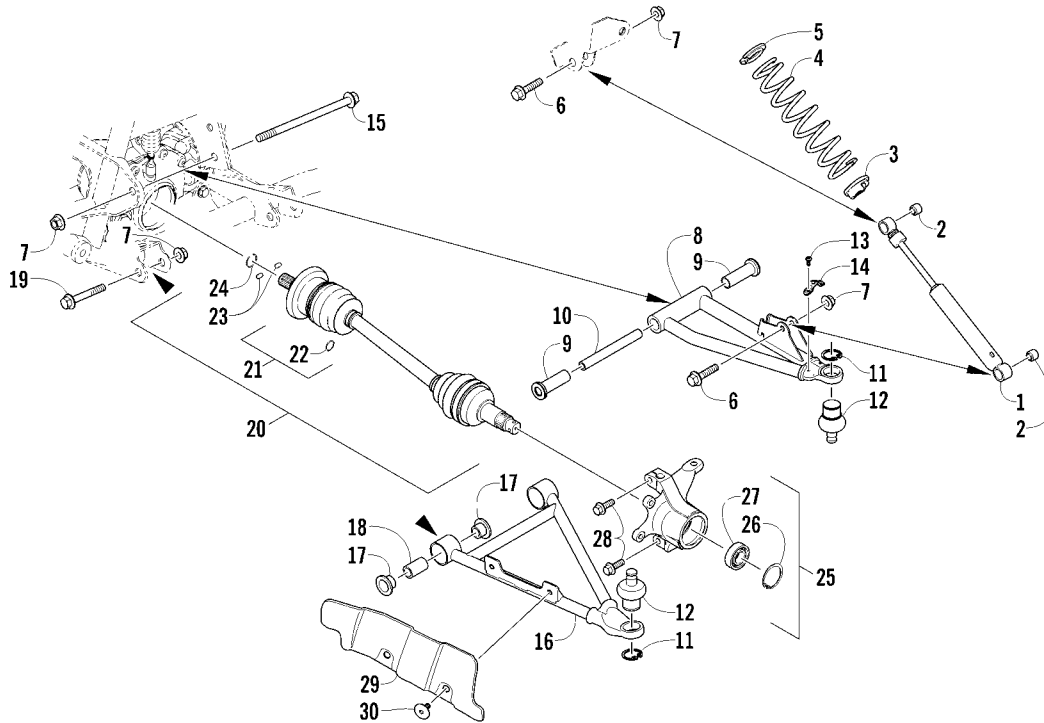
Ref	Part No.	New Qty	Description	Ref	Part No.	New Qty	Description
1	0505-418	1	Handlebar	12	0409-133	1	● Lever, Throttle
2	0405-218	2	Plug, Handlebar	13	3423-014	1	● Screw, Machine
3	0405-147	2	Grip, Handlebar	14	3423-327	1	● Nut
4	0405-149	2	End Cap, Handlebar	15	3423-199	2	● Screw, Machine
5	8050-247	2	Washer	16	0411-966	1	Decal, Warning - Differential Lock
6	8477-845	2	Screw, Machine	17	1411-865	1	Decal, Warning - Brake Lever Lock
7	0509-054	1	Case, Throttle - Assembly (inc. 8-15)	18	3409-019	1	Cover, Switch Housing
8	0409-141	1	● Cover, Throttle Case w/Switch	19	0509-014	1	Switch, Control - Assembly (inc. 20-21)
9	3007-392	1	● Screw, Cap	20	0409-028	1	● Screw, Machine
10	3004-447	1	● Washer, Lock	21	0409-027	1	● Screw, Machine
11	3003-030	1	● Washer				



INSTRUMENT POD ASSEMBLY

0746-654

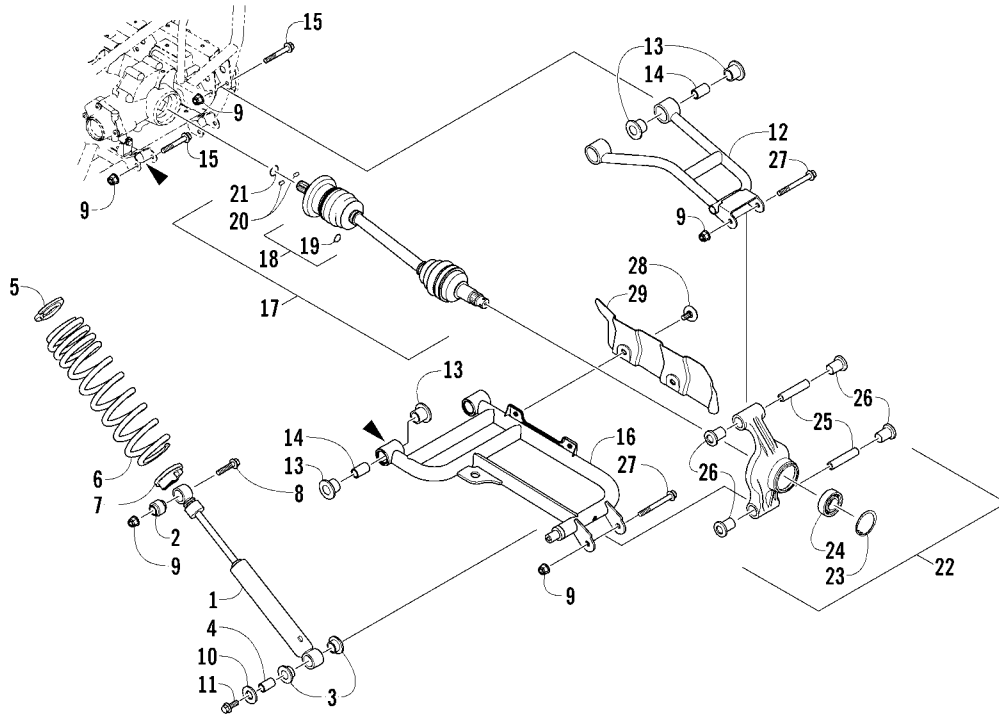
Ref	Part No.	New Qty	Description	Ref	Part No.	New Qty	Description
1	0430-090	1	Switch, Ignition - Assembly (inc. 2-4)	6	9611-751	X 1	Decal, "Arctic Cat"
2	0430-050	1	● Nut, Retaining	7	0641-897	1	Outlet, Accessory - 12V
3	0430-042	1	● Key, Ignition (Y Series - Left-Side Cut)	8	0505-590	1	Instrument Pod - Black
	0430-043	1	● Key, Ignition (Z Series - Right-Side Cut)	9	0420-065	1	Bracket, Retaining
4	0430-054	1	● Cover, Key	10	0423-493	2	Nut w/Washer
5	0520-101	1	Gauge, LCD	11	2506-470	1	Bracket, Mounting - Instrument Pod
				12	0423-535	2	Rivet, Reinstallable



FRONT SUSPENSION ASSEMBLY

0745-247

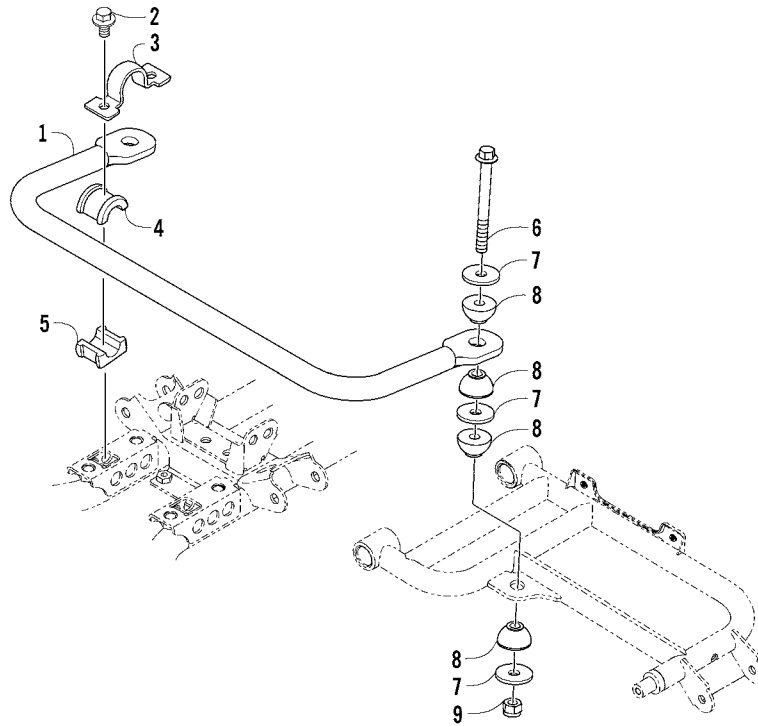
Ref	Part No.	New Qty	Description	Ref	Part No.	New Qty	Description
1	0403-188	2	Shock Absorber (inc. 2)	17	0403-208	8	● Bushing
2	0403-182	4	● Bushing	18	0403-214	4	● Axle
3	0403-288	X 2	Cam, Spring Adjuster	19	8409-075	4	Screw, Cap
4	0503-511	X 2	Spring, Suspension - White	20	1502-806	1	Axle, Drive - Right (inc. 21-24)
5	1603-889	2	Retainer, Spring	21	1502-805	1	Axle, Drive - Locking - Left (inc. 21-24)
6	8409-040	4	Screw, Cap	22	1436-410	2	● Repair Kit, Boot (inc. 22)
7	0423-744	10	Nut, Lock	23	1441-988	2	●● Clip, Retaining
8	0503-416	1	A-Arm, Upper Right - Black (inc. 9-12)	24	1402-885	4	● Pin, Detent
	0503-417	1	A-Arm, Upper Left - Black (inc. 9-12)	25	0505-578	1	● Clip, Retaining
9	0403-207	4	● Bushing	26	0505-579	1	Knuckle - Assembly - Right (inc. 26-27)
10	0403-080	2	● Axle	27	0423-423	2	Knuckle - Assembly - Left (inc. 26-27)
11	0423-009	4	● Ring, Retaining	28	1402-809	2	● Ring, Retaining
12	0405-483	4	● Ball Joint	29	0423-998	4	● Bearing
13	0423-946	4	Screw, Self-Tapping	30	1406-034	1	Screw, Shoulder
14	1502-594	2	Clamp, Routing		1406-035	1	Guard, Boot - Right - Black
15	0423-334	2	Screw, Cap		0423-545	4	Guard, Boot - Left - Black
16	0503-376	1	A-Arm, Lower Right - Black				Screw, Shoulder
			(inc. 17-18 and two No. 11-12)				
	0503-377	1	A-Arm, Lower Left - Black				
			(inc. 17-18 and two No. 11-12)				



REAR SUSPENSION ASSEMBLY

0746-655

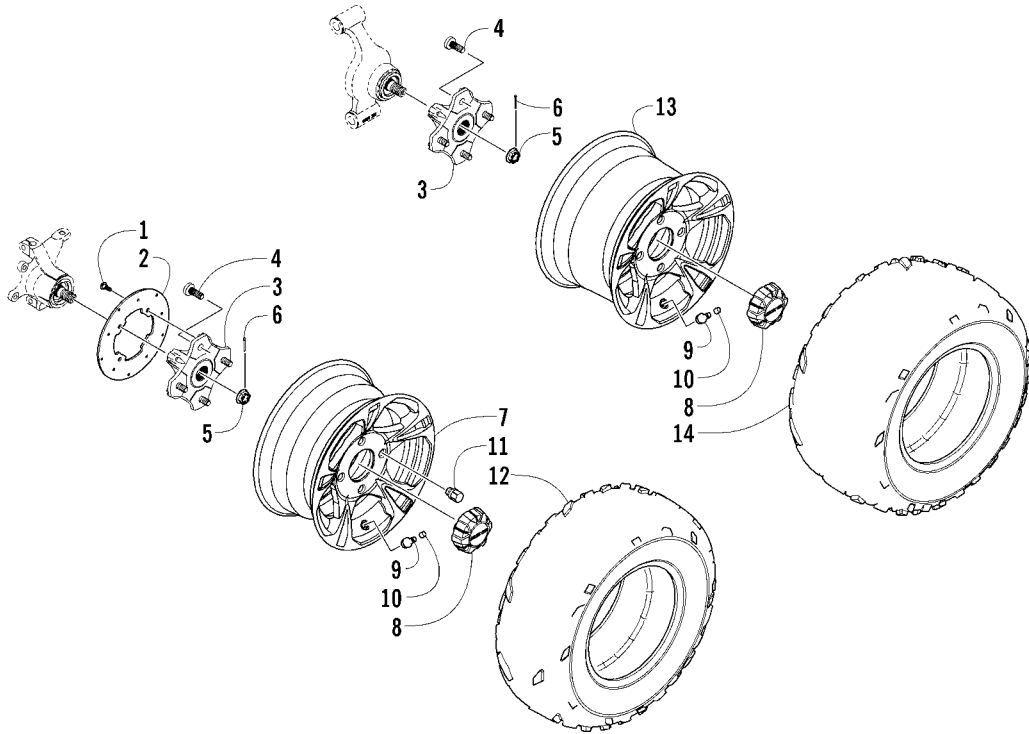
Ref	Part No.	New	Qty	Description	Ref	Part No.	New	Qty	Description
1	0404-274	X	2	Shock Absorber (inc. 2-4)	16	0504-718	X	1	A-Arm, Rear - Lower Right - Black (inc. 13-14)
2	0403-182		2	● Bushing		0504-719	X	1	A-Arm, Rear - Lower Left - Black (inc. 13-14)
3	0603-955		4	● Bushing	17	1502-804		2	Axle, Drive (inc. 18-21)
4	1603-219		2	● Sleeve	18	1436-410		2	● Repair Kit, Boot (inc. 19)
5	1603-889		2	Retainer, Spring	19	1441-988		2	● Clip, Retaining
6	0504-750	X	2	Spring, Suspension - White	20	1402-884		4	● Pin, Detent
7	0404-057		2	Cam, Spring Adjuster	21	1402-890		2	● Clip, Retaining
8	8409-040		1	Screw, Cap - Right	22	0504-550		1	Knuckle, Right - Assembly (inc. 23-26)
	8409-050		1	Screw, Cap - Left		0504-551		1	Knuckle, Left - Assembly (inc. 23-26)
9	0423-744		14	Nut, Lock	23	0423-423		2	● Ring, Retaining
10	0423-087		2	Washer	24	1402-809		2	● Bearing
11	8408-820		2	Screw, Cap	25	0403-213		4	● Axle
12	0504-582		1	A-Arm, Rear - Upper Right - Black (inc. 13-14)	26	0403-206		8	● Bushing
	0504-583		1	A-Arm, Rear - Upper Left - Black (inc. 13-14)	27	8409-000		4	Screw, Cap
13	0403-208		16	● Bushing	28	0423-545		4	Screw, Shoulder
14	0403-214		8	● Axle	29	1406-068		1	Guard, Boot - Rear - Right - Black
15	8409-075		8	Screw, Cap		1406-069		1	Guard, Boot - Rear - Left - Black



SWAYBAR ASSEMBLY

0746-656

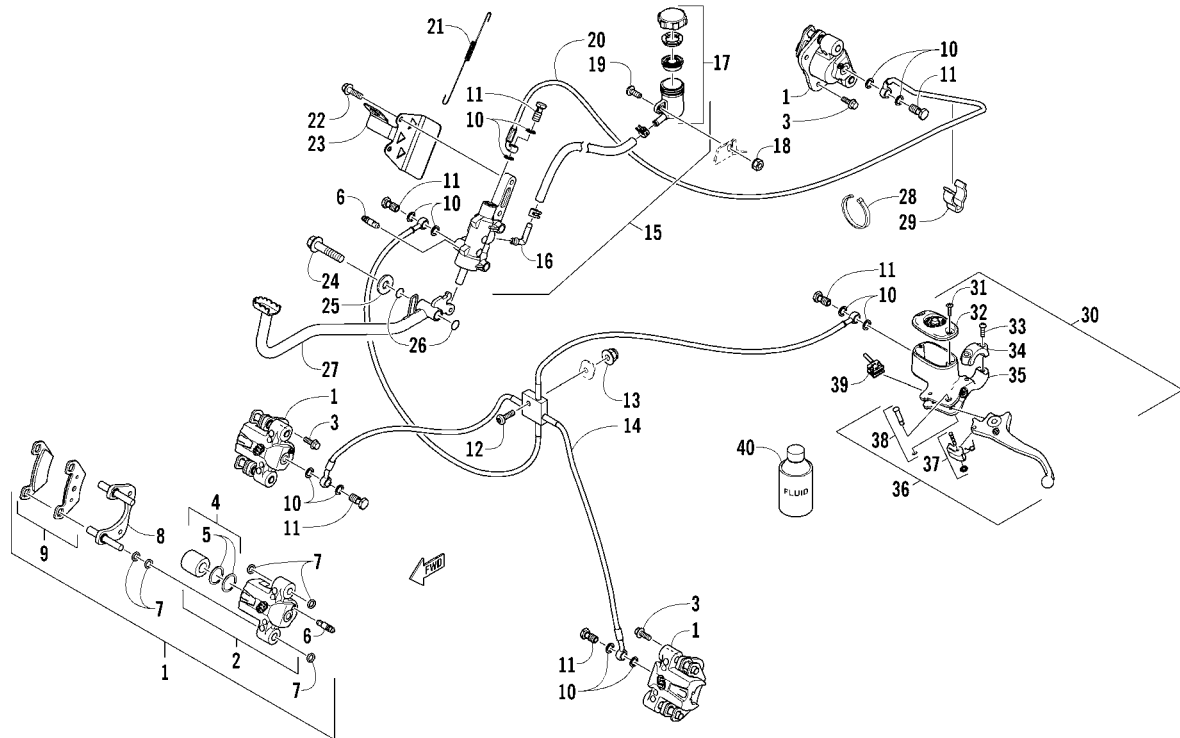
Ref	Part No.	New	Qty	Description	Ref	Part No.	New	Qty	Description
1	0504-709	X	1	Swaybar	6	8409-000		2	Screw, Cap
2	8409-016		4	Screw, Cap	7	0423-073		6	Washer
3	0404-135		2	Clamp, Retaining	8	1402-434		8	Bushing
4	0404-282	X	2	Bushing, Swaybar - Upper	9	8422-002		2	Nut, Lock
5	0404-283	X	2	Bushing, Swaybar - Lower					



WHEEL AND TIRE ASSEMBLY

0746-940

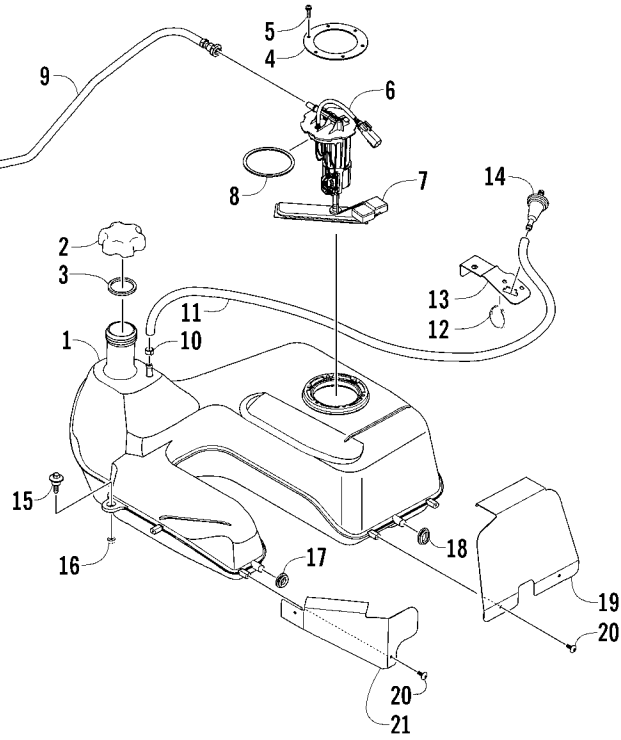
Ref	Part No.	New	Qty	Description	Ref	Part No.	New	Qty	Description
1	0423-557		12	Screw, Shoulder	8	2402-084	X	4	● Cap, Wheel
2	1436-808	X	3	Disc, Brake	9	0402-064		4	Stem, Valve (inc. 10)
3	1502-437		4	Hub, Wheel (inc. 4)	10	0402-140		4	● Cap, Valve Stem
4	0402-974		16	● Stud	11	0423-618		16	Nut, Lug - Chrome
5	0423-607		4	Nut, Castle	12	1402-935		2	Tire - Front
6	0423-407		4	Pin, Cotter	13	2402-069	X	2	Wheel - Rear - Aluminum (inc. 8)
7	2402-068	X	2	Wheel - Front - Aluminum (inc. 8)	14	1402-936		2	Tire - Rear



HYDRAULIC BRAKE ASSEMBLY

0747-187

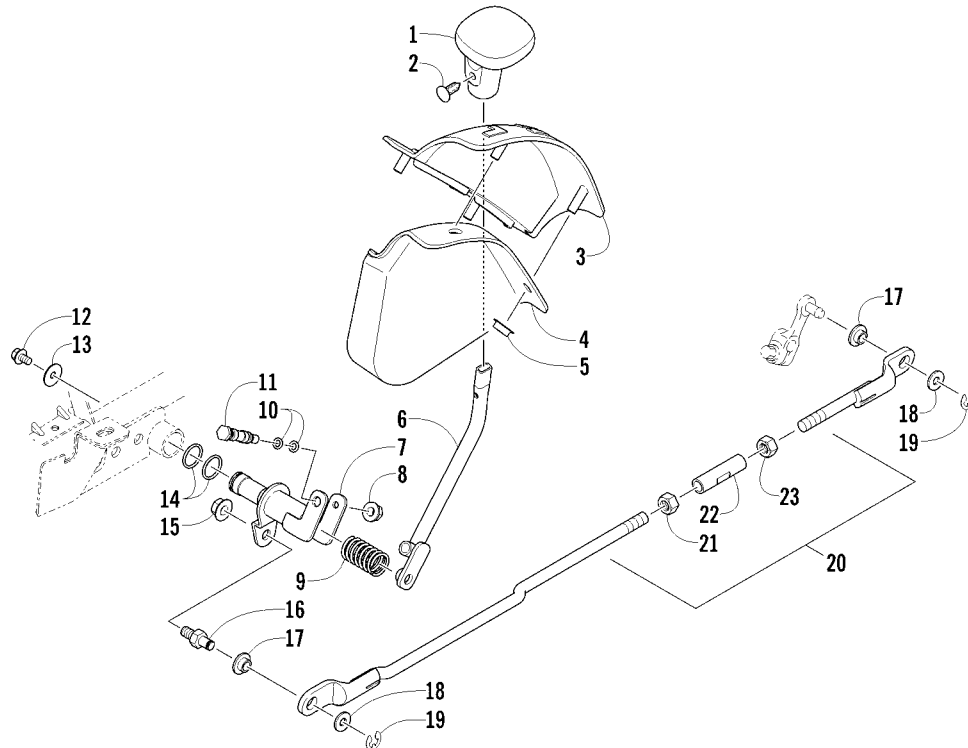
Ref	Part No.	New Qty	Description	Ref	Part No.	New Qty	Description
1	1436-422	1	Caliper, Brake - Right Front (inc. 2-9)	18	0623-038	1	Nut w/Washer
	1436-423	1	Caliper, Brake - Left Front (inc. 2-9)	19	8476-616	1	Screw, Machine
	1436-423	1	Caliper, Brake - Rear (inc. 2-9)	20	1502-593	1	Hose, Brakeline
2	1436-160	1	● Housing, Caliper - Assembly - Right Front (inc. 3-6)	21	0502-785	1	Spring, Brake Switch
	1436-161	1	● Housing, Caliper - Assembly - Left Front (inc. 3-6)	22	8408-625	2	Screw, Cap
	1436-161	1	● Housing, Caliper - Assembly - Rear (inc. 3-6)	23	1502-164	1	Bracket, Switch
3	8408-821	6	●● Screw, Cap	24	8408-816	1	Screw, Cap
4	0502-606	3	●●● Piston/Seal Set (inc. 5)	25	8050-252	1	Washer
5	0502-607	3	●●● Seal Set	26	1602-213	2	O-Ring
6	0502-609	4	●● Valve, Bleed	27	1502-162	1	Lever, Brake
7	0502-608	3	● O-Ring, Guide - Set	28	0123-788	AR	Tie, Cable - 8 in.
8	0502-605	3	● Bracket Assembly	29	1502-115	2	Clip, Brakeline Hose
9	1502-694	3	● Pad, Brake - Set	30	1502-902	1	Brake Assembly (inc. 31-39)
10	0423-178	12	Washer, Crush	31	0502-566	1	● Screw, Machine - Kit
11	0423-413	6	Bolt, Banjo-Fitting	32	0502-868	1	● Cover, Reservoir
12	8476-625	1	Screw, Machine	33	0502-568	1	● Screw, Machine - Kit
13	8427-602	1	Nut, Lock	34	0502-869	1	● Clamp, Master Cylinder
14	1502-015	1	Hose, Brakeline - Assembly	35	0502-704	1	● Master Cylinder Assembly
15	1502-293	1	Brake Assembly (inc. 16-17)	36	1502-904	1	● Lever Assembly - Kit (inc. 37-38)
16	1502-296	1	● Adapter, Hose	37	1502-905	1	●● Lock, Brake Lever - Kit
17	1502-155	1	● Reservoir, Brake w/Clamp	38	0502-580	1	●● Lever Pin - Kit
				39	0502-564	1	● Switch, Brake
				40	5639-848	X AR	Fluid, Brake - 12 oz



GAS TANK ASSEMBLY

0747-092

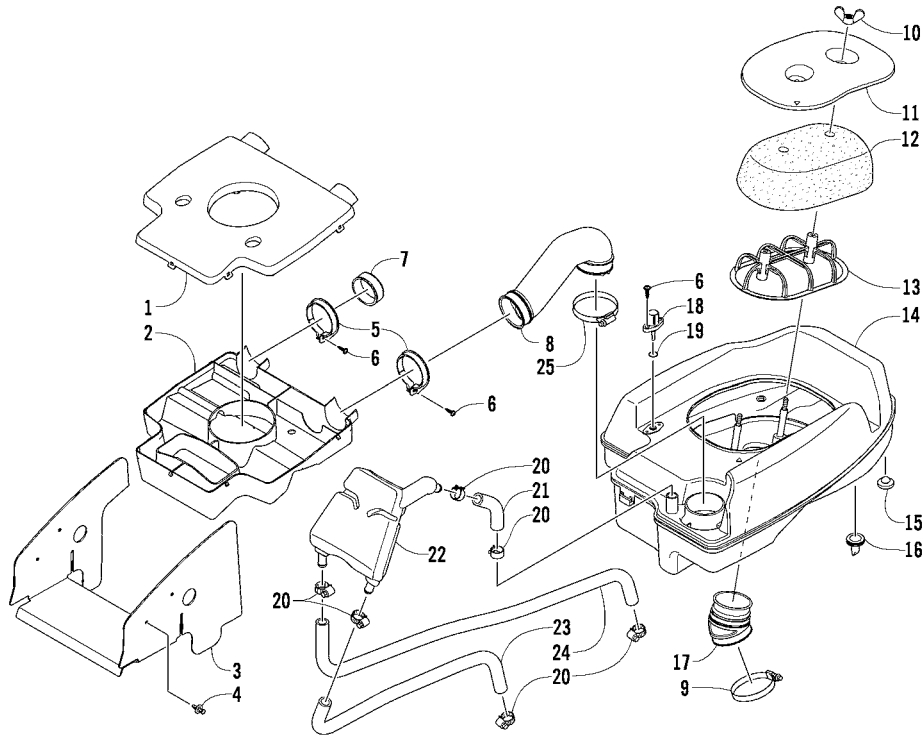
Ref	Part No.	New	Qty	Description	Ref	Part No.	New	Qty	Description
1	0570-307		1	Tank, Gas - Assembly (inc. 2-5)	12	0123-788		AR	Tie, Cable - 8 in.
2	0470-438		1	● Cap, Gas Tank (inc. 3)	13	0470-980	X	1	Bracket, Filter Mounting
3	0109-733		1	●● Gasket, Gas Tank Cap	14	0470-988	X	1	Filter, In-Line
4	2670-042		1	● Plate, Retaining	15	0423-732		2	Screw, Shoulder
5	0423-898		6	● Screw, Self-Tapping	16	0623-038		1	Nut w/Washer
6	0570-322		1	Pump, Fuel - Assembly (inc. 7-8)	17	0423-460		1	Grommet
7	2670-235		1	● Float	18	0423-806		1	Grommet
8	0470-838		1	● Seal	19	0470-710		1	Shield, Heat - Gas Tank - Rear
9	0570-278		1	Hose, Fuel - Assembly	20	0623-797		4	Screw, Self-Tapping
10	0423-688	AR		Clamp, Hose	21	0470-709		1	Shield, Heat - Gas Tank - Front
11	0410-070	AR		Hose, Gasline - 25 ft					



SHIFT LEVER ASSEMBLY

0745-046

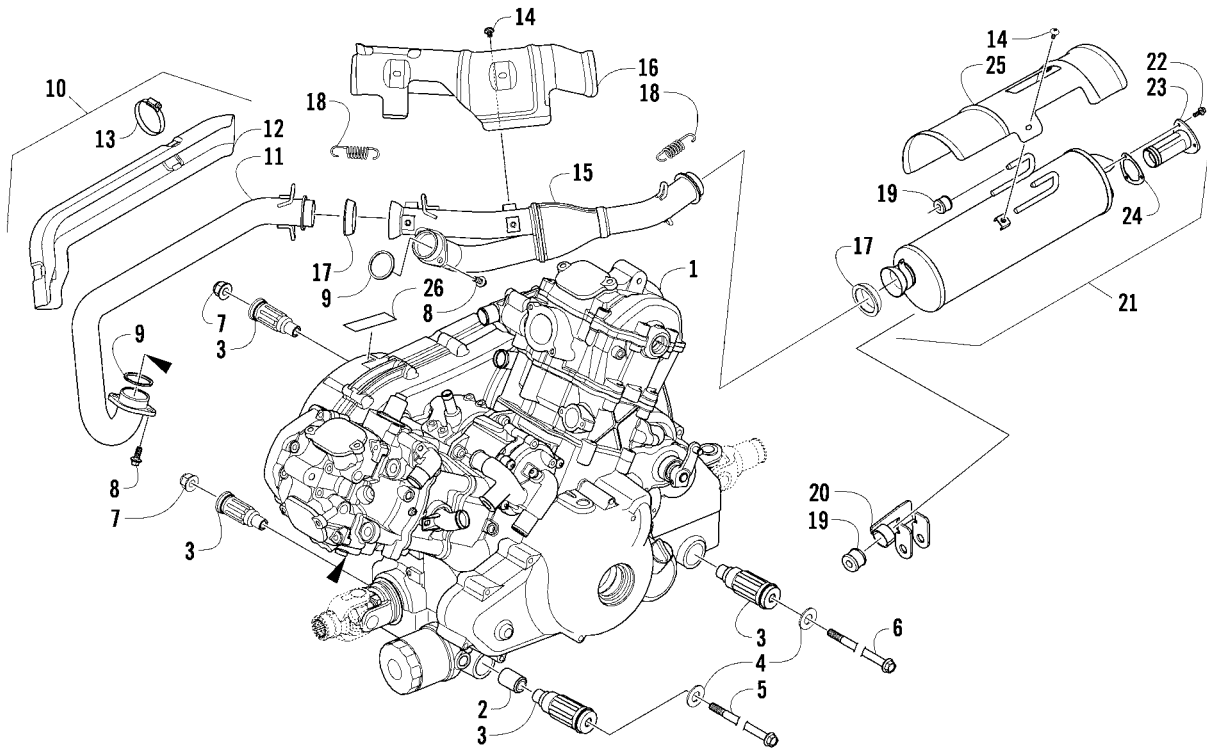
Ref	Part No.	New Qty	Description	Ref	Part No.	New Qty	Description
1	0402-843	1	Knob, Shift	13	0423-087	1	Washer
2	0423-345	1	Clip, Retaining	14	0423-299	2	O-Ring
3	1402-576	1	Plate, Shift	15	8424-802	1	Nut
4	2406-345	1	Shield, Shift Plate	16	1402-621	1	Pin, Mounting - Shift Linkage
5	0423-357	4	Nut, Stamped	17	0423-091	2	Bushing
6	1502-977	X 1	Lever, Shift	18	0623-094	2	Washer
7	1502-332	1	Actuator, Shift Lever	19	0423-169	2	E-Ring
8	8424-602	1	Nut	20	1502-227	1	Linkage, Shift - Assembly (inc. 21-23)
9	0402-678	1	Spring, Shift Lever	21	0623-294	1	● Nut, Hex - Right-Hand Thread
10	0423-182	2	O-Ring	22	1402-619	1	● Coupler
11	0402-675	1	Axle, Pivot	23	0123-917	1	● Nut, Hex - Left-Hand Thread
12	8408-812	1	Screw, Cap				



AIR INTAKE ASSEMBLY

0744-449

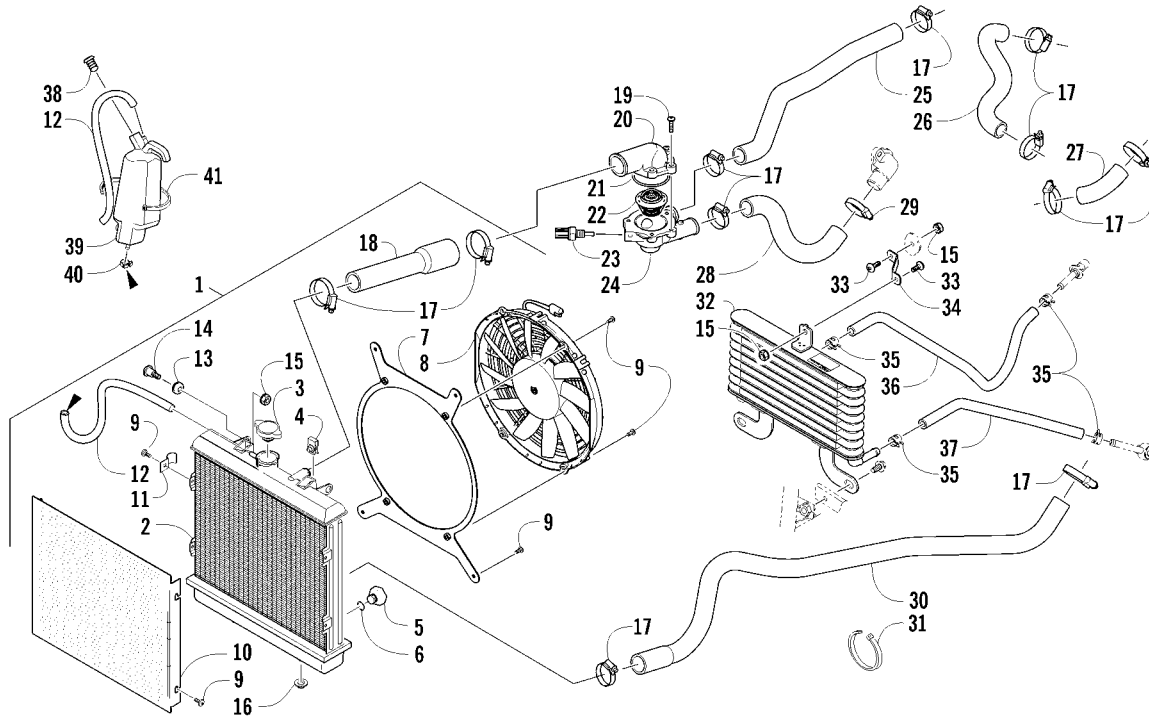
Ref	Part No.	New Qty	Description	Ref	Part No.	New Qty	Description
1	0413-091	1	Diverter, Air - Top	14	0570-221	1	Housing, Air Intake
2	0413-093	1	Diverter, Air - Bottom	15	0406-877	4	Bumper
3	2406-509	1	Shroud, Splash	16	0470-858	2	Valve, Drain
4	0623-362	2	Rivet, Reinstallable	17	0470-638	1	Boot, Throttle Body
5	0423-551	2	Clamp	18	0430-055	1	Sensor, Air Temperature (inc. 19)
6	0423-342	4	Screw, Self-Tapping	19	5507-224	1	● O-Ring
7	0413-096	1	Cap, Air Intake - Diverter	20	0623-028	6	Clamp, Hose
8	0470-583	1	Boot, Air Intake	21	0410-198	1	Hose, Separator Tank
9	0423-019	1	Clamp	22	0470-718	1	Tank, Separator
10	0423-716	2	Wing Nut	23	0410-196	1	Hose, Crankcase
11	0470-832	1	Cover, Air Intake	24	0410-208	1	Hose, Crankcase
12	0470-828	1	Filter, Air	25	0423-066	1	Clamp, Hose
13	0470-731	1	Support, Air Filter				



ENGINE AND EXHAUST

0742-236

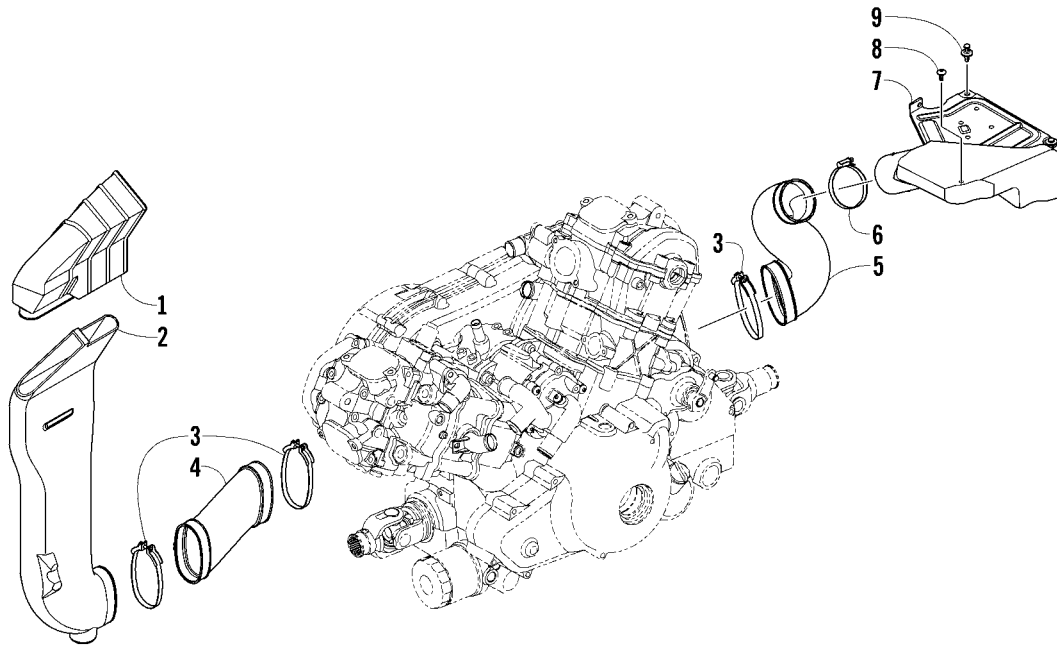
Ref	Part No.	New Qty	Description	Ref	Part No.	New Qty	Description
1	0800-097	1	Engine, A950H (inc. 2-3)	14	8477-610	7	Screw, Machine
2	0801-128	1	● Spacer, Engine Mount	15	0512-477	1	Pipe, Exhaust - Rear
3	0801-091	4	● Mount, Engine	16	0412-403	1	Shield, Exhaust Pipe - Rear
4	0423-426	2	Washer	17	0412-375	2	Seal, Exhaust Pipe
5	0423-734	1	Screw, Cap	18	0612-668	4	Spring, Extension
6	0423-451	1	Screw, Cap	19	0412-577	3	Bushing
7	8428-002	2	Nut, Lock	20	2506-631	1	Channel, Muffler Support
8	8408-820	4	Screw, Cap	21	0512-355	1	Muffler - Assembly (inc. 22-24)
9	0412-338	2	Gasket, Exhaust Pipe	22	8408-616	3	● Screw, Cap
10	0512-433	1	Pipe, Exhaust - Assembly (inc. 11-13)	23	0512-219	1	● Arrester, Spark - Assembly
11	0512-349	1	● Pipe, Exhaust	24	0412-313	1	● Gasket, Spark Arrester
12	0412-400	1	● Shield, Exhaust Pipe	25	0412-373	1	Cover, Muffler
13	0423-317	2	● Clamp	26	0411-426	1	Decal, Warning - Clutch Cover



COOLING ASSEMBLY

0745-017

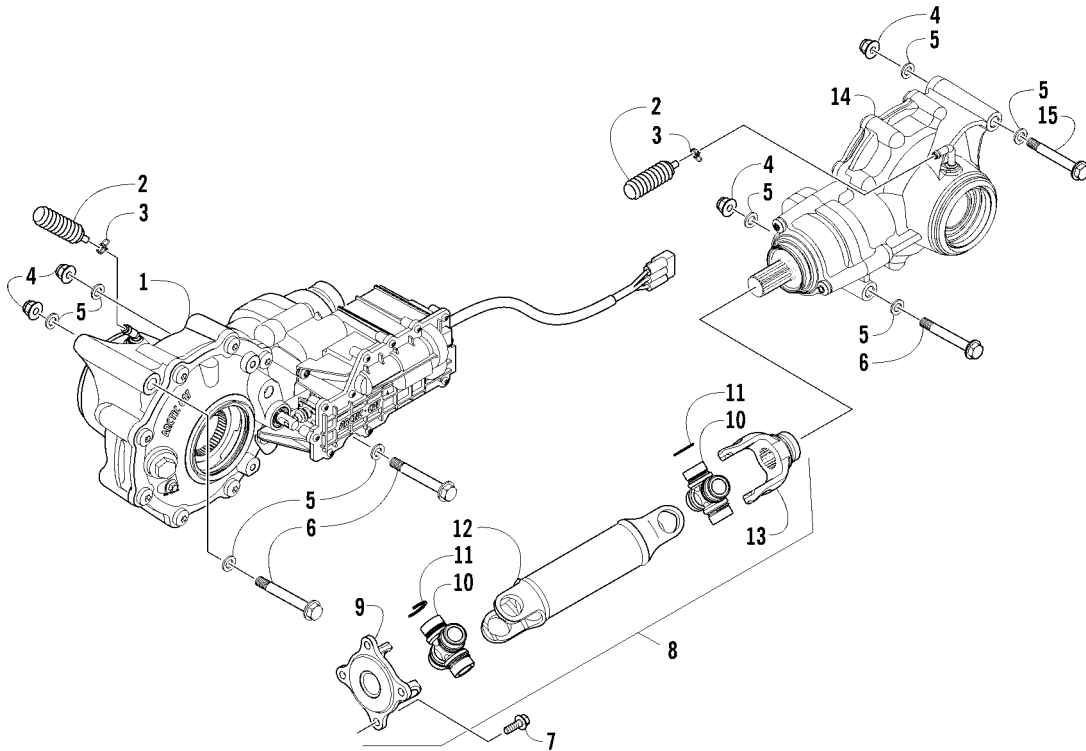
Ref	Part No.	New Qty	Description	Ref	Part No.	New Qty	Description
1	0413-258	1	Radiator Assembly (inc. 2-13)	21	0830-173	1	O-Ring
2	0413-216	1	● Radiator	22	0808-093	1	Thermostat
3	0413-255	1	● Cap, Radiator	23	0808-124	1	Sensor, Engine Coolant Temperature
4	1623-637	4	● Clip, U-Nut	24	0808-189	1	Housing, Thermostat
5	0413-195	1	● Plug, Drain	25	0410-195	1	Hose, Coolant - No. 2
6	1602-213	1	● O-Ring	26	0410-116	1	Hose, Coolant
7	0413-217	1	● Bracket, Mounting - Fan	27	0410-115	1	Hose, Coolant - Crossover
8	0413-123	1	● Fan, Cooling	28	0410-117	1	Hose, Coolant - No. 1
9	8470-510	12	● Screw, Machine	29	1623-093	1	Clamp, Hose
10	0413-214	1	● Screen, Radiator	30	0410-229	1	Hose, Coolant - Lower
11	0423-351	1	● Clamp, Wire	31	0623-751	AR	Tie, Cable - 11.5 in.
12	0610-011	AR	● Hose - 25 ft	32	0413-211	1	Cooler, Oil
13	0423-030	2	● Grommet	33	8476-612	2	Screw, Machine
14	0423-484	2	Screw, Shoulder	34	0513-022	1	Bracket, Mounting - Oil Cooler - Upper
15	0623-038	4	Nut w/Washer	35	0423-632	4	Clamp, Hose
16	0423-028	2	Bushing, Stem	36	0410-149	1	Hose, Oil Cooler - In
17	0423-496	11	Clamp, Hose	37	0410-219	1	Hose, Oil Cooler - Out
18	0410-120	1	Hose, Coolant - Radiator/Thermostat - Upper	38	0413-087	1	Plug
19	8470-520	4	Screw, Machine	39	0413-086	1	Bottle, Overflow
20	0808-092	1	Cover, Thermostat	40	0124-045	1	Clamp, Hose
				41	0623-316	AR	Tie, Cable - 14 in.



CASE/BELT COOLING ASSEMBLY

0744-451

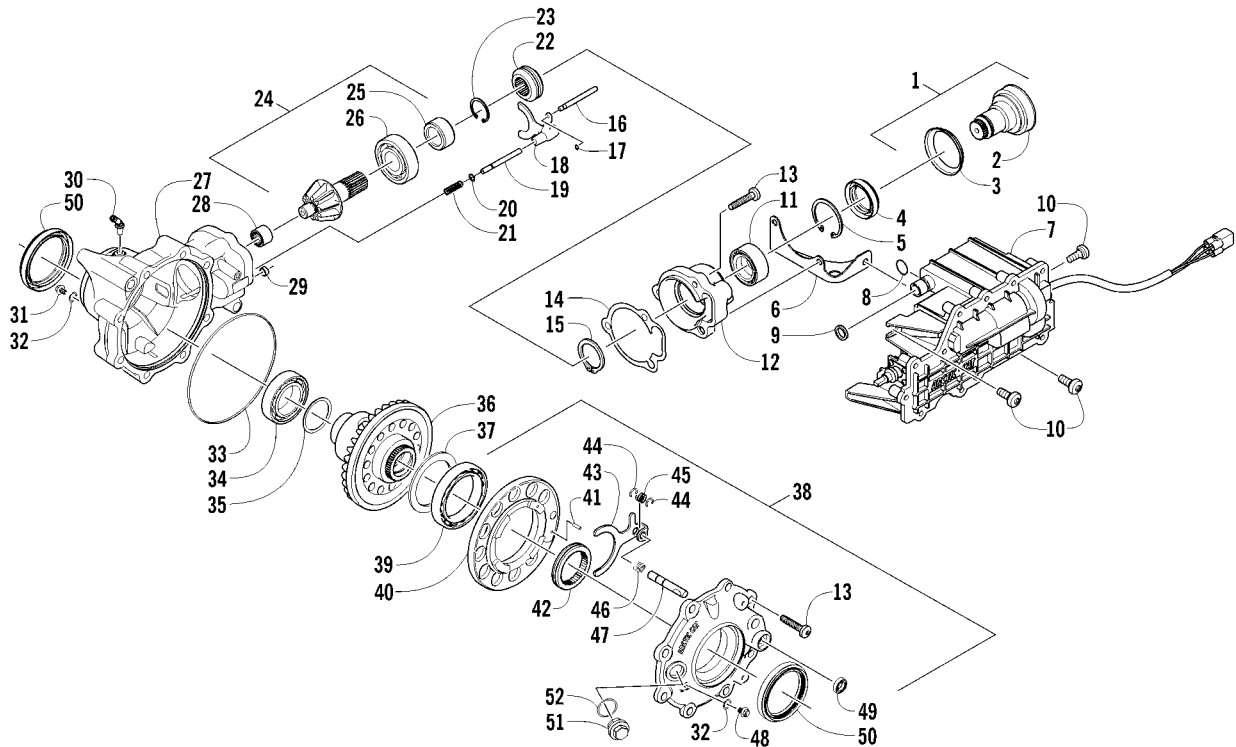
Ref	Part No.	New Qty	Description	Ref	Part No.	New Qty	Description
1	0413-137	1	Shroud, Air - Air In	6	0423-019	1	Clamp
2	0413-138	1	Duct, Cooling - Air In	7	0413-302	X 1	Duct, Cooling - Air Out
3	0423-730	3	Clamp	8	0623-797	1	Screw, Self-Tapping
4	0413-139	1	Boot, Cooling - Air In	9	0623-362	2	Rivet, Reinstallable
5	0413-135	1	Boot, Cooling - Air Out				



DRIVE TRAIN ASSEMBLY

0746-188

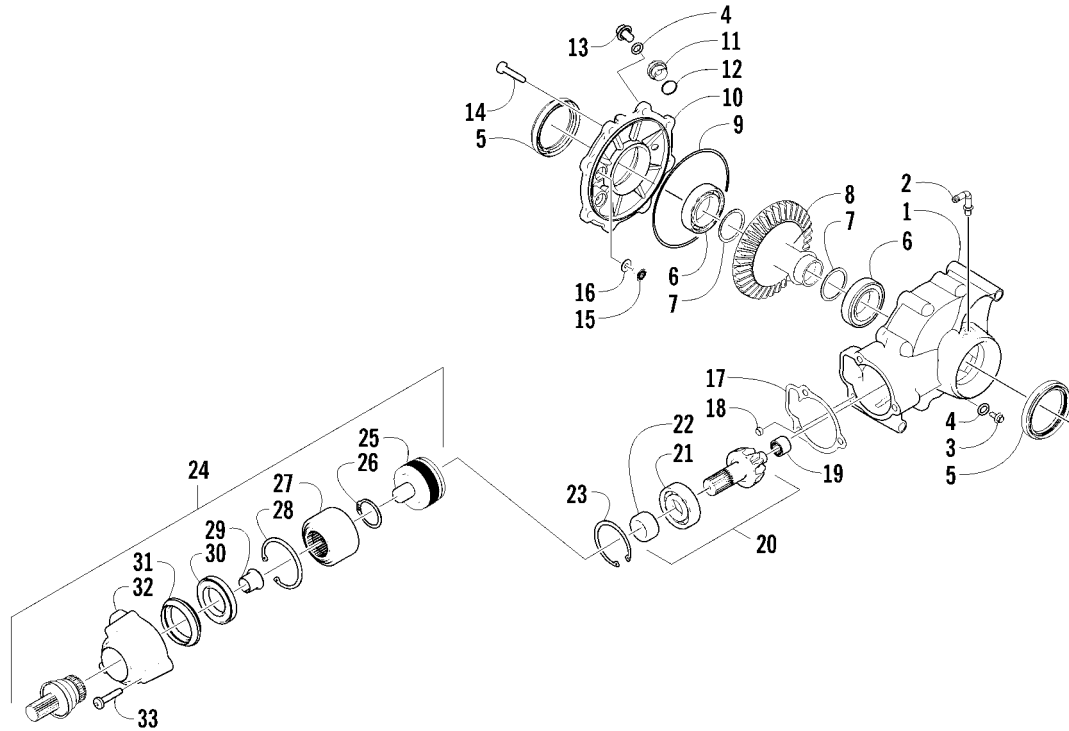
Ref	Part No.	New Qty	Description	Ref	Part No.	New Qty	Description
1	1502-882	1	Gearcase, Front	9	1402-689	1	● Yoke, Flange
2	1402-620	2	Bladder, Gearcase	10	0402-944	2	● Joint, Universal (inc.11)
3	0423-315	2	Clamp, Hose	11	0423-395	8	●● Ring, Retaining
4	8428-002	4	Nut, Lock	12	1502-099	1	● Driveshaft, Rear
5	0423-426	8	Washer	13	1402-567	1	● Yoke, Slip
6	0423-404	3	Screw, Cap	14	1502-883	1	Gearcase, Rear
7	8408-820	4	Screw, Cap	15	0423-830	1	Screw, Cap
8	1502-098	1	Driveshaft, Rear - Assembly (inc. 9-13)				



FRONT DRIVE GEARCASE ASSEMBLY

0746-189

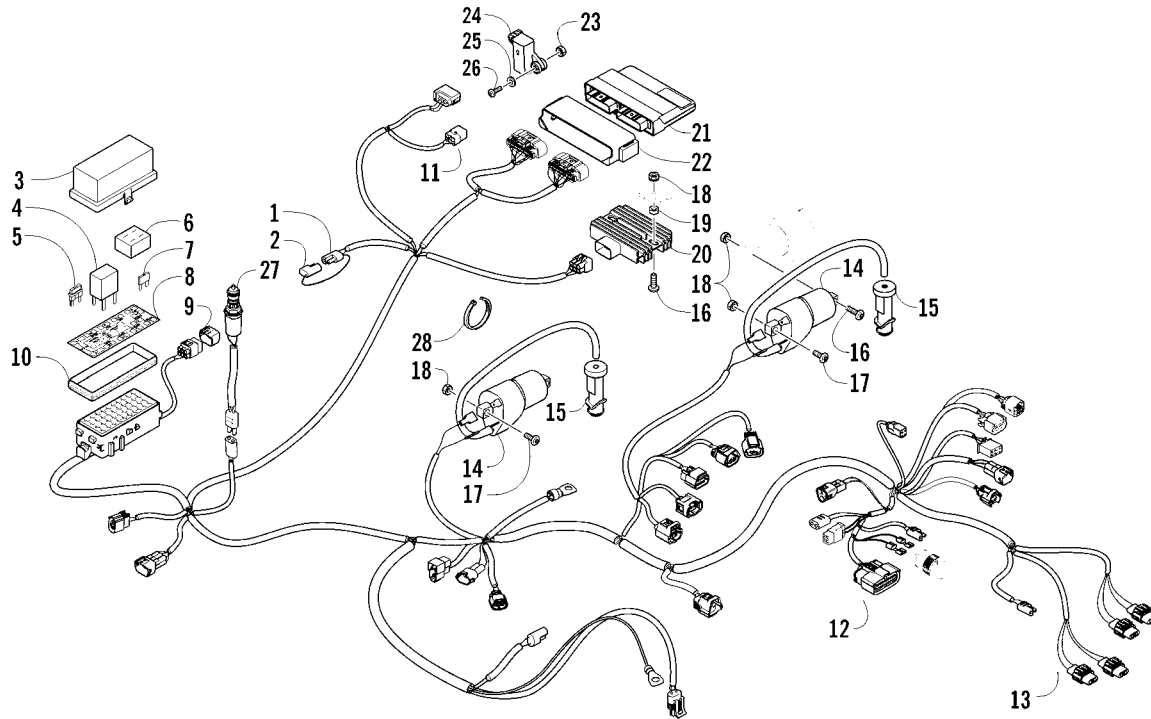
Ref	Part No.	New Qty	Description	Ref	Part No.	New Qty	Description
-	1502-882	1	Complete Front Drive Gearcase Assembly	30	1402-980	1	Fitting, Elbow
1	0502-923	1	Shaft, Propeller - Assembly (inc. 2-3)	31	1402-210	1	Plug, Magnetic (inc. one No. 32)
2	1402-438	1	● Shaft, Input	32	0423-153	2	● O-Ring
3	1402-168	1	● Deflector	33	0423-149	1	O-Ring
4	1402-011	1	Seal	34	0402-393	1	Bearing
5	0423-423	1	Ring, Retaining	35	0402-405	AR	Shim, 41 x 49 x 1.3 mm
6	1502-237	1	Bracket, Actuator		0402-406	AR	Shim, 41 x 49 x 1.4 mm
7	1502-909	1	Actuator (inc. 8)		0402-407	AR	Shim, 41 x 49 x 1.5 mm
8	1402-981	1	● O-Ring		0402-408	AR	Shim, 41 x 49 x 1.6 mm
9	0423-892	1	O-Ring		0402-409	AR	Shim, 41 x 49 x 1.7 mm
10	0423-396	3	Screw, Self-Tapping	36	1502-859	1	Gear, Ring - 34T
11	1402-043	1	Bearing	37	1402-074	AR	Shim, 61 x 69 x 1.3 mm
12	0502-528	1	Housing, Pinion		1402-075	AR	Shim, 61 x 69 x 1.4 mm
13	0423-118	11	Screw, Self-Tapping		1402-076	AR	Shim, 61 x 69 x 1.5 mm
14	0402-947	1	Gasket		1402-077	AR	Shim, 61 x 69 x 1.6 mm
15	0423-417	1	Ring, Retaining		1402-078	AR	Shim, 61 x 69 x 1.7 mm
16	0402-997	1	Shaft, Selector	38	1502-895	1	Cover, Gearcase (inc. one No. 32, 39-49 and one No. 50)
17	0423-402	1	Ring, Retaining	39	1402-053	1	● Bearing
18	0402-998	1	Fork, Selector	40	0502-413	1	● Flange, Bearing
19	0402-417	1	Shaft, Shuttle	41	1402-079	1	● Pin, Alignment
20	0423-147	1	O-Ring	42	1402-042	1	● Collar, Sliding
21	0402-999	1	Spring, Return	43	1402-054	1	● Fork
22	0402-413	1	Coupler, Drive	44	1402-058	2	● Ring, Retaining
23	1423-067	1	Ring, Retaining	45	1402-057	1	● Spring
24	1502-851	1	Gear, Pinion - Assembly - 11T (inc. 25-26)	46	1402-063	1	● Spring
25	1402-977	1	● Collar, Retaining	47	1402-656	1	● Shaft, Lock
26	0402-327	1	● Bearing	48	1402-211	1	● Plug, Oil Level (inc. one No. 32)
27	1502-856	1	Housing, Gearcase	49	1402-056	1	● Seal
28	0402-328	1	Bearing	50	1402-950	2	● Seal
29	0402-411	1	Pin, Dowel	51	0402-333	1	Plug, Fill (inc. 52)
				52	0423-154	1	● O-Ring



REAR DRIVE GEARCASE ASSEMBLY

0746-191

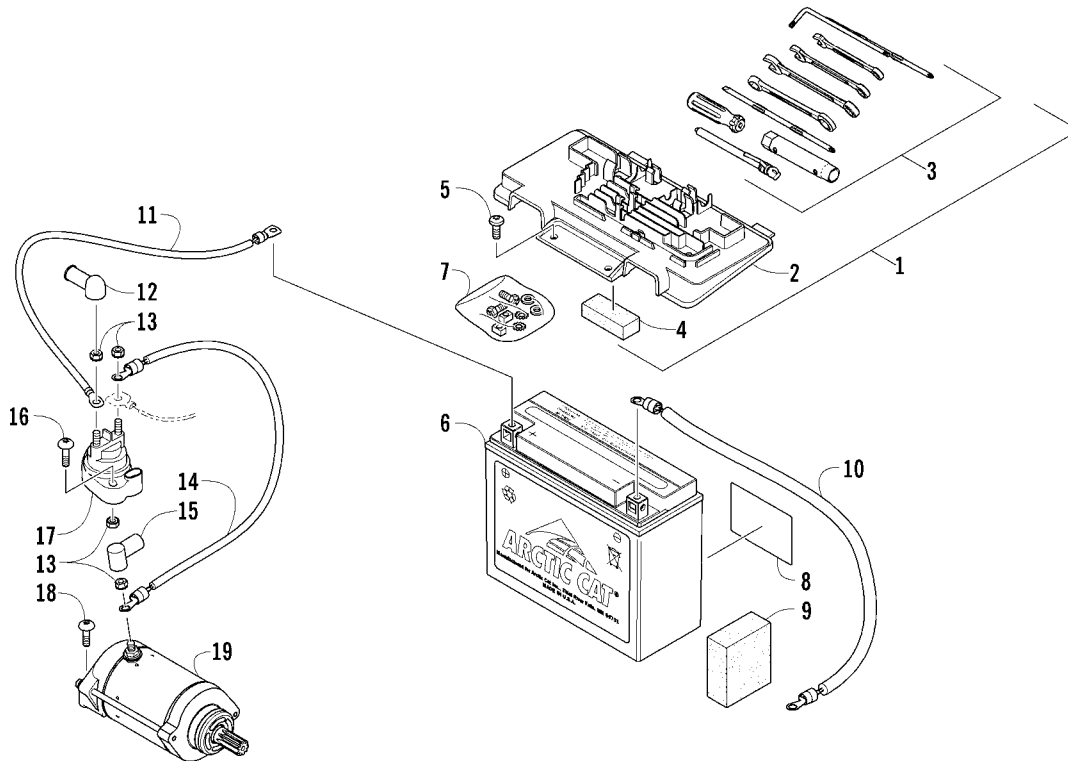
Ref	Part No.	New Qty	Description	Ref	Part No.	New Qty	Description
-	1502-883	1	Complete Rear Drive Gearcase Assembly	17	0402-947	1	Gasket
1	1502-896	1	Housing, Gearcase	18	0402-411	1	Pin, Dowel
2	1402-442	1	Fitting, Elbow	19	0402-328	1	Bearing
3	0402-450	1	Plug, Magnetic (inc. one No. 4)	20	1502-851	1	Gear, Pinion - Assembly - 11T (inc. 21-22)
4	0423-153	2	● O-Ring	21	0402-327	1	● Bearing
5	1402-950	2	Seal	22	1402-977	1	● Collar, Retaining
6	0402-393	2	Bearing	23	1423-067	1	Ring, Retaining
7	0402-405	AR	Shim, 41 x 49 x 1.3 mm	24	1502-655	1	Shaft, Input (inc. 25-32)
	0402-406	AR	Shim, 41 x 49 x 1.4 mm	25	1502-564	1	● Cartridge, Clutch - Assembly
	0402-407	AR	Shim, 41 x 49 x 1.5 mm	26	0423-799	1	● Ring, Retaining - External
	0402-408	AR	Shim, 41 x 49 x 1.6 mm	27	1402-682	1	● Basket, Clutch
	0402-409	AR	Shim, 41 x 49 x 1.7 mm	28	0423-798	1	● Ring, Retaining - Internal
8	1402-033	1	Gear, Ring - 34T	29	1402-678	1	● Bearing, Flange
9	0423-149	1	O-Ring	30	1402-677	1	● Bearing
10	1502-897	1	Cover, Gearcase	31	1402-687	1	● Seal
11	0402-333	1	Plug, Fill (inc. 12)	32	1502-285	1	● Housing, Input
12	0423-154	1	● O-Ring	33	0423-834	3	Screw, Self-Tapping
13	1402-211	1	Plug, Oil Level (inc. one No. 4)				
14	0423-118	8	Screw, Self-Tapping				
15	0402-326	1	Button, Thrust				
16	0402-429	AR	Shim, 6.3 x 18 x 1.3 mm				
	0402-430	AR	Shim, 6.3 x 18 x 1.4 mm				
	0402-431	AR	Shim, 6.3 x 18 x 1.5 mm				
	0402-432	AR	Shim, 6.3 x 18 x 1.6 mm				
	0402-433	AR	Shim, 6.3 x 18 x 1.7 mm				



WIRING HARNESS ASSEMBLY

0745-637

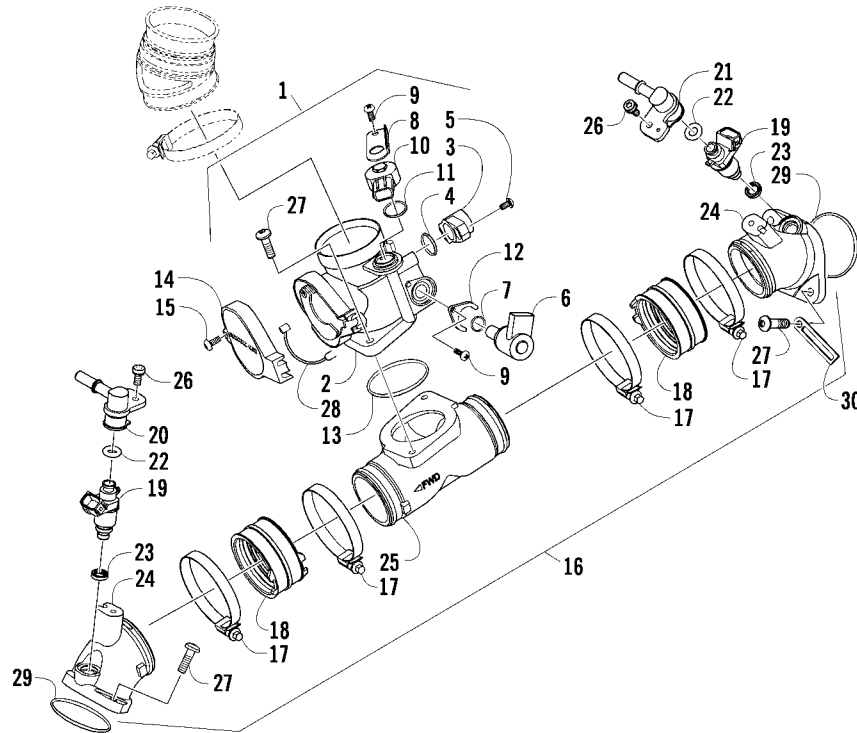
Ref	Part No.	New Qty	Description	Ref	Part No.	New Qty	Description
1	0486-390	1	Harness, Main (inc. 2-10)	15	0824-049	2	Cap, Spark Plug
2	0486-164	1	● Tether, Accessory Connector	16	8476-630	3	Screw, Machine
3	0430-085	1	● Cover, Fuse Block	17	8476-620	2	Screw, Machine
4	0430-045	6	● Relay (4-Pin) - 20 Amp	18	0623-038	5	Nut w/Washer
5	0430-034	2	● Diode	19	0423-036	2	Spacer
6	0430-037	1	● Holder, Fuse	20	0824-037	1	Regulator, Voltage
7	0430-032	5	● Fuse - 10 Amp	21	0530-033	1	ECM
	0430-031	4	● Fuse - 15 Amp	22	0430-059	1	Cushion, ECM
	0430-030	3	● Fuse - 30 Amp	23	0423-493	2	Nut w/Washer
8	2411-213	1	● Decal, Fuse Block	24	0409-064	1	Sensor, Tilt
9	0430-097	1	● Cover, Diagnostics Connector	25	0123-802	2	Washer
10	0430-086	1	● Seal	26	8468-425	2	Screw, Machine
11	1436-416	1	Repair Kit, Connector - Tilt Sensor	27	0409-089	1	Switch, Brake - Assembly
12	1436-415	1	Repair Kit, Connector - LCD Gauge	28	0123-788	AR	Tie, Cable - 8 in.
13	1436-289	AR	Repair Kit, Connector - Headlight		0123-903	AR	Tie, Cable - 11.5 in.
14	0824-043	2	Coil, Ignition - Assembly				



BATTERY AND STARTER ASSEMBLY

0746-943

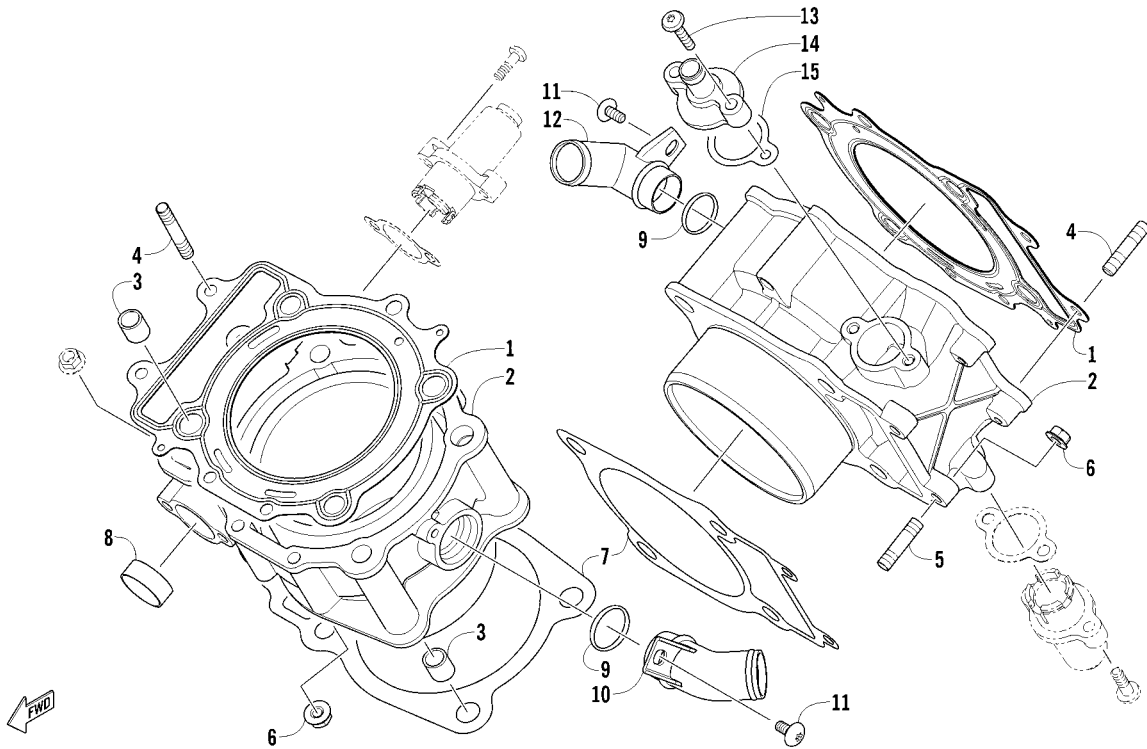
Ref	Part No.	New	Qty	Description	Ref	Part No.	New	Qty	Description
1	5993-040	X	1	Battery Cover/Tool Tray Assembly (inc. 2-4)	10	0445-063		1	Cable, Battery/Ground
2	4406-136	X	1	● Cover, Battery	11	0445-062		1	Cable, Battery/Soleniod
3	0444-122		1	● Kit, Tool	12	0645-327		1	Boot, Terminal
4	0417-016		1	● Pad, Foam	13	0623-038		5	Nut w/Washer
5	8476-620		2	Screw, Machine	14	0445-066		1	Cable, Solenoid/Starter (inc. 15)
6	0645-480		1	Battery Assembly (inc. 7-8)	15	0645-019		1	● Boot, Terminal
7	0445-082		1	● Kit, Hardware	16	8476-630		2	Screw, Machine
8	0645-430		1	● Decal, Warning	17	0445-058		1	Solenoid
9	0417-012		1	Pad, Foam	18	8476-625		2	Screw, Machine
					19	0825-015		1	Motor, Starter - Assembly



THROTTLE BODY ASSEMBLY

0742-977

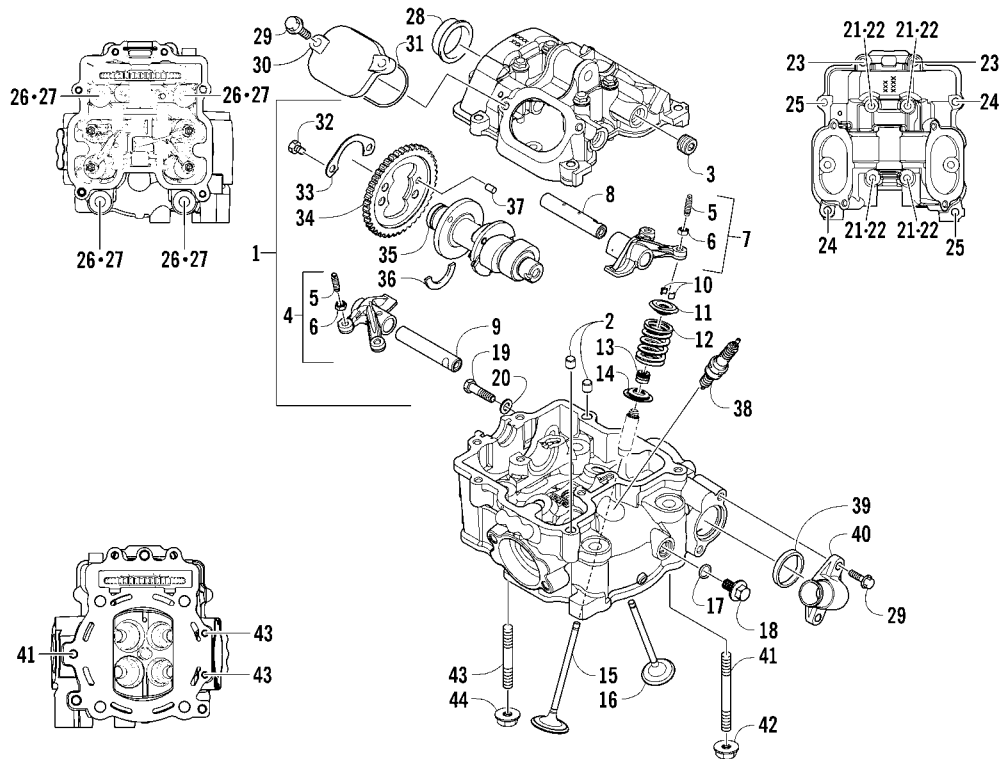
Ref	Part No.	New Qty	Description	Ref	Part No.	New Qty	Description
1	0470-686	1	Throttle - Assembly (inc. 2-15)	16	0570-230	1	Manifold, Intake - Assembly (inc. 17-26)
2	-	1	● Throttle Body - Not a Service Part	17	0423-066	4	● Clamp
3	0430-072	1	● Sensor, Throttle Position	18	0470-660	2	● Boot, Intake - Manifold
4	5507-234	1	● O-Ring, Throttle Position Sensor	19	0470-688	2	● Injector, Fuel
5	5507-231	1	● Screw, Machine	20	0470-763	1	● Rail, Fuel - Front Cylinder
6	0430-074	1	● Valve, ISC	21	0470-764	1	● Rail, Fuel - Rear Cylinder
7	5507-233	1	● O-Ring, ISC Valve	22	0470-767	2	● O-Ring, Fuel Injector
8	5507-227	1	● Bracket, MAP Sensor	23	0470-768	2	● Ring, Seal - Fuel Injector
9	5507-117	2	● Screw, Machine	24	0570-140	2	● Manifold, Intake
10	0430-073	1	● Sensor, MAP	25	0570-156	1	● Plenum, Intake
11	5507-232	1	● O-Ring, MAP Sensor	26	0423-371	2	● Screw, Machine
12	5507-229	1	● Plate, ISC Valve	27	0826-008	6	Screw, Machine
13	5507-235	1	● O-Ring	28	0487-046	1	Cable, Throttle
14	5507-223	1	● Cover	29	0830-090	2	O-Ring
15	5507-037	1	● Screw, Machine	30	1623-984	X 1	Clamp, Routing



CYLINDER ASSEMBLY

0745-047

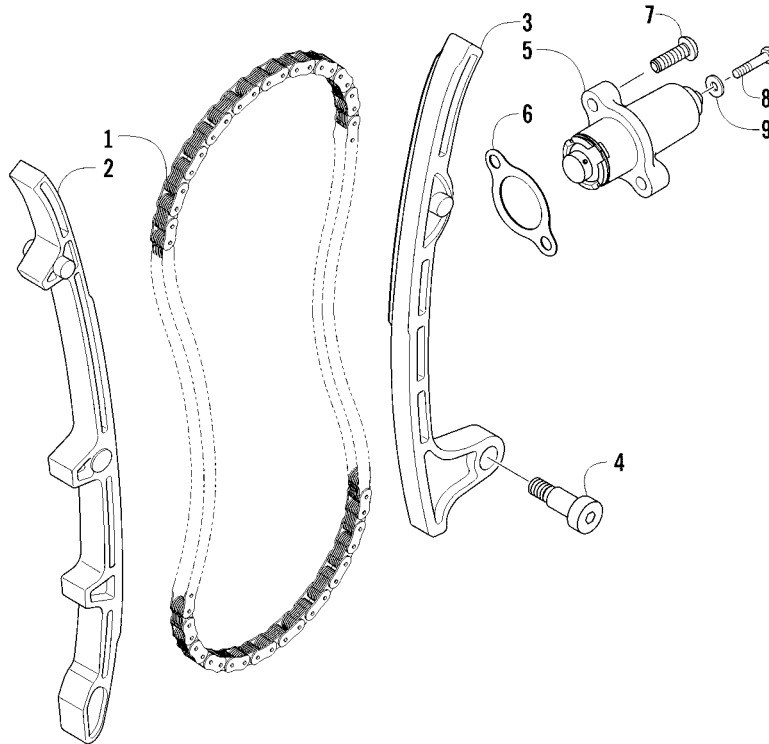
Ref	Part No.	New Qty	Description	Ref	Part No.	New Qty	Description
1	0830-209	2	Gasket, Head	9	0830-007	2	O-Ring
2	0804-031	2	Cylinder	10	0804-046	1	Union, Coolant Hose
3	0829-002	8	Pin, Dowel	11	8468-612	2	Screw, Machine
4	0827-002	4	Bolt, Stud	12	0804-030	1	Union, Coolant Hose
5	0827-018	4	Bolt, Stud	13	8468-620	2	Screw, Machine
6	8424-604	8	Nut	14	0801-174	1	Cover, Breather
7	0830-193	2	Gasket, Base	15	0830-134	1	Gasket
8	0804-037	1	Plug, Cylinder				



CYLINDER HEAD AND CAMSHAFT/VALVE ASSEMBLY

0746-494

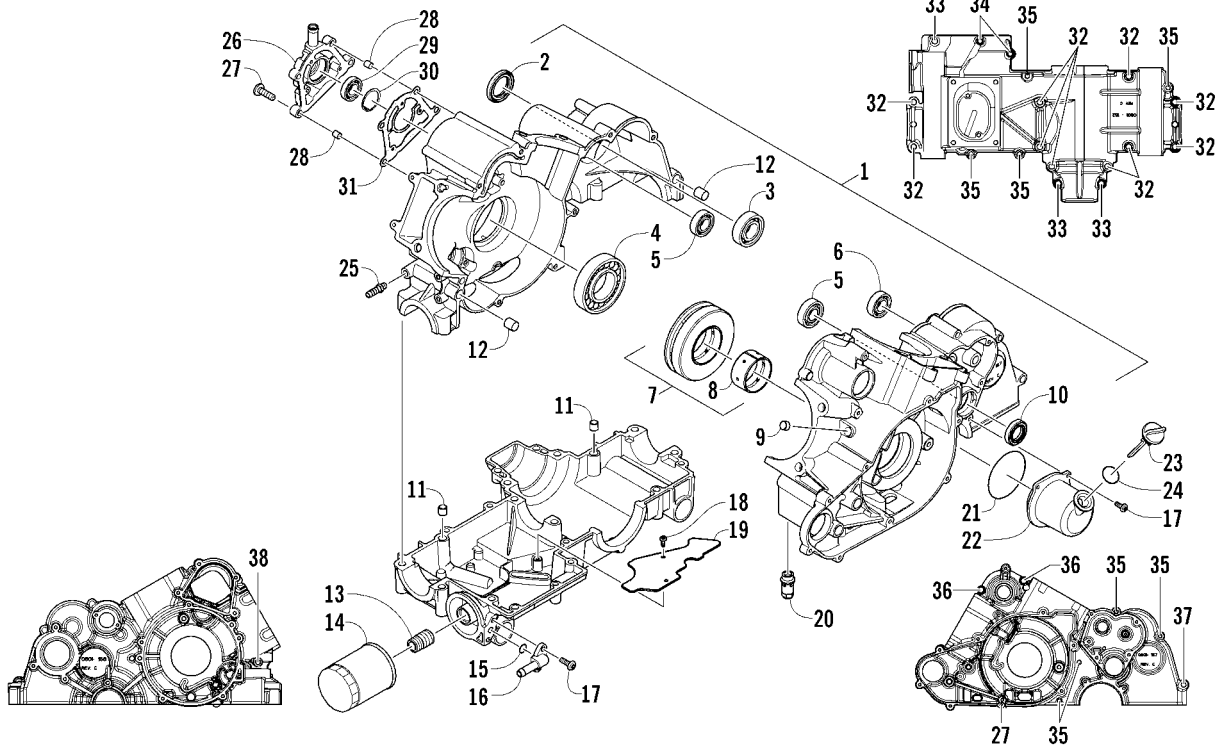
Ref	Part No.	New Qty	Description	Ref	Part No.	New Qty	Description
1	0808-216	2	Head, Cylinder - Assembly (inc. 2-21)	23	0826-002	4	Screw, Cap
2	0829-048	4	● Pin, Dowel	24	0826-005	4	Screw, Cap
3	0831-092	4	● Plug, Shaft	25	0826-006	4	Screw, Cap
4	0809-237	2	● Arm, Valve Rocker - Exhaust (inc. two No. 5-6)	26	0808-090	8	Screw, Cap
5	0809-240	8	●● Screw, Adjuster	27	0830-147	8	Washer
6	0827-059	8	●● Nut	28	0808-077	2	Plug, Cylinder Head
7	0809-234	2	● Arm, Valve Rocker - Intake (inc. two No. 5-6)	29	0826-007	12	Screw, Cap
8	0809-241	2	● Shaft, Rocker Arm - Intake	30	0808-003	4	Cap, Inspection
9	0809-242	2	● Shaft, Rocker Arm - Exhaust	31	0830-167	4	O-Ring
10	0809-233	16	● Cotter, Valve	32	0826-034	4	Screw, Cap
11	0809-232	8	● Retainer, Spring	33	0828-004	2	Plate, Retainer
12	0809-231	8	● Spring, Valve	34	0809-212	2	Sprocket
13	0830-186	8	● Seal, Oil	35	0809-246	1	Camshaft, Front Cylinder
14	0809-230	8	● Seat, Spring - Valve	36	0809-003	2	C-Ring
15	0809-228	4	● Valve, Intake	37	0829-049	2	Pin, Dowel
16	0809-229	4	● Valve, Exhaust	38	0217-799	2	Spark Plug - CPR8E
17	0830-213	2	● O-Ring	39	0830-120	2	Seal
18	0826-157	2	● Screw, Cap	40	0808-008	2	Cover, Thermostat
19	8400-812	2	● Screw, Cap	41	0827-062	2	Bolt, Stud
20	0830-025	2	● Washer, Crush	42	8424-804	2	Nut
21	0826-149	8	● Screw, Cap	43	0827-030	4	Bolt, Stud
22	0830-155	8	Gasket	44	8424-604	4	Nut



CAM CHAIN ASSEMBLY

0745-069

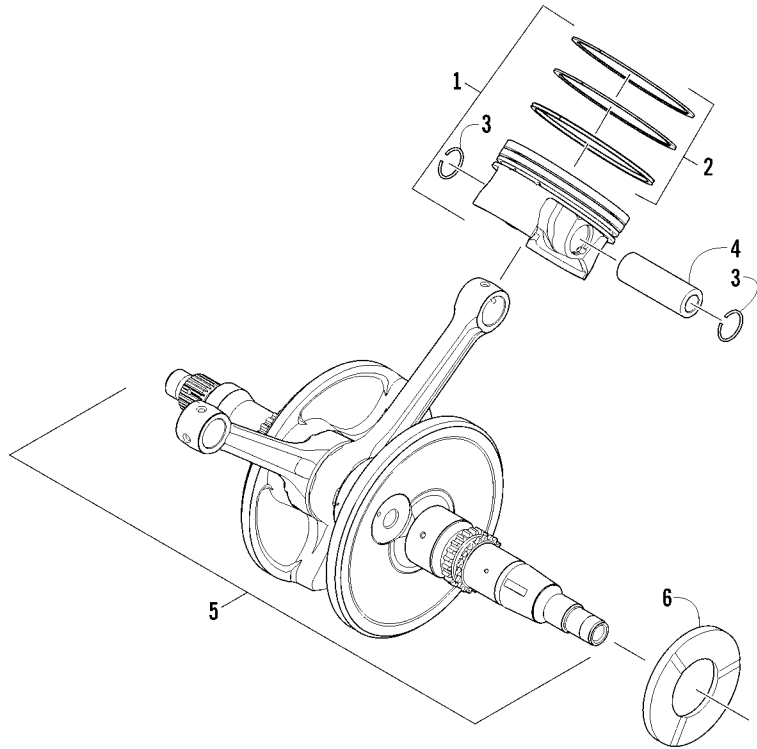
Ref	Part No.	New Qty	Description	Ref	Part No.	New Qty	Description
1	0810-001	2	Chain, Cam	6	0830-134	2	Gasket
2	0810-069	2	Guide, Chain	7	8468-620	4	Screw, Machine
3	0810-070	2	Tensioner, Chain	8	8400-610	2	Screw, Cap
4	0826-106	2	Pivot, Tensioner	9	0828-129	2	Washer
5	0810-004	2	Adjuster, Tensioner - Assembly				



CRANKCASE ASSEMBLY

0746-877

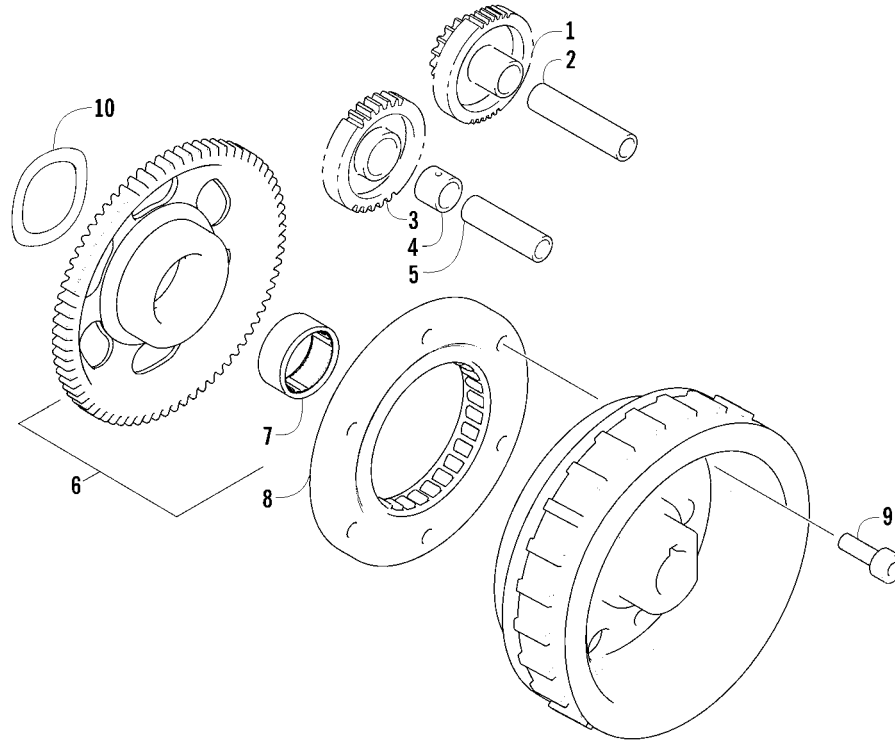
Ref	Part No.	New	Qty	Description	Ref	Part No.	New	Qty	Description
1	0801-211	X	1	Crankcase - Assembly (inc. 2-13)	20	0812-052	1	1	Valve, Oil-Relief - Assembly
2	0830-035		1	● Seal, Driveshaft	21	0830-162	1	1	O-Ring, Oil Filler Cover
3	0832-048		1	● Bearing	22	0812-081	1	1	Cover, Oil Filler
4	0832-042		1	● Bearing	23	0801-179	1	1	Stick, Oil Level
5	0832-050		2	● Bearing	24	0830-010	1	1	O-Ring
6	0832-049		1	● Bearing	25	0812-078	1	1	Fitting, Oil - Threaded
7	0832-055		1	● Bearing - Assembly (inc. 8)	26	0801-193	1	1	Cover, Breather
8	0832-057		1	●● Bearing	27	8468-625	5	2	Screw, Machine
9	0801-002		1	● Plug, Engine Case	28	0829-048	2	2	Pin, Dowel
10	0822-052		1	● Seal, Countershaft - Right	29	0832-084	1	1	Bearing
11	0829-003		2	● Pin, Dowel	30	0831-086	1	1	Circlip
12	0829-002		2	● Pin, Dowel	31	0830-191	1	1	Gasket, Breather
13	0812-008		1	● Union, Oil Filter	32	8412-860	10	10	Screw, Cap
14	0812-029		1	Filter, Oil	33	8412-830	3	3	Screw, Cap
15	0830-172		1	O-Ring	34	8468-640	2	2	Screw, Machine
16	0812-060		1	Fitting, Oil	35	8468-660	8	8	Screw, Machine
17	8468-616		5	Screw, Machine	36	8468-630	2	2	Screw, Machine
18	0623-914		2	Screw, Self-Tapping	37	8412-875	1	1	Screw, Cap
19	0812-079		1	Plate, Oil Sump	38	8412-850	1	1	Screw, Cap



CRANKSHAFT AND PISTON ASSEMBLY

0745-070

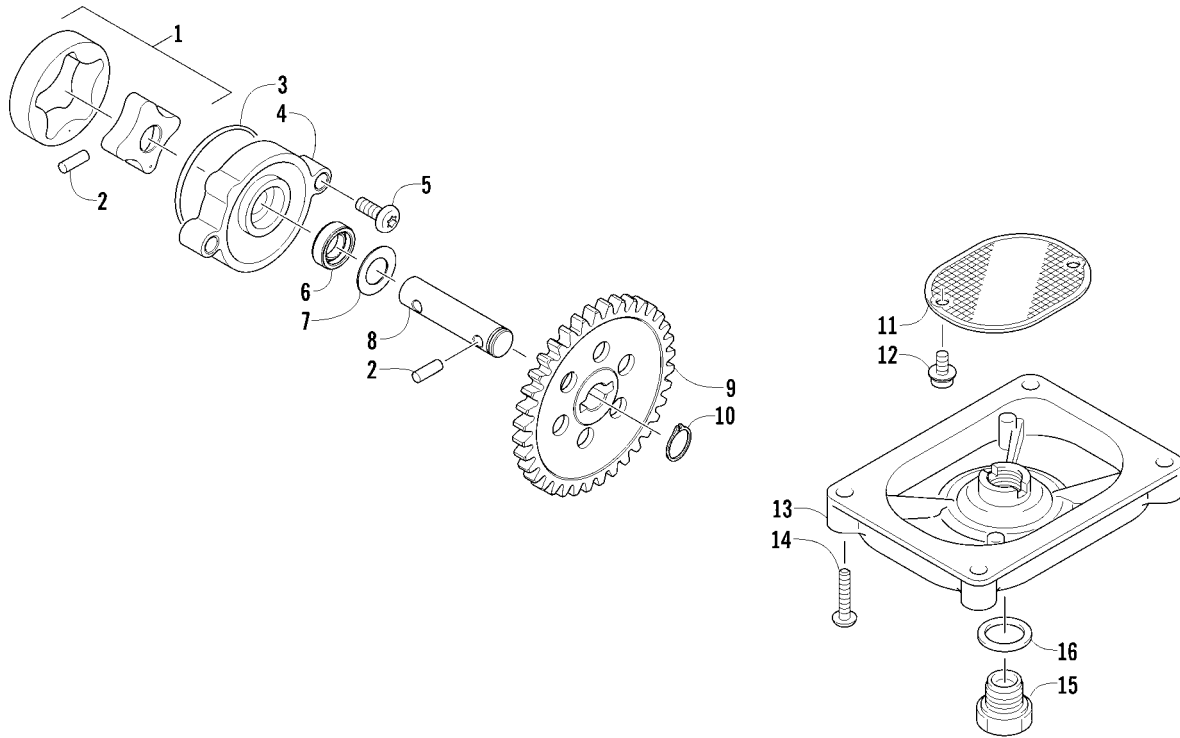
Ref	Part No.	New Qty	Description	Ref	Part No.	New Qty	Description
1	0805-299	2	Piston Set - Assembly (inc. 2-4)	4	0805-198	2	● Pin, Piston
2	0805-164	2	● Ring, Piston - Set	5	0805-327	1	Crankshaft - Assembly
3	0805-199	4	● Circlip, Piston Pin	6	0805-273	1	Washer, Thrust



STARTER CLUTCH ASSEMBLY

0745-071

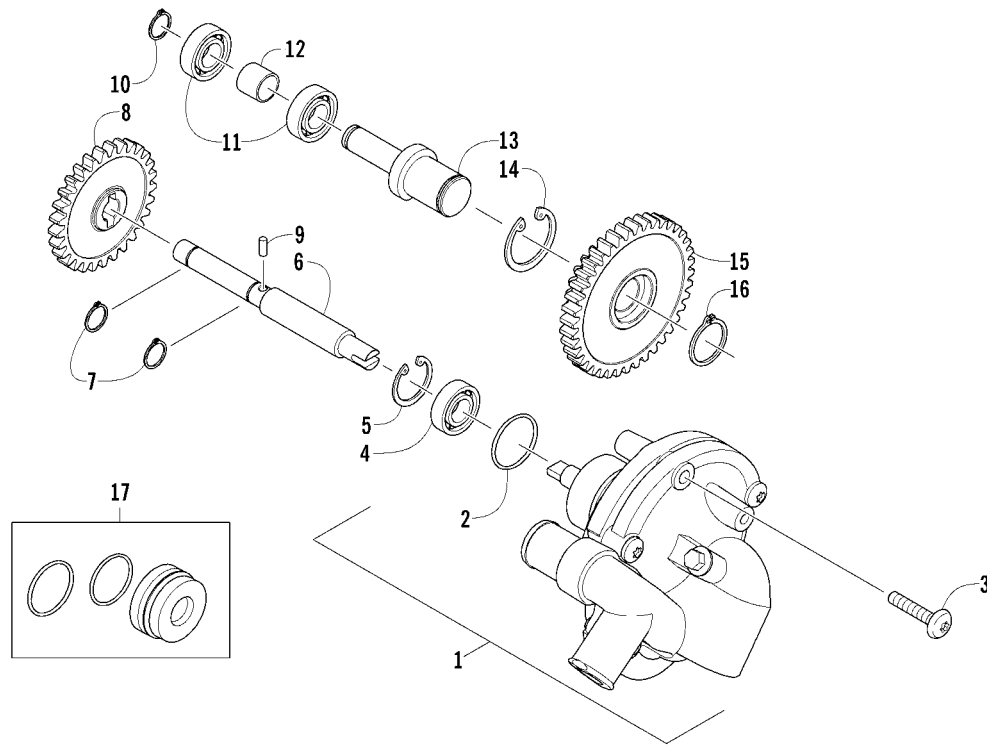
Ref	Part No.	New Qty	Description	Ref	Part No.	New Qty	Description
1	0815-026	1	Gear, Starter Idler - No. 1	6	0815-004	1	Gear, Starter Clutch (inc. 7)
2	0829-031	1	Shaft, Starter Gear	7	0832-079	1	● Bearing
3	0815-002	1	Gear, Starter Idler - No. 2	8	0802-035	1	Clutch, Starter
4	0815-003	1	Spacer, Starter Idler Gear No. 2	9	0826-069	6	Screw, Cap
5	0829-032	1	Shaft, Starter Gear	10	0828-113	1	Washer, Wave



OIL PUMP ASSEMBLY

0745-052

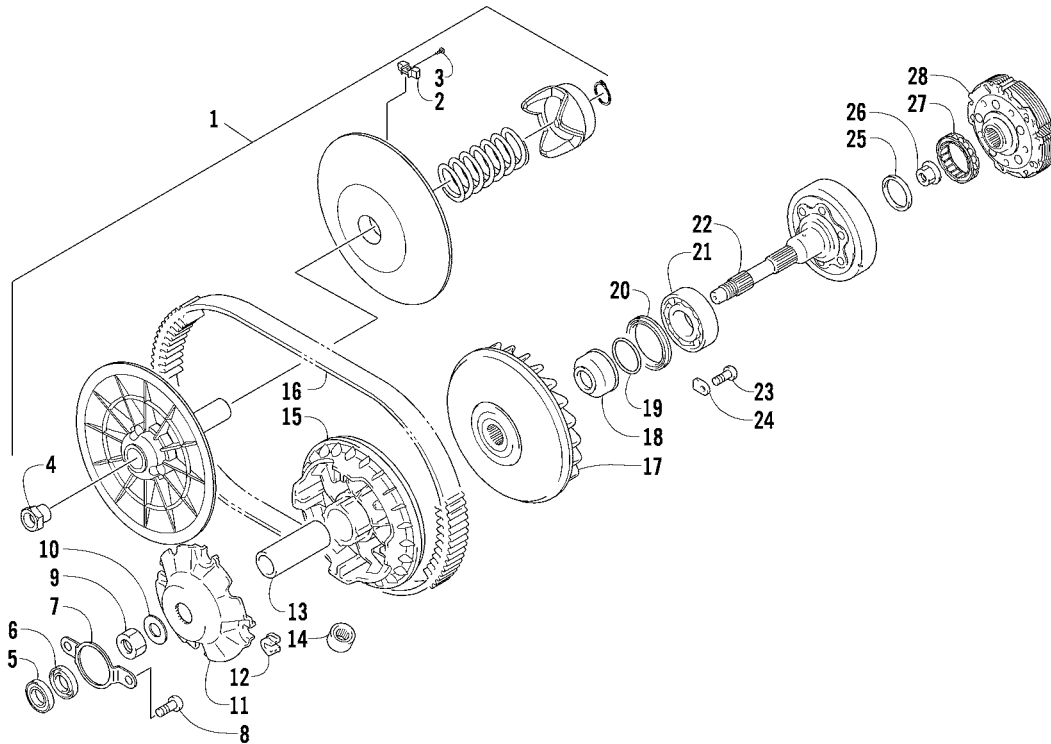
Ref	Part No.	New Qty	Description	Ref	Part No.	New Qty	Description
1	0812-041	1	Gerotor - Set	9	0812-045	1	Gear, Driven
2	0829-009	2	Pin, Dowel	10	0831-002	1	Ring, Retaining
3	0812-048	1	O-Ring	11	0812-057	1	Strainer, Oil
4	0812-040	1	Housing, Oil Pump	12	0826-040	2	Screw, Machine
5	8468-625	2	Screw, Machine	13	0812-053	1	Cap, Oil Strainer
6	0812-047	1	Seal, Oil Pump	14	8468-625	4	Screw, Machine
7	0828-007	1	Shim	15	0812-006	1	Plug, Drain
8	0812-046	1	Shaft, Oil Pump	16	0830-017	1	Gasket, Drain Plug



WATER PUMP ASSEMBLY

0746-957

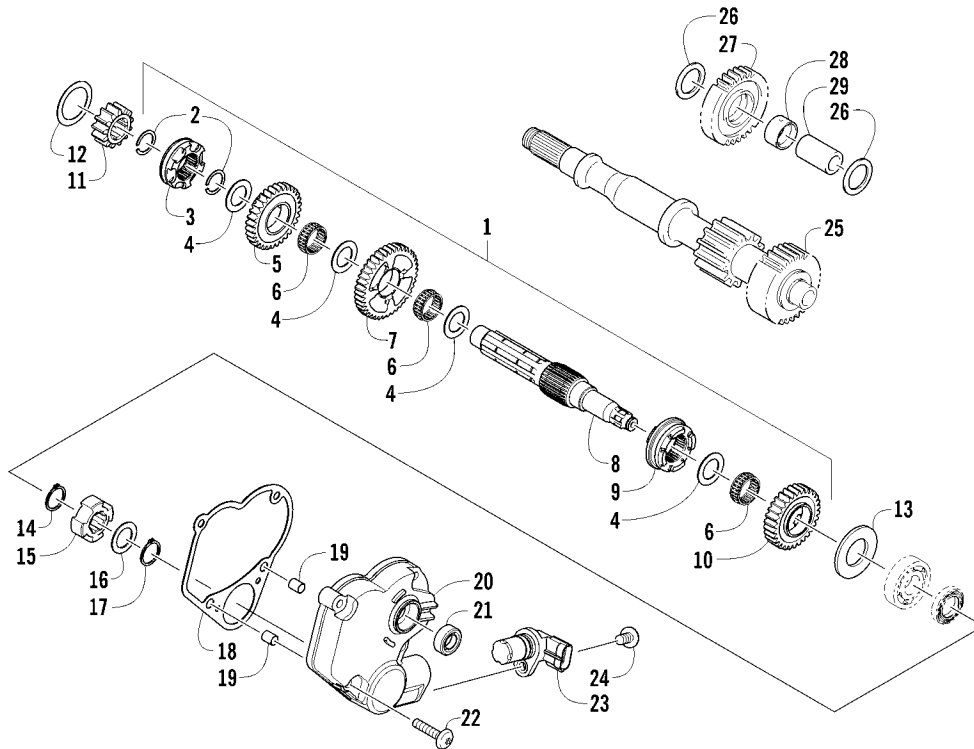
Ref	Part No.	New Qty	Description	Ref	Part No.	New Qty	Description
1	0813-059	1	Pump, Water - Assembly (inc. 2)	10	0831-002	1	Ring, Retaining
2	0830-029	1	● O-Ring	11	0832-046	2	Bearing
3	8468-650	2	Screw, Machine	12	0813-028	1	Spacer, Idler - Water Pump
4	0832-084	1	Bearing	13	0813-026	1	Shaft, Water Pump Idler Gear
5	0831-086	1	Circlip	14	0831-004	1	Ring, Retaining
6	0813-041	1	Shaft, Driven Gear .	15	0813-027	1	Gear, Idler - Water Pump - Drive
7	0831-010	2	Ring, Retaining	16	0831-040	1	Ring, Retaining
8	0813-043	1	Gear, Driven	17	0837-010	1	Kit, Seal - Water Pump
9	0829-009	1	Pin, Dowel				



TRANSMISSION ASSEMBLY

0742-982

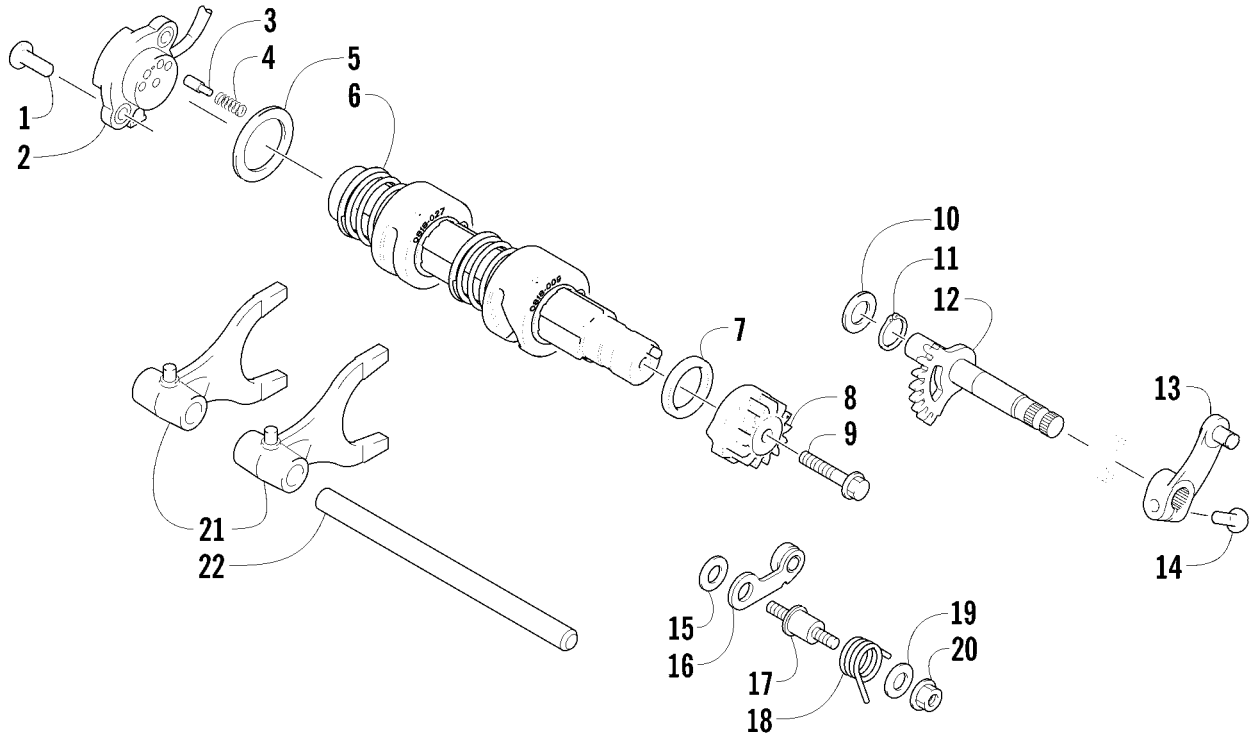
Ref	Part No.	New Qty	Description	Ref	Part No.	New Qty	Description
1	0823-353	1	Pulley, Driven - Assembly (inc. 2-4)	15	0823-273	1	Face, Movable Drive
2	0823-176	3	● Shoe, Cam	16	0823-231	1	Belt, Drive
3	0823-177	3	● Screw, Machine	17	0823-272	1	Face, Fixed Drive
4	0823-178	1	● Nut, Driven Pulley	18	0823-015	1	Spacer, Fixed Drive Face
5	0832-010	1	Bearing	19	0470-531	1	O-Ring
6	0830-176	1	Seal	20	0830-188	1	Seal, Clutch Housing - Right
7	0823-020	1	Retainer, Bearing	21	0832-009	1	Bearing
8	0826-031	2	Screw, Machine	22	0821-002	1	Housing, Clutch
9	0827-010	1	Nut	23	0826-029	2	Screw, Machine
10	0828-106	1	Washer	24	0822-010	2	Retainer, Bearing
11	0823-276	1	Plate, Movable Drive Face	25	0830-189	1	Seal, Clutch Housing - Left
12	0823-277	4	Damper, Movable Drive Face	26	0827-011	1	Nut
13	0823-358	1	Spacer, Movable Drive Face	27	0823-018	1	Clutch, One-Way
14	0823-170	8	Roller, Movable Drive Face	28	0823-310	1	Clutch, Centrifugal - 6 Plate



SECONDARY TRANSMISSION ASSEMBLY

0745-540

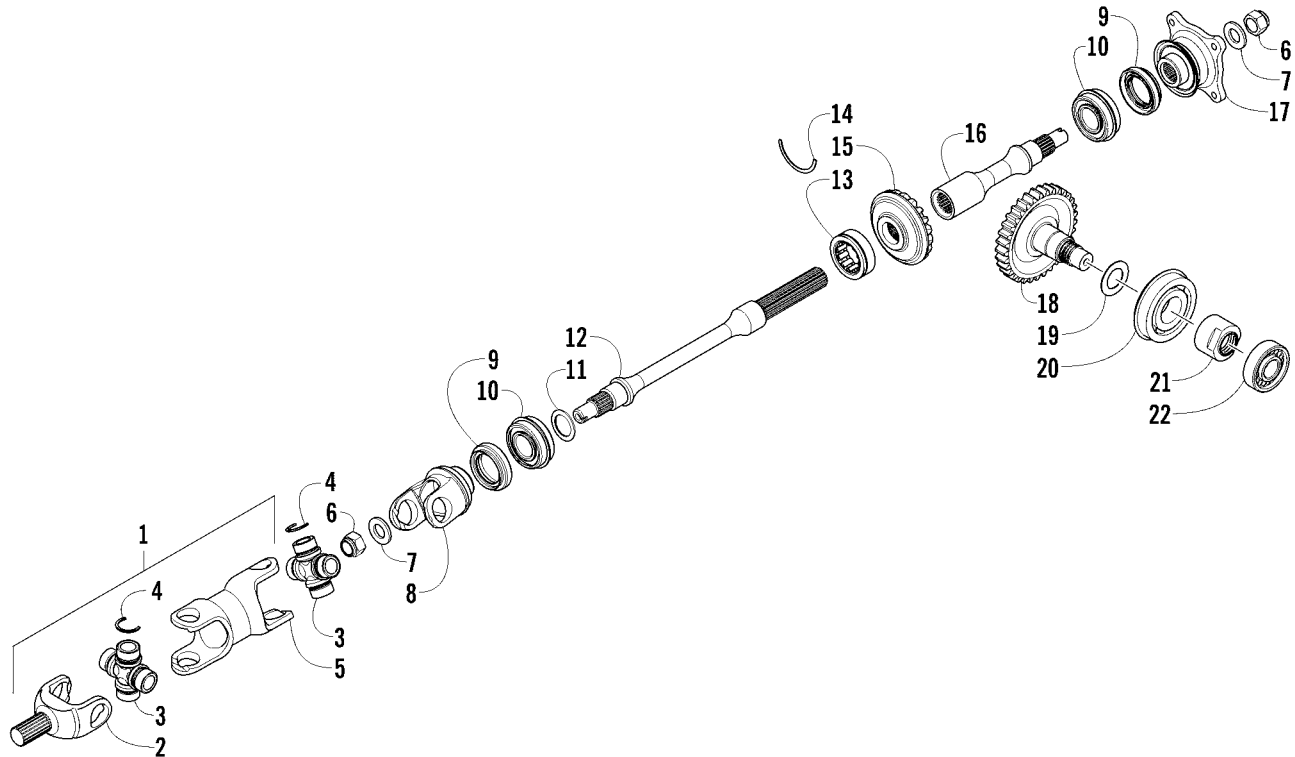
Ref	Part No.	New Qty	Description	Ref	Part No.	New Qty	Description
1	0822-124	1	Countershaft Assembly (inc. 2-10)	16	0828-069	1	Washer, Thrust
2	0831-085	2	● Ring, Retaining	17	0831-039	1	Ring, Retaining
3	0822-120	1	● Gear Select, Reverse	18	0830-194	1	Gasket
4	0822-121	4	● Shim	19	0829-048	2	Pin, Dowel
5	0822-119	1	● Gear, Reverse Driven	20	0806-105	1	Housing, Speedometer Sensor
6	0832-082	3	● Bearing	21	0830-044	1	Seal
7	0822-114	1	● Gear, Driven - Low	22	8468-630	4	Screw, Machine
8	0822-113	1	● Countershaft	23	0824-042	1	Sensor, Speedometer
9	0822-116	1	● Gear Select, Sliding	24	8468-620	1	Screw, Machine
10	0822-115	1	● Gear, Driven - High	25	0822-001	1	Driveshaft
11	0822-125	1	Gear, Drive	26	0828-016	2	Washer, Thrust
12	0828-019	1	Washer, Thrust	27	0822-011	1	Gear, Reverse Idle
13	0828-011	1	Washer	28	0822-012	1	Bushing
14	0831-040	1	Ring, Retaining	29	0822-015	1	Shaft, Reverse Idle
15	0822-050	1	Trigger, Speedometer Sensor				



GEAR SHIFTING ASSEMBLY

0746-025

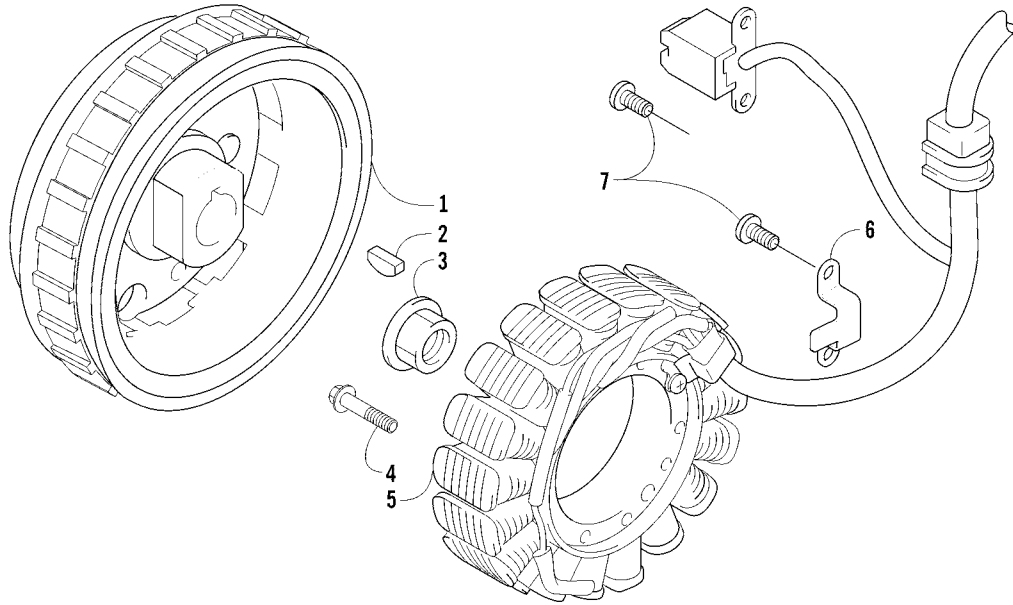
Ref	Part No.	New Qty	Description	Ref	Part No.	New Qty	Description
1	8470-516	2	Screw, Machine	12	0818-095	1	Shaft, Sub-Gear Shift
2	0409-091	1	Switch, Gear Position	13	0818-014	1	Arm, Shift
3	0818-013	2	Contact	14	8468-620	1	Screw, Machine
4	0818-017	2	Spring	15	0828-038	1	Washer
5	0828-040	1	Washer	16	0818-002	1	Stopper, Cam
6	0818-046	1	Shaft, Gear Shift - Assembly	17	0818-004	1	Support, Cam Stopper
7	0828-131	1	Spacer	18	0818-090	1	Spring
8	0818-055	1	Cam, Gear Shift	19	0828-035	1	Washer
9	0826-006	1	Screw, Cap	20	8424-602	1	Nut
10	0828-036	1	Washer	21	0818-072	2	Fork, Shift
11	0831-010	1	Ring, Retaining	22	0818-006	1	Shaft, Shift Fork



SECONDARY DRIVE ASSEMBLY

0745-058

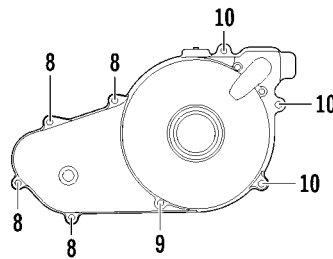
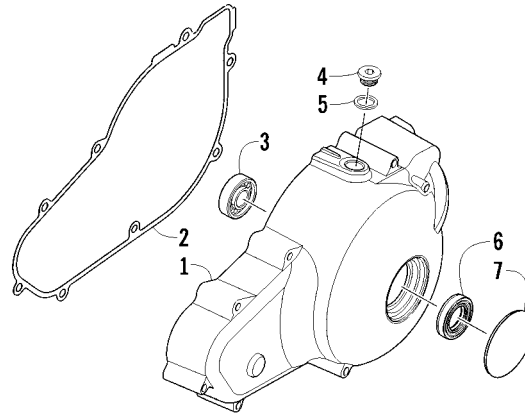
Ref	Part No.	New Qty	Description	Ref	Part No.	New Qty	Description
1	1502-342	1	Driveshaft, Front - Assembly (inc. 2, one No. 3, four No. 4, and 5)	12	0819-115	1	Shaft, Secondary Driven - Front
2	1402-701	1	● Yoke, Slip	13	0832-016	1	Bearing, Driven Gear
3	0402-944	2	● Joint, Universal - Set (inc. 4)	14	0819-011	1	Ring, Driven Bearing
4	0423-395	8	●● Ring, Retaining	15	0822-106	1	Gear, Secondary Driven
5	1502-341	1	● Driveshaft, Front	16	0819-053	1	Shaft, Secondary Driven - Rear
6	0827-013	2	Nut	17	0819-005	1	Flange, Output Joint - Rear
7	0828-020	2	Washer	18	0822-132	1	Gear, Secondary Drive
8	1502-325	1	Yoke, Propeller Shaft Joint	19	0828-119	AR	Shim, 30 x 48 x 0.25 mm
9	0830-043	2	Seal, Oil		0828-120	AR	Shim, 30 x 48 x 0.30 mm
10	0832-017	2	Bearing		0828-121	AR	Shim, 30 x 48 x 0.35 mm
11	0828-021	AR	Shim, 25 x 34 x 0.25 mm		0828-122	AR	Shim, 30 x 48 x 0.90 mm
	0828-022	AR	Shim, 25 x 34 x 0.30 mm		0828-123	AR	Shim, 30 x 48 x 0.95 mm
	0828-023	AR	Shim, 25 x 34 x 0.70 mm		0828-124	AR	Shim, 30 x 48 x 1.00 mm
	0828-024	AR	Shim, 25 x 34 x 0.90 mm		0828-125	AR	Shim, 30 x 48 x 1.05 mm
	0828-025	AR	Shim, 25 x 34 x 0.95 mm		0828-126	AR	Shim, 30 x 48 x 1.10 mm
	0828-026	AR	Shim, 25 x 34 x 1.00 mm		0828-127	AR	Shim, 30 x 48 x 1.15 mm
	0828-027	AR	Shim, 25 x 34 x 1.05 mm	20	0832-083	1	Bearing
	0828-028	AR	Shim, 25 x 34 x 1.10 mm	21	0827-060	1	Nut
	0828-029	AR	Shim, 25 x 34 x 1.15 mm	22	0832-050	1	Bearing



MAGNETO ASSEMBLY

0746-026

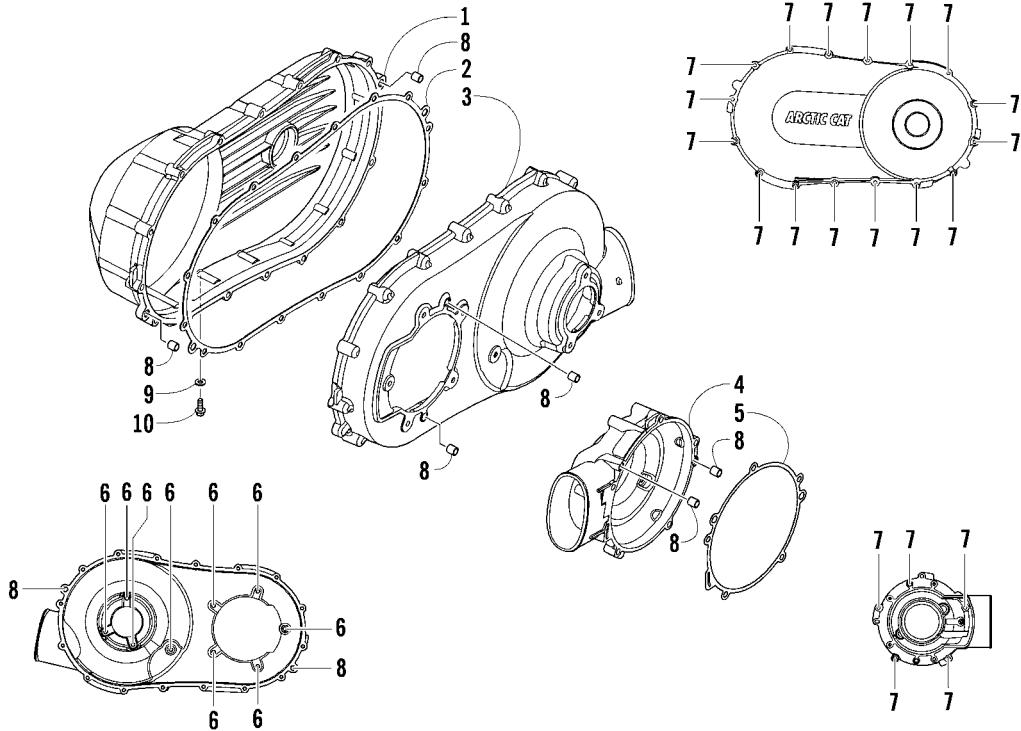
Ref	Part No.	New Qty	Description	Ref	Part No.	New Qty	Description
1	0802-042	1	Rotor/Flywheel	5	0802-041	1	Stator - Assembly
2	0829-012	1	Key	6	0831-064	1	Clamp
3	0827-010	1	Nut	7	8470-510	4	Screw, Machine
4	8409-632	3	Screw, Cap				



MAGNETO SIDE ENGINE COVERS

0745-061

Ref	Part No.	New Qty	Description	Ref	Part No.	New Qty	Description
1	0806-107	1	Cover, Magneto	6	0830-176	1	Seal, Cap
2	0830-132	1	Gasket, Magneto Cover	7	0806-066	1	Cap, Magneto Cover
3	0832-010	1	Bearing	8	8468-650	4	Screw, Machine
4	0826-155	1	Plug, Check	9	8468-695	1	Screw, Machine
5	0830-015	1	Washer, Crush	10	8468-665	3	Screw, Machine



CLUTCH SIDE ENGINE COVERS

0742-232

Ref	Part No.	New Qty	Description	Ref	Part No.	New Qty	Description
1	0806-112	1	Cover, Outside	6	8468-616	9	Screw, Machine
2	0830-137	1	Gasket, Cover	7	8468-630	21	Screw, Machine
3	0806-110	1	Cover, Inside	8	0829-048	6	Pin, Dowel
4	0806-109	1	Cover, Clutch	9	0830-013	1	Washer, Crush
5	0830-133	1	Gasket, Clutch Cover	10	8408-812	1	Screw, Cap

