

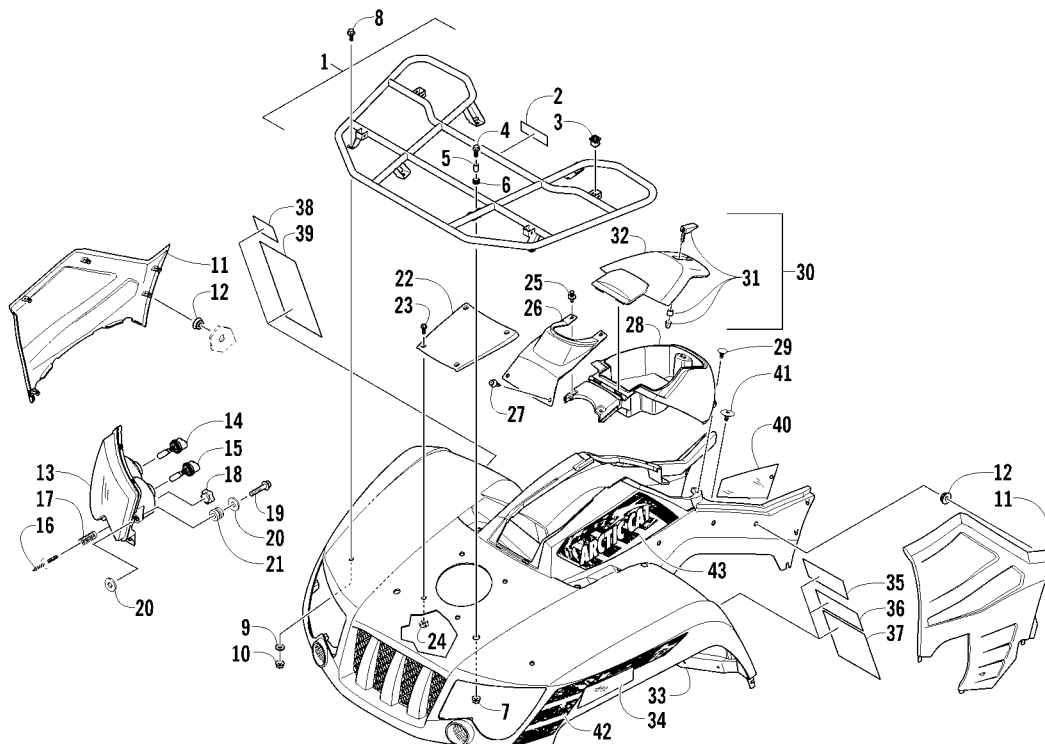
TABLE OF CONTENTS

2012 ATV 550 LTD

Desert Red (Model No. A2012BLO1PUSI) Desert Red - International (Model No. A2012BLO1POSI)
Metallic Green (Model No. A2012BLO1PUSA) Metallic Green - International (Model No. A2012BLO1POSA)

FRONT RACK, BODY PANEL, AND HEADLIGHT ASSEMBLIES	1
REAR RACK, BODY PANEL, AND FOOTWELL ASSEMBLIES	2
FRAME AND RELATED PARTS	3
WINCH ASSEMBLY	4
TAILLIGHT ASSEMBLY	5
SEAT ASSEMBLY	6
STEERING ASSEMBLY	7
HANDLEBAR ASSEMBLY	8
INSTRUMENT POD ASSEMBLY	9
FRONT SUSPENSION ASSEMBLY	10
REAR SUSPENSION ASSEMBLY	11
WHEEL AND TIRE ASSEMBLY	12
HYDRAULIC BRAKE ASSEMBLY	13
GAS TANK ASSEMBLY	14
SHIFT LEVER ASSEMBLY	15
AIR INTAKE ASSEMBLY	16
ENGINE AND EXHAUST	17
COOLING ASSEMBLY	18
CASE/BELT COOLING ASSEMBLY	19
DRIVE TRAIN ASSEMBLY	20
FRONT DRIVE GEARCASE ASSEMBLY	21
REAR DRIVE GEARCASE ASSEMBLY	22
WIRING HARNESS ASSEMBLY	23
BATTERY AND STARTER ASSEMBLY	24
THROTTLE BODY ASSEMBLY	25
CYLINDER ASSEMBLY	26
CYLINDER HEAD AND CAMSHAFT/VALVE ASSEMBLY	27
CAM CHAIN ASSEMBLY	28
CRANKCASE ASSEMBLY	29
CRANKSHAFT AND PISTON ASSEMBLY	30
CLUTCH/V-BELT/MAGNETO COVER ASSEMBLY	31
STARTER CLUTCH ASSEMBLY	32
CRANK BALANCER ASSEMBLY	33
OIL FILTER/PUMP ASSEMBLY	34
WATER PUMP ASSEMBLY	35
TRANSMISSION ASSEMBLY	36
SECONDARY TRANSMISSION ASSEMBLY	37
GEAR SHIFTING ASSEMBLY	38
SECONDARY DRIVE ASSEMBLY	39
MAGNETO ASSEMBLY	40

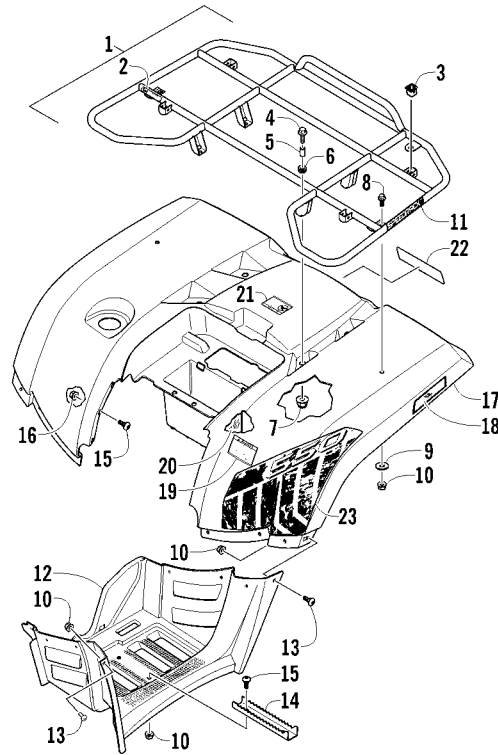
■ **NOTE:** The illustrations used in this Parts Manual are for reference to replacement part numbers only and are not to be used for assembly. For assembly procedures, use an Arctic Cat Service Manual. For a complete list of related items, refer to the current accessory catalog.



FRONT RACK, BODY PANEL, AND HEADLIGHT ASSEMBLIES

0746-085

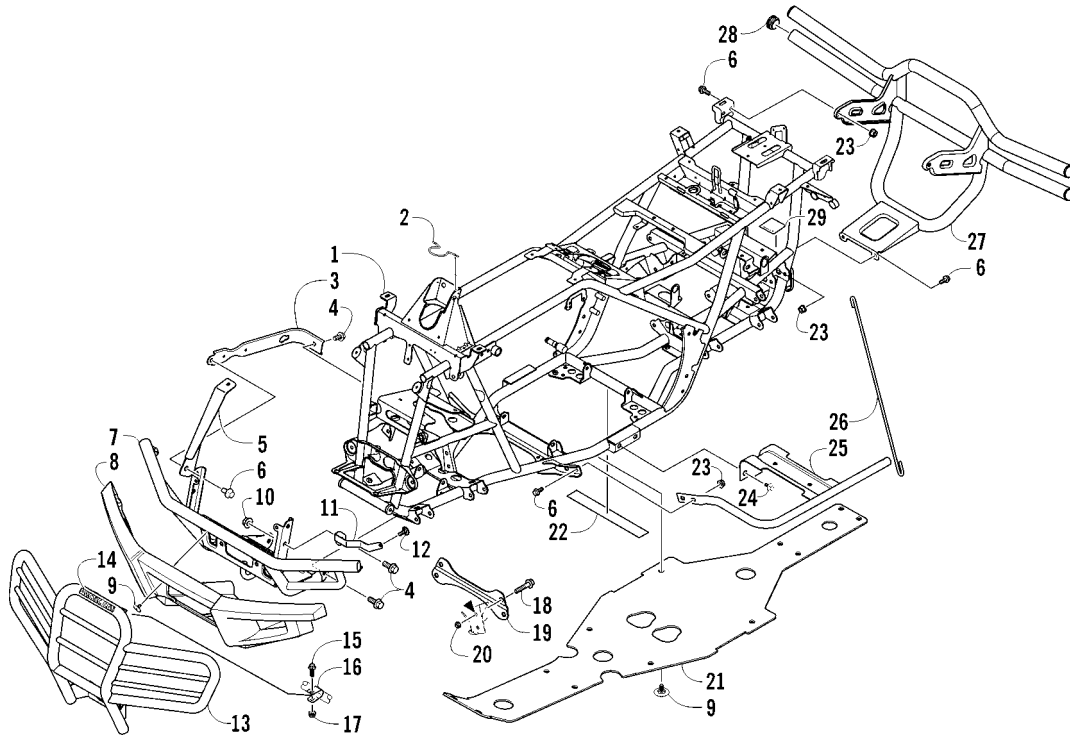
Ref	Part No.	New Qty	Description	Ref	Part No.	New Qty	Description
1	2506-646	1	Rack, Front - Assembly (inc. 2-3)	24	0423-997	4	T-Nut
2	0411-576	1	● Decal, Warning - Load	25	0623-362	2	Rivet, Reinstallable
3	0441-592	4	● Bushing	26	2516-698	1	Cover, Steering Post - Black
4	8410-830	4	Screw, Cap	27	0423-535	2	Rivet, Reinstallable
5	0423-669	4	Spacer	28	2516-721	1	Box, Storage - Black
6	0423-465	4	Grommet	29	0623-544	2	Clip, Retaining
7	8432-802	4	Nut, Lock	30	2506-235	1	Lid, Storage Box w/Latch (inc. 31-32)
8	0423-654	2	Screw, Shoulder	31	1406-599	1	● Latch, Storage Box
9	8050-222	2	Washer	32	1406-862	1	● Lid, Storage Box
10	0423-540	2	Nut, Lock	33	2516-623	1	Panel, Fender - Assembly - Desert Red (inc. 34-40) (1PUSI/1POSI)
11	2406-380	1	Panel, Side - Lower - Right				Panel, Fender - Assembly - Metallic Green (inc. 34-40) (1PUSA/1POSA)
12	2406-381	1	Panel, Side - Lower - Left	2516-577			
13	0423-678	8	Grommet				
14	0609-852	1	Headlight Assembly - Right (inc. 14-15)	34	1411-078	1	● Decal, Reflector - Right - Amber
15	0609-853	1	Headlight Assembly - Left (inc. 14-15)		1411-079	1	● Decal, Reflector - Left - Amber
16	0409-073	2	● Bulb, Headlight		1411-574	1	● Decal, Warning - Off-Road Only
17	0409-045	2	● Bulb, Headlight		1411-804	1	● Decal, Warning - Age
18	0423-514	2	Stud, Adjuster - Headlight		1411-932	1	● Decal, Warning - General
19	0423-522	2	Spring, Adjuster		0411-835	1	● Decal, Warning - Turn/Hill
20	0423-513	2	Knob, Adjuster		1411-250	1	● Decal, Warning - Reverse/Pre-Ride
21	0623-785	4	Screw, Self-Tapping		0412-394	1	● Foil, Protective
22	8050-217	8	Washer		0423-101	2	Screw, Shoulder
23	0423-447	4	Grommet	42	2411-644	X	Decal, Side - Front Right
	2516-702	1	Cover, Access - Desert Red (1PUSI/1POSI)		2411-645	X	Decal, Side - Front Left
	2516-578	1	Cover, Access - Metallic Green (1PUSA/1POSA)	43	2411-646	X	Decal, Side - Upper Right
	8410-616	4	Screw, Cap		2411-647	X	Decal, Side - Upper Left



REAR RACK, BODY PANEL, AND FOOTWELL ASSEMBLIES

0745-933

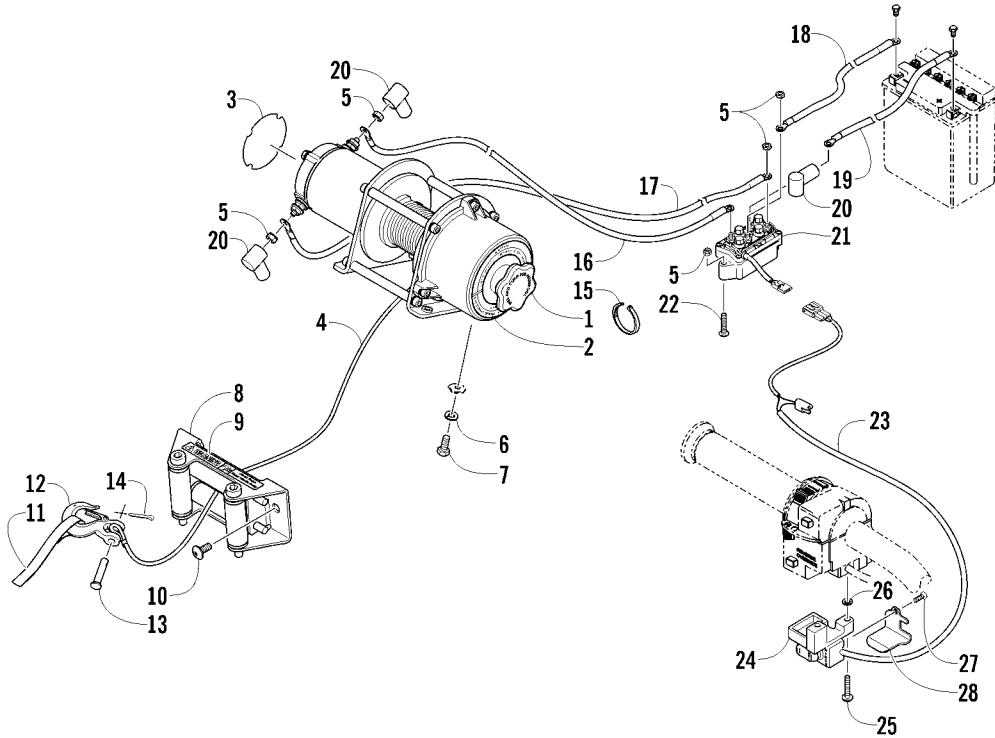
Ref	Part No.	New	Qty	Description	Ref	Part No.	New	Qty	Description
1	2506-124		1	Rack, Rear - Assembly (inc. 2-3)	16	8424-602		6	Nut
2	0411-648		1	● Decal, Warning - Load	17	2516-688		1	Panel, Fender - Assembly - Black (inc. 18-21)
3	0441-592		4	● Bushing	18	1411-598		1	● Decal, Reflector - Right - Red
4	8410-830		4	Screw, Cap		1411-599		1	● Decal, Reflector - Left - Red
5	0423-669		4	Spacer	19	2411-143		1	● Decal, Warning - Tire Pressure
6	0423-465		4	Grommet	20	0412-351		1	● Foil, Protective
7	8432-802		4	Nut, Lock	21	1411-809		1	● Decal, Passenger
8	0423-654		2	Screw, Shoulder	22	1411-725		1	Decal, "Arctic Cat"
9	8050-222		2	Washer	23	2411-668	X	1	Decal, Side - Lower Right (1PUSI/1POSI)
10	0423-540		24	Nut, Lock		2411-669	X	1	Decal, Side - Lower Left (1PUSI/1POSI)
11	0411-965		2	Decal, "Speedrack"		2411-670	X	1	Decal, Side - Lower Right (1PUSA/1POSA)
12	2406-280		1	Footwell - Right		2411-671	X	1	Decal, Side - Lower Left (1PUSA/1POSA)
	2406-281		1	Footwell - Left					
13	0423-419		18	Screw, Machine					
14	1506-125		2	Footpeg					
15	0423-355		10	Screw, Shoulder					



FRAME AND RELATED PARTS

0745-165

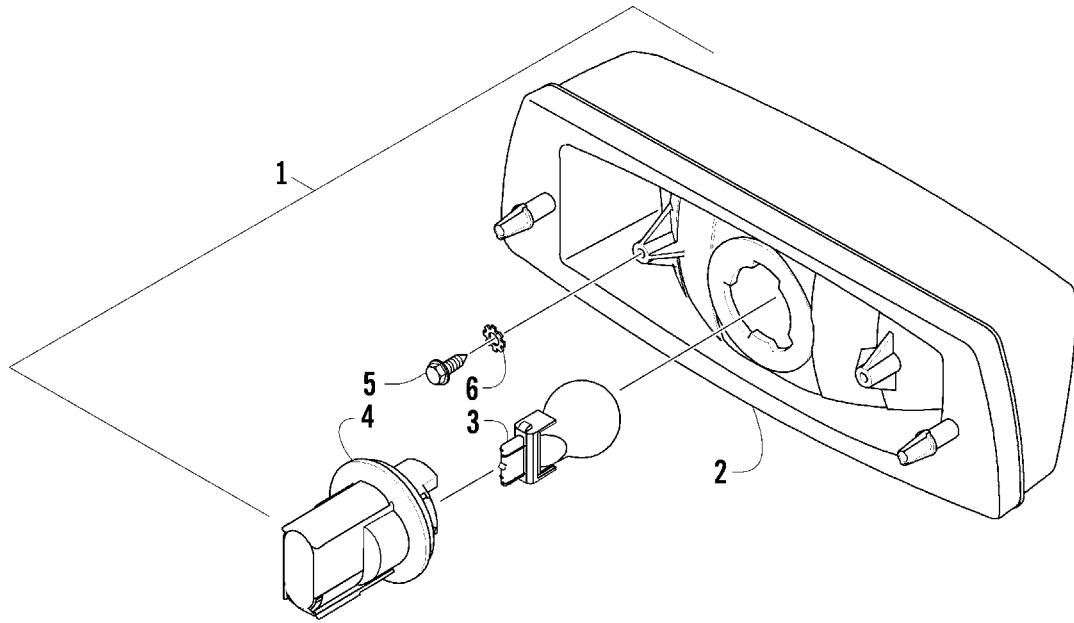
Ref	Part No.	New	Qty	Description	Ref	Part No.	New	Qty	Description
1	4506-551	X	1	Frame, Main	15	8410-835		2	● Screw, Cap
2	2416-401		1	Clip, Routing	16	2506-641		2	● Bracket, Support
3	1506-596		2	Channel, Bumper Mounting	17	8424-805		2	● Nut
4	8409-020		6	Screw, Cap	18	8409-025		2	Screw, Cap
5	1506-686		1	Bracket, Mounting - Bumper - Right	19	2516-852		1	Brace, A-Arm
	1506-687		1	Bracket, Mounting - Bumper - Left	20	0423-744		2	Nut, Lock
6	8408-816		10	Screw, Cap	21	1406-030		1	Panel, Belly
7	1506-684		1	Bumper, Front	22	0406-289		2	Pad, Frame
8	1406-868		1	Fascia, Bumper - Front - Black	23	8424-802		8	Nut
9	0423-101		16	Screw, Shoulder	24	8409-016		4	Screw, Cap
10	8424-002		2	Nut	25	1506-659		1	Footrest - Right
11	2516-594		1	Bracket, Support - Right		1506-660		1	Footrest - Left
	2516-595		1	Bracket, Support - Left	26	2506-426		2	Rod, Support
12	0623-797		2	Screw, Self-Tapping	27	1506-802		1	Bumper, Push - Rear (inc. 28)
13	1436-032		1	Bumper, Push - Front (inc. 14-17)	28	2406-045		4	● Plug, Hole
14	0411-501		1	● Decal, Bumper - "Arctic Cat"	29	1411-077		1	Decal, Warning - Towing



WINCH ASSEMBLY

0745-895

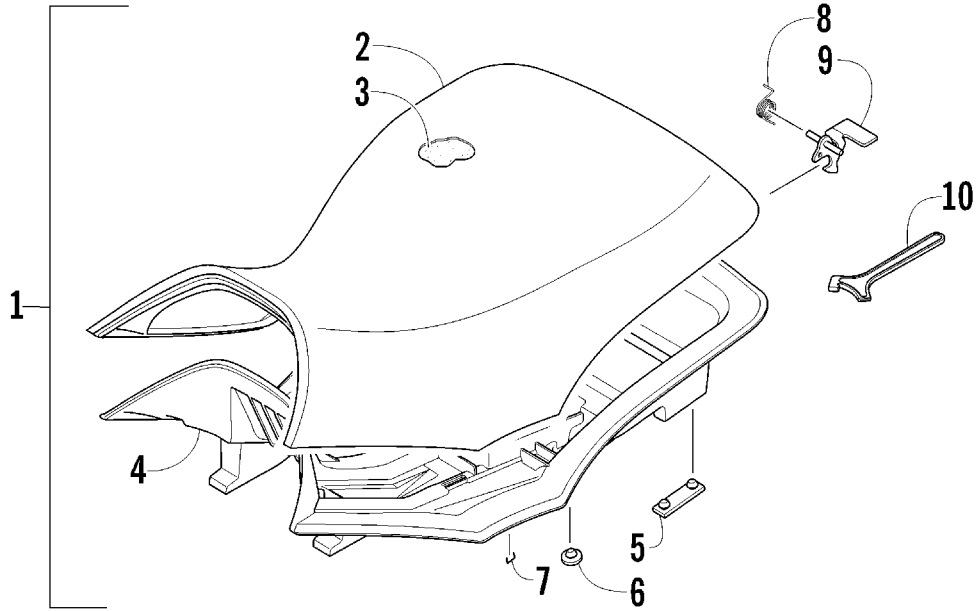
Ref	Part No.	New	Qty	Description	Ref	Part No.	New	Qty	Description
1	2441-250	X	1	Winch (inc. 2-4 and two No. 5)	15	0123-903	AR		Tie, Cable - 11.5 in.
2	2411-141		1	● Decal, Warning - Tension	16	0445-068		1	Cable, Winch/Solenoid - Yellow
3	2411-140		1	● Decal, Warning - Operation	17	0445-069		1	Cable, Winch/Solenoid - Blue
4	1441-831		1	● Cable, Winch	18	1441-112		1	Cable, Solenoid/Battery - Black
5	0623-038		8	● Nut w/Washer	19	0445-087		1	Cable, Solenoid/Battery - Red
6	8051-246		4	Washer, Lock	20	0645-019		3	Boot, Terminal
7	8408-820		4	Screw, Cap	21	0409-066		1	Solenoid
8	0441-403		1	Roller, Winch (inc. 9)	22	8476-625		2	Screw, Machine
9	0411-474		1	● Decal, Warning - Pinch Point	23	0409-087		1	Switch, Control
10	8468-820		2	Screw, Machine	24	0409-034		1	Retainer, Control Switch
11	1441-781		1	Strap	25	8464-560		2	Screw, Machine
12	1441-833		1	Hook, Winch	26	0423-593		1	Washer
13	1441-834		1	Pin	27	0423-382		1	Screw, Self-Tapping
14	0623-175		1	Pin, Cotter	28	0409-106		1	Cover, Switch



TAILLIGHT ASSEMBLY

0739-667

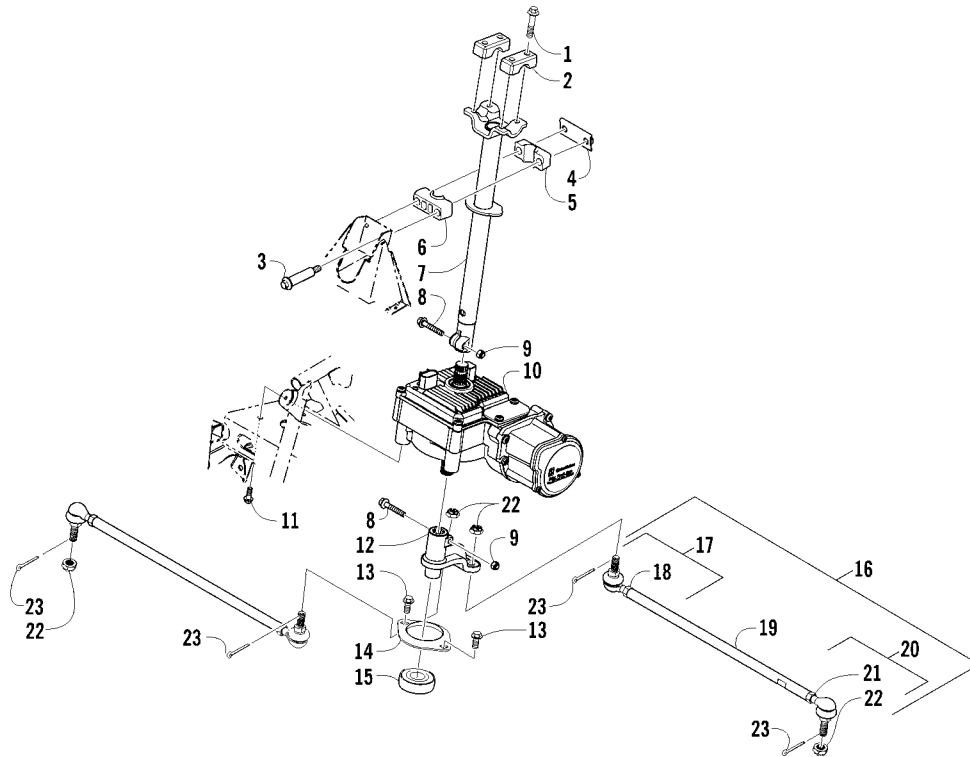
Ref	Part No.	New Qty	Description	Ref	Part No.	New Qty	Description
1	0509-022	1	Taillight Assembly (inc. 2-4)	4	0409-057	1	● Socket, Taillight
2	0509-025	1	● Housing, Taillight	5	0623-301	2	● Screw, Self-Tapping
3	0409-056	1	● Bulb, Taillight	6	8053-212	2	● Washer, External Tooth Lock



SEAT ASSEMBLY

0744-435

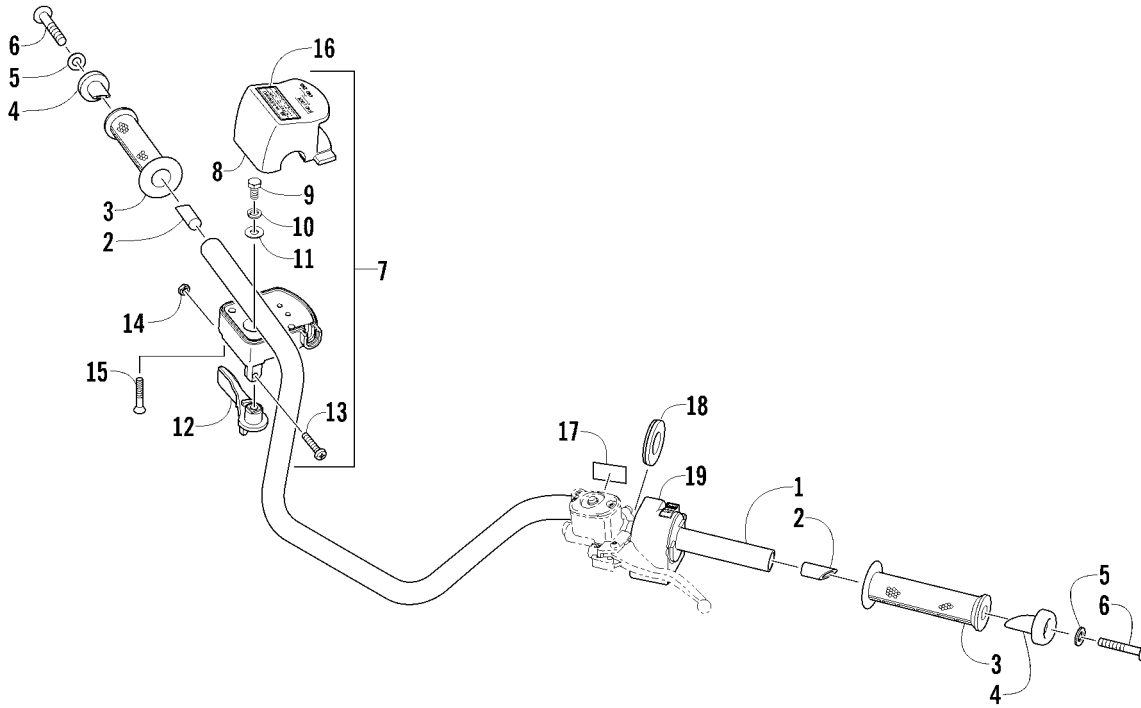
Ref	Part No.	New	Qty	Description	Ref	Part No.	New	Qty	Description
1	4506-557	X	1	Seat Assembly (inc. 2-9)	6	0406-877		4	●● Bumper, Seat - Front
2	1506-209		1	● Cover, Seat	7	0624-263		AR	● Staple
3	0517-119		1	● Foam, Seat	8	1406-592		1	● Spring, Seat Latch
4	2416-826	X	1	● Base, Seat - Assembly (inc. 5-6)	9	1506-156		1	● Latch, Seat
5	0406-879		2	●● Bumper, Seat - Rear	10	0441-587		1	Wrench, Spanner



STEERING ASSEMBLY

0745-117

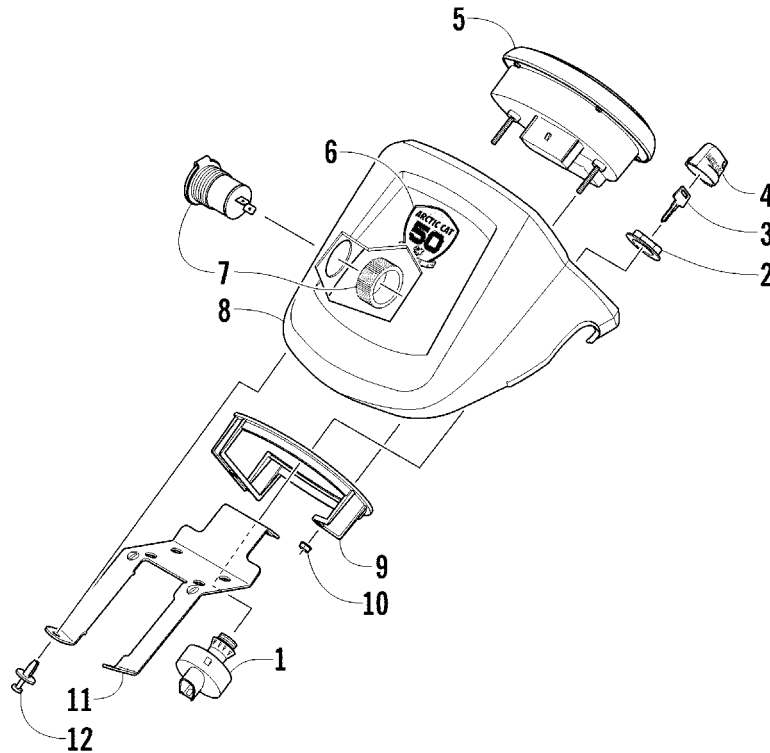
Ref	Part No.	New Qty	Description	Ref	Part No.	New Qty	Description
1	8408-835	4	Screw, Cap	14	0602-233	1	Flange, Bearing
2	0405-035	2	Cap, Steering Adjuster	15	0405-052	1	Bearing w/Inverted Oil Seal
3	0423-505	2	Screw, Shoulder	16	0505-499	2	Tie Rod - Assembly (inc. 17-21)
4	0505-484	1	Cap, Housing	17	0505-511	2	● End, Tie Rod - Left-Hand Thread - Kit (inc. 18)
5	0405-260	1	Housing, Upper	18	0423-013	2	●● Nut - Left-Hand Thread
6	0405-259	1	Housing, Lower	19	0405-281	2	● Tie Rod
7	0505-642	1	Post, Steering	20	0505-510	2	● End, Tie Rod - Right-Hand Thread - Kit (inc. 21)
8	8020-045	2	Screw, Cap	21	8420-002	2	●● Nut - Right-Hand Thread
9	8040-366	2	Nut, Lock	22	0423-157	4	Nut, Lock
10	0505-766	X	Assembly, Electronic Power Steering	23	0623-175	4	Pin, Cotter
11	8409-020	4	Screw, Cap				
12	0505-664	1	Arm, Steering				
13	8408-816	2	Screw, Cap				



HANDLEBAR ASSEMBLY

0745-894

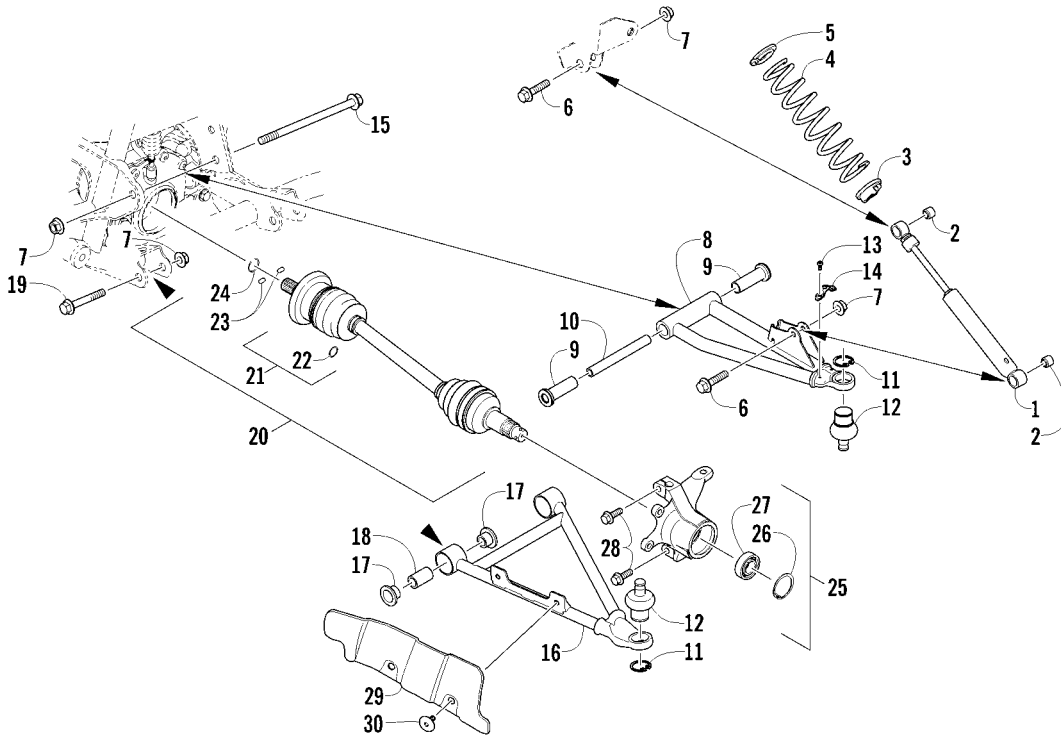
Ref	Part No.	New Qty	Description	Ref	Part No.	New Qty	Description
1	0505-418	1	Handlebar	11	3003-030	1	● Washer
2	0405-218	2	Plug, Handlebar	12	0409-133	1	● Lever, Throttle
3	0405-147	2	Grip, Handlebar	13	3423-014	1	● Screw, Machine
4	0405-149	2	End Cap, Handlebar	14	3423-327	1	● Nut
5	8050-247	2	Washer	15	3423-199	2	● Screw, Machine
6	8477-845	2	Screw, Machine	16	0411-966	1	Decal, Warning - Differential Lock
7	0509-054	1	Case, Throttle - Assembly (inc. 8-15)	17	1411-865	1	Decal, Warning - Brake Lever Lock
8	0409-141	1	● Cover, Throttle Case w/Switch	18	3409-019	1	Cover, Switch Housing
9	3007-392	1	● Screw, Cap	19	0509-014	1	Switch, Control - Assembly
10	3004-447	1	● Washer, Lock				



INSTRUMENT POD ASSEMBLY

0745-865

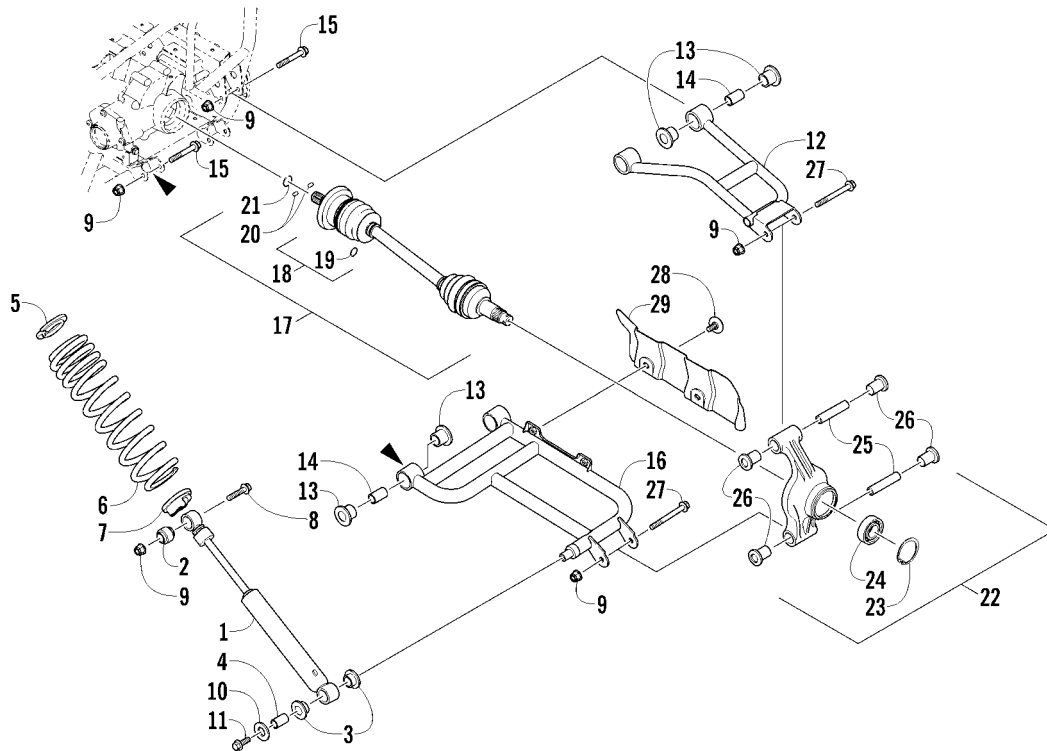
Ref	Part No.	New Qty	Description	Ref	Part No.	New Qty	Description
1	0430-090	1	Switch, Ignition - Assembly (inc. 2-4)	7	0641-897	1	Outlet, Accessory - 12V
2	0430-050	1	● Nut, Retaining	8	0505-590	1	Instrument Pod - Black
3	0430-042	1	● Key, Ignition (Y Series - Left-Side Cut)	9	0420-065	1	Bracket, Retaining
	0430-043	1	● Key, Ignition (Z Series - Right-Side Cut)	10	0423-493	2	Nut w/Washer
4	0430-054	1	● Cover, Key	11	2506-470	1	Bracket, Mounting - Instrument Pod
5	0520-103	1	Gauge, LCD	12	0423-535	2	Rivet, Reinstallable
6	9611-399	X 1	Decal, 50th Anniversary (1PUSI/1POSI)				
	9611-603	X 1	Decal, 50th Anniversary (1PUSA/1POSA)				



FRONT SUSPENSION ASSEMBLY

0745-247

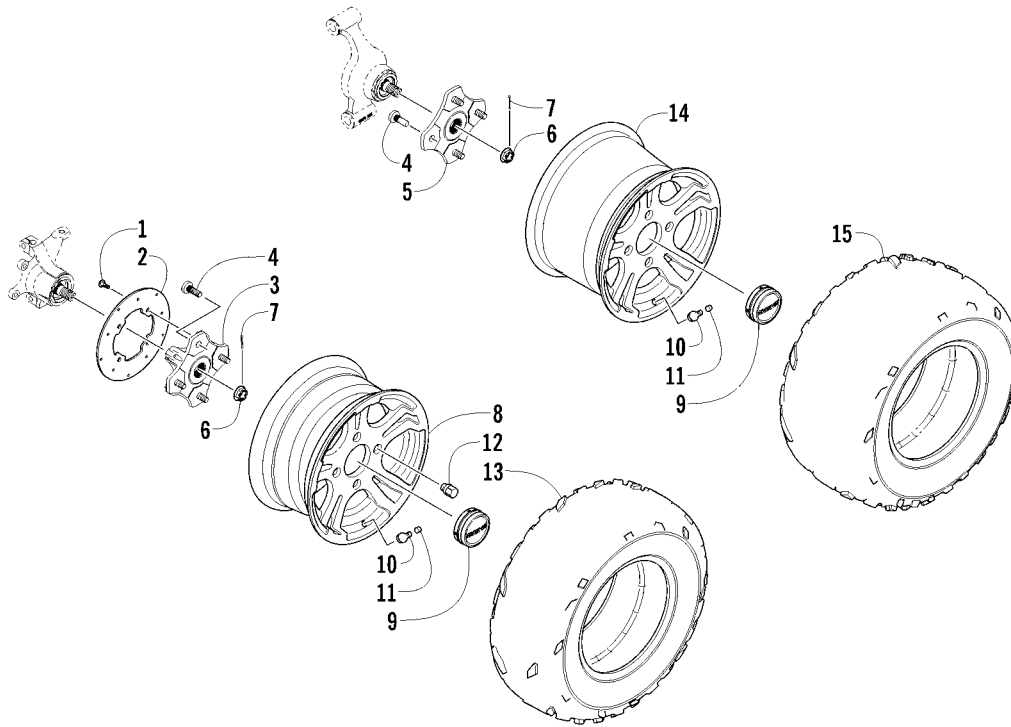
Ref	Part No.	New Qty	Description	Ref	Part No.	New Qty	Description
1	0403-209	2	Shock Absorber (inc. 2)	17	0403-208	8	● Bushing
2	0403-182	4	● Bushing	18	0403-214	4	● Axle
3	0403-102	2	Cam, Spring Adjuster	19	8409-075	4	Screw, Cap
4	0503-468	2	Spring, Suspension - White	20	1502-800	1	Axle, Drive - Right (inc. 21-24)
5	1603-889	2	Retainer, Spring	21	1502-799	1	Axle, Drive - Locking - Left (inc. 21-24)
6	8409-040	4	Screw, Cap	22	1436-419	2	● Repair Kit, Boot (inc. 22)
7	0423-744	10	Nut, Lock	23	1441-988	2	● Clip, Retaining
8	0503-416	1	A-Arm, Upper Right - Black (inc. 9-12)	24	1402-885	4	● Pin, Detent
9	0503-417	1	A-Arm, Upper Left - Black (inc. 9-12)	25	1402-889	2	● Clip, Retaining
10	0403-207	4	● Bushing	26	0505-576	1	Knuckle - Assembly - Right (inc. 26-27)
11	0403-080	2	● Axle	27	0505-577	1	Knuckle - Assembly - Left (inc. 26-27)
12	0423-009	4	● Ring, Retaining	28	0423-423	2	● Ring, Retaining
13	0405-115	4	● Ball Joint	29	1402-809	2	● Bearing
14	0423-946	4	Screw, Self-Tapping	30	0423-998	4	Screw, Shoulder
15	1502-594	2	Clamp, Routing		1406-034	1	Guard, Boot - Right - Black
16	0423-334	2	Screw, Cap		1406-035	1	Guard, Boot - Left - Black
	0503-376	1	A-Arm, Lower Right - Black (inc. 17-18 and two No. 11-12)		0423-545	4	Screw, Shoulder
	0503-377	1	A-Arm, Lower Left - Black (inc. 17-18 and two No. 11-12)				



REAR SUSPENSION ASSEMBLY

0745-252

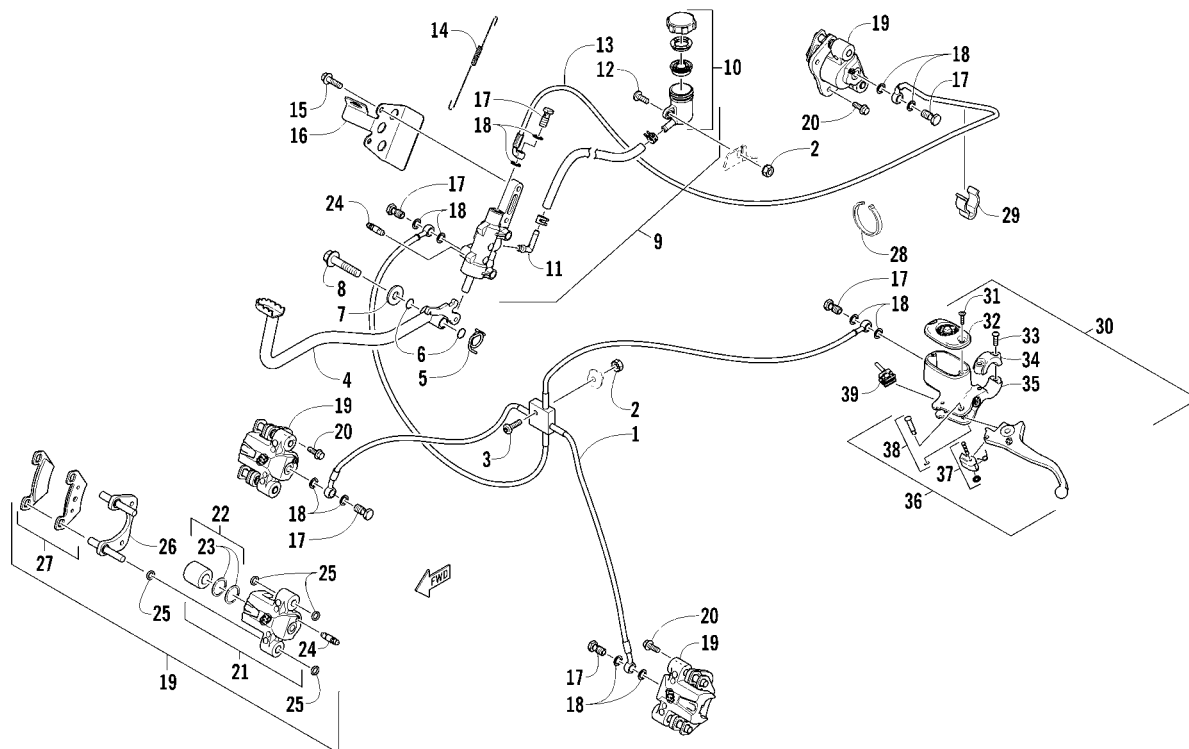
Ref	Part No.	New Qty	Description	Ref	Part No.	New Qty	Description
1	0404-158	2	Shock Absorber (inc. 2-4)	16	0504-572	1	A-Arm, Rear - Lower Right - Black (inc. 13-14)
2	0403-182	2	● Bushing		0504-573	1	A-Arm, Rear - Lower Left - Black (inc. 13-14)
3	0603-955	4	● Bushing	17	1502-798	2	Axle, Drive (inc. 18-21)
4	1603-219	2	● Sleeve	18	1436-419	2	● Repair Kit, Boot (inc. 19)
5	1603-889	2	Retainer, Spring	19	1441-988	2	●● Clip, Retaining
6	0504-659	2	Spring, Suspension - White	20	1402-884	4	● Pin, Detent
7	0404-057	2	Cam, Spring Adjuster	21	1402-890	2	● Clip, Retaining
8	8409-040	1	Screw, Cap - Right	22	0504-548	1	Knuckle, Right - Assembly (inc. 23-26)
	8409-050	1	Screw, Cap - Left		0504-549	1	Knuckle, Left - Assembly (inc. 23-26)
9	0423-744	14	Nut, Lock	23	0423-423	2	● Ring, Retaining
10	0423-087	2	Washer	24	1402-809	2	● Bearing
11	8408-820	2	Screw, Cap	25	0403-213	4	● Axle
12	0504-582	1	A-Arm, Rear - Upper Right - Black (inc. 13-14)	26	0403-206	8	● Bushing
	0504-583	1	A-Arm, Rear - Upper Left - Black (inc. 13-14)	27	8409-000	4	Screw, Cap
13	0403-208	16	● Bushing	28	0423-545	4	Screw, Shoulder
14	0403-214	8	● Axle	29	1406-068	1	Guard, Boot - Rear - Right - Black
15	8409-075	8	Screw, Cap		1406-069	1	Guard, Boot - Rear - Left - Black



WHEEL AND TIRE ASSEMBLY

0745-855

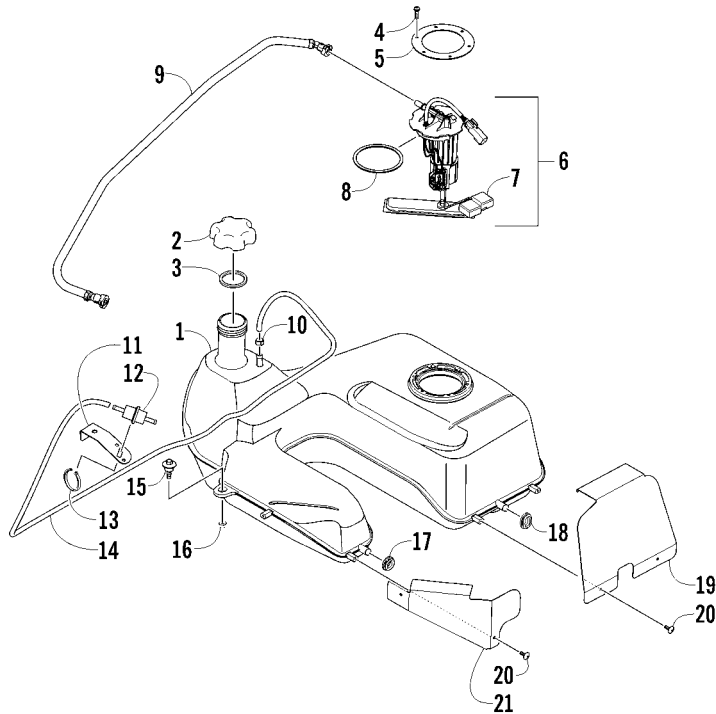
Ref	Part No.	New	Qty	Description	Ref	Part No.	New	Qty	Description
1	0423-557		12	Screw, Shoulder	8	1402-730		2	Wheel - Front - Aluminum (inc. 9)
2	2402-002	X	3	Disc, Brake	9	1402-736		4	● Cap, Wheel
3	1502-462		2	Hub, Wheel - Front (inc. 4)	10	0402-064		4	Stem, Valve (inc. 11)
4	0402-974		16	● Stud	11	0402-140		4	● Cap, Valve Stem
5	1502-462		1	Hub, Wheel - Rear - Right (inc. 4)	12	0423-618		16	Nut, Lug - Chrome
	1502-464		1	Hub, Wheel - Rear - Left (inc. 4)	13	1402-894		2	Tire - Front
6	0423-607		4	Nut, Castle	14	1402-731		2	Wheel - Rear - Aluminum (inc. 9)
7	0423-407		4	Pin, Cotter	15	1402-895		2	Tire - Rear



HYDRAULIC BRAKE ASSEMBLY

0745-856

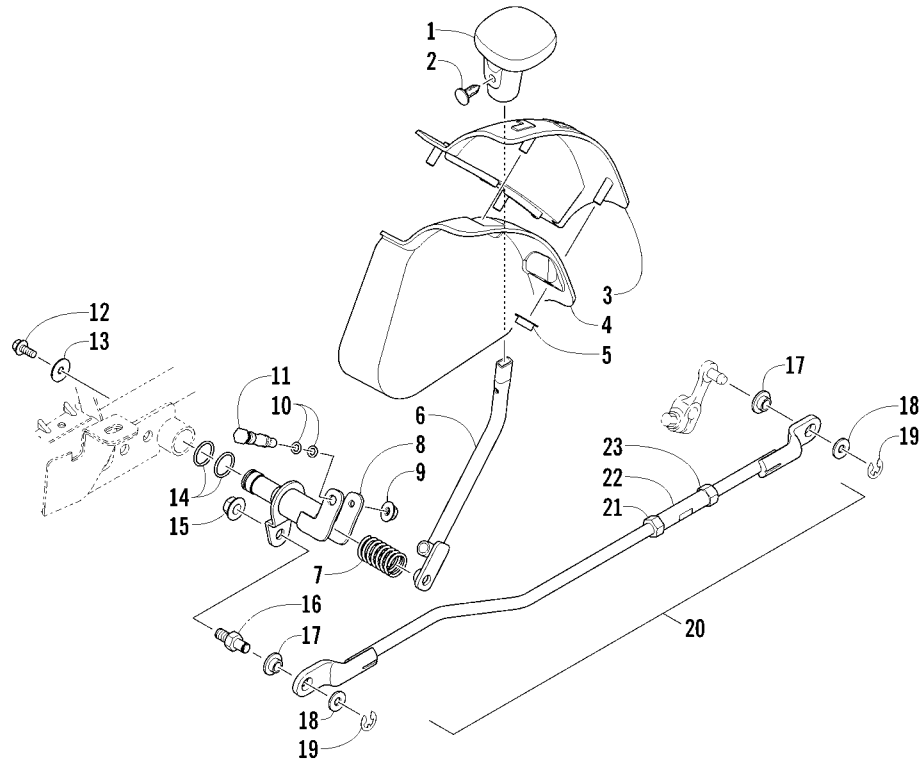
Ref	Part No.	New Qty	Description	Ref	Part No.	New Qty	Description
1	1502-015	1	Hose, Brakeline - Assembly	21	1436-160	1	● Housing, Caliper - Assembly - Right Front (inc. two No. 20 and 22-24)
2	0623-038	2	Nut w/Washer		1436-161	1	● Housing, Caliper - Assembly - Left Front (inc. two No. 20 and 22-24)
3	8476-625	1	Screw, Machine		1436-161	1	● Housing, Caliper - Assembly - Rear (inc. two No. 20 and 22-24)
4	1502-063	1	Lever, Brake	22	0502-606	3	●● Piston/Seal Set (inc. 23)
5	0502-807	1	Spring, Brake Lever	23	0502-607	3	●●● Seal Set
6	1602-213	2	O-Ring	24	0502-609	4	●● Valve, Bleed
7	8050-252	1	Washer	25	0502-608	3	● O-Ring, Guide - Set
8	8408-816	1	Screw, Cap	26	0502-605	3	● Bracket Assembly
9	1502-293	1	Brake Assembly (inc. 10)	27	1502-694	3	● Pad, Brake - Set
10	1502-155	1	● Reservoir, Brake w/Clamp	28	0123-788	AR	Tie, Cable - 8 in.
11	1502-296	1	Adapter, Hose	29	1502-115	2	Clip, Brakeline Hose
12	8476-616	1	Screw, Machine	30	1502-902	X	1 Brake Assembly (inc. 31-39)
13	1502-593	1	Hose, Brakeline	31	0502-566	1	● Screw, Machine - Kit
14	0502-785	1	Spring, Brake Switch	32	0502-868	1	● Cover, Reservoir
15	8408-625	2	Screw, Cap	33	0502-568	1	● Screw, Machine - Kit
16	1502-179	1	Bracket, Switch	34	0502-869	1	● Clamp, Master Cylinder
17	0423-413	6	Bolt, Banjo-Fitting	35	0502-704	1	● Master Cylinder Assembly
18	0423-178	12	Washer, Crush	36	1502-904	X	● Lever Assembly - Kit (inc. 37-38)
19	1436-422	1	Caliper, Brake - Right Front (inc. two No. 20 and 21-27)	37	1502-905	X	●● Lock, Brake Lever - Kit
	1436-423	1	Caliper, Brake - Left Front (inc. two No. 20 and 21-27)	38	0502-580	1	●● Lever Pin - Kit
	1436-423	1	Caliper, Brake - Rear (inc. two No. 20 and 21-27)	39	0502-564	1	● Switch, Brake
20	8408-821	6	● Screw, Cap				



GAS TANK ASSEMBLY

0745-868

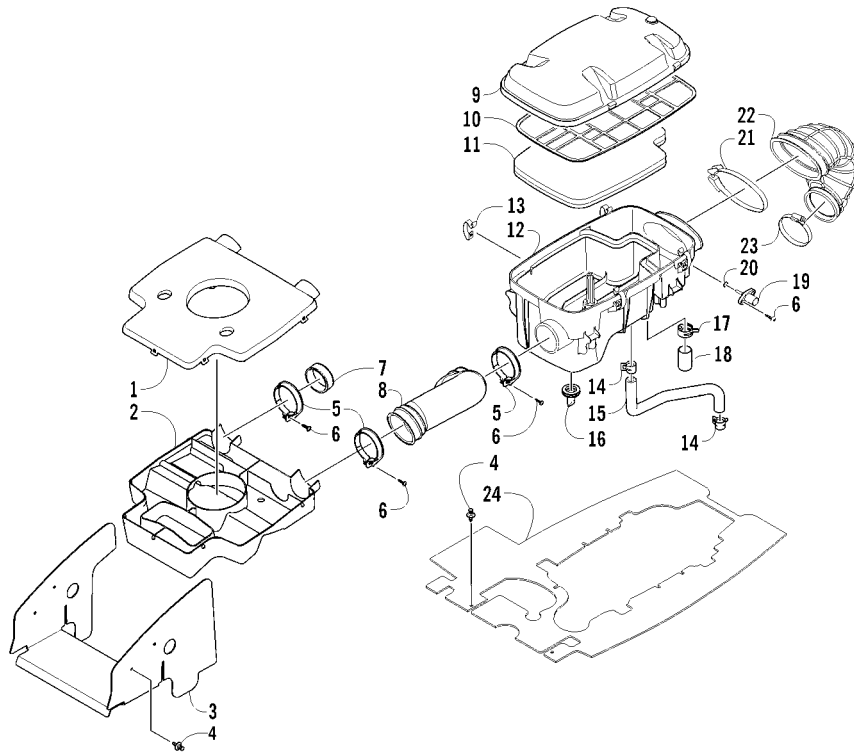
Ref	Part No.	New Qty	Description	Ref	Part No.	New Qty	Description
1	0570-307	1	Tank, Gas - Assembly (inc. 2-5)	12	0510-335	1	Filter, In-Line
2	0470-438	1	● Cap, Gas Tank (inc. 3)	13	0123-788	AR	Tie, Cable - 8 in.
3	0109-733	1	●● Gasket, Gas Tank Cap	14	0410-070	AR	Hose, Gasline - 25 ft
4	0423-898	6	● Screw, Self-Tapping	15	0423-732	2	Screw, Shoulder
5	2670-042	1	● Plate, Retaining	16	0623-038	1	Nut w/Washer
6	0570-322	1	Pump, Fuel - Assembly (inc. 7-8)	17	0423-460	1	Grommet
7	2670-235	1	● Float	18	0423-806	1	Grommet
8	0470-838	1	● Seal	19	0470-710	1	Shield, Heat - Gas Tank - Rear
9	0570-317	1	Hose, Gasline - Assembly	20	0623-797	4	Screw, Self-Tapping
10	0423-688	AR	Clamp, Hose	21	0470-709	1	Shield, Heat - Gas Tank - Front
11	0470-827	1	Bracket, Filter Mounting				



SHIFT LEVER ASSEMBLY

0745-254

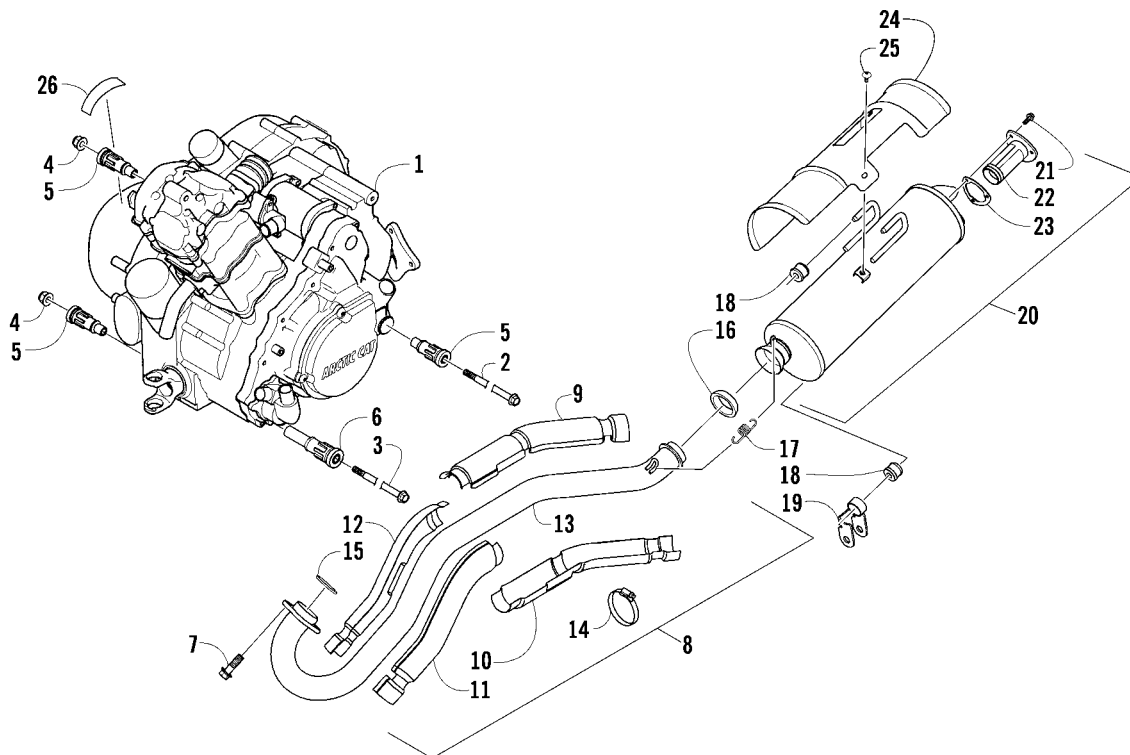
Ref	Part No.	New Qty	Description	Ref	Part No.	New Qty	Description
1	0402-843	1	Knob, Shift	13	0423-087	1	Washer
2	0423-345	1	Clip, Retaining	14	0423-299	2	O-Ring
3	1402-562	1	Plate, Shift	15	8424-802	1	Nut
4	2406-348	1	Shield, Shift Plate	16	1402-621	1	Pin, Mounting
5	0423-357	4	Nut, Stamped	17	0423-091	2	Bushing
6	0502-659	1	Lever, Shift	18	0623-094	2	Washer
7	0402-678	1	Spring, Shift Lever	19	0423-169	2	E-Ring
8	1502-332	1	Actuator, Shift	20	1502-622	1	Linkage, Shift - Assembly (inc. 21-23)
9	8424-602	1	Nut	21	0123-917	1	● Nut, Hex - Left-Hand Thread
10	0423-182	2	O-Ring	22	1402-619	1	● Coupler
11	0402-675	1	Axle, Pivot	23	0623-294	1	● Nut, Hex - Right-Hand Thread
12	8408-812	1	Screw, Cap				



AIR INTAKE ASSEMBLY

0744-541

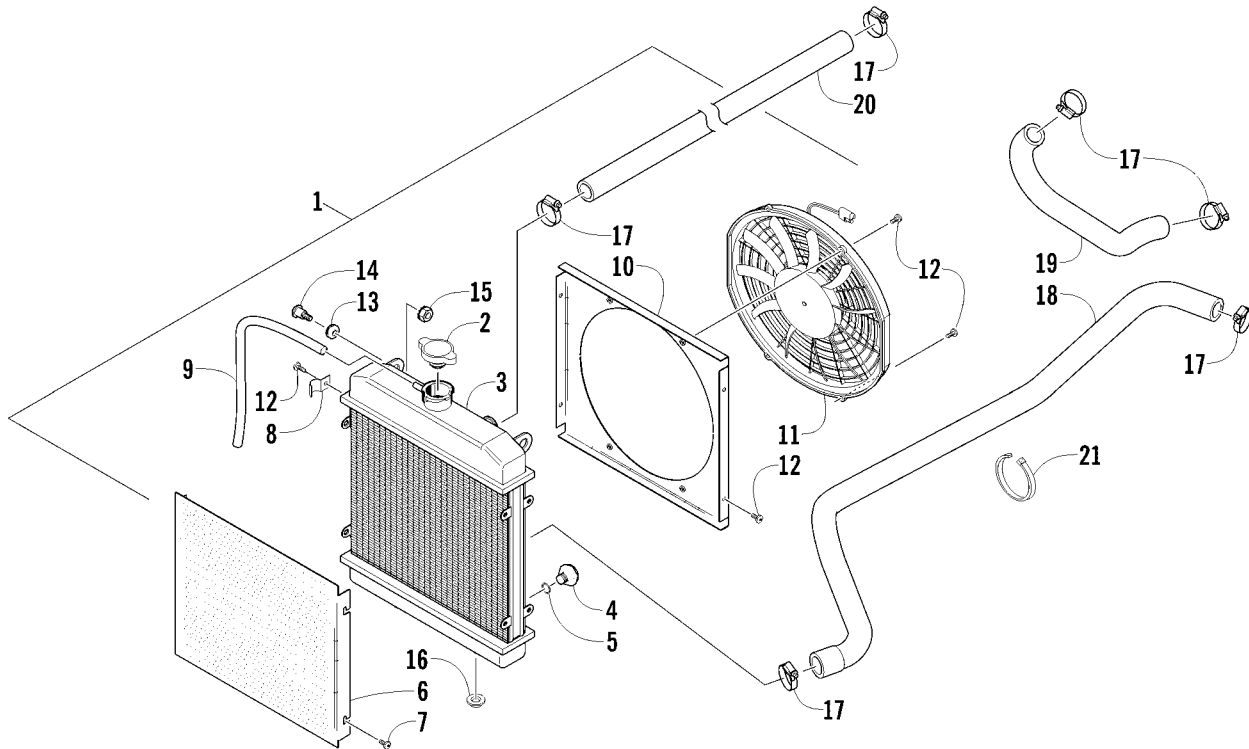
Ref	Part No.	New Qty	Description	Ref	Part No.	New Qty	Description
1	0413-091	1	Diverter, Air - Top	13	0423-455	4	Clip, Spring
2	0413-093	1	Diverter, Air - Bottom	14	1623-281	2	Clamp, Hose
3	2406-013	1	Shroud, Splash	15	0410-172	1	Hose, Vent
4	0623-362	4	Rivet, Reinstallable	16	0470-442	1	Valve, Drain
5	0423-551	3	Clamp	17	1623-287	1	Clamp
6	0423-342	5	Screw, Self-Tapping	18	0423-766	1	Cap, Drain
7	0413-096	1	Cap, Air Intake - Diverter	19	0430-055	1	Sensor, Air Temperature (inc. 20)
8	0470-529	1	Duct, Air Intake - Engine	20	5507-224	1	● O-Ring
9	0470-877	1	Cover, Intake	21	0423-554	1	Clamp
10	0470-560	1	Screen, Air Filter	22	0470-511	1	Boot
11	0470-558	1	Filter, Air	23	0423-019	1	Clamp
12	0470-728	1	Housing, Intake	24	2416-150	1	Panel, Shield



ENGINE AND EXHAUST

0743-292

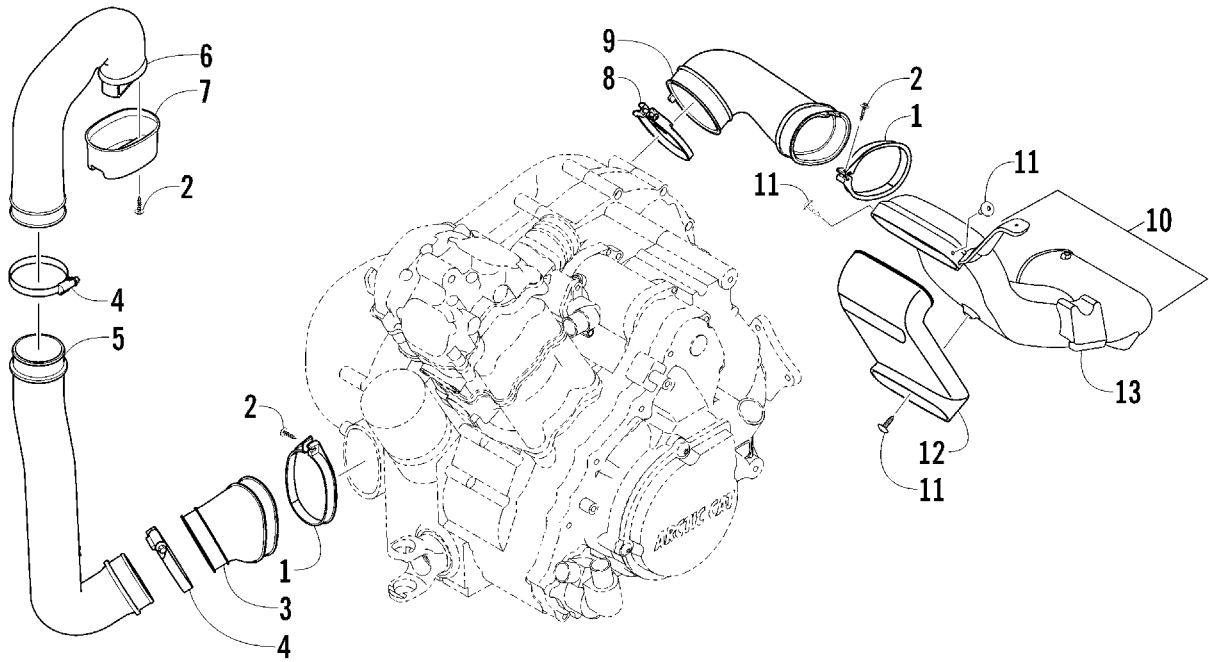
Ref	Part No.	New Qty	Description	Ref	Part No.	New Qty	Description
1	0800-093	1	Engine, A550F	14	0423-317	4	● Clamp
2	0423-451	1	Screw, Cap	15	0412-338	1	Gasket, Exhaust
3	0423-405	1	Screw, Cap	16	0412-375	1	Seal, Exhaust
4	8428-002	2	Nut, Lock	17	0612-668	2	Spring, Extension
5	0801-129	3	Mount, Rubber - Engine	18	0412-577	3	Bushing
6	0801-122	1	Mount, Rubber - Engine	19	1506-732	1	Channel, Muffler Support
7	8408-820	2	Screw, Cap	20	0512-355	1	Muffler - Assembly (inc. 21-23)
8	0512-345	1	Pipe, Exhaust - Assembly (inc. 9-14)	21	8408-616	3	● Screw, Cap
9	0412-350	1	● Shield, Exhaust Pipe - Outer - Rear	22	0512-219	1	● Arrester, Spark - Assembly
10	0412-339	1	● Shield, Exhaust Pipe - Inner - Rear	23	0412-313	1	● Gasket, Spark Arrester
11	0412-349	1	● Shield, Exhaust Pipe - Inner - Front	24	0412-373	1	Cover, Muffler
12	0412-348	1	● Shield, Exhaust Pipe - Outer - Front	25	8477-610	3	Screw, Machine
13	0512-344	1	● Pipe, Exhaust	26	0411-426	1	Decal, Warning - Clutch Cover



COOLING ASSEMBLY

0745-858

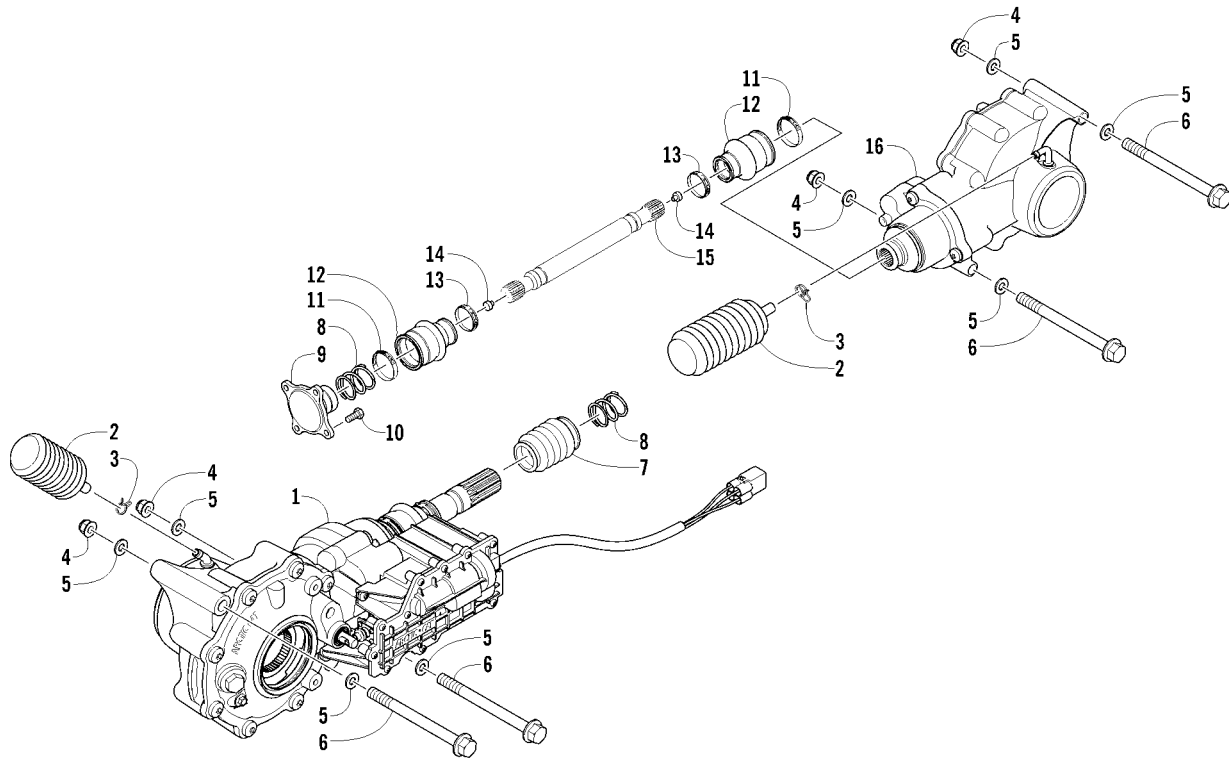
Ref	Part No.	New Qty	Description	Ref	Part No.	New Qty	Description
1	0413-256	1	Radiator Assembly (inc. 2-13)	11	0413-123	1	● Fan, Cooling
2	0413-255	1	● Cap	12	0623-378	8	● Screw, Self-Tapping
3	0413-205	1	● Radiator	13	0423-030	2	● Grommet
4	0413-195	1	● Plug, Drain	14	0423-484	2	Screw, Shoulder
5	1602-213	1	● O-Ring	15	0623-038	2	Nut w/Washer
6	0413-007	1	● Screen	16	0423-028	2	Bushing, Stem
7	8475-512	4	● Screw, Machine	17	0423-496	6	Clamp, Hose
8	0423-351	1	● Clamp, Wire	18	0410-229	1	Hose, Coolant - Lower
9	0610-016	AR	● Hose - 25 ft	19	0410-022	1	Hose, Coolant - Crossover
	0610-015	AR	● Hose - 100 ft	20	0410-002	1	Hose, Coolant - Upper
10	0413-203	1	● Shroud, Fan	21	0123-903	AR	Tie, Cable - 11.5 in.



CASE/BELT COOLING ASSEMBLY

0744-433

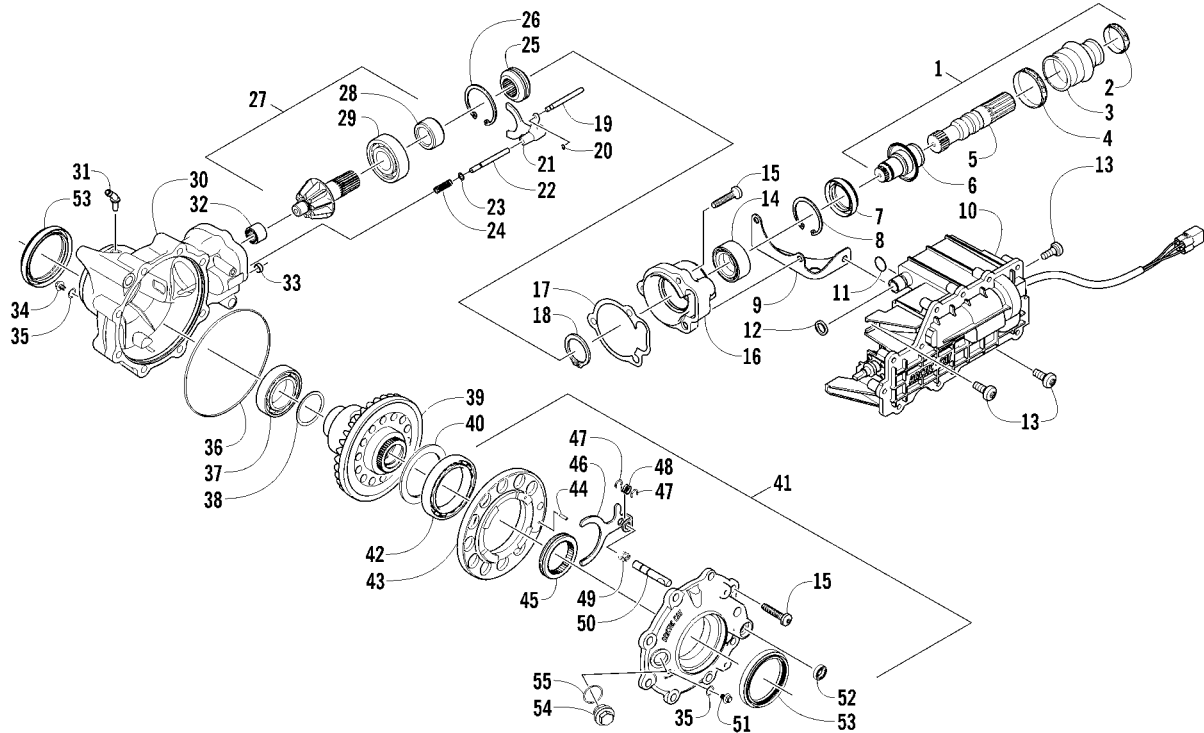
Ref	Part No.	New Qty	Description	Ref	Part No.	New Qty	Description
1	0423-550	2	Clamp, Plastic	8	0423-730	1	Clamp
2	0423-342	4	Screw, Self-Tapping	9	0413-206	1	Boot, Duct - Air Out - Rear
3	0413-252	1	Boot, Duct - Air Intake - Front	10	0470-824	1	Duct, Air Out - Rear
4	0423-019	2	Clamp	11	0623-784	4	● Screw, Self-Tapping
5	0413-250	1	Duct, Air Intake - Front - Lower	12	0470-778	1	● Duct
6	0470-750	1	Duct, Air Intake - Front - Upper	13	0470-825	1	● Duct
7	0470-729	1	Cup, Air Intake				



DRIVE TRAIN ASSEMBLY

0745-861

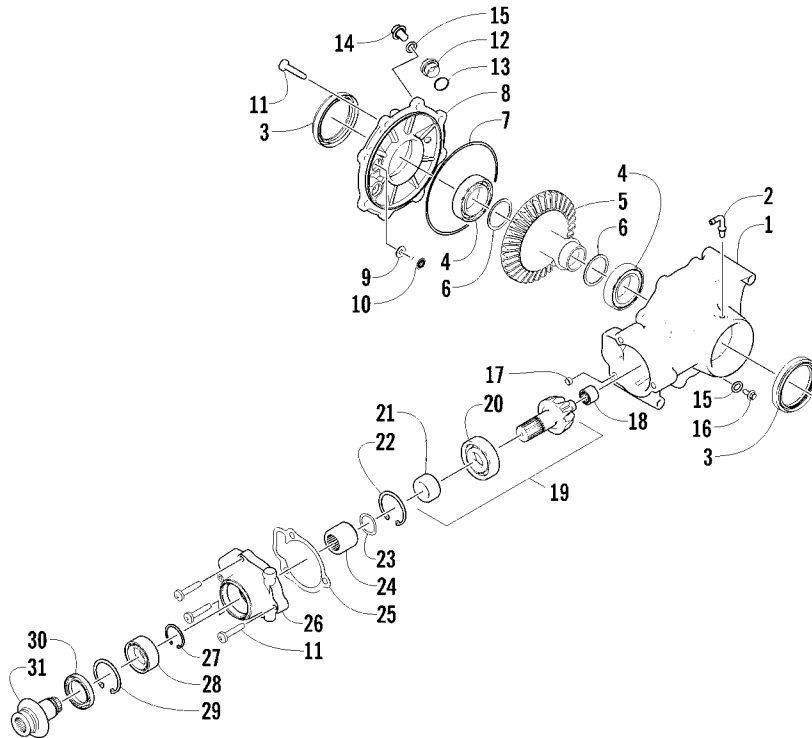
Ref	Part No.	New	Qty	Description	Ref	Part No.	New	Qty	Description
1	1502-878	X	1	Gearcase, Front	9	0402-950		1	Flange, Output
2	1402-620		2	Bladder, Gearcase	10	8408-820		4	Screw, Cap
3	0423-315		2	Clamp, Hose	11	0423-393		2	Clamp
4	8428-002		4	Nut, Lock	12	0402-985		2	Boot
5	0423-426		8	Washer	13	0423-411		2	Clamp
6	0423-404		4	Screw, Cap	14	0673-618		2	Bumper, Propeller Shaft
7	0402-966		1	Boot, Shaft	15	1402-233		1	Shaft, Propeller
8	1402-026		2	Spring	16	1502-879	X	1	Gearcase, Rear



FRONT DRIVE GEARCASE ASSEMBLY

0745-863

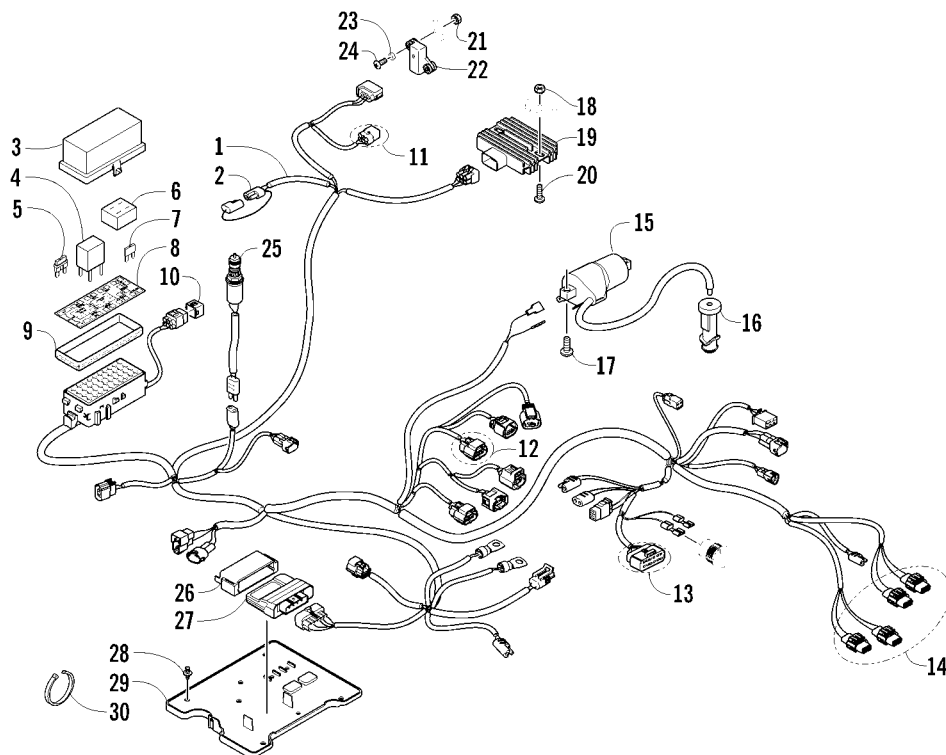
Ref	Part No.	New	Qty	Description	Ref	Part No.	New	Qty	Description
-	1502-878	X	1	Complete Front Drive Gearcase Assembly	32	0402-328		1	Bearing
1	1502-083		1	Shaft, Propeller - Assembly (inc. 2-6)	33	0402-411		1	Pin, Dowel
2	0423-411		1	● Clamp	34	1402-210		1	Plug, Magnetic (inc. one No. 35)
3	0402-985		1	● Boot, Propeller Shaft	35	0423-153		2	● O-Ring
4	0423-393		1	● Clamp	36	0423-149		1	O-Ring
5	1402-045		1	● Shaft, Output	37	0402-393		1	Bearing
6	1502-085		1	● Shaft, Input	38	0402-405		AR	Shim, 41 x 49 x 1.3 mm
7	1402-011		1	Seal		0402-406		AR	Shim, 41 x 49 x 1.4 mm
8	0423-423		1	Ring, Retaining		0402-407		AR	Shim, 41 x 49 x 1.5 mm
9	1502-237		1	Bracket, Actuator		0402-408		AR	Shim, 41 x 49 x 1.6 mm
10	1502-909	X	1	Actuator (inc. 11)		0402-409		AR	Shim, 41 x 49 x 1.7 mm
11	1402-981		1	● O-Ring	39	1502-860	X	1	Gear, Ring - 36T
12	0423-892		1	O-Ring	40	1402-074		AR	Shim, 61 x 69 x 1.3 mm
13	0423-396		3	Screw, Self-Tapping		1402-075		AR	Shim, 61 x 69 x 1.4 mm
14	1402-043		1	Bearing		1402-076		AR	Shim, 61 x 69 x 1.5 mm
15	0423-118		11	Screw, Self-Tapping		1402-077		AR	Shim, 61 x 69 x 1.6 mm
16	0502-528		1	Housing, Pinion		1402-078		AR	Shim, 61 x 69 x 1.7 mm
17	0402-947		1	Gasket, Flange	41	1502-895	X	1	Cover, Gearcase (inc. one No. 35, 42-52, and one No. 53)
18	0423-417		1	Ring, Retaining	42	1402-053		1	● Bearing
19	0402-997		1	Shaft, Selector	43	0502-413		1	● Flange, Bearing
20	0423-402		1	Ring, Retaining	44	1402-079		1	● Pin, Parallel
21	0402-998		1	Fork, Selector	45	1402-042		1	● Collar, Sliding
22	0402-417		1	Shaft, Shuttle	46	1402-054		1	● Fork
23	0423-147		1	O-Ring	47	1402-058		2	● Ring, Retaining
24	0402-999		1	Spring, Return	48	1402-057		1	● Spring
25	0402-413		1	Coupler, Drive	49	1402-063		1	● Spring
26	1423-067	X	1	Ring, Retaining	50	1402-656		1	● Shaft, Lock
27	1502-863	X	1	Gear, Pinion - Assembly - 10T (inc. 28-29)	51	1402-211		1	● Plug, Oil Level (inc. one No. 35)
28	1402-977	X	1	● Collar, Retaining	52	1402-056		1	● Seal
29	0402-327		1	● Bearing	53	1402-950	X	2	● Seal
30	1502-856	X	1	Housing, Gearcase	54	0402-333		1	Plug, Fill (inc. 55)
31	1402-980	X	1	Fitting, Elbow	55	0423-154		1	● O-Ring



REAR DRIVE GEARCASE ASSEMBLY

0745-864

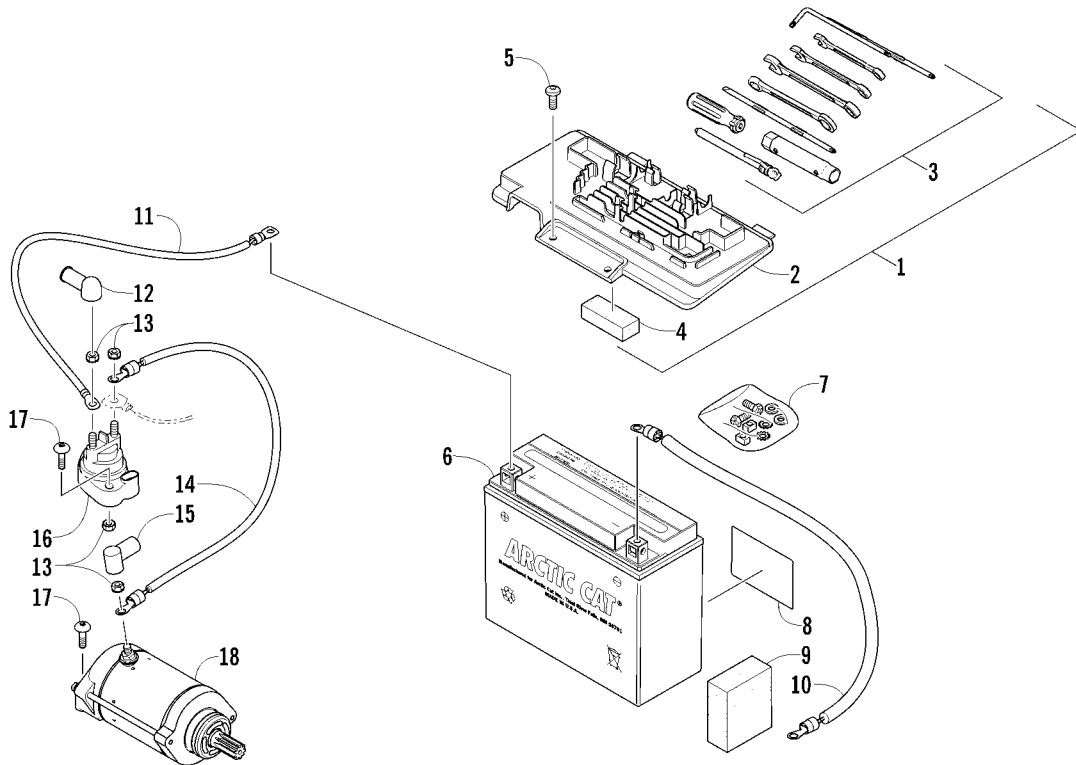
Ref	Part No.	New	Qty	Description	Ref	Part No.	New	Qty	Description
-	1502-879	X	1	Complete Rear Drive Gearcase Assembly	12	0402-333		1	Plug, Magnetic (inc. 13)
1	1502-896	X	1	Housing, Gearcase	13	0423-154		1	● O-Ring
2	1402-442		1	Fitting, Elbow	14	1402-211		1	Plug, Oil Level (inc. one No. 15)
3	1402-950	X	2	Seal	15	0423-153		2	● O-Ring
4	0402-393		2	Bearing	16	1402-210		1	Plug, Fill (inc. one No. 15)
5	1402-032		1	Gear, Ring - 36T	17	0402-411		1	Pin, Dowel
6	0402-405	AR		Shim, 41 x 49 x 1.3 mm	18	0402-328		1	Bearing
	0402-406	AR		Shim, 41 x 49 x 1.4 mm	19	1502-863	X	1	Gear, Pinion - Assembly - 10T (inc. 20-21)
	0402-407	AR		Shim, 41 x 49 x 1.5 mm	20	0402-327		1	● Bearing
	0402-408	AR		Shim, 41 x 49 x 1.6 mm	21	1402-977	X	1	● Collar, Retaining
	0402-409	AR		Shim, 41 x 49 x 1.7 mm	22	1423-067	X	1	Ring, Retaining
7	0423-149		1	O-Ring	23	0402-982		1	Washer, Wave
8	1502-897	X	1	Cover, Gearcase	24	0402-981		1	Collar, Shaft
9	0402-429	AR		Shim, 6.3 x 18 x 1.3 mm	25	0402-947		1	Gasket, Flange
	0402-430	AR		Shim, 6.3 x 18 x 1.4 mm	26	0502-529		1	Housing, Pinion
	0402-431	AR		Shim, 6.3 x 18 x 1.5 mm	27	0423-417		1	Ring, Retaining
	0402-432	AR		Shim, 6.3 x 18 x 1.6 mm	28	1402-043		1	Bearing
	0402-433	AR		Shim, 6.3 x 18 x 1.7 mm	29	0423-423		1	Ring, Retaining
10	0402-326		1	Button, Thrust	30	1402-011		1	Seal
11	0423-118		11	Screw, Self-Tapping	31	1502-085		1	Shaft, Input



WIRING HARNESS ASSEMBLY

0745-255

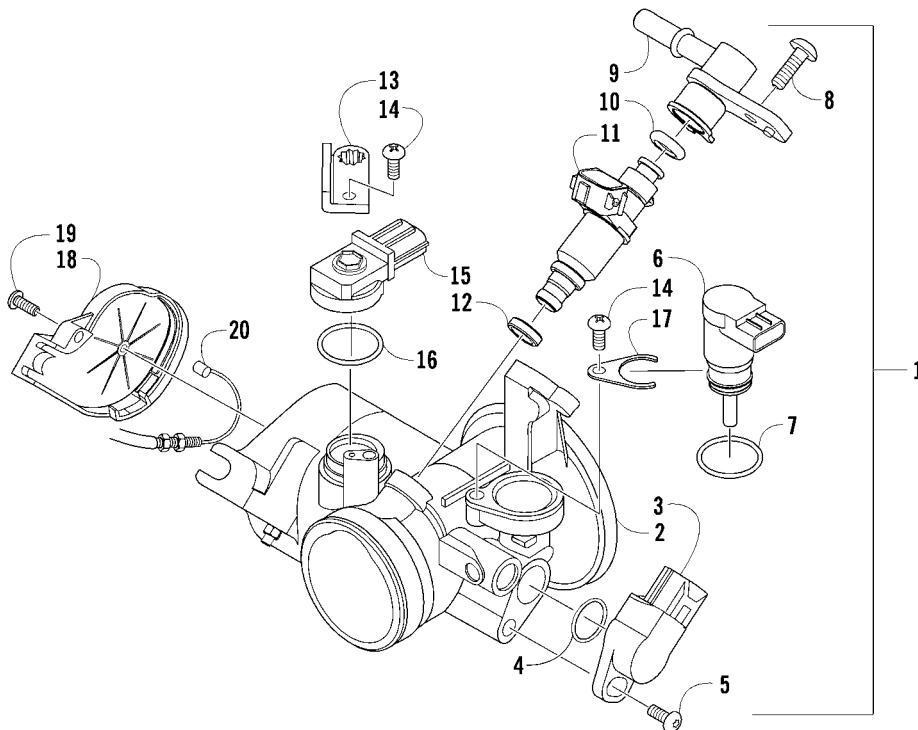
Ref	Part No.	New Qty	Description	Ref	Part No.	New Qty	Description
1	0486-385	1	Harness, Main (inc. 2-10)	15	0824-043	1	Coil, Ignition
2	0486-164	1	● Tether, Accessory Connector	16	0824-049	1	Cap, Spark Plug
3	0430-085	1	● Cover, Fuse Block	17	8476-620	2	Screw, Machine
4	0430-045	6	● Relay (4-Pin) - 20 Amp	18	0623-038	2	Nut w/Washer
5	0430-034	2	● Diode	19	0824-037	1	Regulator, Voltage
6	0430-037	1	● Holder, Fuse	20	8476-625	2	Screw, Machine
7	0430-032	5	● Fuse - 10 Amp	21	0423-493	2	Nut w/Washer
	0430-031	4	● Fuse - 15 Amp	22	0409-064	1	Sensor, Tilt
	0430-030	3	● Fuse - 30 Amp	23	0123-802	2	Washer
8	2411-213	1	● Decal, Fuse Block	24	8468-425	2	Screw, Machine
9	0430-086	1	● Seal	25	0409-089	1	Switch, Brake - Assembly
10	0430-097	1	● Cover, Diagnostics Connector	26	0430-076	1	Cushion, ECU
11	1436-416	1	Repair Kit, Connector - Tilt Sensor	27	0530-069	X 1	ECU
12	1436-417	1	Repair Kit, Connector - Idle Speed Control	28	0623-362	3	Rivet, Reinstallable
13	1436-415	1	Repair Kit, Connector - LCD Gauge	29	2406-643	1	Tray, Electrical
14	1436-290	AR	Repair Kit, Connector - Headlight	30	0123-788	AR	Tie, Cable - 8 in.
					0123-903	AR	Tie, Cable - 11.5 in.



BATTERY AND STARTER ASSEMBLY

0745-257

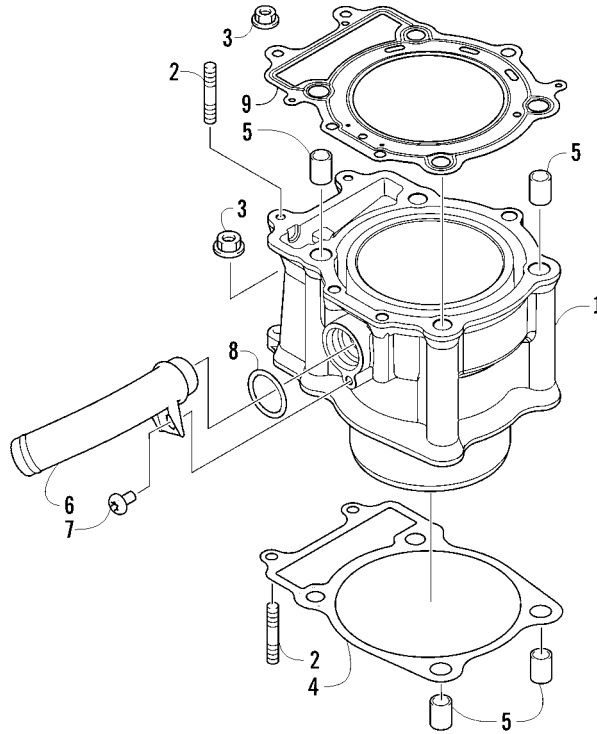
Ref	Part No.	New Qty	Description	Ref	Part No.	New Qty	Description
1	5991-655	1	Battery Cover/Tool Tray Assembly (inc. 2-4)	10	0445-070	1	Cable, Battery/Ground
2	2406-815	1	● Cover, Battery	11	0445-062	1	Cable, Battery/Solenoid
3	0444-122	1	● Kit, Tool	12	0645-327	1	Boot, Terminal
4	0417-016	1	● Pad, Battery	13	0623-038	5	Nut w/Washer
5	8476-620	2	Screw, Machine	14	0445-064	1	Cable, Solenoid/Starter (inc. 15)
6	0645-480	1	Battery Assembly (inc. 7-8)	15	0645-019	1	● Boot, Terminal
7	0445-082	1	● Kit, Hardware	16	0445-058	1	Solenoid
8	0645-430	1	● Decal, Warning	17	8476-625	4	Screw, Machine
9	0417-012	1	Foam, Battery	18	0825-013	1	Motor, Starter - Assembly



THROTTLE BODY ASSEMBLY

0742-670

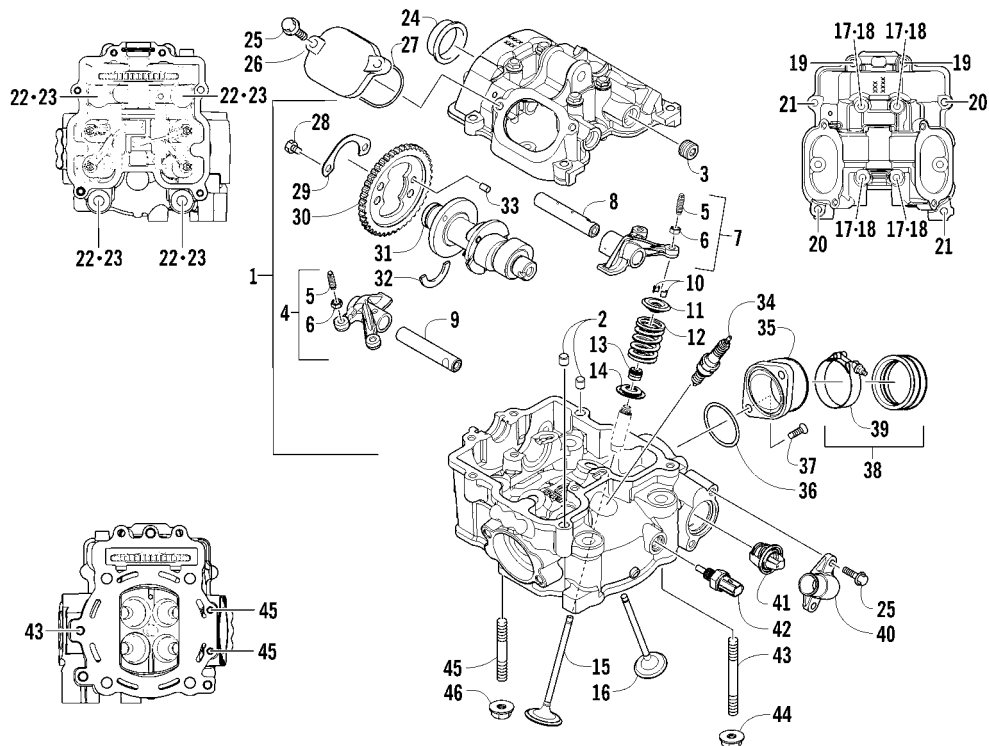
Ref	Part No.	New Qty	Description	Ref	Part No.	New Qty	Description
1	0470-753	1	Throttle - Assembly (inc. 2-19)	11	0470-762	1	● Injector, Fuel
2	-	1	● Throttle Body - Not a Service Part	12	0470-768	1	● Seal
3	0430-072	1	● Sensor, Throttle Position	13	5507-227	1	● Bracket, MAP Sensor
4	5507-234	1	● O-Ring	14	5507-117	2	● Screw, Machine
5	5507-231	1	● Screw, Machine	15	0430-073	1	● Sensor, MAP
6	0430-074	1	● Valve, ISC	16	5507-232	1	● O-Ring
7	5507-233	1	● O-Ring	17	5507-229	1	● Plate, ISC Valve
8	5507-238	1	● Screw, Machine	18	5507-223	1	● Cover
9	0470-687	1	● Rail, Fuel	19	5507-037	1	● Screw, Machine
10	0470-767	1	● O-Ring	20	0487-057	1	Cable, Throttle



CYLINDER ASSEMBLY

0744-071

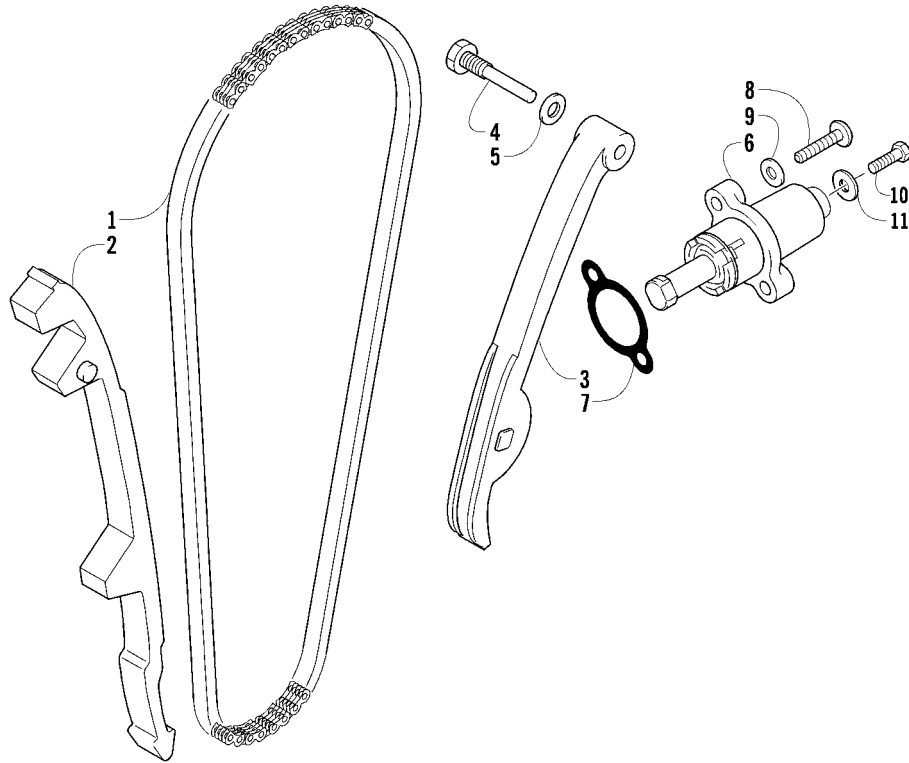
Ref	Part No.	New Qty	Description	Ref	Part No.	New Qty	Description
1	0804-051	1	Cylinder	6	0804-047	1	Union, Coolant Hose
2	0827-002	4	Bolt, Stud	7	8468-612	1	Screw, Machine
3	8424-604	4	Nut	8	0830-007	1	O-Ring
4	0830-084	1	Gasket, Base	9	0830-097	1	Gasket, Cylinder Head
5	0829-002	4	Pin, Dowel				



CYLINDER HEAD AND CAMSHAFT/VALVE ASSEMBLY

0745-901

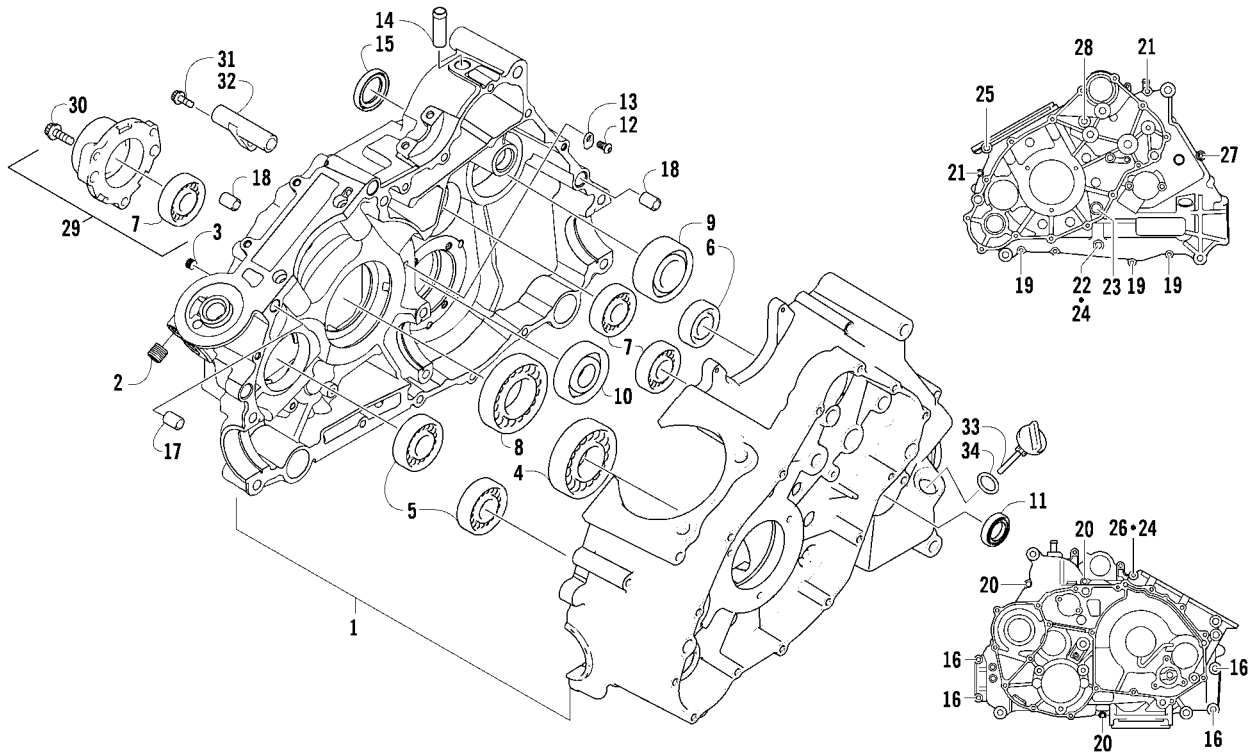
Ref	Part No.	New Qty	Description	Ref	Part No.	New Qty	Description
1	0808-175	1	Head, Cylinder - Assembly (inc. 2-17)	23	0830-147	4	Washer
2	0829-048	2	● Pin, Dowel	24	0808-077	1	Plug, Cylinder Head
3	0831-092	X 2	● Plug, Shaft	25	0826-007	6	Screw, Cap
4	0809-237	1	● Arm, Valve Rocker - Exhaust (inc. two No. 5-6)	26	0808-003	2	Cap, Inspection
5	0809-240	4	●● Screw, Adjuster	27	0830-167	2	O-Ring
6	0827-059	4	●● Nut	28	0826-034	2	Screw, Cap
7	0809-234	1	● Arm, Valve Rocker - Intake (inc. two No. 5-6)	29	0828-004	1	Plate, Retainer
8	0809-241	1	● Shaft, Rocker Arm - Intake	30	0809-212	X 1	Sprocket
9	0809-242	1	● Shaft, Rocker Arm - Exhaust	31	0809-245	1	Camshaft
10	0809-233	8	● Cotter, Valve	32	0809-003	1	C-Ring
11	0809-232	4	● Retainer, Spring	33	0829-049	1	Pin, Dowel
12	0809-231	4	● Spring, Valve	34	0217-799	1	Spark Plug - CPR8E
13	0830-186	4	● Seal, Oil	35	0470-668	1	Flange, Intake Manifold
14	0809-230	4	● Seat, Spring - Valve	36	0830-090	1	O-Ring
15	0809-228	2	● Valve, Intake	37	0826-008	2	Screw, Machine
16	0809-229	2	● Valve, Exhaust	38	0437-069	1	Boot (inc. 39)
17	0826-149	4	● Screw, Cap	39	1423-041	1	● Clamp
18	0830-155	4	Gasket	40	0808-008	1	Cover, Thermostat
19	0826-002	2	Screw, Cap	41	0808-078	1	Thermostat
20	0826-005	2	Screw, Cap	42	0808-124	1	Sensor, Engine Coolant Temperature
21	0826-006	2	Screw, Cap	43	0827-031	1	Bolt, Stud
22	0808-037	4	Screw, Cap	44	8424-804	1	Nut
				45	0827-030	2	Bolt, Stud
				46	8424-604	2	Nut



CAM CHAIN ASSEMBLY

0732-308

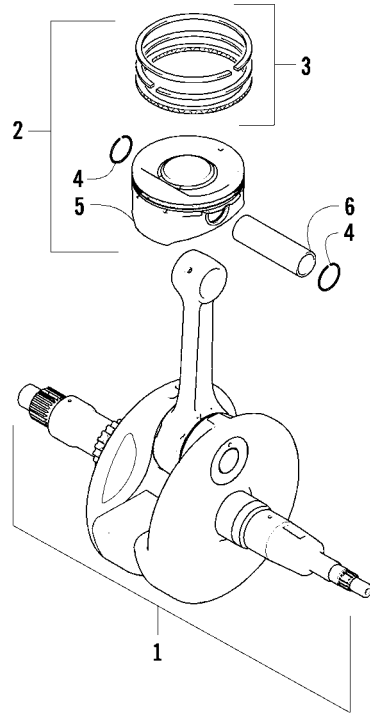
Ref	Part No.	New Qty	Description	Ref	Part No.	New Qty	Description
1	0810-001	1	Chain, Cam	7	0830-018	1	Gasket
2	0810-002	1	Guide, Chain	8	8468-625	2	Screw, Machine
3	0810-003	1	Tensioner, Chain	9	0830-107	2	Gasket
4	0826-036	1	Pivot, Tensioner	10	8400-610	1	Screw, Cap
5	0830-025	1	Washer, Crush	11	0828-129	1	Washer
6	0810-004	1	Adjuster, Tensioner - Assembly				



CRANKCASE ASSEMBLY

0743-953

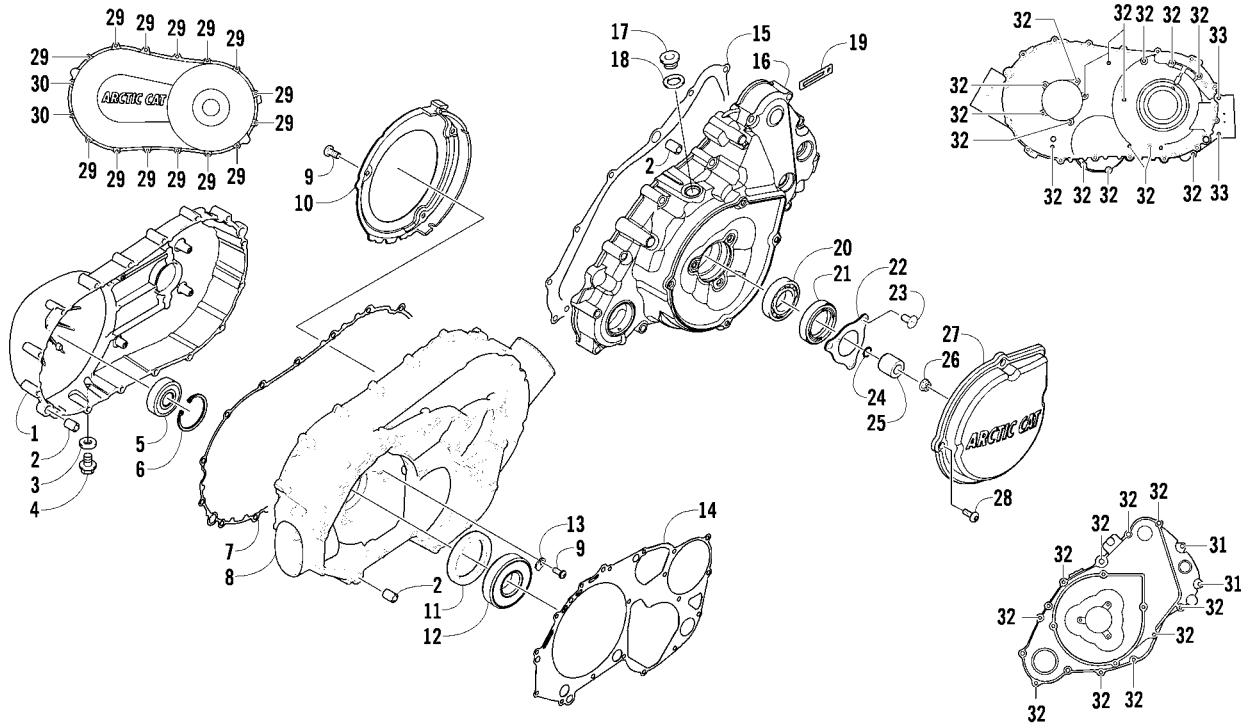
Ref	Part No.	New Qty	Description	Ref	Part No.	New Qty	Description
1	0801-151	1	Crankcase Assembly (inc. 2-15)	19	8468-645	3	Screw, Machine
2	0812-064	2	● Plug	20	8468-655	3	Screw, Machine
3	0801-002	1	● Plug	21	8468-675	2	Screw, Machine
4	0832-043	1	● Bearing	22	8412-860	1	Screw, Cap
5	0832-044	2	● Bearing	23	0826-017	1	Screw, Cap
6	0832-049	1	● Bearing	24	0830-008	2	Gasket
7	0832-050	3	● Bearing	25	0826-019	1	Screw, Cap
8	0832-042	1	● Bearing	26	0826-018	1	Screw, Cap
9	0832-048	1	● Bearing	27	8468-695	1	Screw, Machine
10	0832-077	1	● Bearing	28	8468-680	1	Screw, Machine
11	0822-052	1	● Seal, Countershaft	29	0801-029	1	Housing, Secondary Shaft (inc. one No. 7)
12	0826-100	4	● Screw, Machine	30	0826-105	3	Screw, Cap
13	0822-010	4	● Retainer, Bearing	31	0826-038	1	Screw, Cap
14	0801-028	1	● Pipe, Breather	32	0801-069	1	Pipe, Breather
15	0830-035	1	● Seal, Driveshaft	33	0801-179	1	Stick, Oil Level
16	8412-850	4	Screw, Cap	34	0830-010	1	O-Ring
17	0829-003	1	Pin, Dowel				
18	0829-002	5	Pin, Dowel				



CRANKSHAFT AND PISTON ASSEMBLY

0739-932

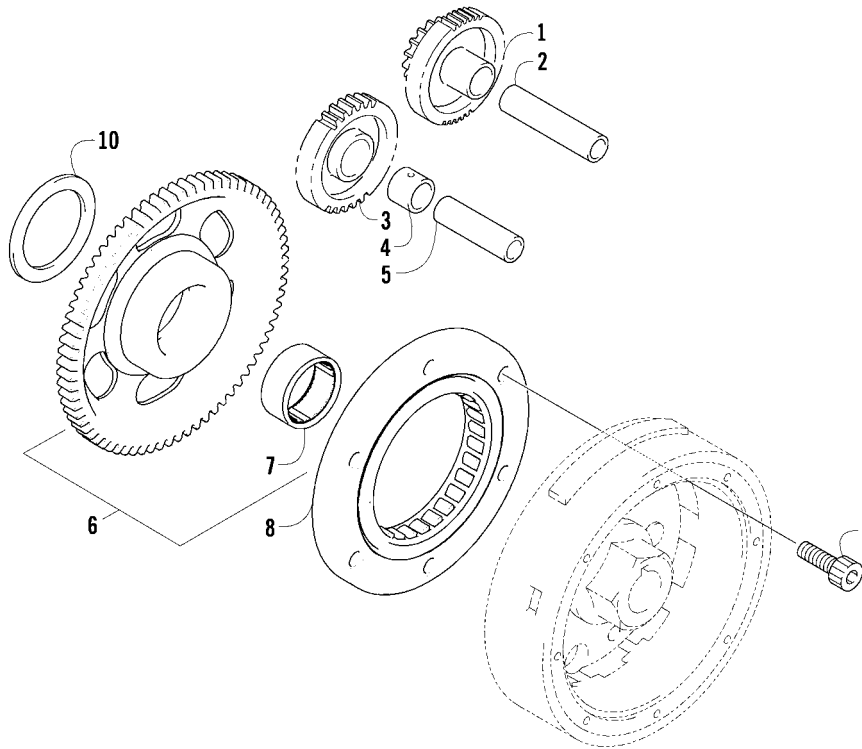
Ref	Part No.	New	Qty	Description	Ref	Part No.	New	Qty	Description
1	0805-325	X	1	Crankshaft Assembly	4	0831-001		2	● Circlip, Piston Pin
2	0805-064		1	Piston Set (inc. 3-6)	5	-		1	● Piston - Not a Service Part
3	0805-065		1	● Ring, Piston - Set	6	0805-012		1	● Pin, Piston



CLUTCH/V-BELT/MAGNETO COVER ASSEMBLY

0743-969

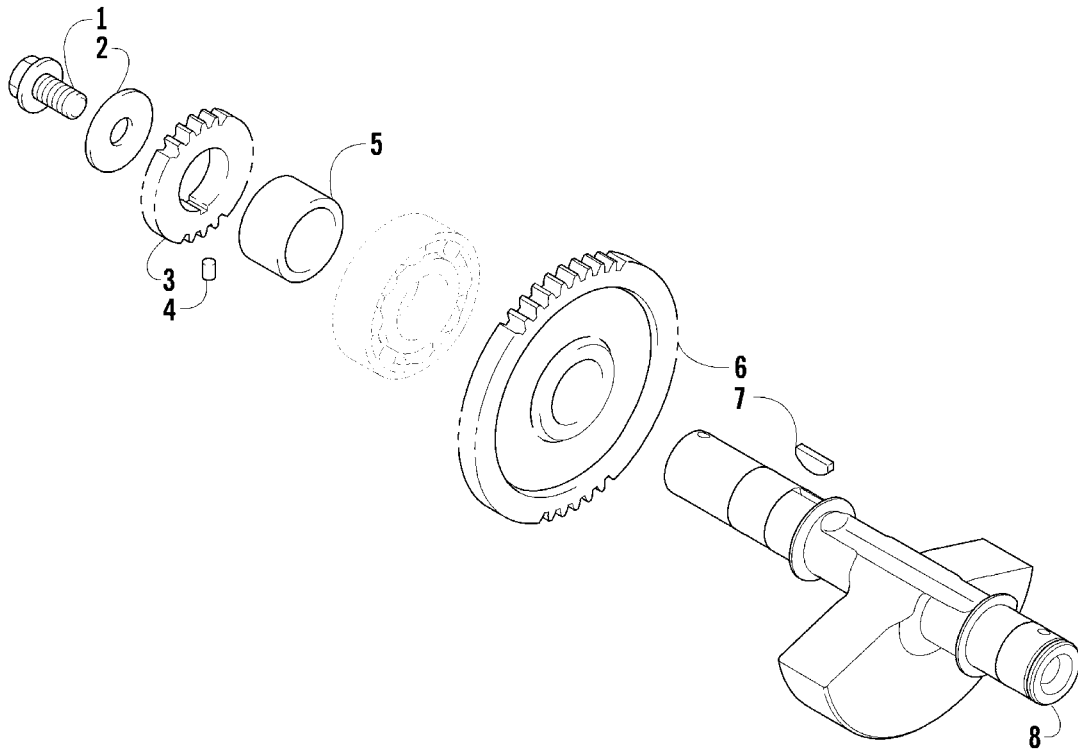
Ref	Part No.	New Qty	Description	Ref	Part No.	New Qty	Description
1	0806-089	1	Cover, V-Belt	18	0830-015	1	Washer, Crush
2	0829-002	6	Pin, Dowel	19	3002-964	1	Clamp, Wire
3	0830-013	1	Washer, Crush	20	1602-981	1	Bearing
4	8408-812	1	Screw, Cap	21	0830-158	1	Seal
5	0832-060	1	Bearing	22	0805-008	1	Retainer, Seal
6	0831-078	1	Ring, Retaining	23	0826-031	3	Screw, Machine
7	0830-174	1	Gasket, V-Belt Cover	24	0830-108	1	O-Ring
8	0806-086	1	Cover, Clutch	25	0820-061	1	Bushing
9	0826-029	5	Screw, Machine	26	0827-008	1	Nut
10	0806-048	1	Plate, Air Intake	27	0820-062	1	Cover, Magneto
11	0830-188	1	Seal	28	8468-616	4	Screw, Machine
12	0832-009	1	Bearing	29	8468-645	14	Screw, Machine
13	0822-010	2	Retainer, Bearing	30	8468-655	2	Screw, Machine
14	0830-116	1	Gasket, Clutch Cover	31	8468-625	2	Screw, Machine
15	0830-128	1	Gasket, Magneto Cover	32	8468-640	26	Screw, Machine
16	0806-082	1	Cover, Magneto - Assembly	33	8468-675	2	Screw, Machine
17	0826-155	1	Plug				



STARTER CLUTCH ASSEMBLY

0739-940

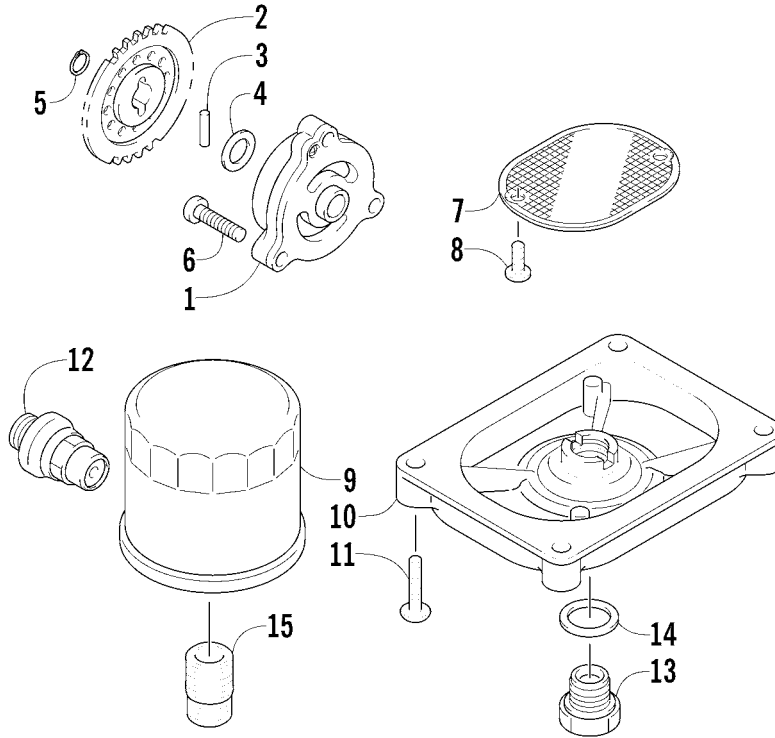
Ref	Part No.	New Qty	Description	Ref	Part No.	New Qty	Description
1	0815-001	1	Gear, Starter Idler - No. 1	6	0815-004	1	Gear, Starter Clutch (inc. 7)
2	0829-031	1	Shaft, Starter Gear	7	0832-079	1	● Bearing
3	0815-002	1	Gear, Starter Idler - No. 2	8	0802-035	1	Clutch, Starter
4	0815-003	1	Spacer, Starter Idler Gear No. 2	9	0826-069	6	Screw, Machine
5	0829-032	1	Shaft, Starter Gear	10	0828-094	1	Washer



CRANK BALANCER ASSEMBLY

0739-941

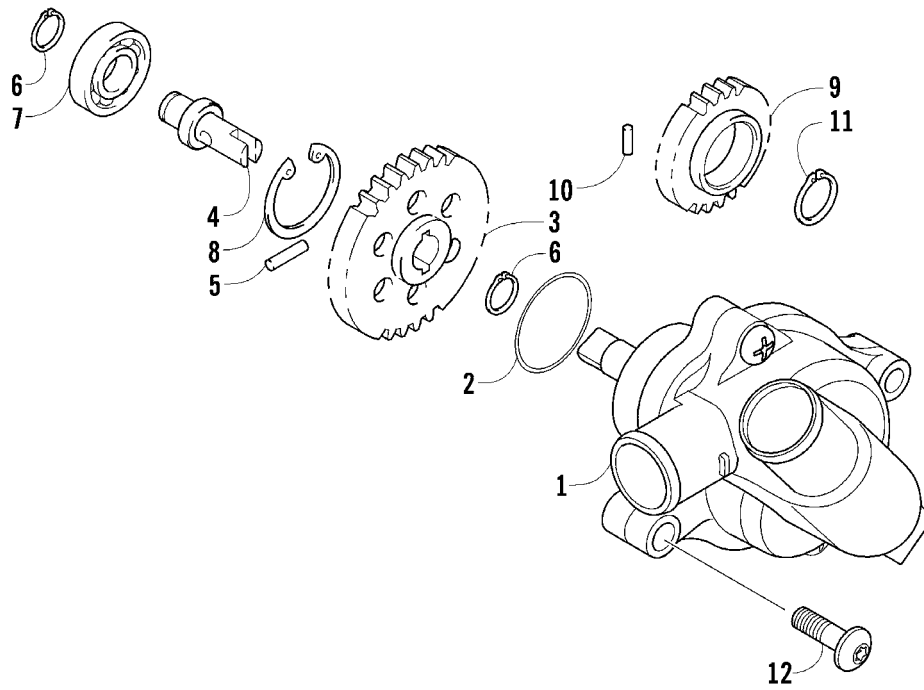
Ref	Part No.	New	Qty	Description	Ref	Part No.	New	Qty	Description
1	0826-033		1	Screw, Cap	5	0811-004		1	Spacer
2	0828-003		1	Washer	6	0811-034		1	Gear, Driven
3	0811-003		1	Gear, Oil Pump Drive	7	0829-006		1	Key
4	0829-007		1	Pin, Dowel	8	0805-304	X	1	Balancer, Crank



OIL FILTER/PUMP ASSEMBLY

0744-012

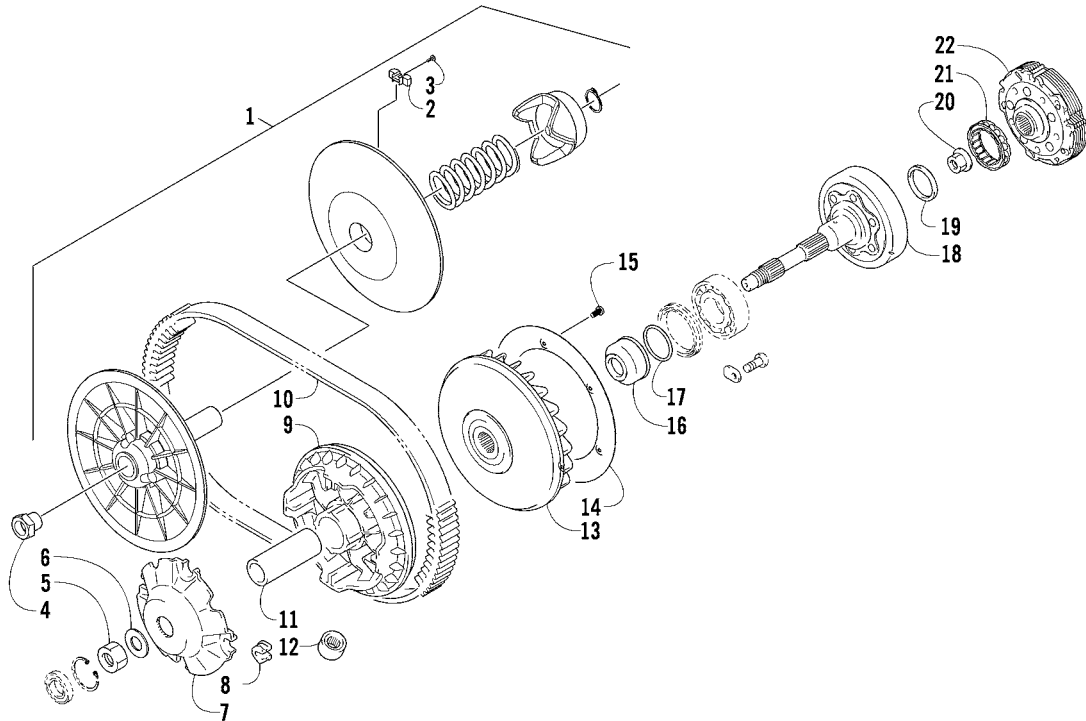
Ref	Part No.	New Qty	Description	Ref	Part No.	New Qty	Description
1	0812-023	1	Pump, Oil	9	0812-029	1	Filter, Oil
2	0812-083	1	Gear, Driven	10	0812-053	1	Cap, Oil Strainer
3	0829-009	1	Pin	11	8468-625	4	Screw, Machine
4	0828-007	1	Washer	12	0812-007	1	Valve, Oil-Relief - Assembly
5	0831-002	1	Ring, Retaining	13	0812-006	1	Plug, Drain
6	0826-039	3	Screw, Machine	14	0830-017	1	Gasket, Drain Plug
7	0812-057	1	Strainer, Oil	15	0812-008	1	Union, Filter
8	0826-040	2	Screw, Machine				



WATER PUMP ASSEMBLY

0739-945

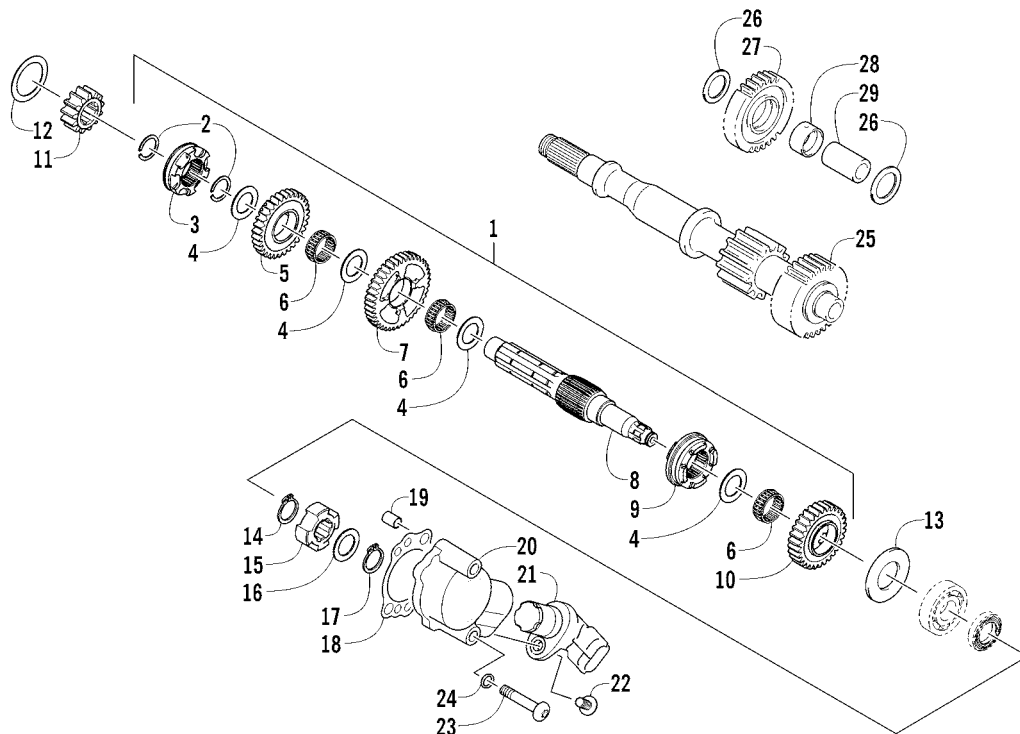
Ref	Part No.	New Qty	Description	Ref	Part No.	New Qty	Description
1	0813-001	1	Pump, Water - Assembly (inc. 2)	7	0832-046	1	Bearing, Shaft
2	0830-029	1	● O-Ring	8	0831-004	1	Ring, Retaining
3	0813-004	1	Gear, Driven	9	0811-003	1	Gear, Water Pump Drive
4	0813-005	1	Shaft, Driven Gear	10	0829-007	1	Pin, Alignment
5	0829-009	1	Pin, Driven Gear	11	0831-005	1	Ring, Retaining
6	0831-002	2	Ring, Retaining	12	8468-665	2	Screw, Machine



TRANSMISSION ASSEMBLY

0743-967

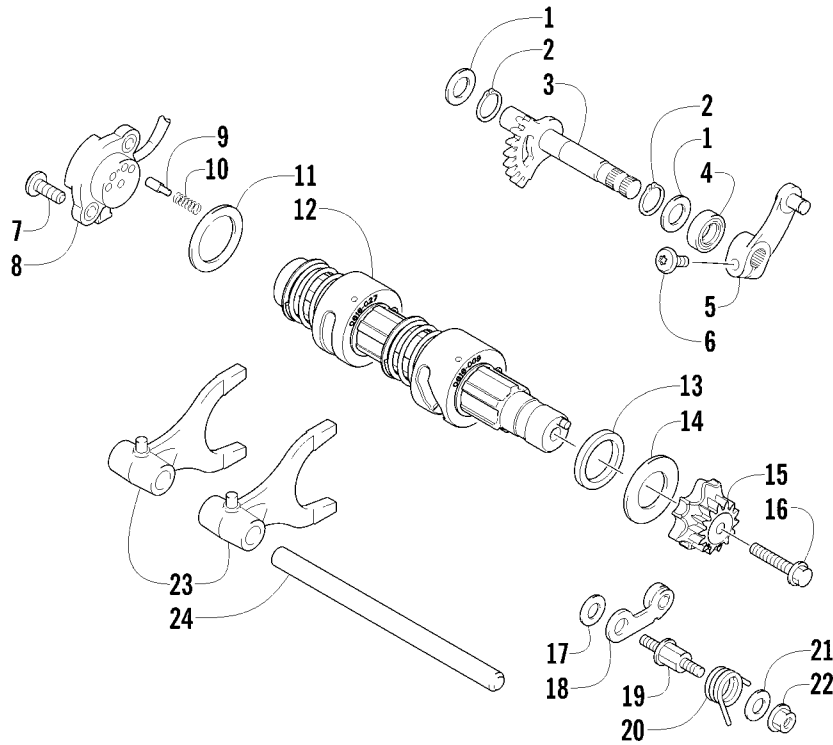
Ref	Part No.	New	Qty	Description	Ref	Part No.	New	Qty	Description
1	0823-353	X	1	Pulley, Driven - Assembly (inc. 2-4)	12	0823-164		8	Roller
2	0823-176		3	● Shoe, Cam	13	0823-272	X	1	Face, Fixed Drive
3	0823-177		3	● Screw, Machine	14	0823-131		1	Shroud, Drive Face
4	0823-178		1	● Nut	15	0623-914		6	Screw, Self-Tapping
5	0827-010		1	Nut	16	0823-015		1	Spacer, Fixed Drive Face
6	0828-106		1	Washer	17	0470-531		1	O-Ring
7	0823-276	X	1	Plate, Movable Drive Face	18	0821-002		1	Housing, Clutch - Assembly
8	0823-277	X	4	Damper, Movable Drive Face	19	0830-189		1	Seal
9	0823-273	X	1	Face, Movable Drive	20	0827-011		1	Nut
10	0823-013		1	Belt, Drive	21	0823-018		1	Clutch, One-Way
11	0823-271	X	1	Spacer	22	0823-310		1	Clutch, Centrifugal - 6 Plate



SECONDARY TRANSMISSION ASSEMBLY

0745-260

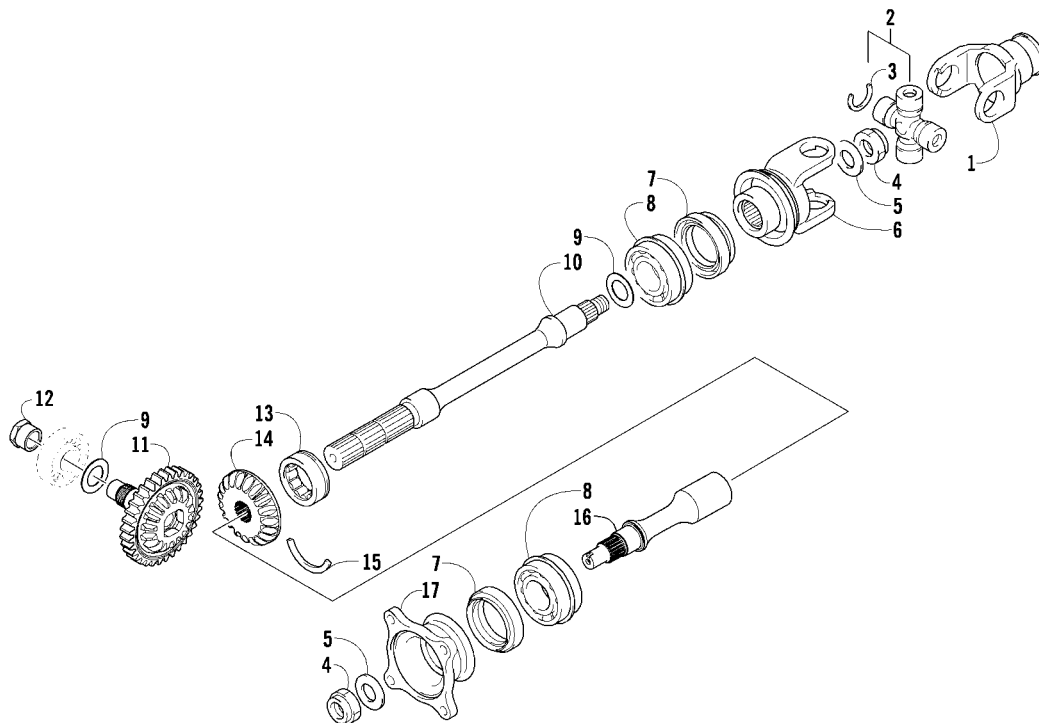
Ref	Part No.	New Qty	Description	Ref	Part No.	New Qty	Description
1	0822-124	1	Countershaft Assembly (inc. 2-10)	16	0828-069	1	Washer, Thrust
2	0831-085	2	● Ring, Retaining	17	0831-039	1	Ring, Retaining
3	0822-120	1	● Gear Select, Reverse	18	0830-129	1	Gasket
4	0822-121	4	● Shim	19	0829-023	2	Pin, Dowel
5	0822-119	1	● Gear, Reverse Driven	20	0822-049	1	Housing, Speedometer Sensor
6	0832-082	3	● Bearing	21	0430-091	1	Sensor, Speedometer
7	0822-114	1	● Gear, Driven - Low	22	8468-620	1	Screw, Machine
8	0822-113	1	● Countershaft	23	8468-645	2	Screw, Machine
9	0822-116	1	● Gear Select, Sliding	24	0830-107	2	Gasket
10	0822-115	1	● Gear, Driven - High	25	0822-001	1	Driveshaft
11	0822-125	1	Gear, Drive	26	0828-016	2	Washer, Thrust
12	0828-019	1	Washer, Thrust	27	0822-011	1	Gear, Reverse Idle
13	0828-011	1	Washer	28	0822-012	1	Bushing
14	0831-040	1	Ring, Retaining	29	0822-015	1	Shaft, Reverse Idle
15	0822-050	1	Trigger, Speedometer Sensor				



GEAR SHIFTING ASSEMBLY

0745-773

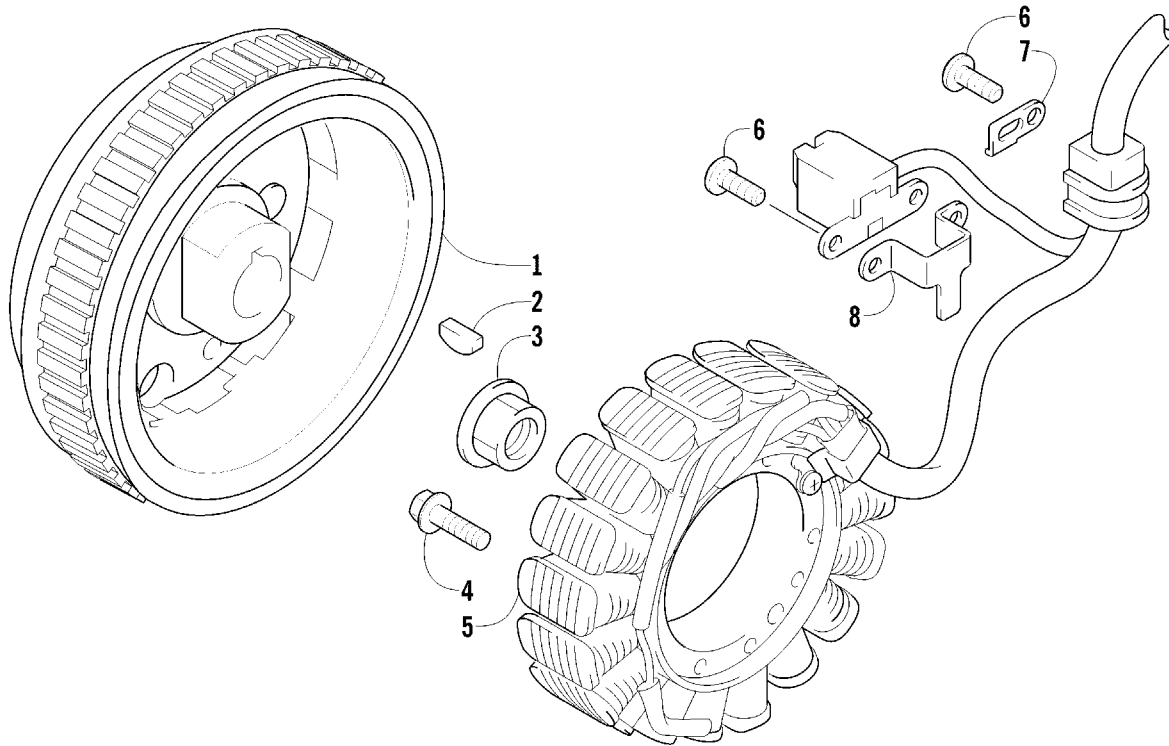
Ref	Part No.	New	Qty	Description	Ref	Part No.	New	Qty	Description
1	0828-036		2	Washer	13	0828-131	X	1	Spacer
2	0831-010		2	Ring, Retaining	14	0828-037		1	Washer
3	0818-007		1	Shaft, Sub-Gear Shift	15	0818-089		1	Plate, Gear Shift Cam
4	0830-044		1	Seal, Sub-Gear Shift Shaft	16	0826-006		1	Screw, Cap
5	0818-014		1	Arm, Select	17	0828-038		1	Washer
6	8468-620		1	Screw, Machine	18	0818-002		1	Stopper, Cam
7	8470-520		2	Screw, Machine	19	0818-004		1	Support, Cam Stopper
8	0409-090		1	Switch, Gear Position	20	0818-090		1	Spring
9	0818-013		2	Contact	21	0828-035		1	Washer
10	0818-017		2	Spring	22	8424-602		1	Nut
11	0828-040		1	Washer	23	0818-072		2	Fork, Shift
12	0818-046		1	Shaft, Gear Shift - Assembly	24	0818-006		1	Shaft, Shift Fork



SECONDARY DRIVE ASSEMBLY

0743-766

Ref	Part No.	New Qty	Description	Ref	Part No.	New Qty	Description
1	0819-063	1	Yoke, Propeller Shaft Joint	10	0819-089	1	Shaft, Secondary Driven - Front
2	1402-164	1	Joint, Universal - Set (inc. 3)	11	0822-131	1	Gear, Secondary Drive
3	0423-450	4	● Ring, Retaining	12	0827-052	1	Nut
4	0827-013	2	Nut	13	0832-016	1	Bearing
5	0828-020	2	Washer	14	0822-106	1	Gear, Secondary Driven
6	0819-061	1	Yoke, Drive Output	15	0819-011	1	Ring, Driven Bearing
7	0830-043	2	Seal, Oil	16	0819-053	1	Shaft, Secondary Driven - Rear
8	0832-017	2	Bearing	17	0819-005	1	Flange, Output Joint
9	0828-021	AR	Shim, 25 x 34 x 0.25 mm				
	0828-022	AR	Shim, 25 x 34 x 0.30 mm				
	0828-023	AR	Shim, 25 x 34 x 0.70 mm				
	0828-024	AR	Shim, 25 x 34 x 0.90 mm				
	0828-025	AR	Shim, 25 x 34 x 0.95 mm				
	0828-026	AR	Shim, 25 x 34 x 1.00 mm				
	0828-027	AR	Shim, 25 x 34 x 1.05 mm				
	0828-028	AR	Shim, 25 x 34 x 1.10 mm				
	0828-029	AR	Shim, 25 x 34 x 1.15 mm				



MAGNETO ASSEMBLY

0746-022

Ref	Part No.	New Qty	Description	Ref	Part No.	New Qty	Description
1	0802-048	1	Rotor/Flywheel	5	0802-041	1	Stator - Assembly
2	0829-012	1	Key	6	8470-510	3	Screw, Machine
3	0827-014	1	Nut	7	0802-015	1	Clamp - No. 1
4	8409-632	3	Screw, Cap	8	0802-016	1	Clamp - No. 2

