

TABLE OF CONTENTS

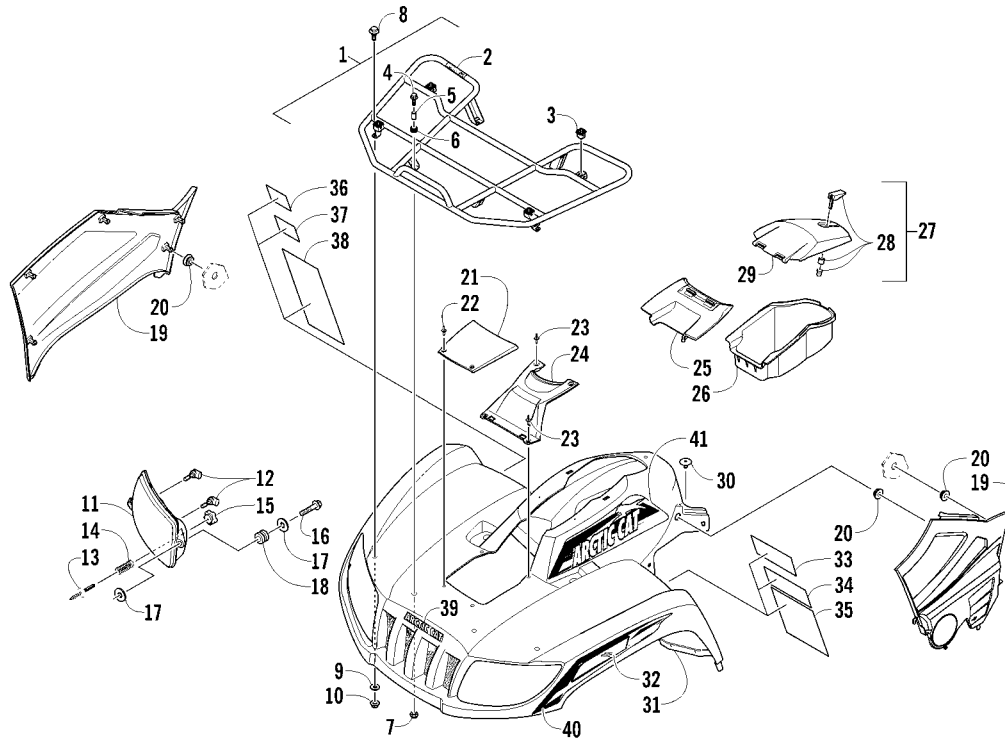
2012 ATV 1000 GT

Orange (Model No. A2012AGW1PUSY)

Orange - International (Model No. A2012AGW1POSY)

FRONT RACK, BODY PANEL, AND HEADLIGHT ASSEMBLIES	1
REAR RACK, BODY PANEL, AND FOOTWELL ASSEMBLIES	2
FRAME AND RELATED PARTS	3
TAILLIGHT ASSEMBLY	4
SEAT ASSEMBLY	5
STEERING ASSEMBLY	6
HANDLEBAR ASSEMBLY	7
INSTRUMENT POD ASSEMBLY	8
FRONT SUSPENSION ASSEMBLY	9
REAR SUSPENSION ASSEMBLY	10
WHEEL AND TIRE ASSEMBLY	11
HYDRAULIC BRAKE ASSEMBLY	12
GAS TANK ASSEMBLY	13
SHIFT LEVER ASSEMBLY	14
AIR INTAKE ASSEMBLY	15
ENGINE AND EXHAUST	16
COOLING ASSEMBLY	17
CASE/BELT COOLING ASSEMBLY	18
DRIVE TRAIN ASSEMBLY	19
FRONT DRIVE GEARCASE ASSEMBLY	20
REAR DRIVE GEARCASE ASSEMBLY	21
WIRING HARNESS ASSEMBLY	22
BATTERY AND STARTER ASSEMBLY	23
THROTTLE BODY ASSEMBLY	24
CYLINDER ASSEMBLY	25
CYLINDER HEAD AND CAMSHAFT/VALVE ASSEMBLY	26
CAM CHAIN ASSEMBLY	27
CRANKCASE ASSEMBLY	28
CRANKSHAFT AND PISTON ASSEMBLY	29
STARTER CLUTCH ASSEMBLY	30
OIL PUMP ASSEMBLY	31
WATER PUMP ASSEMBLY	32
TRANSMISSION ASSEMBLY	33
SECONDARY TRANSMISSION ASSEMBLY	34
GEAR SHIFTING ASSEMBLY	35
SECONDARY DRIVE ASSEMBLY	36
MAGNETO ASSEMBLY	37
MAGNETO SIDE ENGINE COVERS	38
CLUTCH SIDE ENGINE COVERS	39

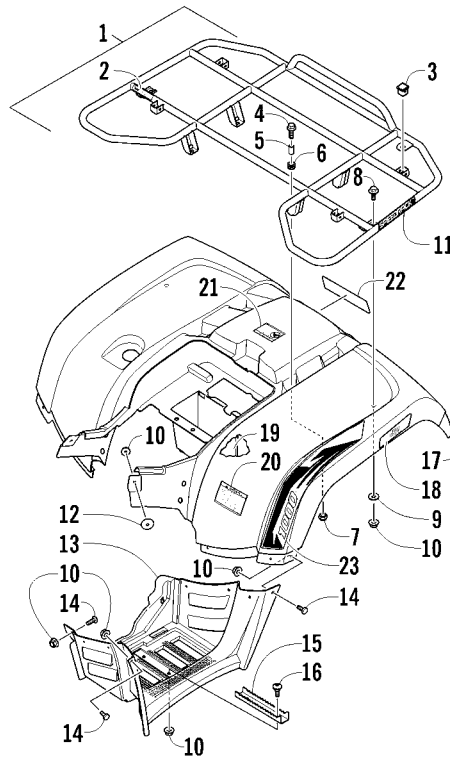
■ **NOTE:** The illustrations used in this Parts Manual are for reference to replacement part numbers only and are not to be used for assembly. For assembly procedures, use an Arctic Cat Service Manual. For a complete list of related items, refer to the current accessory catalog.



FRONT RACK, BODY PANEL, AND HEADLIGHT ASSEMBLIES

0746-181

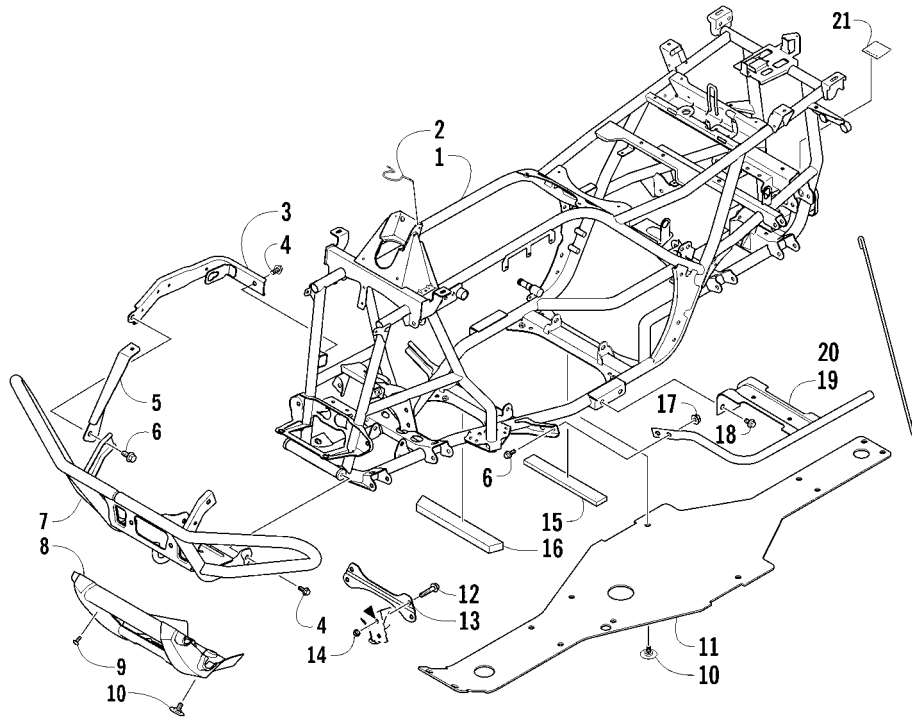
Ref	Part No.	New Qty	Description	Ref	Part No.	New Qty	Description
1	2506-106	1	Rack, Front - Assembly (inc. 2-3)	23	0623-362	4	Rivet, Reinstallable
2	0411-576	1	● Decal, Warning - Load	24	1406-484	1	Cover, Steering Post
3	0441-592	4	● Bushing	25	0470-513	1	Cover, Storage Box
4	8410-830	4	Screw, Cap	26	1406-573	1	Box, Storage
5	0423-669	4	Spacer	27	2506-234	1	Lid, Storage Box w/Latch (inc. 28-29)
6	0423-465	4	Grommet	28	1406-599	1	● Latch, Storage Box
7	8432-802	4	Nut, Lock	29	0470-514	1	● Lid, Storage Box
8	0423-654	2	Screw, Shoulder	30	0423-101	2	Screw, Shoulder
9	8050-222	2	Washer	31	2516-973	1	Panel, Fender - Assembly - Orange (inc. 32-38)
10	0423-540	2	Nut, Lock	32	0411-818	1	● Decal, Reflector - Right - Amber
11	0509-044	1	Headlight Assembly - Right (inc. 12)		0411-819	1	● Decal, Reflector - Left - Amber
	0509-035	1	Headlight Assembly - Left (inc. 12)	33	1411-574	1	● Decal, Warning - Off-Road Only
12	0409-055	4	● Bulb, Headlight	34	1411-804	1	● Decal, Warning - Age
13	0423-514	2	Stud, Adjuster - Headlight	35	1411-932	1	● Decal, Warning - General
14	0423-522	2	Spring, Adjuster	36	0411-835	1	● Decal, Warning - Turn/Hill
15	0423-513	2	Knob, Adjuster	37	1411-906	1	● Decal, Warning - Throttle
16	0623-785	4	Screw, Self-Tapping	38	1411-250	1	● Decal, Warning - Reverse/Pre-Ride
17	8050-217	8	Washer	39	1411-725	1	Decal, "Arctic Cat"
18	0423-447	4	Grommet	40	2411-700	X	Decal, Side - Front Right
19	2406-588	1	Panel, Side - Lower - Right		2411-701	X	Decal, Side - Front Left
	2406-589	1	Panel, Side - Lower - Left	41	2411-702	X	Decal, Side - Upper Right
20	0423-678	8	Grommet		2411-703	X	Decal, Side - Upper Left
21	1406-358	1	Cover, Access				
22	0423-535	2	Rivet, Reinstallable				



REAR RACK, BODY PANEL, AND FOOTWELL ASSEMBLIES

0746-183

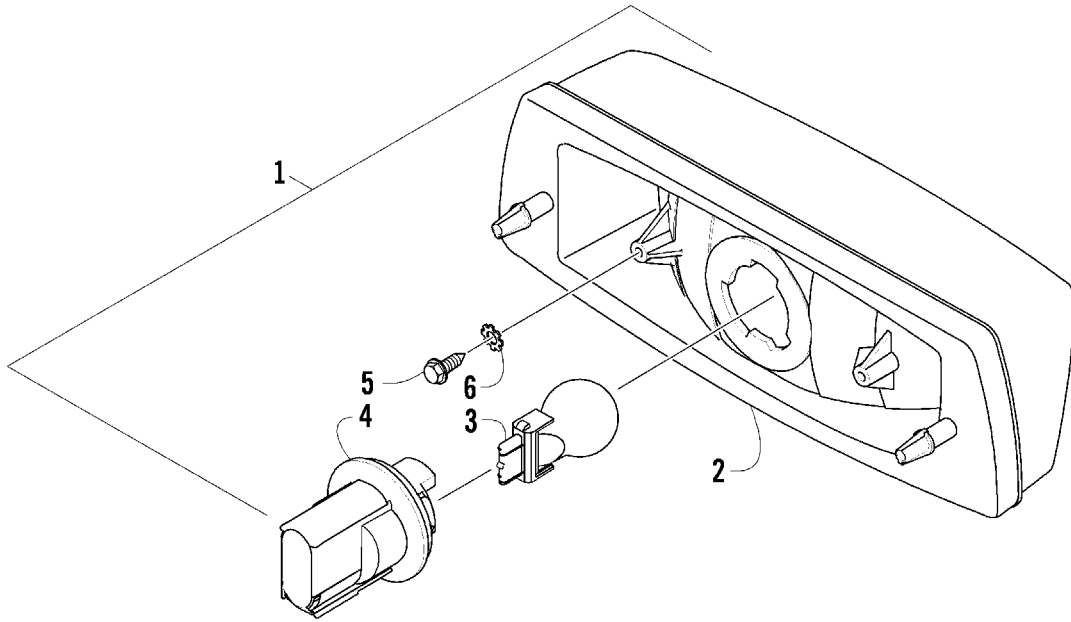
Ref	Part No.	New	Qty	Description	Ref	Part No.	New	Qty	Description
1	2506-125		1	Rack, Rear - Assembly (inc. 2-3)	14	0423-419		18	Screw, Machine
2	0411-648		1	● Decal, Warning - Load	15	1506-125		2	Footpeg
3	0441-592		4	● Bushing	16	0423-355		4	Screw, Shoulder
4	8410-830		4	Screw, Cap	17	2516-952		1	Panel, Fender - Assembly - Black (inc. 18-21)
5	0423-669		4	Spacer	18	1411-592		1	● Decal, Reflector - Right - Red
6	0423-465		4	Grommet		1411-593		1	● Decal, Reflector - Left - Red
7	8432-802		4	Nut, Lock		0470-658		1	● Foil, Protective
8	0423-654		2	Screw, Shoulder	19	2411-143		1	● Decal, Warning - Tire Pressure
9	8050-222		2	Washer	20	1411-809		1	● Decal, Passenger
10	0423-540		26	Nut, Lock	21	1411-725		1	Decal, "Arctic Cat"
11	0411-965		2	Decal, "Speedrack"	22	2411-704	X	1	Decal, Side - Lower Right
12	0423-101		2	Screw, Shoulder	23	2411-705	X	1	Decal, Side - Lower Left
13	2506-450		1	Footwell - Right					
	1406-519		1	Footwell - Left					



FRAME AND RELATED PARTS

0746-184

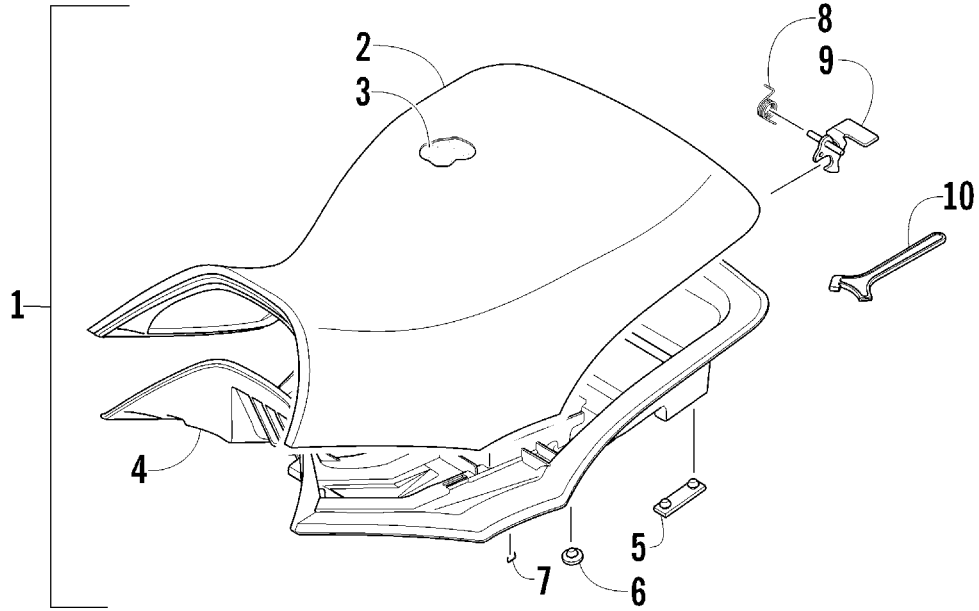
Ref	Part No.	New	Qty	Description	Ref	Part No.	New	Qty	Description
1	4506-555	X	1	Frame, Main	11	2406-648		1	Panel, Belly
2	2416-401		1	Clip, Routing	12	8409-025		2	Screw, Cap
3	2506-813		1	Channel, Mounting - Bumper - Right	13	2516-852		1	Brace, A-Arm
	2506-285		1	Channel, Mounting - Bumper - Left	14	0423-744		2	Nut, Lock
4	8409-020		4	Screw, Cap	15	0406-289		1	Pad, Foam
5	1506-562		1	Bracket, Mounting - Bumper - Right	16	2506-701		1	Pad, Foam
	1506-563		1	Bracket, Mounting - Bumper - Left	17	8424-802		4	Nut
6	8408-816		6	Screw, Cap	18	8409-016		4	Screw, Cap
7	1506-855		1	Bumper, Front	19	2506-449		1	Footrest - Right
8	1406-360		1	Fascia, Bumper - Front - Black		1506-379		1	Footrest - Left
9	0423-419		2	Screw, Machine	20	2506-423		2	Rod, Support
10	0423-101		12	Screw, Shoulder	21	1411-077		1	Decal, Warning - Towing



TAILLIGHT ASSEMBLY

0739-667

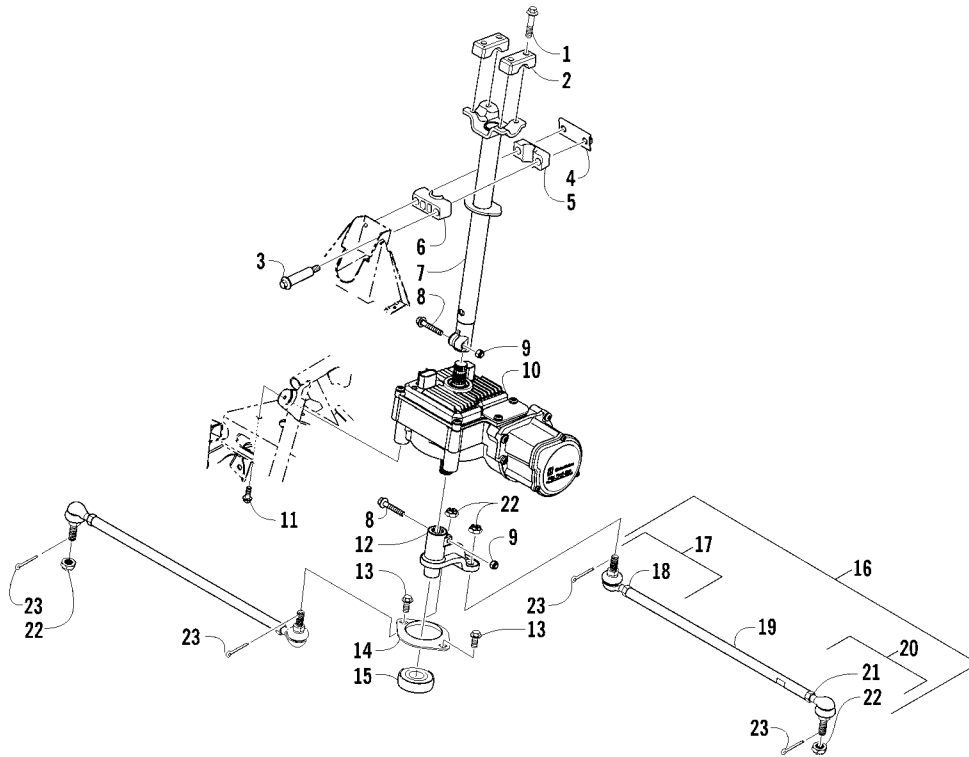
Ref	Part No.	New Qty	Description	Ref	Part No.	New Qty	Description
1	0509-022	1	Taillight Assembly (inc. 2-4)	4	0409-057	1	● Socket, Taillight
2	0509-025	1	● Housing, Taillight	5	0623-301	2	Screw, Self-Tapping
3	0409-056	1	● Bulb, Taillight	6	8053-212	2	Washer, External Tooth Lock



SEAT ASSEMBLY

0744-621

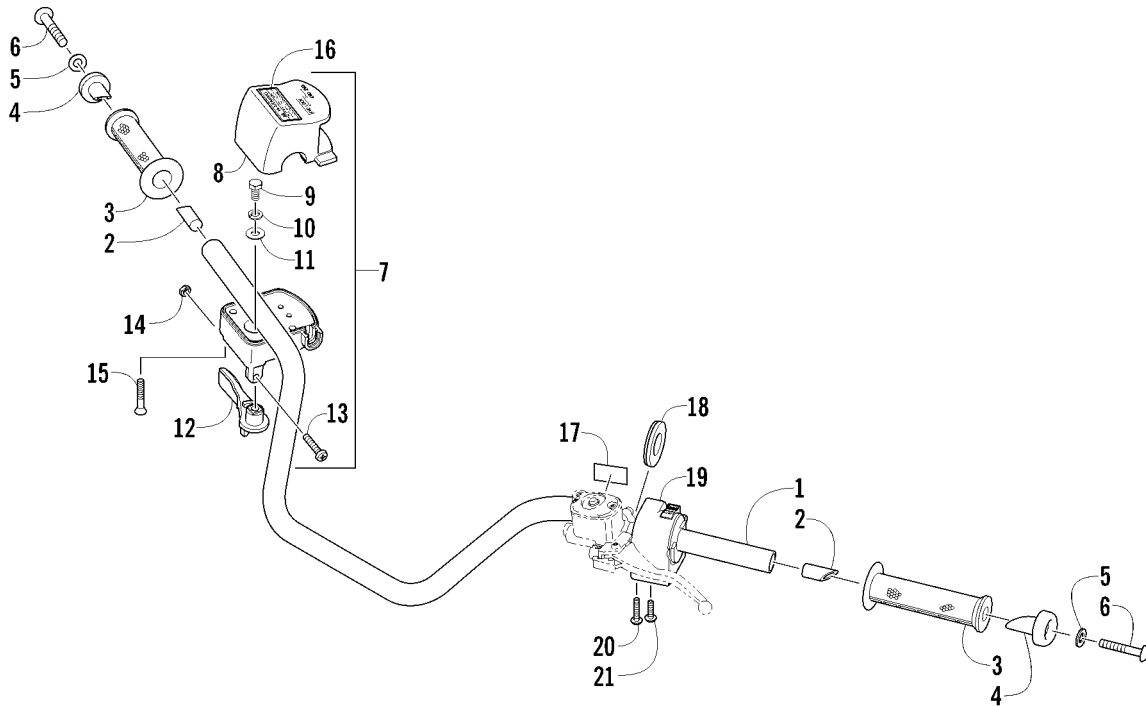
Ref	Part No.	New	Qty	Description	Ref	Part No.	New	Qty	Description
1	4506-558	X	1	Seat Assembly (inc. 2-9)	6	0406-877		4	●● Bumper, Seat - Front
2	1506-209		1	● Cover, Seat	7	0624-263		AR	● Staple
3	0517-119		1	● Foam, Seat	8	1406-592		1	● Spring, Seat Latch
4	2416-827	X	1	● Base, Seat - Assembly (inc. 5-6)	9	1506-156		1	● Latch, Seat
5	0406-879		2	●● Bumper, Seat - Rear	10	0441-587		1	Wrench, Spanner



STEERING ASSEMBLY

0745-117

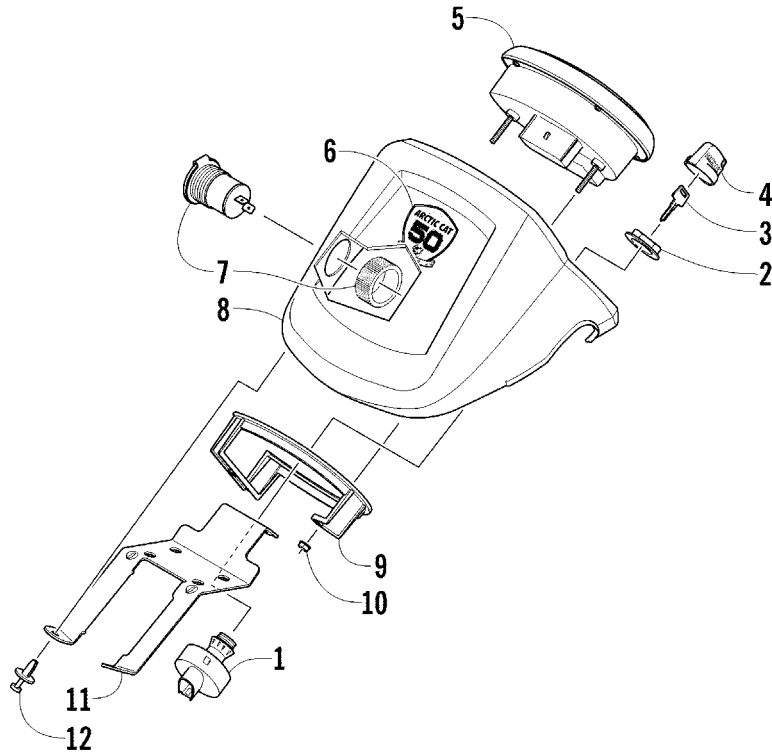
Ref	Part No.	New Qty	Description	Ref	Part No.	New Qty	Description
1	8408-835	4	Screw, Cap	14	0602-233	1	Flange, Bearing
2	0405-035	2	Cap, Steering Adjuster	15	0405-052	1	Bearing w/Inverted Oil Seal
3	0423-505	2	Screw, Shoulder	16	0505-499	2	Tie Rod - Assembly (inc. 17-21)
4	0505-484	1	Cap, Housing	17	0505-511	2	● End, Tie Rod - Left-Hand Thread - Kit (inc. 18)
5	0405-260	1	Housing, Upper	18	0423-013	2	●● Nut - Left-Hand Thread
6	0405-259	1	Housing, Lower	19	0405-281	2	● Tie Rod
7	0505-642	1	Post, Steering	20	0505-510	2	● End, Tie Rod - Right-Hand Thread - Kit (inc. 21)
8	8020-045	2	Screw, Cap	21	8420-002	2	●● Nut - Right-Hand Thread
9	8040-366	2	Nut, Lock	22	0423-157	4	Nut, Lock
10	0505-767	X 1	Assembly, Electronic Power Steering	23	0623-175	4	Pin, Cotter
11	8409-020	4	Screw, Cap				
12	0505-664	1	Arm, Steering				
13	8408-816	2	Screw, Cap				



HANDLEBAR ASSEMBLY

0744-426

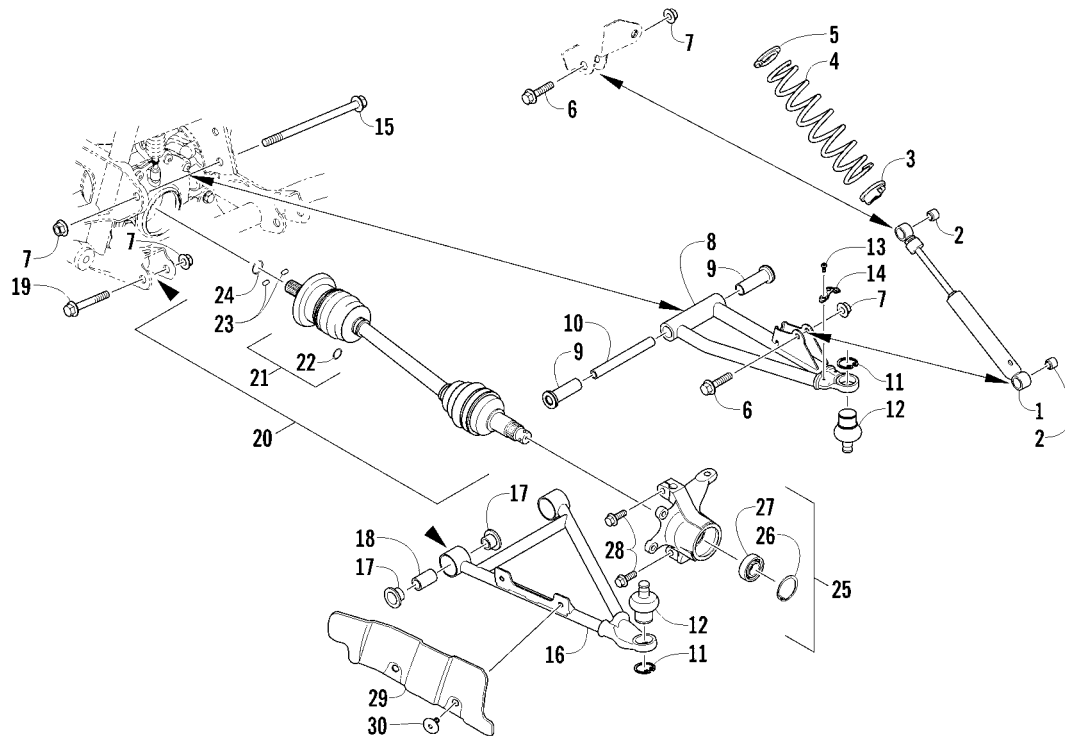
Ref	Part No.	New Qty	Description	Ref	Part No.	New Qty	Description
1	0505-418	1	Handlebar	12	0409-133	1	● Lever, Throttle
2	0405-218	2	Plug, Handlebar	13	3423-014	1	● Screw, Machine
3	0405-147	2	Grip, Handlebar	14	3423-327	1	● Nut
4	0405-149	2	End Cap, Handlebar	15	3423-199	2	● Screw, Machine
5	8050-247	2	Washer	16	0411-966	1	Decal, Warning - Differential Lock
6	8477-845	2	Screw, Machine	17	1411-865	1	Decal, Warning - Brake Lever Lock
7	0509-054	1	Case, Throttle - Assembly (inc. 8-15)	18	3409-019	1	Cover, Switch Housing
8	0409-141	1	● Cover, Throttle Case w/Switch	19	0509-014	1	Switch, Control - Assembly (inc. 20-21)
9	3007-392	1	● Screw, Cap	20	0409-028	1	● Screw, Machine
10	3004-447	1	● Washer, Lock	21	0409-027	1	● Screw, Machine
11	3003-030	1	● Washer				



INSTRUMENT POD ASSEMBLY

0745-865

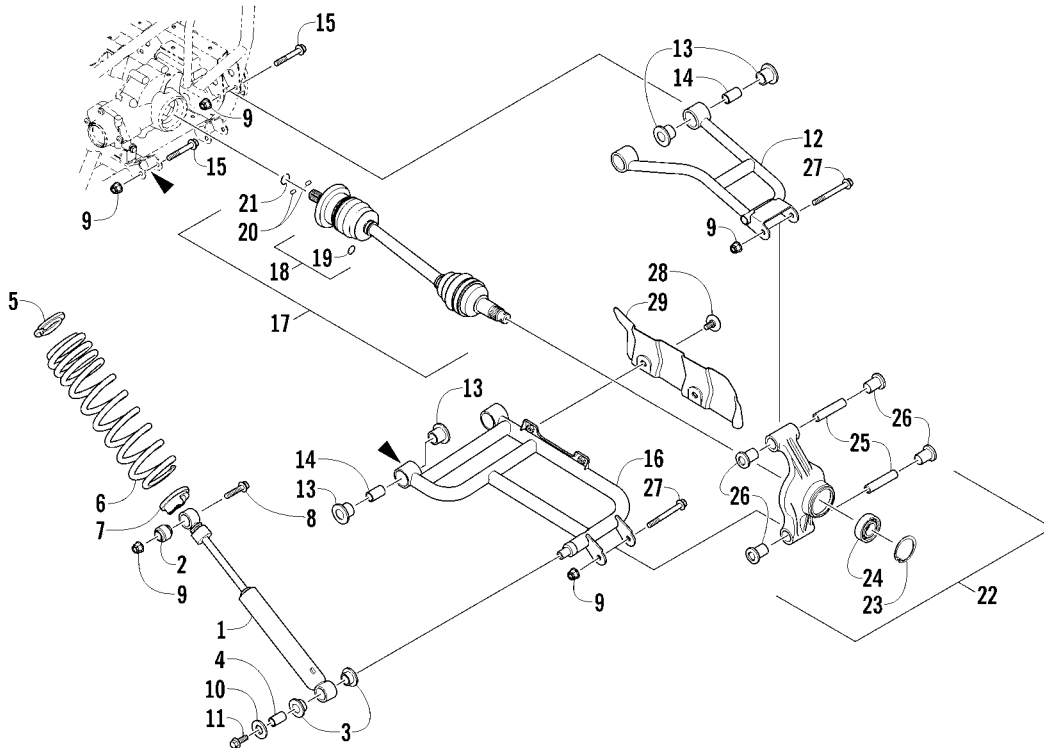
Ref	Part No.	New Qty	Description	Ref	Part No.	New Qty	Description
1	0430-090	1	Switch, Ignition - Assembly (inc. 2-4)	6	9611-399	X 1	Decal, 50th Anniversary
2	0430-050	1	● Nut, Retaining	7	0641-897	1	Outlet, Accessory - 12V
3	0430-042	1	● Key, Ignition (Y Series - Left-Side Cut)	8	0505-590	1	Instrument Pod - Black
	0430-043	1	● Key, Ignition (Z Series - Right-Side Cut)	9	0420-065	1	Bracket, Retaining
4	0430-054	1	● Cover, Key	10	0423-493	2	Nut w/Washer
5	0520-101	1	Gauge, LCD	11	2506-470	1	Bracket, Mounting - Instrument Pod
				12	0423-535	2	Rivet, Reinstallable



FRONT SUSPENSION ASSEMBLY

0745-247

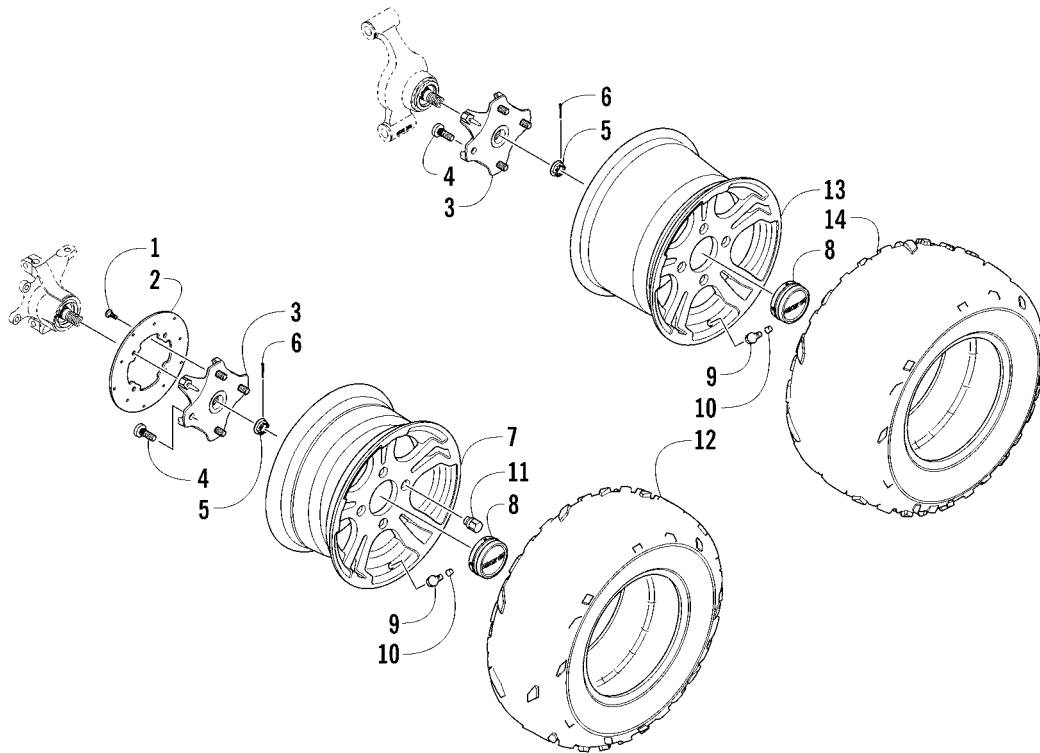
Ref	Part No.	New Qty	Description	Ref	Part No.	New Qty	Description
1	0403-188	2	Shock Absorber (inc. 2)	17	0403-208	8	● Bushing
2	0403-182	4	● Bushing	18	0403-214	4	● Axle
3	0403-102	2	Cam, Spring Adjuster	19	8409-075	4	Screw, Cap
4	0503-468	2	Spring, Suspension - White	20	1502-806	1	Axle, Drive - Right (inc. 21-24)
5	1603-889	2	Retainer, Spring	21	1502-805	1	Axle, Drive - Locking - Left (inc. 21-24)
6	8409-040	4	Screw, Cap	22	1436-410	2	● Repair Kit, Boot (inc. 22)
7	0423-744	10	Nut, Lock	23	1441-988	2	●● Clip, Retaining
8	0503-416	1	A-Arm, Upper Right - Black (inc. 9-12)	24	1402-885	4	● Pin, Detent
	0503-417	1	A-Arm, Upper Left - Black (inc. 9-12)	25	1402-889	2	● Clip, Retaining
9	0403-207	4	● Bushing	26	0505-578	1	Knuckle - Assembly - Right (inc. 26-27)
10	0403-080	2	● Axle		0505-579	1	Knuckle - Assembly - Left (inc. 26-27)
11	0423-009	4	● Ring, Retaining	27	0423-423	2	● Ring, Retaining
12	0405-115	4	● Ball Joint	28	1402-809	2	● Bearing
13	0423-946	4	Screw, Self-Tapping	29	0423-998	4	Screw, Shoulder
14	1502-594	2	Clamp, Routing	30	1406-034	1	Guard, Boot - Right - Black
15	0423-334	2	Screw, Cap		1406-035	1	Guard, Boot - Left - Black
16	0503-376	1	A-Arm, Lower Right - Black (inc. 17-18 and two No. 11-12)		0423-545	4	Screw, Shoulder
	0503-377	1	A-Arm, Lower Left - Black (inc. 17-18 and two No. 11-12)				



REAR SUSPENSION ASSEMBLY

0745-252

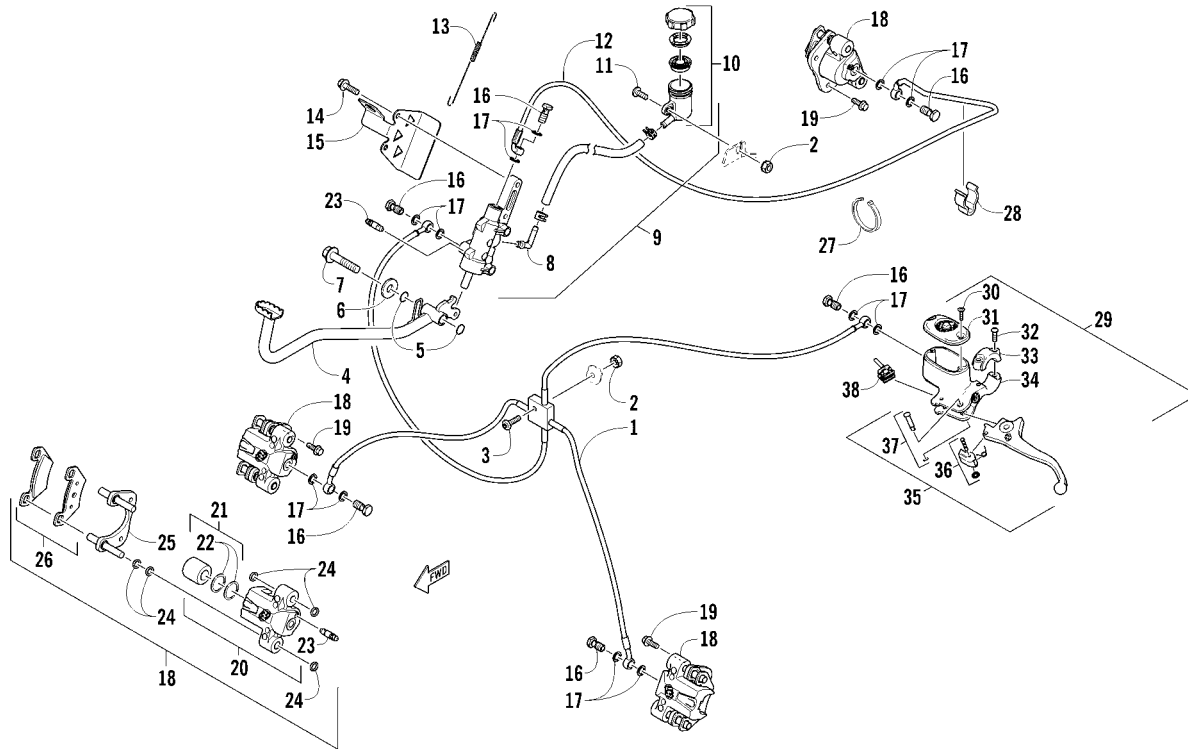
Ref	Part No.	New	Qty	Description	Ref	Part No.	New	Qty	Description
1	0404-158		2	Shock Absorber (inc. 2-4)	16	0504-572		1	A-Arm, Rear - Lower Right - Black (inc. 13-14)
2	0403-182		2	● Bushing		0504-573		1	A-Arm, Rear - Lower Left - Black (inc. 13-14)
3	0603-955		4	● Bushing	17	1502-804		2	Axle, Drive (inc. 18-21)
4	1603-219		2	● Sleeve	18	1436-410		2	● Repair Kit, Boot (inc. 19)
5	1603-889		2	Retainer, Spring	19	1441-988		2	● Clip, Retaining
6	0504-659		2	Spring, Suspension - White	20	1402-884		4	● Pin, Detent
7	0404-057		2	Cam, Spring Adjuster	21	1402-890		2	● Clip, Retaining
8	8409-040		1	Screw, Cap - Right	22	0504-550		1	Knuckle, Right - Assembly (inc. 23-26)
	8409-050		1	Screw, Cap - Left		0504-551		1	Knuckle, Left - Assembly (inc. 23-26)
9	0423-744		14	Nut, Lock	23	0423-423		2	● Ring, Retaining
10	0423-087		2	Washer	24	1402-809		2	● Bearing
11	8408-820		2	Screw, Cap	25	0403-213		4	● Axle
12	0504-582		1	A-Arm, Rear - Upper Right - Black (inc. 13-14)	26	0403-206		8	● Bushing
	0504-583		1	A-Arm, Rear - Upper Left - Black (inc. 13-14)	27	8409-000		4	Screw, Cap
13	0403-208		16	● Bushing	28	0423-545		4	Screw, Shoulder
14	0403-214		8	● Axle	29	1406-068		1	Guard, Boot - Rear - Right - Black
15	8409-075		8	Screw, Cap		1406-069		1	Guard, Boot - Rear - Left - Black



WHEEL AND TIRE ASSEMBLY

0746-185

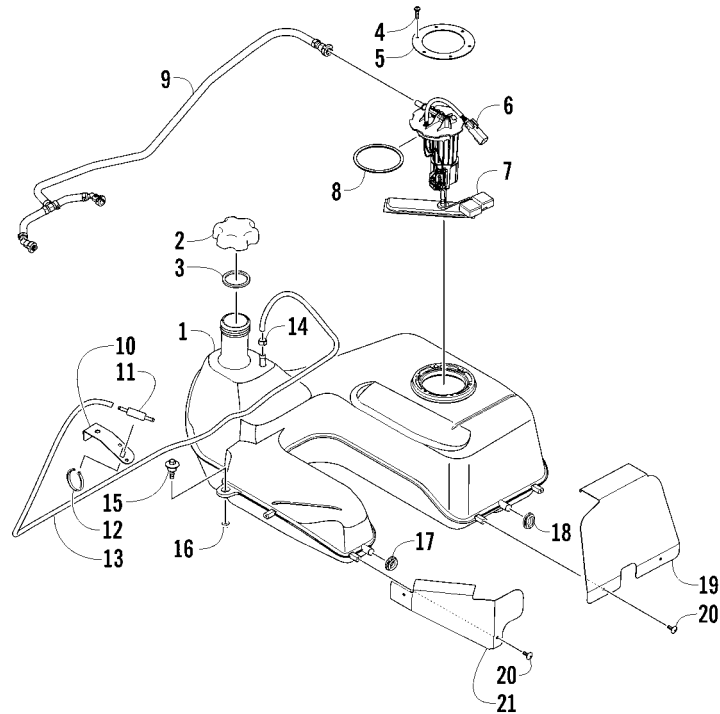
Ref	Part No.	New	Qty	Description	Ref	Part No.	New	Qty	Description
1	0423-557		12	Screw, Shoulder	8	1402-736		4	● Cap, Wheel
2	2402-002	X	3	Disc, Brake	9	0402-064		4	Stem, Valve (inc. 10)
3	1502-437		4	Hub, Wheel (inc. 4)	10	0402-140		4	● Cap, Valve Stem
4	0402-974		16	● Stud	11	0423-618		16	Nut, Lug - Chrome
5	0423-607		4	Nut, Castle	12	1402-935		2	Tire - Front
6	0423-407		4	Pin, Cotter	13	1402-731		2	Wheel - Rear (inc. 8)
7	1402-730		2	Wheel - Front (inc. 8)	14	1402-936		2	Tire - Rear



HYDRAULIC BRAKE ASSEMBLY

0746-186

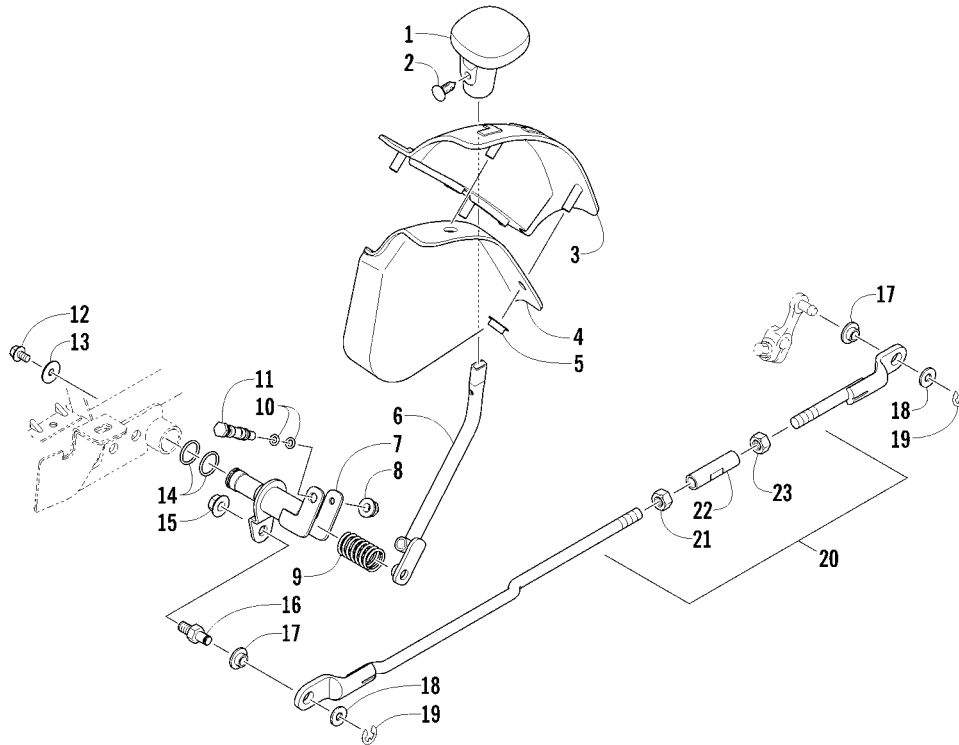
Ref	Part No.	New Qty	Description	Ref	Part No.	New Qty	Description
1	1502-015	1	Hose, Brake - Assembly	20	1436-160	1	● Housing, Caliper - Assembly - Right Front (inc. two No. 19 and 21-23)
2	0623-038	2	Nut w/Washer		1436-161	1	● Housing, Caliper - Assembly - Left Front (inc. two No. 19 and 21-23)
3	8476-625	1	Screw, Machine		1436-161	1	● Housing, Caliper - Assembly - Rear (inc. two No. 19 and 21-23)
4	1502-162	1	Lever, Brake	21	0502-606	3	●● Piston/Seal Set (inc. 22)
5	1602-213	2	O-Ring	22	0502-607	3	●●● Seal Set
6	8050-252	1	Washer	23	0502-609	4	●● Valve, Bleed
7	8408-816	1	Screw, Cap	24	0502-608	3	● O-Ring, Guide - Set
8	1502-296	1	Adapter, Hose	25	0502-605	3	● Bracket Assembly
9	1502-293	1	Brake Assembly (inc. 10)	26	1502-694	3	● Pad, Brake - Set
10	1502-155	1	● Reservoir, Brake w/Clamp	27	0123-788	AR	Tie, Cable - 8 in.
11	8476-616	1	Screw, Machine	28	1502-115	2	Clip, Brake Hose
12	1502-593	1	Hose, Brake	29	1502-902	X	1 Brake Assembly (inc. 30-38)
13	0502-785	1	Spring, Brake Switch	30	0502-566	1	● Screw, Machine - Kit
14	8408-625	2	Screw, Cap	31	0502-868	1	● Cover, Reservoir
15	1502-164	1	Bracket, Switch	32	0502-568	1	● Screw, Machine - Kit
16	0423-413	6	Bolt, Banjo-Fitting	33	0502-869	1	● Clamp, Master Cylinder
17	0423-178	12	Washer, Crush	34	0502-704	1	● Master Cylinder Assembly
18	1436-422	1	Caliper, Brake - Right Front (inc. two No. 19 and 20-26)	35	1502-904	X	1 Lever Assembly - Kit (inc. 36-37)
	1436-423	1	Caliper, Brake - Left Front (inc. two No. 19 and 20-26)	36	1502-905	X	1 ●● Lock, Brake Lever - Kit
	1436-423	1	Caliper, Brake - Rear (inc. two No. 19 and 20-26)	37	0502-580	1	●● Lever Pin - Kit
19	8408-821	6	● Screw, Cap	38	0502-564	1	● Switch, Brake



GAS TANK ASSEMBLY

0746-187

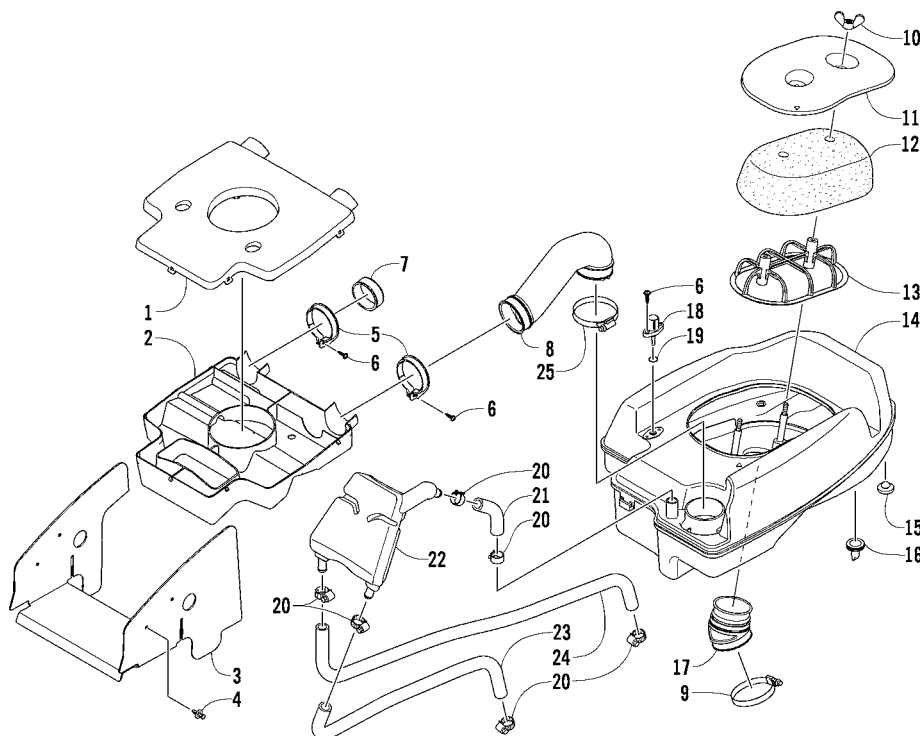
Ref	Part No.	New Qty	Description	Ref	Part No.	New Qty	Description
1	0570-307	1	Tank, Gas - Assembly (inc. 2-5)	12	0123-788	AR	Tie, Cable - 8 in.
2	0470-438	1	● Cap, Gas Tank (inc. 3)	13	0410-070	AR	Hose, Gasline - 25 ft
3	0109-733	1	●● Gasket, Gas Tank Cap	14	0423-688	1	Clamp, Hose
4	0423-898	6	● Screw, Self-Tapping	15	0423-732	2	Screw, Shoulder
5	2670-042	1	● Plate, Retaining	16	0623-038	1	Nut w/Washer
6	0570-322	1	Pump, Fuel - Assembly (inc. 7-8)	17	0423-460	1	Grommet
7	2670-235	1	● Float	18	0423-806	1	Grommet
8	0470-838	1	● Seal	19	0470-710	1	Shield, Heat - Gas Tank - Rear
9	0570-278	1	Hose, Fuel - Assembly	20	0623-797	4	Screw, Self-Tapping
10	0470-827	1	Bracket, Filter Mounting	21	0470-709	1	Shield, Heat - Gas Tank - Front
11	0510-335	1	Filter, In-Line				



SHIFT LEVER ASSEMBLY

0745-046

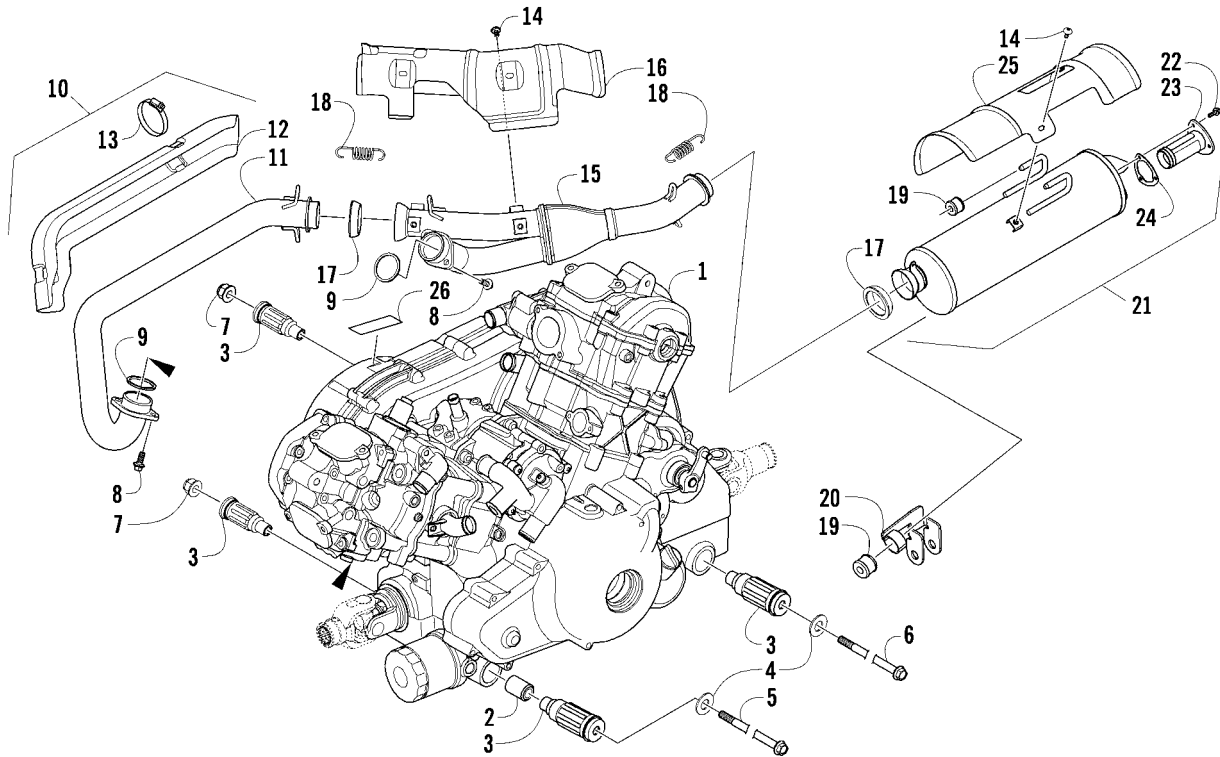
Ref	Part No.	New Qty	Description	Ref	Part No.	New Qty	Description
1	0402-843	1	Knob, Shift	13	0423-087	1	Washer
2	0423-345	1	Clip, Retaining	14	0423-299	2	O-Ring
3	1402-576	1	Plate, Shift	15	8424-802	1	Nut
4	2406-345	1	Shield, Shift Plate	16	1402-621	1	Pin, Mounting - Shift Linkage
5	0423-357	4	Nut, Stamped	17	0423-091	2	Bushing
6	0502-659	1	Lever, Shift	18	0623-094	2	Washer
7	1502-332	1	Actuator, Shift Lever	19	0423-169	2	E-Ring
8	8424-602	1	Nut	20	1502-227	1	Linkage, Shift - Assembly (inc. 21-23)
9	0402-678	1	Spring, Shift Lever	21	0623-294	1	● Nut, Hex - Right-Hand Thread
10	0423-182	2	O-Ring	22	1402-619	1	● Coupler
11	0402-675	1	Axle, Pivot	23	0123-917	1	● Nut, Hex - Left-Hand Thread
12	8408-812	1	Screw, Cap				



AIR INTAKE ASSEMBLY

0744-449

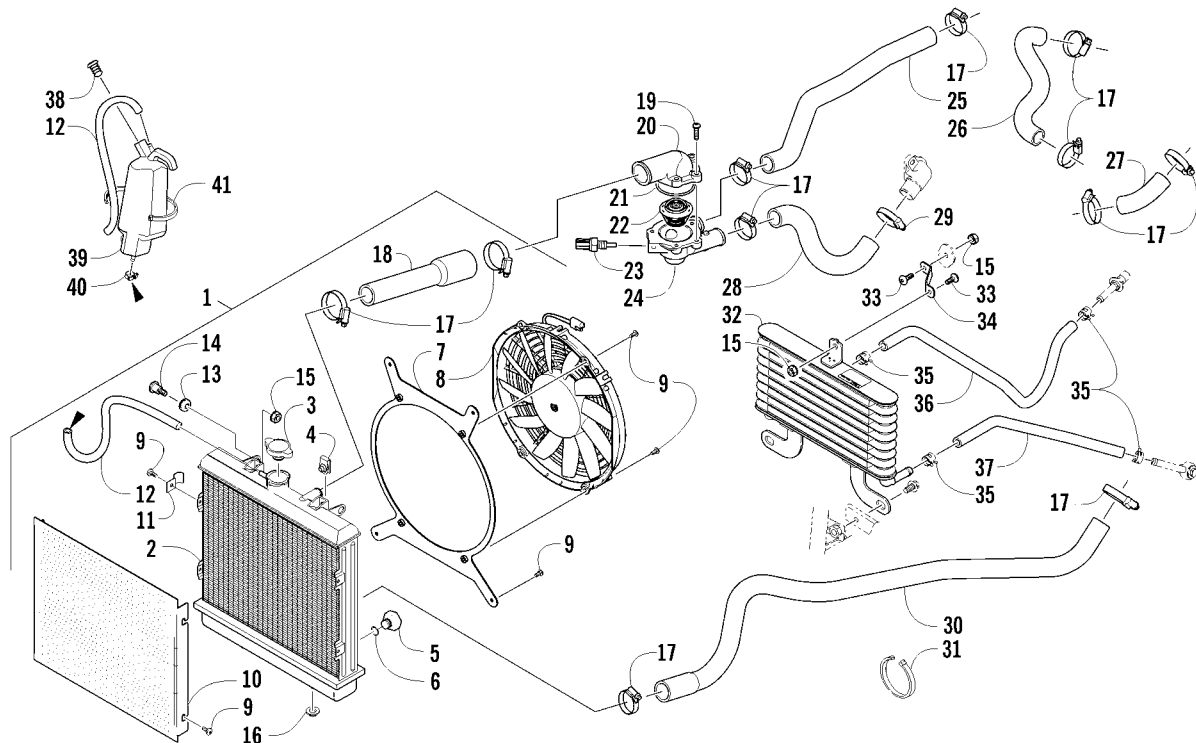
Ref	Part No.	New Qty	Description	Ref	Part No.	New Qty	Description
1	0413-091	1	Diverter, Air - Top	14	0570-221	1	Housing, Air Intake
2	0413-093	1	Diverter, Air - Bottom	15	0406-877	4	Bumper
3	2406-509	1	Shroud, Splash	16	0470-858	2	Valve, Drain
4	0623-362	2	Rivet, Reinstallable	17	0470-638	1	Boot, Throttle Body
5	0423-551	2	Clamp	18	0430-055	1	Sensor, Air Temperature (inc. 19)
6	0423-342	4	Screw, Self-Tapping	19	5507-224	1	● O-Ring
7	0413-096	1	Cap, Air Intake - Diverter	20	0623-028	6	Clamp, Hose
8	0470-583	1	Boot, Air Intake	21	0410-198	1	Hose, Separator Tank
9	0423-019	1	Clamp	22	0470-718	1	Tank, Separator
10	0423-716	2	Wing Nut	23	0410-196	1	Hose, Crankcase
11	0470-832	1	Cover, Air Intake	24	0410-208	1	Hose, Crankcase
12	0470-828	1	Filter, Air	25	0423-066	1	Clamp, Hose
13	0470-731	1	Support, Air Filter				



ENGINE AND EXHAUST

0742-236

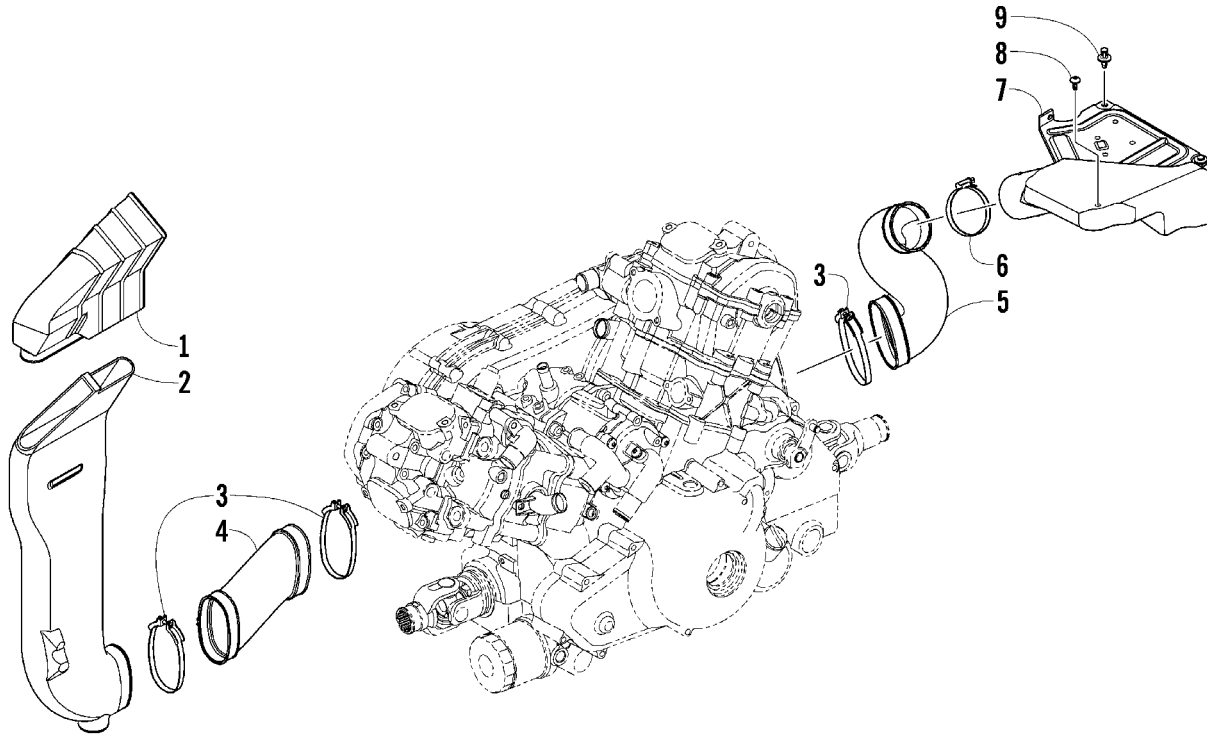
Ref	Part No.	New Qty	Description	Ref	Part No.	New Qty	Description
1	0800-097	1	Engine, A950H (inc. 2-3)	14	8477-610	7	Screw, Machine
2	0801-128	1	● Spacer, Engine Mount	15	0512-477	1	Pipe, Exhaust - Rear
3	0801-091	4	● Mount, Engine	16	0412-403	1	Shield, Exhaust Pipe - Rear
4	0423-426	2	Washer	17	0412-375	2	Seal, Exhaust Pipe
5	0423-734	1	Screw, Cap	18	0612-668	4	Spring, Extension
6	0423-451	1	Screw, Cap	19	0412-577	3	Bushing
7	8428-002	2	Nut, Lock	20	2506-631	1	Channel, Muffler Support
8	8408-820	4	Screw, Cap	21	0512-355	1	Muffler - Assembly (inc. 22-24)
9	0412-338	2	Gasket, Exhaust Pipe	22	8408-616	3	● Screw, Cap
10	0512-433	1	Pipe, Exhaust - Assembly (inc. 11-13)	23	0512-219	1	● Arrester, Spark - Assembly
11	0512-349	1	● Pipe, Exhaust	24	0412-313	1	● Gasket, Spark Arrester
12	0412-400	1	● Shield, Exhaust Pipe	25	0412-373	1	Cover, Muffler
13	0423-317	2	● Clamp	26	0411-426	1	Decal, Warning - Clutch Cover



COOLING ASSEMBLY

0745-017

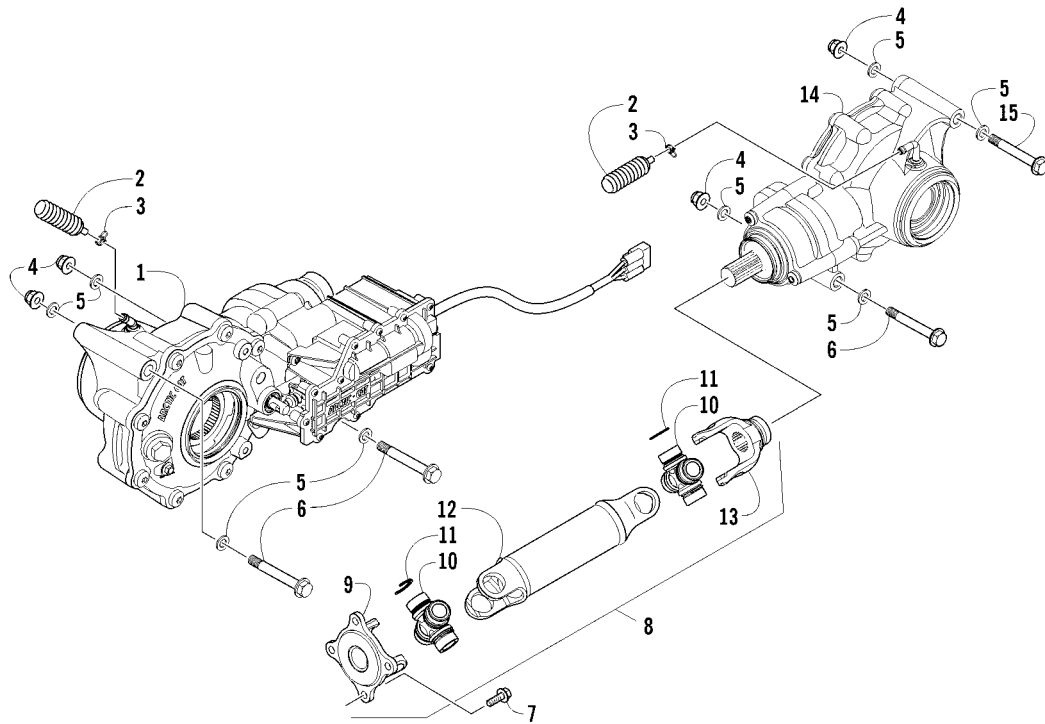
Ref	Part No.	New Qty	Description	Ref	Part No.	New Qty	Description
1	0413-258	1	Radiator Assembly (inc. 2-13)	21	0830-173	1	O-Ring
2	0413-216	1	● Radiator	22	0808-093	1	Thermostat
3	0413-255	1	● Cap, Radiator	23	0808-124	1	Sensor, Engine Coolant Temperature
4	1623-637	4	● Clip, U-Nut	24	0808-189	1	Housing, Thermostat
5	0413-195	1	● Plug, Drain	25	0410-195	1	Hose, Coolant - No. 2
6	1602-213	1	● O-Ring	26	0410-116	1	Hose, Coolant
7	0413-217	1	● Bracket, Mounting - Fan	27	0410-115	1	Hose, Coolant - Crossover
8	0413-123	1	● Fan, Cooling	28	0410-117	1	Hose, Coolant - No. 1
9	8470-510	12	● Screw, Machine	29	1623-093	1	Clamp, Hose
10	0413-214	1	● Screen, Radiator	30	0410-229	1	Hose, Coolant - Lower
11	0423-351	1	● Clamp, Wire	31	0623-751	AR	Tie, Cable - 11.5 in.
12	0610-011	AR	● Hose - 25 ft	32	0413-211	1	Cooler, Oil
13	0423-030	2	● Grommet	33	8476-612	2	Screw, Machine
14	0423-484	2	Screw, Shoulder	34	0513-022	1	Bracket, Mounting - Oil Cooler - Upper
15	0623-038	4	Nut w/Washer	35	0423-632	4	Clamp, Hose
16	0423-028	2	Bushing, Stem	36	0410-149	1	Hose, Oil Cooler - In
17	0423-496	11	Clamp, Hose	37	0410-219	1	Hose, Oil Cooler - Out
18	0410-120	1	Hose, Coolant - Radiator/Thermostat - Upper	38	0413-087	1	Plug
19	8470-520	4	Screw, Machine	39	0413-086	1	Bottle, Overflow
20	0808-092	1	Cover, Thermostat	40	0124-045	1	Clamp, Hose
				41	0623-316	AR	Tie, Cable - 14 in.



CASE/BELT COOLING ASSEMBLY

0744-451

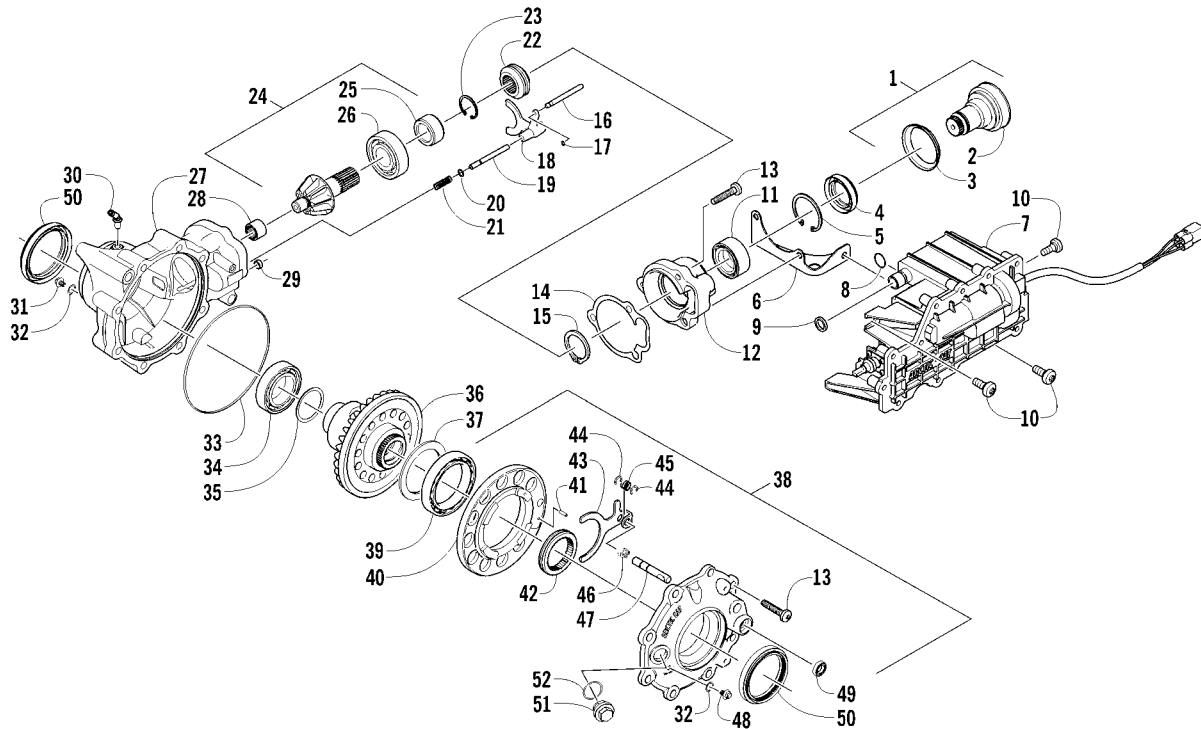
Ref	Part No.	New Qty	Description	Ref	Part No.	New Qty	Description
1	0413-137	1	Shroud, Air - Air In	6	0423-019	1	Clamp
2	0413-138	1	Duct, Cooling - Air In	7	0413-194	1	Duct, Cooling - Air Out
3	0423-730	3	Clamp	8	0623-797	1	Screw, Self-Tapping
4	0413-139	1	Boot, Cooling - Air In	9	0623-362	2	Rivet, Reinstallable
5	0413-135	1	Boot, Cooling - Air Out				



DRIVE TRAIN ASSEMBLY

0746-188

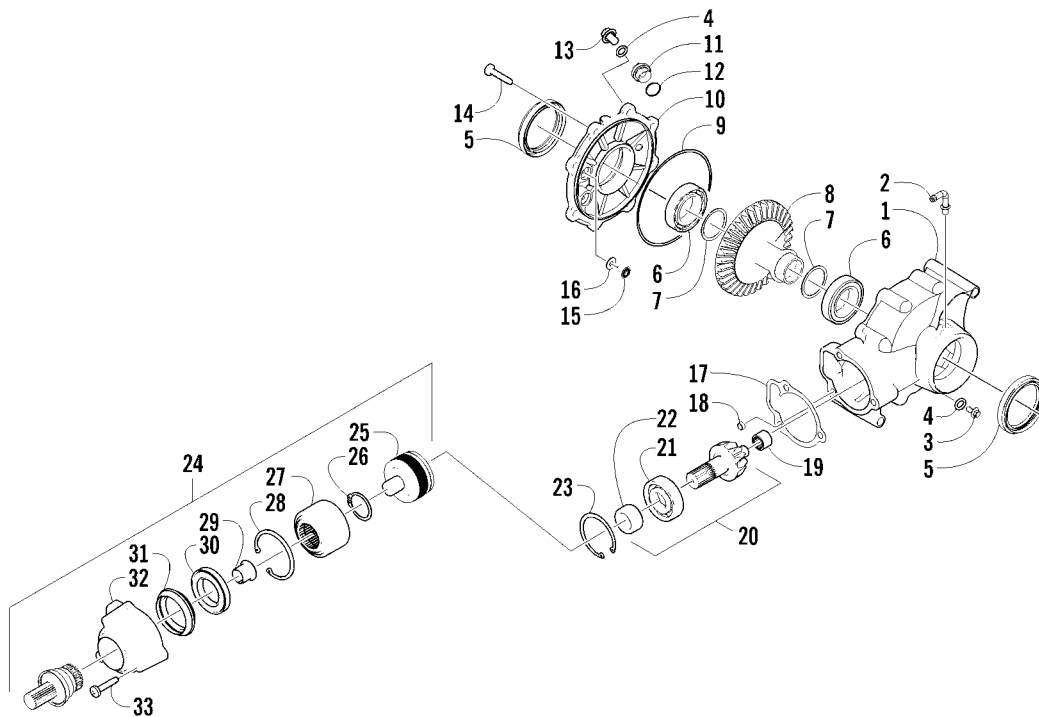
Ref	Part No.	New	Qty	Description	Ref	Part No.	New	Qty	Description
1	1502-882	X	1	Gearcase, Front	9	1402-689		1	● Yoke, Flange
2	1402-620		2	Bladder, Gearcase	10	0402-944		2	●● Joint, Universal (inc.11)
3	0423-315		2	Clamp, Hose	11	0423-395		8	●●● Ring, Retaining
4	8428-002		4	Nut, Lock	12	1502-099		1	● Driveshaft, Rear
5	0423-426		8	Washer	13	1402-567		1	● Yoke, Slip
6	0423-404		3	Screw, Cap	14	1502-883	X	1	Gearcase, Rear
7	8408-820		4	Screw, Cap	15	0423-830		1	Screw, Cap
8	1502-098		1	Driveshaft, Rear - Assembly (inc. 9-13)					



FRONT DRIVE GEARCASE ASSEMBLY

0746-189

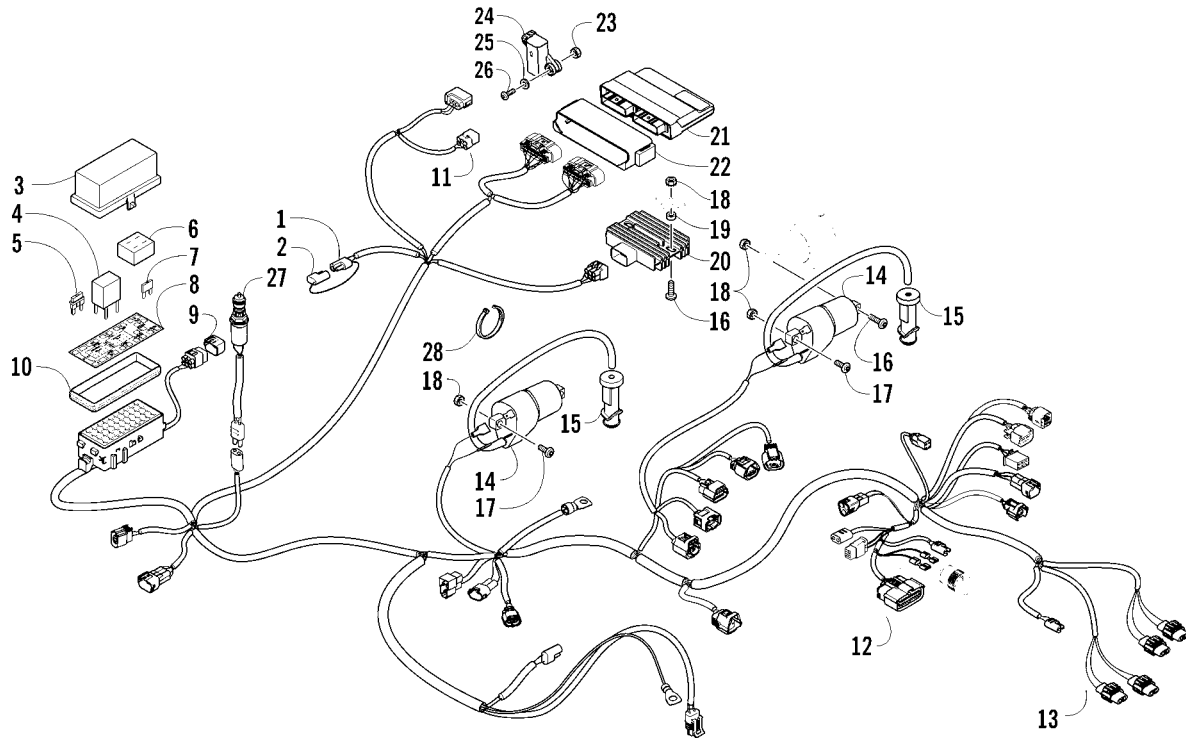
Ref	Part No.	New	Qty	Description	Ref	Part No.	New	Qty	Description
-	1502-882	X	1	Complete Front Drive Gearcase Assembly	30	1402-980	X	1	Fitting, Elbow
1	0502-923		1	Shaft, Propeller - Assembly (inc. 2-3)	31	1402-210		1	Plug, Magnetic (inc. one No. 32)
2	1402-438		1	● Shaft, Input	32	0423-153		2	● O-Ring
3	1402-168		1	● Deflector	33	0423-149		1	O-Ring
4	1402-011		1	Seal	34	0402-393		1	Bearing
5	0423-423		1	Ring, Retaining	35	0402-405	AR		Shim, 41 x 49 x 1.3 mm
6	1502-237		1	Bracket, Actuator		0402-406	AR		Shim, 41 x 49 x 1.4 mm
7	1502-909	X	1	Actuator (inc. 8)		0402-407	AR		Shim, 41 x 49 x 1.5 mm
8	1402-981		1	● O-Ring		0402-408	AR		Shim, 41 x 49 x 1.6 mm
9	0423-892		1	O-Ring		0402-409	AR		Shim, 41 x 49 x 1.7 mm
10	0423-396		3	Screw, Self-Tapping	36	1502-859	X	1	Gear, Ring - 34T
11	1402-043		1	Bearing	37	1402-074	AR		Shim, 61 x 69 x 1.3 mm
12	0502-528		1	Housing, Pinion		1402-075	AR		Shim, 61 x 69 x 1.4 mm
13	0423-118		11	Screw, Self-Tapping		1402-076	AR		Shim, 61 x 69 x 1.5 mm
14	0402-947		1	Gasket		1402-077	AR		Shim, 61 x 69 x 1.6 mm
15	0423-417		1	Ring, Retaining		1402-078	AR		Shim, 61 x 69 x 1.7 mm
16	0402-997		1	Shaft, Selector	38	1502-895	X	1	Cover, Gearcase (inc. one No. 32, 39-49 and one No. 50)
17	0423-402		1	Ring, Retaining	39	1402-053		1	● Bearing
18	0402-998		1	Fork, Selector	40	0502-413		1	● Flange, Bearing
19	0402-417		1	Shaft, Shuttle	41	1402-079		1	● Pin, Alignment
20	0423-147		1	O-Ring	42	1402-042		1	● Collar, Sliding
21	0402-999		1	Spring, Return	43	1402-054		1	● Fork
22	0402-413		1	Coupler, Drive	44	1402-058		2	● Ring, Retaining
23	1423-067	X	1	Ring, Retaining	45	1402-057		1	● Spring
24	1502-851	X	1	Gear, Pinion - Assembly - 11T (inc. 25-26)	46	1402-063		1	● Spring
25	1402-977	X	1	● Collar, Retaining	47	1402-656		1	● Shaft, Lock
26	0402-327		1	● Bearing	48	1402-211		1	● Plug, Oil Level (inc. one No. 32)
27	1502-856	X	1	Housing, Gearcase	49	1402-056		1	● Seal
28	0402-328		1	Bearing	50	1402-950	X	2	● Seal
29	0402-411		1	Pin, Dowel	51	0402-333		1	Plug, Fill (inc. 52)
					52	0423-154		1	● O-Ring



REAR DRIVE GEARCASE ASSEMBLY

0746-191

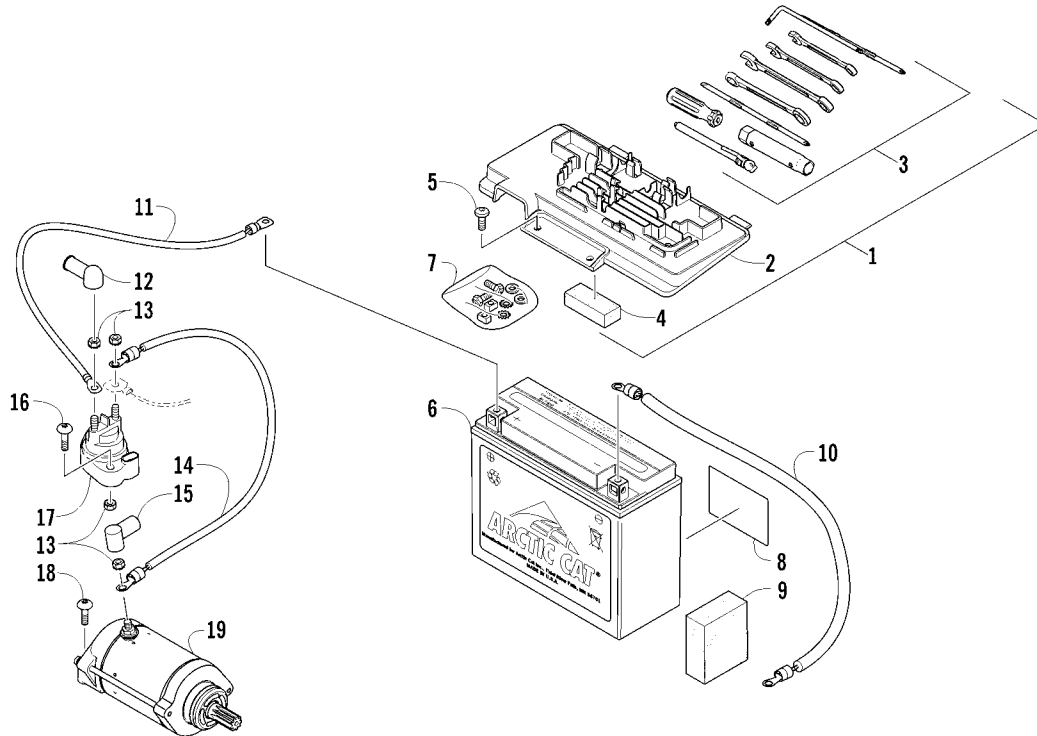
Ref	Part No.	New	Qty	Description	Ref	Part No.	New	Qty	Description
-	1502-883	X	1	Complete Rear Drive Gearcase Assembly	17	0402-947		1	Gasket
1	1502-896	X	1	Housing, Gearcase	18	0402-411		1	Pin, Dowel
2	1402-442		1	Fitting, Elbow	19	0402-328		1	Bearing
3	0402-450		1	Plug, Magnetic (inc. one No. 4)	20	1502-851	X	1	Gear, Pinion - Assembly - 11T (inc. 21-22)
4	0423-153		2	● O-Ring	21	0402-327		1	● Bearing
5	1402-950	X	2	Seal	22	1402-977	X	1	● Collar, Retaining
6	0402-393		2	Bearing	23	1423-067	X	1	Ring, Retaining
7	0402-405	AR		Shim, 41 x 49 x 1.3 mm	24	1502-655		1	Shaft, Input (inc. 25-32)
	0402-406	AR		Shim, 41 x 49 x 1.4 mm	25	1502-564		1	● Cartridge, Clutch - Assembly
	0402-407	AR		Shim, 41 x 49 x 1.5 mm	26	0423-799		1	● Ring, Retaining - External
	0402-408	AR		Shim, 41 x 49 x 1.6 mm	27	1402-682		1	● Basket, Clutch
	0402-409	AR		Shim, 41 x 49 x 1.7 mm	28	0423-798		1	● Ring, Retaining - Internal
8	1402-033		1	Gear, Ring - 34T	29	1402-678		1	● Bearing, Flange
9	0423-149		1	O-Ring	30	1402-677		1	● Bearing
10	1502-897	X	1	Cover, Gearcase	31	1402-687		1	● Seal
11	0402-333		1	Plug, Fill (inc. 12)	32	1502-285		1	● Housing, Input
12	0423-154		1	● O-Ring	33	0423-834		3	Screw, Self-Tapping
13	1402-211		1	Plug, Oil Level (inc. one No. 4)					
14	0423-118		8	Screw, Self-Tapping					
15	0402-326		1	Button, Thrust					
16	0402-429	AR		Shim, 6.3 x 18 x 1.3 mm					
	0402-430	AR		Shim, 6.3 x 18 x 1.4 mm					
	0402-431	AR		Shim, 6.3 x 18 x 1.5 mm					
	0402-432	AR		Shim, 6.3 x 18 x 1.6 mm					
	0402-433	AR		Shim, 6.3 x 18 x 1.7 mm					



WIRING HARNESS ASSEMBLY

0745-637

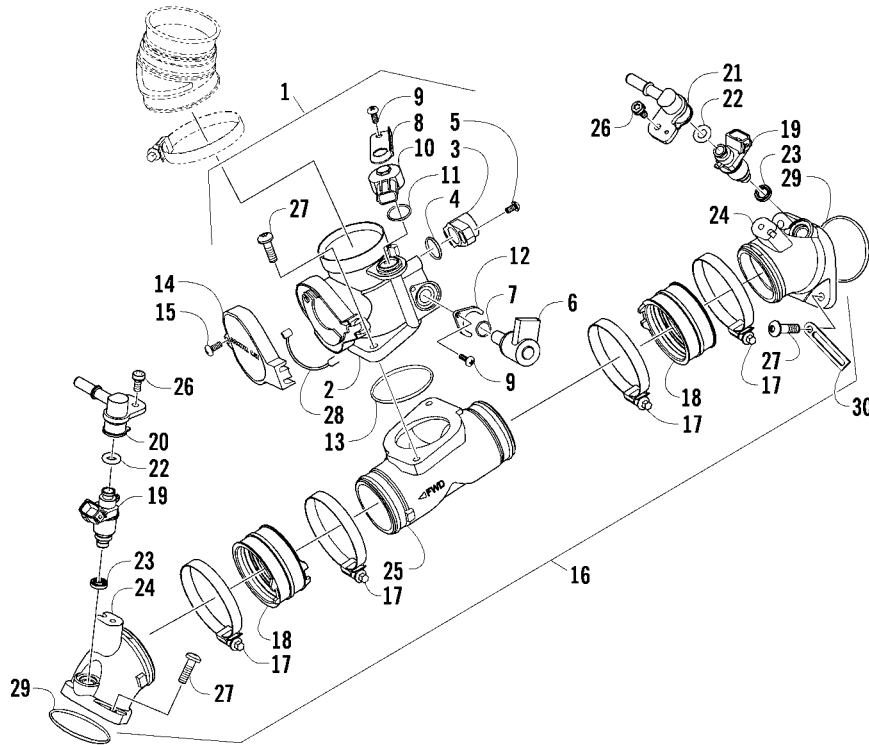
Ref	Part No.	New Qty	Description	Ref	Part No.	New Qty	Description
1	0486-390	1	Harness, Main (inc. 2-10)	15	0824-049	2	Cap, Spark Plug
2	0486-164	1	● Tether, Accessory Connector	16	8476-630	3	Screw, Machine
3	0430-085	1	● Cover, Fuse Block	17	8476-620	2	Screw, Machine
4	0430-045	6	● Relay (4-Pin) - 20 Amp	18	0623-038	5	Nut w/Washer
5	0430-034	2	● Diode	19	0423-036	2	Spacer
6	0430-037	1	● Holder, Fuse	20	0824-037	1	Regulator, Voltage
7	0430-032	5	● Fuse - 10 Amp	21	0530-033	1	ECU
	0430-031	4	● Fuse - 15 Amp	22	0430-059	1	Cushion, ECU
	0430-030	3	● Fuse - 30 Amp	23	0423-493	2	Nut w/Washer
8	2411-213	1	● Decal, Fuse Block	24	0409-064	1	Sensor, Tilt
9	0430-097	1	● Cover, Diagnostics Connector	25	0123-802	2	Washer
10	0430-086	1	● Seal	26	8468-425	2	Screw, Machine
11	1436-416	1	Repair Kit, Connector - Tilt Sensor	27	0409-089	1	Switch, Brake - Assembly
12	1436-415	1	Repair Kit, Connector - LCD Gauge	28	0123-788	AR	Tie, Cable - 8 in.
13	1436-289	AR	Repair Kit, Connector - Headlight		0123-903	AR	Tie, Cable - 11.5 in.
14	0824-043	2	Coil, Ignition - Assembly				



BATTERY AND STARTER ASSEMBLY

0745-641

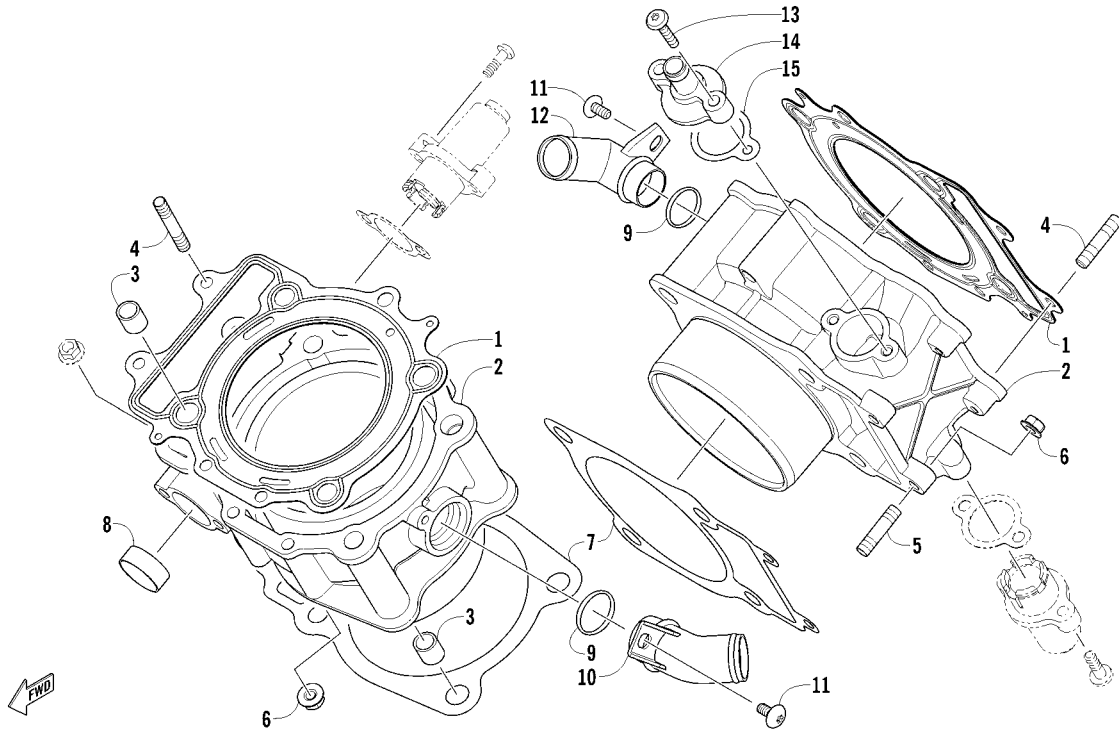
Ref	Part No.	New Qty	Description	Ref	Part No.	New Qty	Description
1	5991-655	1	Battery Cover/Tool Tray Assembly (inc. 2-4)	10	0445-071	1	Cable, Battery/Ground
2	2406-815	1	● Cover, Battery	11	0445-062	1	Cable, Battery/Soleniod
3	0444-122	1	● Kit, Tool	12	0645-327	1	Boot, Terminal
4	0417-016	1	● Pad, Battery	13	0623-038	5	Nut w/Washer
5	8476-620	2	Screw, Machine	14	0445-066	1	Cable, Solenoid/Starter (inc. 15)
6	0645-480	1	Battery Assembly (inc. 7-8)	15	0645-019	1	● Boot, Terminal
7	0445-082	1	● Kit, Hardware	16	8476-630	2	Screw, Machine
8	0645-430	1	● Decal, Warning	17	0445-058	1	Solenoid
9	0417-012	1	Foam, Battery	18	8476-625	2	Screw, Machine
				19	0825-015	1	Motor, Starter - Assembly



THROTTLE BODY ASSEMBLY

0742-977

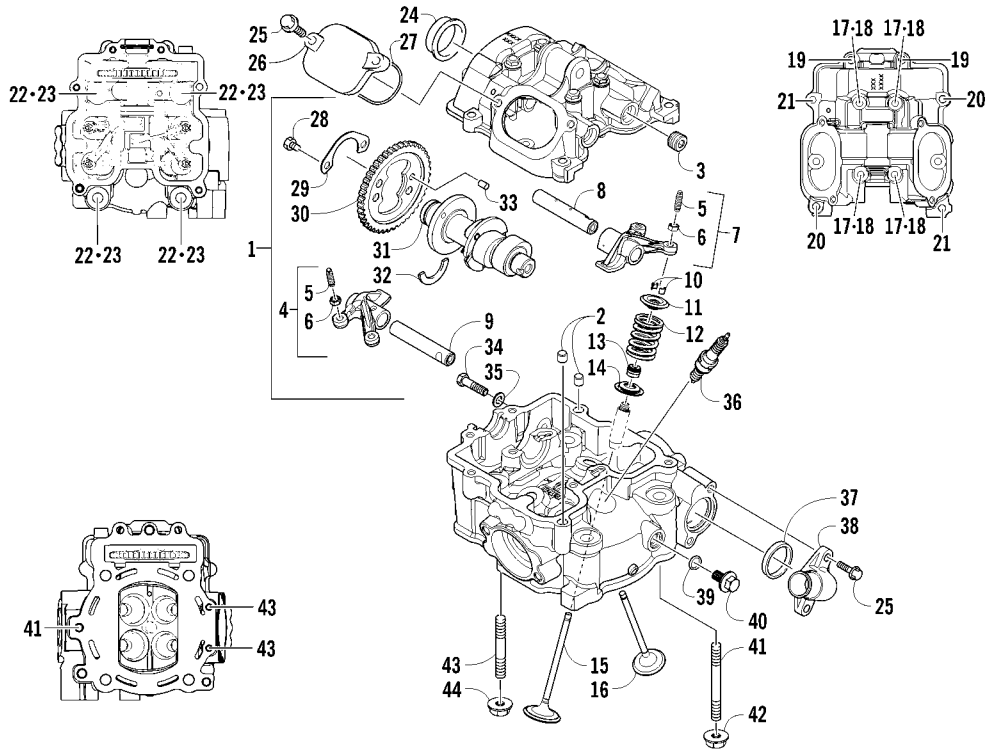
Ref	Part No.	New Qty	Description	Ref	Part No.	New Qty	Description
1	0470-686	1	Throttle - Assembly (inc. 2-15)	16	0570-230	1	Manifold, Intake - Assembly (inc. 17-26)
2	-	1	● Throttle Body - Not a Service Part	17	0423-066	4	● Clamp
3	0430-072	1	● Sensor, Throttle Position	18	0470-660	2	● Boot, Intake - Manifold
4	5507-234	1	● O-Ring, Throttle Position Sensor	19	0470-688	2	● Injector, Fuel
5	5507-231	1	● Screw, Machine	20	0470-763	1	● Rail, Fuel - Front Cylinder
6	0430-074	1	● Valve, ISC	21	0470-764	1	● Rail, Fuel - Rear Cylinder
7	5507-233	1	● O-Ring, ISC Valve	22	0470-767	2	● O-Ring, Fuel Injector
8	5507-227	1	● Bracket, MAP Sensor	23	0470-768	2	● Ring, Seal - Fuel Injector
9	5507-117	2	● Screw, Machine	24	0570-140	2	● Manifold, Intake
10	0430-073	1	● Sensor, MAP	25	0570-156	1	● Plenum, Intake
11	5507-232	1	● O-Ring, MAP Sensor	26	0423-371	2	● Screw, Machine
12	5507-229	1	● Plate, ISC Valve	27	0826-008	6	Screw, Machine
13	5507-235	1	● O-Ring	28	0487-046	1	Cable, Throttle
14	5507-223	1	● Cover	29	0830-090	2	O-Ring
15	5507-037	1	● Screw, Machine	30	3002-964	1	Clamp, Wire



CYLINDER ASSEMBLY

0745-047

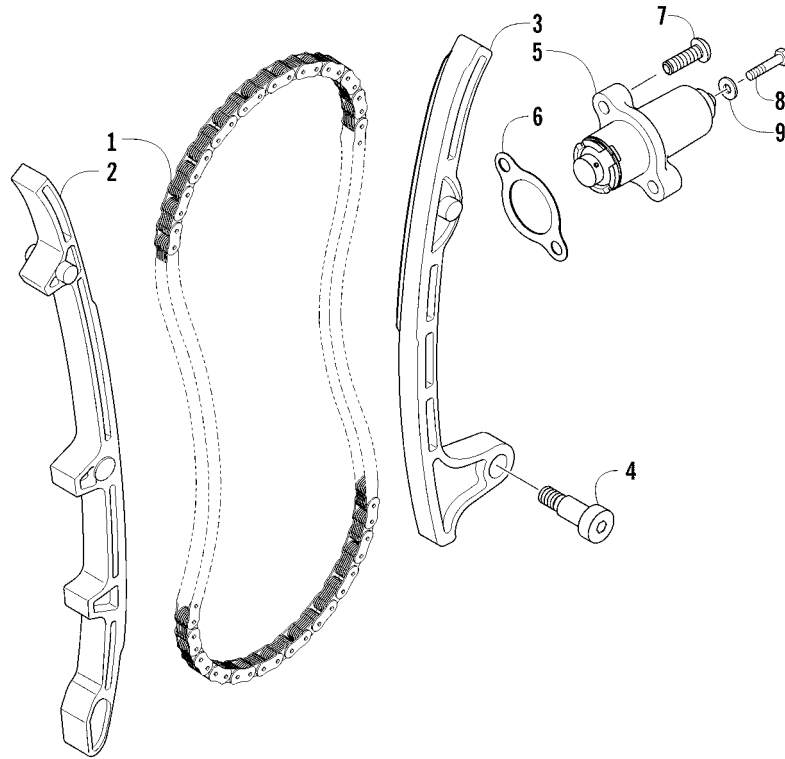
Ref	Part No.	New Qty	Description	Ref	Part No.	New Qty	Description
1	0830-209	2	Gasket, Head	9	0830-007	2	O-Ring
2	0804-031	2	Cylinder	10	0804-046	1	Union, Coolant Hose
3	0829-002	8	Pin, Dowel	11	8468-612	2	Screw, Machine
4	0827-002	4	Bolt, Stud	12	0804-030	1	Union, Coolant Hose
5	0827-018	4	Bolt, Stud	13	8468-630	2	Screw, Machine
6	8424-604	8	Nut	14	0801-174	1	Cover, Breather
7	0830-193	2	Gasket, Base	15	0830-134	1	Gasket
8	0804-037	1	Plug, Cylinder				



CYLINDER HEAD AND CAMSHAFT/VALVE ASSEMBLY

0745-535

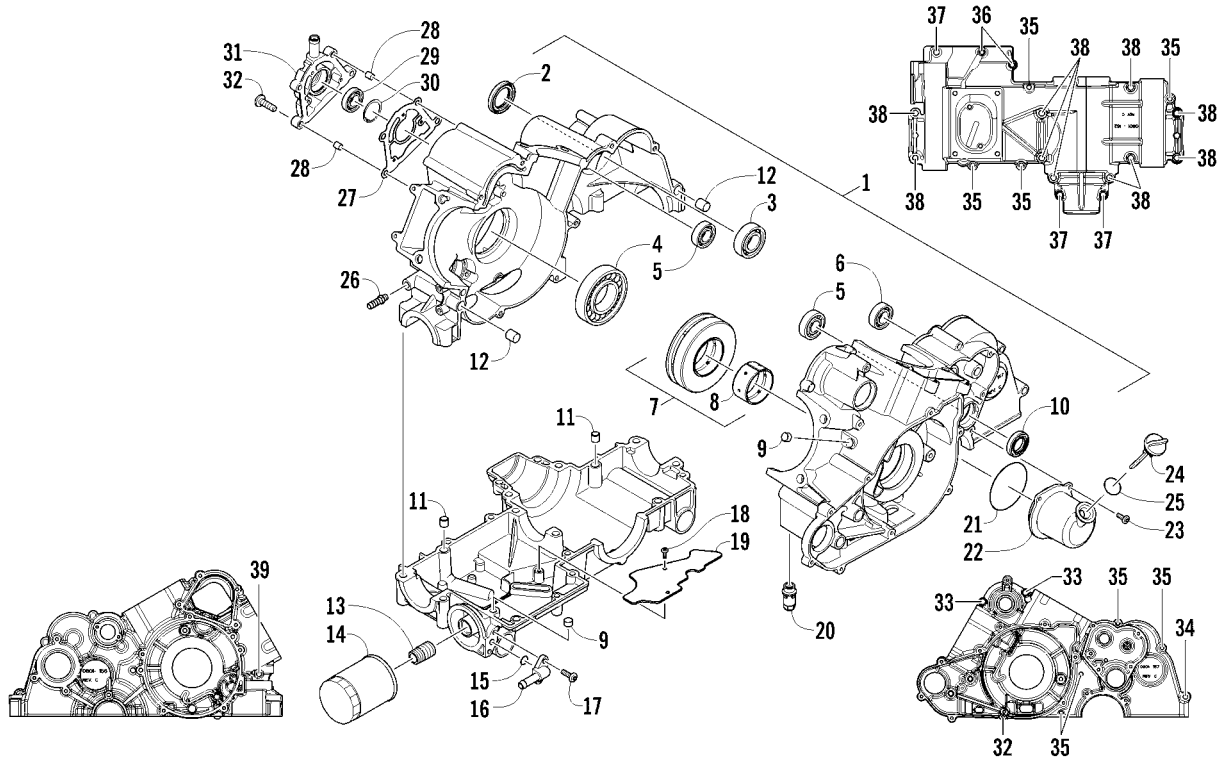
Ref	Part No.	New Qty	Description	Ref	Part No.	New Qty	Description
1	0808-175	2	Head, Cylinder - Assembly (inc. 2-17)	23	0830-147	8	Washer
2	0829-048	4	● Pin, Dowel	24	0808-077	2	Plug, Cylinder Head
3	0831-092	X 4	● Plug, Shaft	25	0826-007	12	Screw, Cap
4	0809-237	2	● Arm, Valve Rocker - Exhaust (inc. two No. 5-6)	26	0808-003	4	Cap, Inspection
5	0809-240	8	●●● Screw, Adjuster	27	0830-167	4	O-Ring
6	0827-059	8	●●● Nut	28	0826-034	4	Screw, Cap
7	0809-234	2	● Arm, Valve Rocker - Intake (inc. two No. 5-6)	29	0828-004	2	Plate, Retainer
8	0809-241	2	● Shaft, Rocker Arm - Intake	30	0809-212	X 2	Sprocket
9	0809-242	2	● Shaft, Rocker Arm - Exhaust	31	0809-246	1	Camshaft, Front Cylinder
10	0809-233	16	● Cotter, Valve	0809-248	1	Camshaft, Rear Cylinder	
11	0809-232	8	● Retainer, Spring	32	0809-003	2	C-Ring
12	0809-231	8	● Spring, Valve	33	0829-049	2	Pin, Dowel
13	0830-186	8	● Seal, Oil	34	8400-812	2	Screw, Cap
14	0809-230	8	● Seat, Spring - Valve	35	0830-025	2	Washer, Crush
15	0809-228	4	● Valve, Intake	36	0217-799	2	Spark Plug - CPR8E
16	0809-229	4	● Valve, Exhaust	37	0830-120	2	Seal
17	0826-149	8	● Screw, Cap	38	0808-008	2	Cover, Thermostat
18	0830-155	8	Gasket	39	0830-213	2	O-Ring
19	0826-002	4	Screw, Cap	40	0826-157	2	Screw, Cap
20	0826-005	4	Screw, Cap	41	0827-062	2	Bolt, Stud
21	0826-006	4	Screw, Cap	42	8424-804	2	Nut
22	0808-090	8	Screw, Cap	43	0827-030	4	Bolt, Stud
				44	8424-604	4	Nut



CAM CHAIN ASSEMBLY

0745-069

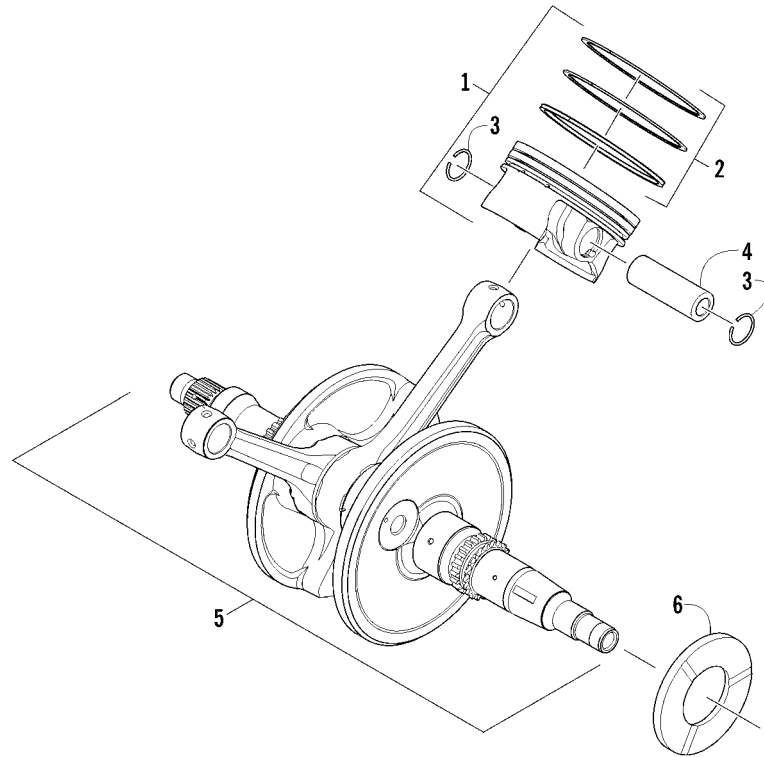
Ref	Part No.	New Qty	Description	Ref	Part No.	New Qty	Description
1	0810-001	2	Chain, Cam	6	0830-134	2	Gasket
2	0810-046	2	Guide, Chain	7	8468-620	4	Screw, Machine
3	0810-049	2	Tensioner, Chain	8	8400-610	2	Screw, Cap
4	0826-106	2	Pivot, Tensioner	9	0828-129	2	Washer
5	0810-004	2	Adjuster, Tensioner - Assembly				



CRANKCASE ASSEMBLY

0745-051

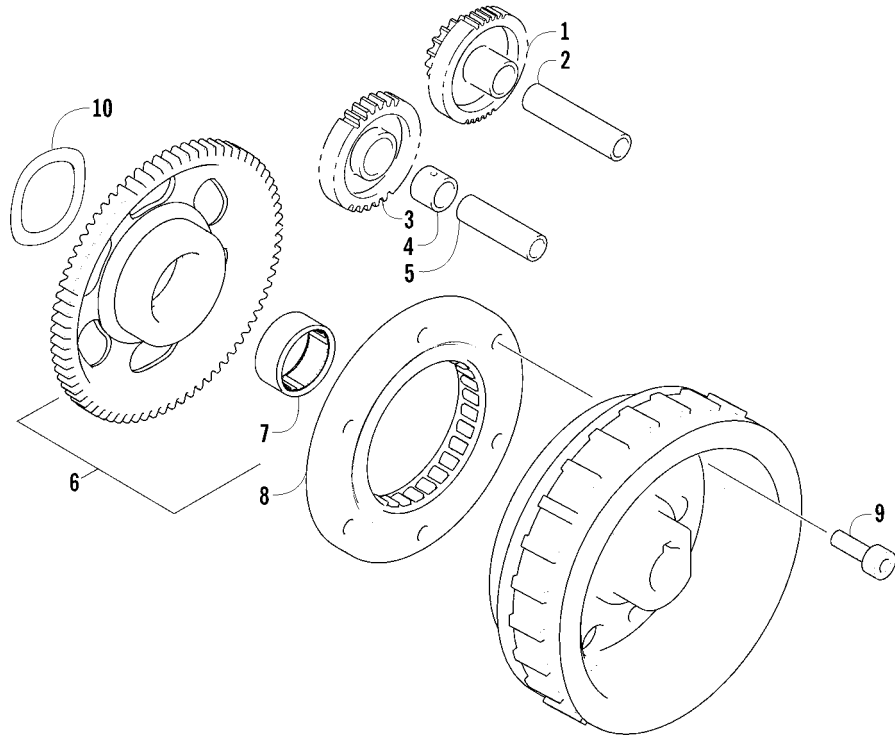
Ref	Part No.	New Qty	Description	Ref	Part No.	New Qty	Description
1	0801-172	1	Crankcase - Assembly (inc. 2-13)	21	0830-162	1	O-Ring, Oil Filler Cover
2	0830-035	1	● Seal, Driveshaft	22	0812-081	1	Cover, Oil Filler
3	0832-048	1	● Bearing	23	8468-616	3	Screw, Machine
4	0832-042	1	● Bearing	24	0801-179	1	Stick, Oil Level
5	0832-050	2	● Bearing	25	0830-010	1	O-Ring
6	0832-049	1	● Bearing	26	0812-078	1	Fitting, Oil - Threaded
7	0832-055	1	● Bearing - Assembly (inc. 8)	27	0830-191	1	Gasket, Breather
8	0832-057	1	● Bearing	28	0829-048	2	Pin, Dowel
9	0801-002	2	● Plug, Engine Case	29	0832-084	1	Bearing
10	0822-052	1	● Seal, Countershaft - Right	30	0831-086	1	Circlip
11	0829-003	2	● Pin, Dowel	31	0801-193	1	Cover, Breather
12	0829-002	2	● Pin, Dowel	32	8468-625	5	Screw, Machine
13	0812-008	1	● Union, Oil Filter	33	8468-630	2	Screw, Machine
14	0812-029	1	Filter, Oil	34	8412-875	1	Screw, Cap
15	0830-172	1	O-Ring	35	8468-660	8	Screw, Machine
16	0812-060	1	Fitting, Oil	36	8468-640	2	Screw, Machine
17	8468-620	2	Screw, Machine	37	8412-830	3	Screw, Cap
18	0623-914	2	Screw, Self-Tapping	38	8412-860	10	Screw, Cap
19	0812-079	1	Plate, Oil Sump	39	8412-850	1	Screw, Cap
20	0812-052	1	Valve, Oil-Relief - Assembly				



CRANKSHAFT AND PISTON ASSEMBLY

0745-070

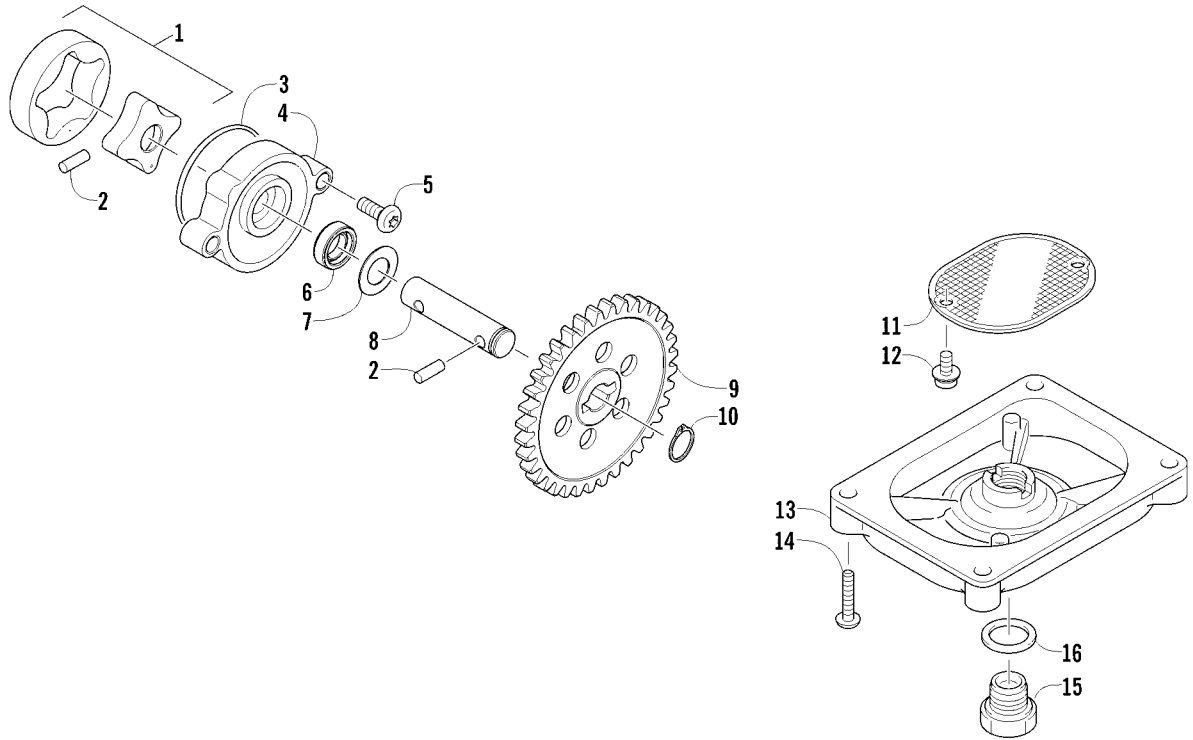
Ref	Part No.	New Qty	Description	Ref	Part No.	New Qty	Description
1	0805-299	2	Piston Set - Assembly (inc. 2-4)	4	0805-198	2	● Pin, Piston
2	0805-164	2	● Ring, Piston - Set	5	0805-331	X 1	Crankshaft - Assembly
3	0805-199	4	● Circlip, Piston Pin	6	0805-273	1	Washer, Thrust



STARTER CLUTCH ASSEMBLY

0745-071

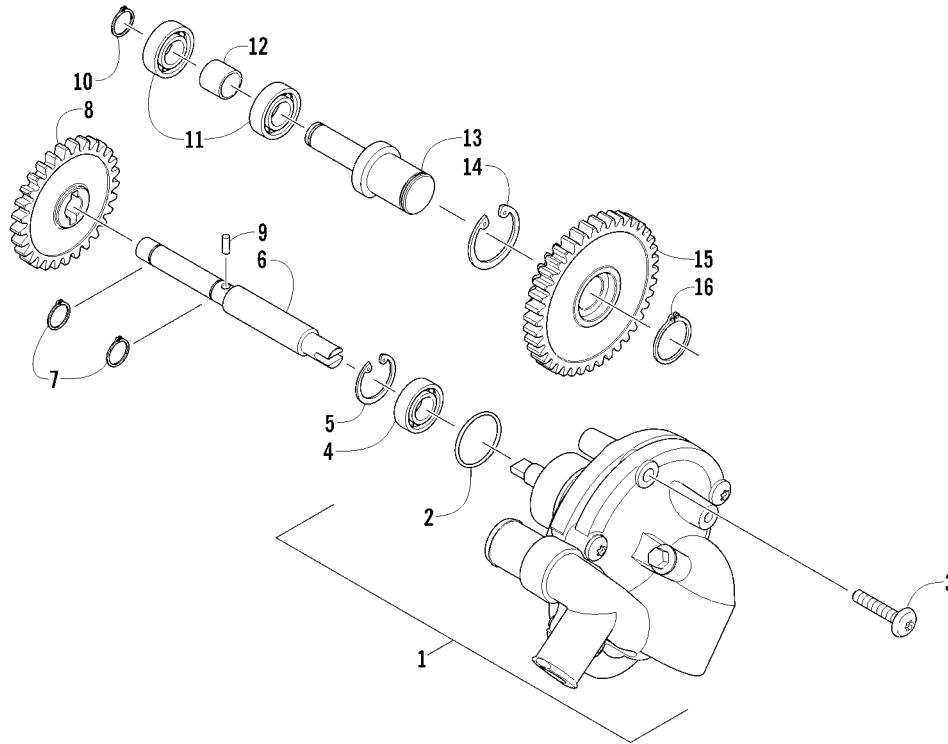
Ref	Part No.	New Qty	Description	Ref	Part No.	New Qty	Description
1	0815-026	1	Gear, Starter Idler - No. 1	6	0815-004	1	Gear, Starter Clutch (inc. 7)
2	0829-031	1	Shaft, Starter Gear	7	0832-079	1	● Bearing
3	0815-002	1	Gear, Starter Idler - No. 2	8	0802-035	1	Clutch, Starter
4	0815-003	1	Spacer, Starter Idler Gear No. 2	9	0826-069	6	Screw, Cap
5	0829-032	1	Shaft, Starter Gear	10	0828-113	1	Washer, Wave



OIL PUMP ASSEMBLY

0745-052

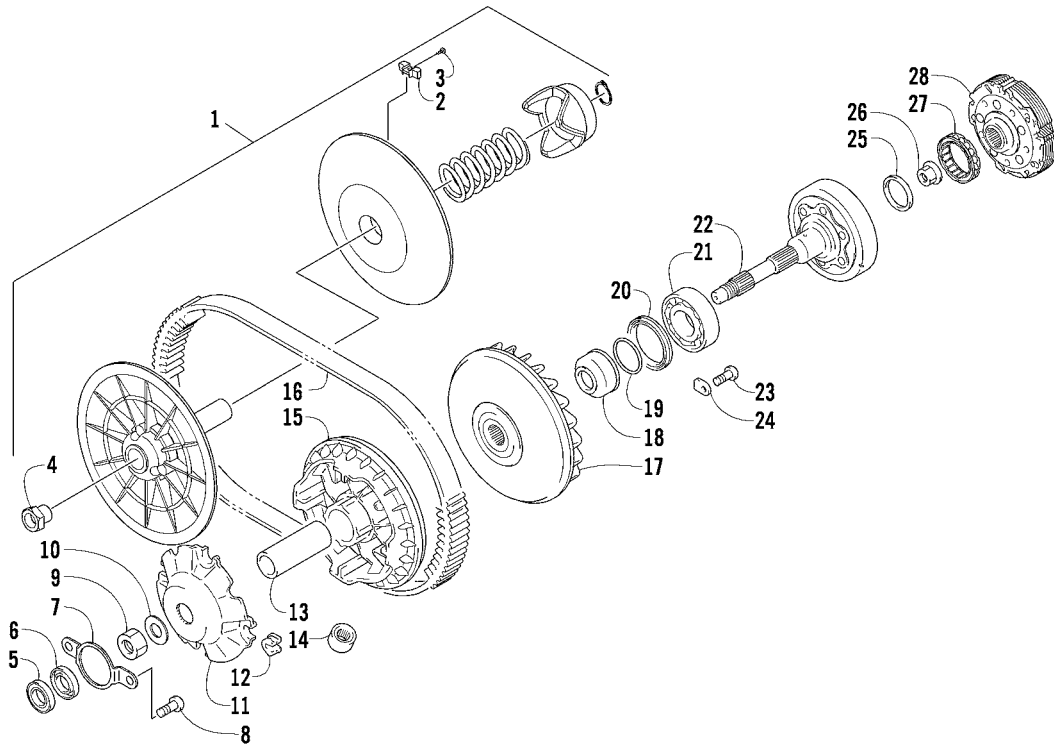
Ref	Part No.	New Qty	Description	Ref	Part No.	New Qty	Description
1	0812-041	1	Gerotor - Set	9	0812-045	1	Gear, Driven
2	0829-009	2	Pin, Dowel	10	0831-002	1	Ring, Retaining
3	0812-048	1	O-Ring	11	0812-057	1	Strainer, Oil
4	0812-040	1	Housing, Oil Pump	12	0826-040	2	Screw, Machine
5	8468-625	2	Screw, Machine	13	0812-053	1	Cap, Oil Strainer
6	0812-047	1	Seal, Oil Pump	14	8468-625	4	Screw, Machine
7	0828-007	1	Shim	15	0812-006	1	Plug, Drain
8	0812-046	1	Shaft, Oil Pump	16	0830-017	1	Gasket, Drain Plug



WATER PUMP ASSEMBLY

0745-053

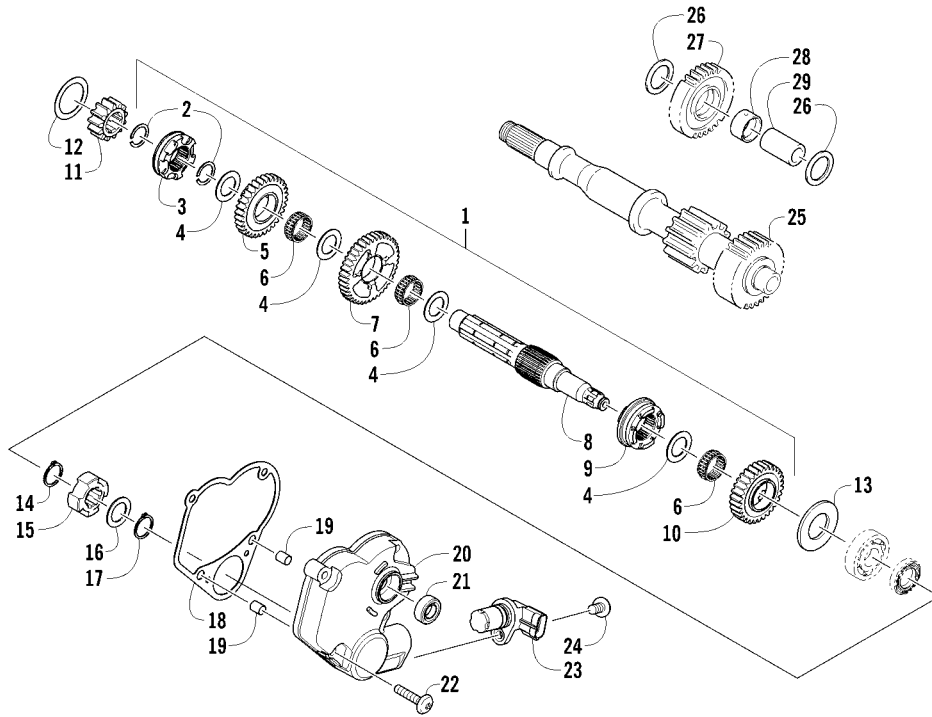
Ref	Part No.	New Qty	Description	Ref	Part No.	New Qty	Description
1	0813-056	1	Pump, Water - Assembly (inc. 2)	9	0829-009	1	Pin, Dowel
2	0830-029	1	● O-Ring	10	0831-002	1	Ring, Retaining
3	8468-650	2	Screw, Machine	11	0832-046	2	Bearing
4	0832-084	1	Bearing	12	0813-028	1	Spacer, Idler - Water Pump
5	0831-086	1	Circlip	13	0813-026	1	Shaft, Water Pump Idler Gear
6	0813-041	1	Shaft, Driven Gear	14	0831-004	1	Ring, Retaining
7	0831-010	2	Ring, Retaining	15	0813-027	1	Gear, Idler - Water Pump - Drive
8	0813-043	1	Gear, Driven	16	0831-040	1	Ring, Retaining



TRANSMISSION ASSEMBLY

0742-982

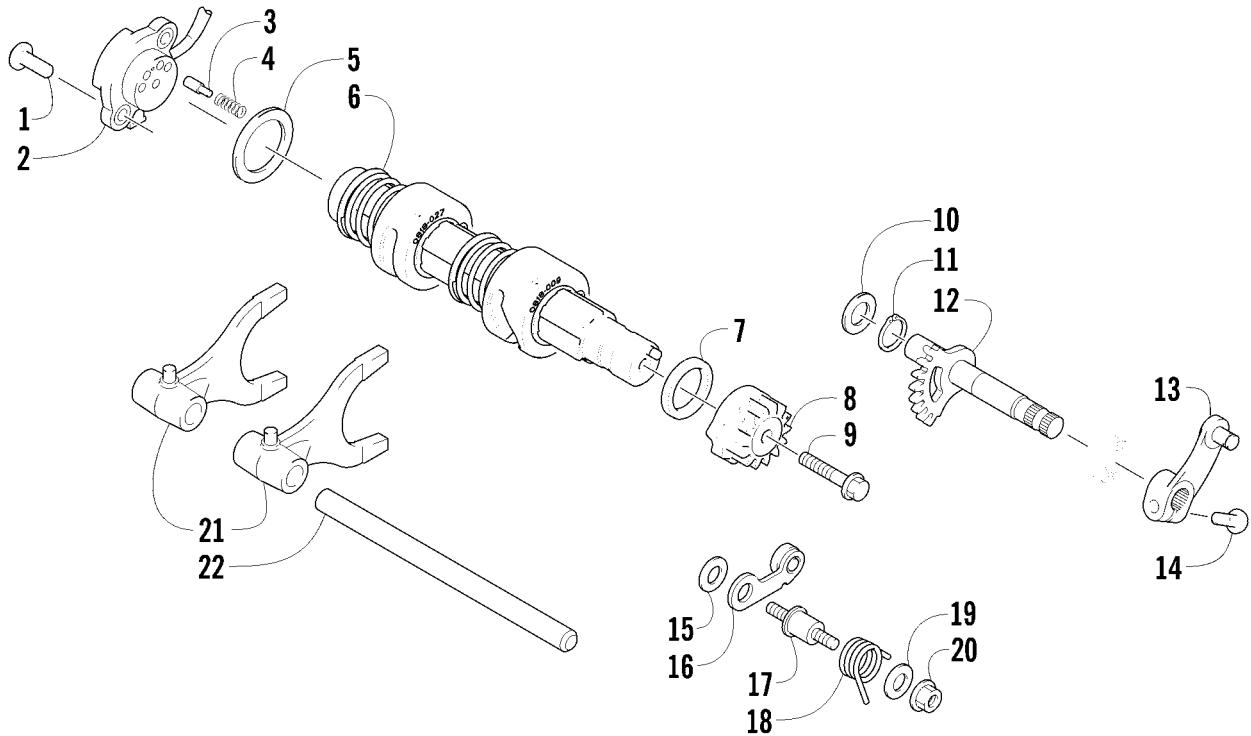
Ref	Part No.	New	Qty	Description	Ref	Part No.	New	Qty	Description
1	0823-353	X	1	Pulley, Driven - Assembly (inc. 2-4)	15	0823-273	X	1	Face, Movable Drive
2	0823-176		3	● Shoe, Cam	16	0823-231		1	Belt, Drive
3	0823-177		3	● Screw, Machine	17	0823-272	X	1	Face, Fixed Drive
4	0823-178		1	● Nut, Driven Pulley	18	0823-015		1	Spacer, Fixed Drive Face
5	0832-010		1	Bearing	19	0470-531		1	O-Ring
6	0830-176		1	Seal	20	0830-188		1	Seal, Clutch Housing - Right
7	0823-020		1	Retainer, Bearing	21	0832-009		1	Bearing
8	0826-031		2	Screw, Machine	22	0821-002		1	Housing, Clutch
9	0827-010		1	Nut	23	0826-029		2	Screw, Machine
10	0828-106		1	Washer	24	0822-010		2	Retainer, Bearing
11	0823-276	X	1	Plate, Movable Drive Face	25	0830-189		1	Seal, Clutch Housing - Left
12	0823-277	X	4	Damper, Movable Drive Face	26	0827-011		1	Nut
13	0823-358	X	1	Spacer, Movable Drive Face	27	0823-018		1	Clutch, One-Way
14	0823-170		8	Roller, Movable Drive Face	28	0823-310		1	Clutch, Centrifugal - 6 Plate



SECONDARY TRANSMISSION ASSEMBLY

0745-540

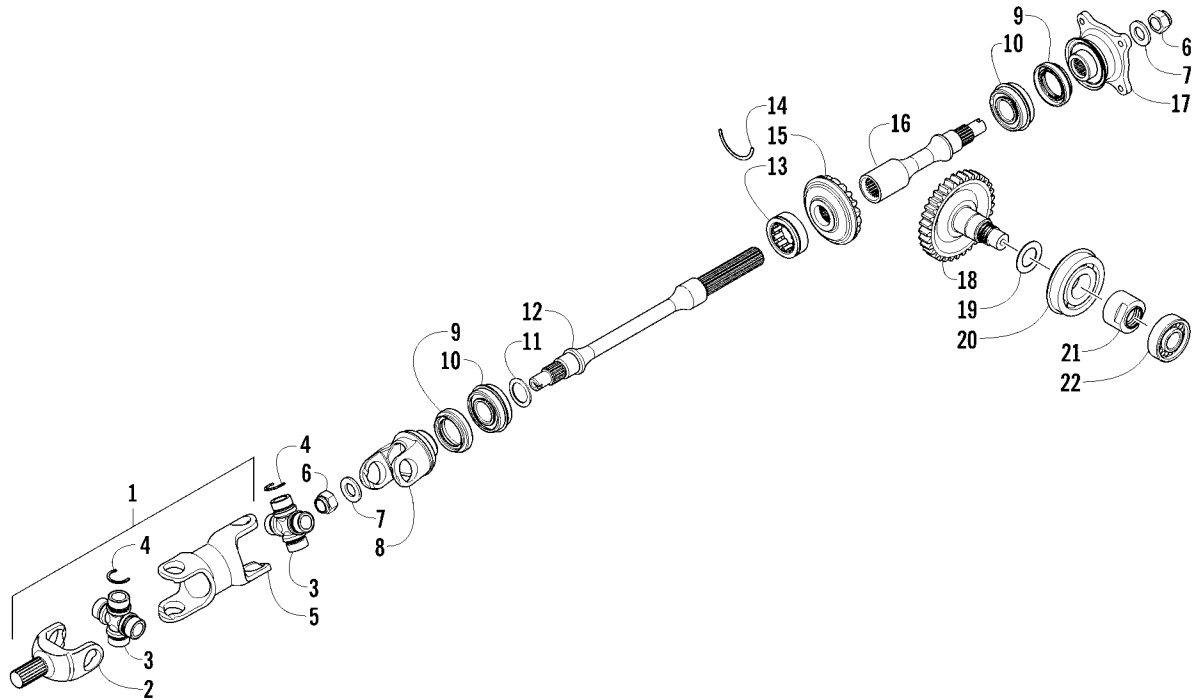
Ref	Part No.	New Qty	Description	Ref	Part No.	New Qty	Description
1	0822-124	1	Countershaft Assembly (inc. 2-10)	16	0828-069	1	Washer, Thrust
2	0831-085	2	● Ring, Retaining	17	0831-039	1	Ring, Retaining
3	0822-120	1	● Gear Select, Reverse	18	0830-194	1	Gasket
4	0822-121	4	● Shim	19	0829-048	2	Pin, Dowel
5	0822-119	1	● Gear, Reverse Driven	20	0806-105	1	Housing, Speedometer Sensor
6	0832-082	3	● Bearing	21	0830-044	1	Seal
7	0822-114	1	● Gear, Driven - Low	22	8468-630	4	Screw, Machine
8	0822-113	1	● Countershaft	23	0824-042	1	Sensor, Speedometer
9	0822-116	1	● Gear Select, Sliding	24	8468-620	1	Screw, Machine
10	0822-115	1	● Gear, Driven - High	25	0822-001	1	Driveshaft
11	0822-125	1	Gear, Drive	26	0828-016	2	Washer, Thrust
12	0828-019	1	Washer, Thrust	27	0822-011	1	Gear, Reverse Idle
13	0828-011	1	Washer	28	0822-012	1	Bushing
14	0831-040	1	Ring, Retaining	29	0822-015	1	Shaft, Reverse Idle
15	0822-050	1	Trigger, Speedometer Sensor				



GEAR SHIFTING ASSEMBLY

0746-025

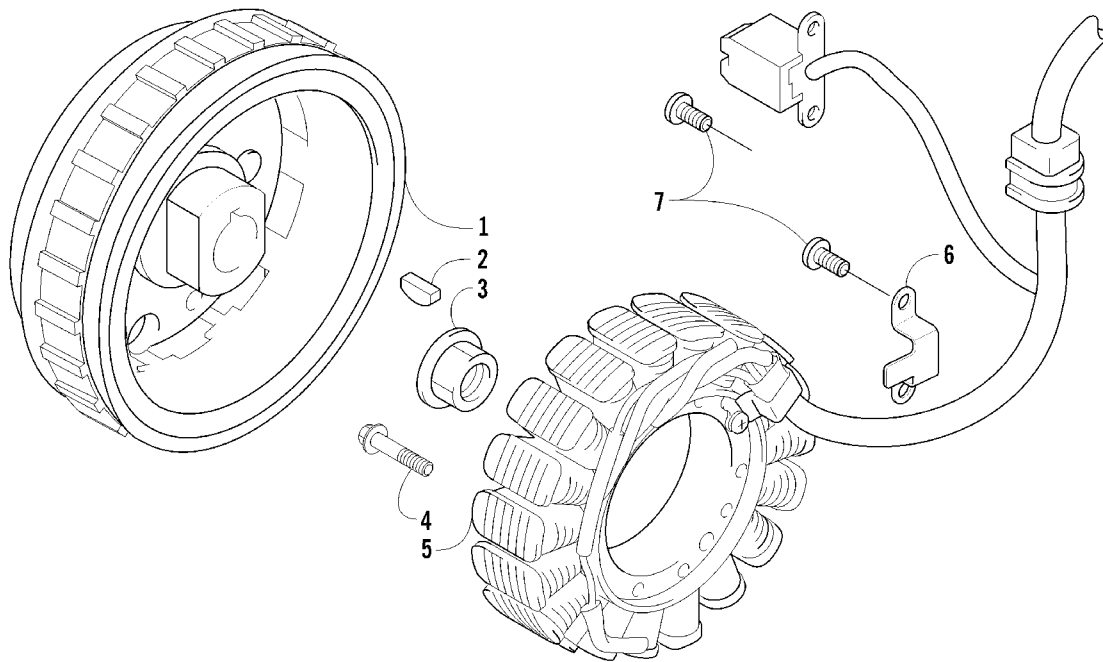
Ref	Part No.	New Qty	Description	Ref	Part No.	New Qty	Description
1	8470-516	2	Screw, Machine	12	0818-095	1	Shaft, Sub-Gear Shift
2	0409-091	1	Switch, Gear Position	13	0818-014	1	Arm, Shift
3	0818-013	2	Contact	14	8468-620	1	Screw, Machine
4	0818-017	2	Spring	15	0828-038	1	Washer
5	0828-040	1	Washer	16	0818-002	1	Stopper, Cam
6	0818-046	1	Shaft, Gear Shift - Assembly	17	0818-004	1	Support, Cam Stopper
7	0828-131	X 1	Spacer	18	0818-090	1	Spring
8	0818-055	1	Cam, Gear Shift	19	0828-035	1	Washer
9	0826-006	1	Screw, Cap	20	8424-602	1	Nut
10	0828-036	1	Washer	21	0818-072	2	Fork, Shift
11	0831-010	1	Ring, Retaining	22	0818-006	1	Shaft, Shift Fork



SECONDARY DRIVE ASSEMBLY

0745-058

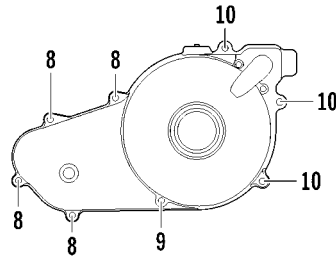
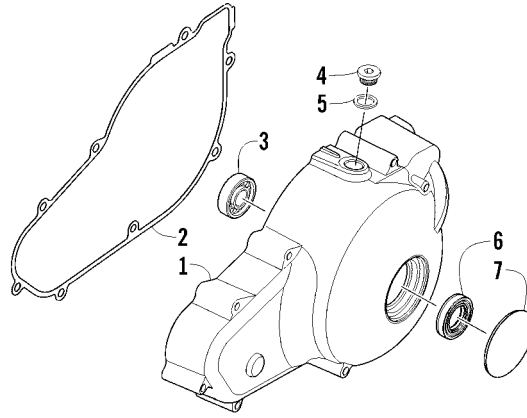
Ref	Part No.	New	Qty	Description	Ref	Part No.	New	Qty	Description
1	1502-342		1	Driveshaft, Front - Assembly (inc. 2, one No. 3, four No. 4, and 5)	12	0819-089		1	Shaft, Secondary Driven - Front
2	1402-701		1	● Yoke, Slip	13	0832-016		1	Bearing, Driven Gear
3	0402-944		2	● Joint, Universal - Set (inc. 4)	14	0819-011		1	Ring, Driven Bearing
4	0423-395		8	●● Ring, Retaining	15	0822-106		1	Gear, Secondary Driven
5	1502-341		1	● Driveshaft, Front	16	0819-053		1	Shaft, Secondary Driven - Rear
6	0827-013		2	Nut	17	0819-005		1	Flange, Output Joint - Rear
7	0828-020		2	Washer	18	0822-132		1	Gear, Secondary Drive
8	1502-325		1	Yoke, Propeller Shaft Joint	19	0828-119		AR	Shim, 30 x 48 x 0.25 mm
9	0830-043		2	Seal, Oil		0828-120		AR	Shim, 30 x 48 x 0.30 mm
10	0832-017		2	Bearing		0828-121		AR	Shim, 30 x 48 x 0.35 mm
11	0828-021		AR	Shim, 25 x 34 x 0.25 mm		0828-122		AR	Shim, 30 x 48 x 0.90 mm
	0828-022		AR	Shim, 25 x 34 x 0.30 mm		0828-123		AR	Shim, 30 x 48 x 0.95 mm
	0828-023		AR	Shim, 25 x 34 x 0.70 mm		0828-124		AR	Shim, 30 x 48 x 1.00 mm
	0828-024		AR	Shim, 25 x 34 x 0.90 mm		0828-125		AR	Shim, 30 x 48 x 1.05 mm
	0828-025		AR	Shim, 25 x 34 x 0.95 mm		0828-126		AR	Shim, 30 x 48 x 1.10 mm
	0828-026		AR	Shim, 25 x 34 x 1.00 mm		0828-127		AR	Shim, 30 x 48 x 1.15 mm
	0828-027		AR	Shim, 25 x 34 x 1.05 mm	20	0832-083		1	Bearing
	0828-028		AR	Shim, 25 x 34 x 1.10 mm	21	0827-060		1	Nut
	0828-029		AR	Shim, 25 x 34 x 1.15 mm	22	0832-050		1	Bearing



MAGNETO ASSEMBLY

0746-026

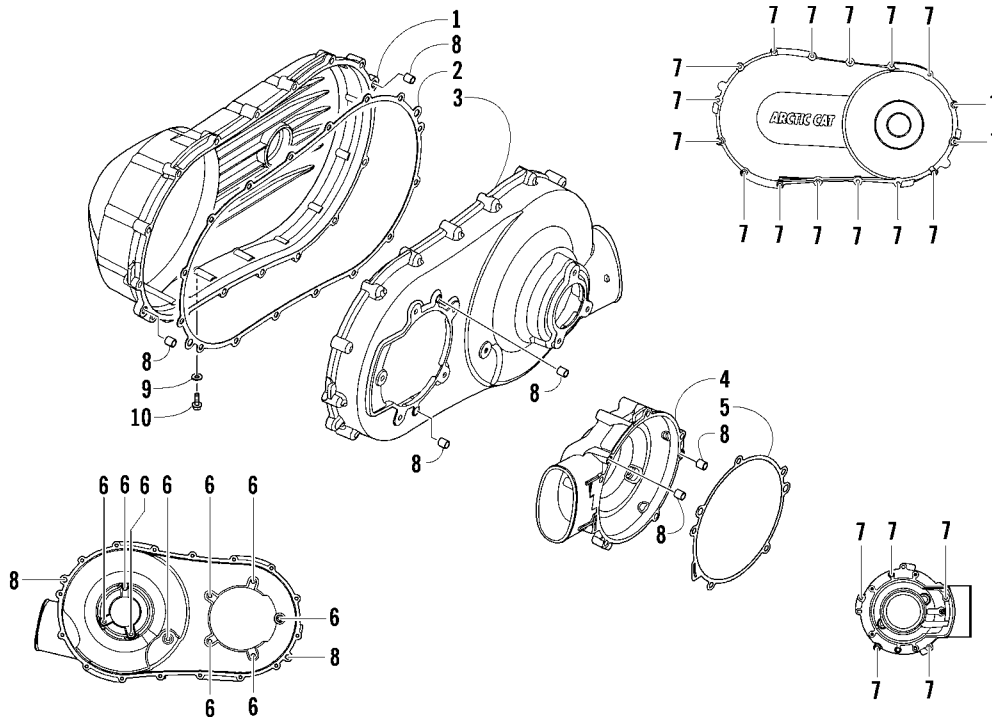
Ref	Part No.	New Qty	Description	Ref	Part No.	New Qty	Description
1	0802-042	1	Rotor/Flywheel	5	0802-041	1	Stator - Assembly
2	0829-012	1	Key	6	0831-064	1	Clamp
3	0827-010	1	Nut	7	8470-510	4	Screw, Machine
4	8409-632	3	Screw, Cap				



MAGNETO SIDE ENGINE COVERS

0745-061

Ref	Part No.	New Qty	Description	Ref	Part No.	New Qty	Description
1	0806-107	1	Cover, Magneto	6	0830-176	1	Seal, Cap
2	0830-132	1	Gasket, Magneto Cover	7	0806-066	1	Cap, Magneto Cover
3	0832-010	1	Bearing	8	8468-650	4	Screw, Machine
4	0826-155	1	Plug, Check	9	8468-695	1	Screw, Machine
5	0830-015	1	Washer, Crush	10	8468-665	3	Screw, Machine



CLUTCH SIDE ENGINE COVERS

0742-232

Ref	Part No.	New Qty	Description	Ref	Part No.	New Qty	Description
1	0806-112	1	Cover, Outside	6	8468-616	9	Screw, Machine
2	0830-137	1	Gasket, Cover	7	8468-630	21	Screw, Machine
3	0806-110	1	Cover, Inside	8	0829-048	6	Pin, Dowel
4	0806-109	1	Cover, Clutch	9	0830-013	1	Washer, Crush
5	0830-133	1	Gasket, Clutch Cover	10	8408-812	1	Screw, Cap

