

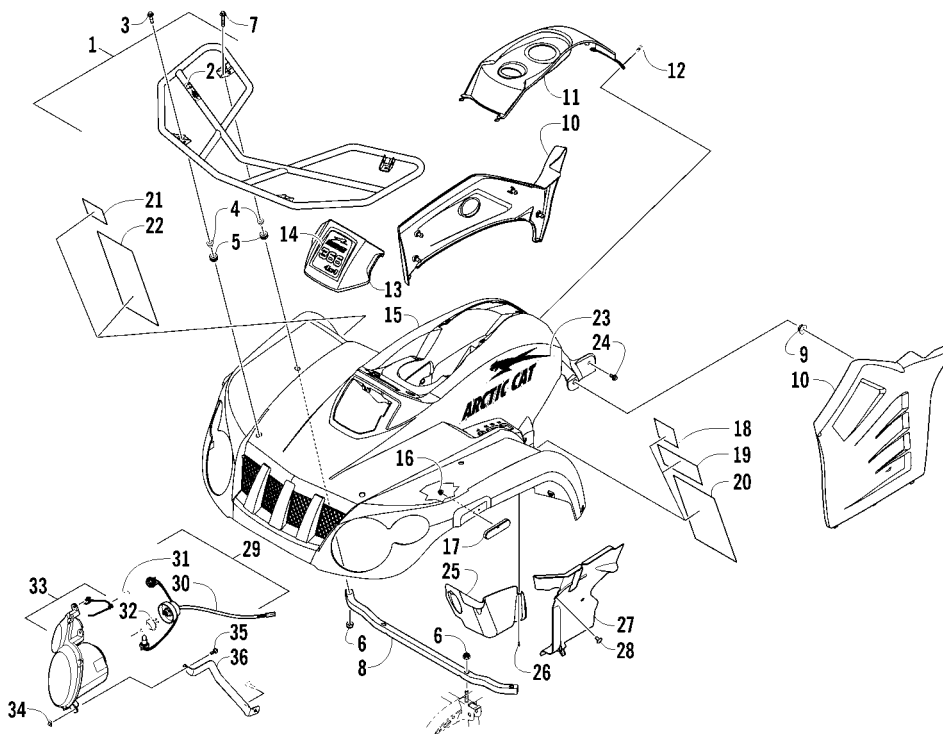
TABLE OF CONTENTS

2011 ATV 366 SE

Metallic Black (Model No. A2011IDG4BUSO)

FRONT BODY, RACK, AND HEADLIGHT ASSEMBLY	1
REAR BODY, RACK, AND TAILLIGHT ASSEMBLY	2
FRAME AND RELATED PARTS	3
SEAT ASSEMBLY	4
STEERING ASSEMBLY	5
HANDLEBAR ASSEMBLY	6
WINDSHIELD ASSEMBLY	7
FRONT SUSPENSION ASSEMBLY	8
REAR SUSPENSION ASSEMBLY	9
WHEEL AND TIRE ASSEMBLY	10
HYDRAULIC BRAKE ASSEMBLY	11
GAS TANK ASSEMBLY	12
SHIFT LEVER ASSEMBLY	13
AIR INTAKE ASSEMBLY	14
ENGINE AND EXHAUST	15
OIL COOLER ASSEMBLY	16
CASE/BELT COOLING ASSEMBLY	17
DRIVE TRAIN ASSEMBLY	18
FRONT DRIVE GEARCASE ASSEMBLY	19
REAR DRIVE GEARCASE ASSEMBLY	20
WIRING HARNESS ASSEMBLY	21
BATTERY ASSEMBLY	22
CARBURETOR	23
CYLINDER ASSEMBLY	24
CYLINDER HEAD AND CAMSHAFT/VALVE ASSEMBLY	25
CAM CHAIN ASSEMBLY	26
CRANKCASE ASSEMBLY	27
CRANKSHAFT AND PISTON ASSEMBLY	28
CLUTCH/V-BELT/MAGNETO COVER ASSEMBLY	29
STARTER CLUTCH ASSEMBLY	30
CRANK BALANCER ASSEMBLY	31
OIL PUMP AND STRAINER ASSEMBLY	32
TRANSMISSION ASSEMBLY	33
SECONDARY TRANSMISSION ASSEMBLY	34
GEAR SHIFTING ASSEMBLY 3.....	5
SECONDARY DRIVE ASSEMBLY	36
STARTER MOTOR ASSEMBLY	37
MAGNETO ASSEMBLY	38

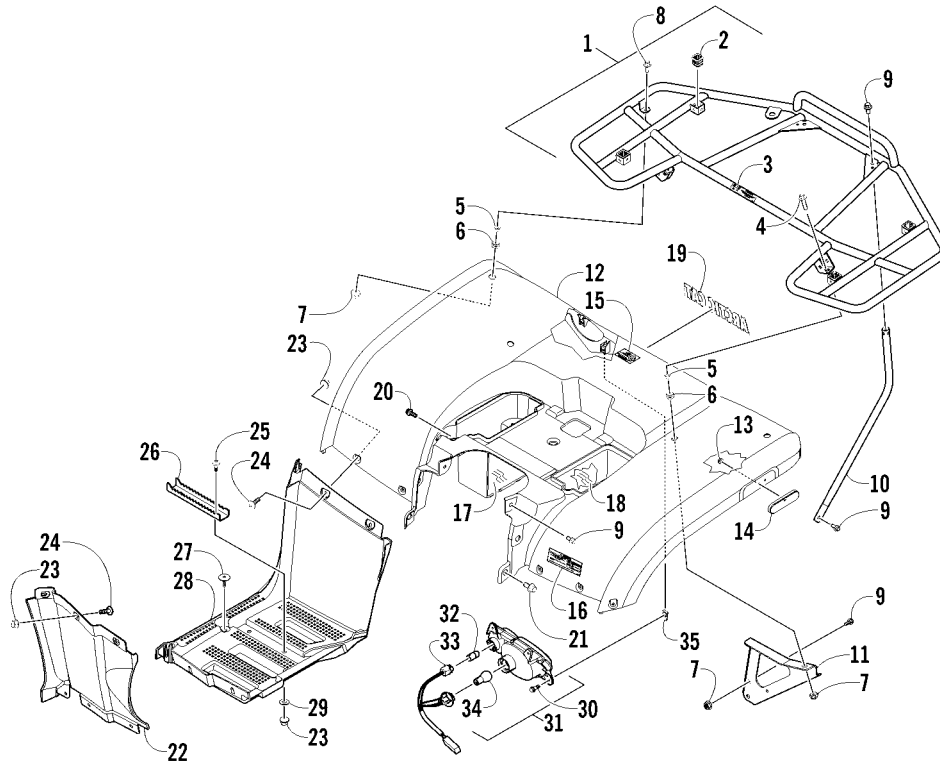
■ **NOTE:** The illustrations used in this Parts Manual are for reference to replacement part numbers only and are not to be used for assembly. For assembly procedures, use an Arctic Cat Service Manual. For a complete list of related items, refer to the current accessory catalog.



FRONT BODY, RACK, AND HEADLIGHT ASSEMBLY

0745-287

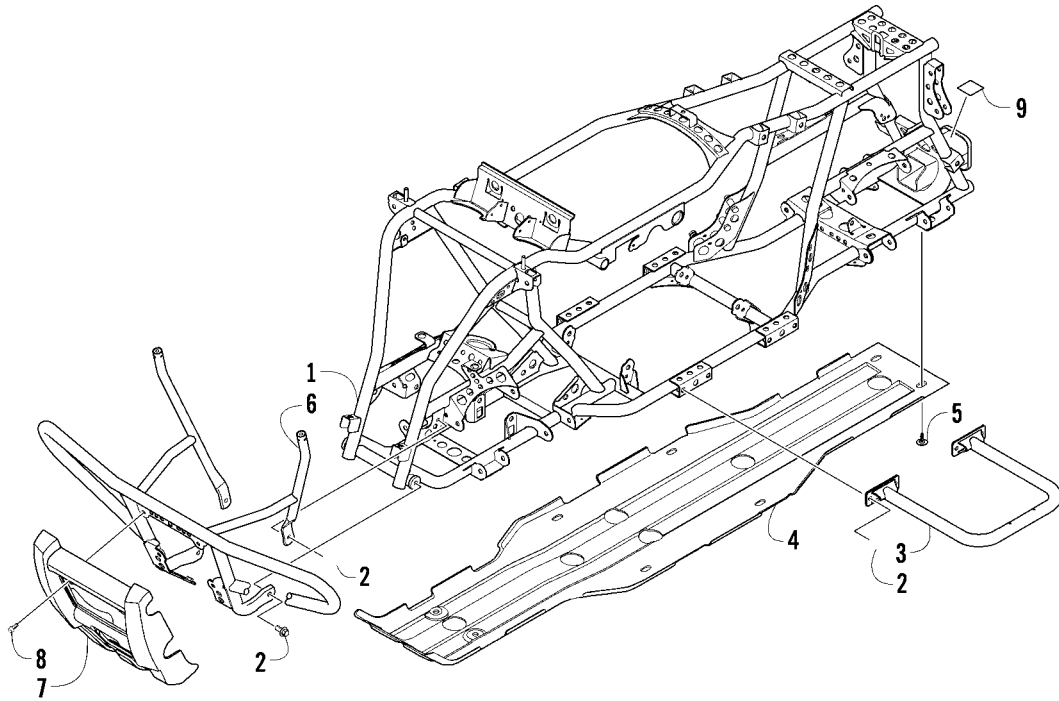
Ref	Part No.	New Qty	Description	Ref	Part No.	New Qty	Description
1	3313-372	1	Rack, Front - Assembly (inc. 2)	21	1411-574	1	● Decal, Warning - Off-Road Only
2	1411-681	1	● Decal, Warning - Load	22	1411-250	1	● Decal, Warning - Reverse/Pre-Ride
3	3313-713	2	Screw, Cap	23	1411-634	1	Decal, Side - Upper Right
4	0423-669	4	Spacer		1411-635	1	Decal, Side - Upper Left
5	0423-465	4	Grommet	24	3305-783	2	Screw, Cap
6	3304-668	4	Nut, Lock	25	3313-754	1	Shield, Linkage
7	3313-522	2	Screw, Cap	26	3304-650	3	Screw, Self-Tapping
8	3313-469	1	Tube, Mounting	27	3313-756	1	Panel, Splash - Right
9	0423-678	10	Grommet		3313-757	1	Panel, Splash - Left
10	3313-752	1	Panel, Side - Lower - Right	28	3303-592	2	Clip, Retaining
	3313-753	1	Panel, Side - Lower - Left	29	3313-516	1	Headlight - Assembly - Right (inc. 30-33)
11	3305-970	1	Cover, Gas Tank - Black		3313-517	1	Headlight - Assembly - Left (inc. 30-33)
12	3304-057	2	Rivet, Plastic	30	3313-173	2	● Socket, Headlight - Assembly
13	3313-751	1	Cover, Access - Electrical	31	3304-825	2	● Bulb
14	1411-691	1	Decal, Instrument Pod	32	3303-846	2	● Bulb, Headlight
15	3313-767	1	Panel, Fender - Front - Black (inc. 16-22)	33	3313-249	1	● Lens, Headlight - Assembly - Right
16	3304-774	2	● Nut, Lock		3313-495	1	● Lens, Headlight - Assembly - Left
17	3313-359	2	● Reflector	34	3304-061	8	Clip, U-Nut
18	0411-835	1	● Decal, Warning - Turn/Hill	35	3304-029	8	Screw, Cap
19	1411-804	1	● Decal, Warning - Age	36	3313-492	1	Bracket, Support - Headlight - Right
20	2411-169	1	● Decal, Warning - General		3313-493	1	Bracket, Support - Headlight - Left



REAR BODY, RACK, AND TAILLIGHT ASSEMBLY

0745-288

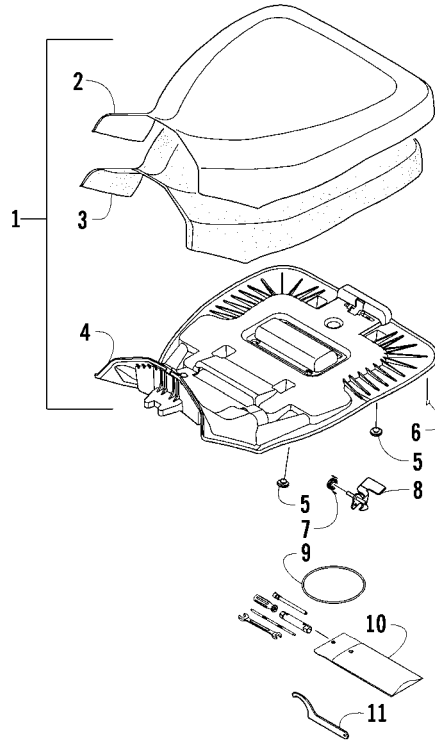
Ref	Part No.	New Qty	Description	Ref	Part No.	New Qty	Description
1	3313-373	1	Rack, Rear - Assembly (inc. 2-3)	20	3306-146	1	Screw, Cap
2	0441-592	4	● Bushing	21	3305-783	2	Screw, Cap
3	1411-682	1	● Decal, Warning - Load	22	3313-760	1	Footwell - Front - Right
4	8410-830	2	Screw, Cap		3313-761	1	Footwell - Front - Left
5	0423-669	4	Spacer	23	3304-431	22	Nut, Lock
6	0423-465	4	Grommet	24	3305-703	18	Screw, Machine
7	3304-668	8	Nut, Lock	25	3304-586	4	Screw, Shoulder
8	3313-522	2	Screw, Cap	26	1506-125	2	Footpeg
9	3304-543	8	Screw, Cap	27	0423-545	2	Screw, Shoulder
10	3313-449	2	Tube, Mounting	28	3313-762	1	Footwell - Rear - Right
11	3313-352	1	Bracket, Mounting - Rear Rack - Right		3313-763	1	Footwell - Rear - Left
	3313-353	1	Bracket, Mounting - Rear Rack - Left	29	3305-852	4	Washer
12	3313-768	1	Panel, Fender - Rear - Black (inc. 13-18)	30	3304-029	8	Screw, Cap
13	3304-774	2	● Nut, Lock	31	3313-382	1	Taillight Assembly - Right (inc. 32-34)
14	3313-360	2	● Reflector		3313-383	1	Taillight Assembly - Left (inc. 32-34)
15	1411-809	1	● Decal, Warning - Passenger	32	3304-825	2	● Bulb, Backup
16	1411-893	1	● Decal, Warning - Tire Pressure	33	3313-499	2	● Socket, Taillight - Assembly
17	3313-362	1	● Foil, Protective - Right	34	3303-849	2	● Bulb, Taillight
18	3313-363	1	● Foil, Protective - Left	35	3304-061	9	Clip, U-Nut
19	1411-725	1	Decal, Rear				



FRAME AND RELATED PARTS

0743-515

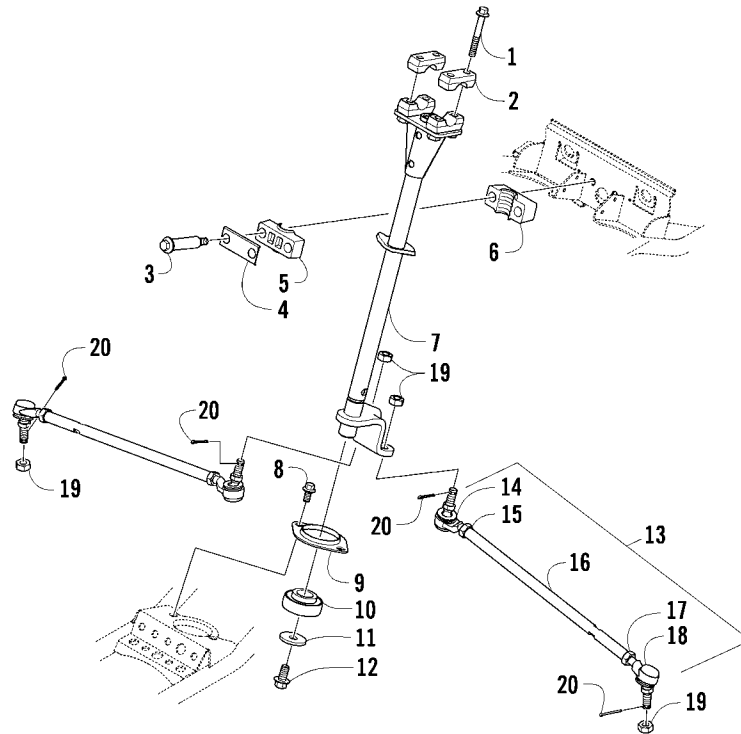
Ref	Part No.	New Qty	Description	Ref	Part No.	New Qty	Description
1	3313-727	1	Frame, Main	6	3313-357	1	Bumper - Front
2	3304-543	12	Screw, Cap	7	3313-758	1	Fascia, Bumper
3	3313-351	2	Footrest	8	3304-587	4	Screw, Cap
4	3313-755	1	Panel, Belly	9	1411-077	1	Decal, Warning - Towing
5	0423-545	10	Screw, Shoulder				



SEAT ASSEMBLY

0744-571

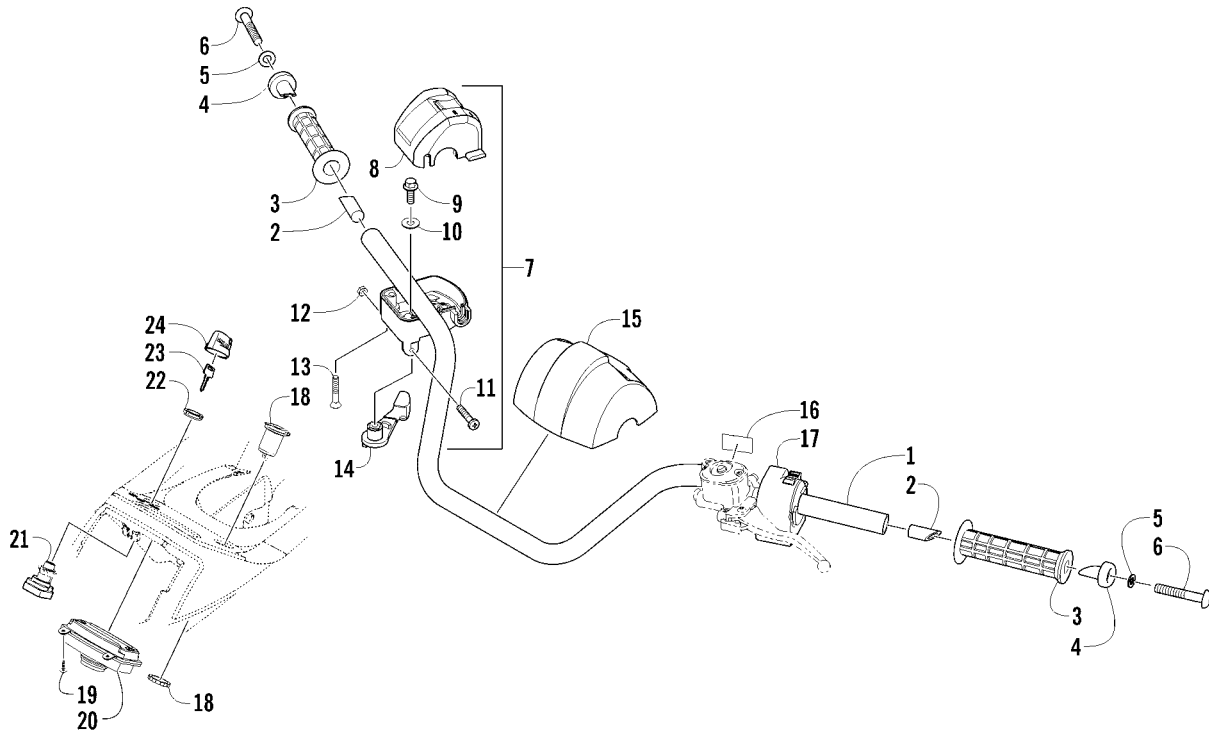
Ref	Part No.	New Qty	Description	Ref	Part No.	New Qty	Description
1	3313-199	1	Seat Assembly (inc. 2-8)	7	1406-592	1	● Spring, Seat Latch
2	-	1	● Cover, Seat - Not a Service Part	8	1506-156	1	● Latch, Seat
3	3313-198	1	● Foam, Seat	9	3313-759	1	Retainer, Tool Kit
4	3313-196	1	● Base, Seat	10	3305-913	1	Kit, Tool
5	0406-877	6	● Bumper, Seat	11	1441-797	1	Wrench, Spanner - Optional
6	0624-528	AR	● Staple				



STEERING ASSEMBLY

0744-174

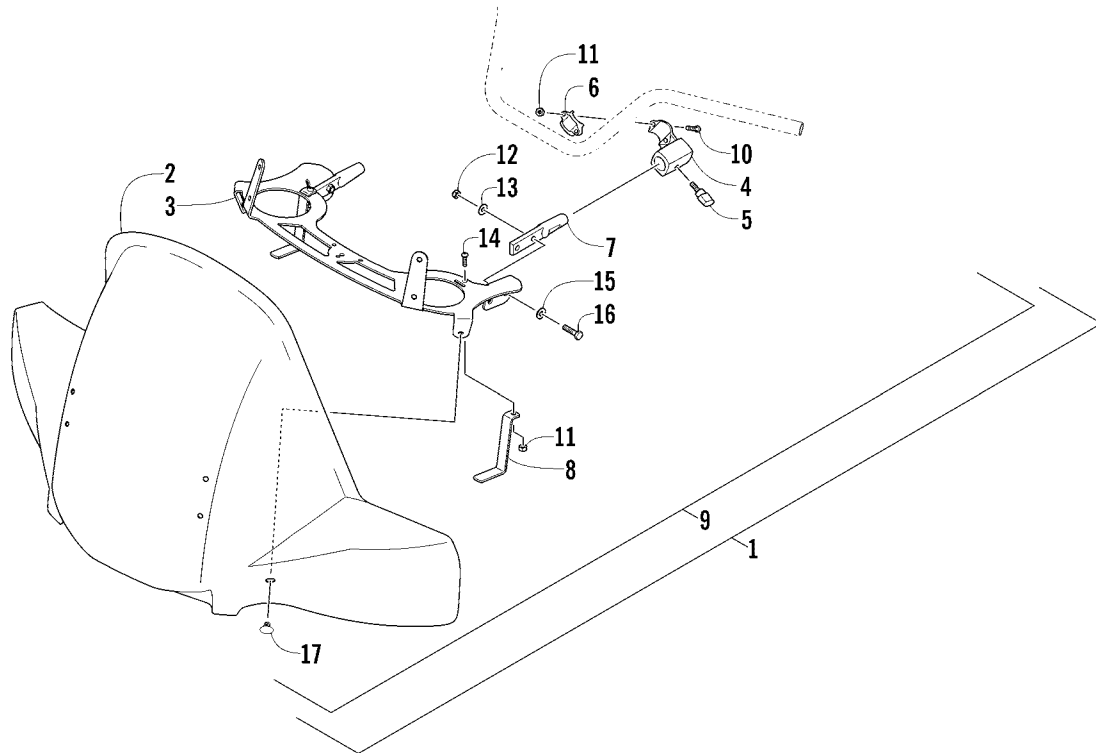
Ref	Part No.	New Qty	Description	Ref	Part No.	New Qty	Description
1	8408-860	4	Screw, Cap	11	0423-073	1	Washer
2	0405-035	2	Cap, Steering Adjuster	12	8408-820	1	Screw, Cap
3	0423-505	2	Screw, Shoulder	13	3313-102	2	Tie Rod - Assembly (inc. 14-18)
4	0405-166	1	Cap, Housing	14	3313-809	2	● End, Tie Rod - Left-Hand Thread
5	3323-052	1	Housing - Upper	15	3303-327	2	● Nut - Left-Hand Thread
6	3323-051	1	Housing - Lower	16	3313-807	2	● Tie Rod
7	3313-056	1	Post, Steering	17	3303-326	2	● Nut - Right-Hand Thread
8	3304-565	2	Screw, Cap	18	3313-808	2	● End, Tie Rod - Right-Hand Thread
9	0602-233	1	Flange, Bearing	19	0423-157	4	Nut, Lock
10	0405-052	1	Bearing w/Inverted Oil Seal	20	3303-621	4	Pin, Cotter



HANDLEBAR ASSEMBLY

0745-289

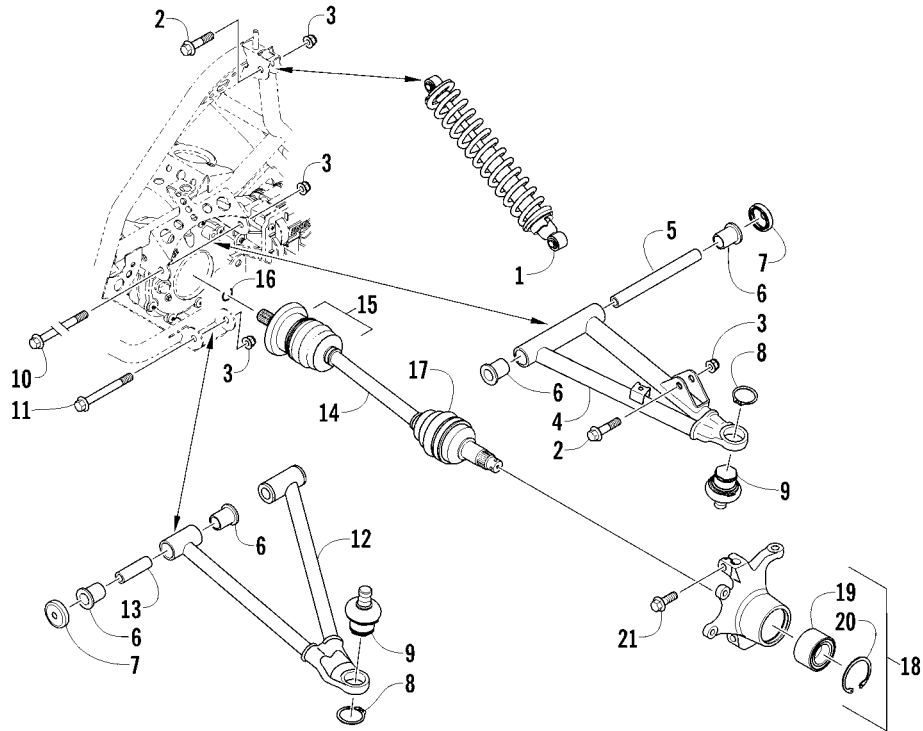
Ref	Part No.	New Qty	Description	Ref	Part No.	New Qty	Description
1	3313-059	1	Handlebar	13	3313-741	2	● Screw, Machine
2	0405-148	2	Plug, Handlebar	14	3313-842	X 1	● Lever
3	0405-147	2	Grip, Handlebar	15	3313-764	1	Cover, Post - Steering
4	0405-149	2	End Cap, Handlebar	16	1411-865	1	Decal, Brake Lever Lock
5	8050-247	2	Washer	17	3313-428	1	Switch, Control - Assembly
6	8477-845	2	Screw, Machine	18	3313-468	1	Outlet, Accessory - 12V
7	3313-429	1	Case, Throttle - Assembly (inc. 8-14)	19	3304-650	3	Screw, Self-Tapping
8	3313-742	1	● Cover, Throttle Case w/Switch	20	3313-435	1	Speedometer - Assembly
9	3305-344	1	● Screw, Cap	21	3313-439	1	Switch, Ignition - Assembly (inc. 22-24)
10	3313-739	1	● Washer	22	0430-050	1	● Nut, Flange - Ignition Switch
11	3313-740	1	● Screw, Machine	23	3409-007	1	● Key, Ignition - Blank - C Series
12	3305-832	1	● Nut	24	0430-054	1	● Cover, Key



WINDSHIELD ASSEMBLY

0745-718

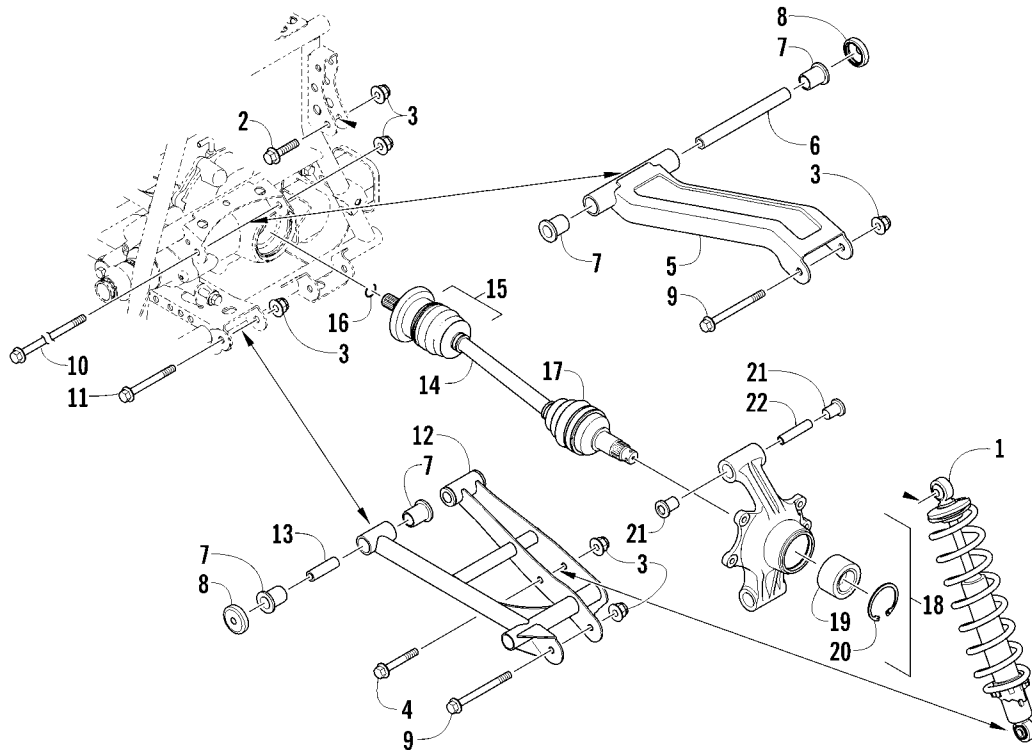
Ref	Part No.	New	Qty	Description	Ref	Part No.	New	Qty	Description
1	1436-551	X	1	Complete Windshield Assembly (inc. 2-17)	9	1436-560	X	1	● Kit, Hardware (inc. 10-17)
2	1441-803		1	● Windshield	10	8440-530		4	●● Screw, Cap
3	0541-589		1	● Bracket, Mounting - Windshield	11	8431-503		6	●● Nut, Lock
4	1436-554	X	2	● Bracket, Mounting - Support	12	8431-603		4	●● Nut, Lock
5	1441-624		2	● Knob, Adjuster	13	0423-768		4	●● Washer, Nylon
6	1402-338		2	● Clamp, Handlebar	14	8440-516		2	●● Screw, Cap
7	0541-590		1	● Pin, Mounting - Right	15	8050-218		4	●● Washer
	0541-591		1	● Pin, Mounting - Left	16	8404-625		4	●● Screw, Cap
8	0541-594		2	● Bracket, Support	17	1436-313		6	●● Clip, Retaining



FRONT SUSPENSION ASSEMBLY

0745-290

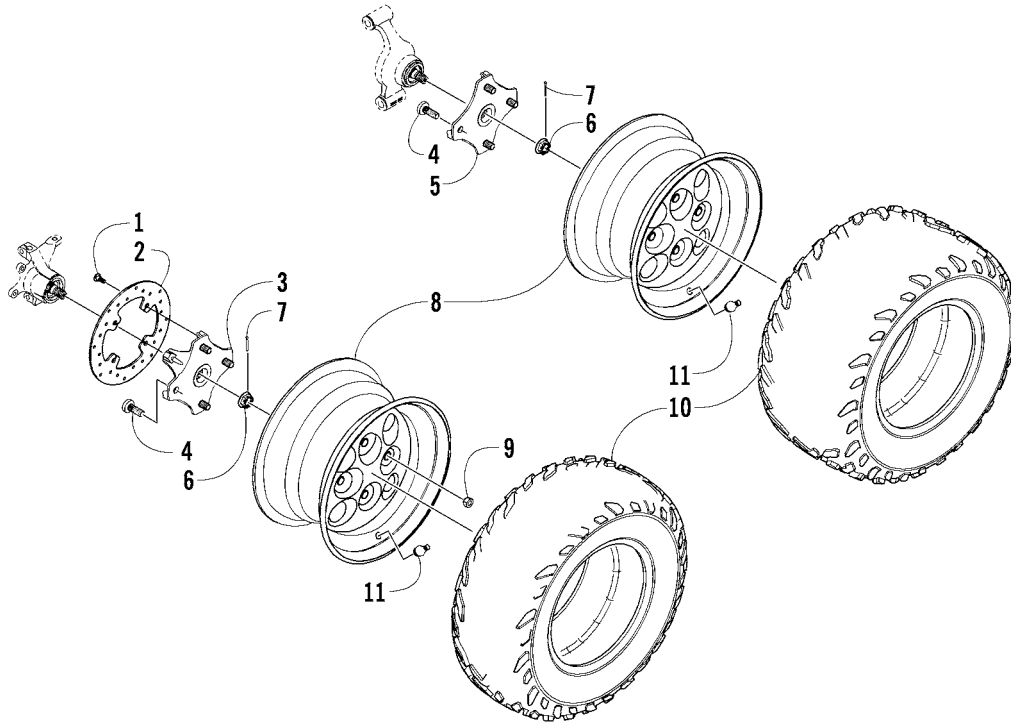
Ref	Part No.	New Qty	Description	Ref	Part No.	New Qty	Description
1	3313-330	2	Shock/Spring Assembly - Platinum	13	3313-107	4	● Axle
2	3303-376	4	Screw, Cap	14	3313-831	2	Axle, Drive - Front (inc. 15-17)
3	8428-002	10	Nut, Lock	15	3313-560	1	● Repair Kit, Boot - Drive Axle - Inbound (inc. 16)
4	3313-084	1	A-Arm, Upper Right - Platinum (inc. 5-9)	16	0423-844	2	●● Clip, Retaining
	3313-085	1	A-Arm, Upper Left - Platinum (inc. 5-9)	17	3313-558	1	●● Repair Kit, Boot - Drive Axle - Outbound
5	3313-111	2	● Axle	18	3323-130	1	Knuckle - Assembly - Right (inc. 19-20)
6	3313-112	12	● Bushing		3323-131	1	Knuckle - Assembly - Left (inc. 19-20)
7	3313-113	12	● Seal	19	1402-809	2	● Bearing
8	0423-009	4	● Ring, Retaining	20	0423-423	2	● Ring, Retaining
9	0405-115	4	● Ball Joint	21	3323-127	4	Screw, Cap
10	3313-430	2	Screw, Cap				
11	3304-183	4	Screw, Cap				
12	3313-080	1	A-Arm, Lower Right - Platinum (inc. 6-9 and 13)				
	3313-081	1	A-Arm, Lower Left - Platinum (inc. 6-9 and 13)				



REAR SUSPENSION ASSEMBLY

0745-291

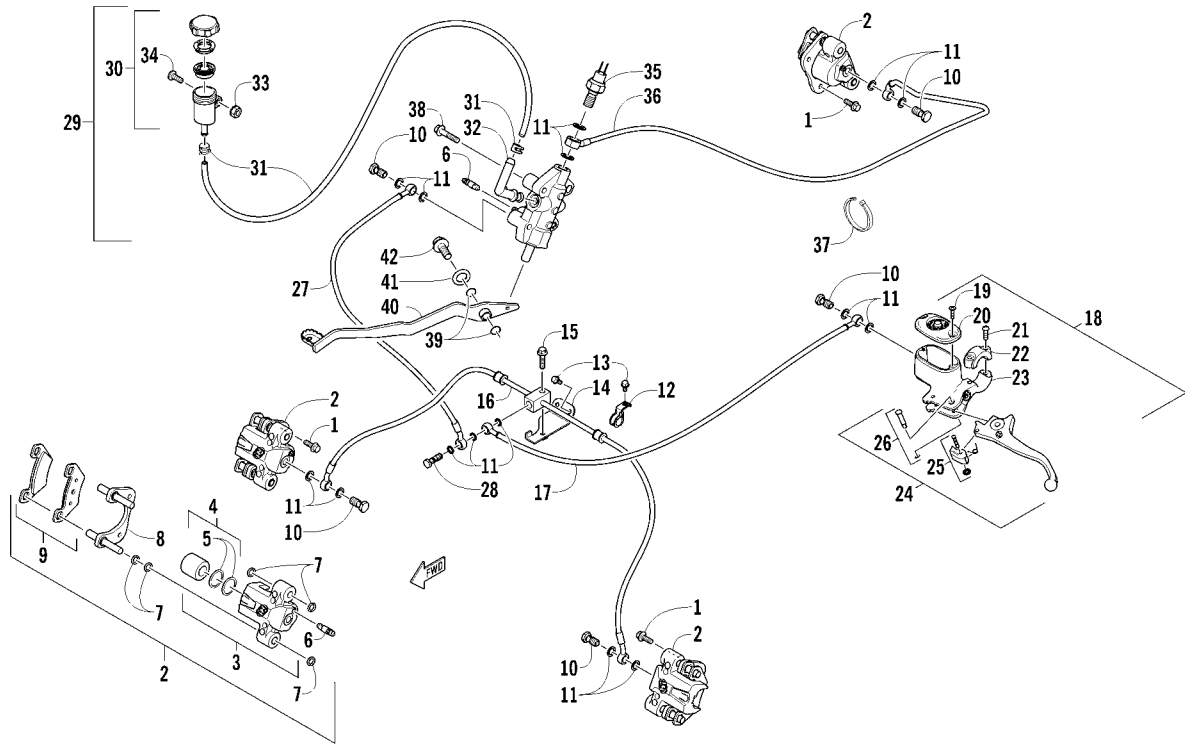
Ref	Part No.	New Qty	Description	Ref	Part No.	New Qty	Description
1	3313-541	2	Shock/Spring Assembly - Platinum	13	3313-107	4	● Axle
2	3303-376	2	Screw, Cap	14	3313-832	2	Axle, Drive (inc. 15-17)
3	3304-031	14	Nut, Lock	15	3313-560	1	● Repair Kit, Boot - Drive Axle - Inbound
4	8409-065	2	Screw, Cap	16	0423-845	2	●● Ring, Retaining
5	3313-823	1	A-Arm, Upper Right - Platinum (inc. 6-8)	17	3313-558	1	● Repair Kit, Boot - Drive Axle - Outbound
6	3313-824	1	A-Arm, Upper Left - Platinum (inc. 6-8)	18	3323-108	1	Knuckle - Assembly - Right (inc. 19-22)
7	3313-111	2	● Axle	19	3323-109	1	Knuckle - Assembly - Left (inc. 19-22)
8	3313-112	12	● Bushing	20	1402-809	2	● Bearing
9	3313-113	12	● Seal	21	0423-423	2	● Ring, Retaining
10	3323-188	4	Screw, Cap	22	0403-206	8	● Bushing
11	3313-430	2	Screw, Cap	22	0403-213	4	● Axle
12	3304-183	4	Screw, Cap				
12	3313-134	1	A-Arm, Lower Right - Platinum (inc. 7-8 and 13)				
	3313-135	1	A-Arm, Lower Left - Platinum (inc. 7-8 and 13)				



WHEEL AND TIRE ASSEMBLY

0742-948

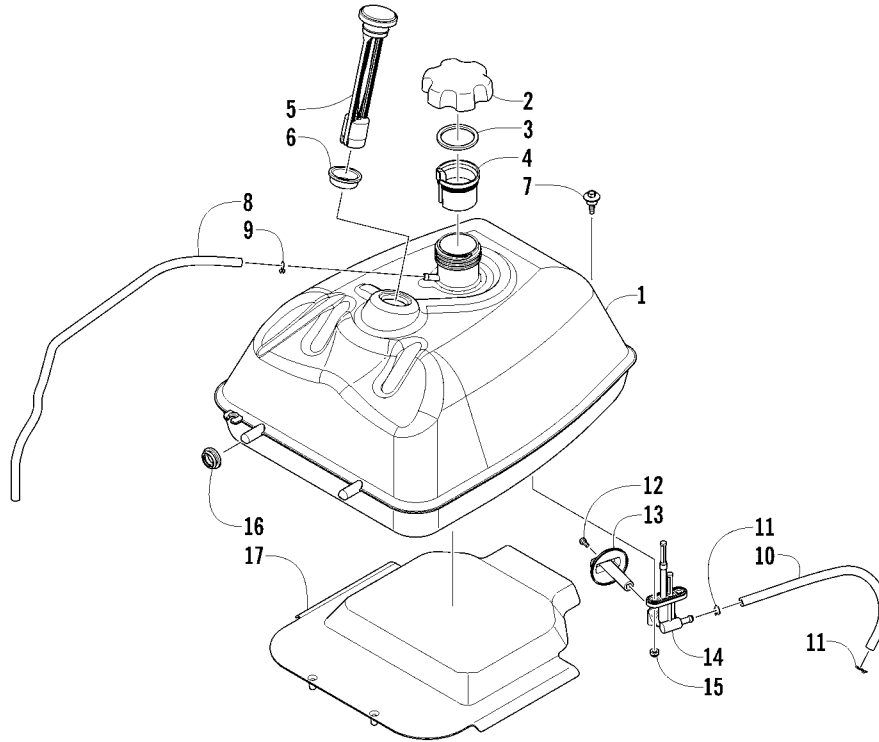
Ref	Part No.	New Qty	Description	Ref	Part No.	New Qty	Description
1	0423-557	12	Screw, Shoulder	7	0423-407	4	Pin, Cotter
2	1436-164	3	Disc, Brake	8	3313-307	4	Wheel - Platinum
3	1502-462	2	Hub, Wheel - Front (inc. 4)	9	0423-408	16	Nut, Lug
4	0402-974	16	● Stud	10	3313-311	2	Tire - Front
5	1502-462	1	Hub, Wheel - Right Rear (inc. 4)		3313-312	2	Tire - Rear
	1502-464	1	Hub, Wheel - Left Rear (inc. 4)	11	3303-887	4	Stem, Valve
6	0423-607	4	Nut, Castle				



HYDRAULIC BRAKE ASSEMBLY

0745-292

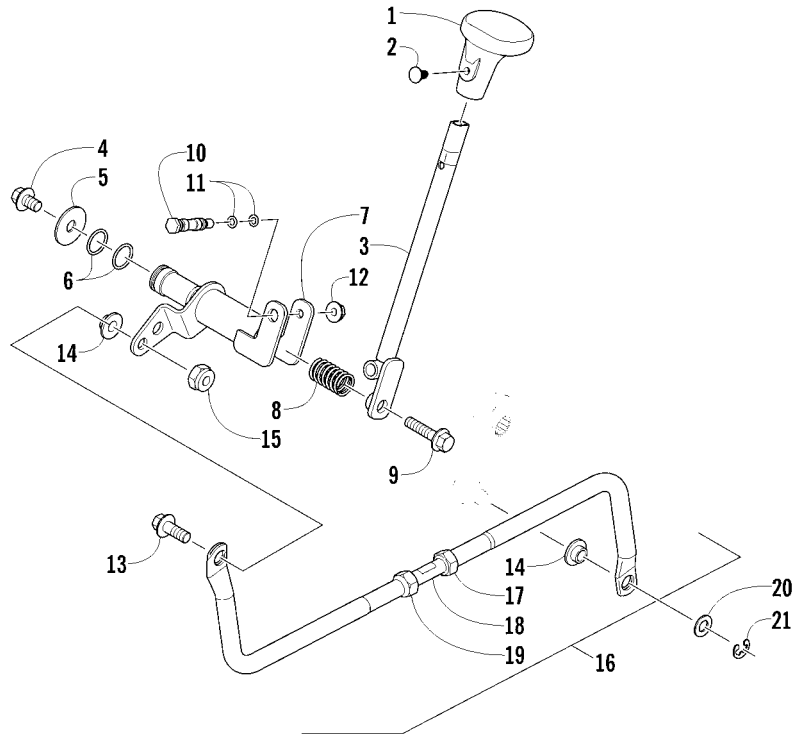
Ref	Part No.	New Qty	Description	Ref	Part No.	New Qty	Description
1	3305-785	6	Screw, Cap	19	0502-566	1	● Screw, Machine - Kit
2	3323-230	1	Caliper, Brake - Right Front (inc. 3-9)	20	0502-868	1	● Cover, Reservoir
	3323-231	1	Caliper, Brake - Left Front (inc. 3-9)	21	0502-568	1	● Screw, Machine - Kit
	3323-231	1	Caliper, Brake - Rear (inc. 3-9)	22	0502-869	1	● Clamp, Master Cylinder
3	1436-160	1	● Housing, Caliper - Assembly - Right Front (inc. 4-6)	23	0502-704	1	● Master Cylinder Assembly
	1436-161	1	● Housing, Caliper - Assembly - Left Front (inc. 4-6)	24	0502-866	1	● Lever Assembly - Kit (inc. 25-26)
	1436-161	1	● Housing, Caliper - Assembly - Rear (inc. 4-6)	25	0502-867	1	●● Lock, Brake Lever - Kit
4	0502-606	3	●● Piston/Seal Set (inc. 5)	26	0502-580	1	●● Lever Pin - Kit
5	0502-607	3	●●● Seal Set	27	3313-423	1	Hose, Brake
6	0502-609	4	●● Valve, Bleed	28	3304-674	1	Bolt, Banjo-Fitting - Double
7	0502-608	3	● O-Ring, Guide - Set	29	3313-478	1	Brake Assembly (inc. 30-32)
8	0502-605	3	● Bracket Assembly	30	1502-141	1	● Reservoir, Brake w/Clamp
9	1502-694	3	● Pad, Brake - Set	31	3313-489	1	● Hose, Brake Fluid Reservoir w/Clamps
10	3303-257	5	Bolt, Banjo-Fitting	32	1502-296	1	● Adapter, Hose
11	3303-284	15	Washer, Crush	33	3304-654	1	Nut, Lock
12	3303-919	2	Clamp, Brake Hose	34	3303-384	1	Screw, Cap
13	3304-553	3	Screw, Cap	35	3313-820	1	Switch, Brake
14	3313-523	1	Bracket, Mounting - Brake Hose Assembly	36	3313-315	1	Hose, Brake
15	3305-789	1	Screw, Cap	37	0123-788	AR	Tie, Cable - 8 in.
16	3313-750	1	Hose, Brake - Assembly	38	3303-386	2	Screw, Cap
17	3313-422	1	Hose, Brake	39	1602-213	2	O-Ring
18	3313-316	1	Brake Assembly (inc. 19-26)	40	3313-156	1	Lever, Brake
				41	8050-252	1	Washer
				42	3304-543	1	Screw, Cap



GAS TANK ASSEMBLY

0745-293

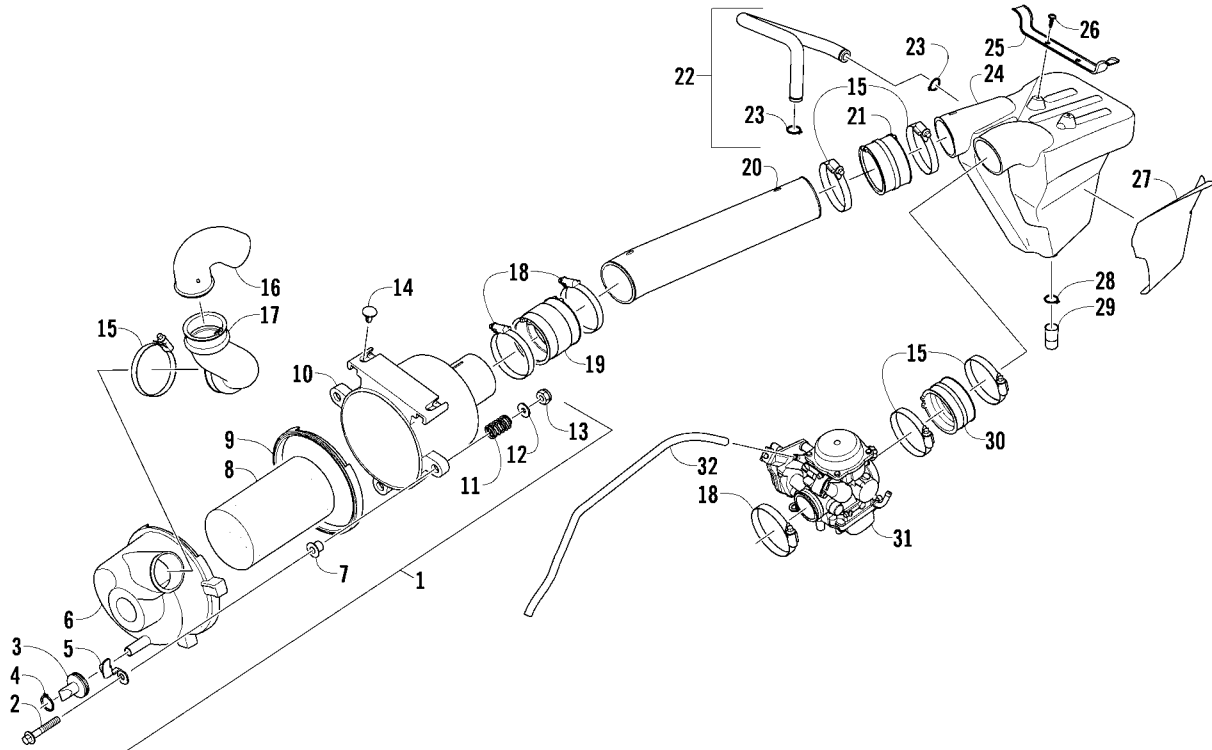
Ref	Part No.	New	Qty	Description	Ref	Part No.	New	Qty	Description
1	3313-284		1	Tank, Gas	10	3313-288		1	Hose, Gasline (inc. 11)
2	3323-094		1	Cap, Gas Tank (inc. 3)	11	3313-684		2	● Clamp, Hose
3	0109-733		1	● Gasket, Cap	12	0423-146		1	Screw, Machine
4	3313-328		1	Neck, Gas Tank Extension	13	3313-287		1	Knob, Gas Tank Valve
5	3313-324		1	Gauge, Gas - Assembly (inc. 6)	14	3313-325		1	Valve, Gas Tank
6	3323-092		1	● Seal, Gas Gauge	15	3304-431		2	Nut, Lock
7	0423-732		1	Screw, Shoulder	16	0423-460		2	Grommet
8	3313-322		1	Hose, Gasline (inc. 9)	17	3313-833	X	1	Shield, Heat
9	3303-349		1	● Clamp, Hose					



SHIFT LEVER ASSEMBLY

0745-717

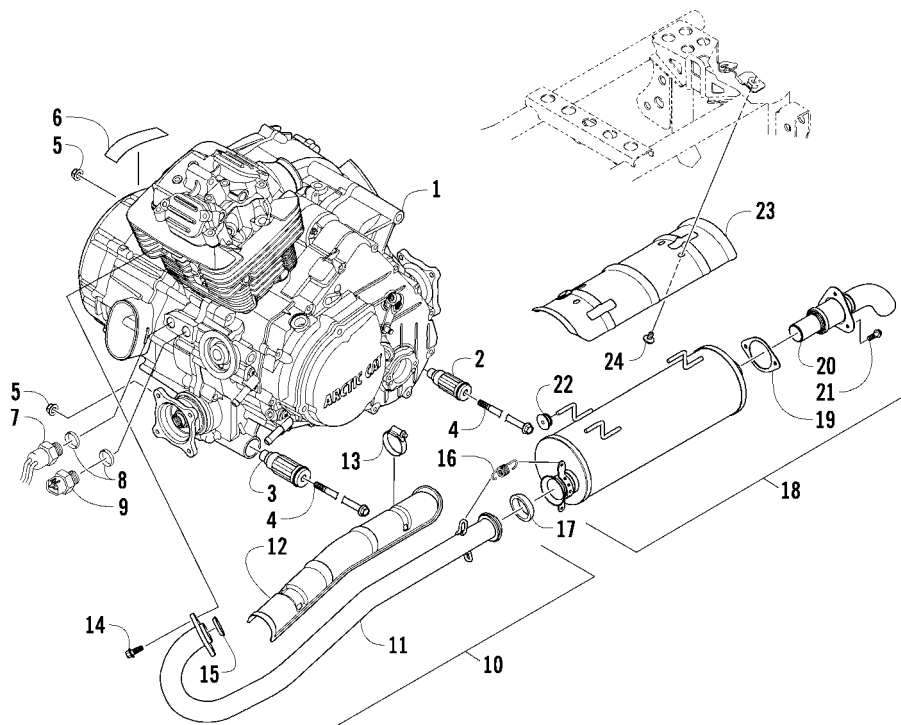
Ref	Part No.	New Qty	Description	Ref	Part No.	New Qty	Description
1	0402-843	1	Knob, Shift Lever	12	3304-654	1	Nut, Lock
2	0423-345	1	Clip, Retaining	13	3313-821	1	Screw, Cap
3	3313-317	1	Lever, Shift	14	3323-037	2	Bushing
4	3304-544	1	Screw, Cap	15	3304-668	1	Nut, Lock
5	0423-087	1	Washer	16	3313-054	1	Linkage, Shift - Assembly (inc. 17-19)
6	0423-299	2	O-Ring	17	3303-327	1	● Nut, Hex - Right-Hand Thread
7	3313-051	1	Actuator, Shift	18	3313-278	1	● Adjuster, Shift Linkage
8	0402-678	1	Spring, Shift Lever	19	3313-822	1	● Nut, Hex - Left-Hand Thread
9	3304-551	1	Screw, Cap	20	3304-138	1	Washer
10	0402-675	1	Axle, Pivot	21	3313-766	1	E-Ring
11	0423-182	2	O-Ring				



AIR INTAKE ASSEMBLY

0744-337

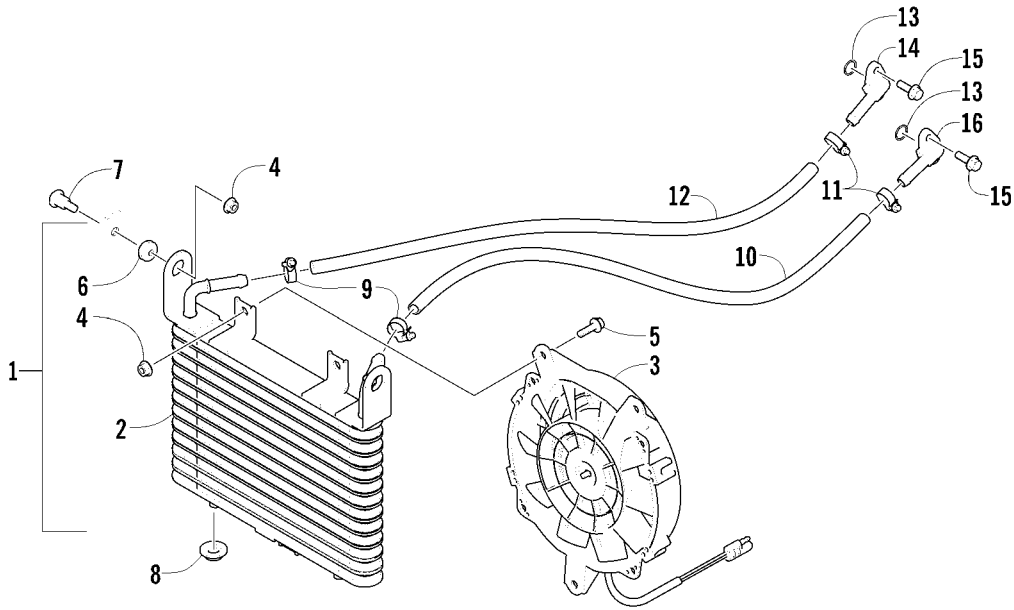
Ref	Part No.	New Qty	Description	Ref	Part No.	New Qty	Description
1	3313-395	1	Filter, Air - Assembly (inc. 2-13)	17	3313-367	1	Boot, Air Intake - Bottom
2	8408-850	3	● Screw, Cap	18	3313-817	3	Clamp
3	0470-442	1	● Valve, Drain	19	3313-275	1	Boot, Air Intake
4	3313-705	1	● Clamp	20	3313-063	1	Boot, Air Intake
5	3313-375	3	● Latch	21	3313-274	1	Boot, Air Intake
6	3313-376	1	● Cover, Air Filter	22	3313-397	1	Hose, Oil Catch (inc. 23)
7	0423-669	3	● Spacer	23	3304-167	2	● Clamp, Hose
8	3313-378	1	● Element, Air Filter	24	3313-224	1	Housing, Air Intake
9	3313-446	1	● Gasket, Air Filter	25	3313-356	1	Bracket, Mounting - Air Intake Housing
10	3313-377	1	● Housing, Air Filter	26	3304-409	2	Screw, Self-Tapping
11	0402-678	3	● Spring	27	3313-362	1	Foil, Protective
12	8050-222	3	● Washer	28	3313-706	1	Clamp
13	3303-269	3	● Nut, Lock	29	3313-543	1	Pipe, Drain
14	3305-448	2	Clip, Retaining	30	3313-551	1	Boot, Air Intake - Carburetor
15	0423-380	5	Clamp	31	0470-737	1	Carburetor, CVK34
16	3313-366	1	Boot, Air Intake - Top	32	3313-476	1	Hose, Vent



ENGINE AND EXHAUST

0744-224

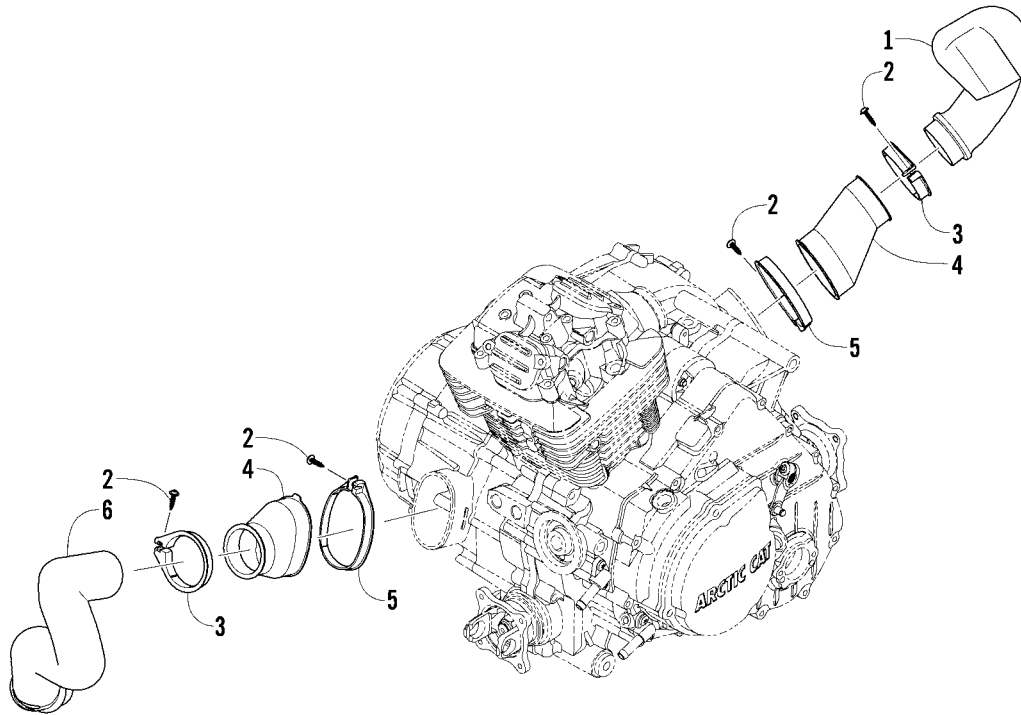
Ref	Part No.	New Qty	Description	Ref	Part No.	New Qty	Description
1	3313-400	1	Engine (inc. 2-3)	13	0423-317	2	● Clamp
2	0801-092	3	● Mount, Rubber - Engine	14	3304-565	2	Screw, Cap
3	0801-144	1	● Mount, Rubber - Engine	15	0412-007	1	Gasket, Exhaust Pipe
4	3323-174	2	Screw, Cap	16	0612-668	2	Spring, Extension
5	3304-031	2	Nut, Lock	17	0612-188	1	Seal, Exhaust
6	0411-426	1	Decal, Warning - Clutch Cover	18	3313-640	1	Muffler - Assembly (inc. 19-21)
7	3313-432	1	Switch, Temperature - Fan	19	3313-708	1	● Gasket, Spark Arrester
8	0830-180	2	O-Ring	20	3313-707	1	● Arrester, Spark - Assembly
9	3313-431	1	Switch, Temperature - Light	21	3304-438	3	● Screw, Cap
10	3313-364	1	Pipe, Exhaust - Assembly (inc. 11-13)	22	3313-264	3	Bushing
11	3313-024	1	● Pipe, Exhaust	23	3313-026	1	Cover, Muffler
12	3313-025	1	● Shield, Exhaust	24	3313-711	3	Screw, Machine



OIL COOLER ASSEMBLY

0745-294

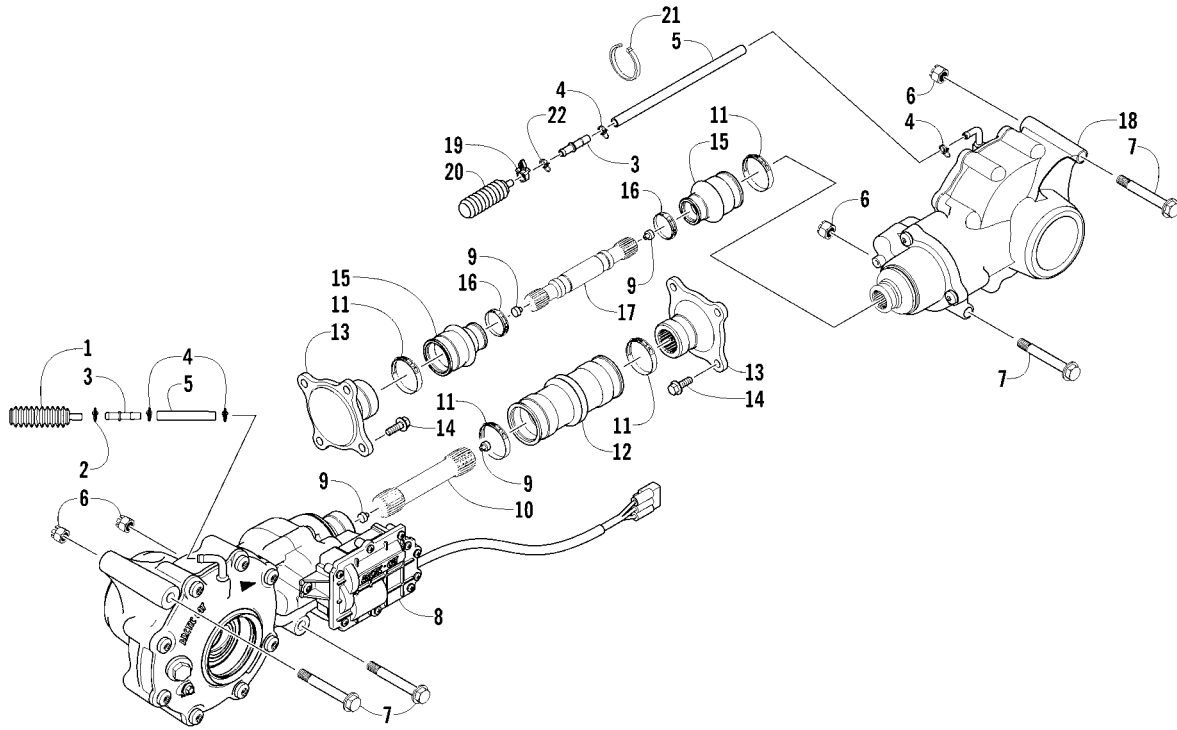
Ref	Part No.	New Qty	Description	Ref	Part No.	New Qty	Description
1	3323-202	1	Cooler, Oil - Assembly (inc. 2-3, three No. 4, and 5-6)	9	0423-098	2	Clamp, Hose
2	3323-203	1	● Cooler, Oil	10	0410-044	1	Hose, Oil
3	3323-204	1	● Fan, Cooling	11	3313-772	2	Clamp, Hose
4	3304-654	5	● Nut, Lock	12	3313-771	1	Hose, Oil
5	3304-587	3	● Screw, Cap	13	0830-172	2	O-Ring
6	0423-030	2	● Grommet	14	0812-060	1	Fitting, Oil
7	3313-166	2	Screw, Shoulder	15	3303-617	4	Screw, Cap
8	0423-028	2	Bushing, Stem	16	0812-059	1	Fitting, Oil



CASE/BELT COOLING ASSEMBLY

0743-005

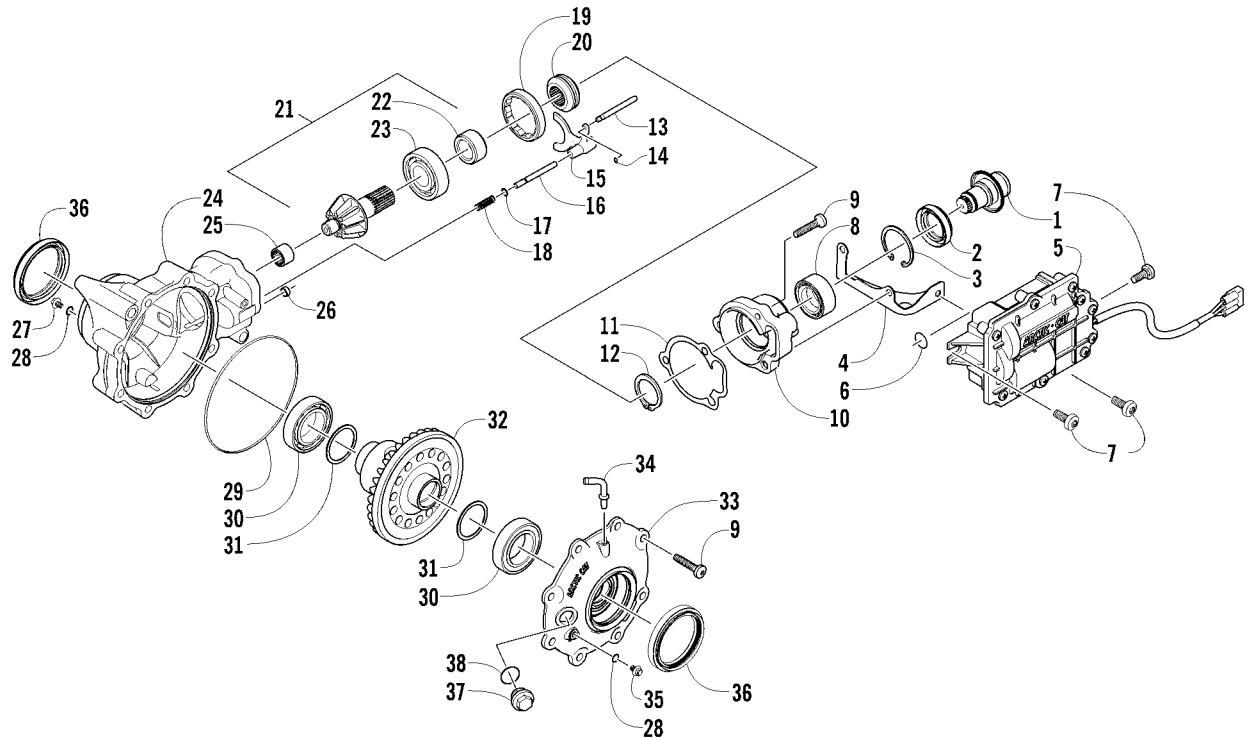
Ref	Part No.	New Qty	Description	Ref	Part No.	New Qty	Description
1	3313-064	1	Duct, Belt - Air Out	4	3313-782	2	Boot, Duct
2	0423-342	4	Screw, Self-Tapping	5	3323-033	2	Clamp, Plastic
3	3323-034	2	Clamp, Plastic	6	3313-065	1	Duct, Belt - Air In



DRIVE TRAIN ASSEMBLY

0745-295

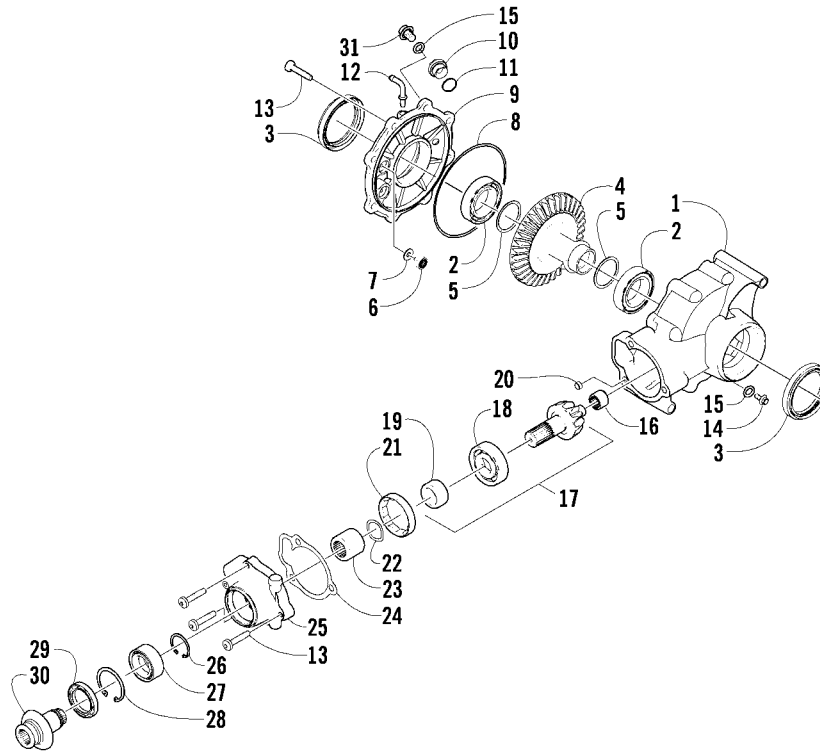
Ref	Part No.	New Qty	Description	Ref	Part No.	New Qty	Description
1	3313-796	1	Bladder, Gearcase	12	3313-825	1	Boot, Coupler
2	3323-149	1	Clamp, Hose	13	3313-774	2	Flange, Output
3	3323-150	2	Fitting, Vent	14	3304-565	8	Screw, Cap
4	3313-684	4	Clamp, Hose	15	0402-985	2	Boot
5	0410-048	AR	Hose, Vent	16	3313-777	2	Clamp
6	3304-031	4	Nut, Lock	17	3313-773	1	Shaft, Propeller
7	3305-787	4	Screw, Cap	18	3306-023	1	Gearcase, Rear
8	3313-787	1	Gearcase, Front	19	3323-152	1	Clip, Routing
9	3313-783	4	Bumper, Propeller Shaft	20	3304-170	1	Bladder, Gearcase
10	3313-784	1	Shaft, Propeller	21	0123-788	AR	Tie, Cable - 8 in.
11	3313-776	4	Clamp	22	3303-349	1	Clamp, Hose



FRONT DRIVE GEARCASE ASSEMBLY

0745-296

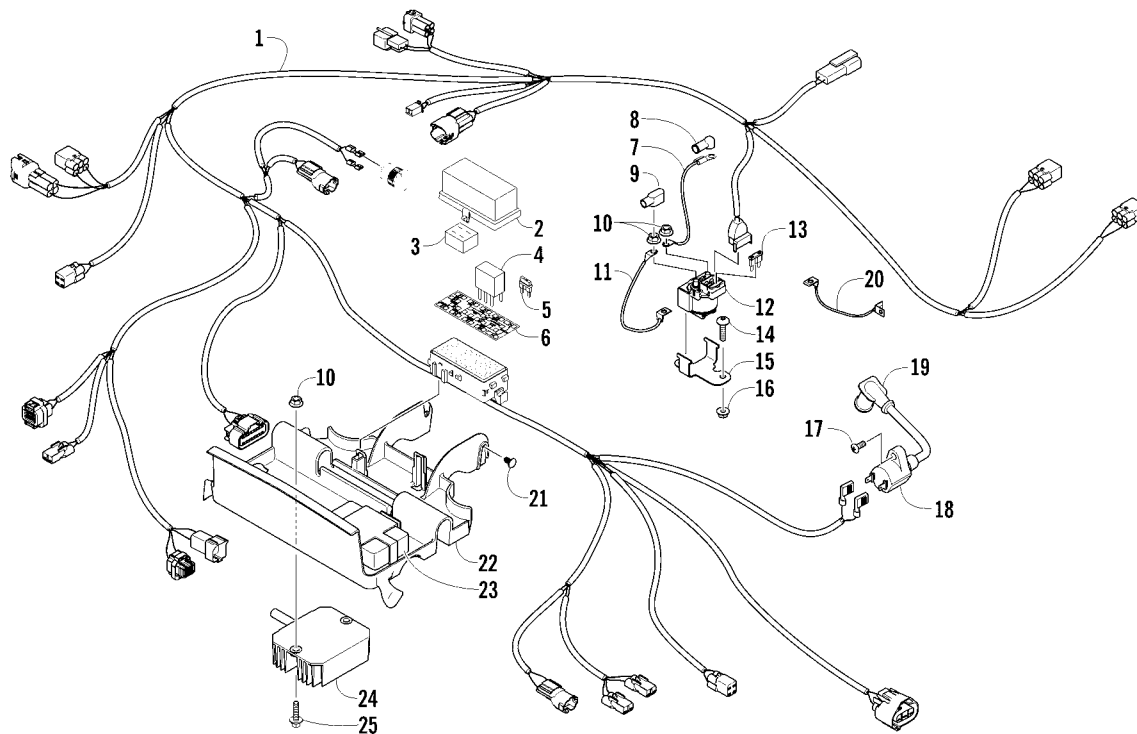
Ref	Part No.	New Qty	Description	Ref	Part No.	New Qty	Description
-	3313-787	1	Complete Front Drive Gearcase Assembly	22	0402-336	1	● Collar, Retaining
1	3306-047	1	Shaft, Input	23	3306-040	1	● Bearing
2	3323-239	1	Seal	24	3313-793	1	Housing, Gearcase
3	3306-046	1	Ring, Retaining	25	3306-038	1	Bearing
4	3323-241	1	Bracket, Actuator	26	3306-048	1	Pin, Dowel
5	3313-786	1	Actuator	27	3306-027	1	Plug, Magnetic (inc. one No. 28)
6	3313-792	1	O-Ring	28	0423-153	2	● O-Ring
7	3313-797	3	Screw, Self-Tapping	29	3306-030	1	O-Ring
8	3323-240	1	Bearing	30	3306-026	2	Bearing
9	3303-615	11	Screw, Self-Tapping	31	3306-132	X	AR Shim, 41 x 49 x 1.0 mm
10	3323-238	1	Housing, Pinion		3306-133	X	AR Shim, 41 x 49 x 1.1 mm
11	3323-234	1	Gasket, Flange		3306-134	X	AR Shim, 41 x 49 x 1.2 mm
12	3306-045	1	Ring, Retaining		3306-135	X	AR Shim, 41 x 49 x 1.3 mm
13	3323-235	1	Shaft, Selector		3306-136	X	AR Shim, 41 x 49 x 1.4 mm
14	3313-791	1	Ring, Retaining		3306-137	X	AR Shim, 41 x 49 x 1.5 mm
15	3323-236	1	Fork, Selector		3306-138	X	AR Shim, 41 x 49 x 1.6 mm
16	3323-233	1	Shaft, Shuttle		3306-139	X	AR Shim, 41 x 49 x 1.7 mm
17	3313-790	1	O-Ring	32	3313-794	1	Gear, Ring - 34T
18	3313-789	1	Spring, Return	33	3313-795	1	Cover, Gearcase
19	3313-788	1	Collar, Lock	34	3306-034	1	Fitting, 90°
20	3323-232	1	Coupler, Drive	35	3306-036	1	Plug, Oil Level (inc. one No. 28)
21	3306-039	1	Gear, Pinion - Assembly - 11T (inc. 22-23)	36	3306-025	2	Seal
				37	3306-035	1	Plug, Fill (inc. 38)
				38	0423-154	1	● O-Ring



REAR DRIVE GEARCASE ASSEMBLY

0741-524

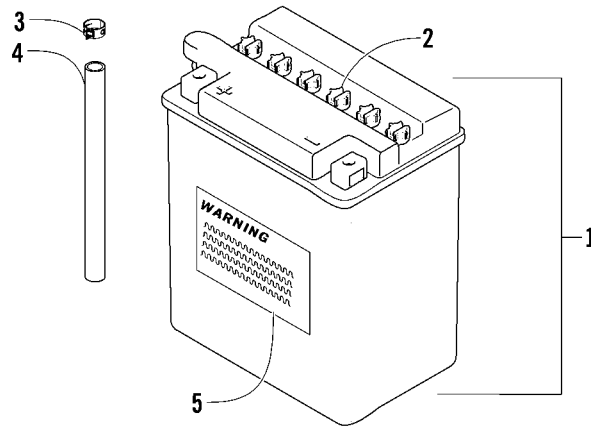
Ref	Part No.	New	Qty	Description	Ref	Part No.	New	Qty	Description
-	3306-023		1	Complete Rear Drive Gearcase Assembly	9	3306-033		1	Cover, Gearcase
1	3306-024		1	Housing, Gearcase	10	3306-035		1	Plug, Fill (inc. 11)
2	3306-026		2	Bearing	11	0423-154		1	● O-Ring
3	3306-025		2	Seal	12	3306-034		1	Fitting, 90°
4	3306-029		1	Gear, Ring - 34T	13	3303-615		11	Screw, Self-Tapping
5	3306-132	X	AR	Shim, 41 x 49 x 1.0 mm	14	3306-027		1	Plug, Magnetic (inc. one No. 15)
	3306-133	X	AR	Shim, 41 x 49 x 1.1 mm	15	0423-153		2	● O-Ring
	3306-134	X	AR	Shim, 41 x 49 x 1.2 mm	16	3306-038		1	Bearing
	3306-135	X	AR	Shim, 41 x 49 x 1.3 mm	17	3306-039		1	Gear, Pinion - Assembly - 11T (inc. 18-19)
	3306-136	X	AR	Shim, 41 x 49 x 1.4 mm	18	3306-040		1	● Bearing
	3306-137	X	AR	Shim, 41 x 49 x 1.5 mm	19	0402-336		1	● Collar, Retaining
	3306-138	X	AR	Shim, 41 x 49 x 1.6 mm	20	3306-048		1	Pin, Dowel
	3306-139	X	AR	Shim, 41 x 49 x 1.7 mm	21	3306-042		1	Collar, Lock
6	3306-031		1	Button, Thrust	22	3306-043		1	Washer, Wave
7	3306-124	X	AR	Shim, 6.3 x 18 x 1.0 mm	23	3306-044		1	Collar, Shaft
	3306-125	X	AR	Shim, 6.3 x 18 x 1.1 mm	24	3323-234		1	Gasket, Flange
	3306-126	X	AR	Shim, 6.3 x 18 x 1.2 mm	25	3306-049		1	Housing, Pinion
	3306-127	X	AR	Shim, 6.3 x 18 x 1.3 mm	26	3306-045		1	Ring, Retaining
	3306-128	X	AR	Shim, 6.3 x 18 x 1.4 mm	27	3323-240		1	Bearing
	3306-129	X	AR	Shim, 6.3 x 18 x 1.5 mm	28	3306-046		1	Ring, Retaining
	3306-130	X	AR	Shim, 6.3 x 18 x 1.6 mm	29	3323-239		1	Seal
	3306-131	X	AR	Shim, 6.3 x 18 x 1.7 mm	30	3306-047		1	Shaft, Input
8	3306-030		1	O-Ring	31	3306-036		1	Plug, Oil Level (inc. one No. 15)



WIRING HARNESS ASSEMBLY

0745-297

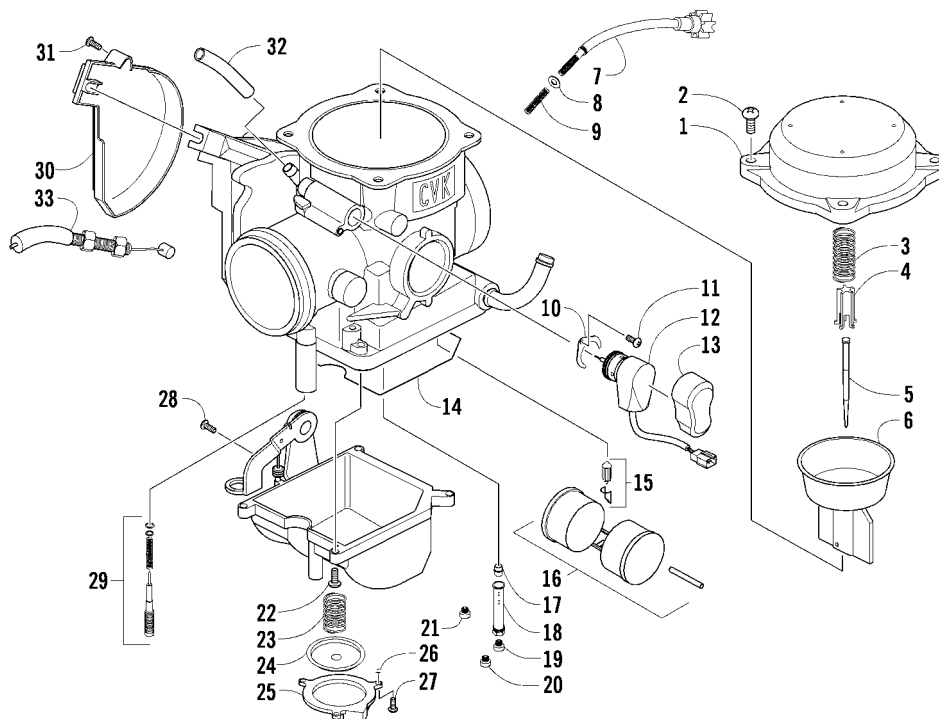
Ref	Part No.	New Qty	Description	Ref	Part No.	New Qty	Description
1	3313-437	1	Harness, Main (inc. 2-6)	13	0630-098	1	● Fuse - 30 Amp
2	0530-008	1	● Cover, Fuse Block	14	3305-703	2	Screw, Machine
3	0430-037	1	● Holder, Fuse	15	3313-467	1	Bracket, Mounting - Solenoid
4	0430-033	3	● Relay (5-Pin) - 10 Amp	16	3304-431	2	Nut
5	0430-032	4	● Fuse - 10 Amp	17	3303-252	1	Screw, Machine
	0430-031	3	● Fuse - 15 Amp	18	3323-216	1	Coil, Ignition - Assembly (inc. 19)
	0430-030	2	● Fuse - 30 Amp	19	3313-695	1	● Cap, Spark Plug
6	0411-837	1	● Decal, Fuse Block	20	3313-525	1	Cable, Battery/Ground
7	3313-527	1	Cable, Solenoid/Starter (inc. 8)	21	0423-345	2	Clip, Retaining
8	-	1	● Boot, Terminal - Not a Service Part	22	3313-273	1	Tray, Electrical
9	0645-327	1	Boot, Terminal	23	3313-436	1	CDI Unit
10	3304-654	4	Nut, Lock	24	3323-208	1	Regulator, Voltage
11	3313-526	1	Cable, Battery/Solenoid	25	3305-344	2	Screw, Cap
12	3313-464	1	Solenoid (inc. 13)				



BATTERY ASSEMBLY

0743-045

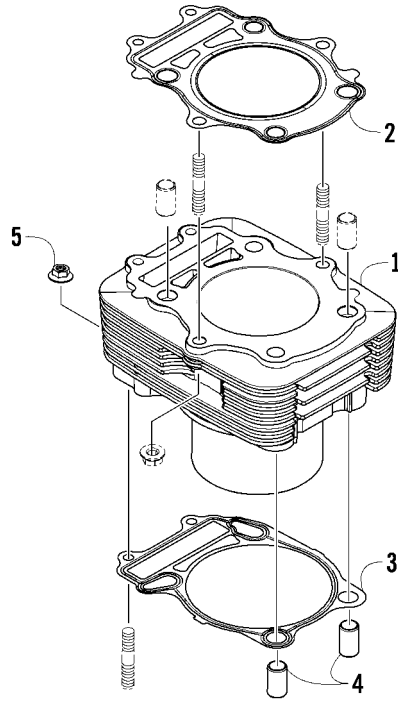
Ref	Part No.	New Qty	Description	Ref	Part No.	New Qty	Description
1	0745-045	1	Battery Assembly (inc. 2-5)	4	0645-263	1	● Hose, Vent
2	0645-045	6	● Cap	5	0645-151	1	● Decal, Warning
3	0645-152	1	● Clamp, Hose				



CARBURETOR

0744-227

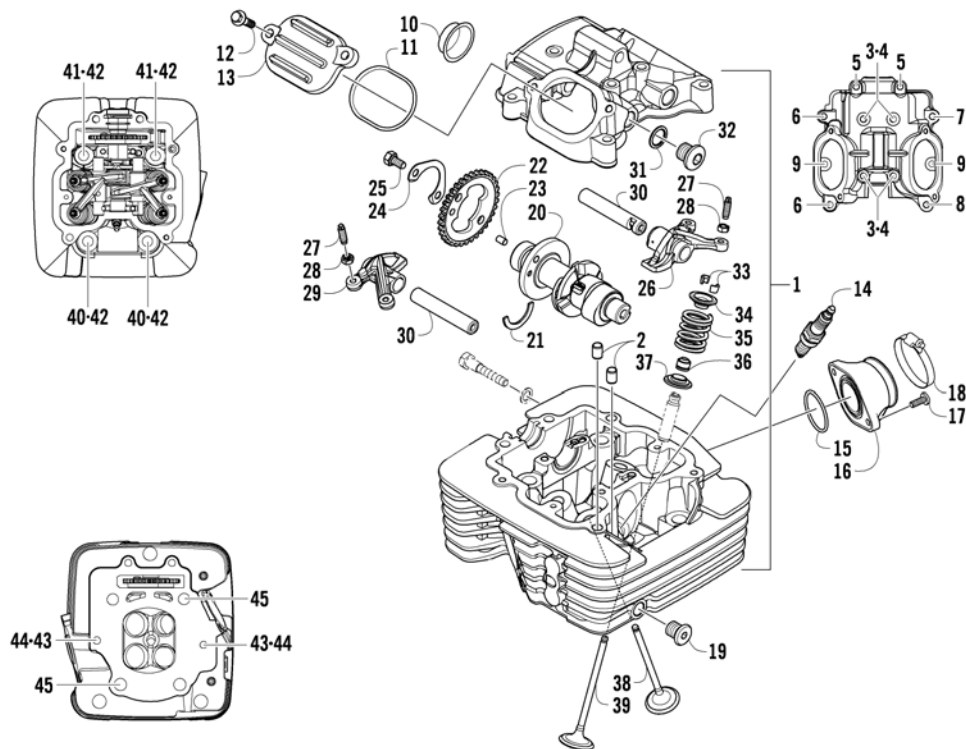
Ref	Part No.	New Qty	Description	Ref	Part No.	New Qty	Description
-	0470-737	1	Complete Carburetor Assembly	19	3305-434	1	Main Jet - 112
1	5507-001	1	Cover, Top		5507-242	1	Main Jet - 108 - Optional
2	5507-002	4	Screw, Machine		5507-166	1	Main Jet - 110 - Optional
3	5507-240	1	Spring		5507-126	1	Main Jet - 115 - Optional
4	5507-005	1	Seat, Spring		5507-241	1	Main Jet - 118 - Optional
5	5507-243	1	Jet Needle	20	5507-097	1	Starter Jet - 75
6	5507-004	1	Piston, Vacuum	21	5507-246	1	Slow Jet - 38
7	5507-027	1	Screw, Idle Adjust	22	5507-017	4	Screw, Machine
8	5507-028	1	Washer	23	5507-032	1	Spring
9	5507-029	1	Spring	24	5507-182	1	Diaphragm Assembly
10	5507-115	1	Plate	25	5507-198	1	Housing, Pump
11	5507-117	1	Screw, Machine	26	5507-034	1	U-Ring
12	5507-180	1	Choke, Electric	27	5507-035	3	Screw, Machine
13	5507-114	1	Cover, Electric Choke	28	5507-050	1	Screw, Drain
14	5507-067	1	O-Ring, Float Chamber	29	5507-111	1	Screw, Pilot - Set
15	5507-107	1	Valve, Float - Set	30	5507-036	1	Cover
16	5507-039	1	Float Set	31	5507-037	1	Screw, Machine
17	5507-007	1	Needle Jet	32	0410-048	AR	Hose, Vent - 25 ft
18	5507-047	1	Holder, Needle Jet	33	0487-049	1	Cable, Throttle



CYLINDER ASSEMBLY

0744-250

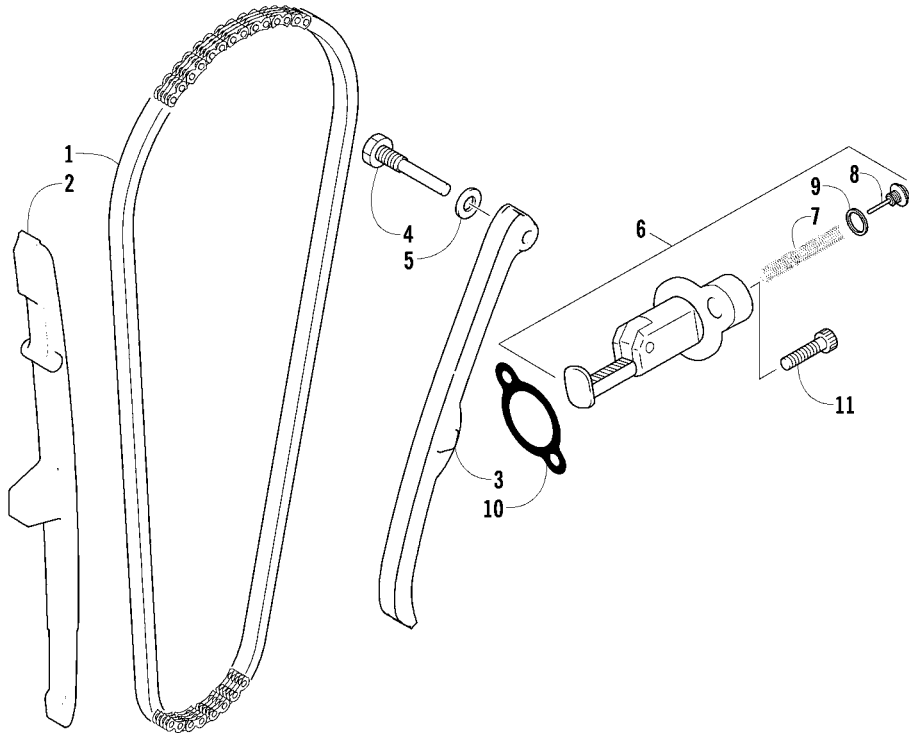
Ref	Part No.	New Qty	Description	Ref	Part No.	New Qty	Description
1	0804-042	1	Cylinder	4	0829-046	2	Pin, Dowel
2	0830-050	1	Gasket, Cylinder Head	5	3304-654	2	Nut, Lock
3	0830-053	1	Gasket, Cylinder				



CYLINDER HEAD AND CAMSHAFT/VALVE ASSEMBLY

0744-248

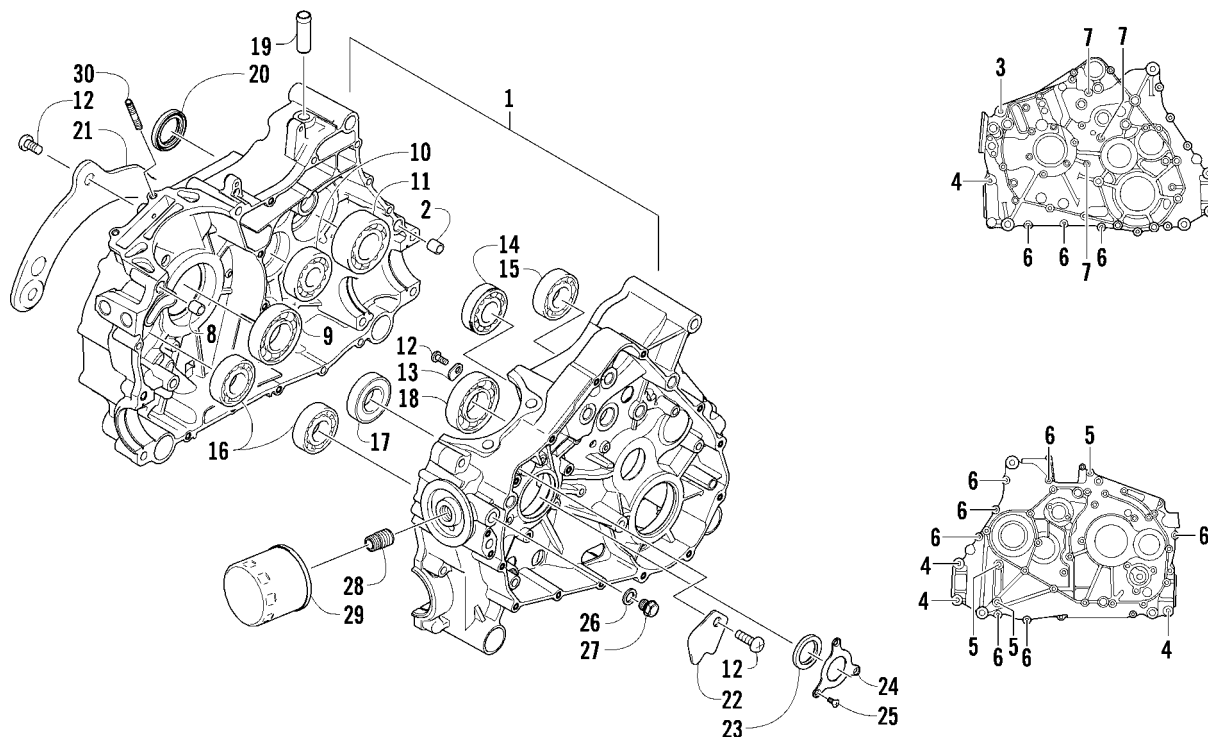
Ref	Part No.	New Qty	Description	Ref	Part No.	New Qty	Description
1	0808-012	1	Head, Cylinder (inc. 2)	24	0828-086	1	Plate, Retainer
2	3303-341	2	● Pin, Dowel	25	0826-154	2	Screw, Cap
3	0826-115	4	● Screw, Cap	26	0809-145	1	Arm, Valve Rocker - Intake
4	0830-155	4	Gasket	27	3304-007	4	Screw, Adjuster
5	3304-918	2	Screw, Cap	28	3304-026	4	Nut
6	3303-386	2	Screw, Cap	29	0809-149	1	Arm, Valve Rocker - Exhaust
7	3304-903	1	Screw, Cap	30	0809-151	2	Shaft, Rocker Arm
8	0826-136	1	Screw, Cap	31	0830-143	2	Gasket
9	3303-384	2	Screw, Cap	32	0831-053	2	Plug, Shaft
10	0808-112	1	Plug, Head	33	3303-044	8	Cotter, Valve
11	0830-139	2	O-Ring	34	0809-142	4	Retainer, Spring
12	3303-383	4	Screw, Cap	35	0809-140	4	Spring, Valve
13	0808-111	2	Cap, Inspection	36	0809-190	4	Seal, Oil
14	0217-705	1	Spark Plug - NGK CR8E	37	0809-141	4	Seat, Spring
15	3323-145	1	O-Ring	38	0809-188	2	Valve, Intake
16	3323-030	1	Manifold, Intake	39	0809-189	2	Valve, Exhaust
17	3304-189	2	Screw, Cap	40	0826-062	2	Screw, Cap
18	0423-380	1	Clamp	41	0826-061	2	Screw, Cap
19	3303-656	1	Plug, Oil Gallery	42	0828-044	4	Washer
20	0809-251	1	Camshaft	43	0827-019	2	Bolt, Stud
21	0809-165	1	C-Ring	44	3303-332	2	Nut
22	0809-166	1	Sprocket	45	0829-013	2	Pin, Dowel
23	0829-036	1	Pin, Alignment				



CAM CHAIN ASSEMBLY

0743-029

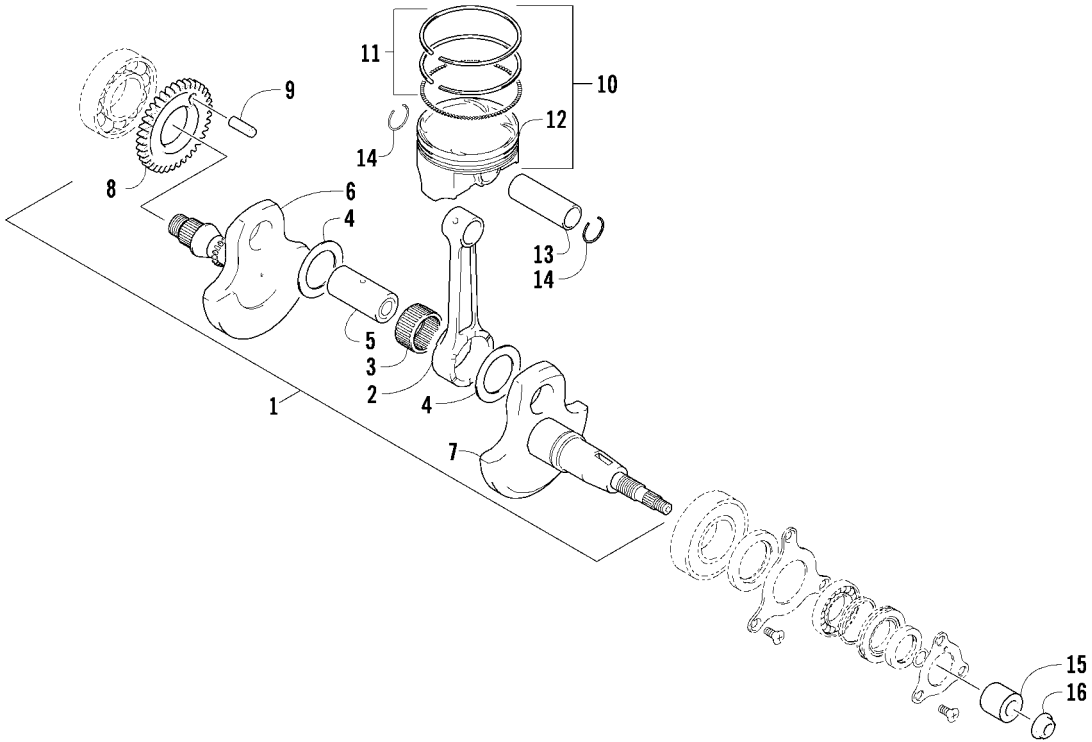
Ref	Part No.	New Qty	Description	Ref	Part No.	New Qty	Description
1	0810-005	1	Chain, Cam	7	0810-056	1	● Spring
2	0810-006	1	Guide, Chain	8	0810-061	1	● Plug
3	0810-007	1	Tensioner, Chain	9	0810-062	1	● Washer
4	0826-133	1	Pivot, Tensioner	10	0830-060	1	Gasket
5	0830-150	1	Washer	11	3303-360	2	Screw, Cap
6	0810-054	1	Adjuster, Tensioner - Assembly (inc. 7-9)				



CRANKCASE ASSEMBLY

0744-254

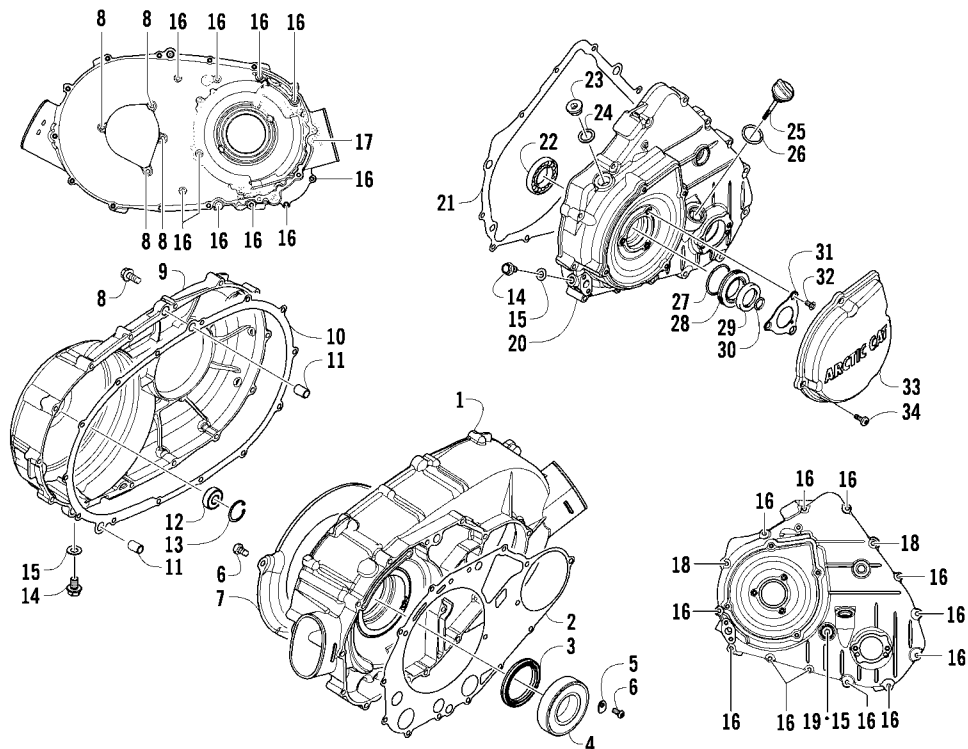
Ref	Part No.	New Qty	Description	Ref	Part No.	New Qty	Description
1	0801-021	1	Crankcase - Assembly (inc. 2-4)	16	0832-022	2	Bearing
2	0829-050	2	● Pin, Dowel	17	0832-020	1	Bearing
3	3303-372	1	● Screw, Cap	18	0832-019	1	Bearing
4	0826-126	4	● Screw, Cap	19	0801-027	1	Tube, Vent - Crankcase
5	0826-064	3	Screw, Cap	20	0830-066	1	Seal
6	3303-387	10	Screw, Cap	21	0801-018	1	Plate, Oil Guide - Right
7	0826-065	3	Screw, Cap	22	0801-019	1	Plate, Oil Guide - Left
8	0829-046	2	Pin, Dowel	23	0830-058	1	Seal
9	0832-087	1	Bearing	24	0805-018	1	Retainer
10	3304-198	1	Bearing	25	0826-145	3	Screw, Machine
11	0832-074	1	Bearing	26	0830-143	1	Gasket
12	0826-144	6	Screw, Machine	27	0835-004	1	Plug, Oil Pressure
13	0822-104	2	Retainer, Bearing	28	0812-066	1	Union, Oil Filter
14	3304-195	1	Bearing	29	0812-029	1	Filter, Oil
15	3304-699	1	Bearing	30	3313-721	2	Bolt, Stud



CRANKSHAFT AND PISTON ASSEMBLY

0744-266

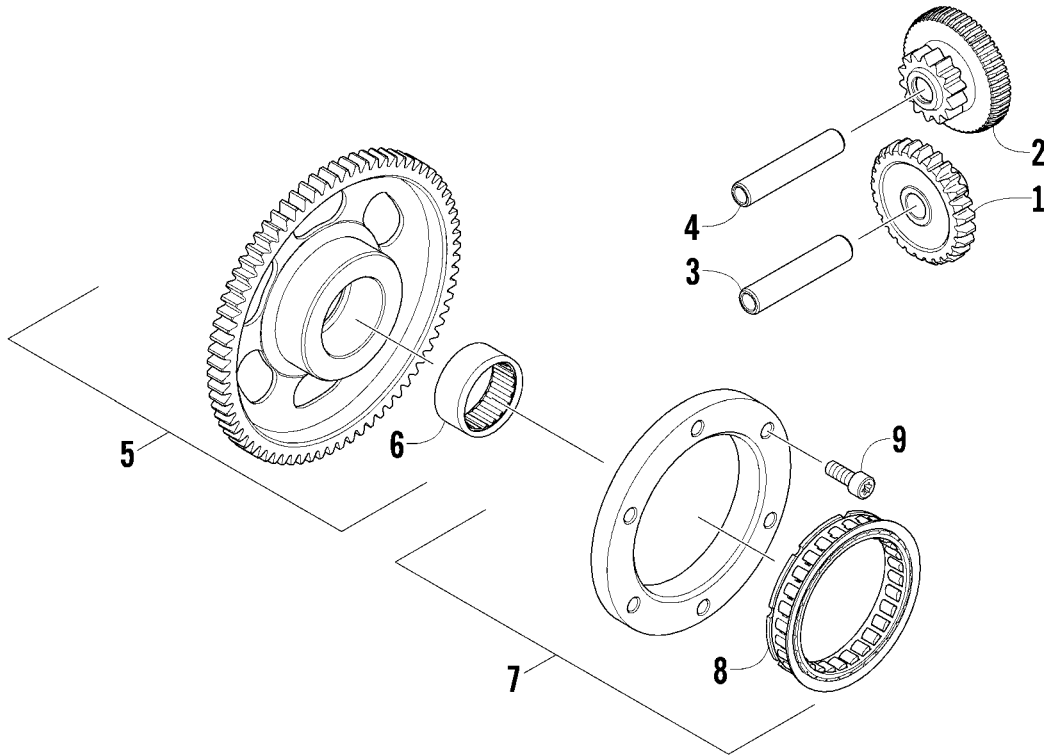
Ref	Part No.	New Qty	Description	Ref	Part No.	New Qty	Description
1	0805-013	1	Crankshaft Assembly (inc. 2-9)	9	0805-168	1	● Pin, Dowel
2	-	1	● Rod, Connecting - Not a Service Part	10	0805-169	1	Piston Set (inc. 11-14)
3	0832-018	1	● Bearing	11	0805-170	1	● Ring, Piston - Set
4	0828-045	2	● Washer	12	0805-021	1	● Piston
5	0805-043	1	● Pin, Crankshaft	13	0805-023	1	● Pin, Piston
6	0805-036	1	● Crankshaft - Right	14	0831-060	2	● Circlip
7	0805-038	1	● Crankshaft - Left	15	0820-064	1	Bushing
8	0805-020	1	● Gear, Crank Balancer Drive	16	3303-333	1	Nut



CLUTCH/V-BELT/MAGNETO COVER ASSEMBLY

0744-262

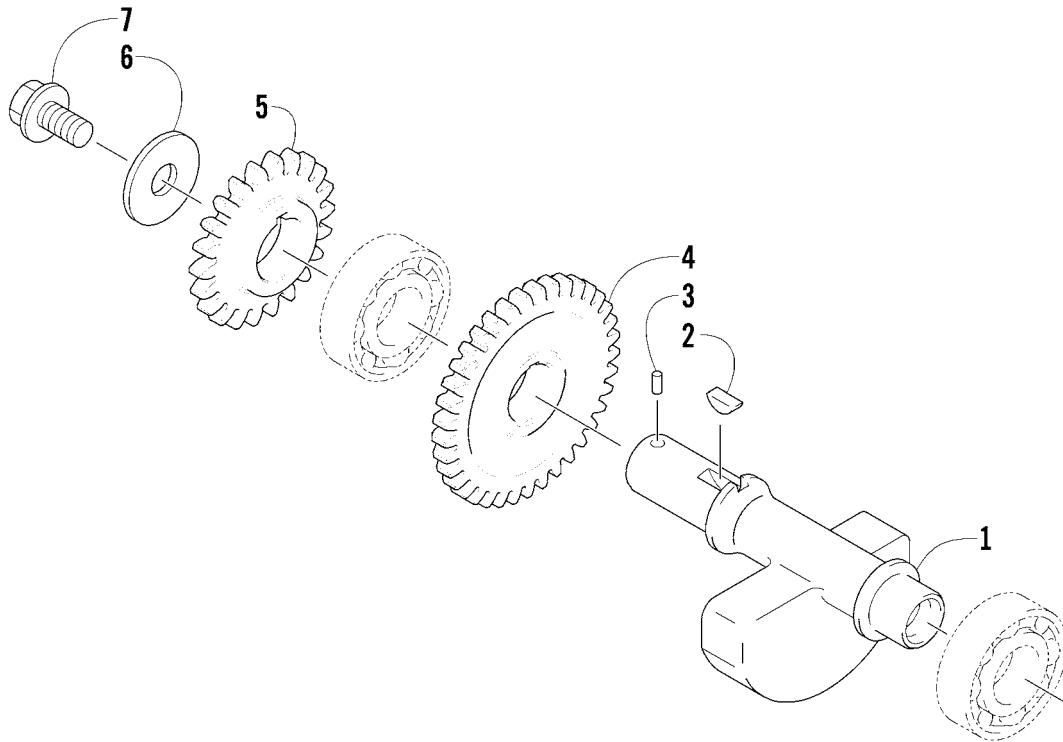
Ref	Part No.	New Qty	Description	Ref	Part No.	New Qty	Description
1	0806-026	1	Cover, Clutch	18	3304-191	2	Screw, Cap
2	0830-055	1	Gasket	19	0826-068	1	Screw, Cap
3	0830-157	1	Seal, Clutch Housing	20	0806-028	1	Cover, Magneto
4	0832-071	1	Bearing	21	0830-057	1	Gasket, Magneto Cover
5	0822-104	2	Retainer, Bearing	22	0832-053	1	Bearing
6	0826-144	5	Screw, Machine	23	0806-099	1	Plug
7	0806-103	1	Plate, Air Intake	24	0830-141	1	Washer, Crush
8	3303-386	18	Screw, Cap	25	0806-029	1	Stick, Oil Level (inc. 26)
9	0806-027	1	Cover, V-Belt	26	3304-102	1	● O-Ring, Oil Level Stick
10	0830-056	1	Gasket, V-Belt Cover	27	0830-021	1	O-Ring
11	0829-046	6	Pin, Dowel	28	0820-037	1	Spacer
12	0832-023	1	Bearing	29	0830-145	1	Seal, Oil
13	3303-347	1	Circlip	30	0830-153	1	O-Ring
14	3303-365	2	Plug, Drain	31	0805-178	1	Retainer, Oil Seal
15	3303-591	3	Gasket, Drain Plug	32	0826-145	3	Screw, Machine
16	3304-903	22	Screw, Cap	33	0820-066	1	Cover, Magneto - Outer
17	0826-066	1	Screw, Cap	34	3303-617	4	Screw, Machine



STARTER CLUTCH ASSEMBLY

0744-283

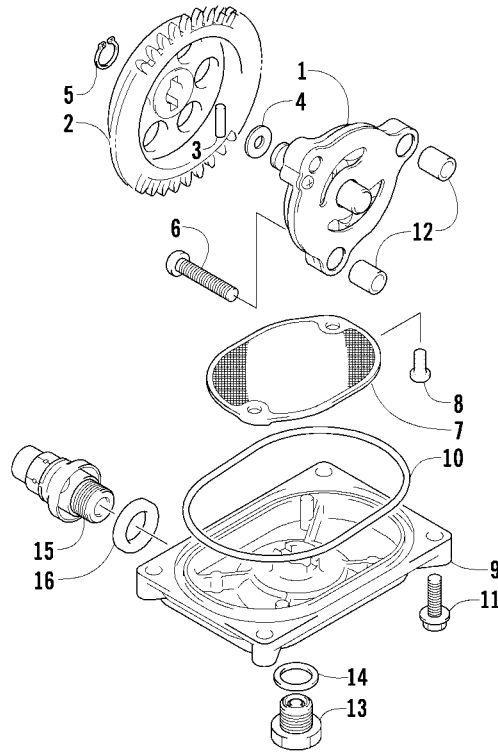
Ref	Part No.	New Qty	Description	Ref	Part No.	New Qty	Description
1	0815-022	1	Gear, Starter Idler - No. 2	6	0832-069	1	● Bearing
2	0815-031	1	Gear, Starter Idler - No. 1	7	0802-044	1	Clutch, One-Way (inc. 8)
3	0815-015	1	Pin, Starter Idler Gear No. 2	8	-	1	● Bearing - Not a Service Part
4	0815-007	1	Pin, Starter Idler Gear No. 1	9	0826-120	6	Screw, Cap
5	0815-023	1	Gear, Starter Clutch (inc. 6)				



CRANK BALANCER ASSEMBLY

0743-027

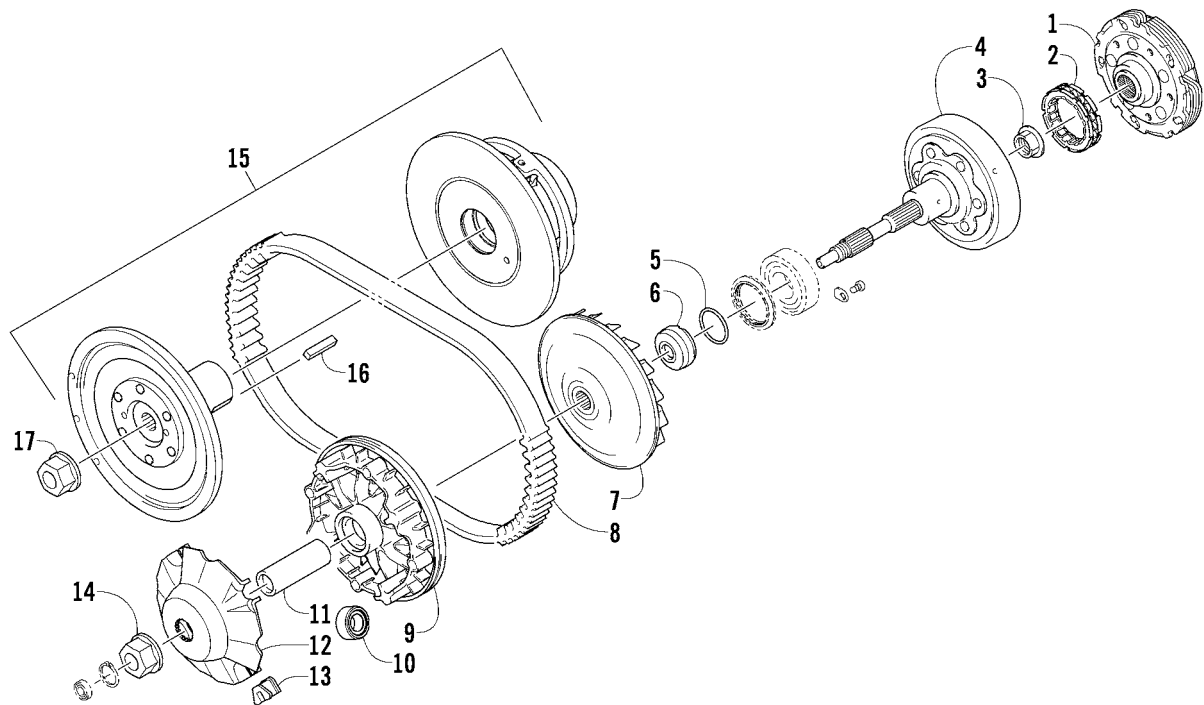
Ref	Part No.	New Qty	Description	Ref	Part No.	New Qty	Description
1	0811-005	1	Balancer, Crank	5	0811-009	1	Gear, Oil Pump Drive
2	0829-037	1	Key	6	0828-091	1	Washer
3	3304-144	1	Pin, Alignment	7	0826-118	1	Screw, Cap
4	0811-006	1	Gear, Driven				



OIL PUMP AND STRAINER ASSEMBLY

0743-030

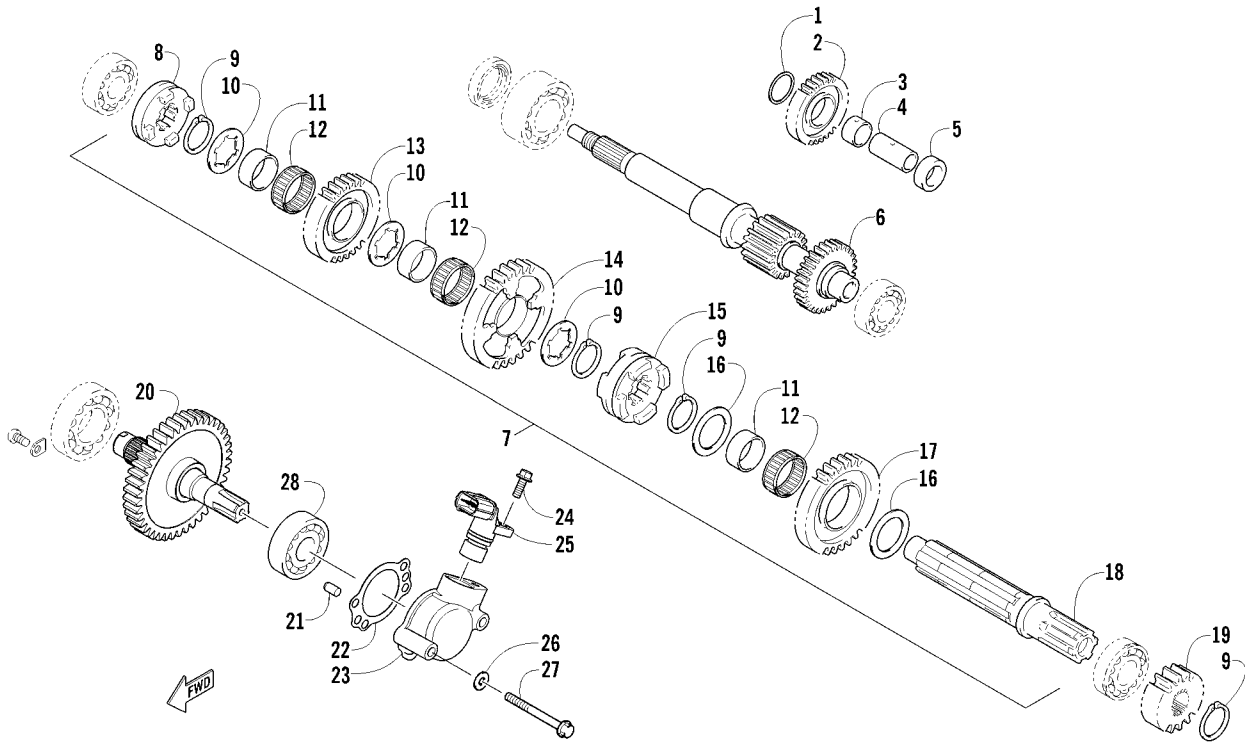
Ref	Part No.	New Qty	Description	Ref	Part No.	New Qty	Description
1	0812-069	1	Pump, Oil	9	0812-038	1	Cap, Oil Strainer
2	0812-010	1	Gear, Driven	10	0830-159	1	O-Ring
3	0812-036	1	Pin, Dowel	11	3303-384	4	Screw, Cap
4	0828-007	1	Washer	12	0829-033	2	Pin, Dowel
5	3304-146	1	Ring, Retaining	13	0812-065	1	Plug, Drain
6	0826-131	3	Screw, Machine	14	0830-143	1	Gasket
7	0812-049	1	Strainer, Oil	15	0812-067	1	Valve, Oil-Relief - Assembly (inc. 16)
8	3313-722	2	Screw, Cap	16	0830-181	1	● O-Ring



TRANSMISSION ASSEMBLY

0744-267

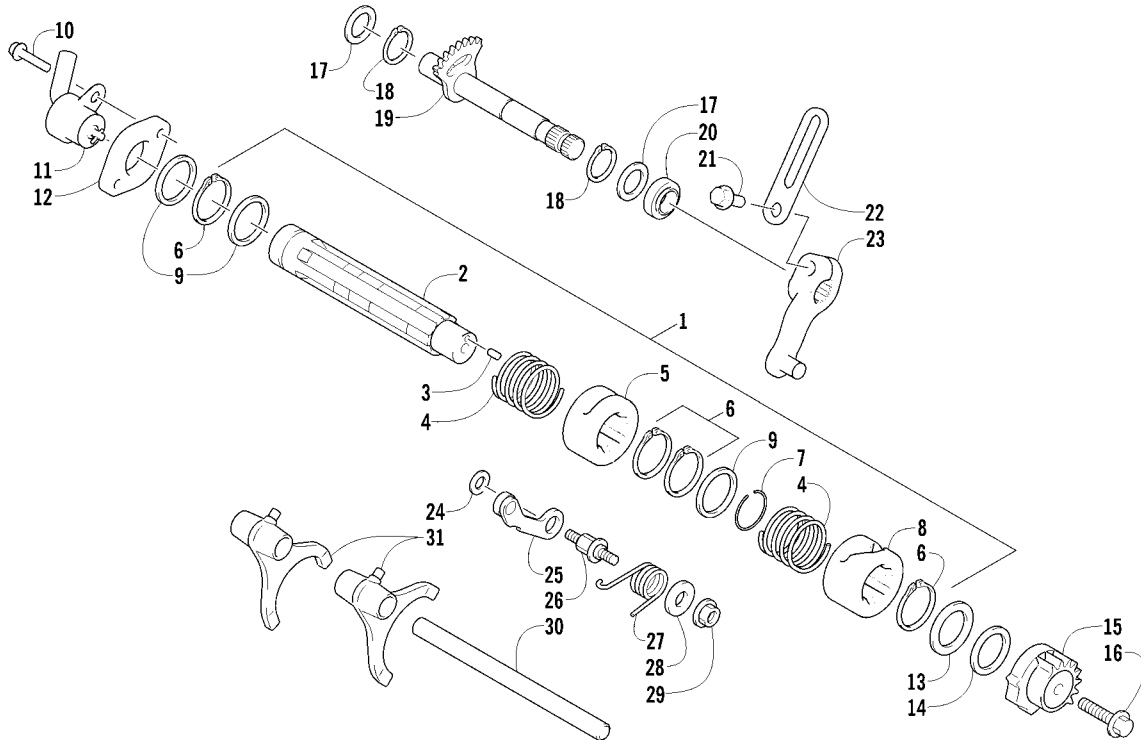
Ref	Part No.	New Qty	Description	Ref	Part No.	New Qty	Description
1	0823-328	1	Shoe, Clutch - Assembly	10	0823-210	8	Roller, Movable Drive Face
2	0823-198	1	Clutch, One-Way	11	0823-206	1	Spacer, Movable Drive Face
3	0827-050	1	Nut	12	0823-213	1	Plate, Movable Drive Face
4	0823-200	1	Housing, Clutch	13	0823-214	4	Damper, Movable Drive Face
5	0470-531	1	O-Ring	14	3323-165	1	Nut
6	0823-058	1	Spacer	15	0823-294	1	Clutch, Driven - Assembly (inc. 16)
7	0823-203	1	Face, Fixed Drive	16	0835-018	1	● Key
8	0823-228	1	Belt, Drive	17	0827-058	1	Nut
9	0823-207	1	Face, Movable Drive				



SECONDARY TRANSMISSION ASSEMBLY

0745-298

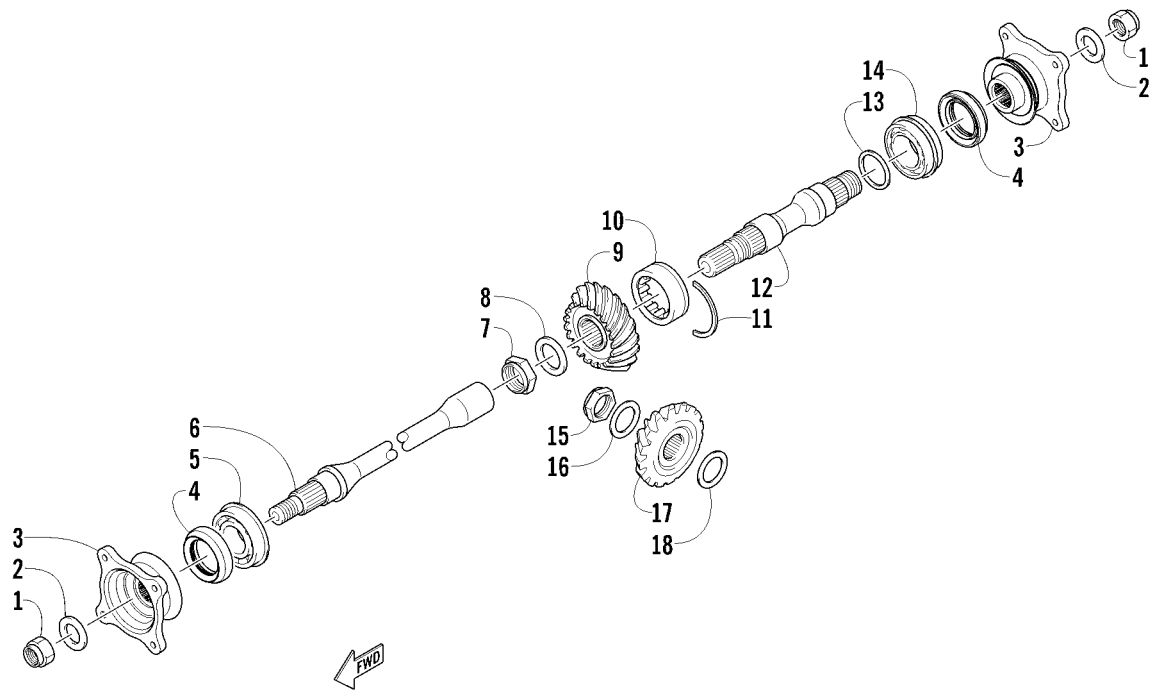
Ref	Part No.	New Qty	Description	Ref	Part No.	New Qty	Description
1	0828-081	1	Washer	15	0822-027	1	● Gear Select, Sliding
2	0822-061	1	Gear, Reverse Idle	16	3304-044	2	● Washer, Thrust
3	0822-065	1	Bushing	17	0822-026	1	● Gear, Driven - High
4	0822-064	1	Shaft, Reverse Idle	18	0822-025	1	● Countershaft
5	0822-029	1	Spacer	19	0822-028	1	Gear, Drive
6	0822-022	1	Driveshaft	20	0822-023	1	Shaft, Output
7	0822-036	1	Countershaft Assembly (inc. 8-18)	21	3303-395	2	Pin, Dowel
8	0822-033	1	● Gear Select, Reverse	22	0830-156	1	Gasket, Housing
9	3304-147	4	● Circlip	23	0822-105	1	Housing, Speedometer Sensor
10	3304-045	3	● Washer	24	3303-382	1	Screw, Cap
11	0822-062	3	● Bushing	25	3313-172	1	Sensor, Speedometer
12	0832-038	3	● Bearing	26	0830-155	2	Gasket
13	0822-032	1	● Gear, Reverse Driven	27	3303-387	2	Screw, Cap
14	0822-063	1	● Gear, Driven - Low	28	3304-198	1	Bearing



GEAR SHIFTING ASSEMBLY

0745-299

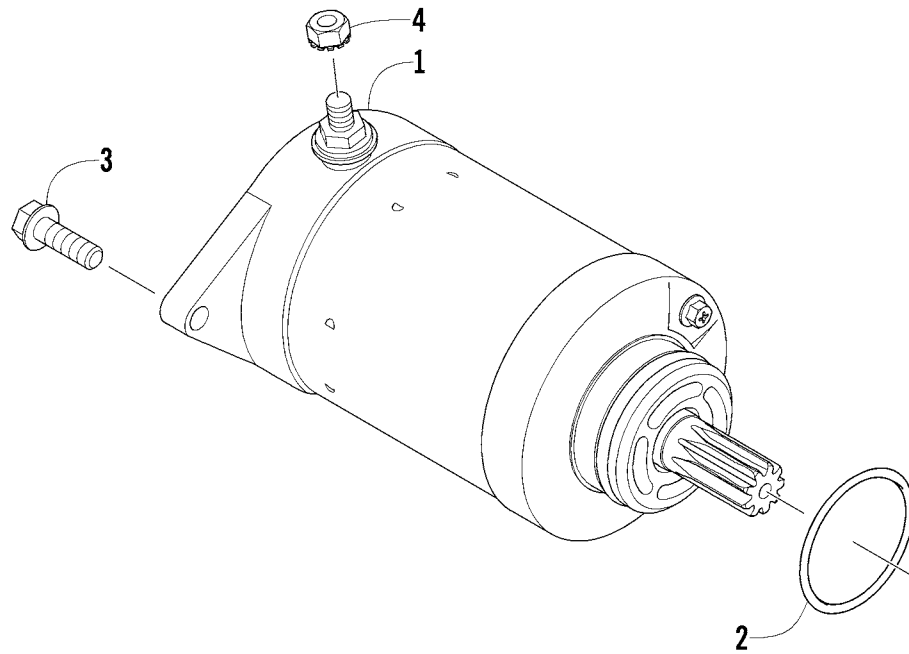
Ref	Part No.	New	Qty	Description	Ref	Part No.	New	Qty	Description
1	0818-118	X	1	Shaft, Gear Shift - Assembly (inc. 2-8 and two No. 9)	16	3304-569		1	Screw, Cap
2	0818-125	X	1	● Shaft, Gear Shift	17	0828-084		2	Washer
3	3304-439		1	● Pin, Dowel	18	3301-785		2	Ring, Retaining
4	0818-060		2	● Spring	19	0818-022		1	Shaft, Sub-Gear Shift
5	0818-019		1	● Cam, Reverse	20	0830-179		1	Seal
6	3304-147		4	● Circlip	21	3303-382		1	Screw, Cap
7	0831-016		1	● C-Ring	22	3002-964		1	Clamp, Wire
8	0818-023		1	● Cam, Gear Shift	23	0818-080		1	Arm, Select
9	0828-079		3	● Washer	24	0828-083		1	Washer
10	3303-252		2	Screw, Cap	25	0818-084		1	Stopper, Cam
11	3313-434		1	Switch, Gear Shift Position	26	0818-062		1	Support, Cam Stopper
12	0818-073		1	Spacer, Speed Sensor	27	0818-020		1	Spring
13	0828-081		1	Washer, Thrust	28	0828-082		1	Washer
14	0828-080		1	Washer, Thrust	29	3304-654		1	Nut, Lock
15	0818-061		1	Plate, Gear Shift Cam	30	0818-021		1	Shaft, Shift Fork
					31	0818-088		2	Fork, Shift



SECONDARY DRIVE ASSEMBLY

0745-300

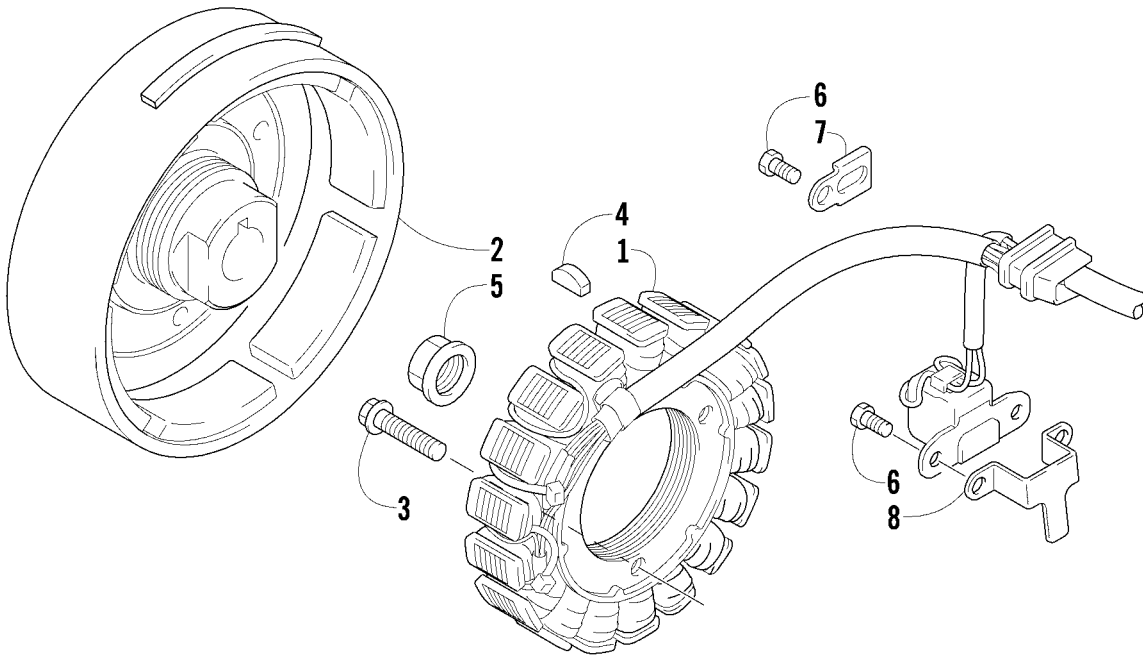
Ref	Part No.	New Qty	Description	Ref	Part No.	New Qty	Description
1	0817-001	2	Nut	14	0832-041	1	Bearing
2	3304-958	2	Washer	15	0827-047	1	Nut
3	0819-022	2	Flange, Output Joint	16	3304-042	1	Washer, Thrust
4	0830-144	2	Seal, Oil	17	0819-018	1	Gear, Secondary Drive
5	0832-026	1	Bearing	18	3306-009	AR	Shim, 30 x 48 x 0.60 mm
6	0819-020	1	Shaft, Secondary Driven		3306-010	AR	Shim, 30 x 48 x 0.65 mm
7	0827-022	1	Nut		3306-011	AR	Shim, 30 x 48 x 0.70 mm
8	0828-090	1	Washer		3306-012	AR	Shim, 30 x 48 x 0.75 mm
9	0819-019	1	Gear, Secondary Driven		3306-013	AR	Shim, 30 x 48 x 0.80 mm
10	0832-040	1	Bearing		3306-014	AR	Shim, 30 x 48 x 0.85 mm
11	0819-070	1	C-Ring		3306-015	AR	Shim, 30 x 48 x 0.90 mm
12	0819-021	1	Shaft, Secondary Driven		3306-016	AR	Shim, 30 x 48 x 0.95 mm
13	3305-955	AR	Shim, 25 x 34 x 0.60mm		3306-017	AR	Shim, 30 x 48 x 1.00 mm
	3305-956	AR	Shim, 25 x 34 x 0.65mm		3306-018	AR	Shim, 30 x 48 x 1.05 mm
	3305-957	AR	Shim, 25 x 34 x 0.70mm		3306-019	AR	Shim, 30 x 48 x 1.10 mm
	3305-958	AR	Shim, 25 x 34 x 0.75mm		3306-020	AR	Shim, 30 x 48 x 1.15 mm
	3305-959	AR	Shim, 25 x 34 x 0.80mm		3306-021	AR	Shim, 30 x 48 x 1.20 mm
	3305-960	AR	Shim, 25 x 34 x 0.85mm		3306-022	AR	Shim, 30 x 48 x 1.25 mm
	3305-961	AR	Shim, 25 x 34 x 0.90mm				
	3305-962	AR	Shim, 25 x 34 x 0.95mm				
	3305-963	AR	Shim, 25 x 34 x 1.00mm				
	3305-964	AR	Shim, 25 x 34 x 1.05mm				
	3305-965	AR	Shim, 25 x 34 x 1.10mm				
	0828-088	AR	Shim, 25 x 34 x 1.15mm				
	3305-966	AR	Shim, 25 x 34 x 1.20mm				
	3305-967	AR	Shim, 25 x 34 x 1.25mm				



STARTER MOTOR ASSEMBLY

0743-206

Ref	Part No.	New Qty	Description	Ref	Part No.	New Qty	Description
1	3305-954	1	Motor, Starter - Assembly (inc. 2)	3	3305-946	2	Screw, Cap
2	3304-104	1	● O-Ring	4	3304-011	1	Nut w/Washer



MAGNETO ASSEMBLY

0743-035

Ref	Part No.	New Qty	Description	Ref	Part No.	New Qty	Description
1	3323-200	1	Stator Assembly	5	0827-046	1	Nut
2	3323-164	1	Rotor/Flywheel	6	3303-308	3	Screw, Cap
3	3305-945	3	Screw, Cap	7	0802-003	1	Clamp
4	0829-039	1	Key	8	0802-004	1	Clamp

