

# TABLE OF CONTENTS

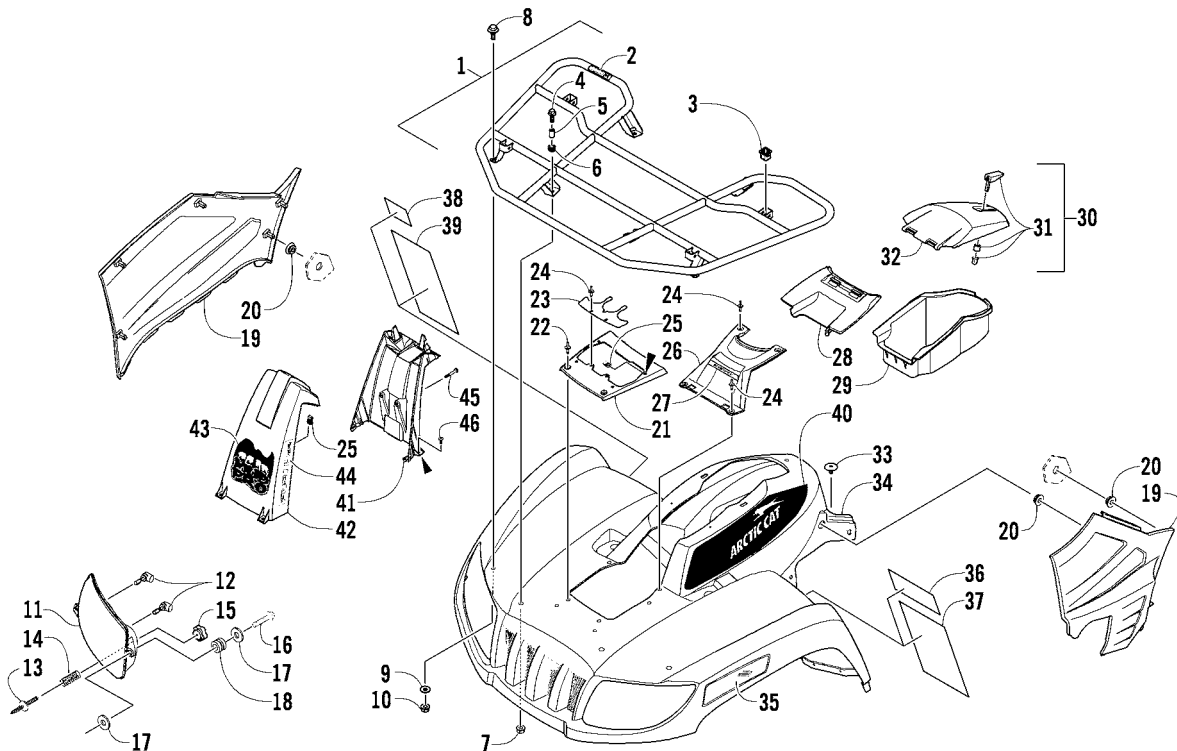
## 2010 ATV 700 Mud Pro

Metallic Cat Green (Model No. A2010IFT4EUSA)

Metallic Cat Green - International (Model No. A2010IFT4EOSA)

FRONT RACK, BODY PANEL, AND HEADLIGHT ASSEMBLIES .....	1
REAR RACK, BODY PANEL, AND FOOTWELL ASSEMBLIES .....	2
FRAME AND RELATED PARTS .....	3
WINCH ASSEMBLY .....	4
TAILLIGHT ASSEMBLY .....	5
SEAT ASSEMBLY .....	6
STEERING ASSEMBLY .....	7
HANDLEBAR ASSEMBLY .....	8
INSTRUMENT POD ASSEMBLY .....	9
FRONT SUSPENSION ASSEMBLY .....	10
REAR SUSPENSION ASSEMBLY .....	11
WHEEL AND TIRE ASSEMBLY .....	12
HYDRAULIC BRAKE ASSEMBLY .....	13
GAS TANK ASSEMBLY (Up to VIN: 4UF10ATV3AT202941 and VIN: 4UF10ATV7AT203026 to 4UF10ATV3AT203037) .....	14
GAS TANK ASSEMBLY (VIN: 4UF10ATV3AT202941 to 4UF10ATV7AT203026 and VIN: 4UF10ATV5AT203038 and Up) .....	15
SHIFT LEVER ASSEMBLY .....	16
AIR INTAKE ASSEMBLY .....	17
ENGINE AND EXHAUST .....	18
COOLING ASSEMBLY .....	19
CASE/BELT COOLING ASSEMBLY .....	20
DRIVE TRAIN ASSEMBLY .....	21
FRONT DRIVE GEARCASE ASSEMBLY .....	22
REAR DRIVE GEARCASE ASSEMBLY .....	23
WIRING HARNESS ASSEMBLY .....	24
BATTERY AND STARTER ASSEMBLY .....	25
THROTTLE BODY ASSEMBLY .....	26
CYLINDER ASSEMBLY .....	27
CYLINDER HEAD AND CAMSHAFT/VALVE ASSEMBLY .....	28
CAM CHAIN ASSEMBLY .....	29
CRANKCASE ASSEMBLY (Engine Serial No. Up to 0700A80445999) .....	30
CRANKCASE ASSEMBLY (Engine Serial No. 0700AD0010060 and Up) .....	31
CRANKSHAFT AND PISTON ASSEMBLY .....	32
CLUTCH/V-BELT/MAGNETO COVER ASSEMBLY .....	33
STARTER CLUTCH ASSEMBLY .....	34
CRANK BALANCER ASSEMBLY .....	35
OIL FILTER/PUMP ASSEMBLY (Engine Serial No. Up to 0700A80445999) .....	36
OIL FILTER/PUMP ASSEMBLY (Engine Serial No. 0700AD0010060 and Up) .....	37
WATER PUMP ASSEMBLY .....	38
TRANSMISSION ASSEMBLY .....	39
SECONDARY TRANSMISSION ASSEMBLY .....	40
GEAR SHIFTING ASSEMBLY .....	41
SECONDARY DRIVE ASSEMBLY .....	42
MAGNETO ASSEMBLY .....	43

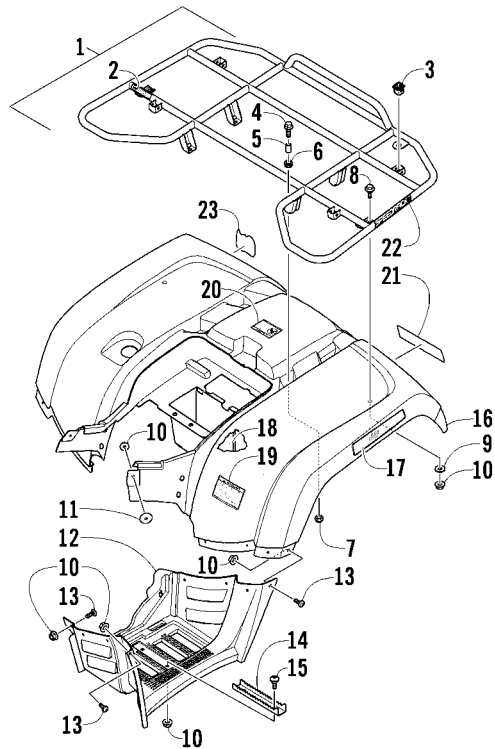
■ **NOTE:** The illustrations used in this Parts Manual are for reference to replacement part numbers only and are not to be used for assembly. For assembly procedures, use an Arctic Cat Service Manual. For a complete list of related items, refer to the current accessory catalog.



## FRONT RACK, BODY PANEL, AND HEADLIGHT ASSEMBLIES

0744-562

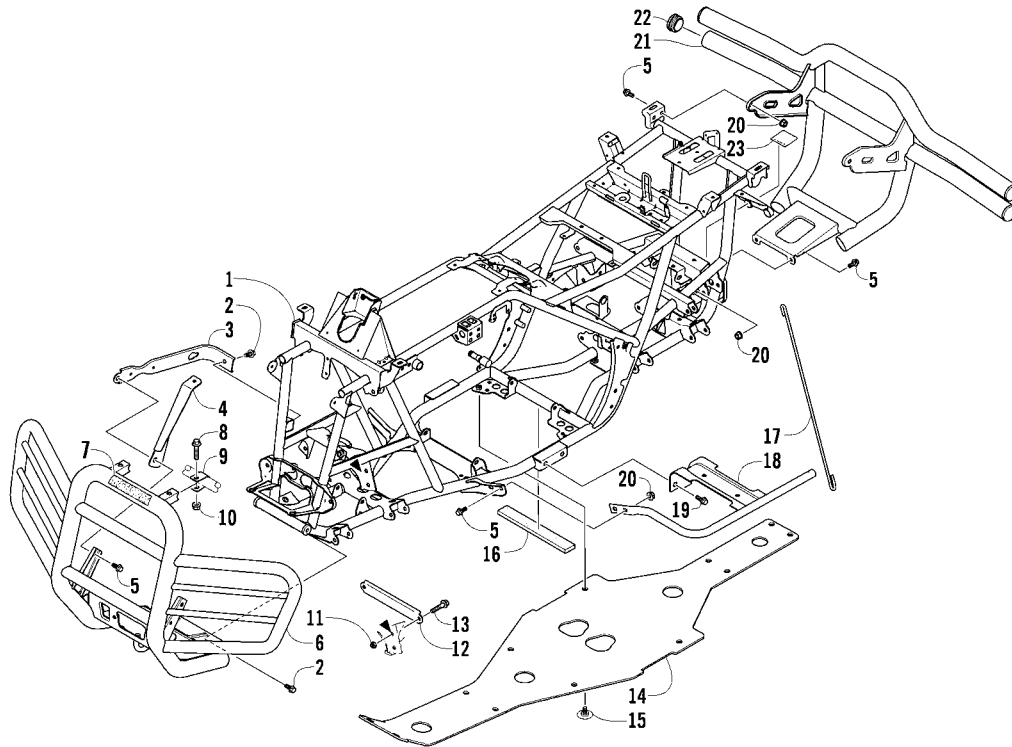
Ref	Part No.	New Qty	Description	Ref	Part No.	New Qty	Description
1	2506-643	1	Rack, Front - Assembly (inc. 2-3)	26	1406-484	1	Cover, Steering Post
2	0411-576	1	● Decal, Warning - Load	27	1411-050	1	Decal, "Speedrack"
3	0441-592	4	● Bushing, Rack	28	0470-513	1	Cover, Storage Box
4	8410-830	4	Screw, Cap	29	1406-573	1	Box, Storage
5	0423-669	4	Spacer	30	2506-234	1	Lid, Storage Box w/Latch (inc. 31-32)
6	0423-465	4	Grommet	31	1406-599	1	● Latch, Storage Box
7	8432-802	4	Nut, Lock	32	0470-514	1	● Lid, Storage Box
8	0423-654	2	Screw, Shoulder	33	0423-101	2	Screw, Shoulder
9	8050-222	2	Washer	34	2516-132	1	Panel, Fender - Assembly - Metallic Cat Green (inc. 35-39)
10	0423-540	2	Nut, Lock	35	0411-818	1	● Decal, Reflector - Right - Amber
11	0509-044	1	Headlight Assembly - Right (inc. 12)		0411-819	1	● Decal, Reflector - Left - Amber
	0509-035	1	Headlight Assembly - Left (inc. 12)	36	1411-574	1	● Decal, Warning - Off-Road Only
12	0409-055	4	● Bulb, Headlight	37	2411-124	X 1	● Decal, Warning - General/Age
13	0423-514	2	Stud, Adjuster - Headlight	38	0411-835	1	● Decal, Warning - Turn/Hill
14	0423-522	2	Spring, Adjuster	39	1411-250	1	● Decal, Warning - Reverse/Pre-Ride
15	0423-513	2	Knob, Adjuster	40	1411-922	1	Decal, Side - Upper Right
16	0623-785	4	Screw, Self-Tapping		1411-923	1	Decal, Side - Upper Left
17	8050-217	8	Washer	41	2516-139	1	Cover, Intake - Rear - Metallic Cat Green
18	0423-447	4	Grommet	42	2516-140	1	Cover, Intake - Front - Metallic Cat Green
19	2406-300	1	Panel, Side - Lower - Right	43	1411-964	1	Decal, "Mud Pro"
	2406-419	1	Panel, Side - Lower - Left	44	1411-977	2	Decal, "700 H1 EFI"
20	0423-678	8	Grommet	45	8468-645	2	Screw, Machine
21	2516-170	1	Cover, Access	46	8468-616	4	Screw, Machine
22	0423-535	2	Rivet, Reinstallable				
23	2416-100	1	Shield, Splash				
24	0623-362	6	Rivet, Reinstallable				
25	0423-577	6	Clip, U-Nut				



## REAR RACK, BODY PANEL, AND FOOTWELL ASSEMBLIES

0744-611

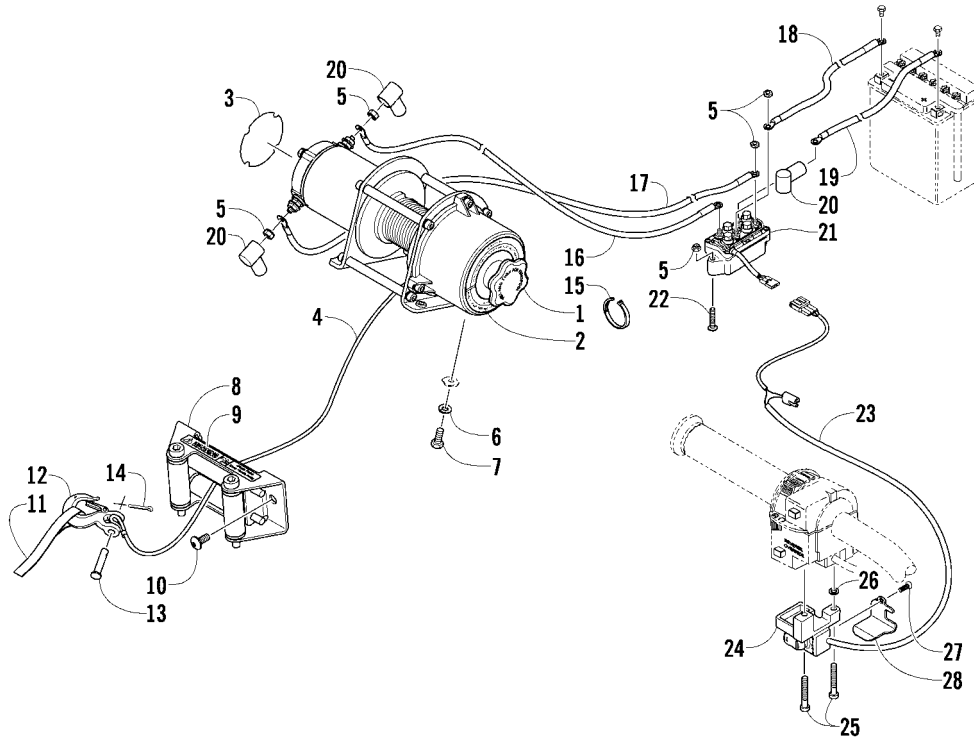
Ref	Part No.	New	Qty	Description	Ref	Part No.	New	Qty	Description
1	2506-125		1	Rack, Rear - Assembly (inc. 2-3)	13	0423-419		18	Screw, Machine
2	0411-648		1	● Decal, Warning - Load	14	1506-125		2	Footpeg
3	0441-592		4	● Bushing, Rack	15	0423-355		4	Screw, Shoulder
4	8410-830		4	Screw, Cap	16	2516-133		1	Panel, Fender - Assembly - Metallic Cat Green (inc. 17-21)
5	0423-669		4	Spacer	17	1411-592		1	● Decal, Reflector - Right - Red
6	0423-465		4	Grommet		1411-593		1	● Decal, Reflector - Left - Red
7	8432-802		4	Nut, Lock	18	0470-658		1	● Foil, Protective
8	0423-654		2	Screw, Shoulder	19	2411-143	X	1	● Decal, Warning - Tire Pressure
9	8050-222		2	Washer	20	1411-809		1	● Decal, Passenger
10	0423-540		26	Nut, Lock	21	1411-725		1	● Decal, Rear
11	0423-101		2	Screw, Shoulder	22	0411-965		2	Decal, "Speedrack"
12	1406-356		1	Footwell - Right	23	1411-964		1	Decal, "Mud Pro"
	2406-429		1	Footwell - Left					



## FRAME AND RELATED PARTS

0744-537

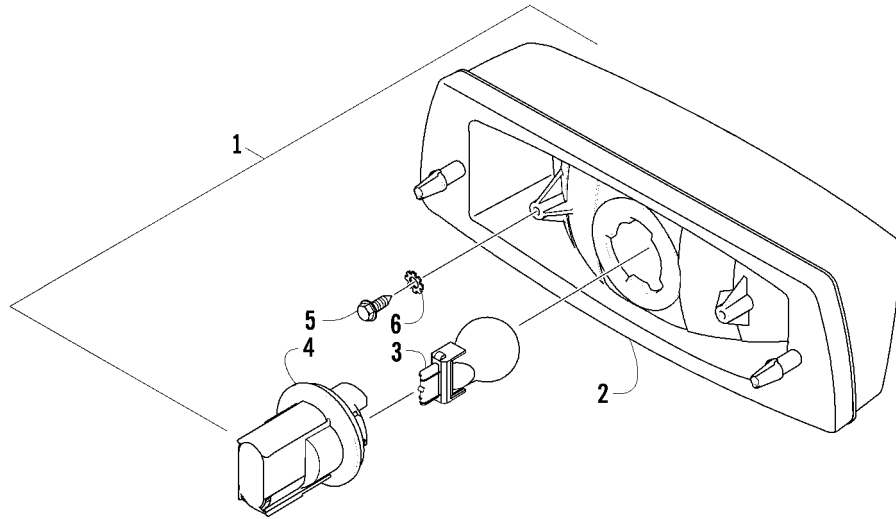
Ref	Part No.	New Qty	Description	Ref	Part No.	New Qty	Description
1	2506-541	1	Frame, Main	12	1506-429	1	Brace, A-Arm
2	8409-020	4	Screw, Cap	13	8409-025	2	Screw, Cap
3	1506-596	1	Channel, Bumper Mounting - Right	14	1406-030	1	Panel, Belly
	0506-653	1	Channel, Bumper Mounting - Left	15	0423-101	10	Screw, Shoulder
4	1506-562	1	Bracket, Mounting - Bumper - Right	16	0406-289	2	Pad, Frame
	1506-563	1	Bracket, Mounting - Bumper - Left	17	2506-423	2	Rod, Support
5	8408-816	10	Screw, Cap	18	1506-380	1	Footrest - Right
6	2506-639	1	Bumper, Front		1506-379	1	Footrest - Left
7	0411-501	1	Decal, Bumper - "Arctic Cat"	19	8409-016	4	Screw, Cap
8	8410-835	2	Screw, Cap	20	8424-802	8	Nut
9	2506-641	2	Strap, Support	21	1506-615	1	Bumper, Rear (inc. 22)
10	8424-805	2	Nut	22	0406-130	4	● Plug
11	0423-744	2	Nut, Lock	23	1411-077	1	Decal, Warning - Towing



## WINCH ASSEMBLY

0744-542

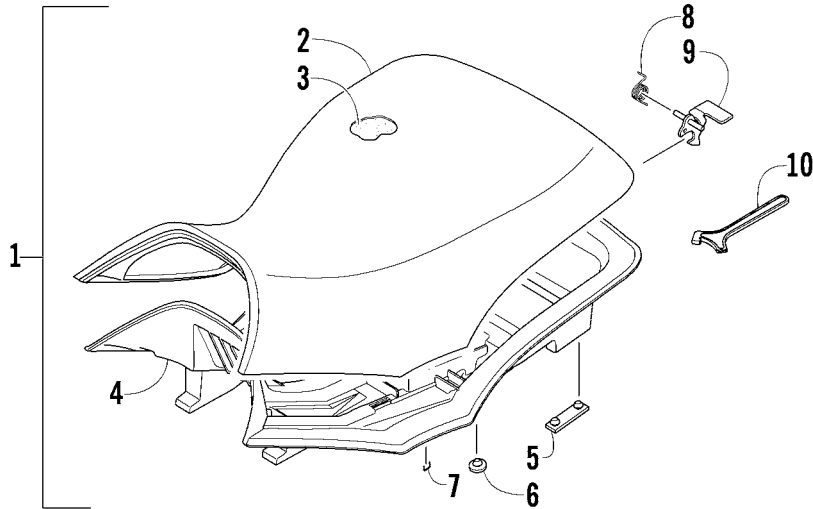
Ref	Part No.	New	Qty	Description	Ref	Part No.	New	Qty	Description
1	1441-830	X	1	Winch (inc. 2-4 and two No. 5)	15	0123-903		AR	Tie, Cable - 11.5 in.
2	2411-141	X	1	● Decal, Warning - Tension	16	0445-068		1	Cable, Winch/Solenoid - Yellow
3	2411-140	X	1	● Decal, Warning - Operation	17	0445-069		1	Cable, Winch/Solenoid - Blue
4	1441-831	X	1	● Cable, Winch	18	1441-112		1	Cable, Solenoid/Battery - Black
5	0623-038		8	● Nut w/Washer	19	0445-087	X	1	Cable, Solenoid/Battery - Red
6	8051-246		4	Washer, Lock	20	0645-019		3	Boot, Terminal
7	8408-820		4	Screw, Cap	21	0409-066		1	Solenoid
8	0441-403		1	Roller, Winch (inc. 9)	22	8476-625		2	Screw, Machine
9	0411-474		1	● Decal, Warning - Pinch Point	23	0409-087		1	Switch, Control
10	8468-820		2	Screw, Machine	24	0409-034		1	Retainer, Control Switch
11	1441-781		1	Strap	25	8464-560		2	Screw, Machine
12	1441-833	X	1	Hook, Winch	26	0423-593		1	Washer
13	1441-834	X	1	Pin	27	0423-382		1	Screw, Self-Tapping
14	0623-175		1	Pin, Cotter	28	0409-106		1	Cover, Switch



## TAILLIGHT ASSEMBLY

0739-667

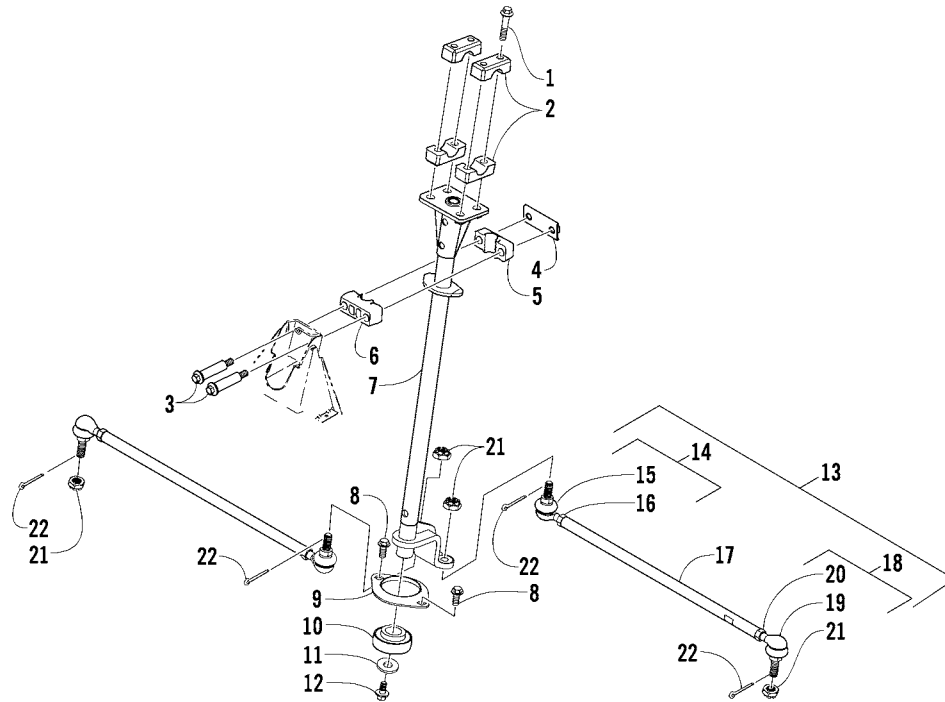
Ref	Part No.	New Qty	Description	Ref	Part No.	New Qty	Description
1	0509-022	1	Taillight Assembly (inc. 2-4)	4	0409-057	1	● Socket
2	0509-025	1	● Housing	5	0623-301	2	Screw, Self-Tapping
3	0409-056	1	● Bulb	6	8053-212	2	Washer, External Tooth Lock



## SEAT ASSEMBLY

0744-435

Ref	Part No.	New Qty	Description	Ref	Part No.	New Qty	Description
1	1506-937	1	Seat Assembly (inc. 2-9)	6	0406-877	4	●● Bumper, Seat - Front
2	1506-209	1	● Cover, Seat	7	0624-263	AR	● Staple
3	1506-208	1	● Foam, Seat	8	1406-592	1	● Spring, Seat Latch
4	2406-144	1	● Base, Seat - Assembly (inc. 5-6)	9	1506-156	1	● Latch, Seat
5	0406-879	2	●● Bumper, Seat - Rear	10	0441-587	1	Wrench, Spanner

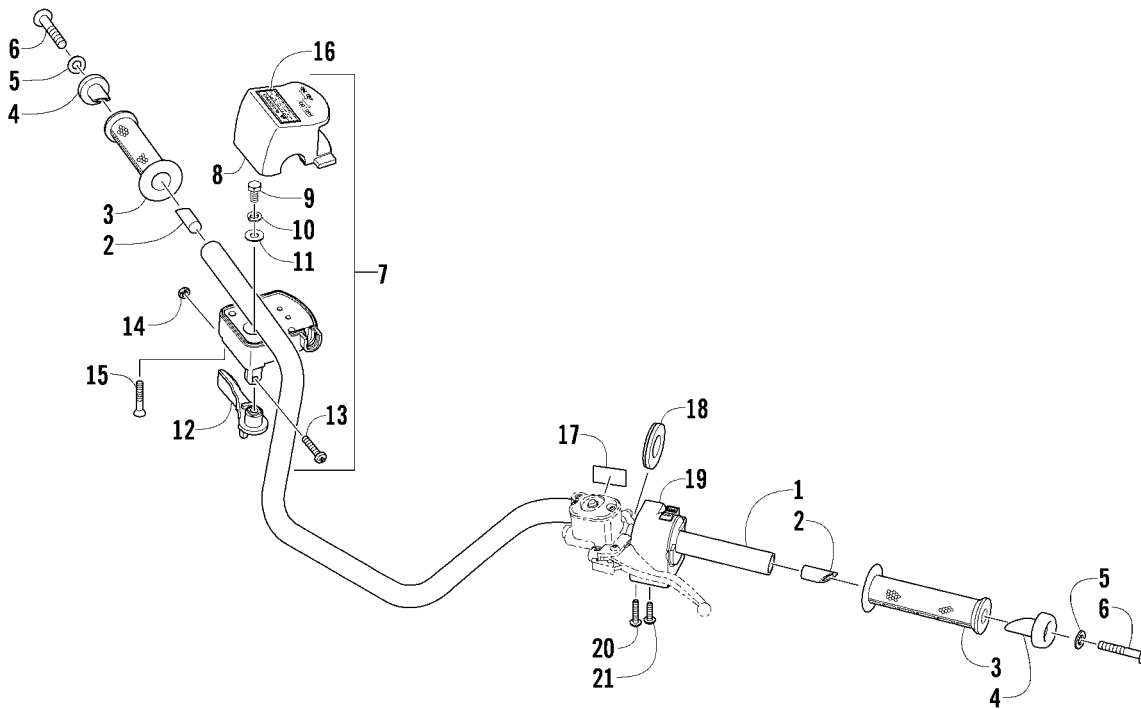


## STEERING ASSEMBLY

0742-327

Ref	Part No.	New Qty	Description	Ref	Part No.	New Qty	Description
1	8408-860	4	Screw, Cap	14	0505-511	2	● End, Tie Rod - Left-Hand Thread - Kit (inc. 15-16)
2	0405-035	4	Cap, Steering Adjuster	15	-	2	●● End, Tie Rod - Left-Hand Thread - Not a Service Part
3	0423-505	2	Screw, Shoulder	16	0423-013	2	●● Nut - Left-Hand Thread
4	0505-484	1	Cap, Housing	17	0405-281	2	● Tie Rod
5	0405-138	1	Housing, Lower	18	0505-510	2	● End, Tie Rod - Right-Hand Thread - Kit (inc. 19-20)
6	0405-139	1	Housing, Upper	19	-	2	●● End, Tie Rod - Right-Hand Thread - Not a Service Part
7	0505-451	1	Post, Steering	20	8420-002	2	●● Nut - Right-Hand Thread
8	8408-816	2	Screw, Cap	21	0423-157	4	Nut, Lock
9	0602-233	1	Flange, Bearing	22	0623-175	4	Pin, Cotter
10	0405-052	1	Bearing w/Inverted Oil Seal				
11	0423-073	1	Washer				
12	8409-020	1	Screw, Cap				
13	0505-499	2	Tie Rod - Assembly (inc. 14-20)				

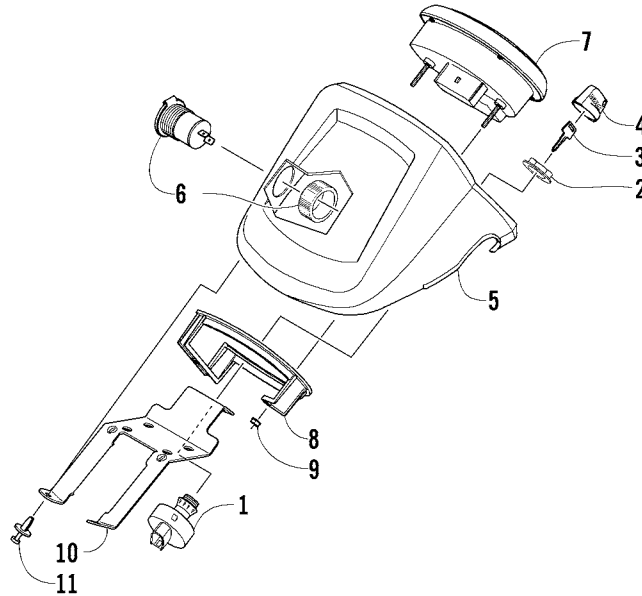




## HANDLEBAR ASSEMBLY

0744-426

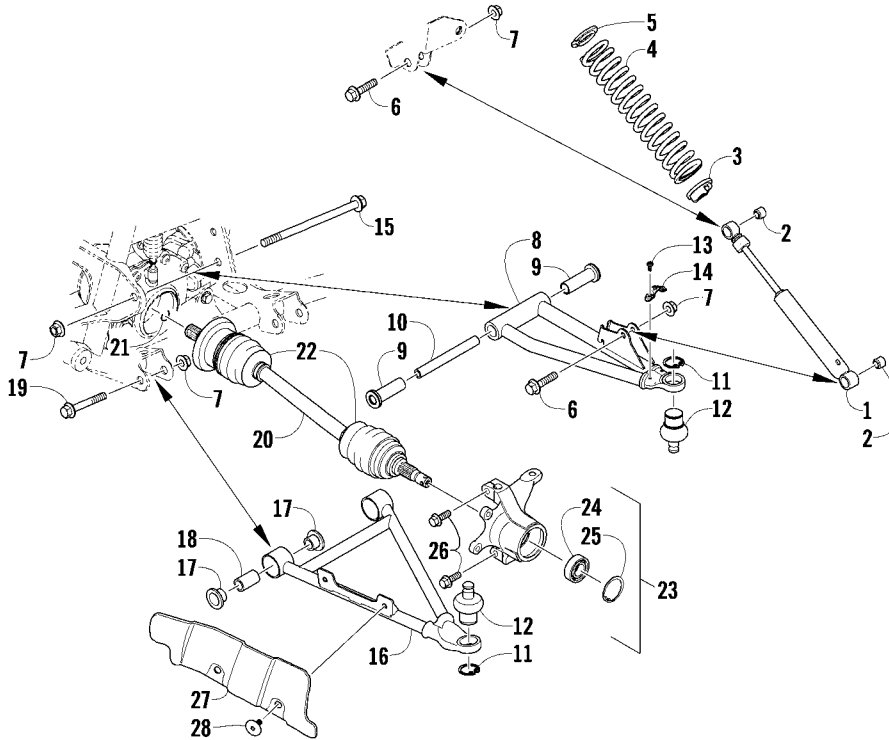
Ref	Part No.	New	Qty	Description	Ref	Part No.	New	Qty	Description
1	0505-537		1	Handlebar	12	0409-133	X	1	● Lever, Throttle
2	0405-218		2	Plug, Handlebar	13	3423-014		1	● Screw, Machine
3	0405-147		2	Grip, Handlebar	14	3423-327		1	● Nut
4	0405-149		2	End Cap, Handlebar	15	3423-199		2	● Screw, Machine
5	8050-247		2	Washer	16	0411-966		1	Decal, Warning - Differential Lock
6	8477-845		2	Screw, Machine	17	1411-865		1	Decal, Warning - Brake Lever Lock
7	0509-054	X	1	Case, Throttle - Assembly (inc. 8-15)	18	3409-019		1	Cover, Switch Housing
8	0409-141	X	1	● Cover, Throttle Case w/Switch	19	0509-014		1	Switch, Control - Assembly (inc. 20-21)
9	3007-392		1	● Screw, Cap	20	0409-028		1	● Screw, Machine
10	3004-447		1	● Washer, Lock	21	0409-027		1	● Screw, Machine
11	3003-030		1	● Washer					



## INSTRUMENT POD ASSEMBLY

0744-544

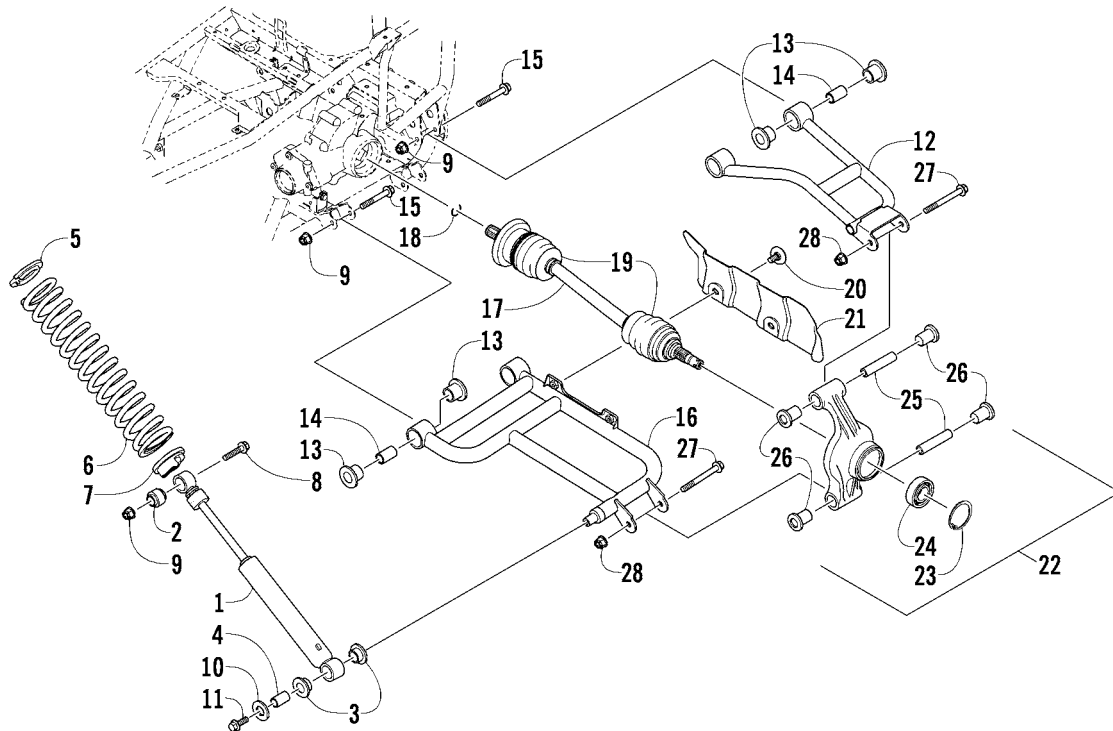
Ref	Part No.	New Qty	Description	Ref	Part No.	New Qty	Description
1	0430-090	1	Switch, Ignition - Assembly (inc. 2-4)	8	0420-065	1	Bracket, Retaining
2	0430-050	1	● Nut, Retaining	9	0423-493	2	Nut w/Washer
3	0430-042	1	● Key, Ignition - Y Series - Left-Side Cut	10	2506-470	1	Bracket, Mounting - Instrument Pod
	0430-043	1	● Key, Ignition - Z Series - Right-Side Cut	11	0423-535	2	Rivet, Reinstallable
4	0430-054	1	● Cover, Key				
5	0505-591	X 1	Instrument Pod - Black				
6	0641-897	1	Outlet, Accessory - 12V				
7	0520-036	1	Gauge, LCD (Up to VIN: 4UF10ATV3AT202941 and VIN: 4UF10ATV7AT203026 to 4UF10ATV3AT203037)				
	0520-068	X 1	Gauge, LCD (VIN: 4UF10ATV3AT202941 through 4UF10ATV7AT203026 and VIN: 4UF10ATV5AT203038 and Up)				



## FRONT SUSPENSION ASSEMBLY

0744-483

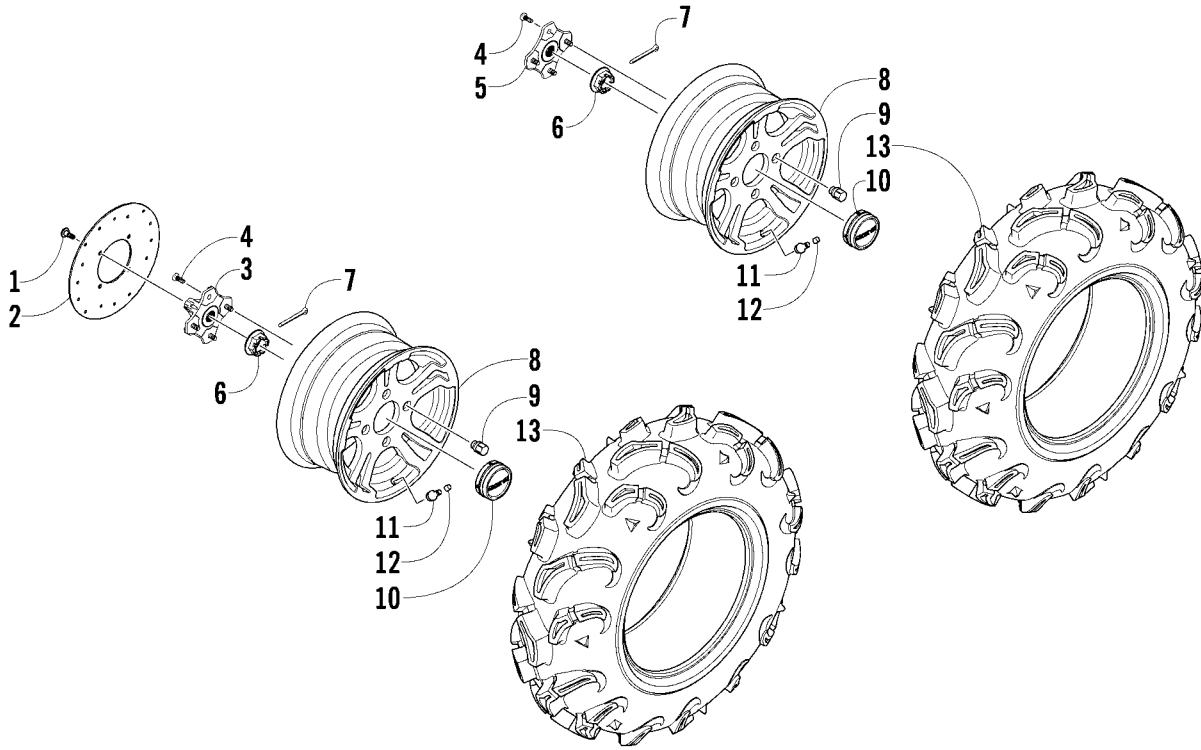
Ref	Part No.	New	Qty	Description	Ref	Part No.	New	Qty	Description
1	0403-180		2	Shock Absorber (inc. 2)	17	0403-208	X	8	● Bushing
2	0403-182		4	● Bushing	18	0403-214	X	4	● Axle
3	0403-102		2	Cam, Spring Adjuster	19	8409-075		4	Screw, Cap
4	0403-210		2	Spring, Suspension - White	20	1502-344		1	Axle, Drive - Right (inc. 21-22)
5	1603-889		2	Retainer, Spring		1502-345		1	Axle, Drive - Left (inc. 21-22)
6	8409-040		4	Screw, Cap	21	0423-844		2	● Clip, Retaining
7	0423-744		10	Nut, Lock	22	0436-276		2	● Repair Kit, Boot
8	0503-416	X	1	A-Arm, Upper Right - Black (inc. 9-12)	23	0505-576		1	Knuckle - Assembly - Right (inc. 24-25)
	0503-417	X	1	A-Arm, Upper Left - Black (inc. 9-12)		0505-577		1	Knuckle - Assembly - Left (inc. 24-25)
9	0403-207	X	4	● Bushing	24	1402-809		2	● Bearing
10	0403-080		2	● Axle	25	0423-423		2	● Ring, Retaining
11	0423-009		4	● Ring, Retaining	26	8409-030		4	Screw, Cap
12	0405-115		4	● Ball Joint	27	1406-034		1	Guard, Boot - Right - Black
13	0423-946	X	4	Screw, Self-Tapping		1406-035		1	Guard, Boot - Left - Black
14	1502-594	X	2	Clamp, Routing	28	0423-545		4	Screw, Shoulder
15	0423-334		2	Screw, Cap					
16	0503-376		1	A-Arm, Lower Right - Black (inc. 17-18 and two No. 11-12)					
	0503-377		1	A-Arm, Lower Left - Black (inc. 17-18 and two No. 11-12)					



## REAR SUSPENSION ASSEMBLY

0744-446

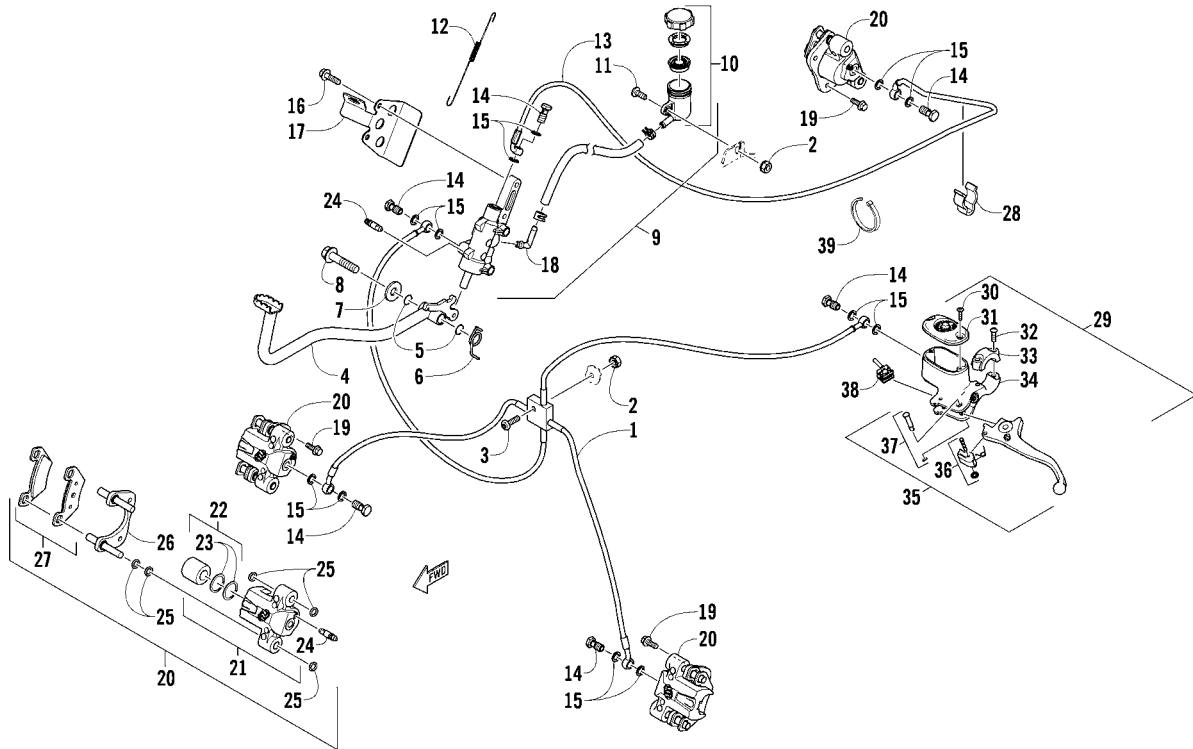
Ref	Part No.	New	Qty	Description	Ref	Part No.	New	Qty	Description
1	0404-150		2	Shock Absorber (inc. 2-4)	17	1502-343		2	Axle, Drive (inc. 18-19)
2	0403-182		2	● Bushing	18	0423-845		2	● Clip, Retaining
3	0603-955		4	● Bushing	19	0436-276		2	● Repair Kit, Boot
4	1603-219		2	● Sleeve	20	0423-545		4	Screw, Shoulder
5	1603-889		2	Retainer, Spring	21	1406-068		1	Guard, Boot - Rear - Right - Black
6	0404-171		2	Spring, Suspension - White		1406-069		1	Guard, Boot - Rear - Left - Black
7	0404-057		2	Cam, Spring Adjuster	22	0504-548		1	Knuckle - Assembly - Right (inc. 23-26)
8	8409-040		1	Screw, Cap - Right		0504-549		1	Knuckle - Assembly - Left (inc. 23-26)
	8409-050		1	Screw, Cap - Left	23	0423-423		2	● Ring, Retaining
9	0423-744		10	Nut, Lock	24	1402-809		2	● Bearing
10	0423-087		2	Washer	25	0403-213	X	4	● Axle
11	8408-820		2	Screw, Cap	26	0403-206	X	8	● Bushing
12	0504-582		1	A-Arm, Rear - Upper Right - Black (inc. 13-14)	27	8409-000		4	Screw, Cap
	0504-583		1	A-Arm, Rear - Upper Left - Black (inc. 13-14)	28	8428-002		4	Nut, Lock
13	0403-208	X	16	● Bushing					
14	0403-214	X	8	● Axle					
15	8409-075		8	Screw, Cap					
16	0504-572		1	A-Arm, Rear - Lower Right - Black (inc. 13-14)					
	0504-573		1	A-Arm, Rear - Lower Left - Black (inc. 13-14)					



## WHEEL AND TIRE ASSEMBLY

0744-545

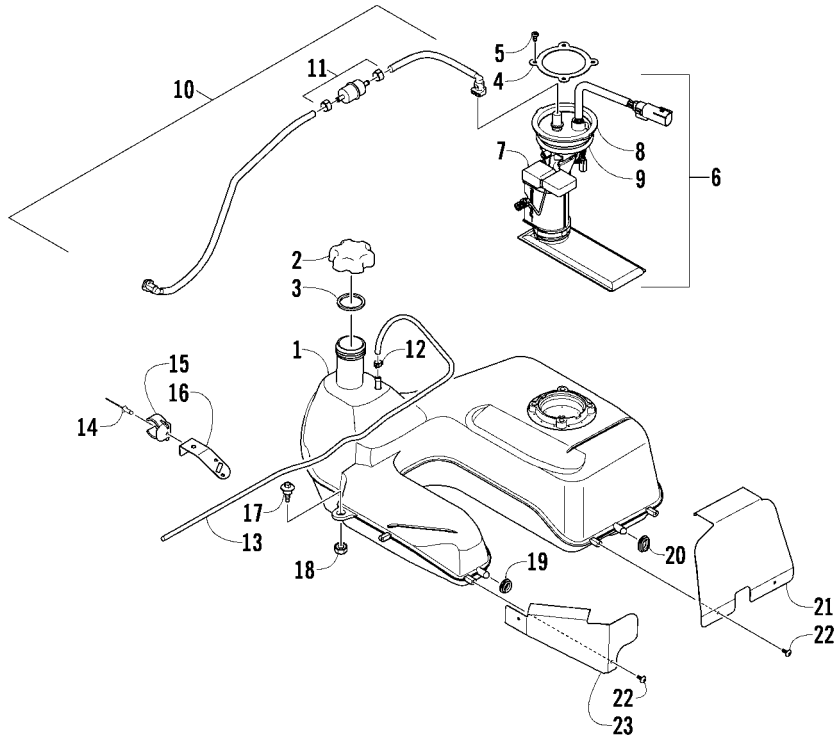
Ref	Part No.	New Qty	Description	Ref	Part No.	New Qty	Description
1	0423-557	12	Screw, Shoulder	7	0423-407	4	Pin, Cotter
2	1402-455	3	Disc, Brake	8	1402-732	4	Wheel - Aluminum
3	3323-100	2	Hub, Wheel - Front (inc. 4)	9	0423-618	16	Nut, Mounting - Wheel - Chrome
4	0402-974	16	● Stud	10	1402-736	4	Cap, Wheel
5	3323-100	1	Hub, Wheel - Rear - Right (inc. 4)	11	0402-064	4	Stem, Valve (inc. 12)
	3323-113	1	Hub, Wheel - Rear - Left (inc. 4)	12	0402-140	4	● Cap, Valve Stem
6	0423-607	4	Nut, Castle	13	1402-855	X 4	Tire



## HYDRAULIC BRAKE ASSEMBLY

0744-536

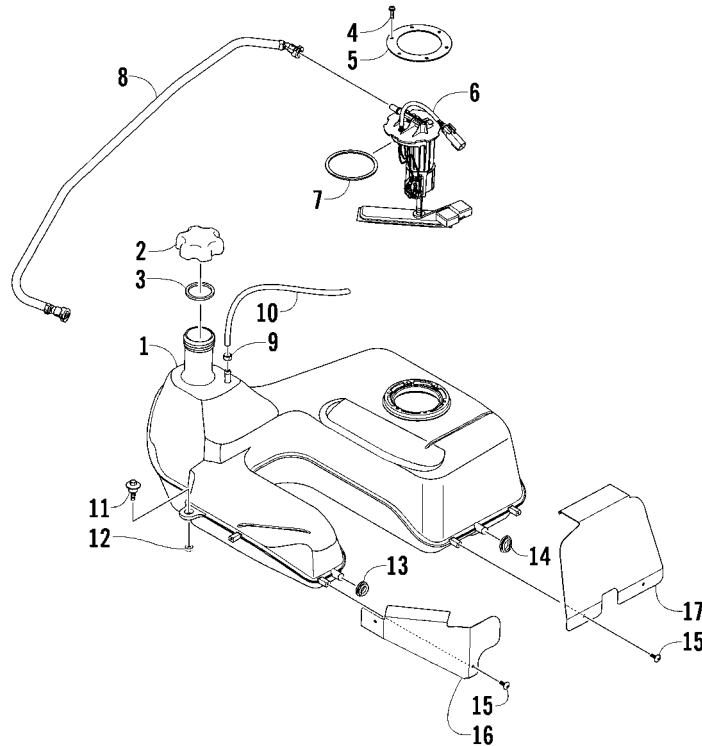
Ref	Part No.	New Qty	Description	Ref	Part No.	New Qty	Description
1	1502-015	1	Hose, Brake - Assembly	21	1436-160	1	● Housing, Caliper - Assembly - Right Front (inc. two No. 19 and 22-24)
2	0623-038	2	Nut w/Washer		1436-161	1	● Housing, Caliper - Assembly - Left Front (inc. two No. 19 and 22-24)
3	8476-625	1	Screw, Machine		1436-161	1	● Housing, Caliper - Assembly - Rear (inc. two No. 19 and 22-24)
4	1502-063	1	Lever, Brake	22	0502-606	3	●● Piston/Seal Set (inc. 23)
5	1602-213	2	O-Ring	23	0502-607	3	●●● Seal Set
6	0502-807	1	Spring, Brake Lever	24	0502-609	4	●● Valve, Bleed
7	8050-252	1	Washer	25	0502-608	3	● O-Ring, Guide - Set
8	8408-816	1	Screw, Cap	26	0502-960	3	● Bracket Assembly
9	1502-293	1	Brake Assembly (inc. 10)	27	1502-694	X	● Pad, Brake - Set
10	1502-155	1	● Reservoir, Brake w/Clamp	28	1502-115	2	Clip, Brake Hose
11	8476-616	1	Screw, Machine	29	0502-914	1	Brake Assembly (inc. 30-38)
12	0502-785	1	Spring, Brake Switch	30	0502-566	1	● Screw, Machine - Kit
13	1502-593	X	Hose, Brake	31	0502-868	1	● Cover, Reservoir
14	0423-413	6	Bolt, Banjo-Fitting	32	0502-568	1	● Screw, Machine - Kit
15	0423-178	12	Washer, Crush	33	0502-869	1	● Clamp, Master Cylinder
16	8408-625	2	Screw, Cap	34	0502-704	1	● Master Cylinder Assembly
17	1502-179	1	Bracket, Switch	35	0502-866	1	● Lever Assembly - Kit (inc. 36-37)
18	1502-296	1	Adapter, Hose	36	0502-867	1	●● Lock, Brake Lever - Kit
19	8408-821	6	Screw, Cap	37	0502-580	1	●● Lever Pin - Kit
20	1502-730	X	Caliper, Brake - Right Front (inc. two No. 19 and 21-27)	38	0502-564	1	● Switch, Brake
	1502-731	X	Caliper, Brake - Left Front (inc. two No. 19 and 21-27)	39	0123-788	AR	Tie, Cable - 8 in.
	1502-731	X	Caliper, Brake - Rear (inc. two No. 19 and 21-27)				



**GAS TANK ASSEMBLY (Up to VIN: 4UF10ATV3AT202941 and VIN: 4UF10ATV7AT203026 to 4UF10ATV3AT203037)**

0744-785

Ref	Part No.	New Qty	Description	Ref	Part No.	New Qty	Description
1	0570-159	1	Tank, Gas - Assembly (inc. 2-5)	13	0410-070	AR	Hose, Gasline - 25 ft
2	0470-438	1	●● Cap, Gas Tank (inc. 3)	14	8060-628	1	Rivet
3	0109-733	1	●● Gasket, Gas Tank Cap	15	1670-826	1	Bracket, Fuel Filter
4	0470-606	1	● Plate, Mounting - Fuel Pump	16	0470-827	1	Bracket, Filter Mounting
5	8476-612	4	● Screw, Self-Tapping	17	0423-732	2	Screw, Shoulder
6	0570-271	1	Pump, Fuel - Assembly (inc. 7-9)	18	0623-038	1	Nut w/Washer
7	0570-252	1	● Sensor, Fuel Level - Kit (inc. 8-9)	19	0423-460	1	Grommet
8	0470-614	1	●● Seal, Fuel Pump	20	0423-806	1	Grommet
9	0470-613	1	●● Seal, Fuel Pump	21	0470-710	1	Shield, Heat - Gas Tank - Rear
10	0570-243	1	Hose, Gasline - Assembly (inc. 11)	22	0623-797	4	Screw, Self-Tapping
11	0570-246	1	● Filter, Fuel - Kit	23	0470-709	1	Shield, Heat - Gas Tank - Front
12	0423-688	1	Clamp, Hose				

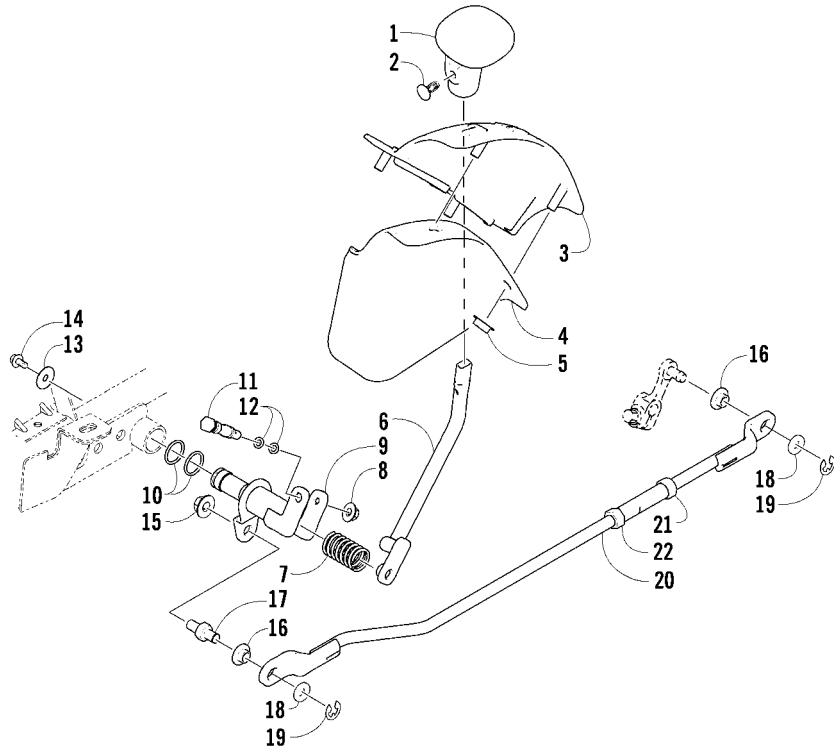


**GAS TANK ASSEMBLY (VIN: 4UF10ATV3AT202941 to 4UF10ATV7AT203026 and VIN: 4UF10ATV5AT203038 and Up)**

0744-546

Ref	Part No.	New	Qty	Description	Ref	Part No.	New	Qty	Description
1	0570-307	X	1	Tank, Gas - Assembly (inc. 2-5)	10	0410-070		AR	Hose, Gasline - 25 ft
2	0470-438		1	● Cap, Gas Tank (inc. 3)	11	0423-732		2	Screw, Shoulder
3	0109-733		1	●● Gasket, Gas Tank Cap	12	0623-038		1	Nut w/Washer
4	0423-898	X	6	● Screw, Self-Tapping	13	0423-460		1	Grommet
5	2670-042	X	1	● Plate, Retaining	14	0423-806		1	Grommet
6	0570-322	X	1	Pump, Fuel - Assembly (inc. 7)	15	0623-797		4	Screw, Self-Tapping
7	0470-838	X	1	● Seal	16	0470-709		1	Shield, Heat - Gas Tank - Front
8	0570-317	X	1	Hose, Gasline - Assembly	17	0470-710		1	Shield, Heat - Gas Tank - Rear
9	0423-688		1	Clamp, Hose					

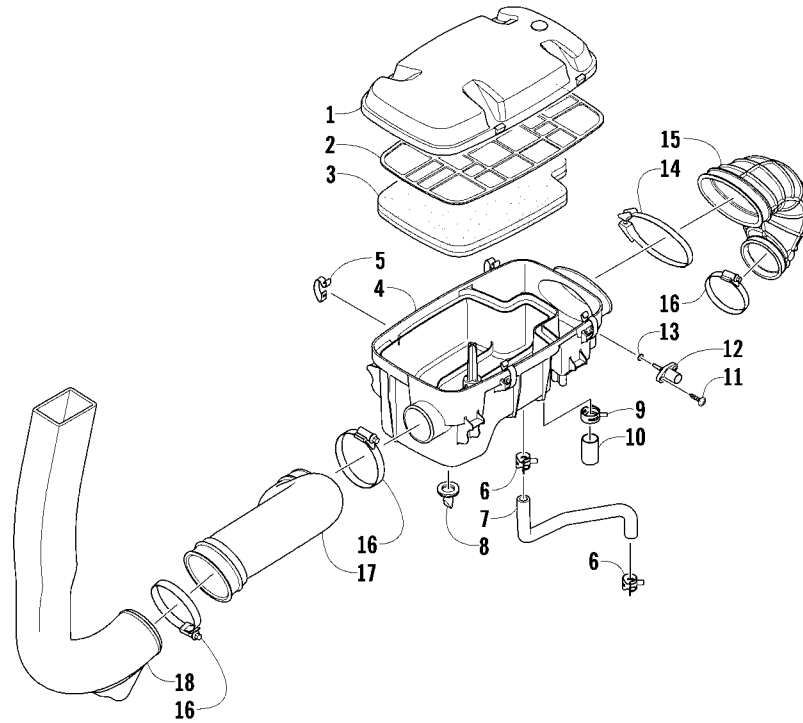




## SHIFT LEVER ASSEMBLY

0742-508

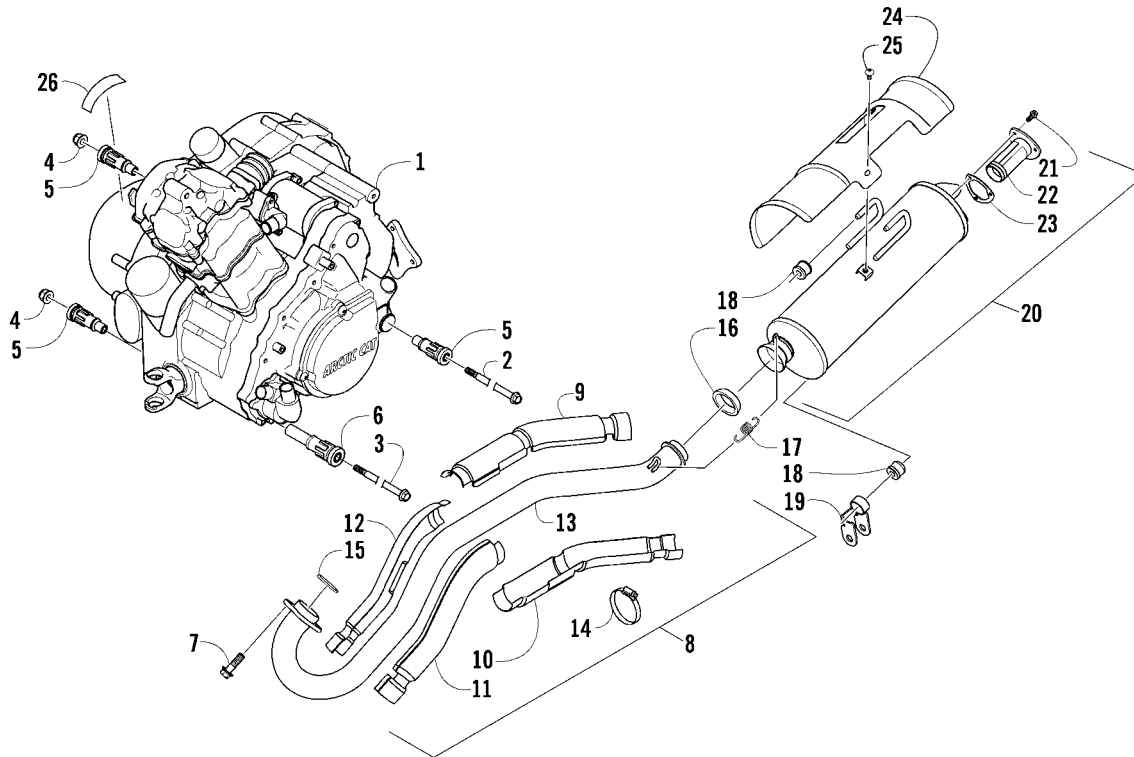
Ref	Part No.	New Qty	Description	Ref	Part No.	New Qty	Description
1	0402-843	1	Knob, Shift	12	0423-182	2	O-Ring
2	0423-345	1	Clip, Retaining	13	0423-087	1	Washer
3	1402-576	1	Plate, Shift	14	8408-812	1	Screw, Cap
4	2406-345	1	Shield, Shift Plate	15	8424-802	1	Nut
5	0423-357	4	Nut, Stamped	16	0423-091	2	Bushing
6	0502-659	1	Lever, Shift	17	1402-621	1	Pin, Mounting - Shift Linkage
7	0402-678	1	Spring, Shift Lever	18	0623-094	2	Washer
8	8424-602	1	Nut	19	0423-169	2	E-Ring
9	1502-332	1	Actuator, Shift	20	1502-200	1	Linkage, Shift - Assembly (inc. 21-22)
10	0423-299	2	O-Ring	21	0623-294	1	● Nut, Hex - Right-Hand Thread
11	0402-675	1	Axle, Pivot	22	0123-917	1	● Nut, Hex - Left-Hand Thread



## AIR INTAKE ASSEMBLY

0744-784

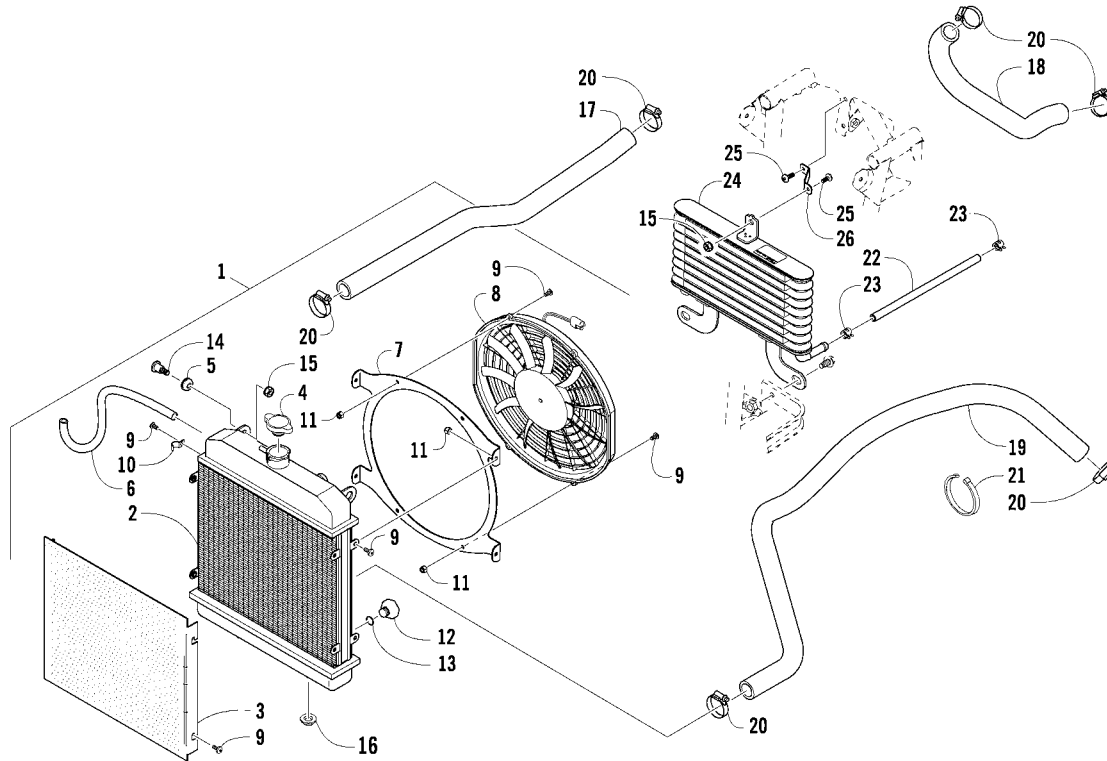
Ref	Part No.	New Qty	Description	Ref	Part No.	New Qty	Description
1	0470-877	1	Cover, Air Intake	10	0423-766	1	Cap, Drain
2	0470-560	1	Screen, Air Filter	11	0423-342	2	Screw, Self-Tapping
3	0470-558	1	Filter, Air	12	0430-055	1	Sensor, Air Temperature (inc. 13)
4	0470-728	1	Housing, Air Intake	13	5507-224	1	● O-Ring
5	0423-455	4	Clip, Spring	14	0423-554	1	Clamp
6	1623-281	2	Clamp, Hose	15	0470-511	1	Boot, Air Intake
7	0410-172	1	Hose, Vent	16	0423-019	3	Clamp
8	0470-858	1	Valve, Drain	17	0470-529	1	Duct, Air Intake
9	1623-287	1	Clamp	18	0413-210	1	Duct, Air Intake



## ENGINE AND EXHAUST

0743-292

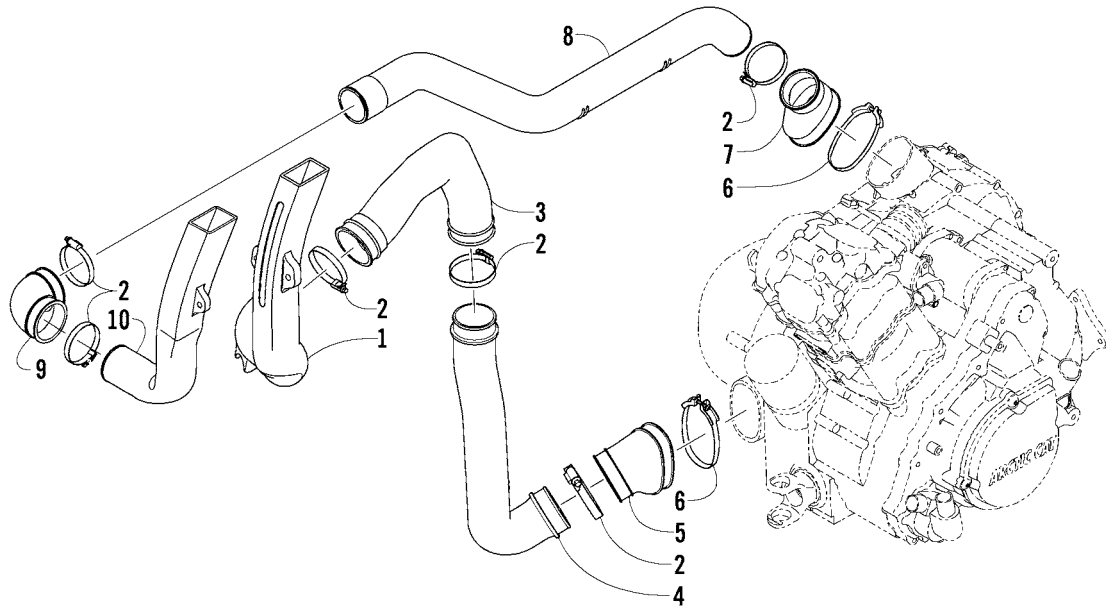
Ref	Part No.	New	Qty	Description	Ref	Part No.	New	Qty	Description
1	0800-101	X	1	Engine, A700DBH1	14	0423-317		4	● Clamp
2	0423-451		1	Screw, Cap	15	0412-338		1	Gasket, Exhaust
3	0423-405		1	Screw, Cap	16	0412-375		1	Seal, Exhaust
4	8428-002		2	Nut, Lock	17	0612-668		2	Spring, Extension
5	0801-129		3	Mount, Engine	18	0412-215		3	Bushing
6	0801-122		1	Mount, Engine	19	1506-732		1	Channel, Support
7	8408-820		2	Screw, Cap	20	0512-355		1	Muffler - Assembly (inc. 21-23)
8	0512-345		1	Pipe, Exhaust - Assembly (inc. 9-14)	21	8408-616		3	● Screw, Cap
9	0412-350		1	● Shield, Exhaust Pipe - Outer - Rear	22	0512-219		1	● Arrestor, Spark - Assembly
10	0412-339		1	● Shield, Exhaust Pipe - Inner - Rear	23	0412-313		1	● Gasket
11	0412-349		1	● Shield, Exhaust Pipe - Inner - Front	24	0412-373		1	Cover, Muffler
12	0412-348		1	● Shield, Exhaust Pipe - Outer - Front	25	8477-610		3	Screw, Machine
13	0512-344		1	● Pipe, Exhaust	26	0411-426		1	Decal, Warning - Clutch Cover



## COOLING ASSEMBLY

0743-841

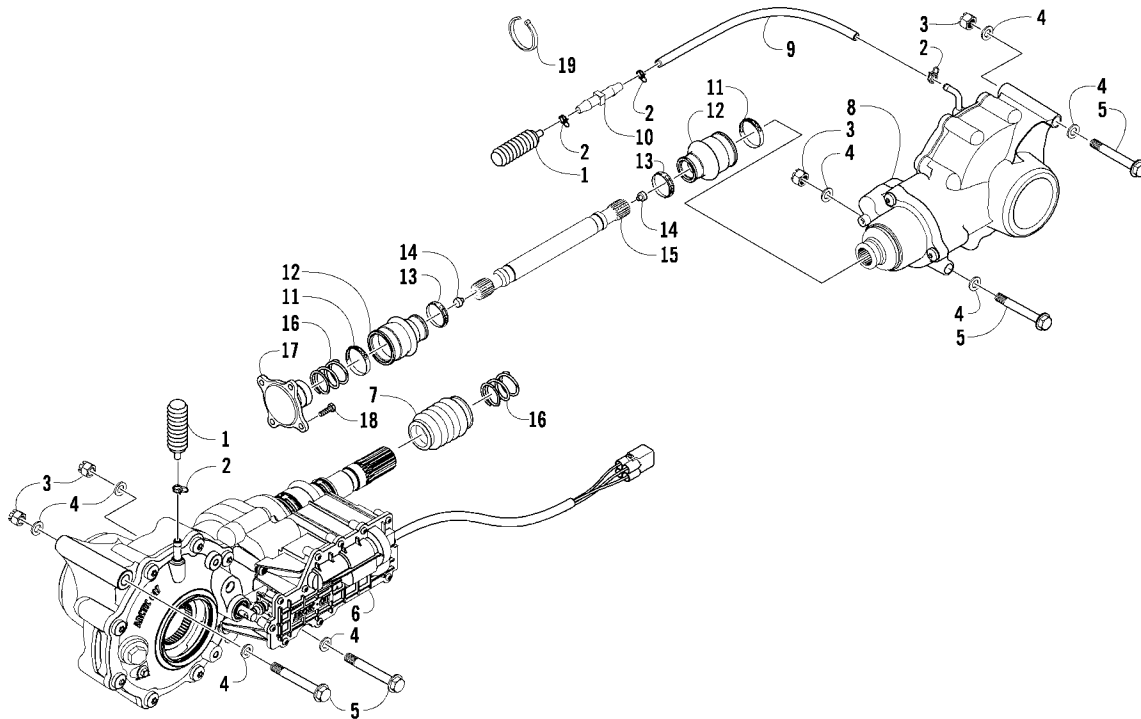
Ref	Part No.	New Qty	Description	Ref	Part No.	New Qty	Description
1	0413-239	1	Radiator Assembly (inc. 2-13)	14	0423-484	2	Screw, Shoulder
2	0413-205	1	● Radiator	15	0623-038	4	Nut w/Washer
3	0413-007	1	● Screen, Radiator	16	0423-028	2	Bushing, Stem
4	0413-002	1	● Cap, Radiator	17	0410-002	1	Hose, Coolant - Upper
5	0423-030	2	● Grommet	18	0410-022	1	Hose, Coolant - Crossover
6	0610-016	AR	● Hose - 25 ft	19	0410-041	1	Hose, Coolant - Lower
	0610-015	AR	● Hose - 100 ft	20	0423-496	6	Clamp, Hose
7	0413-240	1	● Bracket, Retaining	21	0623-751	AR	Tie, Cable - 11.75 in.
8	0413-123	1	● Fan, Cooling	22	0410-127	2	Hose, Oil Cooler
9	8475-512	12	● Screw, Machine	23	0423-632	4	Clamp, Hose
10	0423-351	1	● Clamp, Wire	24	0413-211	1	Cooler, Oil
11	8422-502	8	● Nut, Lock	25	8476-612	2	Screw, Machine
12	0413-195	1	● Plug, Drain	26	0513-022	1	Bracket, Mounting - Oil Cooler
13	1602-213	1	● O-Ring				



## CASE/BELT COOLING ASSEMBLY

0744-547

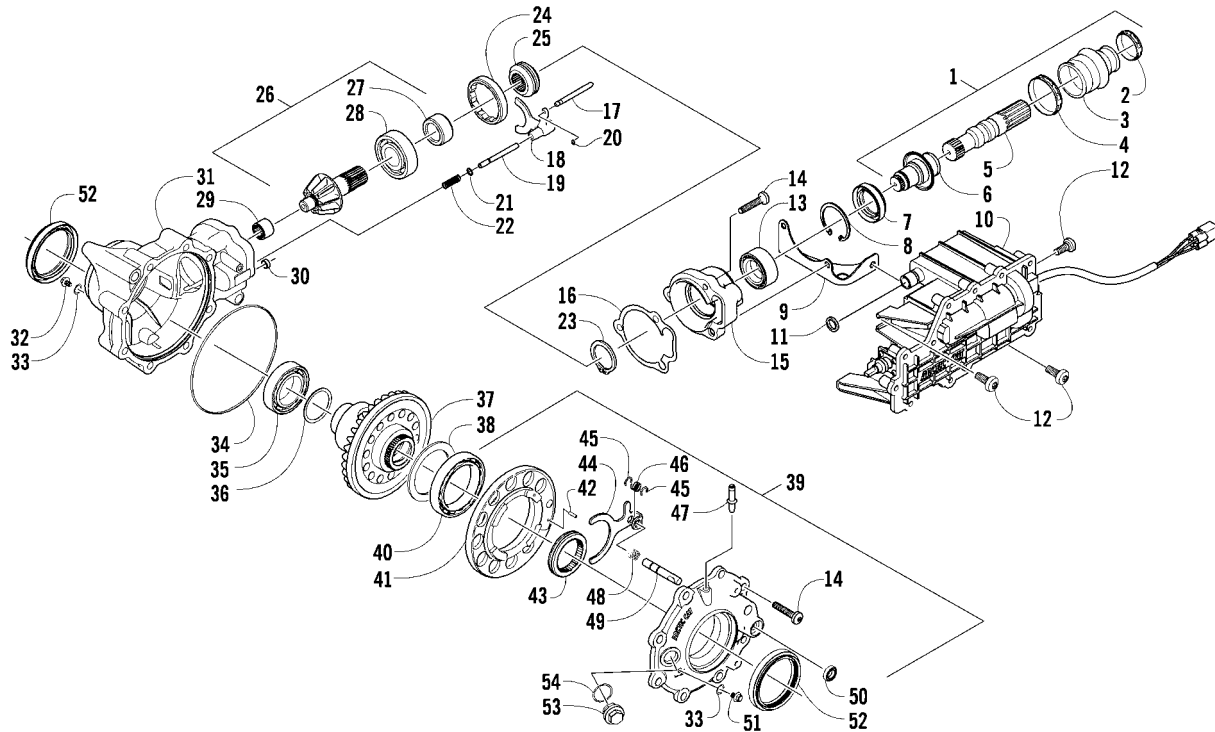
Ref	Part No.	New	Qty	Description	Ref	Part No.	New	Qty	Description
1	0513-035		1	Duct, Intake - Front	6	0423-578		2	Clamp
2	0423-019		6	Clamp	7	0413-049		1	Boot, Air Out
3	0413-092		1	Boot, Intake	8	0513-033		1	Duct, Air Out - Rear
4	0413-250	X	1	Duct, Intake - Lower	9	0413-098		1	Boot, Air Out
5	0413-252	X	1	Boot, Intake	10	0513-034		1	Duct, Air Out - Front



## DRIVE TRAIN ASSEMBLY

0743-966

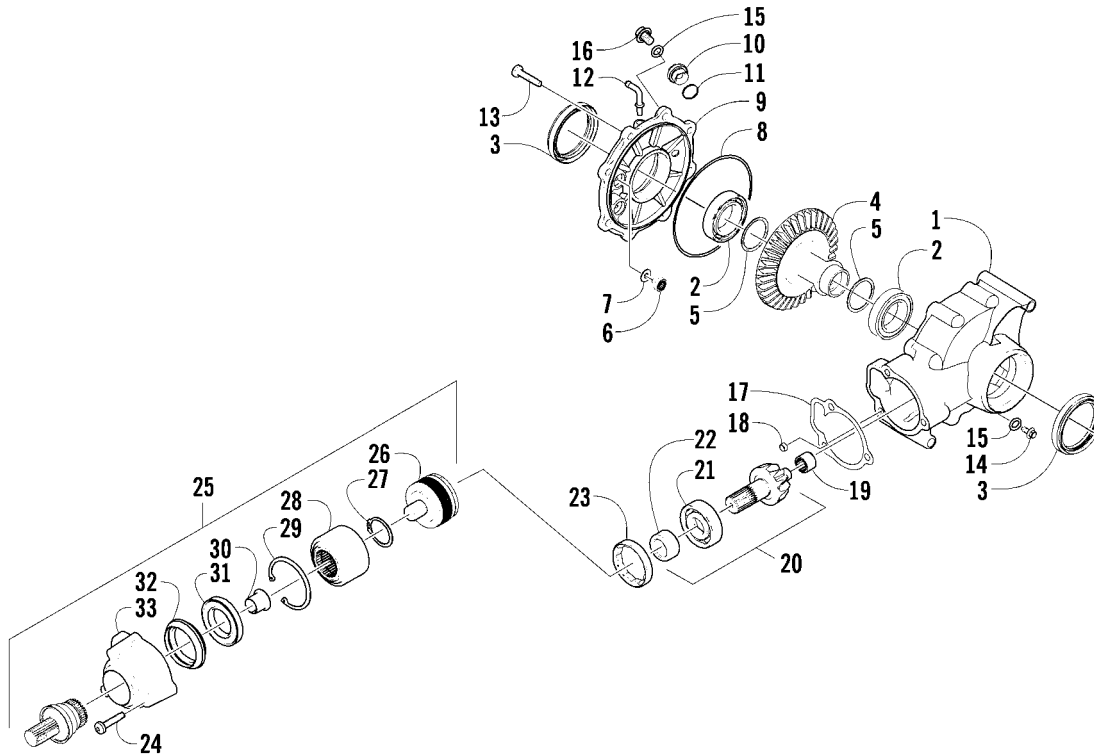
Ref	Part No.	New Qty	Description	Ref	Part No.	New Qty	Description
1	1402-620	2	Bladder, Gearcase	11	0423-393	2	Clamp
2	0423-315	4	Clamp, Hose	12	0402-985	2	Boot
3	8428-002	4	Nut, Lock	13	0423-411	2	Clamp
4	0423-426	8	Washer	14	0673-618	2	Bumper, Propeller Shaft
5	0423-404	4	Screw, Cap	15	1402-233	1	Shaft, Propeller
6	1502-504	1	Gearcase, Front	16	1402-026	2	Spring
7	0402-966	1	Boot, Shaft	17	0402-950	1	Flange, Output
8	1502-505	1	Gearcase, Rear	18	8408-820	4	Screw, Cap
9	0410-048	AR	Hose, Vent	19	0123-788	AR	Tie, Cable - 8 in.
10	0470-702	1	Fitting, Vent				



## FRONT DRIVE GEARCASE ASSEMBLY

0743-250

Ref	Part No.	New	Qty	Description	Ref	Part No.	New	Qty	Description
-	1502-504		1	Complete Front Drive Gearcase Assembly	31	0502-514		1	Housing, Gearcase
1	1502-083		1	Shaft, Propeller - Assembly (inc. 2-6)	32	1402-210		1	Plug, Magnetic (inc. one No. 33)
2	0423-411		1	● Clamp	33	0423-153		2	● O-Ring
3	0402-985		1	● Boot, Propeller Shaft	34	0423-149		1	O-Ring
4	0423-393		1	● Clamp	35	0402-393		1	Bearing
5	1402-045		1	● Shaft, Output	36	0402-405		AR	Shim
6	1502-085		1	● Shaft, Input		0402-406		AR	Shim
7	1402-011		1	Seal		0402-407		AR	Shim
8	0423-423		1	Ring, Retaining		0402-408		AR	Shim
9	1502-237		1	Bracket, Actuator		0402-409		AR	Shim
10	0502-585		1	Actuator	37	1502-556		1	Gear, Ring - 36T
11	0423-892		1	O-Ring	38	1402-074		AR	Shim
12	0423-396		3	Screw, Self-Tapping		1402-075		AR	Shim
13	1402-043		1	Bearing		1402-076		AR	Shim
14	0423-118		11	Screw, Self-Tapping		1402-077		AR	Shim
15	0502-528		1	Housing, Pinion		1402-078		AR	Shim
16	0402-947		1	Gasket, Flange	39	1502-389		1	Cover, Gearcase (inc. one No. 33, 40-51, and one No. 52)
17	0402-997		1	Shaft, Selector	40	1402-053		1	● Bearing
18	0402-998		1	Fork, Selector	41	0502-413		1	● Flange, Bearing
19	0402-417		1	Shaft, Shuttle	42	1402-079		1	● Pin, Parallel
20	0423-402		1	Ring, Retaining	43	1402-042		1	● Collar, Sliding
21	0423-147		1	O-Ring	44	1402-054		1	● Fork
22	0402-999		1	Spring, Return	45	1402-058		2	● Ring, Retaining
23	0423-417		1	Ring, Retaining	46	1402-057		1	● Spring
24	0402-357		1	Collar, Lock	47	1402-104		1	● Fitting
25	0402-413		1	Coupler, Drive	48	1402-063		1	● Spring
26	0502-649		1	Gear, Pinion - Assembly - 9T (inc. 27-28)	49	1402-656		1	● Shaft, Lock
27	0402-336		1	● Collar, Retaining	50	1402-056		1	● Seal
28	0402-327		1	● Bearing	51	1402-211		1	● Plug, Oil Level (inc. one No. 33)
29	0402-328		1	Bearing	52	1402-713		2	● Seal
30	0402-411		1	Pin, Dowel	53	0402-333		1	Plug, Fill (inc. 54)
					54	0423-154		1	● O-Ring

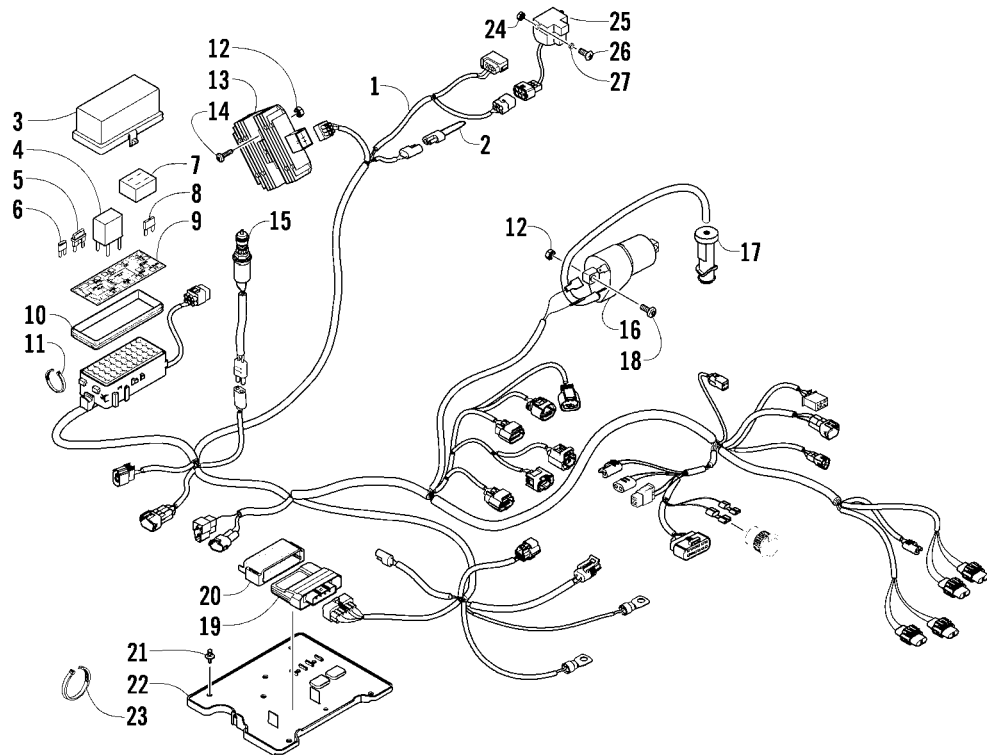


## REAR DRIVE GEARCASE ASSEMBLY

0742-972

Ref	Part No.	New Qty	Description	Ref	Part No.	New Qty	Description
-	1502-505	1	Complete Rear Drive Gearcase Assembly	13	0423-118	8	Screw, Self-Tapping
1	1502-317	1	Housing, Gearcase	14	1402-210	1	Plug, Magnetic (inc. one No. 15)
2	0402-393	2	Bearing	15	0423-153	2	● O-Ring
3	1402-713	2	Seal	16	1402-211	1	Plug, Oil Level (inc. one No. 15)
4	1402-245	1	Gear, Ring - 36T	17	0402-947	1	Gasket
5	0402-405	AR	Shim	18	0402-411	1	Pin, Dowel
	0402-406	AR	Shim	19	0402-328	1	Bearing
	0402-407	AR	Shim	20	0502-649	1	Gear, Pinion - Assembly - 9T (inc. 21-22)
	0402-408	AR	Shim	21	0402-327	1	● Bearing
	0402-409	AR	Shim	22	0402-336	1	● Collar, Retaining
6	0402-326	1	Button, Thrust	23	0402-331	1	Collar, Lock
7	0402-429	AR	Shim	24	0423-834	3	Screw, Self-Tapping
	0402-430	AR	Shim	25	1502-544	1	Shaft, Input (inc. 26-33)
	0402-431	AR	Shim	26	1502-287	1	● Cartridge, Clutch - Assembly
	0402-432	AR	Shim	27	0423-799	1	● Ring, Retaining - External
	0402-433	AR	Shim	28	1402-682	1	● Basket, Clutch
8	0423-149	1	O-Ring	29	0423-798	1	● Ring, Retaining - Internal
9	1502-082	1	Cover, Gearcase	30	1402-678	1	● Bearing, Flange
10	0402-333	1	Plug, Fill (inc. 11)	31	1402-677	1	● Bearing
11	0423-154	1	● O-Ring	32	1402-687	1	● Seal
12	1402-102	1	Fitting	33	1502-285	1	● Housing, Input

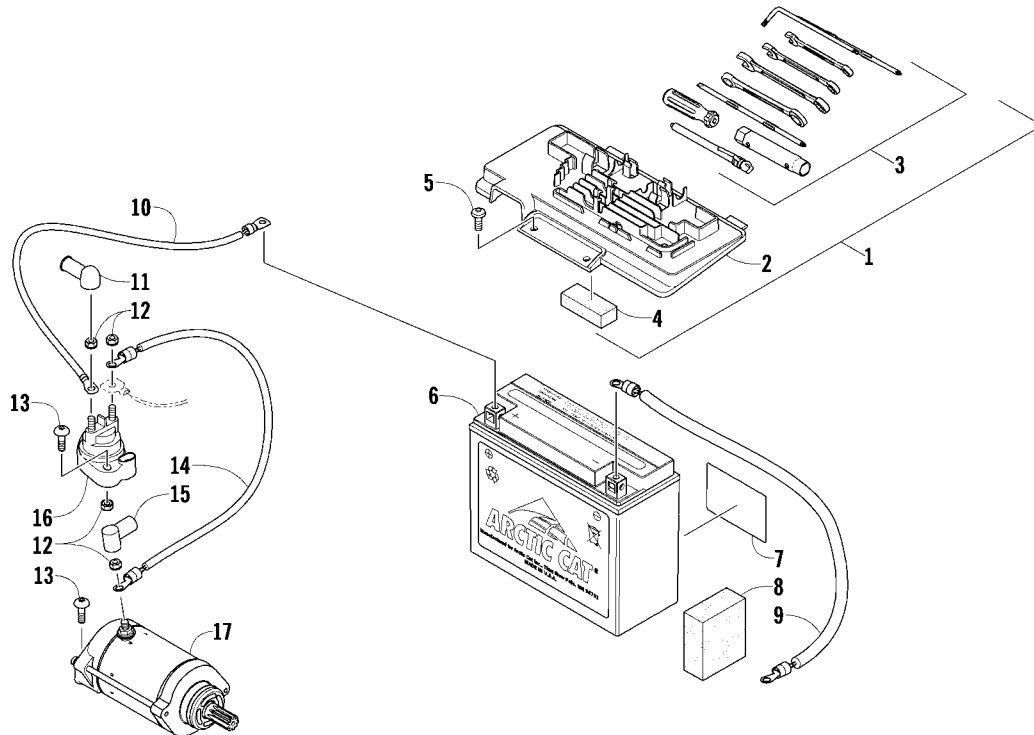




## WIRING HARNESS ASSEMBLY

0744-548

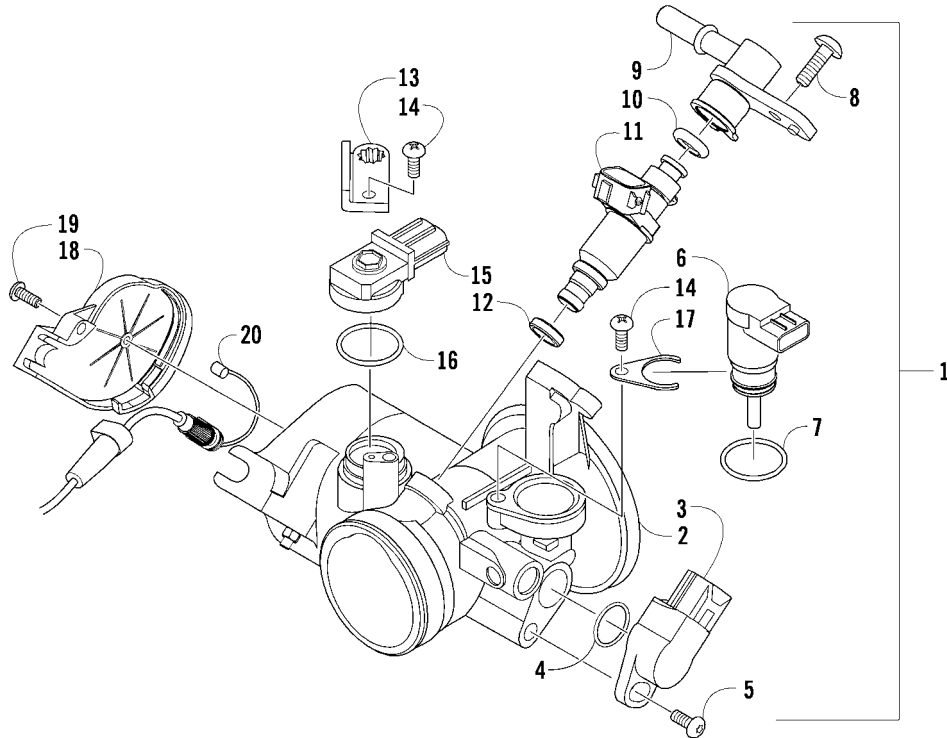
Ref	Part No.	New	Qty	Description	Ref	Part No.	New	Qty	Description
1	0486-328	X	1	Harness, Main (inc. 2-10)	14	8476-625		2	Screw, Machine
2	0486-164		1	● Tether, Accessory Connector	15	0409-089		1	Switch, Brake - Assembly
3	0430-085	X	1	● Cover, Fuse Block	16	0824-043		1	Coil, Ignition
4	0430-045		5	● Relay (4-Pin) - 20 Amp	17	0824-049		1	Cap, Spark Plug
5	0430-034		1	● Diode	18	8476-620		2	Screw, Machine
6	0430-087		1	● Breaker, Circuit - 10 Amp	19	0530-018		1	ECU
7	0430-037		1	● Holder, Fuse	20	0430-076		1	Cushion, ECU
8	0430-032		5	● Fuse - 10 Amp	21	0623-362		3	Rivet, Reinstallable
	0430-031		3	● Fuse - 15 Amp	22	2406-643		1	Tray, Electrical
	0430-030		2	● Fuse - 30 Amp	23	0123-903	AR		Tie, Cable - 11.5 in.
9	2411-079	X	1	● Decal, Fuse Block	24	0423-493		2	Nut w/Washer
10	0430-086	X	1	● Seal	25	0409-064		1	Switch, Tilt Sensor
11	0123-788	AR		Tie, Cable - 8 in.	26	8468-425		2	Screw, Machine
12	0623-038		2	Nut w/Washer	27	0123-802		2	Washer
13	0824-037		1	Regulator, Voltage					



## BATTERY AND STARTER ASSEMBLY

0744-437

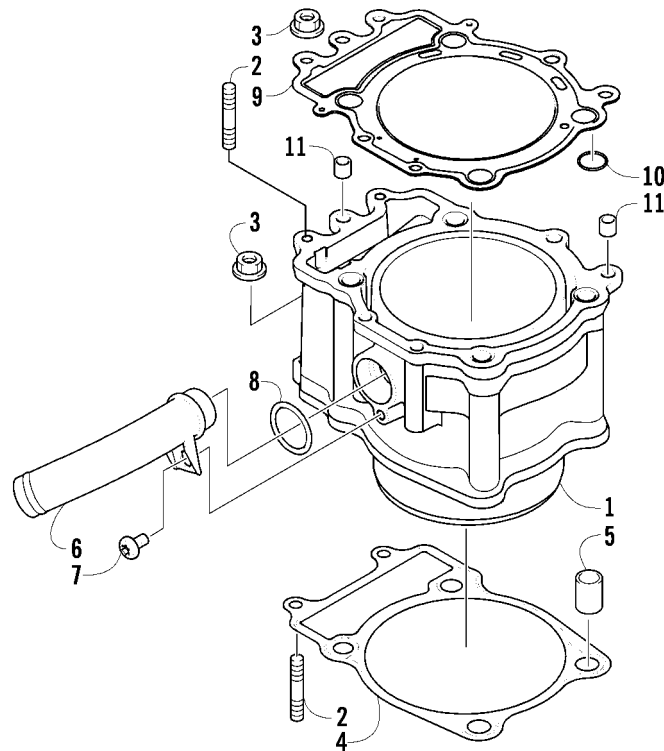
Ref	Part No.	New Qty	Description	Ref	Part No.	New Qty	Description
1	5991-655	1	Battery Cover/Tool Tray Assembly (inc. 2-4)	9	0445-070	1	Cable, Battery/Ground
2	2406-815	1	● Cover, Battery	10	0445-062	1	Cable, Battery/Solenoid
3	0444-122	1	● Kit, Tool	11	0645-327	1	Boot, Terminal
4	0417-016	1	● Pad, Battery	12	0623-038	5	Nut w/Washer
5	8476-620	2	Screw, Machine	13	8476-625	4	Screw, Machine
6	0645-480	1	Battery Assembly (inc. 7)	14	0445-064	1	Cable, Solenoid/Starter (inc. 15)
7	0645-430	1	● Decal, Warning	15	0645-019	1	● Boot, Terminal
8	0417-012	1	Foam, Battery	16	0445-058	1	Solenoid
				17	0825-013	1	Motor, Starter - Assembly



## THROTTLE BODY ASSEMBLY

0743-846

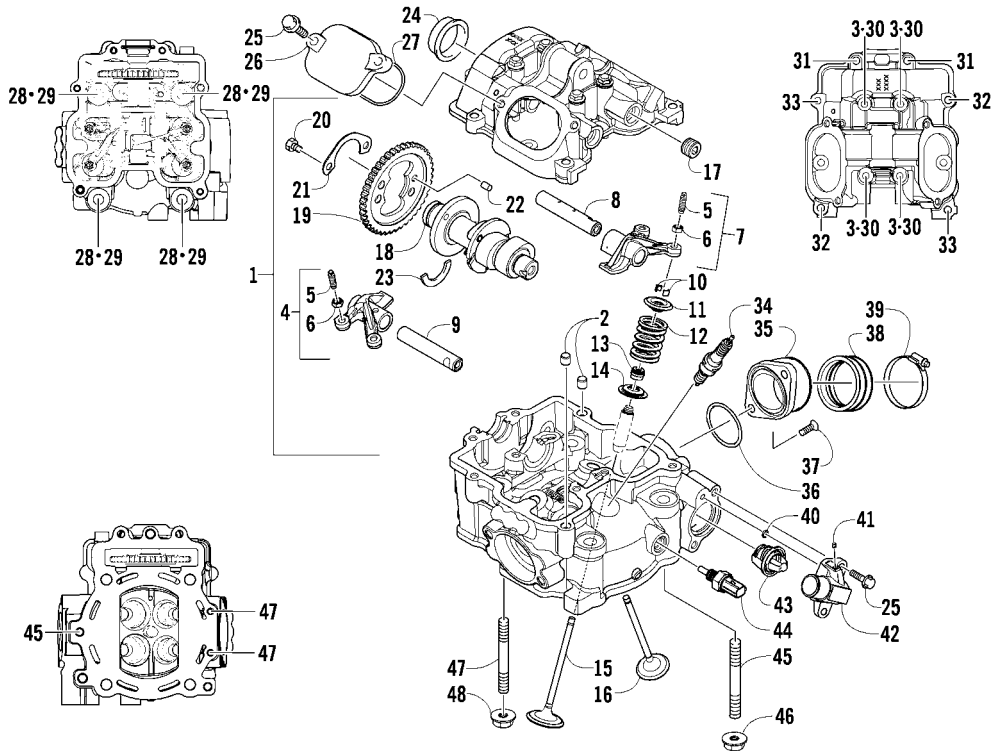
Ref	Part No.	New Qty	Description	Ref	Part No.	New Qty	Description
1	0470-753	1	Throttle - Assembly (inc. 2-19)	11	0470-762	1	● Injector, Fuel
2	-	1	● Throttle Body - Not a Service Part	12	0470-768	1	● Seal
3	0430-072	1	● Sensor, Throttle Position	13	5507-227	1	● Bracket, MAP Sensor
4	5507-234	1	● O-Ring	14	5507-117	2	● Screw, Machine
5	5507-231	1	● Screw, Machine	15	0430-073	1	● Sensor, MAP
6	0430-074	1	● Valve, ISC	16	5507-232	1	● O-Ring
7	5507-233	1	● O-Ring	17	5507-229	1	● Plate, ISC Valve
8	5507-238	1	● Screw, Machine	18	5507-223	1	● Cover
9	0470-687	1	● Rail, Fuel	19	5507-037	1	● Screw, Machine
10	0470-767	1	● O-Ring	20	0487-065	1	Cable, Throttle



### CYLINDER ASSEMBLY

0743-952

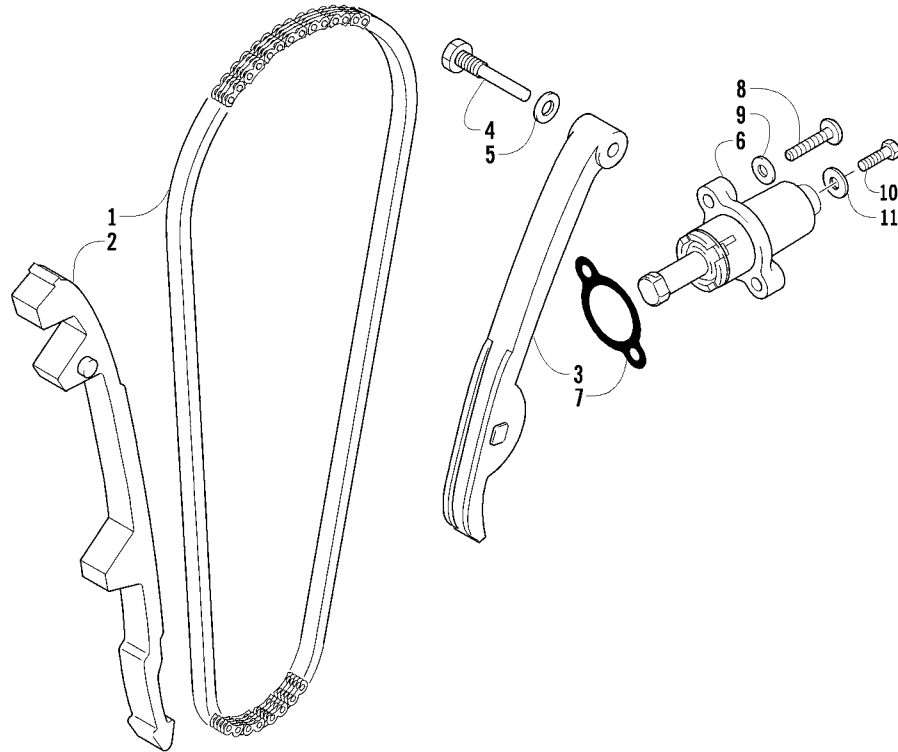
Ref	Part No.	New Qty	Description	Ref	Part No.	New Qty	Description
1	0804-024	1	Cylinder	7	8468-612	1	Screw, Machine
2	0827-002	4	Bolt, Stud	8	0830-007	1	O-Ring
3	8424-604	4	Nut	9	0830-112	1	Gasket, Cylinder Head
4	0830-111	1	Gasket, Base	10	0830-113	4	O-Ring
5	0829-002	2	Pin, Dowel	11	0829-001	2	Pin, Dowel
6	0804-047	1	Union, Coolant Hose				



## CYLINDER HEAD AND CAMSHAFT/VALVE ASSEMBLY

0743-872

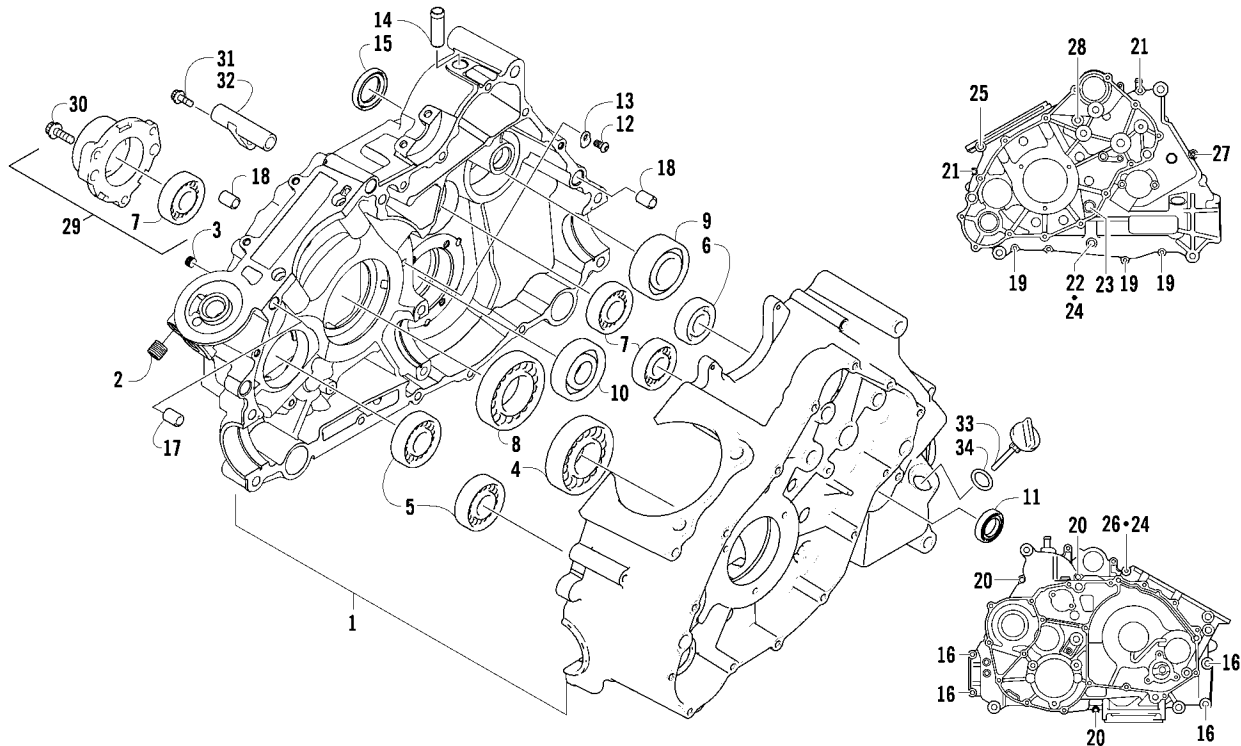
Ref	Part No.	New Qty	Description	Ref	Part No.	New Qty	Description
1	0808-082	1	Head, Cylinder - Assembly (inc. 2-17)	24	0808-077	1	Plug, Cylinder Head
2	0829-001	2	● Pin, Dowel	25	0826-007	6	Screw, Cap
3	0826-001	4	● Screw, Cap	26	0808-003	2	Cap, Inspection
4	0809-205	1	● Arm, Valve Rocker - Exhaust (inc. two No. 5-6)	27	0830-167	2	O-Ring
5	0809-033	4	●● Screw, Adjuster	28	0808-037	4	Screw, Cap
6	0827-007	4	●● Nut	29	0830-147	4	Washer
7	0809-202	1	● Arm, Valve Rocker - Intake (inc. two No. 5-6)	30	0830-107	4	Gasket
8	0809-007	1	● Shaft, Rocker Arm - Intake	31	0826-002	2	Screw, Cap
9	0809-008	1	● Shaft, Rocker Arm - Exhaust	32	0826-005	2	Screw, Cap
10	0809-014	8	● Cotter, Valve	33	0826-006	2	Screw, Cap
11	0809-013	4	● Retainer, Spring	34	0217-799	1	Spark Plug - CPR8E
12	0809-138	4	● Spring, Valve	35	0470-668	1	Flange, Intake Manifold
13	0830-016	4	● Seal, Oil	36	0830-090	1	O-Ring
14	0809-006	4	● Seat, Spring - Valve	37	0826-008	2	Screw, Machine
15	0809-039	2	● Valve, Intake	38	0470-669	1	Boot
16	0809-040	2	● Valve, Exhaust	39	0423-066	1	Clamp
17	0831-041	2	● Plug, Shaft	40	0830-168	1	O-Ring
18	0809-245	1	Camshaft	41	0830-169	1	Plug
19	0809-002	1	Sprocket	42	0808-113	1	Cover, Thermostat
20	0826-034	2	Screw, Cap	43	0808-078	1	Thermostat
21	0828-004	1	Plate, Retainer	44	0808-124	1	Sensor, Engine Coolant Temperature
22	0829-008	1	Pin, Dowel	45	0827-031	1	Bolt, Stud
23	0809-003	1	C-Ring	46	8424-804	1	Nut
				47	0827-054	2	Bolt, Stud
				48	8424-604	2	Nut



### CAM CHAIN ASSEMBLY

0732-308

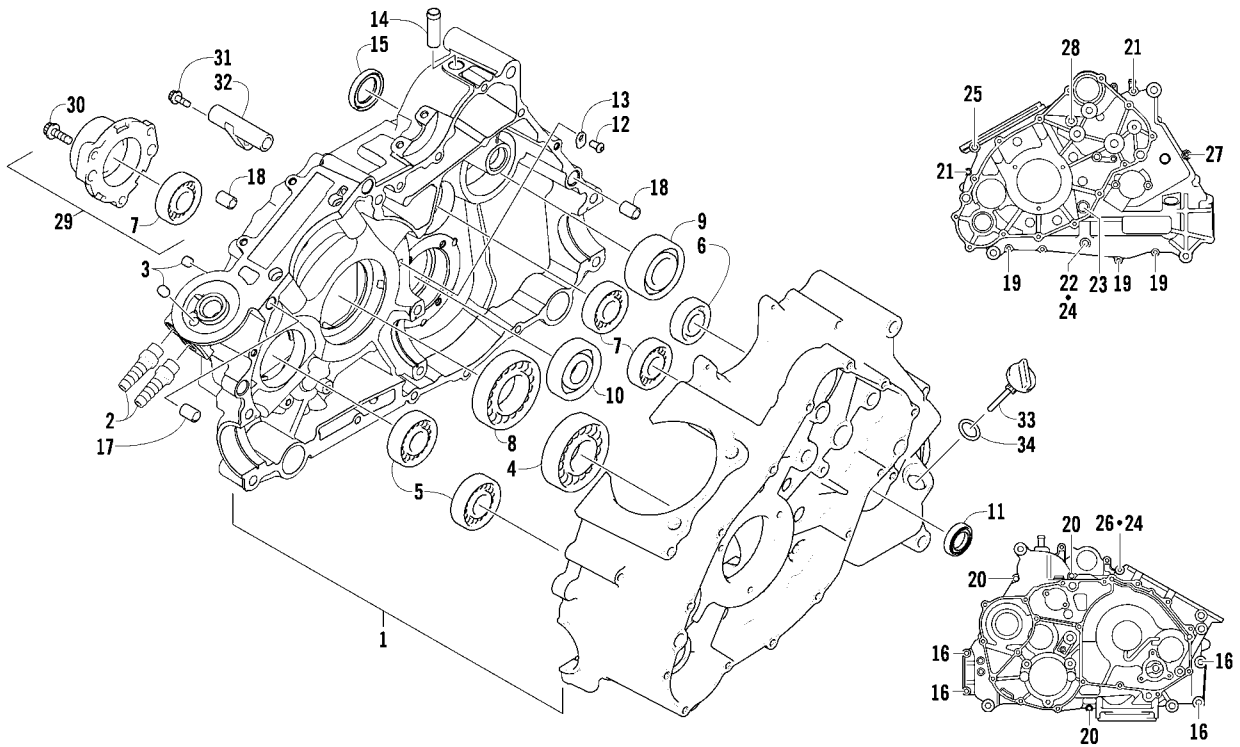
Ref	Part No.	New Qty	Description	Ref	Part No.	New Qty	Description
1	0810-001	1	Chain, Cam	7	0830-018	1	Gasket
2	0810-002	1	Guide, Chain	8	8468-625	2	Screw, Machine
3	0810-003	1	Tensioner, Chain	9	0830-107	2	Gasket
4	0826-036	1	Pivot, Tensioner	10	8400-610	1	Screw, Cap
5	0830-025	1	Washer, Crush	11	0828-129	1	Washer
6	0810-004	1	Adjuster, Tensioner - Assembly				



### CRANKCASE ASSEMBLY (Engine Serial No. Up to 0700A80445999)

0743-953

Ref	Part No.	New Qty	Description	Ref	Part No.	New Qty	Description
1	0801-153	1	Crankcase Assembly (inc. 2-15)	19	8468-645	3	Screw, Machine
2	0812-064	2	● Plug	20	8468-655	3	Screw, Machine
3	0801-002	1	● Plug	21	8468-675	2	Screw, Machine
4	0832-043	1	● Bearing	22	8412-860	1	Screw, Cap
5	0832-044	2	● Bearing	23	0826-017	1	Screw, Cap
6	0832-049	1	● Bearing	24	0830-008	2	Gasket
7	0832-050	3	● Bearing	25	0826-019	1	Screw, Cap
8	0832-042	1	● Bearing	26	0826-018	1	Screw, Cap
9	0832-048	1	● Bearing	27	8468-695	1	Screw, Machine
10	0832-015	1	● Bearing	28	8468-680	1	Screw, Machine
11	0822-052	1	● Seal, Countershaft	29	0801-029	1	Housing, Secondary Shaft (inc. one No. 7)
12	0826-100	4	● Screw, Machine	30	0826-105	3	Screw, Cap
13	0822-010	4	● Retainer, Bearing	31	0826-038	1	Screw, Cap
14	0801-028	1	● Pipe, Breather	32	0801-069	1	Pipe, Breather
15	0830-035	1	● Seal, Driveshaft	33	0801-179	X 1	Stick, Oil Level
16	8412-850	4	Screw, Cap	34	0830-010	1	O-Ring
17	0829-003	1	Pin, Dowel				
18	0829-002	5	Pin, Dowel				

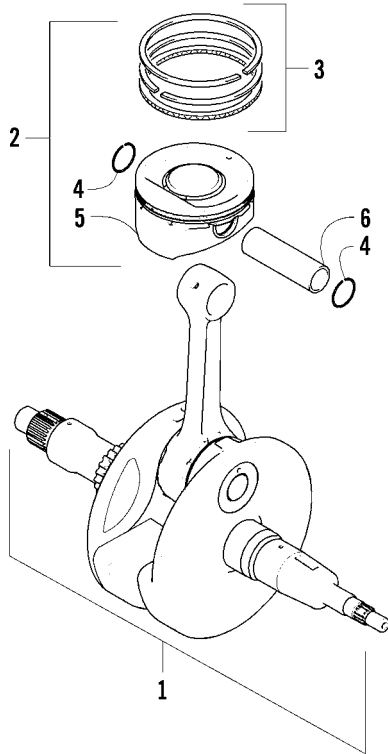


### CRANKCASE ASSEMBLY (Engine Serial No. 0700AD0010060 and Up)

0744-766

Ref	Part No.	New	Qty	Description	Ref	Part No.	New	Qty	Description
1	0801-146	X	1	Crankcase Assembly (inc. 2-15)	19	8468-645		3	Screw, Machine
2	0812-061		2	● Fitting, Adapter	20	8468-655		3	Screw, Machine
3	0801-002		2	● Plug	21	8468-675		2	Screw, Machine
4	0832-043		1	● Bearing	22	8412-860		1	Screw, Cap
5	0832-044		2	● Bearing	23	0826-017		1	Screw, Cap
6	0832-049		1	● Bearing	24	0830-008		2	Gasket
7	0832-050		3	● Bearing	25	0826-019		1	Screw, Cap
8	0832-042		1	● Bearing	26	0826-018		1	Screw, Cap
9	0832-048		1	● Bearing	27	8468-695		1	Screw, Machine
10	0832-015		1	● Bearing	28	8468-680		1	Screw, Machine
11	0822-052		1	● Seal, Countershaft	29	0801-029		1	Housing, Secondary Shaft (inc. one No. 7)
12	0826-100		4	● Screw, Machine	30	0826-105		3	Screw, Cap
13	0822-010		4	● Retainer, Bearing	31	0826-038		1	Screw, Cap
14	0801-028		1	● Pipe, Breather	32	0801-069		1	Pipe, Breather
15	0830-035		1	● Seal, Driveshaft	33	0801-179	X	1	Stick, Oil Level
16	8412-850		4	Screw, Cap	34	0830-010		1	O-Ring
17	0829-003		1	Pin, Dowel					
18	0829-002		5	Pin, Dowel					

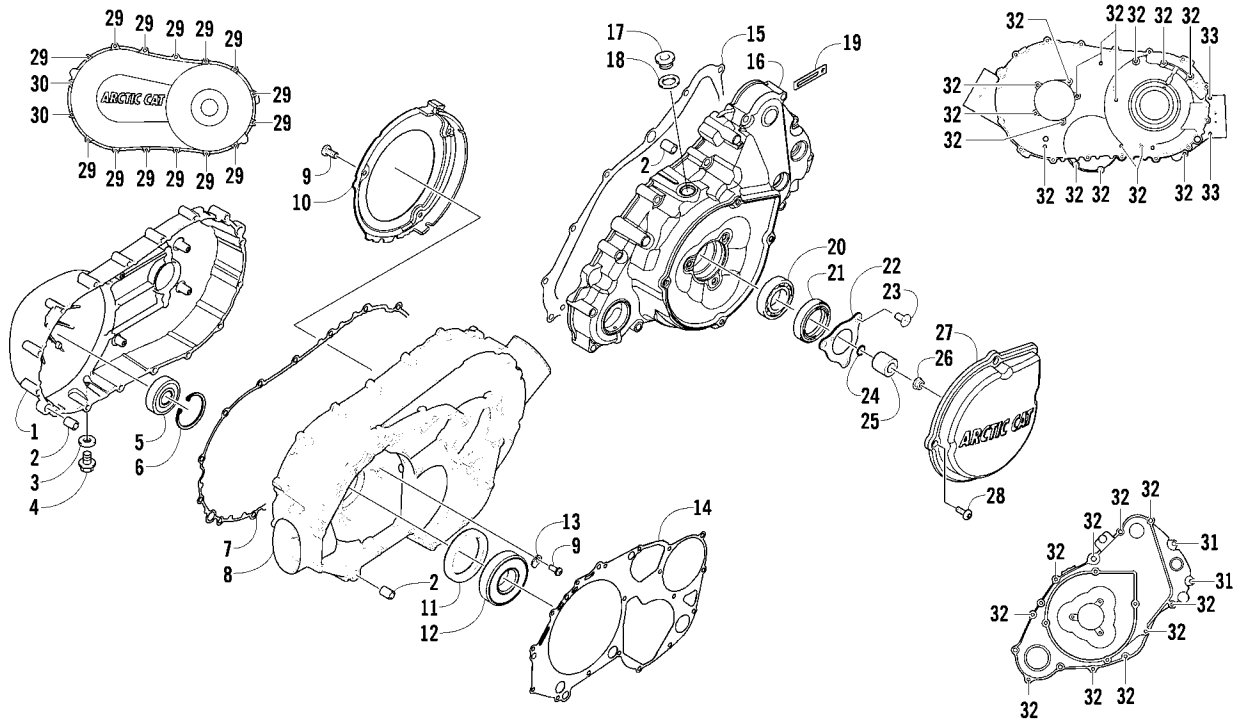




## CRANKSHAFT AND PISTON ASSEMBLY

0739-932

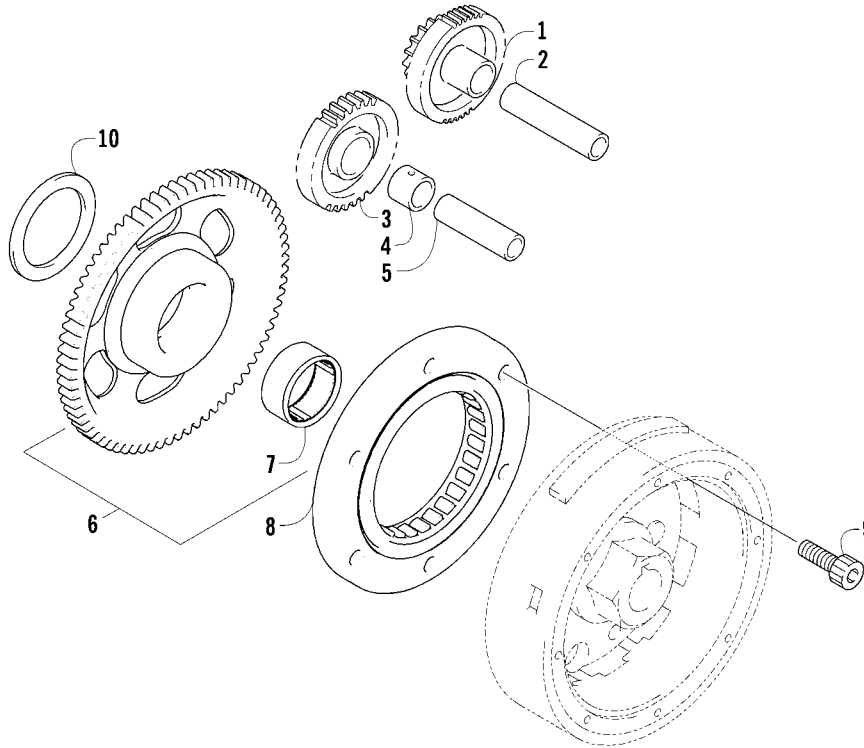
Ref	Part No.	New Qty	Description	Ref	Part No.	New Qty	Description
1	0805-032	1	Crankshaft Assembly	4	0831-001	2	● Circlip, Piston Pin
2	0805-297	1	Piston Set (inc. 3-6)	5	0805-296	1	● Piston
3	0805-132	1	● Ring, Piston - Set	6	0805-210	1	● Pin, Piston



## CLUTCH/V-BELT/MAGNETO COVER ASSEMBLY

0743-969

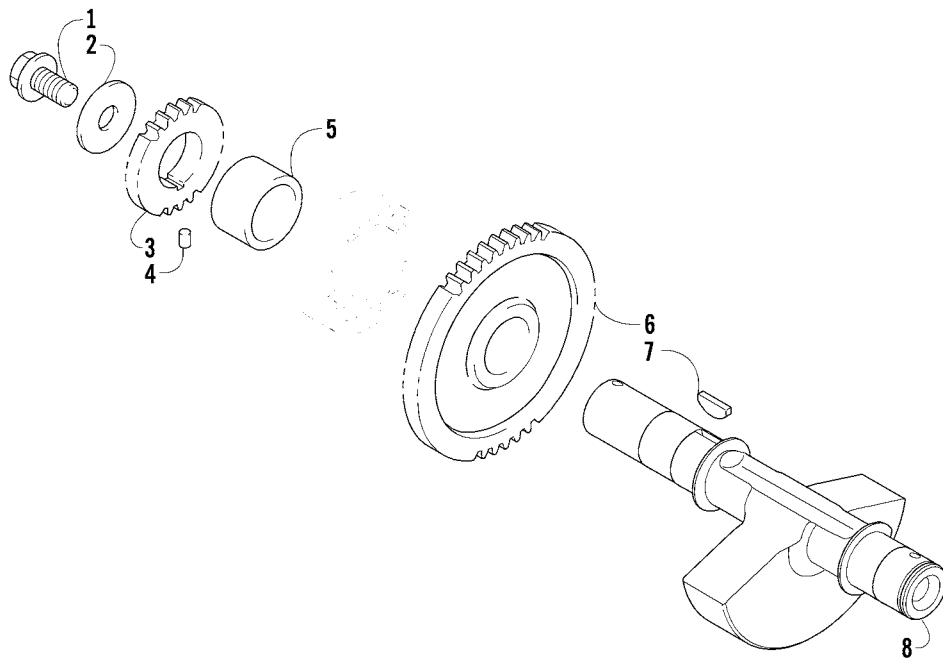
Ref	Part No.	New Qty	Description	Ref	Part No.	New Qty	Description
1	0806-089	1	Cover, V-Belt	18	0830-015	1	Washer, Crush
2	0829-002	6	Pin, Dowel	19	3002-964	1	Clamp, Wire
3	0830-013	1	Washer, Crush	20	0832-045	1	Bearing
4	8408-812	1	Screw, Cap	21	0830-158	1	Seal
5	0832-060	1	Bearing	22	0805-008	1	Retainer, Seal
6	0831-078	1	Ring, Retaining	23	0826-031	3	Screw, Machine
7	0830-174	1	Gasket, V-Belt Cover	24	0830-108	1	O-Ring
8	0806-091	1	Cover, Clutch	25	0820-061	1	Bushing
9	0826-029	5	Screw, Machine	26	0827-008	1	Nut
10	0806-048	1	Plate, Air Intake	27	0820-062	1	Cover, Magneto
11	0830-188	1	Seal	28	8468-616	4	Screw, Machine
12	0832-047	1	Bearing	29	8468-645	14	Screw, Machine
13	0822-010	2	Retainer, Bearing	30	8468-655	2	Screw, Machine
14	0830-116	1	Gasket, Clutch Cover	31	8468-625	2	Screw, Machine
15	0830-128	1	Gasket, Magneto Cover	32	8468-640	26	Screw, Machine
16	0806-082	1	Cover, Magneto - Assembly	33	8468-675	2	Screw, Machine
17	0806-022	1	Plug				



## STARTER CLUTCH ASSEMBLY

0739-940

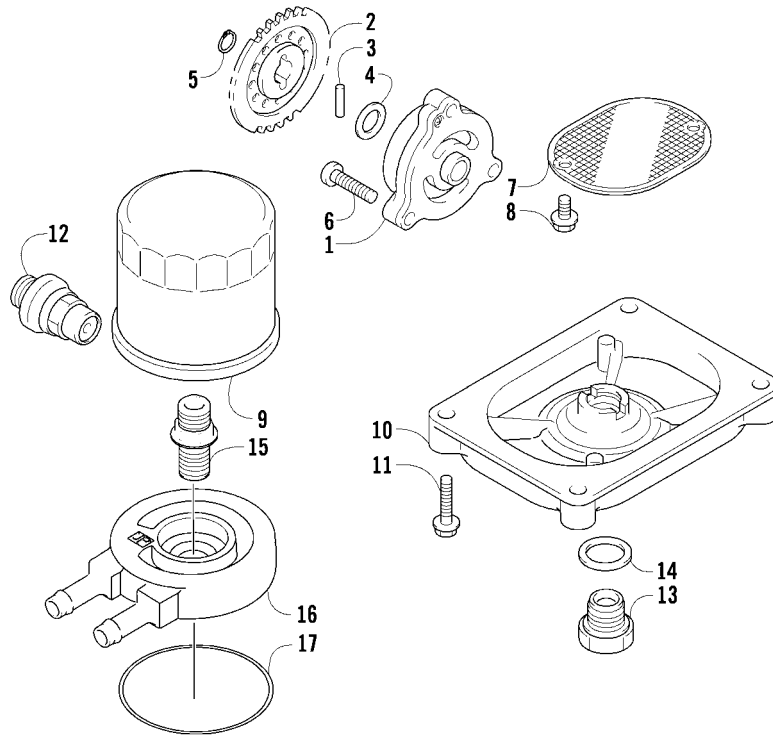
Ref	Part No.	New Qty	Description	Ref	Part No.	New Qty	Description
1	0815-001	1	Gear, Starter Idler - No. 1	6	0815-004	1	Gear, Starter Clutch (inc. 7)
2	0829-031	1	Shaft, Starter Gear	7	0832-079	1	● Bearing
3	0815-002	1	Gear, Starter Idler - No. 2	8	0802-035	1	Clutch, Starter
4	0815-003	1	Spacer, Starter Idler Gear No. 2	9	0826-069	6	Screw, Machine
5	0829-032	1	Shaft, Starter Gear	10	0828-094	1	Washer



## CRANK BALANCER ASSEMBLY

0739-941

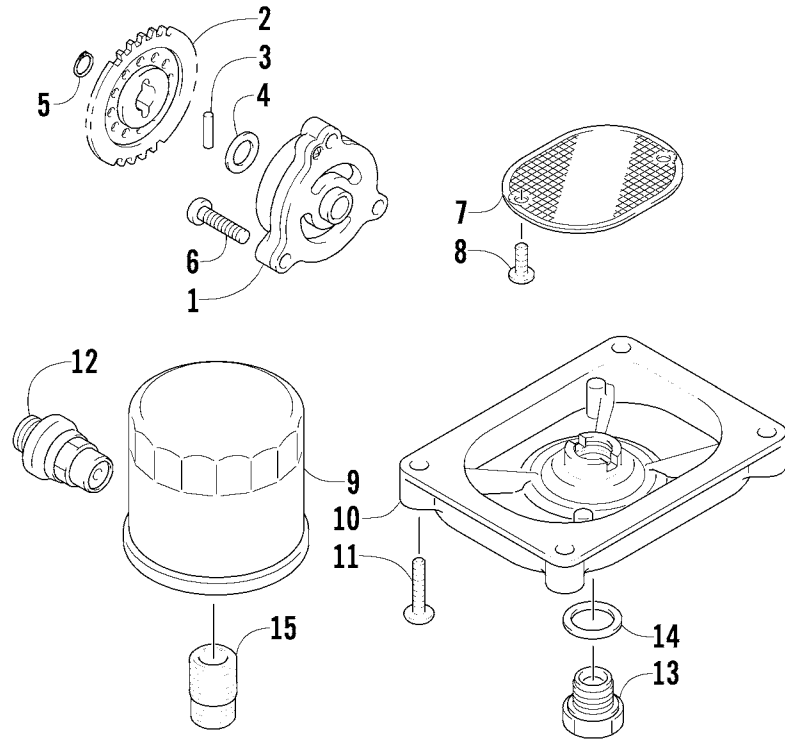
Ref	Part No.	New Qty	Description	Ref	Part No.	New Qty	Description
1	0826-033	1	Screw, Cap	5	0811-004	1	Spacer
2	0828-003	1	Washer	6	0811-002	1	Gear, Driven
3	0811-003	1	Gear, Oil Pump Drive	7	0829-006	1	Key
4	0829-007	1	Pin, Dowel	8	0811-017	1	Balancer, Crank



### OIL FILTER/PUMP ASSEMBLY (Engine Serial No. Up to 0700A80445999)

0742-688

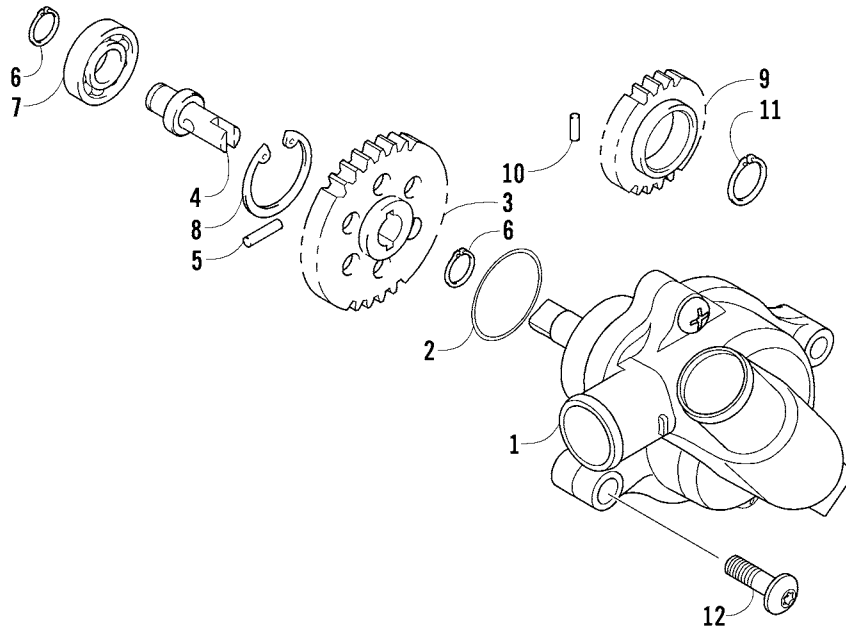
Ref	Part No.	New	Qty	Description	Ref	Part No.	New	Qty	Description
1	0812-023		1	Pump, Oil	10	0812-053		1	Cap, Oil Strainer
2	0812-083	X	1	Gear, Driven	11	8468-625		4	Screw, Machine
3	0829-009		1	Pin	12	0812-007		1	Valve, Oil-Relief - Assembly
4	0828-007		1	Washer	13	0812-006		1	Plug, Drain
5	0831-002		1	Ring, Retaining	14	0830-017		1	Gasket, Drain Plug
6	0826-039		3	Screw, Machine	15	0812-056		1	Stand, Oil Fitting
7	0812-057		1	Strainer, Oil	16	0812-055		1	Tower, Oil Fitting
8	0826-040		2	Screw, Machine	17	0830-166		1	O-Ring, Oil Fitting
9	0812-029		1	Filter, Oil					



**OIL FILTER/PUMP ASSEMBLY (Engine Serial No. 0700AD0010060 and Up)**

0744-012

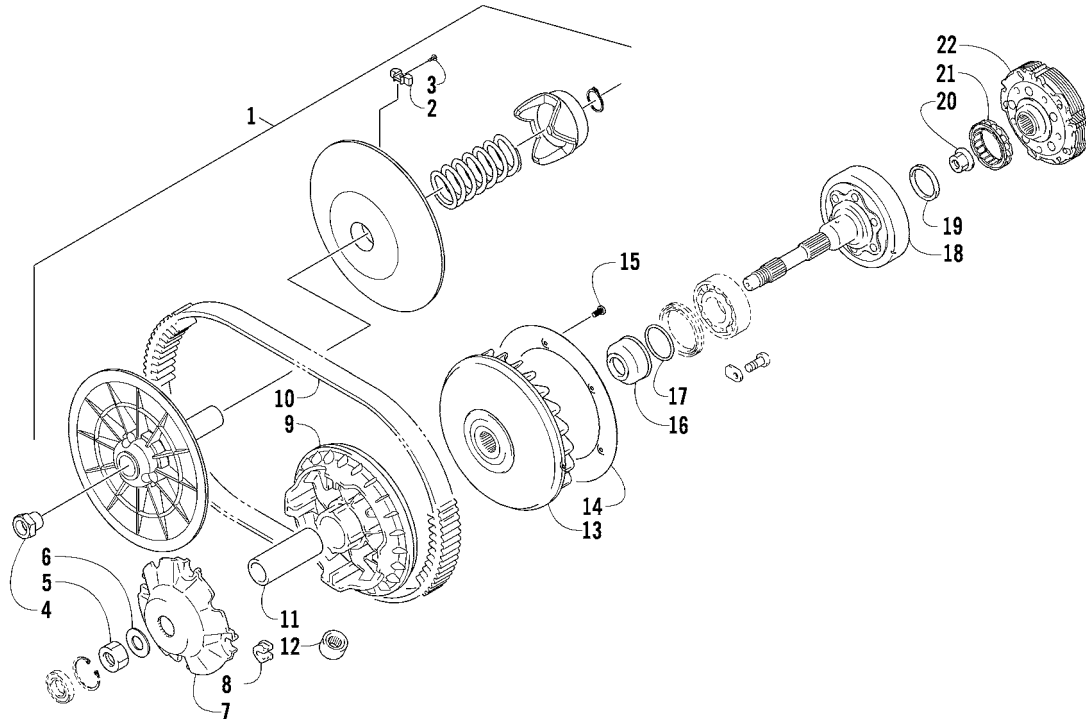
Ref	Part No.	New	Qty	Description	Ref	Part No.	New	Qty	Description
1	0812-023		1	Pump, Oil	9	0812-029		1	Filter, Oil
2	0812-083	X	1	Gear, Driven	10	0812-053		1	Cap, Oil Strainer
3	0829-009		1	Pin	11	8468-625		4	Screw, Machine
4	0828-007		1	Washer	12	0812-007		1	Valve, Oil-Relief - Assembly
5	0831-002		1	Ring, Retaining	13	0812-006		1	Plug, Drain
6	0826-039		3	Screw, Machine	14	0830-017		1	Gasket, Drain Plug
7	0812-057		1	Strainer, Oil	15	0812-008		1	Union, Filter
8	0826-040		2	Screw, Machine					



## WATER PUMP ASSEMBLY

0739-945

Ref	Part No.	New Qty	Description	Ref	Part No.	New Qty	Description
1	0813-001	1	Pump, Water - Assembly (inc. 2)	7	0832-046	1	Bearing, Shaft
2	0830-029	1	● O-Ring	8	0831-004	1	Ring, Retaining
3	0813-004	1	Gear, Driven	9	0811-003	1	Gear, Water Pump Drive
4	0813-005	1	Shaft, Driven Gear	10	0829-007	1	Pin, Alignment
5	0829-009	1	Pin, Driven Gear	11	0831-005	1	Ring, Retaining
6	0831-002	2	Ring, Retaining	12	8468-665	2	Screw, Machine

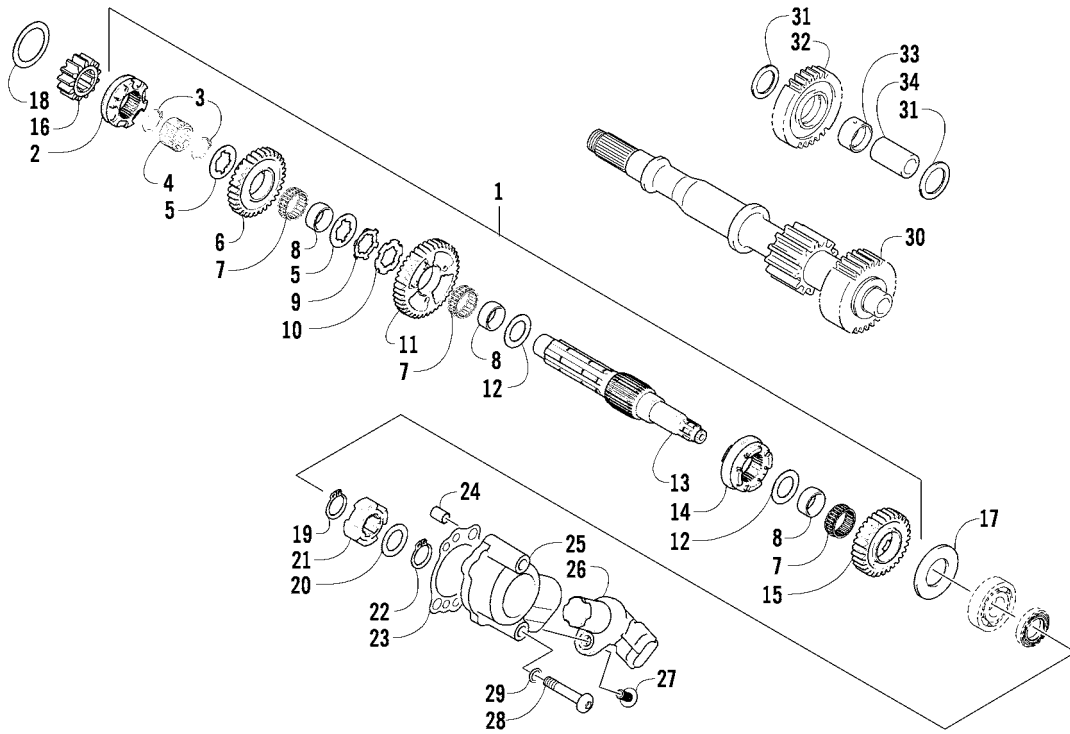


## TRANSMISSION ASSEMBLY

0743-967

Ref	Part No.	New Qty	Description	Ref	Part No.	New Qty	Description
1	0823-157	1	Pulley, Driven - Assembly (inc. 2-4)	12	0823-167	8	Roller
2	0823-176	3	● Shoe, Cam	13	0823-156	1	Face, Fixed Drive
3	0823-177	3	● Screw, Machine	14	0823-131	1	Shroud, Drive Face
4	0823-178	1	● Nut	15	0623-914	6	Screw, Self-Tapping
5	0827-010	1	Nut	16	0823-015	1	Spacer, Fixed Drive Face
6	0828-106	1	Washer	17	0470-531	1	O-Ring
7	0823-008	1	Plate, Movable Drive Face	18	0823-261	1	Housing, Clutch - Assembly
8	0823-010	4	Damper, Movable Drive Face	19	0830-189	1	Seal
9	0823-159	1	Face, Movable Drive	20	0827-011	1	Nut
10	0823-013	1	Belt, Drive	21	0823-018	1	Clutch, One-Way
11	0823-291	1	Spacer	22	0823-098	1	Clutch, Centrifugal - 6 Plate

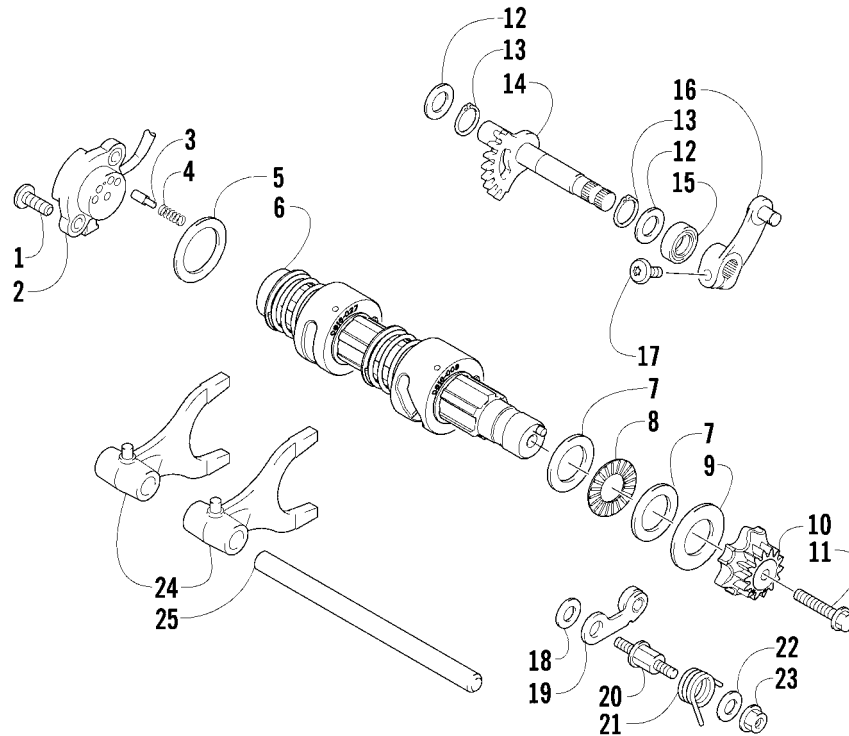




## SECONDARY TRANSMISSION ASSEMBLY

0743-765

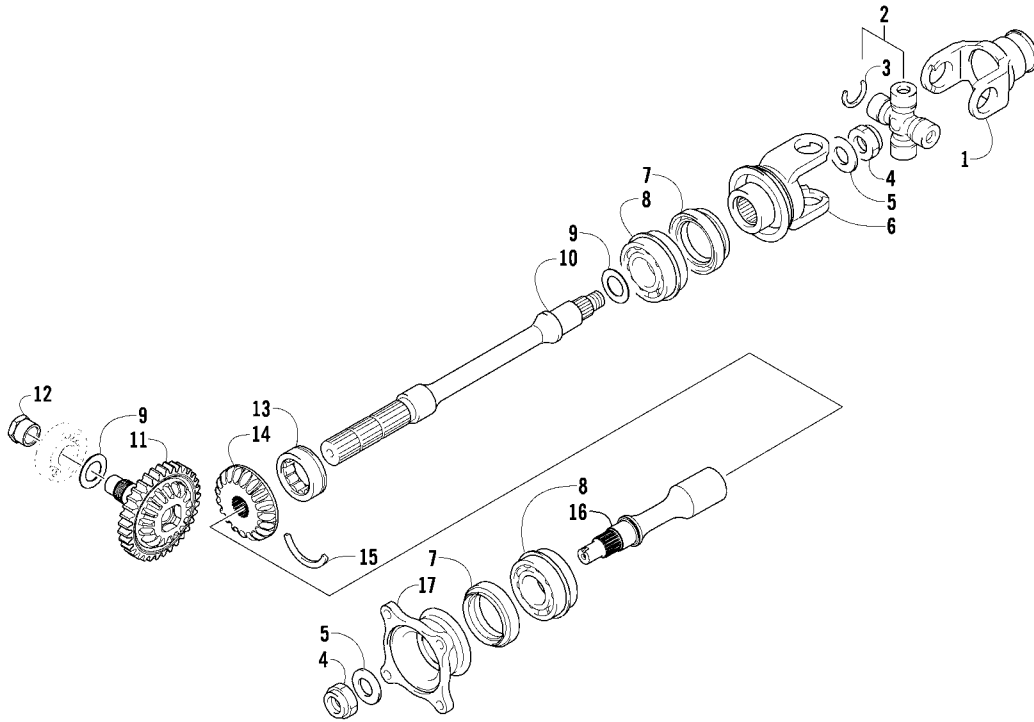
Ref	Part No.	New Qty	Description	Ref	Part No.	New Qty	Description
1	0822-091	1	Countershaft Assembly (inc. 2-15)	18	0828-019	1	Washer, Thrust
2	0822-014	1	● Gear Select, Reverse	19	0831-040	1	Ring, Retaining
3	0831-011	2	● Ring, Retaining	20	0828-069	1	Washer, Thrust
4	0822-045	1	● Spacer, Reverse Driven Gear	21	0822-050	1	Trigger, Speedometer Sensor
5	0828-008	2	● Washer	22	0831-039	1	Ring, Retaining
6	0822-013	1	● Gear, Reverse Driven	23	0830-129	1	Gasket
7	0832-011	3	● Bearing	24	0829-023	2	Pin, Dowel
8	0822-005	3	● Bushing	25	0822-049	1	Housing, Speedometer Sensor
9	0828-014	1	● Washer, Lock	26	0824-042	1	Sensor, Speedometer
10	0828-015	1	● Washer, Lock	27	8468-620	1	Screw, Machine
11	0822-004	1	● Gear, Driven - Low	28	8468-645	2	Screw, Machine
12	0822-046	2	● Washer, Driven Gear	29	0830-107	2	Seal, Fastener
13	0822-003	1	● Countershaft	30	0822-001	1	Driveshaft
14	0822-007	1	● Gear Select, Sliding	31	0828-016	2	Washer, Thrust
15	0822-006	1	● Gear, Driven - High	32	0822-011	1	Gear, Reverse Idle
16	0822-089	1	Gear, Drive	33	0822-012	1	Bushing
17	0828-011	1	Washer	34	0822-015	1	Shaft, Reverse Idle



## GEAR SHIFTING ASSEMBLY

0743-770

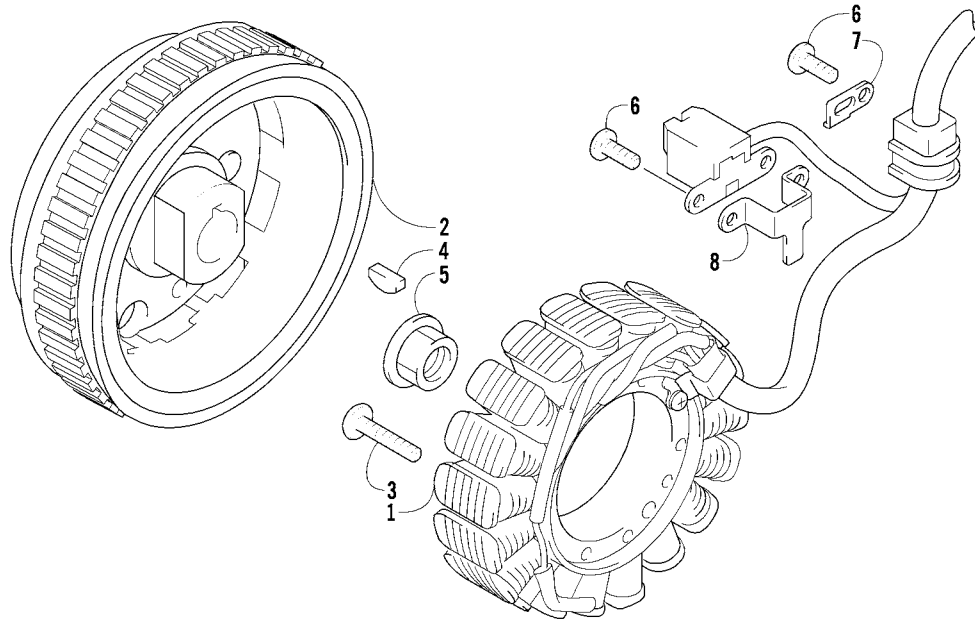
Ref	Part No.	New Qty	Description	Ref	Part No.	New Qty	Description
1	8470-520	2	Screw, Machine	14	0818-007	1	Shaft, Sub-Gear Shift
2	0409-090	1	Switch, Gear Position	15	0830-044	1	Seal, Sub-Gear Shift Shaft
3	0818-013	2	Contact	16	0818-014	1	Arm, Select
4	0818-017	2	Spring	17	8468-620	1	Screw, Machine
5	0828-040	1	Washer	18	0828-038	1	Washer
6	0818-046	1	Shaft, Gear Shift - Assembly	19	0818-002	1	Stopper, Cam
7	0828-095	2	Washer	20	0818-004	1	Support, Cam Stopper
8	0832-052	1	Bearing, Thrust	21	0818-090	1	Spring
9	0828-037	1	Washer	22	0828-035	1	Washer
10	0818-089	1	Plate, Gear Shift Cam	23	8424-602	1	Nut
11	0826-006	1	Screw, Cap	24	0818-072	2	Fork, Shift
12	0828-036	2	Washer	25	0818-006	1	Shaft, Shift Fork
13	0831-010	2	Ring, Retaining				



## SECONDARY DRIVE ASSEMBLY

0743-766

Ref	Part No.	New Qty	Description	Ref	Part No.	New Qty	Description
1	0819-063	1	Yoke, Propeller Shaft Joint	10	0819-089	X 1	Shaft, Secondary Driven - Front
2	1402-164	1	Joint, Universal - Set (inc. 3)	11	0822-107	1	Gear, Secondary Drive
3	0423-450	4	● Ring, Retaining	12	0827-052	1	Nut
4	0827-013	2	Nut	13	0832-016	1	Bearing
5	0828-020	2	Washer	14	0822-106	1	Gear, Secondary Driven
6	0819-061	1	Yoke, Drive Output	15	0819-011	1	Ring, Driven Bearing
7	0830-043	2	Seal, Oil	16	0819-053	1	Shaft, Secondary Driven - Rear
8	0832-017	2	Bearing	17	0819-005	1	Flange, Output Joint
9	0828-021	AR	Shim, 25 x 34 x 0.25 mm				
	0828-022	AR	Shim, 25 x 34 x 0.30 mm				
	0828-023	AR	Shim, 25 x 34 x 0.70 mm				
	0828-024	AR	Shim, 25 x 34 x 0.90 mm				
	0828-025	AR	Shim, 25 x 34 x 0.95 mm				
	0828-026	AR	Shim, 25 x 34 x 1.00 mm				
	0828-027	AR	Shim, 25 x 34 x 1.05 mm				
	0828-028	AR	Shim, 25 x 34 x 1.10 mm				
	0828-029	AR	Shim, 25 x 34 x 1.15 mm				



## MAGNETO ASSEMBLY

0742-692

Ref	Part No.	New Qty	Description	Ref	Part No.	New Qty	Description
1	0802-041	1	Stator - Assembly	5	0827-014	1	Nut
2	0802-048	1	Rotor/Flywheel	6	8470-510	3	Screw, Machine
3	0826-102	3	Screw, Machine	7	0802-015	1	Clamp - No. 1
4	0829-012	1	Key	8	0802-016	1	Clamp - No. 2

