

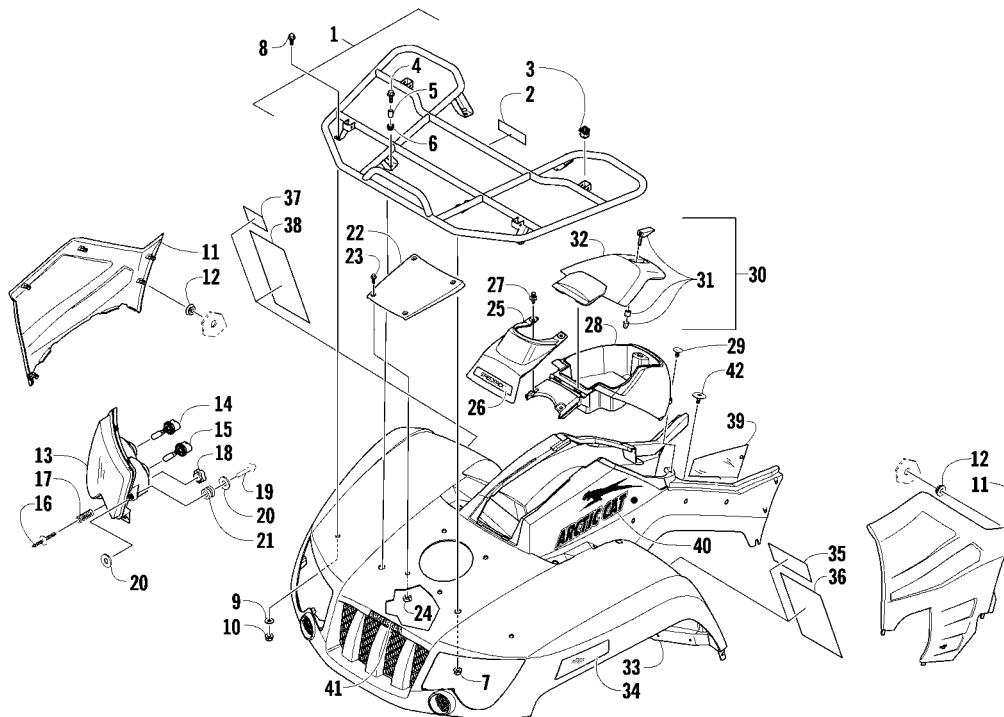
TABLE OF CONTENTS

2010 ATV 550 EFI

Green (Model No. A2010ICO4EUSG) Timber Camo (Model No. A2010ICO4EUSH)
Metallic Cat Green (Model No. A2010ICO4EUSN) Green - International (Model No. A2010ICO4EOSG)
Metallic Cat Green - International (Model No. A2010ICO4EOSM)

FRONT RACK, BODY PANEL, AND HEADLIGHT ASSEMBLIES (4EUSG/4EOSG)	1
FRONT RACK, BODY PANEL, AND HEADLIGHT ASSEMBLIES (4EUSH/4EUSM/4EOSM)	2
REAR RACK, BODY PANEL, AND FOOTWELL ASSEMBLIES	3
FRAME AND RELATED PARTS (4EUSG/4EUSH/4EOSG)	4
FRAME AND RELATED PARTS (4EUSM/4EOSM)	5
WINCH ASSEMBLY (4EUSM/4EOSM)	6
TAILLIGHT ASSEMBLY	7
SEAT ASSEMBLY	8
STEERING ASSEMBLY	9
HANDLEBAR ASSEMBLY	10
INSTRUMENT POD ASSEMBLY	11
FRONT SUSPENSION ASSEMBLY	12
REAR SUSPENSION ASSEMBLY	13
WHEEL AND TIRE ASSEMBLY (4EUSG/4EUSH/4EOSG)	14
WHEEL AND TIRE ASSEMBLY (4EUSM/4EOSM)	15
HYDRAULIC BRAKE ASSEMBLY	16
GAS TANK ASSEMBLY	17
SHIFT LEVER ASSEMBLY	18
AIR INTAKE ASSEMBLY	19
ENGINE AND EXHAUST	20
COOLING ASSEMBLY	21
CASE/BELT COOLING ASSEMBLY	22
DRIVE TRAIN ASSEMBLY	23
FRONT DRIVE GEARCASE ASSEMBLY	24
REAR DRIVE GEARCASE ASSEMBLY	25
WIRING HARNESS ASSEMBLY	26
BATTERY AND STARTER ASSEMBLY	27
THROTTLE BODY ASSEMBLY	28
CYLINDER ASSEMBLY	29
CYLINDER HEAD AND CAMSHAFT/VALVE ASSEMBLY	30
CAM CHAIN ASSEMBLY	31
CRANKCASE ASSEMBLY	32
CRANKSHAFT AND PISTON ASSEMBLY	33
CLUTCH/V-BELT/MAGNETO COVER ASSEMBLY	34
STARTER CLUTCH ASSEMBLY	35
CRANK BALANCER ASSEMBLY	36
OIL FILTER/PUMP ASSEMBLY	37
WATER PUMP ASSEMBLY	38
TRANSMISSION ASSEMBLY	39
SECONDARY TRANSMISSION ASSEMBLY	40
GEAR SHIFTING ASSEMBLY	41
SECONDARY DRIVE ASSEMBLY	42
MAGNETO ASSEMBLY	43

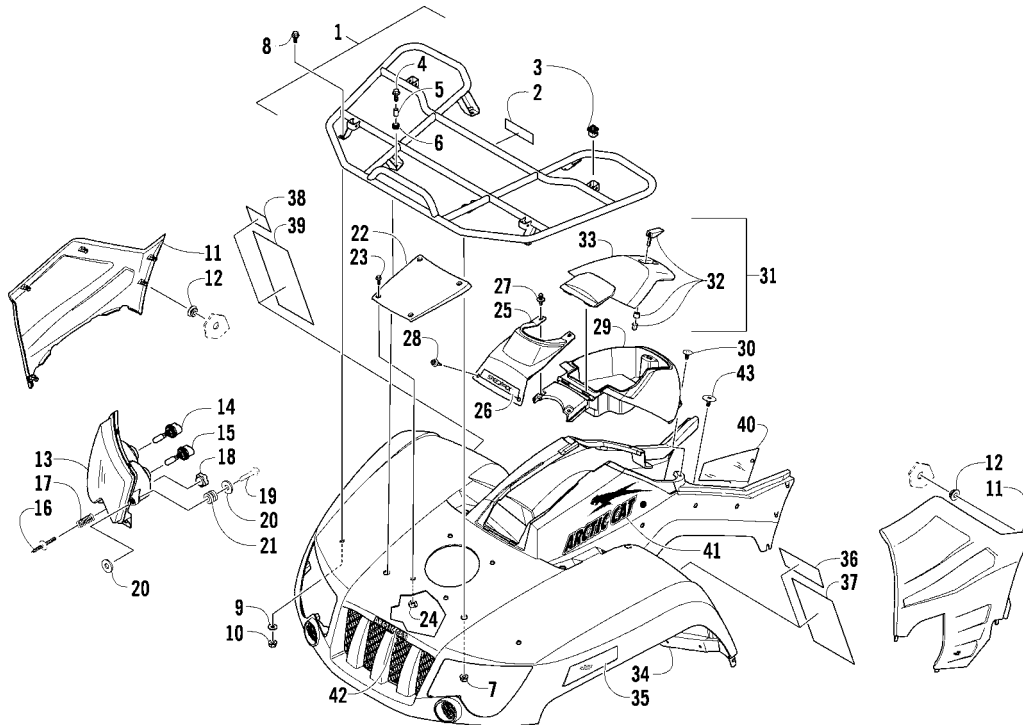
■ **NOTE:** The illustrations used in this Parts Manual are for reference to replacement part numbers only and are not to be used for assembly. For assembly procedures, use an Arctic Cat Service Manual. For a complete list of related items, refer to the current accessory catalog.



FRONT RACK, BODY PANEL, AND HEADLIGHT ASSEMBLIES (4EUSG/4EOSG)

0744-530

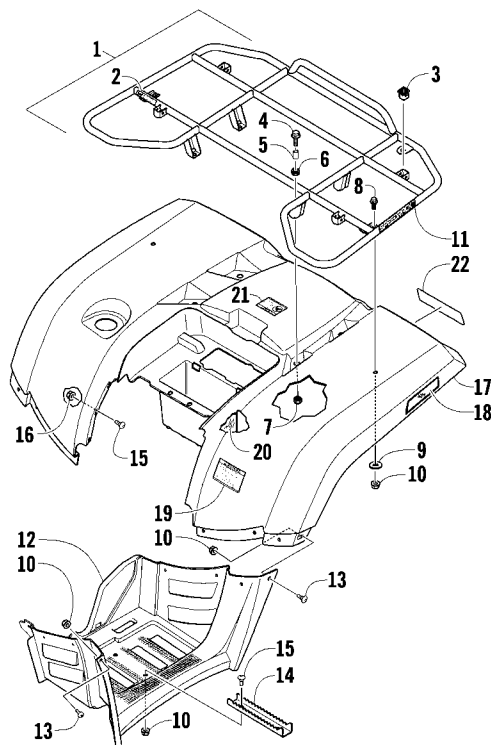
Ref	Part No.	New	Qty	Description	Ref	Part No.	New	Qty	Description
1	2506-107		1	Rack, Front - Assembly (inc. 2-3)	23	8410-616		4	Screw, Cap
2	0411-576		1	● Decal, Warning - Load	24	0423-997	X	4	T-Nut
3	0441-592		4	● Bushing	25	1406-970		1	Cover, Steering Post - Green
4	8410-830		4	Screw, Cap	26	1411-050		1	Decal, "Speedrack"
5	0423-669		4	Spacer	27	0623-362		2	Rivet, Reinstallable
6	0423-465		4	Grommet	28	1406-947		1	Box, Storage - Green
7	8432-802		4	Nut, Lock	29	0623-544		2	Clip, Retaining
8	0423-654		2	Screw, Shoulder	30	2506-235		1	Lid, Storage Box w/Latch (inc. 31-32)
9	8050-222		2	Washer	31	1406-599		1	● Latch, Storage Box
10	0423-540		2	Nut, Lock	32	1406-862		1	● Lid, Storage Box
11	2406-380	X	1	Panel, Side - Lower - Right	33	2516-396	X	1	Panel, Fender - Assembly - Front - Green (inc. 34-39)
	2406-381	X	1	Panel, Side - Lower - Left	34	1411-078		1	● Decal, Reflector - Right - Amber
12	0423-678		8	Grommet	1411-079		1	● Decal, Reflector - Left - Amber	
13	0609-852		1	Headlight Assembly - Right (inc. 14-15)	35	1411-574		1	● Decal, Warning - Off-Road Only
	0609-853		1	Headlight Assembly - Left (inc. 14-15)	36	2411-124	X	1	● Decal, Warning - General/Age
14	0409-073		2	● Bulb, Headlight	37	0411-835		1	● Decal, Warning - Turn/Hill
15	0409-045		2	● Bulb, Headlight	38	1411-250		1	● Decal, Warning - Reverse/Pre-Ride
16	0423-514		2	Stud, Adjuster - Headlight	39	0412-394		1	● Foil, Protective
17	0423-522		2	Spring, Adjuster	40	1411-634		1	Decal, Side - Upper Right
18	0423-513		2	Knob, Adjuster	1411-635		1	Decal, Side - Upper Left	
19	0623-785		4	Screw, Self-Tapping	41	1411-725		1	Decal, Front
20	8050-217		8	Washer	42	0423-101		2	Screw, Shoulder
21	0423-447		4	Grommet					
22	2416-170	X	1	Cover, Access - Green					



FRONT RACK, BODY PANEL, AND HEADLIGHT ASSEMBLIES (4EUSH/4EUSM/4EOSM)

0744-618

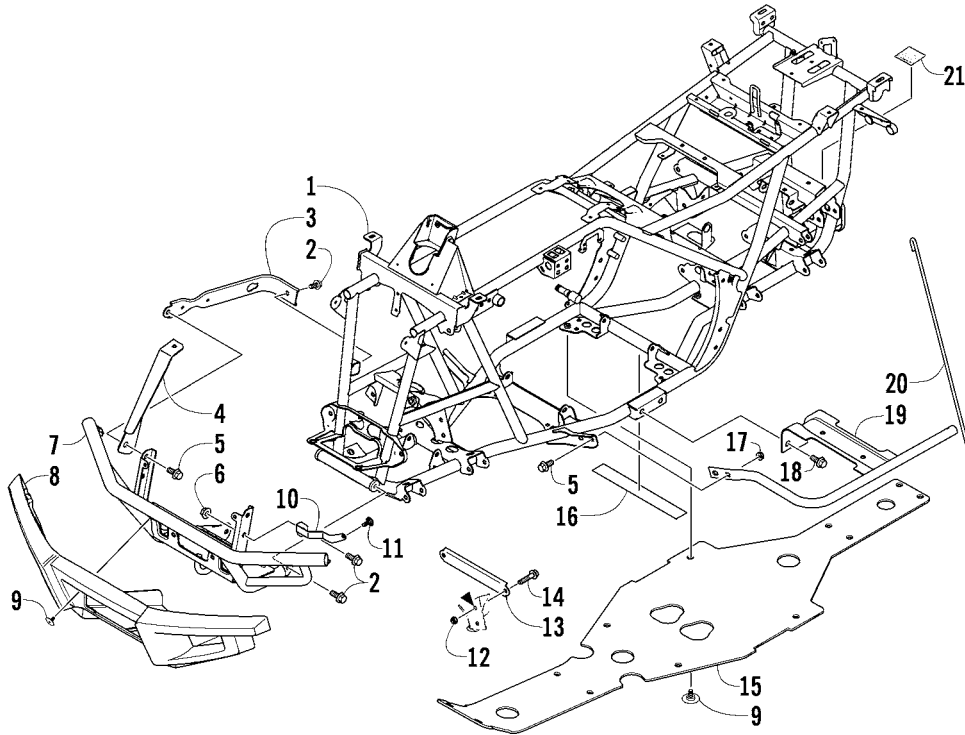
Ref	Part No.	New	Qty	Description	Ref	Part No.	New	Qty	Description
1	2506-107		1	Rack, Front - Assembly (inc. 2-3) (4EUSH)	26	1411-050		1	Decal, "Speedrack"
	2506-646		1	Rack, Front - Assembly (inc. 2-3) (4EUSM/4EOSM)	27	0623-362		2	Rivet, Reinstallable
2	0411-576		1	● Decal, Warning - Load	28	0423-535		2	Rivet, Reinstallable
3	0441-592		4	● Bushing	29	2516-589	X	1	Box, Storage - Timber Camo (4EUSH)
4	8410-830		4	Screw, Cap		2516-580	X	1	Box, Storage - Metallic Cat Green (4EUSM/4EOSM)
5	0423-669		4	Spacer	30	0623-544		2	Clip, Retaining
6	0423-465		4	Grommet	31	2506-235		1	Lid, Storage Box w/Latch (inc. 32-33)
7	8432-802		4	Nut, Lock	32	1406-599		1	● Latch, Storage Box
8	0423-654		2	Screw, Shoulder	33	1406-862		1	● Lid, Storage Box
9	8050-222		2	Washer	34	2516-421	X	1	Panel, Fender - Assembly - Front - Timber Camo (inc. 35-40) (4EUSH)
10	0423-540		2	Nut, Lock		2516-577	X	1	Panel, Fender - Assembly - Front - Metallic Cat Green (inc. 35-40) (4EUSM/4EOSM)
11	2406-380	X	1	Panel, Side - Lower - Right	35	1411-078		1	● Decal, Reflector - Right - Amber
12	2406-381	X	1	Panel, Side - Lower - Left		1411-079		1	● Decal, Reflector - Left - Amber
13	0423-678		8	Grommet	36	1411-574		1	● Decal, Warning - Off-Road Only
14	0609-852		1	Headlight Assembly - Right (inc. 14-15)	37	2411-124	X	1	● Decal, Warning - General/Age
15	0609-853		1	Headlight Assembly - Left (inc. 14-15)	38	0411-835		1	● Decal, Warning - Turn/Hill
16	0409-073		2	● Bulb, Headlight	39	1411-250		1	● Decal, Warning - Reverse/Pre-Ride
17	0409-045		2	● Bulb, Headlight	40	0412-394		1	● Foil, Protective
18	0423-514		2	Stud, Adjuster - Headlight	41	1411-634		1	Decal, Side - Upper Right (4EUSH)
19	0423-522		2	Spring, Adjuster		1411-635		1	Decal, Side - Upper Left (4EUSH)
20	0423-513		2	Knob, Adjuster		1411-302		2	Decal, Side - Upper (4EUSM/4EOSM)
21	0623-785		4	Screw, Self-Tapping	42	1411-725		1	Decal, Front (4EUSH)
22	8050-217		8	Washer	43	0423-101		2	Screw, Shoulder
23	0423-447		4	Grommet					
24	2516-458	X	1	Cover, Access - Timber Camo (4EUSH)					
25	2516-578	X	1	Cover, Access - Metallic Cat Green (4EUSM/4EOSM)					
	8410-616		4	Screw, Cap					
	0423-997	X	4	T-Nut					
	2416-153	X	1	Cover, Steering Post - Timber Camo (4EUSH)					
	2516-579	X	1	Cover, Steering Post - Metallic Cat Green (4EUSM/4EOSM)					



REAR RACK, BODY PANEL, AND FOOTWELL ASSEMBLIES

0744-531

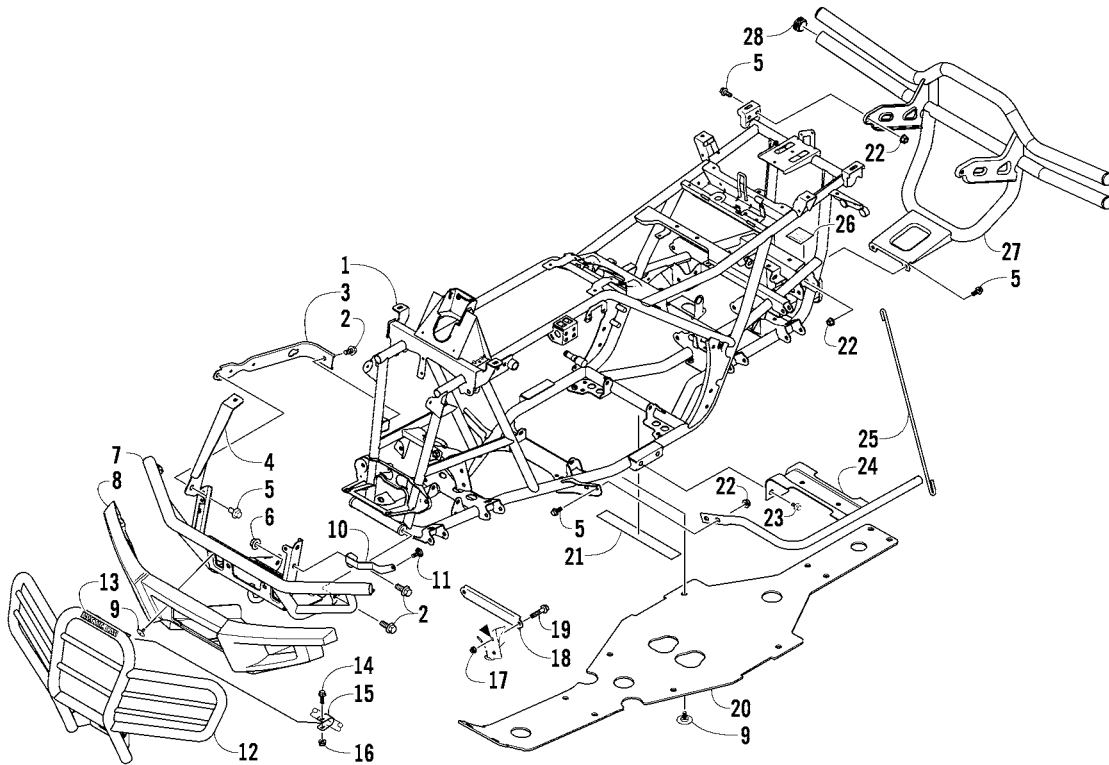
Ref	Part No.	New	Qty	Description	Ref	Part No.	New	Qty	Description
1	2506-124		1	Rack, Rear - Assembly (inc. 2-3)	16	8424-602		6	Nut
2	0411-648		1	● Decal, Warning - Load	17	2506-396		1	Panel, Fender - Assembly - Rear - Green (inc. 18-22) (4EUSG/4EOSG)
3	0441-592		4	● Bushing					
4	8410-830		4	Screw, Cap					
5	0423-669		4	Spacer		2516-423	X	1	Panel, Fender - Assembly - Rear - Timber Camo (inc. 18-22) (4EUSH)
6	0423-465		4	Grommet					
7	8432-802		4	Nut, Lock					
8	0423-654		2	Screw, Shoulder		2516-585	X	1	Panel, Fender - Assembly - Rear - Metallic Cat Green (inc. 18-22) (4EUSM/4EOSM)
9	8050-222		2	Washer					
10	0423-540		24	Nut, Lock					
11	0411-965		2	Decal, "Speedrack"	18	1411-598	X	1	● Decal, Reflector - Right - Red
12	2406-280	X	1	Footwell - Right		1411-599	X	1	● Decal, Reflector - Left - Red
	2406-281	X	1	Footwell - Left	19	2411-143	X	1	● Decal, Warning - Tire Pressure
13	0423-419		18	Screw, Machine	20	0412-351	X	1	● Foil, Protective
14	1506-125		2	Footpeg	21	1411-809		1	● Decal, Passenger
15	0423-355		10	Screw, Shoulder	22	1411-725		1	● Decal, Rear



FRAME AND RELATED PARTS (4EUSG/4EUSH/4EOSG)

0744-533

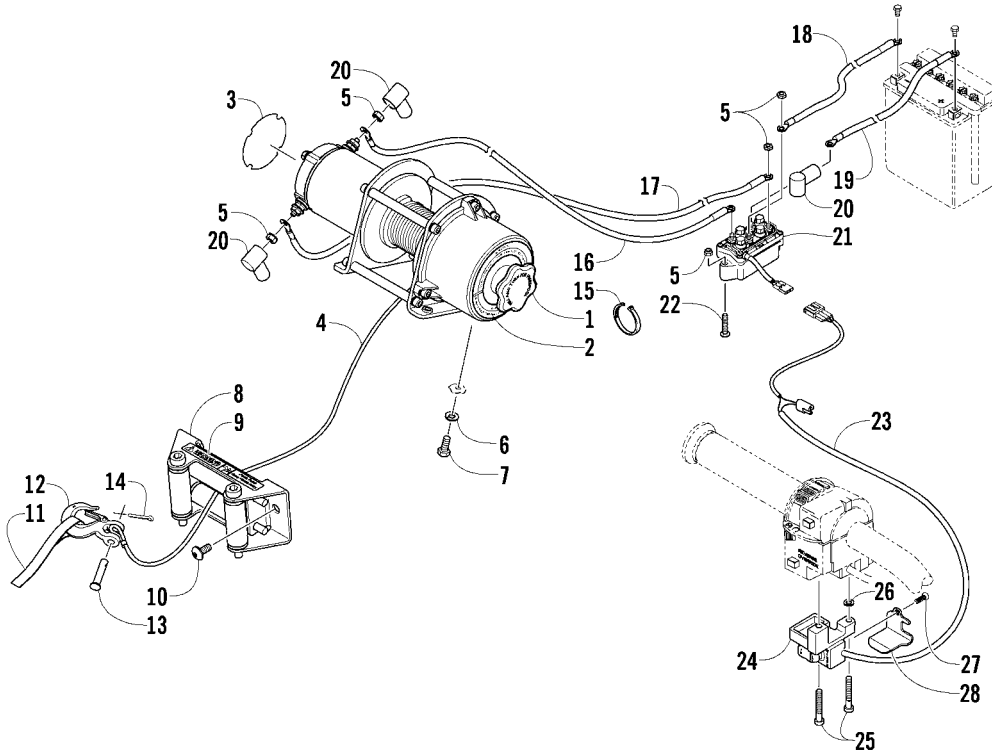
Ref	Part No.	New	Qty	Description	Ref	Part No.	New	Qty	Description
1	2506-541		1	Frame, Main	11	0623-797		2	Screw, Self-Tapping
2	8409-020		6	Screw, Cap	12	0423-744		2	Nut, Lock
3	1506-596		1	Channel, Bumper Mounting - Right	13	1506-429		1	Brace, A-Arm
	0506-653		1	Channel, Bumper Mounting - Left	14	8409-025		2	Screw, Cap
4	1506-686		1	Bracket, Mounting - Bumper - Right	15	1406-030		1	Panel, Belly
	1506-687		1	Bracket, Mounting - Bumper - Left	16	0406-289		2	Pad, Frame
5	8408-816		6	Screw, Cap	17	8424-802		4	Nut
6	8424-002		2	Nut	18	8409-016		4	Screw, Cap
7	1506-684		1	Bumper, Front	19	1506-659		1	Footrest - Right
8	1406-868		1	Fascia, Bumper - Front - Black		1506-660		1	Footrest - Left
9	0423-101		16	Screw, Shoulder	20	2506-426		2	Rod, Support
10	2516-594	X	1	Bracket, Support - Right	21	1411-077		1	Decal, Warning - Towing
	2516-595	X	1	Bracket, Support - Left					



FRAME AND RELATED PARTS (4EUSM/4EOSM)

0744-534

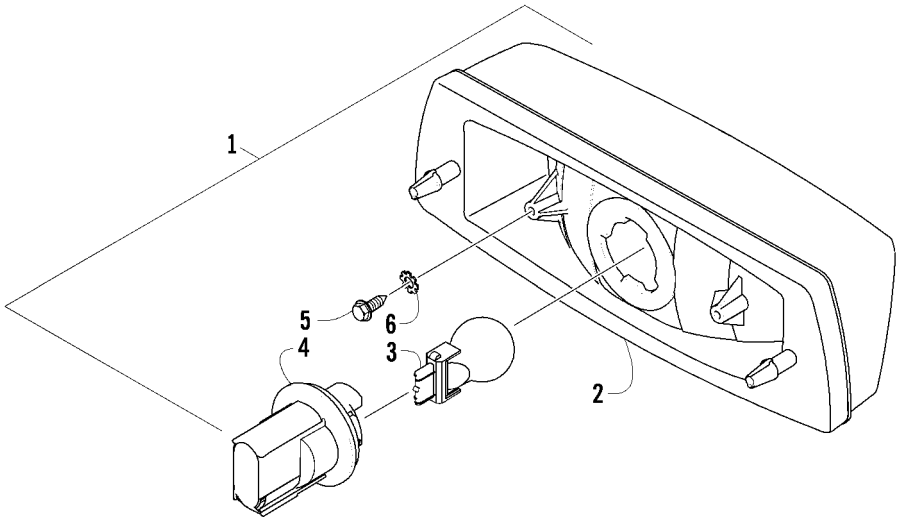
Ref	Part No.	New	Qty	Description	Ref	Part No.	New	Qty	Description
1	2506-541		1	Frame, Main	14	8410-835		2	● Screw, Cap
2	8409-020		6	Screw, Cap	15	2506-641		2	● Bracket, Support
3	1506-596		1	Channel, Bumper Mounting - Right	16	8424-805		2	● Nut
	0506-653		1	Channel, Bumper Mounting - Left	17	0423-744		2	Nut, Lock
4	1506-686		1	Bracket, Mounting - Bumper - Right	18	1506-429		1	Brace, A-Arm
	1506-687		1	Bracket, Mounting - Bumper - Left	19	8409-025		2	Screw, Cap
5	8408-816		10	Screw, Cap	20	1406-030		1	Panel, Belly
6	8424-002		2	Nut	21	0406-289		2	Pad, Frame
7	1506-684		1	Bumper, Front	22	8424-802		8	Nut
8	1406-868		1	Fascia, Bumper - Front - Black	23	8409-016		4	Screw, Cap
9	0423-101		16	Screw, Shoulder	24	1506-659		1	Footrest - Right
10	2516-594	X	1	Bracket, Support - Right		1506-660		1	Footrest - Left
	2516-595	X	1	Bracket, Support - Left	25	2506-426		2	Rod, Support
11	0623-797		2	Screw, Self-Tapping	26	1411-077		1	Decal, Warning - Towing
12	1436-032		1	Bumper, Push - Front (inc. 13-16)	27	1506-802		1	Bumper, Push - Rear (inc. 28)
13	0411-501		1	● Decal, Bumper - "Arctic Cat"	28	2406-045		4	● Plug, Hole



WINCH ASSEMBLY (4EUSM/4EOSM)

0744-542

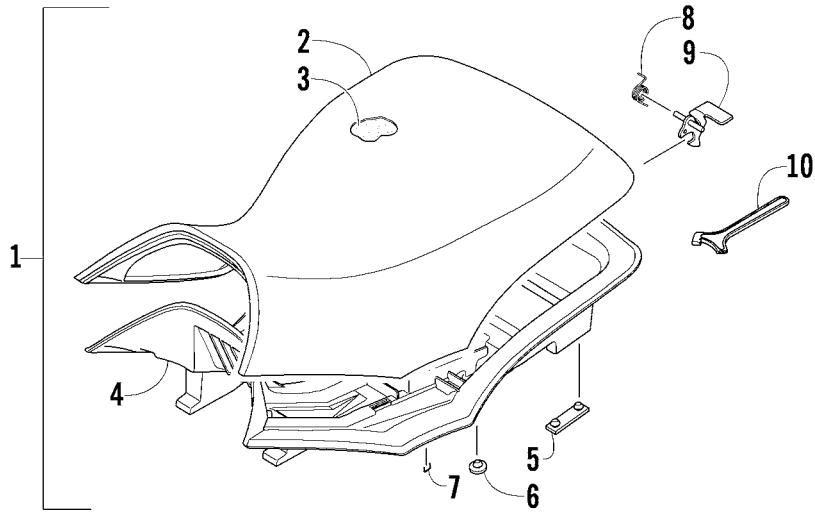
Ref	Part No.	New	Qty	Description	Ref	Part No.	New	Qty	Description
1	1441-830	X	1	Winch (inc. 2-4 and two No. 5)	15	0123-903		AR	Tie, Cable - 11.5 in.
2	2411-141	X	1	● Decal, Warning - Tension	16	0445-068		1	Cable, Winch/Solenoid - Yellow
3	2411-140	X	1	● Decal, Warning - Operation	17	0445-069		1	Cable, Winch/Solenoid - Blue
4	1441-831	X	1	● Cable, Winch	18	1441-112		1	Cable, Solenoid/Battery - Black
5	0623-038		8	● Nut w/Washer	19	0445-087	X	1	Cable, Solenoid/Battery - Red
6	8051-246		4	Washer, Lock	20	0645-019		3	Boot, Terminal
7	8408-820		4	Screw, Cap	21	0409-066		1	Solenoid
8	0441-403		1	Roller, Winch (inc. 9)	22	8476-625		2	Screw, Machine
9	0411-474		1	● Decal, Warning - Pinch Point	23	0409-087		1	Switch, Control
10	8468-820		2	Screw, Machine	24	0409-034		1	Retainer, Control Switch
11	1441-781		1	Strap	25	8464-560		2	Screw, Machine
12	1441-833	X	1	Hook, Winch	26	0423-593		1	Washer
13	1441-834	X	1	Pin	27	0423-382		1	Screw, Self-Tapping
14	0623-175		1	Pin, Cotter	28	0409-106		1	Cover, Switch



TAILLIGHT ASSEMBLY

0739-667

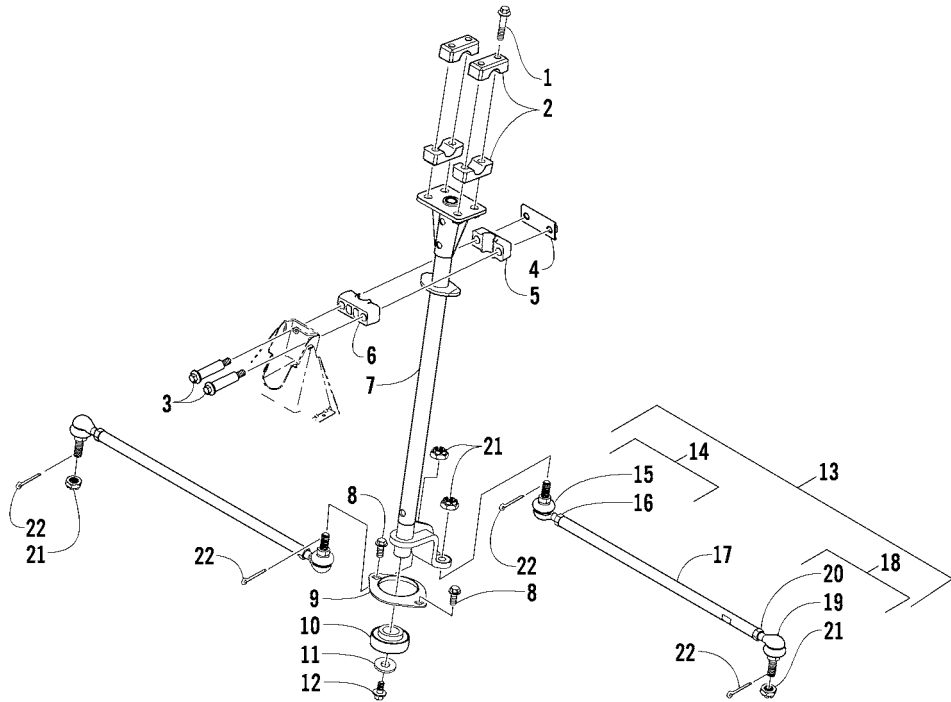
Ref	Part No.	New Qty	Description	Ref	Part No.	New Qty	Description
1	0509-022	1	Taillight Assembly (inc. 2-4)	4	0409-057	1	● Socket, Taillight
2	0509-025	1	● Housing, Taillight	5	0623-301	2	● Screw, Self-Tapping
3	0409-056	1	● Bulb, Taillight	6	8053-212	2	● Washer, External Tooth Lock



SEAT ASSEMBLY

0744-435

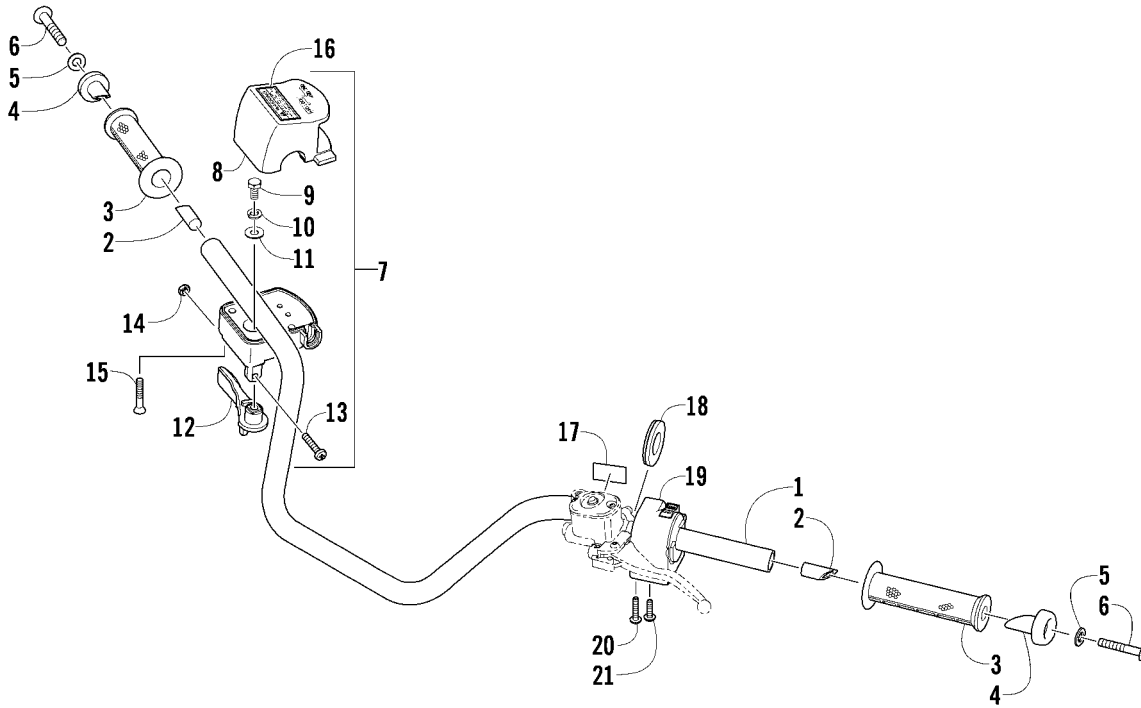
Ref	Part No.	New Qty	Description	Ref	Part No.	New Qty	Description
1	2506-805	1	Seat Assembly (inc. 2-9)	6	0406-877	4	●● Bumper, Seat - Front
2	2506-756	1	● Cover, Seat	7	0624-528	AR	● Staple
3	2506-755	1	● Foam, Seat	8	1406-592	1	● Spring, Seat Latch
4	2406-144	1	● Base, Seat - Assembly (inc. 5-6)	9	1506-156	1	● Latch, Seat
5	0406-879	2	●● Bumper, Seat - Rear	10	0441-587	1	Wrench, Spanner



STEERING ASSEMBLY

0742-327

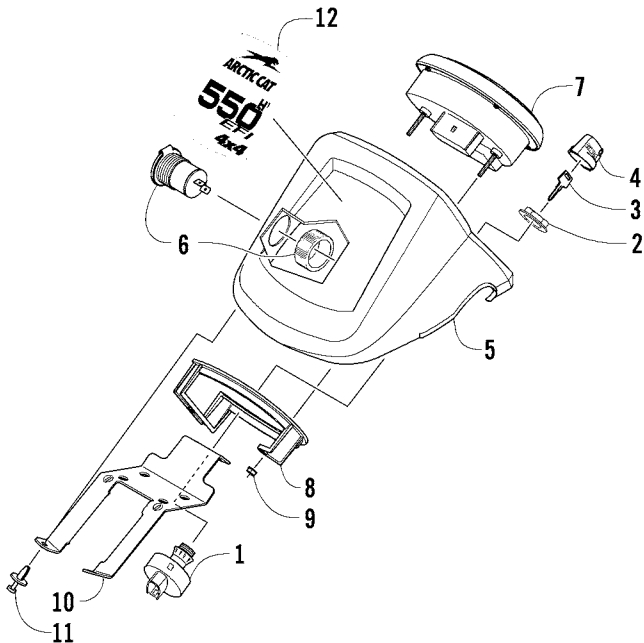
Ref	Part No.	New Qty	Description	Ref	Part No.	New Qty	Description
1	8408-860	4	Screw, Cap	14	0505-511	2	● End, Tie Rod - Left-Hand Thread - Kit (inc. 15-16)
2	0405-035	4	Cap, Steering Adjuster	15	-	2	●● End, Tie Rod - Left-Hand Thread - Not a Service Part
3	0423-505	2	Screw, Shoulder	16	0423-013	2	●● Nut - Left-Hand Thread
4	0505-484	1	Cap, Housing	17	0405-281	2	● Tie Rod
5	0405-138	1	Housing, Lower	18	0505-510	2	● End, Tie Rod - Right-Hand Thread - Kit (inc. 19-20)
6	0405-139	1	Housing, Upper	19	-	2	●● End, Tie Rod - Right-Hand Thread - Not a Service Part
7	0505-451	1	Post, Steering	20	8420-002	2	●● Nut - Right-Hand Thread
8	8408-816	2	Screw, Cap	21	0423-157	4	Nut, Lock
9	0602-233	1	Flange, Bearing	22	0623-175	4	Pin, Cotter
10	0405-052	1	Bearing w/Inverted Oil Seal				
11	0423-073	1	Washer				
12	8409-020	1	Screw, Cap				
13	0505-499	2	Tie Rod - Assembly (inc. 14-20)				



HANDLEBAR ASSEMBLY

0744-426

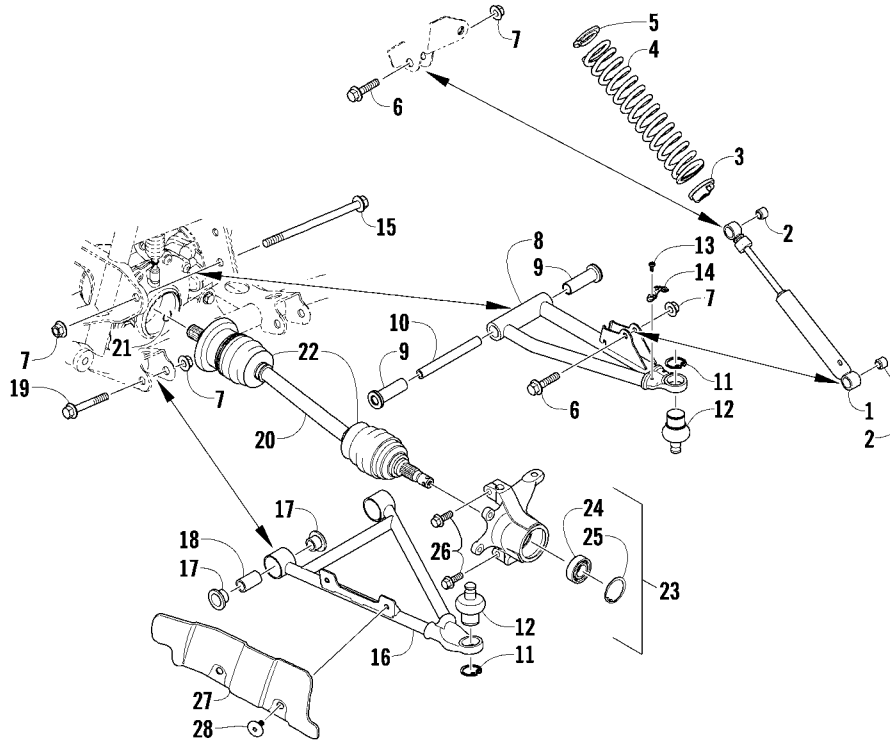
Ref	Part No.	New	Qty	Description	Ref	Part No.	New	Qty	Description
1	0505-418		1	Handlebar	12	0409-133	X	1	● Lever, Throttle
2	0405-218		2	Plug, Handlebar	13	3423-014		1	● Screw, Machine
3	0405-147		2	Grip, Handlebar	14	3423-327		1	● Nut
4	0405-149		2	End Cap, Handlebar	15	3423-199		2	● Screw, Machine
5	8050-247		2	Washer	16	0411-966		1	Decal, Warning - Differential Lock
6	8477-845		2	Screw, Machine	17	1411-865		1	Decal, Warning - Brake Lever Lock
7	0509-050	X	1	Case, Throttle - Assembly (inc. 8-15)	18	3409-019		1	Cover, Switch Housing
8	0409-141	X	1	● Cover, Throttle Case w/Switch	19	0509-014		1	Switch, Control - Assembly (inc. 20-21)
9	3007-392		1	● Screw, Cap	20	0409-028		1	● Screw, Machine
10	3004-447		1	● Washer, Lock	21	0409-027		1	● Screw, Machine
11	3003-030		1	● Washer					



INSTRUMENT POD ASSEMBLY

0744-538

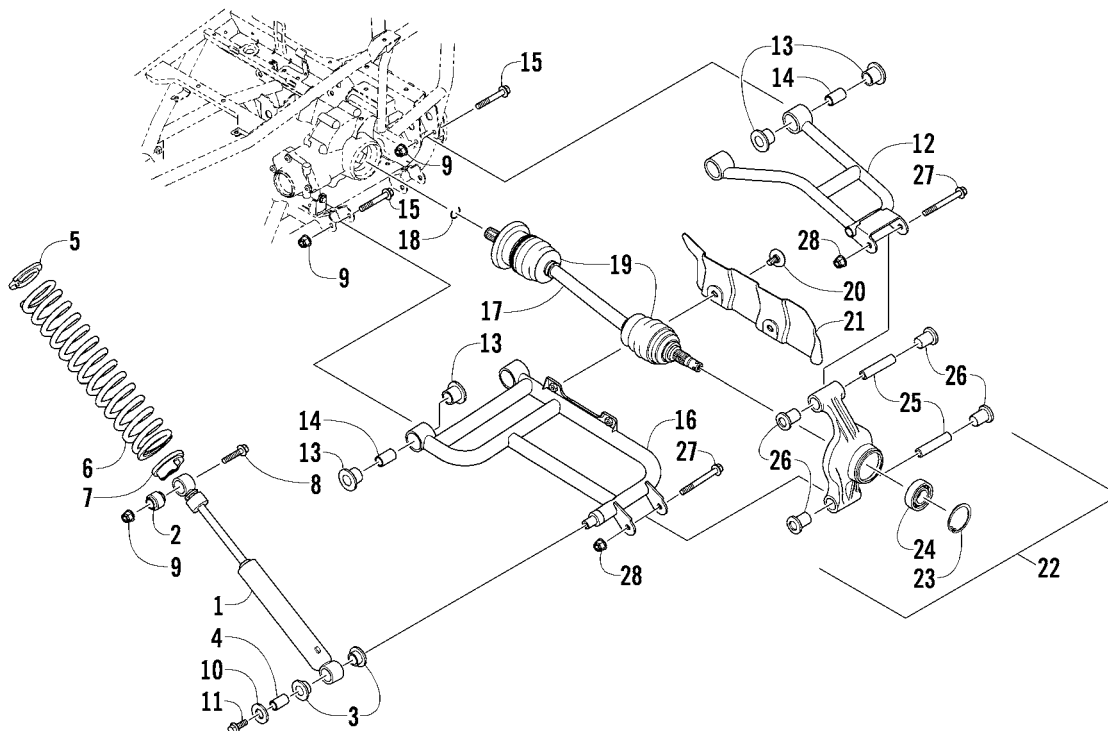
Ref	Part No.	New	Qty	Description	Ref	Part No.	New	Qty	Description
1	0430-090		1	Switch, Ignition - Assembly (inc. 2-4)	6	0641-897		1	Outlet, Accessory - 12V
2	0430-050		1	● Nut, Retaining	7	0520-064	X	1	Gauge, LCD (4EUSG/4EUSH/4EOSG)
3	0430-042		1	● Key, Ignition - Y Series - Left-Side Cut		0520-065	X	1	Gauge, LCD (4EUSM/4EOSM)
	0430-043		1	● Key, Ignition - Z Series - Right-Side Cut	8	0420-065		1	Bracket, Retaining
4	0430-054		1	● Cover, Key	9	0423-493		2	Nut w/Washer
5	0405-274		1	Instrument Pod - Green (4EUSG/4EOSG)	10	2506-470		1	Bracket, Mounting - Instrument Pod
	0505-600	X	1	Instrument Pod - Timber Camo (4EUSH)	11	0423-535		2	Rivet, Reinstallable
	0505-589	X	1	Instrument Pod - Metallic Cat Green (4EUSM/4EOSM)	12	1411-875		1	Decal, Instrument Pod



FRONT SUSPENSION ASSEMBLY

0744-483

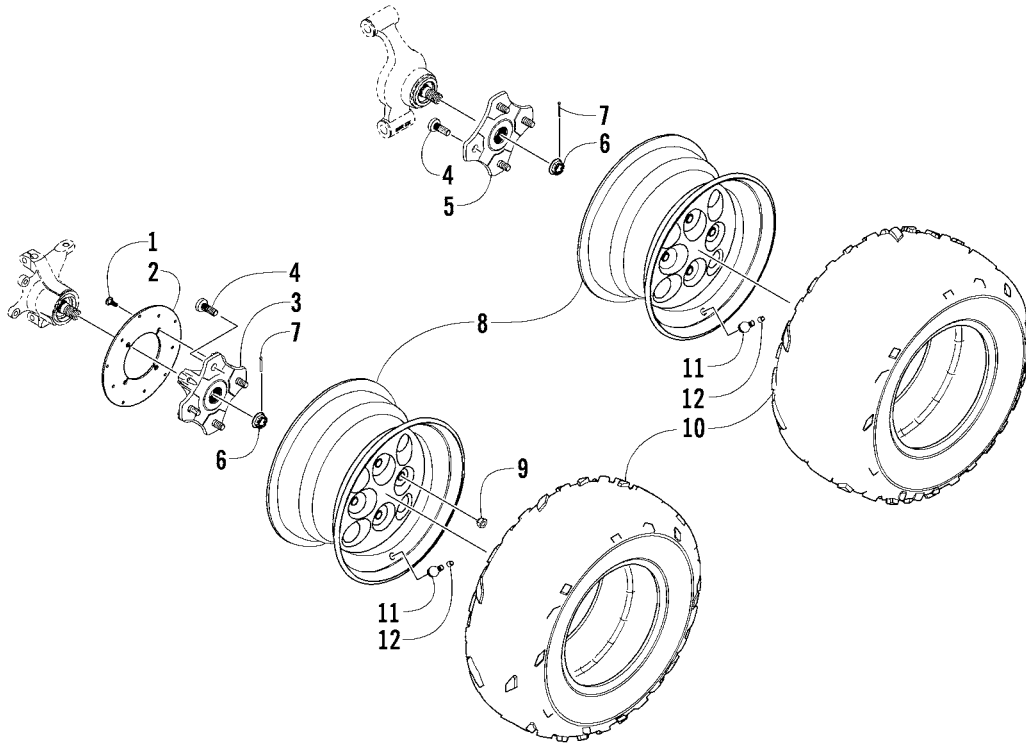
Ref	Part No.	New	Qty	Description	Ref	Part No.	New	Qty	Description
1	0403-209		2	Shock Absorber (inc. 2)	17	0403-208	X	8	● Bushing
2	0403-182		4	● Bushing	18	0403-214	X	4	● Axle
3	0403-102		2	Cam, Spring Adjuster	19	8409-075		4	Screw, Cap
4	0503-353		2	Spring, Suspension - Black (4EUSG/4EUSH/4EOSG)	20	1502-344		1	Axle, Drive - Right (inc. 21-22)
	0503-354		2	Spring, Suspension - Platinum (4EUSM/4EOSM)	21	1502-345		1	Axle, Drive - Left (inc. 21-22)
5	1603-889		2	Retainer, Spring	22	0436-276		2	● Repair Kit, Boot
6	8409-040		4	Screw, Cap	23	0505-576		1	Knuckle - Assembly - Right (inc. 24-25)
7	0423-744		10	Nut, Lock	24	0505-577		1	Knuckle - Assembly - Left (inc. 24-25)
8	0503-416	X	1	A-Arm, Upper Right - Black (inc. 9-12) (4EUSG/4EUSH/4EOSG)	24	1402-809		2	● Bearing
	0503-417	X	1	A-Arm, Upper Left - Black (inc. 9-12) (4EUSG/4EUSH/4EOSG)	25	0423-423		2	● Ring, Retaining
	0503-420	X	1	A-Arm, Upper Right - Platinum (inc. 9-12) (4EUSM/4EOSM)	26	8409-030		4	Screw, Cap
	0503-421	X	1	A-Arm, Upper Left - Platinum (inc. 9-12) (4EUSM/4EOSM)	27	1441-002		1	Guard, Boot - Right - Green (4EUSG/4EOSG)
9	0403-207	X	4	● Bushing		1441-003		1	Guard, Boot - Left - Green (4EUSG/4EOSG)
10	0403-080		2	● Axle		1406-034		1	Guard, Boot - Right - Black (4EUSH/4EUSM/4EOSM)
11	0423-009		4	● Ring, Retaining		1406-035		1	Guard, Boot - Left - Black (4EUSH/4EUSM/4EOSM)
12	0405-115		4	● Ball Joint	28	0423-545		4	Screw, Shoulder
13	0423-946	X	4	Screw, Self-Tapping					
14	1502-594	X	2	Clamp, Routing					
15	0423-334		2	Screw, Cap					
16	0503-376		1	A-Arm, Lower Right - Black (inc. 17-18 and two No. 11-12) (4EUSG/4EUSH/4EOSG)					
	0503-377		1	A-Arm, Lower Left - Black (inc. 17-18 and two No. 11-12) (4EUSG/4EUSH/4EOSG)					
	0503-380		1	A-Arm, Lower Right - Platinum (inc. 17-18 and two No. 11-12) (4EUSM/4EOSM)					
	0503-381		1	A-Arm, Lower Left - Platinum (inc. 17-18 and two No. 11-12) (4EUSM/4EOSM)					



REAR SUSPENSION ASSEMBLY

0744-446

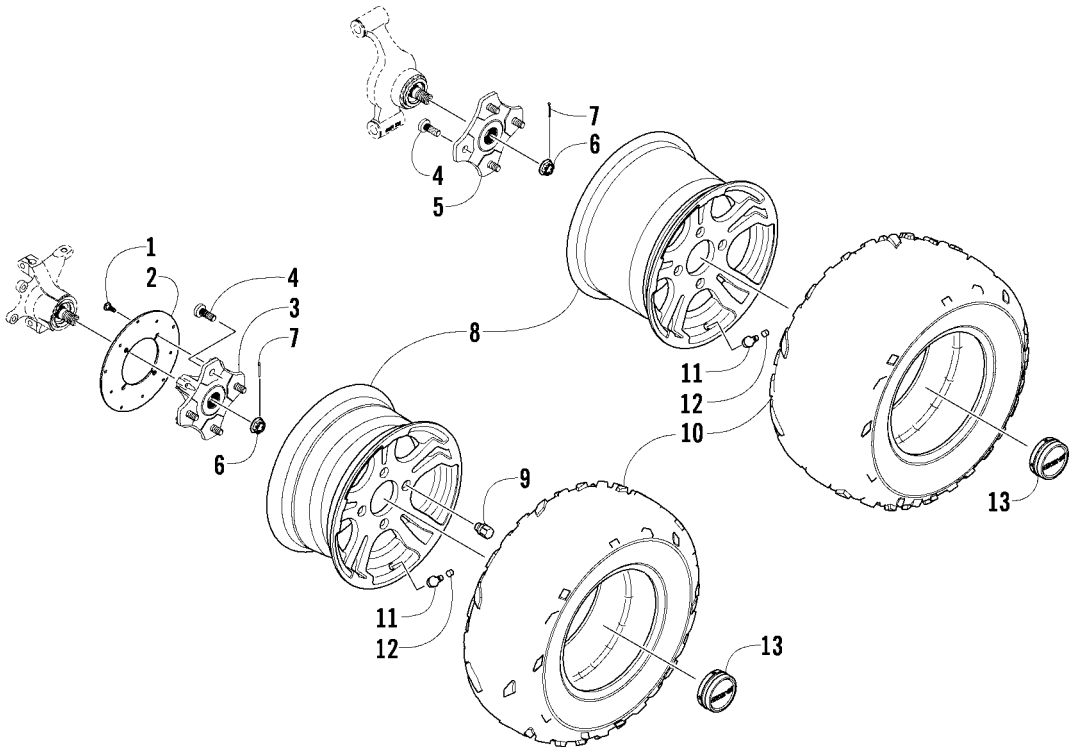
Ref	Part No.	New	Qty	Description	Ref	Part No.	New	Qty	Description
1	0404-158		2	Shock Absorber (inc. 2-4)	17	1502-343		2	Axle, Drive (inc. 18-19)
2	0403-182		2	● Bushing	18	0423-845		2	● Clip, Retaining
3	0603-955		4	● Bushing	19	0436-276		2	● Repair Kit, Boot
4	1603-219		2	● Sleeve	20	0423-545		4	Screw, Shoulder
5	1603-889		2	Retainer, Spring	21	1441-004		1	Guard, Boot - Rear - Right - Green (4EUSG/4EOSG)
6	0504-536		2	Spring, Suspension - Black (4EUSG/4EUSH/4EOSG)		1441-005		1	Guard, Boot - Rear - Left - Green (4EUSG/4EOSG)
	0504-538		2	Spring, Suspension - Platinum (4EUSM/4EOSM)		1406-068		1	Guard, Boot - Rear - Right - Black (4EUSH/4EUSM/4EOSM)
7	0404-057		2	Cam, Spring Adjuster		1406-069		1	Guard, Boot - Rear - Left - Black (4EUSH/4EUSM/4EOSM)
8	8409-040		1	Screw, Cap - Right	22	0504-548		1	Knuckle, Right Rear - Assembly (inc. 23-26)
	8409-050		1	Screw, Cap - Left		0504-549		1	Knuckle, Left Rear - Assembly (inc. 23-26)
9	0423-744		10	Nut, Lock	23	0423-423		2	● Ring, Retaining
10	0423-087		2	Washer	24	1402-809		2	● Bearing
11	8408-820		2	Screw, Cap	25	0403-213	X	4	● Axle
12	0504-582		1	A-Arm, Rear - Upper Right - Black (inc. 13-14) (4EUSG/4EUSH/4EOSG)	26	0403-206	X	4	● Bushing
	0504-583		1	A-Arm, Rear - Upper Left - Black (inc. 13-14) (4EUSG/4EUSH/4EOSG)	27	8409-000		8	Screw, Cap
	0504-586		1	A-Arm, Rear - Upper Right - Platinum (inc. 13-14) (4EUSM/4EOSM)	28	8428-002		4	Nut, Lock
	0504-587		1	A-Arm, Rear - Upper Left - Platinum (inc. 13-14) (4EUSM/4EOSM)					
13	0403-208	X	16	● Bushing					
14	0403-214	X	8	● Axle					
15	8409-075		8	Screw, Cap					
16	0504-572		1	A-Arm, Rear - Lower Right - Black (inc. 13-14) (4EUSG/4EUSH/4EOSG)					
	0504-573		1	A-Arm, Rear - Lower Left - Black (inc. 13-14) (4EUSG/4EUSH/4EOSG)					
	0504-576		1	A-Arm, Rear - Lower Right - Platinum (inc. 13-14) (4EUSM/4EOSM)					
	0504-577		1	A-Arm, Rear - Lower Left - Platinum (inc. 13-14) (4EUSM/4EOSM)					



WHEEL AND TIRE ASSEMBLY (4EUSG/4EUSH/4EOSG)

0743-964

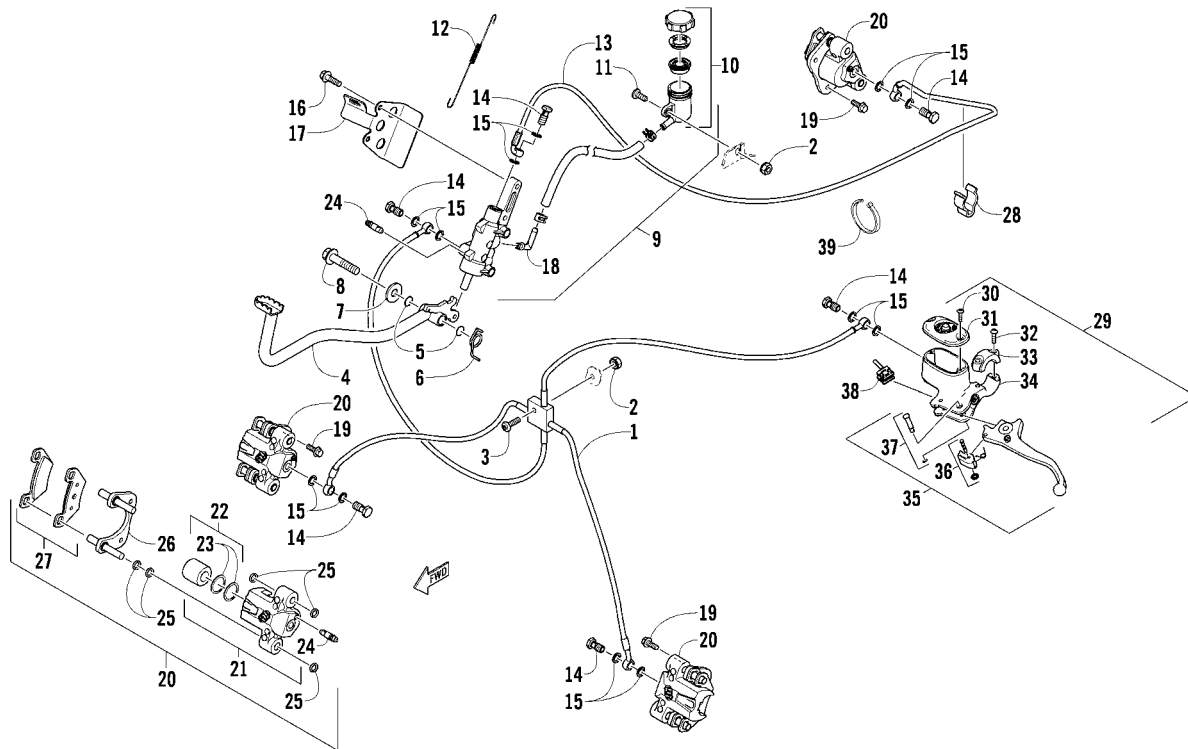
Ref	Part No.	New Qty	Description	Ref	Part No.	New Qty	Description
1	0423-557	12	Screw, Shoulder	9	0423-408	16	Nut, Lug
2	1436-164	3	Disc, Brake	10	1402-658	2	Tire - Front
3	3323-100	2	Hub, Wheel - Front (inc. 4)		1402-659	2	Tire - Rear
4	0402-974	16	● Stud	11	0402-064	4	Stem, Valve (inc. 12)
5	3323-100	1	Hub, Wheel - Rear - Right (inc. 4)	12	0402-140	4	● Cap, Valve Stem
	3323-113	1	Hub, Wheel - Rear - Left (inc. 4)				
6	0423-607	4	Nut, Castle				
7	0423-407	4	Pin, Cotter				
8	1402-778	2	Wheel - Front - Gray (4EUSG/4EOSG)				
	1402-779	2	Wheel - Rear - Gray (4EUSG/4EOSG)				
	1402-780	2	Wheel - Front - Black (4EUSH)				
	1402-781	2	Wheel - Rear - Black (4EUSH)				



WHEEL AND TIRE ASSEMBLY (4EUSM/4EOSM)

0743-965

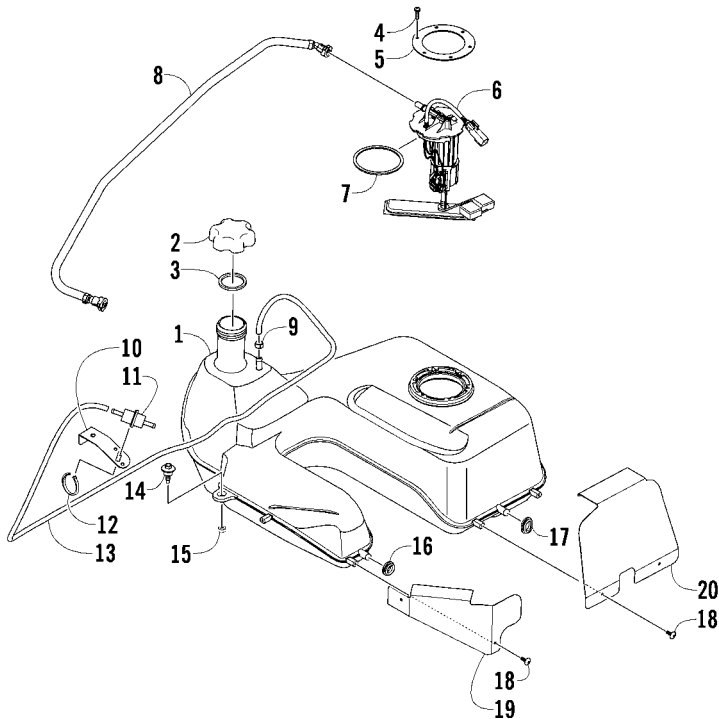
Ref	Part No.	New Qty	Description	Ref	Part No.	New Qty	Description
1	0423-557		12 Screw, Shoulder	8	1402-730	2	Wheel - Front - Aluminum
2	1436-164		3 Disc, Brake		1402-731	2	Wheel - Rear - Aluminum
3	3323-100		2 Hub, Wheel - Front (inc. 4)	9	0423-618	16	Nut, Lug - Chrome
4	0402-974		16 ● Stud	10	1402-658	2	Tire - Front
5	3323-100		1 Hub, Wheel - Rear - Right (inc. 4)		1402-659	2	Tire - Rear
	3323-113		1 Hub, Wheel - Rear - Left (inc. 4)	11	0402-064	4	Stem, Valve (inc. 12)
6	0423-607		4 Nut, Castle	12	0402-140	4	● Cap, Valve Stem
7	0423-407		4 Pin, Cotter	13	1402-736	4	Cap, Wheel



HYDRAULIC BRAKE ASSEMBLY

0744-536

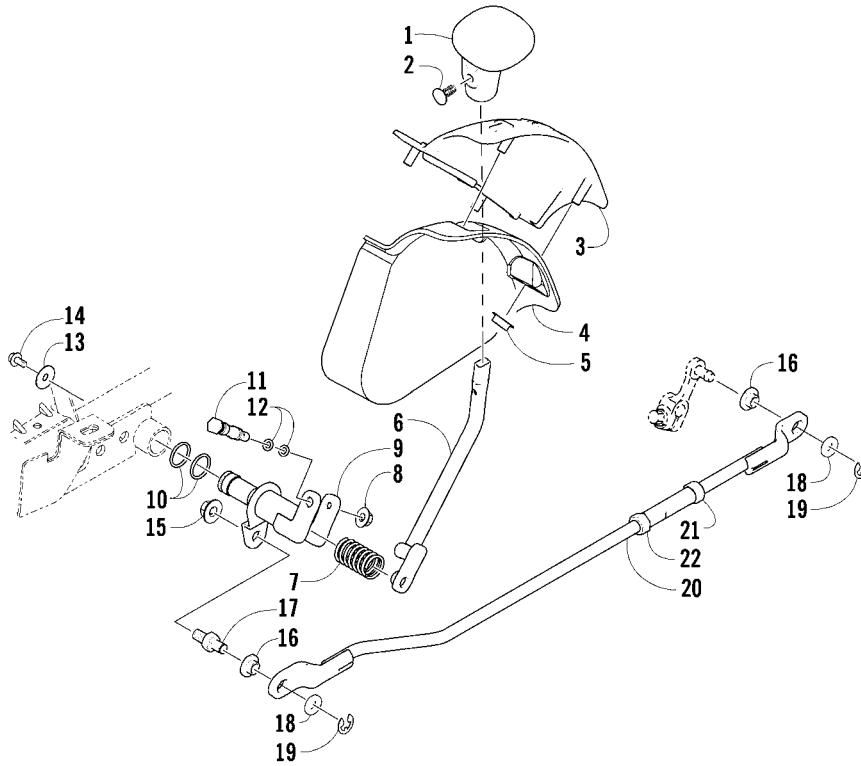
Ref	Part No.	New	Qty	Description	Ref	Part No.	New	Qty	Description
1	1502-015		1	Hose, Brake - Assembly	21	1436-160		1	● Housing, Caliper - Assembly - Right Front (inc. two No. 19 and 22-24)
2	0623-038		2	Nut w/Washer		1436-161		1	● Housing, Caliper - Assembly - Left Front (inc. two No. 19 and 22-24)
3	8476-625		1	Screw, Machine		1436-161		1	● Housing, Caliper - Assembly - Rear (inc. two No. 19 and 22-24)
4	1502-063		1	Lever, Brake	22	0502-606		3	●● Piston/Seal Set (inc. 23)
5	1602-213		2	O-Ring	23	0502-607		3	●●● Seal Set
6	0502-807		1	Spring, Brake Lever	24	0502-609		4	●● Valve, Bleed
7	8050-252		1	Washer	25	0502-608		3	● O-Ring, Guide - Set
8	8408-816		1	Screw, Cap	26	0502-605		3	● Bracket Assembly
9	1502-293		1	Brake Assembly (inc. 10)	27	1502-694	X	3	● Pad, Brake - Set
10	1502-155		1	● Reservoir, Brake w/Clamp	28	1502-115		2	Clip, Brake Hose
11	8476-616		1	Screw, Machine	29	0502-914		1	Brake Assembly (inc. 30-38)
12	0502-785		1	Spring, Brake Switch	30	0502-566		1	● Screw, Machine - Kit
13	1502-593	X	1	Hose, Brake	31	0502-868		1	● Cover, Reservoir
14	0423-413		6	Bolt, Banjo-Fitting	32	0502-568		1	● Screw, Machine - Kit
15	0423-178		12	Washer, Crush	33	0502-869		1	● Clamp, Master Cylinder
16	8408-625		2	Screw, Cap	34	0502-704		1	● Master Cylinder Assembly
17	1502-179		1	Bracket, Switch	35	0502-866		1	● Lever Assembly - Kit (inc. 36-37)
18	1502-296		1	Adapter, Hose	36	0502-867		1	●● Lock, Brake Lever - Kit
19	8408-821		6	Screw, Cap	37	0502-580		1	●● Lever Pin - Kit
20	1502-726	X	1	Caliper, Brake - Right Front (inc. two No. 19 and 21-27)	38	0502-564		1	● Switch, Brake
	1502-727	X	1	Caliper, Brake - Left Front (inc. two No. 19 and 21-27)	39	0123-788		AR	Tie, Cable - 8 in.
	1502-727	X	1	Caliper, Brake - Rear (inc. two No. 19 and 21-27)					



GAS TANK ASSEMBLY

0744-428

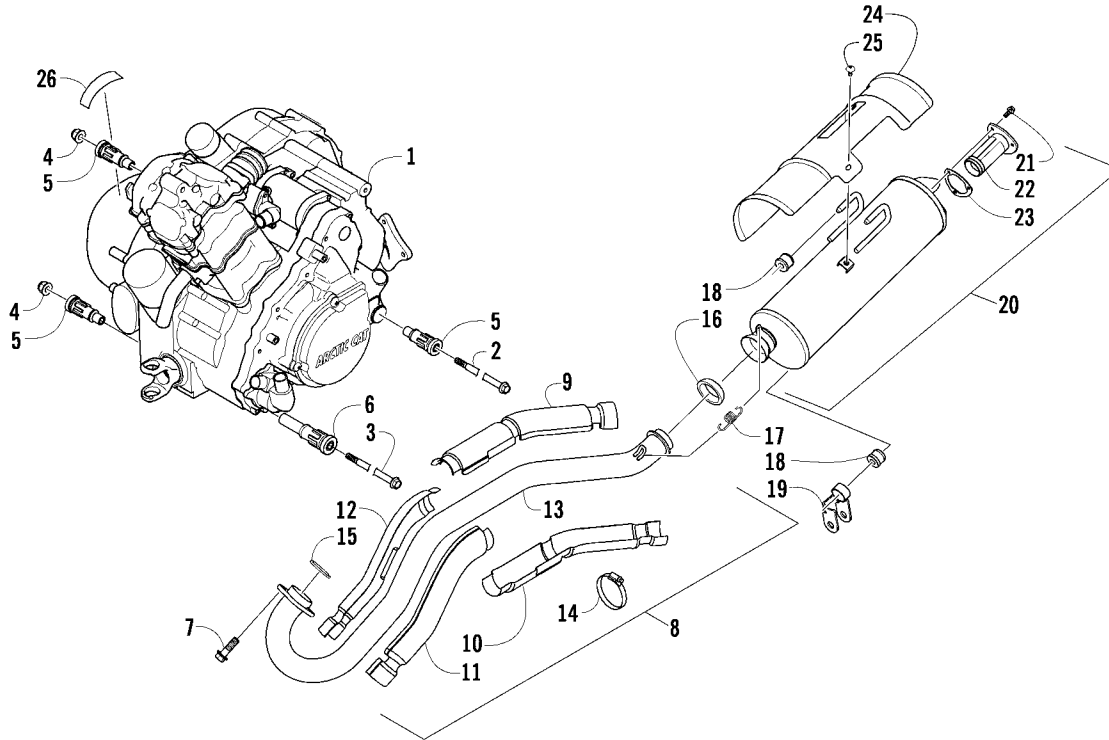
Ref	Part No.	New	Qty	Description	Ref	Part No.	New	Qty	Description
1	0570-307	X	1	Tank, Gas - Assembly (inc. 2-5)	11	0510-335		1	Filter, In-Line
2	0470-438		1	● Cap, Gas Tank (inc. 3)	12	0123-788	AR		Tie, Cable - 8 in.
3	0109-733		1	●● Gasket, Gas Tank Cap	13	0410-070	AR		Hose, Gasline - 25 ft
4	0423-898	X	6	● Screw, Self-Tapping	14	0423-732		2	Screw, Shoulder
5	2670-042	X	1	● Plate, Retaining	15	0623-038		1	Nut w/Washer
6	0570-322	X	1	Pump, Fuel - Assembly (inc. 7)	16	0423-460		1	Grommet
7	0470-838	X	1	● Seal	17	0423-806		1	Grommet
8	0570-317	X	1	Hose, Fuel - Assembly	18	0623-797		4	Screw, Self-Tapping
9	0423-688		1	Clamp, Hose	19	0470-709		1	Shield, Heat - Gas Tank - Front
10	0470-827		1	Bracket, Filter Mounting	20	0470-710		1	Shield, Heat - Gas Tank - Rear



SHIFT LEVER ASSEMBLY

0744-539

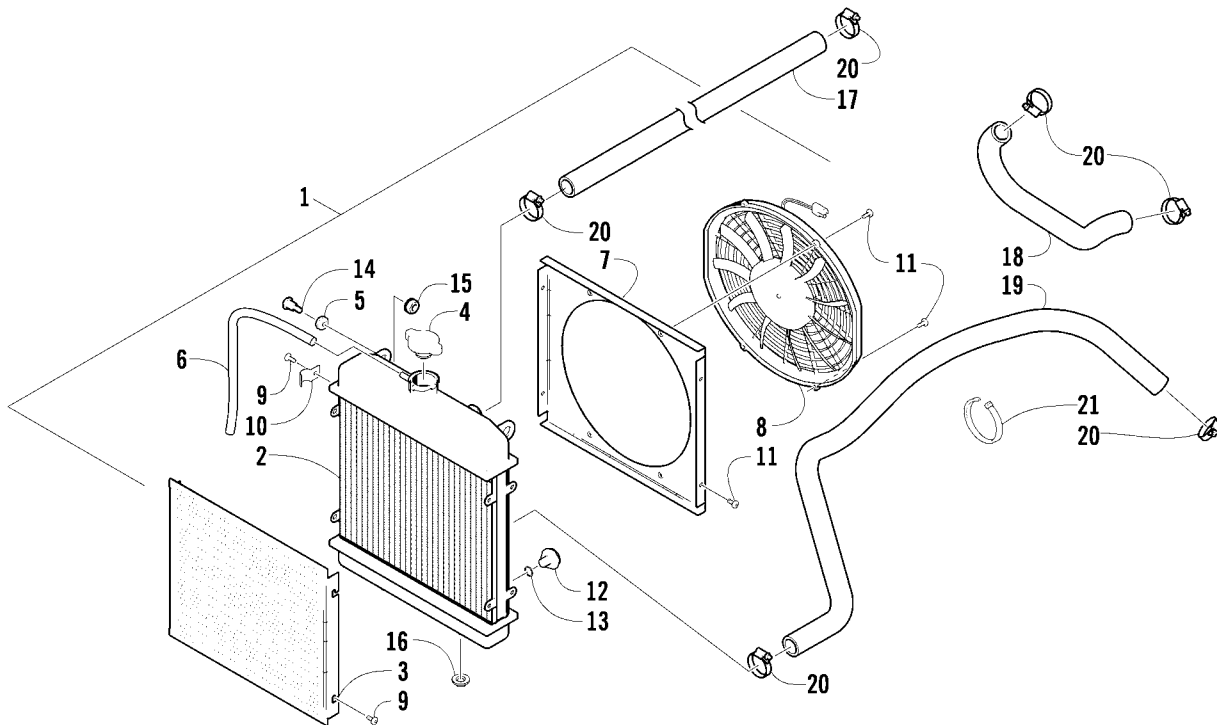
Ref	Part No.	New Qty	Description	Ref	Part No.	New Qty	Description
1	0402-843	1	Knob, Shift	12	0423-182	2	O-Ring
2	0423-345	1	Clip, Retaining	13	0423-087	1	Washer
3	1402-562	1	Plate, Shift	14	8408-812	1	Screw, Cap
4	2406-348	1	Shield, Shift Plate	15	8424-802	1	Nut
5	0423-357	4	Nut, Stamped	16	0423-091	2	Bushing
6	0502-659	1	Lever, Shift	17	1402-621	1	Pin, Mounting
7	0402-678	1	Spring, Shift Lever	18	0623-094	2	Washer
8	8424-602	1	Nut	19	0423-169	2	E-Ring
9	1502-332	1	Actuator, Shift	20	1502-622	X 1	Linkage, Shift - Assembly (inc. 21-22)
10	0423-299	2	O-Ring	21	0623-294	1	● Nut, Hex - Right-Hand Thread
11	0402-675	1	Axle, Pivot	22	0123-917	1	● Nut, Hex - Left-Hand Thread



ENGINE AND EXHAUST

0743-292

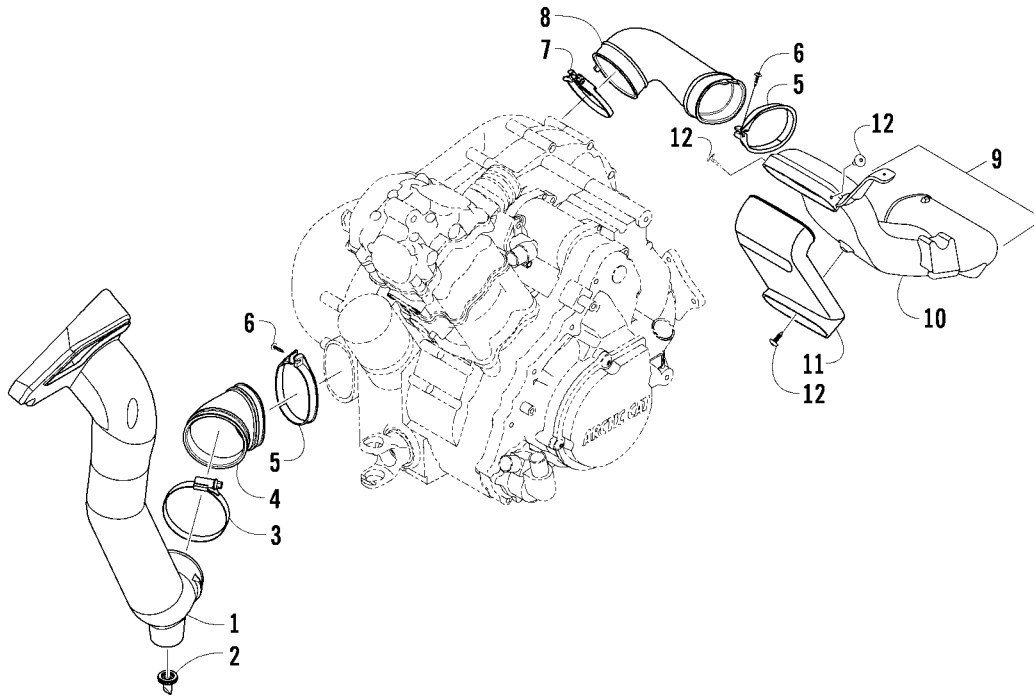
Ref	Part No.	New	Qty	Description	Ref	Part No.	New	Qty	Description
1	0800-093	X	1	Engine, A550F	14	0423-317		4	● Clamp
2	0423-451		1	Screw, Cap	15	0412-338		1	Gasket, Exhaust
3	0423-405		1	Screw, Cap	16	0412-375		1	Seal, Exhaust
4	8428-002		2	Nut, Lock	17	0612-668		2	Spring, Extension
5	0801-129		3	Mount, Rubber - Engine	18	0412-215		3	Bushing
6	0801-122		1	Mount, Rubber - Engine	19	1506-732		1	Channel, Muffler Support
7	8408-820		2	Screw, Cap	20	0512-355		1	Muffler - Assembly (inc. 21-23)
8	0512-345		1	Pipe, Exhaust - Assembly (inc. 9-14)	21	8408-616		3	● Screw, Cap
9	0412-350		1	● Shield, Exhaust Pipe - Outer - Rear	22	0512-219		1	● Arrestor, Spark - Assembly
10	0412-339		1	● Shield, Exhaust Pipe - Inner - Rear	23	0412-313		1	● Gasket, Spark Arrestor
11	0412-349		1	● Shield, Exhaust Pipe - Inner - Front	24	0412-373		1	Cover, Muffler
12	0412-348		1	● Shield, Exhaust Pipe - Outer - Front	25	8477-610		3	Screw, Machine
13	0512-344		1	● Pipe, Exhaust	26	0411-426		1	Decal, Warning - Clutch Cover



COOLING ASSEMBLY

0743-425

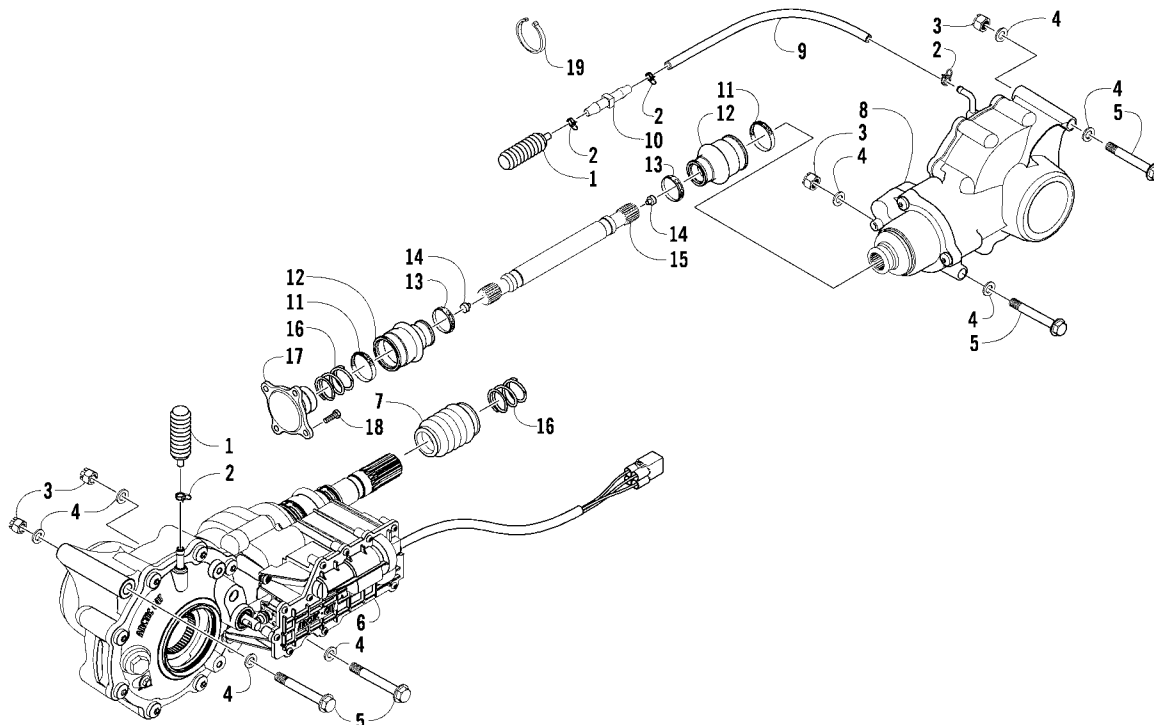
Ref	Part No.	New Qty	Description	Ref	Part No.	New Qty	Description
1	0413-199	1	Radiator Assembly (inc. 2-13)	11	0623-378	8	● Screw, Self-Tapping
2	0413-205	1	● Radiator	12	0413-195	1	● Plug, Drain
3	0413-007	1	● Screen	13	1602-213	1	● O-Ring
4	0413-002	1	● Cap	14	0423-484	2	Screw, Shoulder
5	0423-030	2	● Grommet	15	0623-038	2	Nut w/Washer
6	0610-016	AR	● Hose - 25 ft	16	0423-028	2	Bushing, Stem
	0610-015	AR	● Hose - 100 ft	17	0410-002	1	Hose, Coolant - Upper
7	0413-203	1	● Shroud, Fan	18	0410-022	1	Hose, Coolant - Crossover
8	0413-123	1	● Fan, Cooling	19	0410-041	1	Hose, Coolant - Lower
9	8475-512	4	● Screw, Machine	20	0423-496	6	Clamp, Hose
10	0423-351	1	● Clamp, Wire	21	0123-903	AR	Tie, Cable - 11.5 in.



CASE/BELT COOLING ASSEMBLY

0744-543

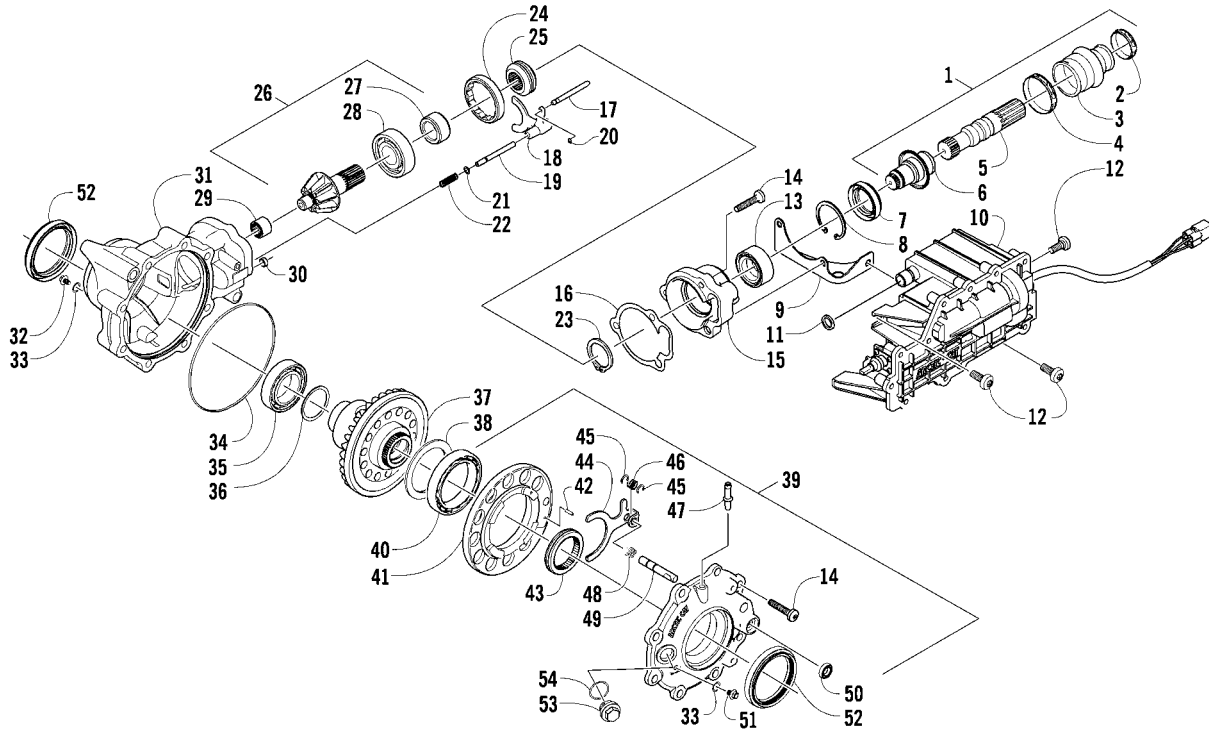
Ref	Part No.	New Qty	Description	Ref	Part No.	New Qty	Description
1	0413-115	1	Duct, Air Intake - Front - Lower	8	0413-206	1	Boot, Duct - Air Out - Rear
2	0470-442	1	Valve, Drain	9	0470-824	1	Duct, Air Out - Rear (inc. 10-11 and three No. 12)
3	0423-578	1	Clamp	10	0470-825	1	● Duct
4	0413-160	1	Boot, Duct - Air Intake - Front	11	0470-778	1	● Duct
5	0423-550	2	Clamp	12	0623-784	4	● Screw, Self-Tapping
6	0423-342	2	Screw, Self-Tapping				
7	0423-730	1	Clamp				



DRIVE TRAIN ASSEMBLY

0743-966

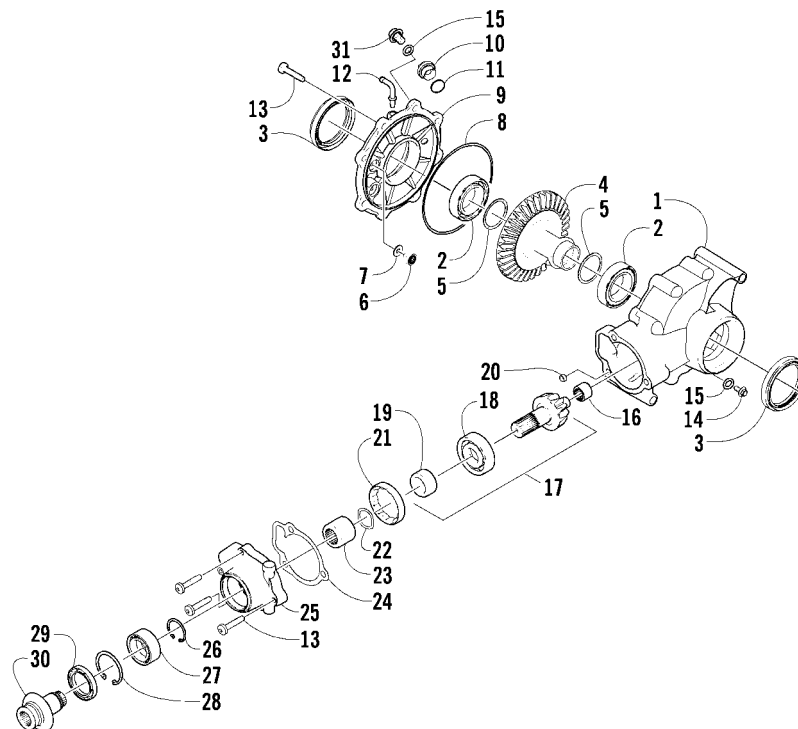
Ref	Part No.	New Qty	Description	Ref	Part No.	New Qty	Description
1	1402-620	2	Bladder, Gearcase	11	0423-393	2	Clamp
2	0423-315	4	Clamp, Hose	12	0402-985	2	Boot
3	8428-002	4	Nut, Lock	13	0423-411	2	Clamp
4	0423-426	8	Washer	14	0673-618	2	Bumper, Propeller Shaft
5	0423-404	4	Screw, Cap	15	1402-233	1	Shaft, Propeller
6	1502-394	1	Gearcase, Front	16	1402-026	2	Spring
7	0402-966	1	Boot, Shaft	17	0402-950	1	Flange, Output
8	1502-402	1	Gearcase, Rear	18	8408-820	4	Screw, Cap
9	0410-048	AR	Hose, Vent	19	0123-788	AR	Tie, Cable - 8 in.
10	0470-702	1	Fitting, Vent				



FRONT DRIVE GEARCASE ASSEMBLY

0743-250

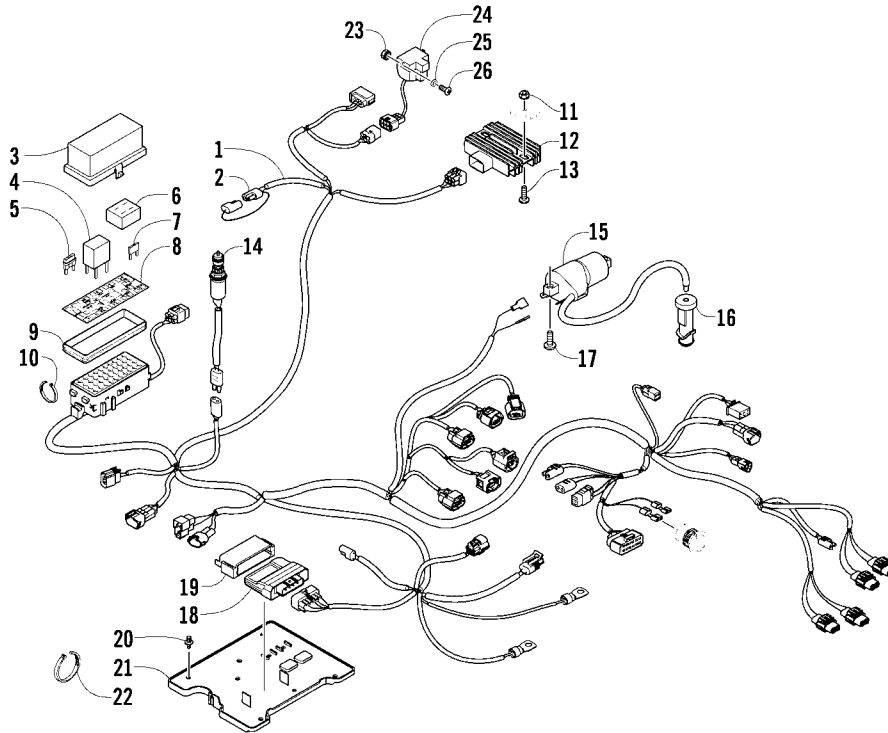
Ref	Part No.	New	Qty	Description	Ref	Part No.	New	Qty	Description
-	1502-394		1	Complete Front Drive Gearcase Assembly	31	0502-514		1	Housing, Gearcase
1	1502-083		1	Shaft, Propeller - Assembly (inc. 2-6)	32	1402-210		1	Plug, Magnetic (inc. one No. 33)
2	0423-411		1	● Clamp	33	0423-153		2	● O-Ring
3	0402-985		1	● Boot, Propeller Shaft	34	0423-149		1	O-Ring
4	0423-393		1	● Clamp	35	0402-393		1	Bearing
5	1402-045		1	● Shaft, Output	36	0402-405		AR	Shim
6	1502-085		1	● Shaft, Input		0402-406		AR	Shim
7	1402-011		1	Seal		0402-407		AR	Shim
8	0423-423		1	Ring, Retaining		0402-408		AR	Shim
9	1502-237		1	Bracket, Actuator		0402-409		AR	Shim
10	0502-585		1	Actuator	37	1502-555		1	Gear, Ring - 36T
11	0423-892		1	O-Ring	38	1402-074		AR	Shim
12	0423-396		3	Screw, Self-Tapping		1402-075		AR	Shim
13	1402-043		1	Bearing		1402-076		AR	Shim
14	0423-118		11	Screw, Self-Tapping		1402-077		AR	Shim
15	0502-528		1	Housing, Pinion		1402-078		AR	Shim
16	0402-947		1	Gasket, Flange	39	1502-389		1	Cover, Gearcase (inc. one No. 33, 40-51, and one No. 52)
17	0402-997		1	Shaft, Selector	40	1402-053		1	● Bearing
18	0402-998		1	Fork, Selector	41	0502-413		1	● Flange, Bearing
19	0402-417		1	Shaft, Shuttle	42	1402-079		1	● Pin, Parallel
20	0423-402		1	Ring, Retaining	43	1402-042		1	● Collar, Sliding
21	0423-147		1	O-Ring	44	1402-054		1	● Fork
22	0402-999		1	Spring, Return	45	1402-058		2	● Ring, Retaining
23	0423-417		1	Ring, Retaining	46	1402-057		1	● Spring
24	0402-357		1	Collar, Lock	47	1402-104		1	● Fitting
25	0402-413		1	Coupler, Drive	48	1402-063		1	● Spring
26	0502-783		1	Gear, Pinion - Assembly - 10T (inc. 27-28)	49	1402-656		1	● Shaft, Lock
27	0402-336		1	● Collar, Retaining	50	1402-056		1	● Seal
28	0402-327		1	● Bearing	51	1402-211		1	● Plug, Oil Level (inc. one No. 33)
29	0402-328		1	Bearing	52	1402-713		2	● Seal
30	0402-411		1	Pin, Dowel	53	0402-333		1	Plug, Fill (inc. 54)
					54	0423-154		1	● O-Ring



REAR DRIVE GEARCASE ASSEMBLY

0741-524

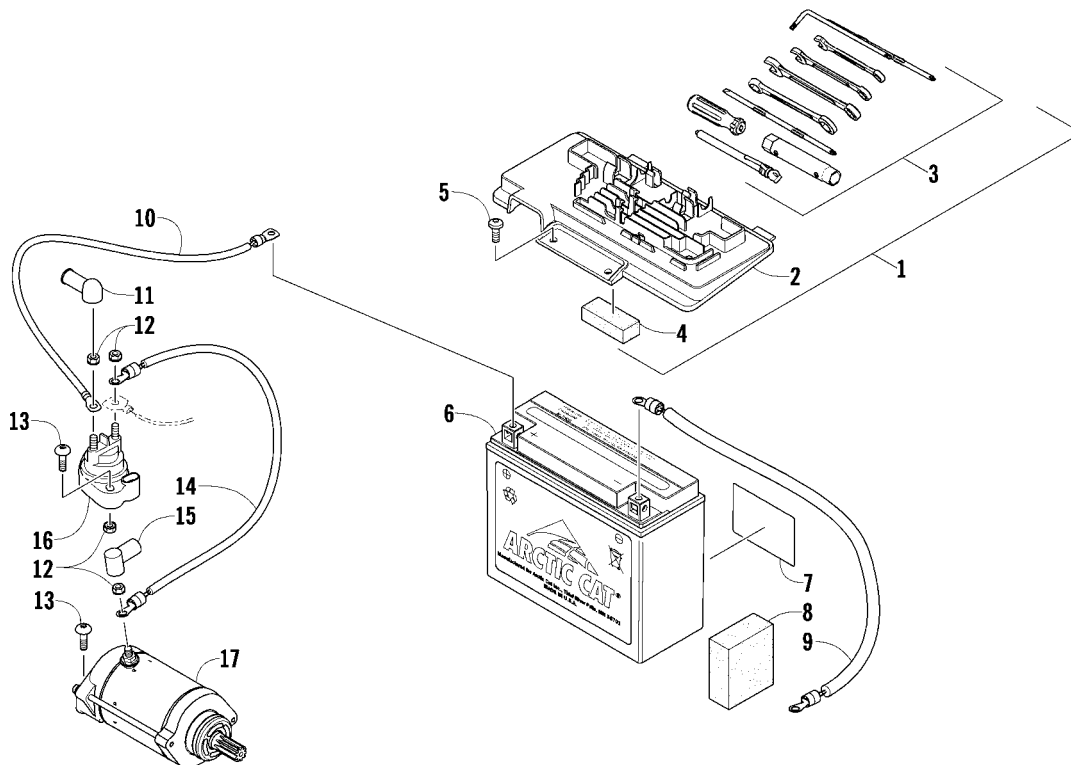
Ref	Part No.	New Qty	Description	Ref	Part No.	New Qty	Description
-	1502-402	1	Complete Rear Drive Gearcase Assembly	12	1402-102	1	Fitting
1	1502-317	1	Housing, Gearcase	13	0423-118	11	Screw, Self-Tapping
2	0402-393	2	Bearing	14	1402-210	1	Plug, Fill (inc. one No. 15)
3	1402-713	2	Seal	15	0423-153	2	● O-Ring
4	1402-032	1	Gear, Ring - 36T	16	0402-328	1	Bearing
5	0402-405	AR	Shim	17	0502-783	1	Gear, Pinion - Assembly - 10T (inc. 18-19)
	0402-406	AR	Shim	18	0402-327	1	● Bearing
	0402-407	AR	Shim	19	0402-336	1	● Collar, Retaining
	0402-408	AR	Shim	20	0402-411	1	Pin, Dowel
	0402-409	AR	Shim	21	0402-331	1	Collar, Lock
6	0402-326	1	Button, Thrust	22	0402-982	1	Washer, Wave
7	0402-429	AR	Shim	23	0402-981	1	Collar, Shaft
	0402-430	AR	Shim	24	0402-947	1	Gasket, Flange
	0402-431	AR	Shim	25	0502-529	1	Housing, Pinion
	0402-432	AR	Shim	26	0423-417	1	Ring, Retaining
	0402-433	AR	Shim	27	1402-043	1	Bearing
8	0423-149	1	O-Ring	28	0423-423	1	Ring, Retaining
9	1502-082	1	Cover, Gearcase	29	1402-011	1	Seal
10	0402-333	1	Plug, Magnetic (inc. 11)	30	1502-085	1	Shaft, Input
11	0423-154	1	● O-Ring	31	1402-211	1	Plug, Oil Level (inc. one No. 15)



WIRING HARNESS ASSEMBLY

0744-434

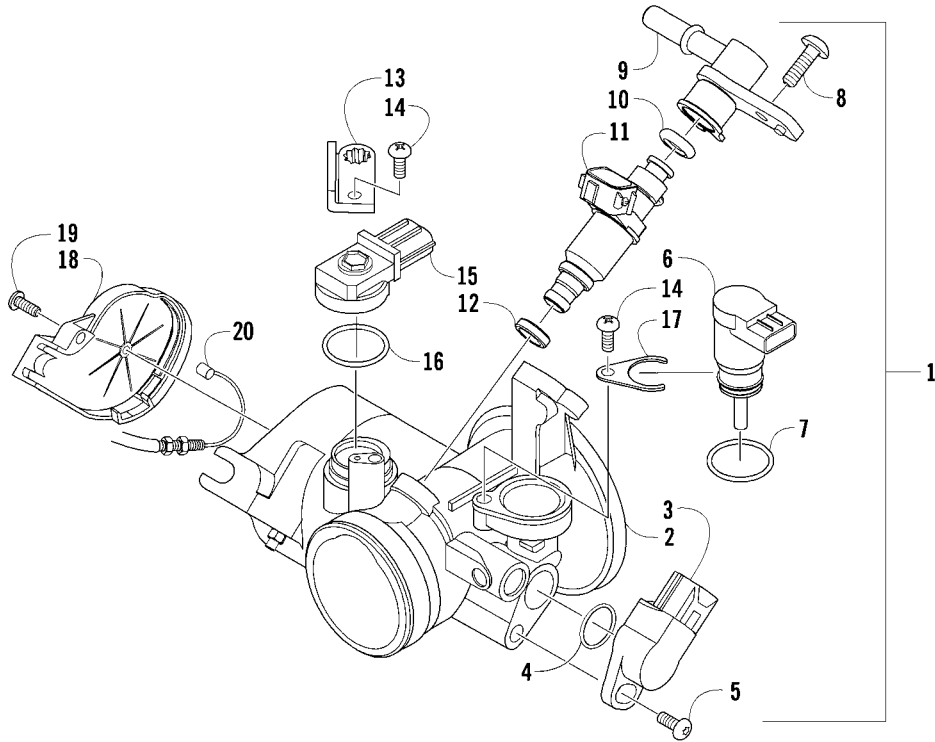
Ref	Part No.	New	Qty	Description	Ref	Part No.	New	Qty	Description
1	0486-337	X	1	Harness, Main (inc. 2-9)	13	8476-625		2	Screw, Machine
2	0486-164		1	● Tether, Accessory Connector	14	0409-089		1	Switch, Brake - Assembly
3	0430-085	X	1	● Cover, Fuse Block	15	0824-043		1	Coil, Ignition
4	0430-045		5	● Relay (4-Pin) - 20 Amp	16	0824-049		1	Cap, Spark Plug
5	0430-034		1	● Diode	17	8476-620		2	Screw, Machine
6	0430-037		1	● Holder, Fuse	18	0530-035	X	1	ECU
7	0430-032		5	● Fuse - 10 Amp	19	0430-076		1	Cushion, ECU
	0430-031		4	● Fuse - 15 Amp	20	0623-362		3	Rivet, Reinstallable
	0430-030		2	● Fuse - 30 Amp	21	2406-643		1	Tray, Electrical
8	2411-080	X	1	● Decal, Fuse Block	22	0123-903	AR		Tie, Cable - 11.5 in.
9	0430-086	X	1	● Seal	23	0423-493		2	Nut w/Washer
10	0123-788	AR		Tie, Cable - 8 in.	24	0409-064		1	Switch, Tilt Sensor
11	0623-038		2	Nut w/Washer	25	0123-802		2	Washer
12	0824-037		1	Regulator, Voltage	26	8468-425		2	Screw, Machine



BATTERY AND STARTER ASSEMBLY

0744-437

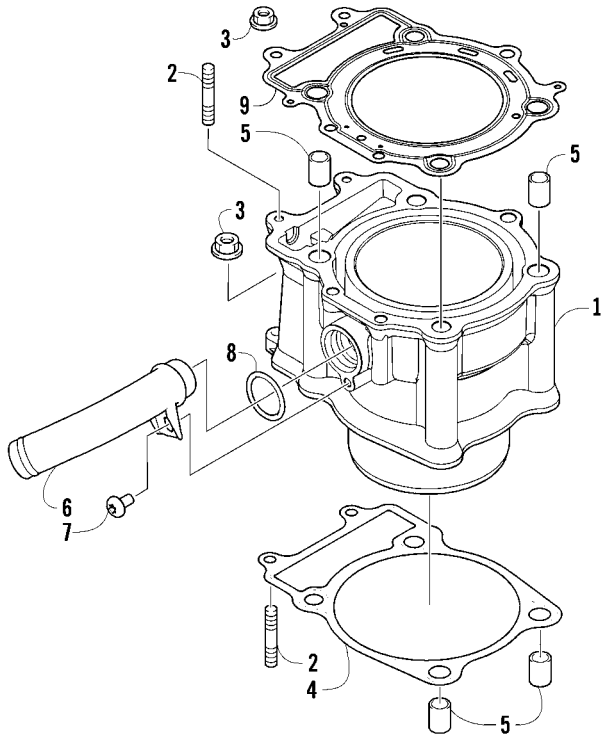
Ref	Part No.	New Qty	Description	Ref	Part No.	New Qty	Description
1	5991-655	1	Battery Cover/Tool Tray Assembly (inc. 2-4)	9	0445-070	1	Cable, Battery/Ground
2	2406-815	1	● Cover, Battery	10	0445-062	1	Cable, Battery/Solenoid
3	0444-122	1	● Kit, Tool	11	0645-327	1	Boot, Terminal
4	0417-016	1	● Pad, Battery	12	0623-038	5	Nut w/Washer
5	8476-620	2	Screw, Machine	13	8476-625	4	Screw, Machine
6	0645-480	1	Battery Assembly (inc. 7)	14	0445-064	1	Cable, Solenoid/Starter (inc. 15)
7	0645-430	1	● Decal, Warning	15	0645-019	1	● Boot, Terminal
8	0417-012	1	Foam, Battery	16	0445-058	1	Solenoid
				17	0825-013	1	Motor, Starter - Assembly



THROTTLE BODY ASSEMBLY

0742-670

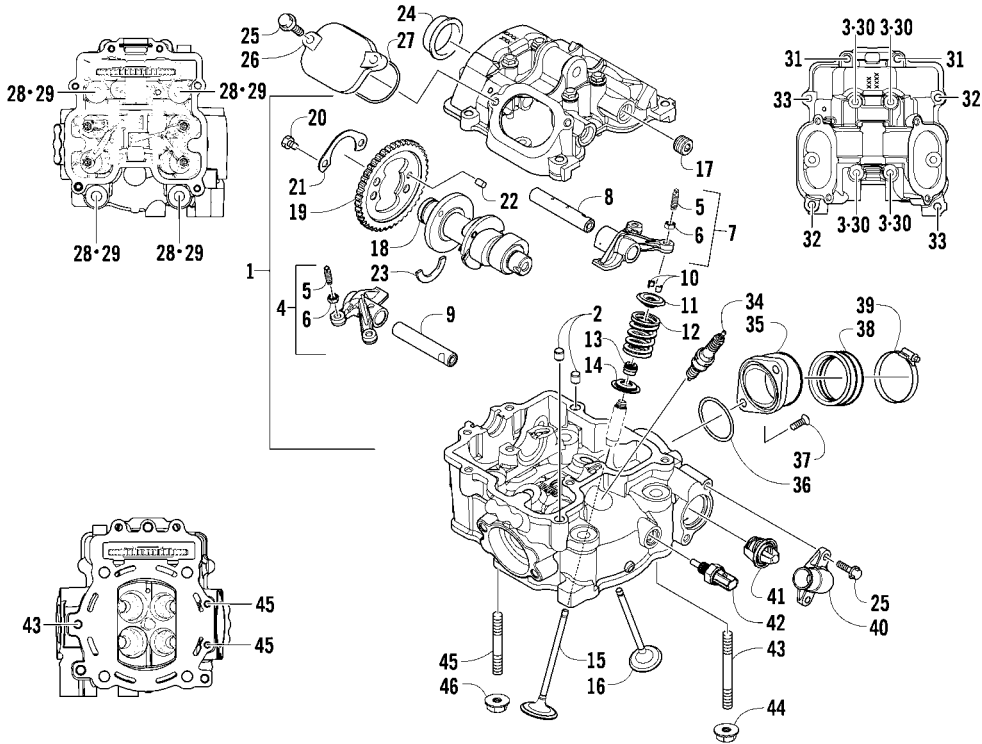
Ref	Part No.	New Qty	Description	Ref	Part No.	New Qty	Description
1	0470-753	1	Throttle - Assembly (inc. 2-19)	11	0470-762	1	● Injector, Fuel
2	-	1	● Throttle Body - Not a Service Part	12	0470-768	1	● Seal
3	0430-072	1	● Sensor, Throttle Position	13	5507-227	1	● Bracket, MAP Sensor
4	5507-234	1	● O-Ring	14	5507-117	2	● Screw, Machine
5	5507-231	1	● Screw, Machine	15	0430-073	1	● Sensor, MAP
6	0430-074	1	● Valve, ISC	16	5507-232	1	● O-Ring
7	5507-233	1	● O-Ring	17	5507-229	1	● Plate, ISC Valve
8	5507-238	1	● Screw, Machine	18	5507-223	1	● Cover
9	0470-687	1	● Rail, Fuel	19	5507-037	1	● Screw, Machine
10	0470-767	1	● O-Ring	20	0487-057	1	Cable, Throttle



CYLINDER ASSEMBLY

0744-071

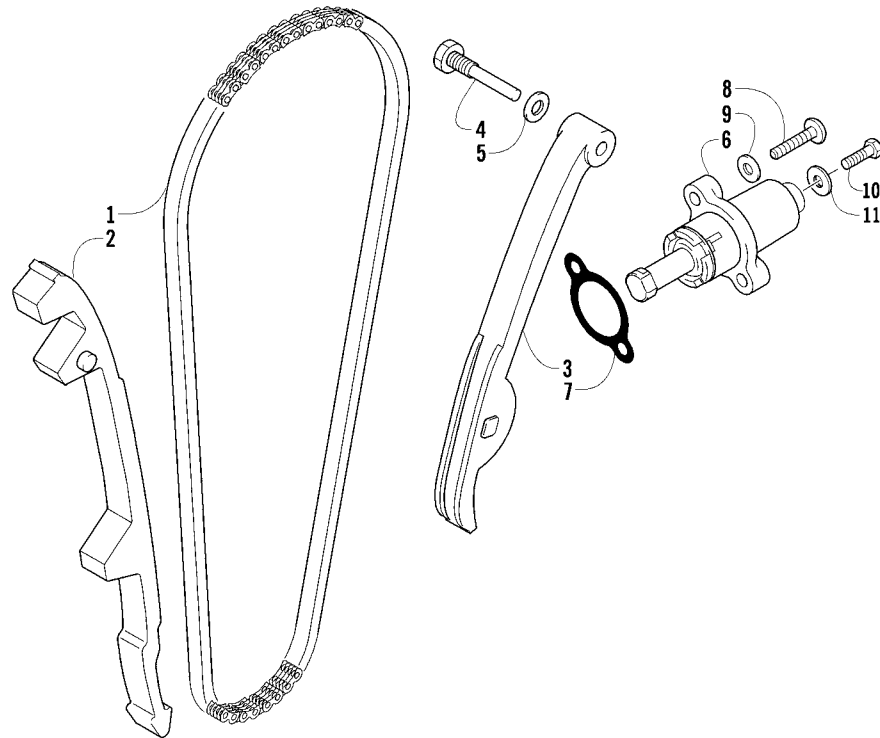
Ref	Part No.	New Qty	Description	Ref	Part No.	New Qty	Description
1	0804-019	1	Cylinder	6	0804-047	1	Union, Coolant Hose
2	0827-002	4	Bolt, Stud	7	8468-612	1	Screw, Machine
3	8424-604	4	Nut	8	0830-007	1	O-Ring
4	0830-084	1	Gasket, Base	9	0830-097	1	Gasket, Cylinder Head
5	0829-002	4	Pin, Dowel				



CYLINDER HEAD AND CAMSHAFT/VALVE ASSEMBLY

0744-062

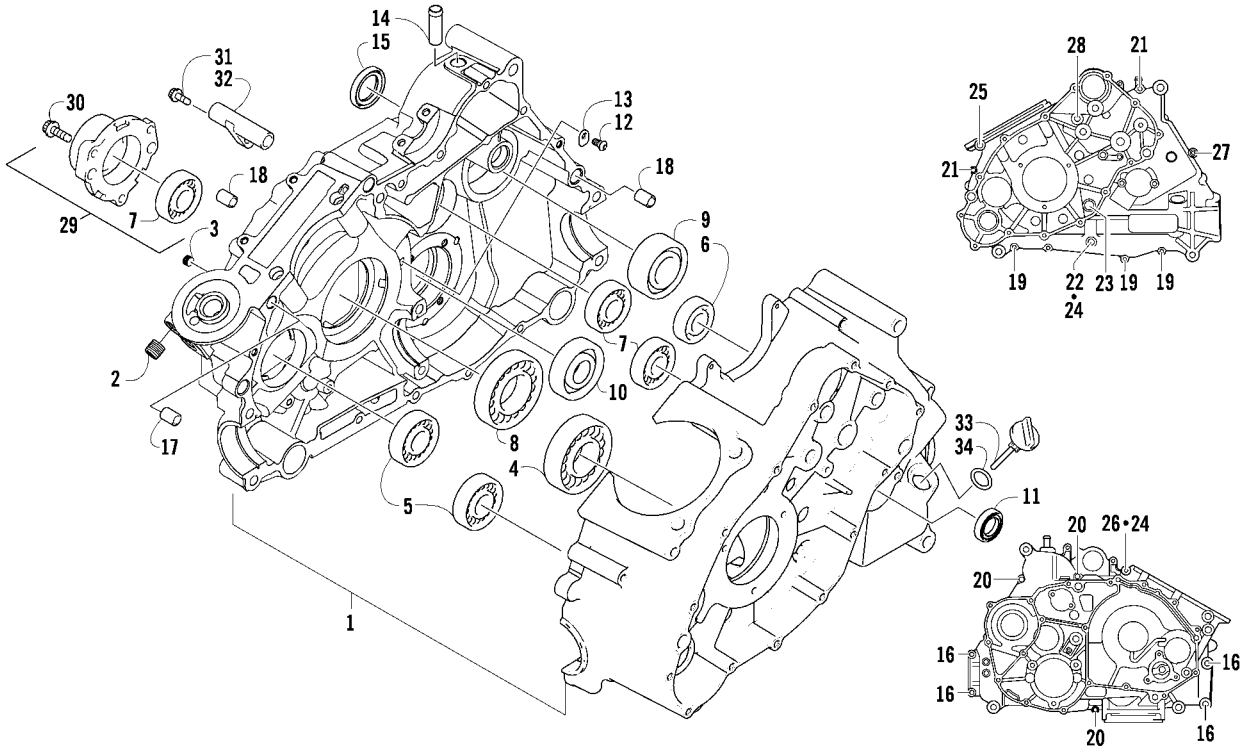
Ref	Part No.	New Qty	Description	Ref	Part No.	New Qty	Description
1	0808-137	1	Head, Cylinder - Assembly (inc. 2-17)	23	0809-003	1	C-Ring
2	0829-001	2	● Pin, Dowel	24	0808-077	1	Plug, Cylinder Head
3	0826-001	4	● Screw, Cap	25	0826-007	6	Screw, Cap
4	0809-205	1	● Arm, Valve Rocker - Exhaust (inc. two No. 5-6)	26	0808-003	2	Cap, Inspection
5	0809-033	4	●● Screw, Adjuster	27	0830-167	2	O-Ring
6	0827-007	4	●● Nut	28	0808-037	4	Screw, Cap
7	0809-202	1	● Arm, Valve Rocker - Intake (inc. two No. 5-6)	29	0830-147	4	Washer
8	0809-007	1	● Shaft, Rocker Arm - Intake	30	0830-107	4	Gasket
9	0809-008	1	● Shaft, Rocker Arm - Exhaust	31	0826-002	2	Screw, Cap
10	0809-014	8	● Cotter, Valve	32	0826-005	2	Screw, Cap
11	0809-013	4	● Retainer, Spring	33	0826-006	2	Screw, Cap
12	0809-138	4	● Spring, Valve	34	0217-799	1	Spark Plug - CPR8E
13	0830-016	4	● Seal, Oil	35	0470-668	1	Flange, Intake Manifold
14	0809-006	4	● Seat, Spring - Valve	36	0830-090	1	O-Ring
15	0809-039	2	● Valve, Intake	37	0826-008	2	Screw, Machine
16	0809-040	2	● Valve, Exhaust	38	0470-669	1	Boot
17	0831-041	2	● Plug, Shaft	39	0423-066	1	Clamp
18	0809-245	1	Camshaft	40	0808-008	1	Cover, Thermostat
19	0809-002	1	Sprocket	41	0808-078	1	Thermostat
20	0826-034	2	Screw, Cap	42	0808-124	1	Sensor, Engine Coolant Temperature
21	0828-004	1	Plate, Retainer	43	0827-031	1	Bolt, Stud
22	0829-008	1	Pin, Dowel	44	8424-804	1	Nut
				45	0827-030	2	Bolt, Stud
				46	8424-604	2	Nut



CAM CHAIN ASSEMBLY

0732-308

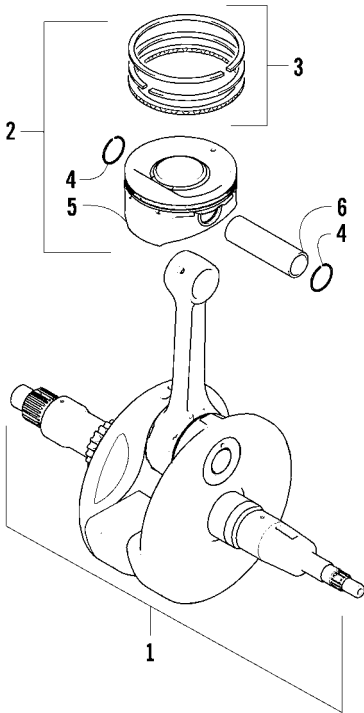
Ref	Part No.	New Qty	Description	Ref	Part No.	New Qty	Description
1	0810-001	1	Chain, Cam	7	0830-018	1	Gasket
2	0810-002	1	Guide, Chain	8	8468-625	2	Screw, Machine
3	0810-003	1	Tensioner, Chain	9	0830-107	2	Gasket
4	0826-036	1	Pivot, Tensioner	10	8400-610	1	Screw, Cap
5	0830-025	1	Washer, Crush	11	0828-129	1	Washer
6	0810-004	1	Adjuster, Tensioner - Assembly				



CRANKCASE ASSEMBLY

0743-953

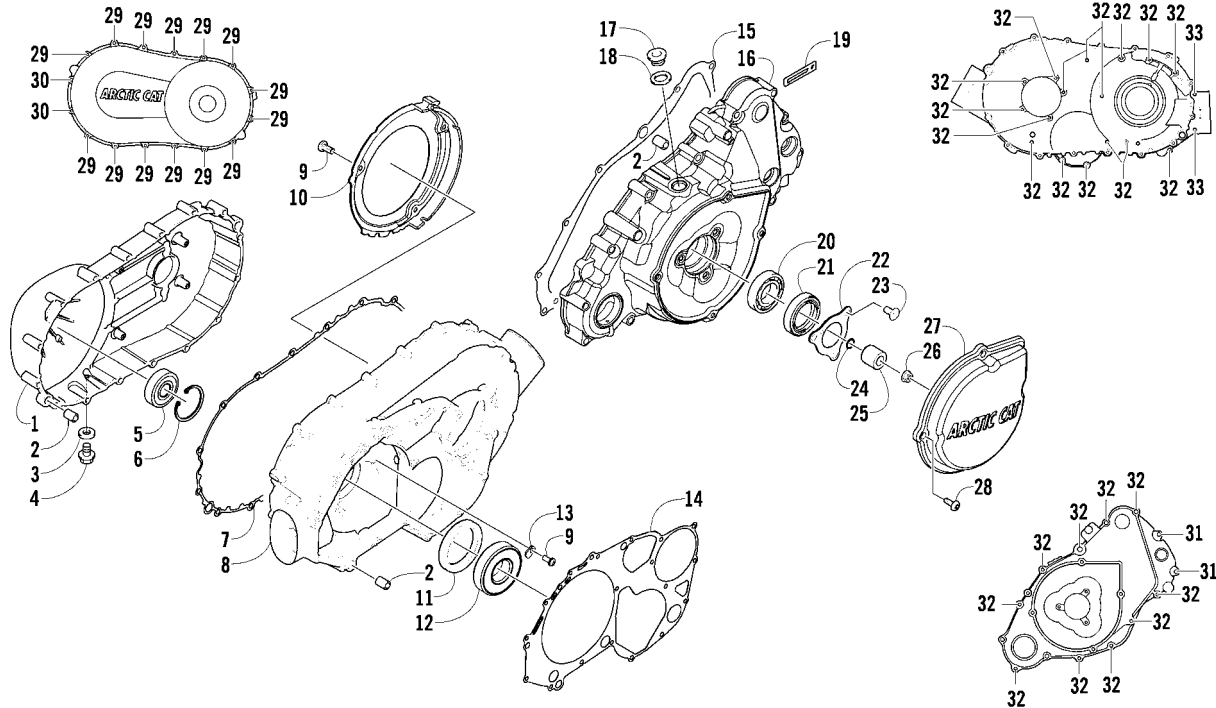
Ref	Part No.	New Qty	Description	Ref	Part No.	New Qty	Description
1	0801-153	1	Crankcase Assembly (inc. 2-15)	19	8468-645	3	Screw, Machine
2	0812-064	2	● Plug	20	8468-655	3	Screw, Machine
3	0801-002	1	● Plug	21	8468-675	2	Screw, Machine
4	0832-043	1	● Bearing	22	8412-860	1	Screw, Cap
5	0832-044	2	● Bearing	23	0826-017	1	Screw, Cap
6	0832-049	1	● Bearing	24	0830-008	2	Gasket
7	0832-050	3	● Bearing	25	0826-019	1	Screw, Cap
8	0832-042	1	● Bearing	26	0826-018	1	Screw, Cap
9	0832-048	1	● Bearing	27	8468-695	1	Screw, Machine
10	0832-015	1	● Bearing	28	8468-680	1	Screw, Machine
11	0822-052	1	● Seal, Countershaft	29	0801-029	1	Housing, Secondary Shaft (inc. one No. 7)
12	0826-100	4	● Screw, Machine	30	0826-105	3	Screw, Cap
13	0822-010	4	● Retainer, Bearing	31	0826-038	1	Screw, Cap
14	0801-028	1	● Pipe, Breather	32	0801-069	1	Pipe, Breather
15	0830-035	1	● Seal, Driveshaft	33	0801-179	X 1	Stick, Oil Level
16	8412-850	4	Screw, Cap	34	0830-010	1	O-Ring
17	0829-003	1	Pin, Dowel				
18	0829-002	5	Pin, Dowel				



CRANKSHAFT AND PISTON ASSEMBLY

0739-932

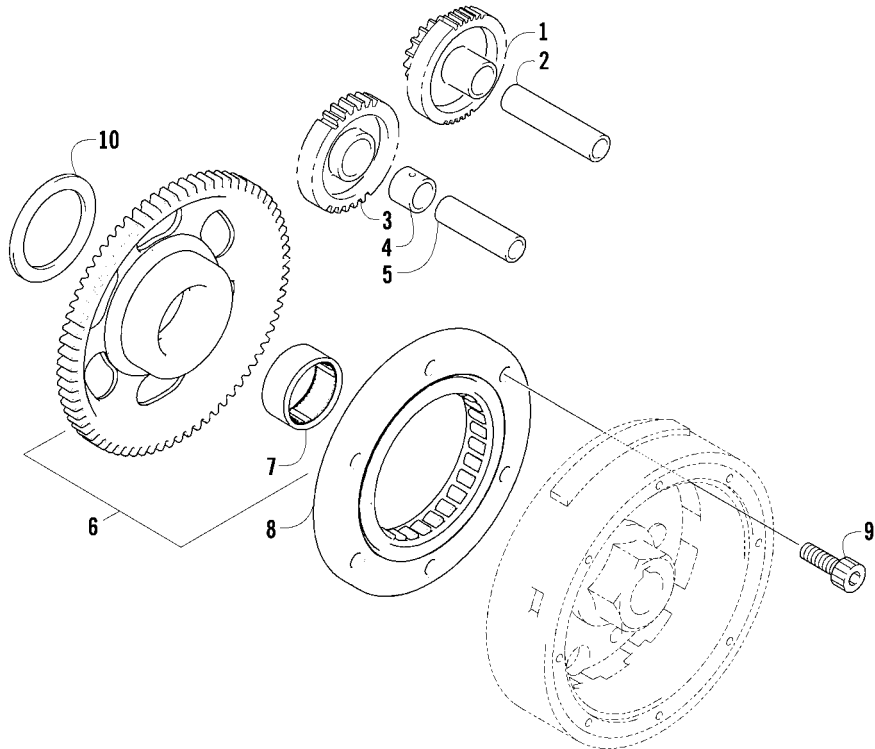
Ref	Part No.	New Qty	Description	Ref	Part No.	New Qty	Description
1	0805-073	1	Crankshaft Assembly	4	0831-001	2	● Circlip, Piston Pin
2	0805-064	1	Piston Set (inc. 3-6)	5	-	1	● Piston - Not a Service Part
3	0805-065	1	● Ring, Piston - Set	6	0805-012	1	● Pin, Piston



CLUTCH/V-BELT/MAGNETO COVER ASSEMBLY

0743-969

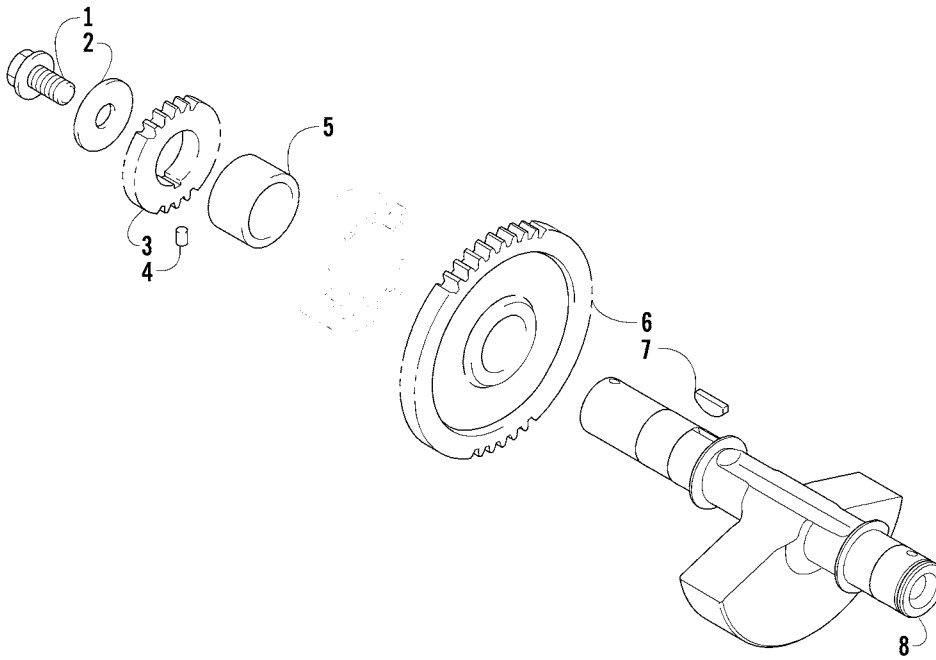
Ref	Part No.	New Qty	Description	Ref	Part No.	New Qty	Description
1	0806-089	1	Cover, V-Belt	18	0830-015	1	Washer, Crush
2	0829-002	6	Pin, Dowel	19	3002-964	1	Clamp, Wire
3	0830-013	1	Washer, Crush	20	0832-045	1	Bearing
4	8408-812	1	Screw, Cap	21	0830-158	1	Seal
5	0832-060	1	Bearing	22	0805-008	1	Retainer, Seal
6	0831-078	1	Ring, Retaining	23	0826-031	3	Screw, Machine
7	0830-174	1	Gasket, V-Belt Cover	24	0830-108	1	O-Ring
8	0806-086	1	Cover, Clutch	25	0820-061	1	Bushing
9	0826-029	5	Screw, Machine	26	0827-008	1	Nut
10	0806-048	1	Plate, Air Intake	27	0820-062	1	Cover, Magneto
11	0830-188	1	Seal	28	8468-616	4	Screw, Machine
12	0832-047	1	Bearing	29	8468-645	14	Screw, Machine
13	0822-010	2	Retainer, Bearing	30	8468-655	2	Screw, Machine
14	0830-116	1	Gasket, Clutch Cover	31	8468-625	2	Screw, Machine
15	0830-128	1	Gasket, Magneto Cover	32	8468-640	26	Screw, Machine
16	0806-082	1	Cover, Magneto - Assembly	33	8468-675	2	Screw, Machine
17	0806-022	1	Plug				



STARTER CLUTCH ASSEMBLY

0739-940

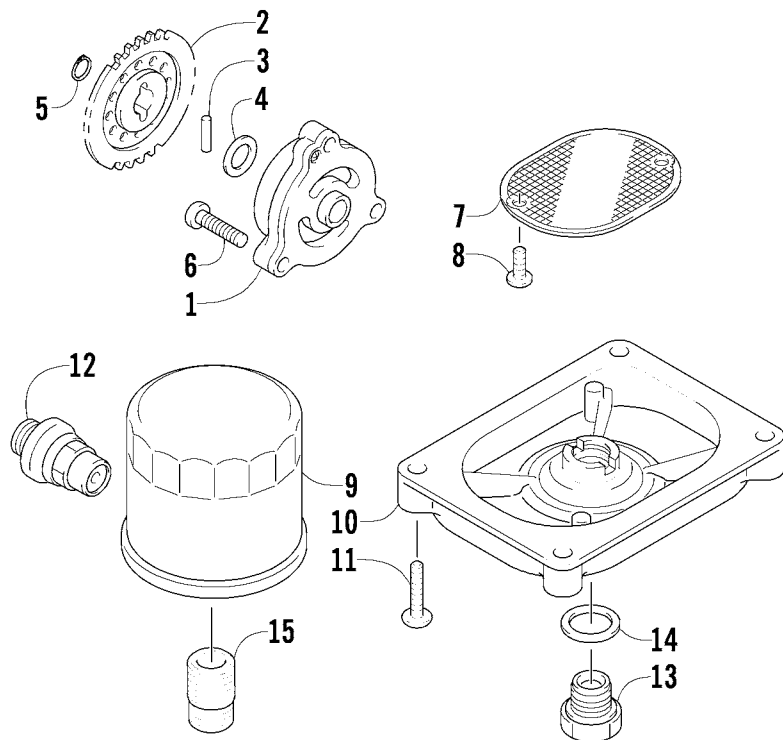
Ref	Part No.	New Qty	Description	Ref	Part No.	New Qty	Description
1	0815-001	1	Gear, Starter Idler - No. 1	6	0815-004	1	Gear, Starter Clutch (inc. 7)
2	0829-031	1	Shaft, Starter Gear	7	0832-079	1	● Bearing
3	0815-002	1	Gear, Starter Idler - No. 2	8	0802-035	1	Clutch, Starter
4	0815-003	1	Spacer, Starter Idler Gear No. 2	9	0826-069	6	Screw, Machine
5	0829-032	1	Shaft, Starter Gear	10	0828-094	1	Washer



CRANK BALANCER ASSEMBLY

0739-941

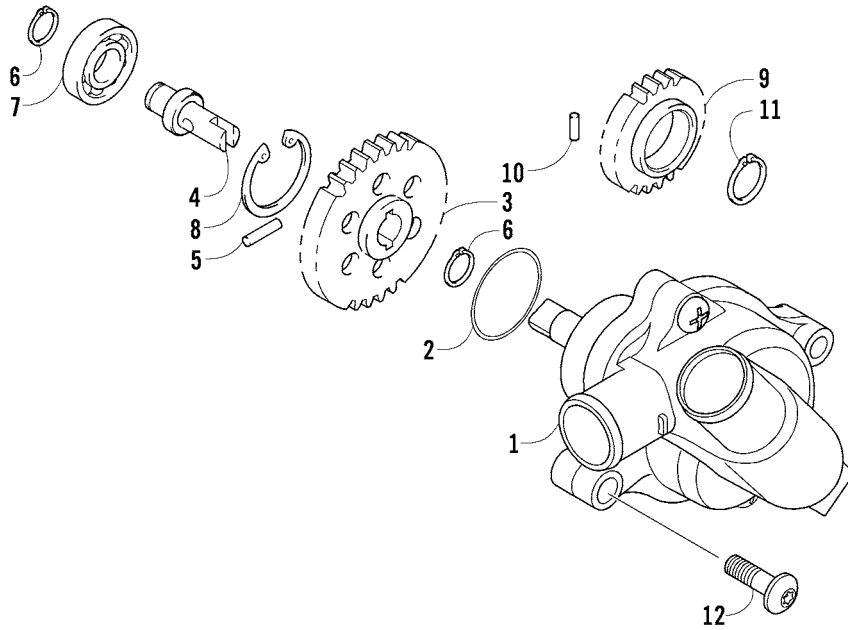
Ref	Part No.	New Qty	Description	Ref	Part No.	New Qty	Description
1	0826-033	1	Screw, Cap	5	0811-004	1	Spacer
2	0828-003	1	Washer	6	0811-002	1	Gear, Driven
3	0811-003	1	Gear, Oil Pump Drive	7	0829-006	1	Key
4	0829-007	1	Pin, Dowel	8	0811-017	1	Balancer, Crank



OIL FILTER/PUMP ASSEMBLY

0744-012

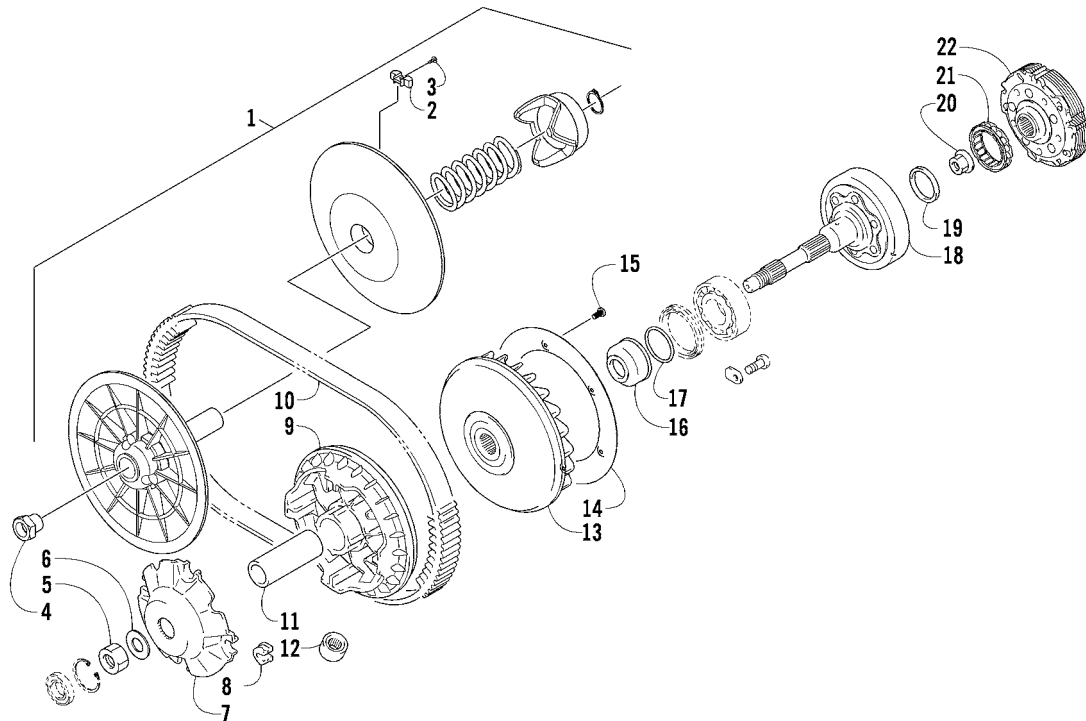
Ref	Part No.	New Qty	Description	Ref	Part No.	New Qty	Description
1	0812-023	1	Pump, Oil	9	0812-029	1	Filter, Oil
2	0812-083	X 1	Gear, Driven	10	0812-053	1	Cap, Oil Strainer
3	0829-009	1	Pin	11	8468-625	4	Screw, Machine
4	0828-007	1	Washer	12	0812-007	1	Valve, Oil-Relief - Assembly
5	0831-002	1	Ring, Retaining	13	0812-006	1	Plug, Drain
6	0826-039	3	Screw, Machine	14	0830-017	1	Gasket, Drain Plug
7	0812-057	1	Strainer, Oil	15	0812-008	1	Union, Filter
8	0826-040	2	Screw, Machine				



WATER PUMP ASSEMBLY

0739-945

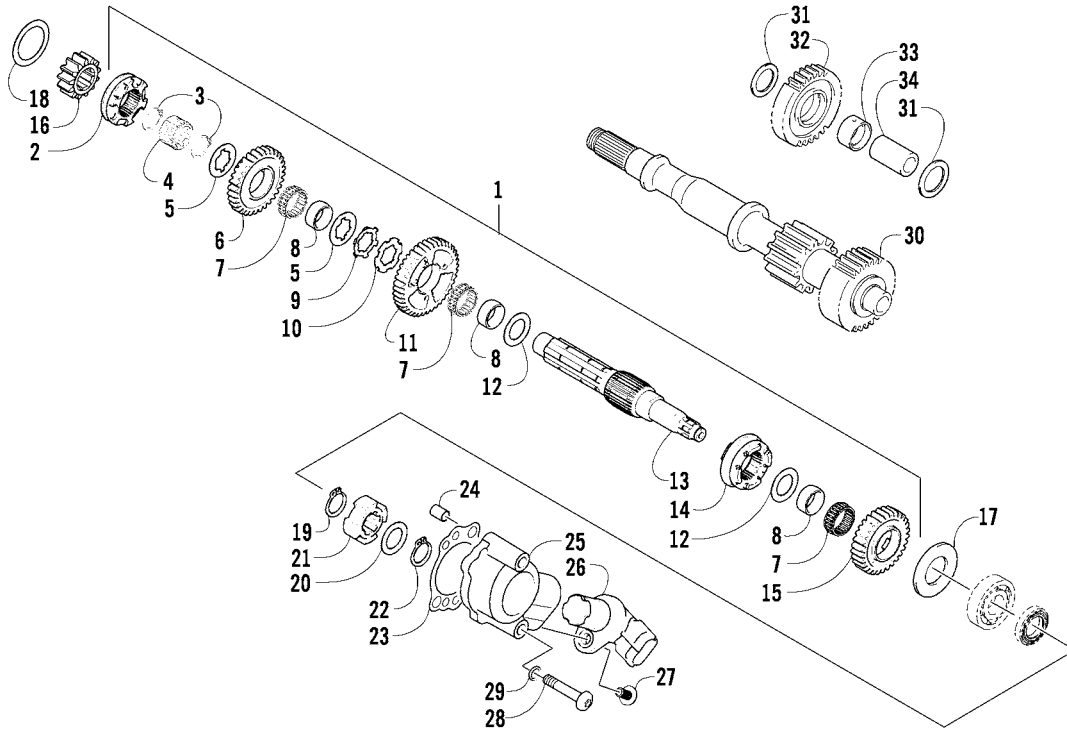
Ref	Part No.	New Qty	Description	Ref	Part No.	New Qty	Description
1	0813-001	1	Pump, Water - Assembly (inc. 2)	7	0832-046	1	Bearing, Shaft
2	0830-029	1	● O-Ring	8	0831-004	1	Ring, Retaining
3	0813-004	1	Gear, Driven	9	0811-003	1	Gear, Water Pump Drive
4	0813-005	1	Shaft, Driven Gear	10	0829-007	1	Pin, Alignment
5	0829-009	1	Pin, Driven Gear	11	0831-005	1	Ring, Retaining
6	0831-002	2	Ring, Retaining	12	8468-665	2	Screw, Machine



TRANSMISSION ASSEMBLY

0743-967

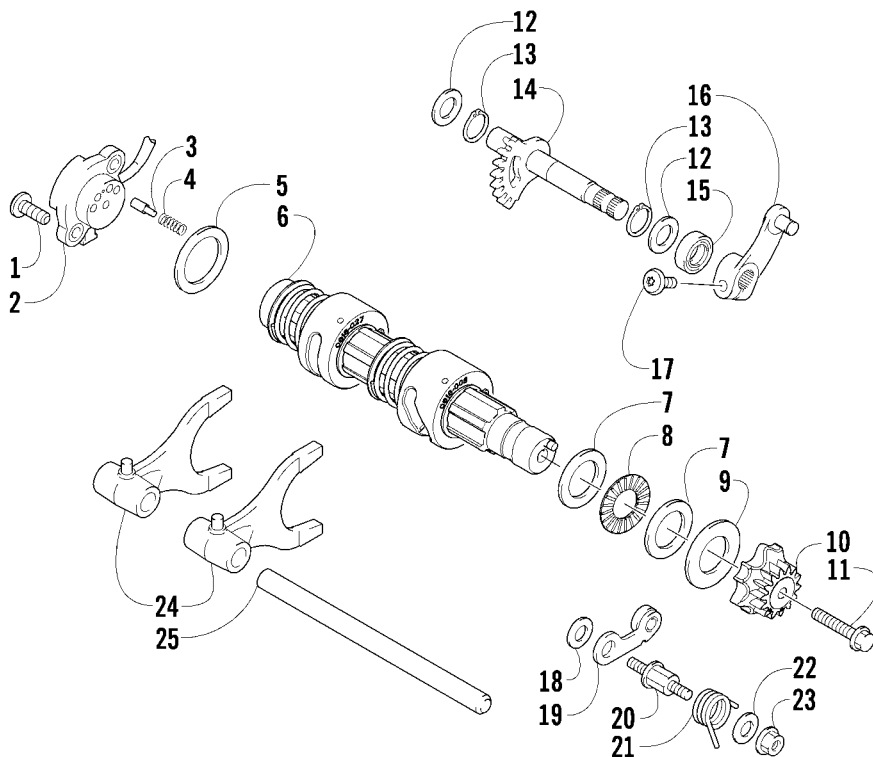
Ref	Part No.	New Qty	Description	Ref	Part No.	New Qty	Description
1	0823-157	1	Pulley, Driven - Assembly (inc. 2-4)	12	0823-164	8	Roller
2	0823-176	3	● Shoe, Cam	13	0823-156	1	Face, Fixed Drive
3	0823-177	3	● Screw, Machine	14	0823-131	1	Shroud, Drive Face
4	0823-178	1	● Nut	15	0623-914	6	Screw, Self-Tapping
5	0827-010	1	Nut	16	0823-015	1	Spacer, Fixed Drive Face
6	0828-106	1	Washer	17	0470-531	1	O-Ring
7	0823-008	1	Plate, Movable Drive Face	18	0823-096	1	Housing, Clutch - Assembly
8	0823-010	4	Damper, Movable Drive Face	19	0830-189	1	Seal
9	0823-159	1	Face, Movable Drive	20	0827-011	1	Nut
10	0823-013	1	Belt, Drive	21	0823-018	1	Clutch, One-Way
11	0823-149	1	Spacer	22	0823-098	1	Clutch, Centrifugal - 6 Plate



SECONDARY TRANSMISSION ASSEMBLY

0743-765

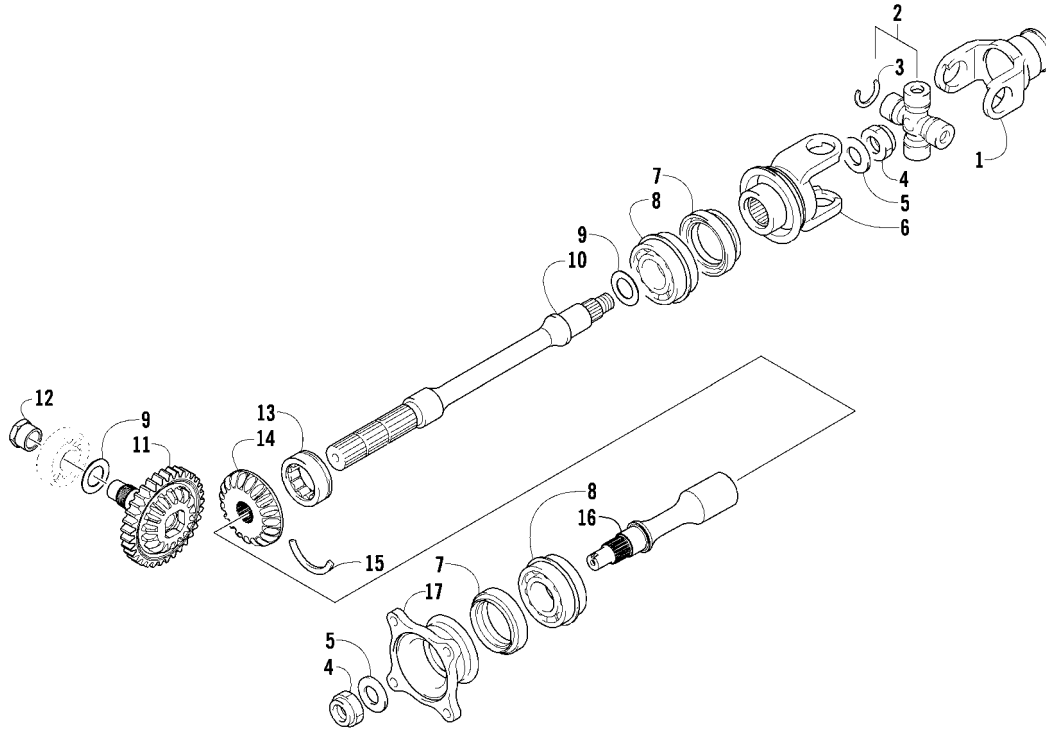
Ref	Part No.	New Qty	Description	Ref	Part No.	New Qty	Description
1	0822-091	1	Countershaft Assembly (inc. 2-15)	18	0828-019	1	Washer, Thrust
2	0822-014	1	● Gear Select, Reverse	19	0831-040	1	Ring, Retaining
3	0831-011	2	● Ring, Retaining	20	0828-069	1	Washer, Thrust
4	0822-045	1	● Spacer, Reverse Driven Gear	21	0822-050	1	Trigger, Speedometer Sensor
5	0828-008	2	● Washer	22	0831-039	1	Ring, Retaining
6	0822-013	1	● Gear, Reverse Driven	23	0830-129	1	Gasket
7	0832-011	3	● Bearing	24	0829-023	2	Pin, Dowel
8	0822-005	3	● Bushing	25	0822-049	1	Housing, Speedometer Sensor
9	0828-014	1	● Washer, Lock	26	0430-091	X 1	Sensor, Speedometer
10	0828-015	1	● Washer, Lock	27	8468-620	1	Screw, Machine
11	0822-004	1	● Gear, Driven - Low	28	8468-645	2	Screw, Machine
12	0822-046	2	● Washer, Driven Gear	29	0830-107	2	Seal, Fastener
13	0822-003	1	● Countershaft	30	0822-001	1	Driveshaft
14	0822-007	1	● Gear Select, Sliding	31	0828-016	2	Washer, Thrust
15	0822-006	1	● Gear, Driven - High	32	0822-011	1	Gear, Reverse Idle
16	0822-089	1	Gear, Drive	33	0822-012	1	Bushing
17	0828-011	1	Washer	34	0822-015	1	Shaft, Reverse Idle



GEAR SHIFTING ASSEMBLY

0743-770

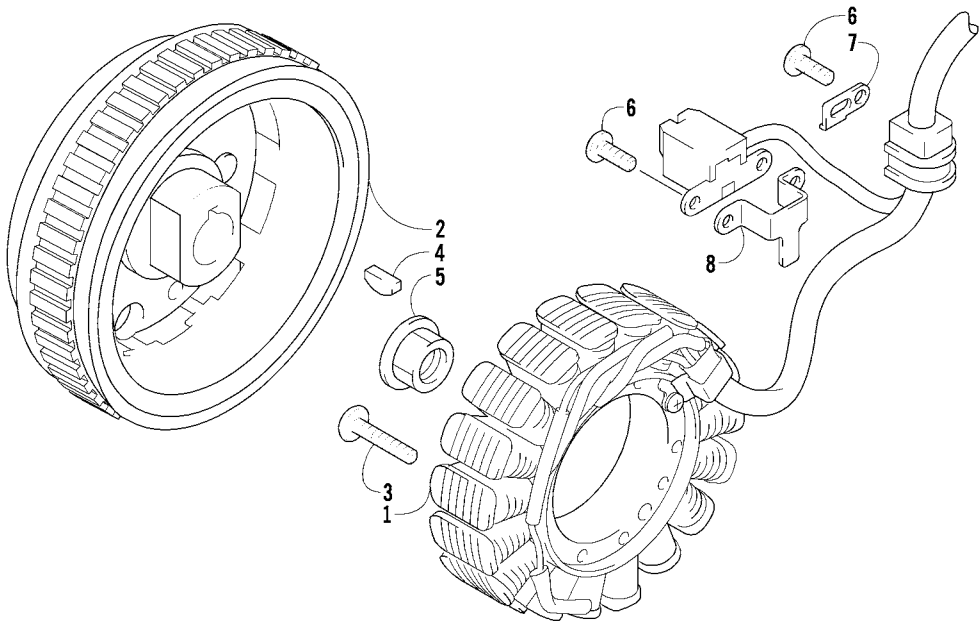
Ref	Part No.	New Qty	Description	Ref	Part No.	New Qty	Description
1	8470-520	2	Screw, Machine	14	0818-007	1	Shaft, Sub-Gear Shift
2	0409-090	1	Switch, Gear Position	15	0830-044	1	Seal, Sub-Gear Shift Shaft
3	0818-013	2	Contact	16	0818-014	1	Arm, Select
4	0818-017	2	Spring	17	8468-620	1	Screw, Machine
5	0828-040	1	Washer	18	0828-038	1	Washer
6	0818-046	1	Shaft, Gear Shift - Assembly	19	0818-002	1	Stopper, Cam
7	0828-095	2	Washer	20	0818-004	1	Support, Cam Stopper
8	0832-052	1	Bearing, Thrust	21	0818-090	1	Spring
9	0828-037	1	Washer	22	0828-035	1	Washer
10	0818-089	1	Plate, Gear Shift Cam	23	8424-602	1	Nut
11	0826-006	1	Screw, Cap	24	0818-072	2	Fork, Shift
12	0828-036	2	Washer	25	0818-006	1	Shaft, Shift Fork
13	0831-010	2	Ring, Retaining				



SECONDARY DRIVE ASSEMBLY

0743-766

Ref	Part No.	New Qty	Description	Ref	Part No.	New Qty	Description
1	0819-063	1	Yoke, Propeller Shaft Joint	10	0819-003	1	Shaft, Secondary Driven - Front
2	1402-164	1	Joint, Universal - Set (inc. 3)	11	0822-107	1	Gear, Secondary Drive
3	0423-450	4	● Ring, Retaining	12	0827-052	1	Nut
4	0827-013	2	Nut	13	0832-016	1	Bearing
5	0828-020	2	Washer	14	0822-106	1	Gear, Secondary Driven
6	0819-061	1	Yoke, Drive Output	15	0819-011	1	Ring, Driven Bearing
7	0830-043	2	Seal, Oil	16	0819-053	1	Shaft, Secondary Driven - Rear
8	0832-017	2	Bearing	17	0819-005	1	Flange, Output Joint
9	0828-021	AR	Shim, 25 x 34 x 0.25 mm				
	0828-022	AR	Shim, 25 x 34 x 0.30 mm				
	0828-023	AR	Shim, 25 x 34 x 0.70 mm				
	0828-024	AR	Shim, 25 x 34 x 0.90 mm				
	0828-025	AR	Shim, 25 x 34 x 0.95 mm				
	0828-026	AR	Shim, 25 x 34 x 1.00 mm				
	0828-027	AR	Shim, 25 x 34 x 1.05 mm				
	0828-028	AR	Shim, 25 x 34 x 1.10 mm				
	0828-029	AR	Shim, 25 x 34 x 1.15 mm				



MAGNETO ASSEMBLY

0742-692

Ref	Part No.	New Qty	Description	Ref	Part No.	New Qty	Description
1	0802-041	1	Stator - Assembly	5	0827-014	1	Nut
2	0802-048	1	Rotor/Flywheel	6	8470-510	3	Screw, Machine
3	0826-102	3	Screw, Machine	7	0802-015	1	Clamp - No. 1
4	0829-012	1	Key	8	0802-016	1	Clamp - No. 2

