

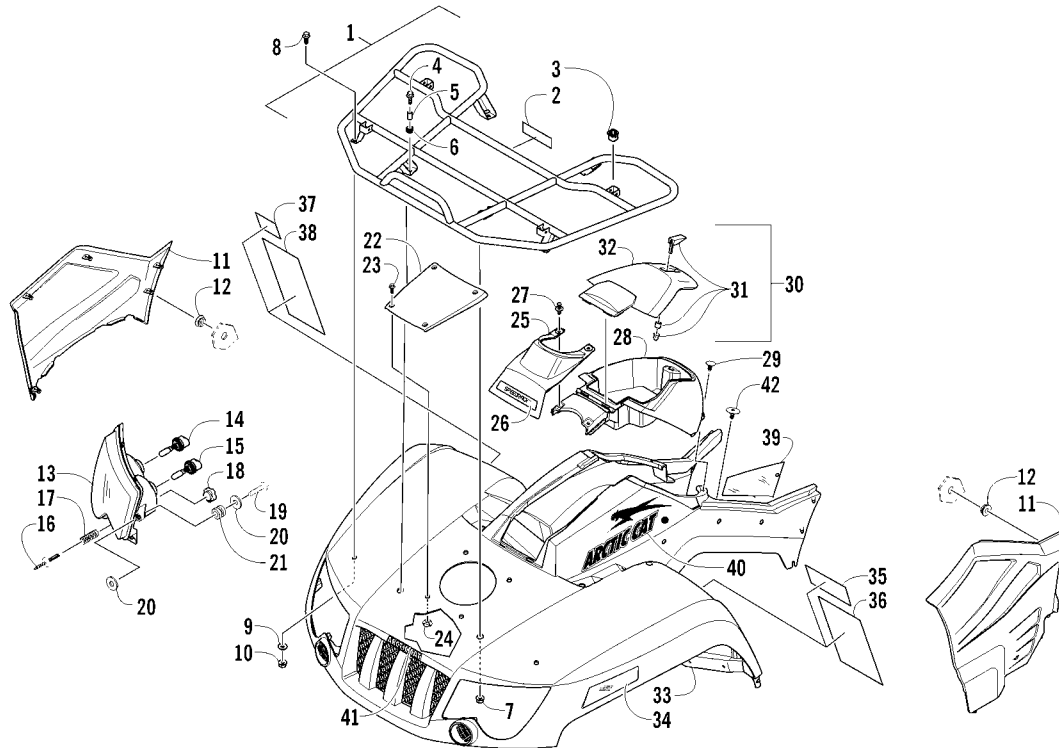
TABLE OF CONTENTS

2010 ATV 450 EFI

Red (Model No. A2010ICK4CUSR) Red - International (Model No. A2010ICK4COSR)
Green (Model No. A2010ICK4CUSG) Green - International (Model No. A2010ICK4COSG)
Cat Green (Model No. A2010ICK4CUSZ) Cat Green - International (Model No. A2010ICK4COSZ)

FRONT RACK, BODY PANEL, AND HEADLIGHT ASSEMBLIES	1
REAR RACK, BODY PANEL, AND FOOTWELL ASSEMBLIES	2
FRAME AND RELATED PARTS	3
TAILLIGHT ASSEMBLY	4
SEAT ASSEMBLY	5
STEERING ASSEMBLY	6
HANDLEBAR ASSEMBLY	7
INSTRUMENT POD ASSEMBLY	8
FRONT SUSPENSION ASSEMBLY	9
REAR SUSPENSION ASSEMBLY	10
WHEEL AND TIRE ASSEMBLY	11
HYDRAULIC BRAKE ASSEMBLY	12
GAS TANK ASSEMBLY	13
SHIFT LEVER ASSEMBLY	14
AIR INTAKE ASSEMBLY	15
ENGINE AND EXHAUST	16
COOLING ASSEMBLY	17
CASE/BELT COOLING ASSEMBLY	18
DRIVE TRAIN ASSEMBLY	19
FRONT DRIVE GEARCASE ASSEMBLY	20
REAR DRIVE GEARCASE ASSEMBLY	21
WIRING HARNESS ASSEMBLY	22
BATTERY AND STARTER ASSEMBLY	23
THROTTLE BODY ASSEMBLY	24
CYLINDER ASSEMBLY	25
CYLINDER HEAD AND CAMSHAFT/VALVE ASSEMBLY	26
CAM CHAIN ASSEMBLY	27
CRANKCASE ASSEMBLY	28
CRANKSHAFT, BALANCER, STARTER GEAR, AND PISTON ASSEMBLIES	29
CLUTCH/DRIVE BELT/MAGNETO COVER ASSEMBLY	30
OIL PUMP AND STRAINER ASSEMBLY	31
WATER PUMP ASSEMBLY	32
CLUTCH AND DRIVE BELT ASSEMBLY	33
SECONDARY TRANSMISSION ASSEMBLY	34
GEAR SHIFTING ASSEMBLY	35
SECONDARY DRIVE ASSEMBLY	36
MAGNETO ASSEMBLY	37

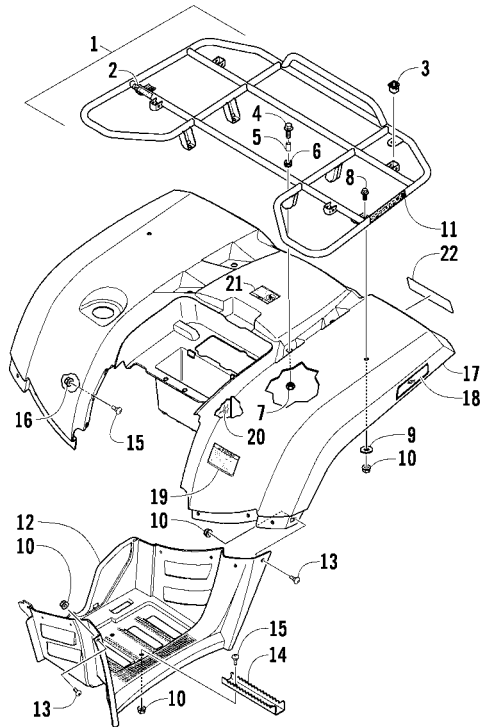
■ **NOTE:** The illustrations used in this Parts Manual are for reference to replacement part numbers only and are not to be used for assembly. For assembly procedures, use an Arctic Cat Service Manual. For a complete list of related items, refer to the current accessory catalog.



FRONT RACK, BODY PANEL, AND HEADLIGHT ASSEMBLIES

0744-954

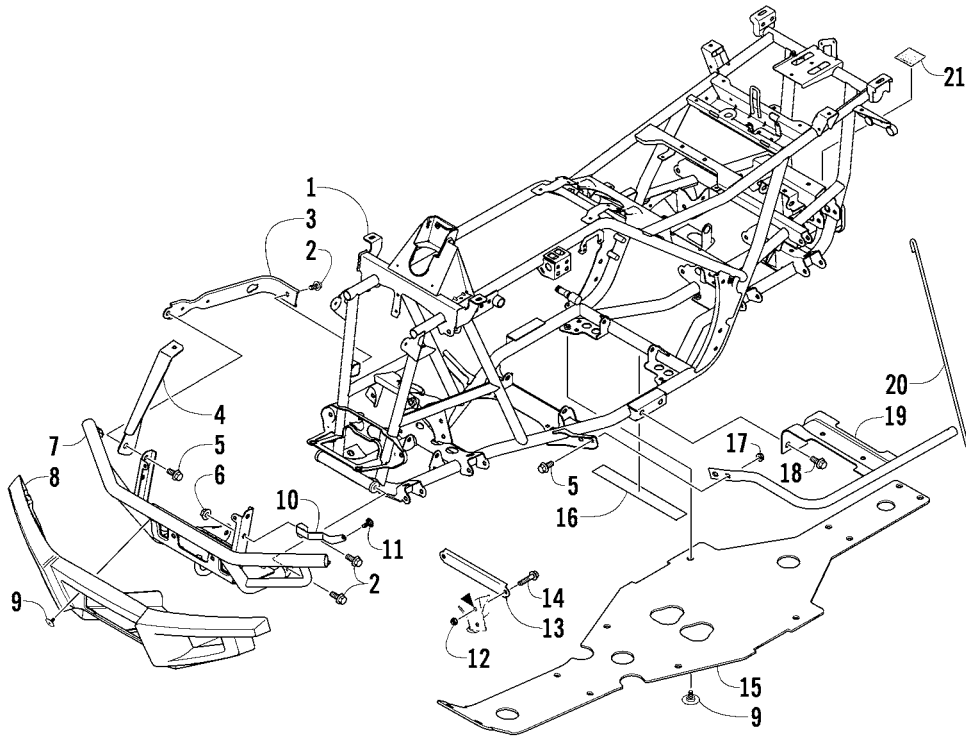
Ref	Part No.	New	Qty	Description	Ref	Part No.	New	Qty	Description
1	2506-107		1	Rack, Front - Assembly (inc. 2-3)	26	1411-050		1	Decal, "Speedrack"
2	0411-576		1	● Decal, Warning - Load	27	0623-362		2	Rivet, Reinstallable
3	0441-592		4	● Bushing	28	2416-237	X	1	Box, Storage - Red (4CUSR/4COSR)
4	8410-830		4	Screw, Cap		2416-238	X	1	Box, Storage - Green (4CUSG/4COSG)
5	0423-669		4	Spacer		2416-239	X	1	Box, Storage - Cat Green (4CUSZ/4COSZ)
6	0423-465		4	Grommet	29	0623-544		2	Clip, Retaining
7	8432-802		4	Nut, Lock	30	2506-235		1	Lid, Storage Box w/Latch (inc. 31-32)
8	0423-654		2	Screw, Shoulder	31	1406-599		1	● Latch, Storage Box
9	8050-222		2	Washer	32	1406-862		1	● Lid, Storage Box
10	0423-540		2	Nut, Lock	33	2516-395	X	1	Panel, Fender - Assembly - Front - Red (inc. 34-39) (4CUSR/4COSR)
11	2406-302		1	Panel, Side - Lower - Right		2516-396	X	1	Panel, Fender - Assembly - Front - Green (inc. 34-39) (4CUSG/4COSG)
12	2416-133	X	1	Panel, Side - Lower - Left		2516-397	X	1	Panel, Fender - Assembly - Front - Cat Green (inc. 34-39) (4CUSZ/4COSZ)
13	0609-852		1	Headlight Assembly - Right (inc. 14-15)	34	1411-078		1	● Decal, Reflector - Right - Amber
14	0609-853		1	Headlight Assembly - Left (inc. 14-15)		1411-079		1	● Decal, Reflector - Left - Amber
15	0409-073		2	● Bulb, Headlight	35	1411-574		1	● Decal, Warning - Off-Road Only
16	0409-045		2	● Bulb, Headlight	36	2411-124	X	1	● Decal, Warning - General/Age
17	0423-514		2	Stud, Adjuster - Headlight	37	0411-835		1	● Decal, Warning - Turn/Hill
18	0423-522		2	Spring, Adjuster	38	1411-250		1	● Decal, Warning - Reverse/Pre-Ride
19	0423-513		2	Knob, Adjuster	39	0412-394		1	● Foil, Protective
20	0623-785		4	Screw, Self-Tapping	40	1411-634		1	Decal, Side - Upper Right
21	8050-217		8	Washer	41	1411-635		1	Decal, Side - Upper Left
22	0423-447		4	Grommet	42	1411-725		1	Decal, Front
23	2416-134	X	1	Cover, Access - Red (4CUSR/4COSR)		0423-101		2	Screw, Shoulder
24	2416-170	X	1	Cover, Access - Green (4CUSG/4COSG)					
25	2416-171	X	1	Cover, Access - Cat Green (4CUSZ/4COSZ)					
	8410-616		4	Screw, Cap					
	0423-997	X	4	T-Nut					
	1406-867		1	Cover, Steering Post - Red (4CUSR/4COSR)					
	1406-970		1	Cover, Steering Post - Green (4CUSG/4COSG)					
	1406-971		1	Cover, Steering Post - Cat Green (4CUSZ/4COSZ)					



REAR RACK, BODY PANEL, AND FOOTWELL ASSEMBLIES

0744-531

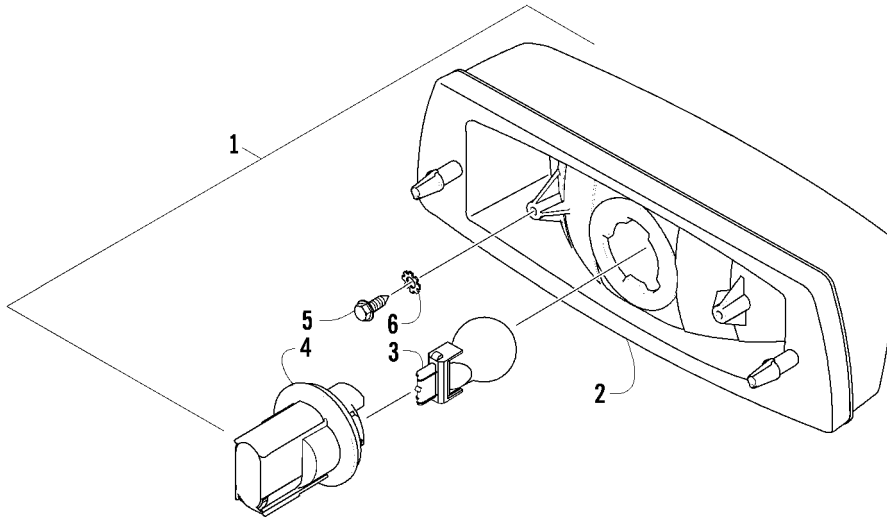
Ref	Part No.	New	Qty	Description	Ref	Part No.	New	Qty	Description
1	2506-124		1	Rack, Rear - Assembly (inc. 2-3)	16	8424-602		6	Nut
2	0411-648		1	● Decal, Warning - Load	17	2506-761		1	Panel, Fender - Assembly - Rear - Red (inc. 18-22) (4CUSR/4COSR)
3	0441-592		4	● Bushing		2506-763		1	Panel, Fender - Assembly - Rear - Green (inc. 18-22) (4CUSG/4COSG)
4	8410-830		4	Screw, Cap		2506-762		1	Panel, Fender - Assembly - Rear - Cat Green (inc. 18-22) (4CUSZ/4COSZ)
5	0423-669		4	Spacer	18	1411-598	X	1	● Decal, Reflector - Right - Red
6	0423-465		4	Grommet		1411-599	X	1	● Decal, Reflector - Left - Red
7	8432-802		4	Nut, Lock	19	2411-143	X	1	● Decal, Warning - Tire Pressure
8	0423-654		2	Screw, Shoulder	20	0412-351	X	1	● Foil, Protective
9	8050-222		2	Washer	21	1411-809		1	● Decal, Passenger
10	0423-540		24	Nut, Lock	22	1411-725		1	● Decal, Rear
11	0411-965		2	Decal, "Speedrack"					
12	2406-428		1	Footwell - Right					
	2516-385	X	1	Footwell - Left					
13	0423-419		18	Screw, Machine					
14	1506-125		2	Footpeg					
15	0423-355		10	Screw, Shoulder					



FRAME AND RELATED PARTS

0744-533

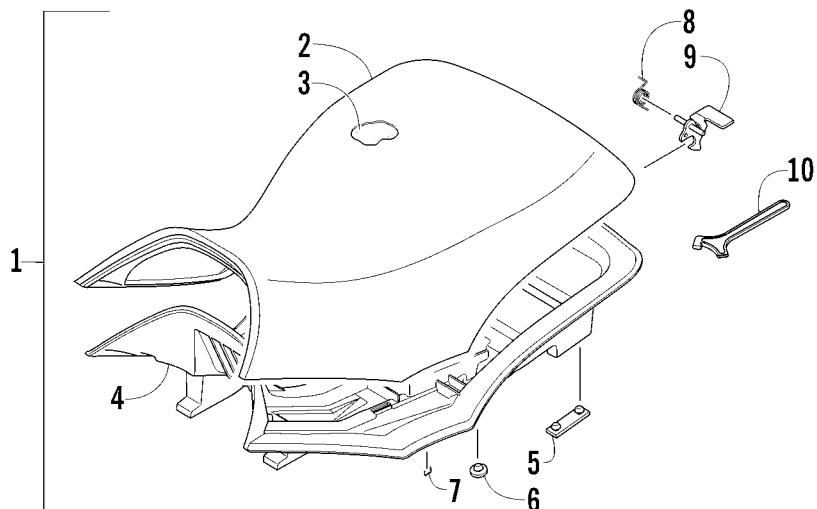
Ref	Part No.	New Qty	Description	Ref	Part No.	New Qty	Description
1	2506-541	1	Frame, Main	11	0623-797	2	Screw, Self-Tapping
2	8409-020	6	Screw, Cap	12	0423-744	2	Nut, Lock
3	1506-596	1	Channel, Bumper Mounting - Right	13	1506-429	1	Brace, A-Arm
	0506-653	1	Channel, Bumper Mounting - Left	14	8409-025	2	Screw, Cap
4	1506-686	1	Bracket, Mounting - Bumper - Right	15	1406-030	1	Panel, Belly
	1506-687	1	Bracket, Mounting - Bumper - Left	16	0406-289	2	Pad, Frame
5	8408-816	6	Screw, Cap	17	8424-802	4	Nut
6	8424-002	2	Nut	18	8409-016	4	Screw, Cap
7	1506-684	1	Bumper, Front	19	1506-659	1	Footrest - Right
8	1406-868	1	Fascia, Bumper - Front - Black		1506-660	1	Footrest - Left
9	0423-101	16	Screw, Shoulder	20	2506-426	2	Rod, Support
10	2516-594	X 1	Bracket, Support - Right	21	1411-077	1	Decal, Warning - Towing
	2516-595	X 1	Bracket, Support - Left				



TAILLIGHT ASSEMBLY

0739-667

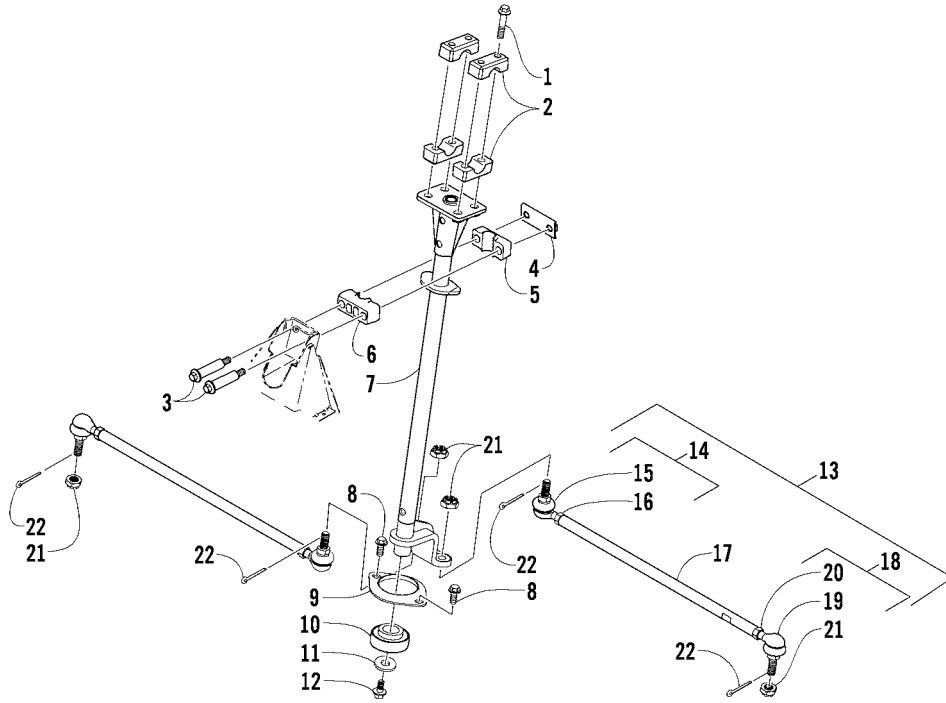
Ref	Part No.	New Qty	Description	Ref	Part No.	New Qty	Description
1	0509-022	1	Taillight Assembly (inc. 2-4)	4	0409-057	1	● Socket, Taillight
2	0509-025	1	● Housing, Taillight	5	0623-301	2	Screw, Self-Tapping
3	0409-056	1	● Bulb, Taillight	6	8053-212	2	Washer, External Tooth Lock



SEAT ASSEMBLY

0744-435

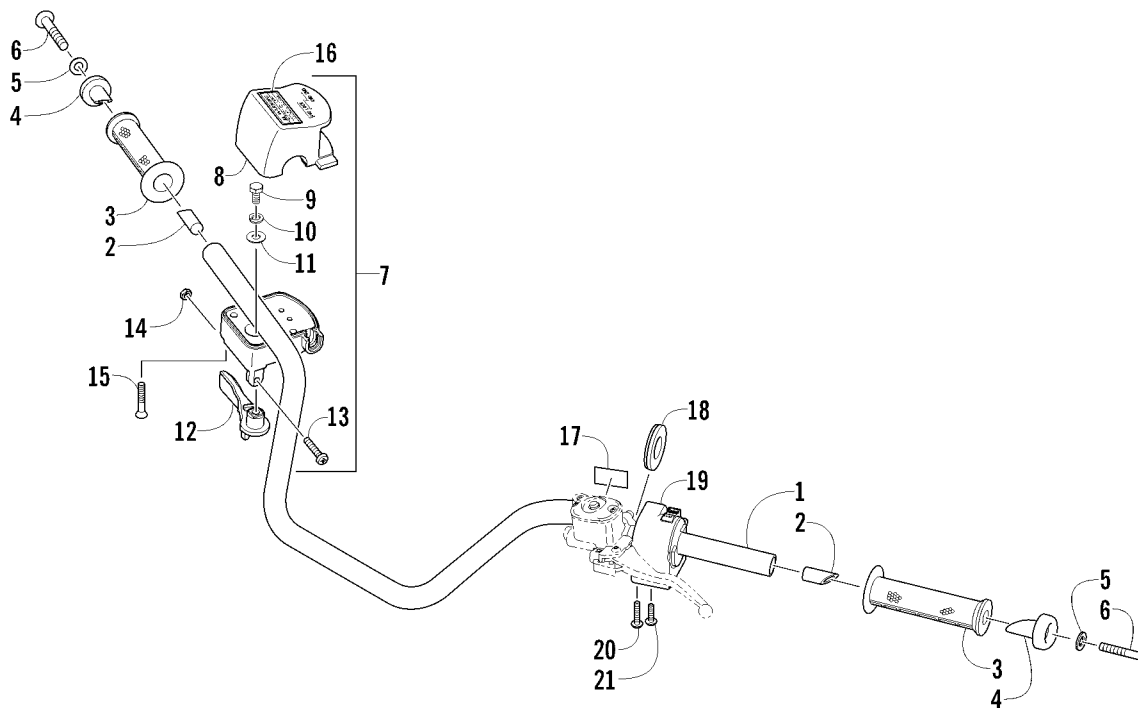
Ref	Part No.	New Qty	Description	Ref	Part No.	New Qty	Description
1	2506-805	1	Seat Assembly (inc. 2-9)	6	0406-877	4	●● Bumper, Seat - Front
2	2506-756	1	● Cover, Seat	7	0624-528	AR	● Staple
3	2506-755	1	● Foam, Seat	8	1406-592	1	● Spring, Seat Latch
4	2406-144	1	● Base, Seat - Assembly (inc. 5-6)	9	1506-156	1	● Latch, Seat
5	0406-879	2	●● Bumper, Seat - Rear	10	0441-587	1	Wrench, Spanner



STEERING ASSEMBLY

0742-327

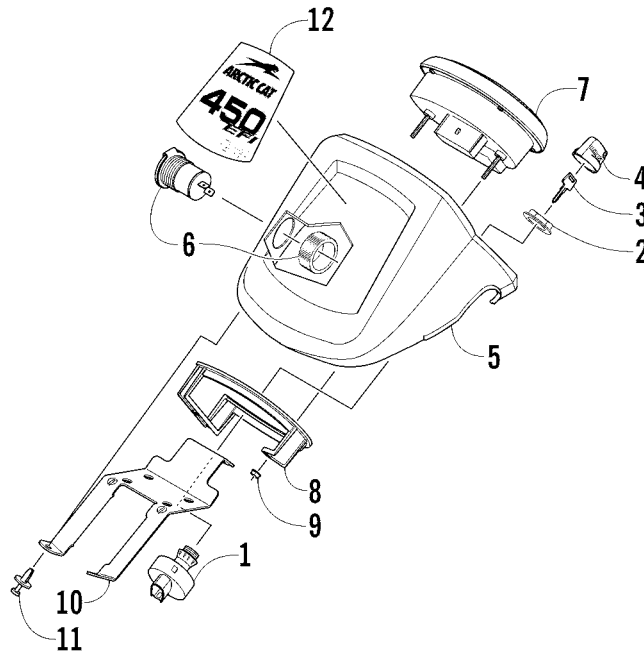
Ref	Part No.	New Qty	Description	Ref	Part No.	New Qty	Description
1	8408-860	4	Screw, Cap	14	0505-511	2	● End, Tie Rod - Left-Hand Thread - Kit (inc. 15-16)
2	0405-035	4	Cap, Steering Adjuster	15	-	2	●● End, Tie Rod - Left-Hand Thread - Not a Service Part
3	0423-505	2	Screw, Shoulder	16	0423-013	2	●● Nut - Left-Hand Thread
4	0505-484	1	Cap, Housing	17	0405-281	2	● Tie Rod
5	0405-138	1	Housing, Lower	18	0505-510	2	● End, Tie Rod - Right-Hand Thread - Kit (inc. 19-20)
6	0405-139	1	Housing, Upper	19	-	2	●● End, Tie Rod - Right-Hand Thread - Not a Service Part
7	0505-451	1	Post, Steering	20	8420-002	2	●● Nut - Right-Hand Thread
8	8408-816	2	Screw, Cap	21	0423-157	4	Nut, Lock
9	0602-233	1	Flange, Bearing	22	0623-175	4	Pin, Cotter
10	0405-052	1	Bearing w/Inverted Oil Seal				
11	0423-073	1	Washer				
12	8409-020	1	Screw, Cap				
13	0505-499	2	Tie Rod - Assembly (inc. 14-20)				



HANDLEBAR ASSEMBLY

0744-426

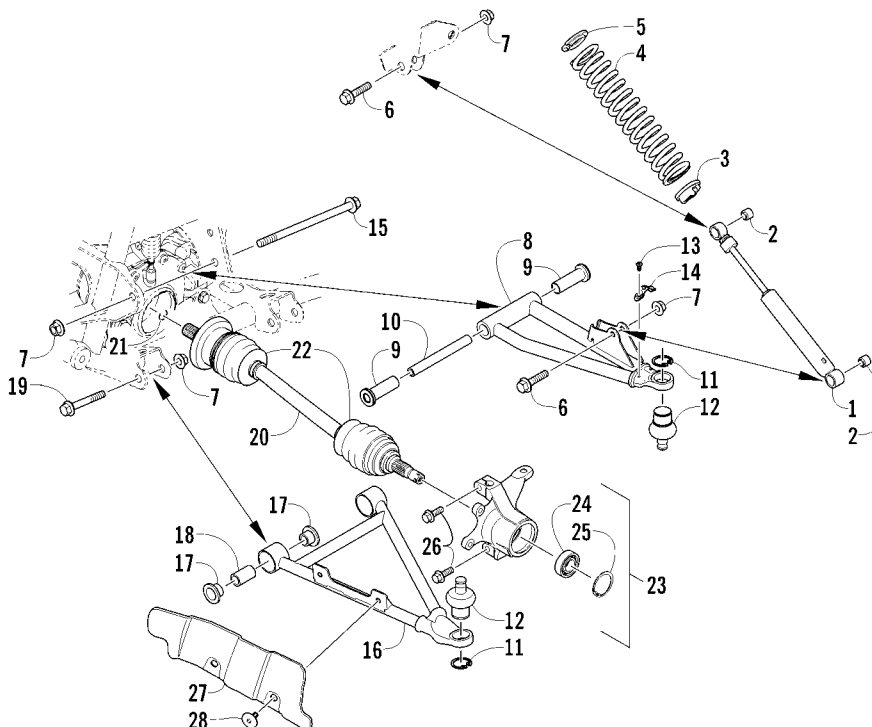
Ref	Part No.	New	Qty	Description	Ref	Part No.	New	Qty	Description
1	0505-418		1	Handlebar	12	0409-133	X	1	● Lever, Throttle
2	0405-218		2	Plug, Handlebar	13	3423-014		1	● Screw, Machine
3	0405-147		2	Grip, Handlebar	14	3423-327		1	● Nut
4	0405-149		2	End Cap, Handlebar	15	3423-199		2	● Screw, Machine
5	8050-247		2	Washer	16	0411-966		1	Decal, Warning - Differential Lock
6	8477-845		2	Screw, Machine	17	1411-865		1	Decal, Warning - Brake Lever Lock
7	0509-054	X	1	Case, Throttle - Assembly (inc. 8-15)	18	3409-019		1	Cover, Switch Housing
8	0409-141	X	1	● Cover, Throttle Case w/Switch	19	0509-014		1	Switch, Control - Assembly (inc. 20-21)
9	3007-392		1	● Screw, Cap	20	0409-028		1	● Screw, Machine
10	3004-447		1	● Washer, Lock	21	0409-027		1	● Screw, Machine
11	3003-030		1	● Washer					



INSTRUMENT POD ASSEMBLY

0744-956

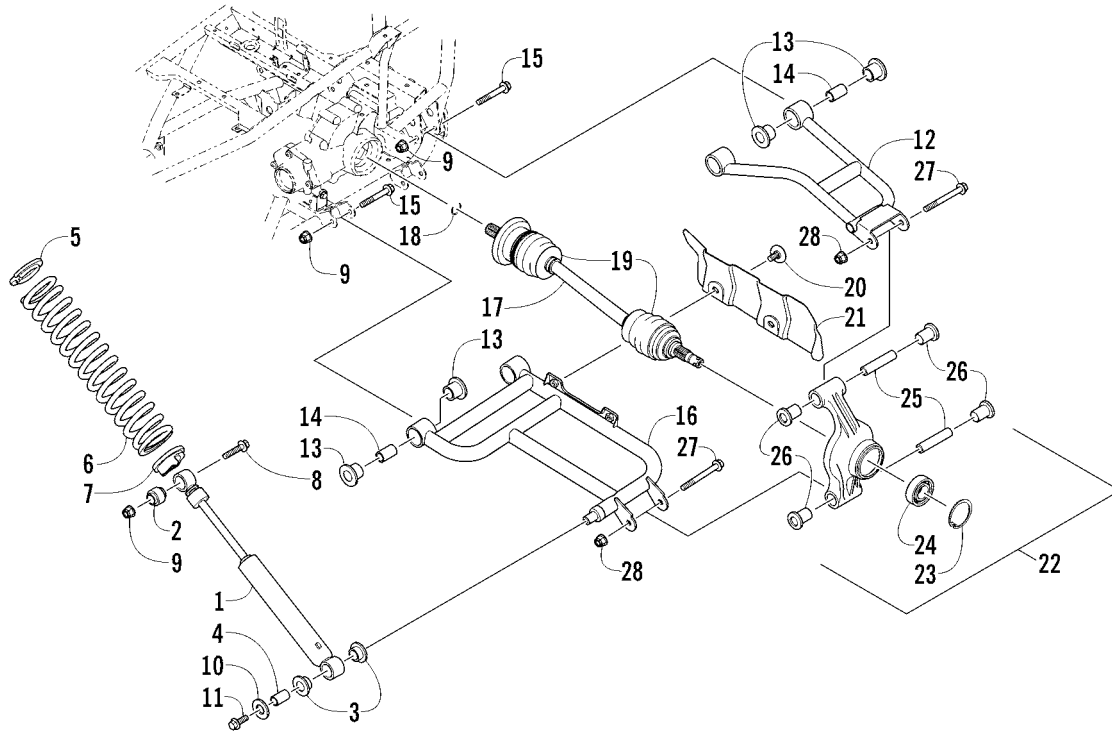
Ref	Part No.	New Qty	Description	Ref	Part No.	New Qty	Description
1	0430-090	1	Switch, Ignition - Assembly (inc. 2-4)	6	0641-897	1	Outlet, Accessory - 12V
2	0430-050	1	● Nut, Retaining	7	0520-126	X 1	Gauge, LCD (4CUSR/4CUSG/4CUSZ)
3	0430-042	1	● Key, Ignition - Y Series - Left-Side Cut		0520-127	X 1	Gauge, LCD (4COSR/4COSG/4COSZ)
	0430-043	1	● Key, Ignition - Z Series - Right-Side Cut	8	0420-065	1	Bracket, Retaining
4	0430-054	1	● Cover, Key	9	0423-493	2	Nut w/Washer
5	0405-273	1	Instrument Pod - Red (4CUSR/4COSR)	10	2506-470	1	Bracket, Mounting - Instrument Pod
	0405-274	1	Instrument Pod - Green (4CUSG/4COSG)	11	0423-535	2	Rivet, Reinstallable
	0405-275	1	Instrument Pod - Cat Green (4CUSZ/4COSZ)	12	2411-103	X 1	Decal, Instrument Pod



FRONT SUSPENSION ASSEMBLY

0744-483

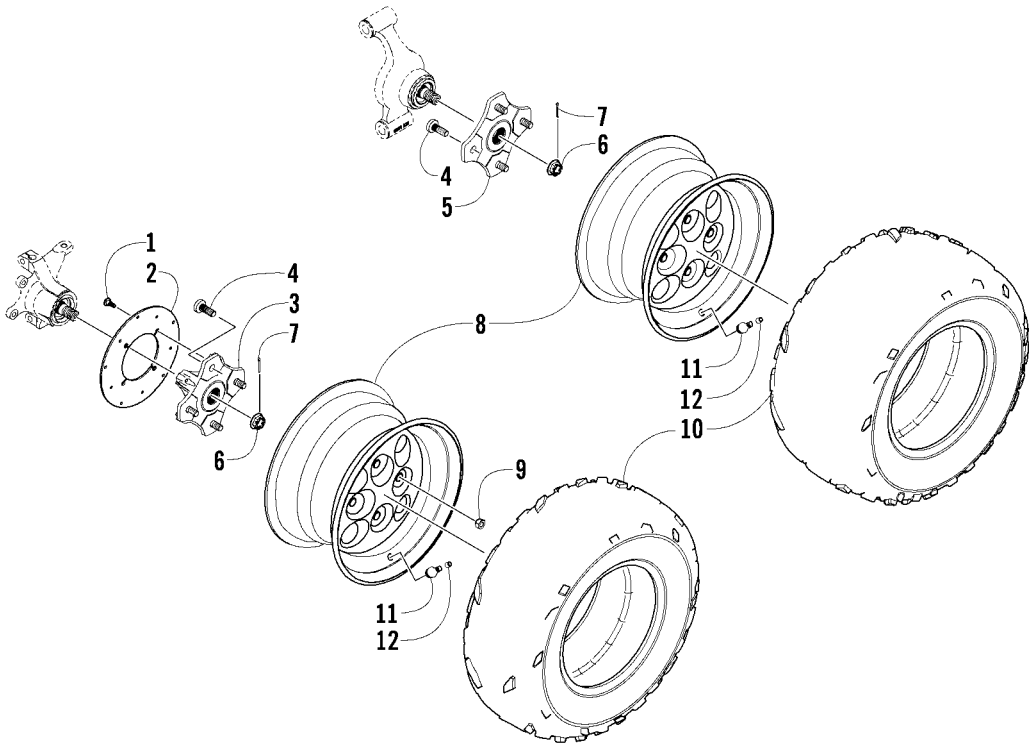
Ref	Part No.	New Qty	Description	Ref	Part No.	New Qty	Description
1	0403-209	2	Shock Absorber (inc. 2)	17	0403-208	X	● Bushing
2	0403-182	4	● Bushing	18	0403-214	X	● Axle
3	0403-102	2	Cam, Spring Adjuster	19	8409-075		Screw, Cap
4	0503-354	2	Spring, Suspension - Platinum (4CUSR/4COSR/4CUSZ/4COSZ)	20	1502-344	1	Axle, Drive - Right (inc. 21-22)
	0503-353	2	Spring, Suspension - Black (4CUSG/4COSG)		1502-345	1	Axle, Drive - Left (inc. 21-22)
5	1603-889	2	Retainer, Spring	21	0423-844	2	● Clip, Retaining
6	8409-040	4	Screw, Cap	22	1436-207	2	● Repair Kit, Boot
7	0423-744	10	Nut, Lock	23	0505-576	1	Knuckle - Assembly - Right (inc. 24-25)
8	0503-420	X	A-Arm, Upper Right - Platinum (inc. 9-12) (4CUSR/4COSR/4CUSZ/4COSZ)		0505-577	1	Knuckle - Assembly - Left (inc. 24-25)
	0503-421	X	A-Arm, Upper Left - Platinum (inc. 9-12) (4CUSR/4COSR/4CUSZ/4COSZ)	24	1402-809	2	● Bearing
	0503-416	X	A-Arm, Upper Right - Black (inc. 9-12) (4CUSG/4COSG)	25	0423-423	2	● Ring, Retaining
	0503-417	X	A-Arm, Upper Left - Black (inc. 9-12) (4CUSG/4COSG)	26	8409-030	4	Screw, Cap
9	0403-207	X	● Bushing	27	0441-752	1	Guard, Boot - Right - Red (4CUSR/4COSR)
10	0403-080	2	● Axle		0441-753	1	Guard, Boot - Left - Red (4CUSR/4COSR)
11	0423-009	4	● Ring, Retaining		1441-002	1	Guard, Boot - Right - Green (4CUSG/4COSG)
12	0405-115	4	● Ball Joint		1441-003	1	Guard, Boot - Left - Green (4CUSG/4COSG)
13	0423-946	X	Screw, Self-Tapping		0441-756	1	Guard, Boot - Right - Cat Green (4CUSZ/4COSZ)
14	1502-594	X	Clamp, Routing		0441-757	1	Guard, Boot - Left - Cat Green (4CUSZ/4COSZ)
15	0423-334	2	Screw, Cap	28	0423-545	4	Screw, Shoulder
16	0503-380	1	A-Arm, Lower Right - Platinum (inc. 17-18 and two No. 11-12) (4CUSR/4COSR/4CUSZ/4COSZ)				
	0503-381	1	A-Arm, Lower Left - Platinum (inc. 17-18 and two No. 11-12) (4CUSR/4COSR/4CUSZ/4COSZ)				
	0503-376	1	A-Arm, Lower Right - Black (inc. 17-18 and two No. 11-12) (4CUSG/4COSG)				
	0503-377	1	A-Arm, Lower Left - Black (inc. 17-18 and two No. 11-12) (4CUSG/4COSG)				



REAR SUSPENSION ASSEMBLY

0744-446

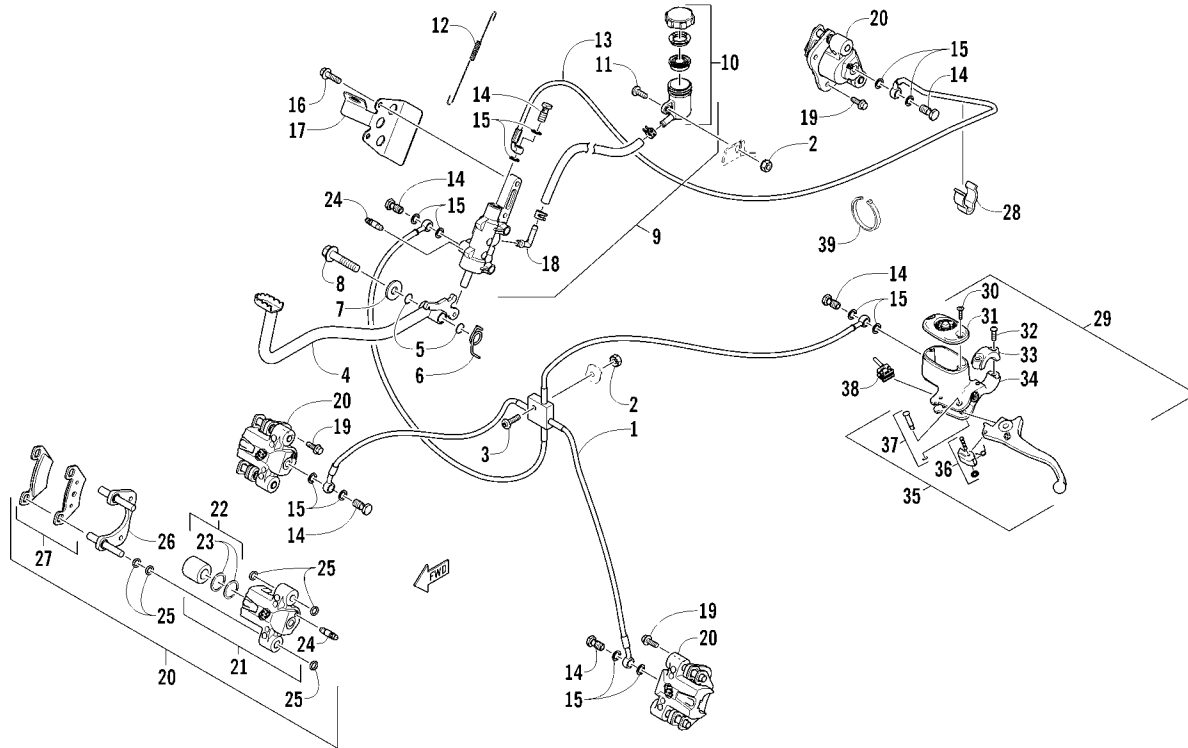
Ref	Part No.	New	Qty	Description	Ref	Part No.	New	Qty	Description
1	0404-158		2	Shock Absorber (inc. 2-4)	17	1502-343		2	Axle, Drive (inc. 18-19)
2	0403-182		2	● Bushing	18	0423-845		2	● Clip, Retaining
3	0603-955		4	● Bushing	19	1436-207		2	● Repair Kit, Boot
4	1603-219		2	● Sleeve	20	0423-545		4	Screw, Shoulder
5	1603-889		2	Retainer, Spring	21	0441-754		1	Guard, Boot - Rear - Right - Red (4CUSR/4COSR)
6	0504-538		2	Spring, Suspension - Platinum (4CUSR/4COSR/4CUSZ/4COSZ)		0441-755		1	Guard, Boot - Rear - Left - Red (4CUSR/4COSR)
	0504-536		2	Spring, Suspension - Black (4CUSG/4COSG)		1441-004		1	Guard, Boot - Rear - Right - Green (4CUSG/4COSG)
7	0404-057		2	Cam, Spring Adjuster		1441-005		1	Guard, Boot - Rear - Left - Green (4CUSG/4COSG)
8	8409-040		1	Screw, Cap - Right		0441-758		1	Guard, Boot - Rear - Right - Cat Green (4CUSZ/4COSZ)
	8409-050		1	Screw, Cap - Left		0441-759		1	Guard, Boot - Rear - Left - Cat Green (4CUSZ/4COSZ)
9	0423-744		10	Nut, Lock	22	0504-548		1	Knuckle, Right Rear - Assembly (inc. 23-26)
10	0423-087		2	Washer		0504-549		1	Knuckle, Left Rear - Assembly (inc. 23-26)
11	8408-820		2	Screw, Cap	23	0423-423		2	● Ring, Retaining
12	0504-586		1	A-Arm, Rear - Upper Right - Platinum (inc. 13-14) (4CUSR/4COSR/4CUSZ/4COSZ)	24	1402-809		2	● Bearing
	0504-587		1	A-Arm, Rear - Upper Left - Platinum (inc. 13-14) (4CUSR/4COSR/4CUSZ/4COSZ)	25	0403-213	X	4	● Axle
	0504-582		1	A-Arm, Rear - Upper Right - Black (inc. 13-14) (4CUSG/4COSG)	26	0403-206	X	8	● Bushing
	0504-583		1	A-Arm, Rear - Upper Left - Black (inc. 13-14) (4CUSG/4COSG)	27	8409-000		4	Screw, Cap
13	0403-208	X	16	● Bushing	28	8428-002		4	Nut, Lock
14	0403-214	X	8	● Axle					
15	8409-075		8	Screw, Cap					
16	0504-576		1	A-Arm, Rear - Lower Right - Platinum (inc. 13-14) (4CUSR/4COSR/4CUSZ/4COSZ)					
	0504-577		1	A-Arm, Rear - Lower Left - Platinum (inc. 13-14) (4CUSR/4COSR/4CUSZ/4COSZ)					
	0504-572		1	A-Arm, Rear - Lower Right - Black (inc. 13-14) (4CUSG/4COSG)					
	0504-573		1	A-Arm, Rear - Lower Left - Black (inc. 13-14) (4CUSG/4COSG)					



WHEEL AND TIRE ASSEMBLY

0743-964

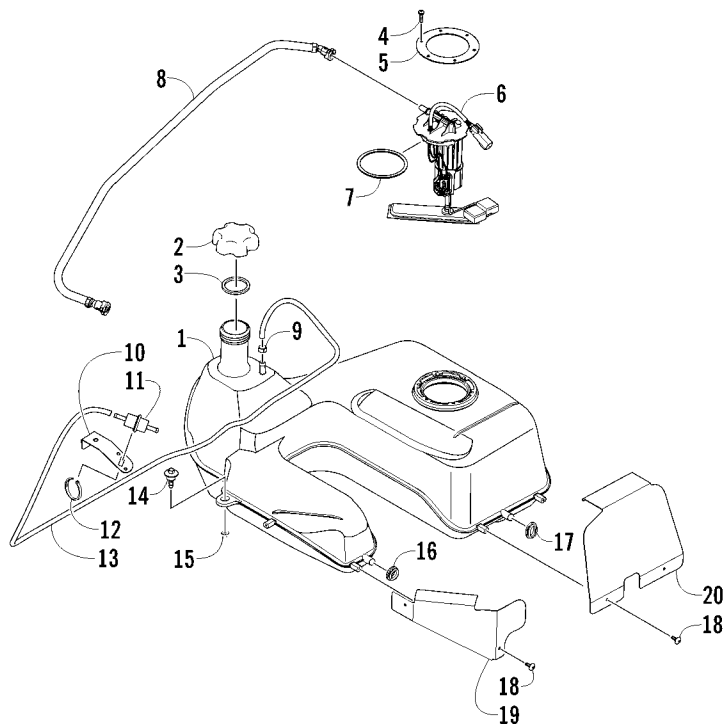
Ref	Part No.	New Qty	Description	Ref	Part No.	New Qty	Description
1	0423-557		12 Screw, Shoulder	9	0423-408		16 Nut, Lug
2	1436-164		3 Disc, Brake	10	1402-894	X	2 Tire - Front
3	3323-100		2 Hub, Wheel - Front (inc. 4)		1402-895	X	2 Tire - Rear
4	0402-974	16	● Stud	11	0402-064		4 Stem, Valve (inc. 12)
5	3323-100		1 Hub, Wheel - Rear - Right (inc. 4)	12	0402-140		4 ● Cap, Valve Stem
	3323-113		1 Hub, Wheel - Rear - Left (inc. 4)				
6	0423-607	4	4 Nut, Castle				
7	0423-407	4	4 Pin, Cotter				
8	1402-776	2	2 Wheel - Front - Platinum (4CUSR/4COSR/4CUSZ/4COSZ)				
	1402-777	2	2 Wheel - Rear - Platinum (4CUSR/4COSR/4CUSZ/4COSZ)				
	1402-778	2	2 Wheel - Front - Gray (4CUSG/4COSG)				
	1402-779	2	2 Wheel - Rear - Gray (4CUSG/4COSG)				



HYDRAULIC BRAKE ASSEMBLY

0744-536

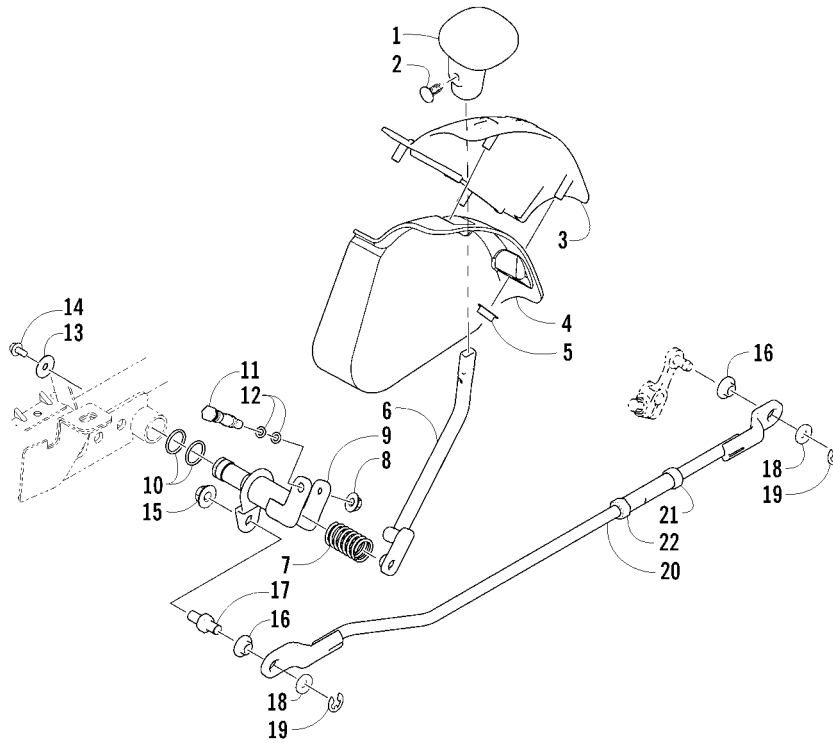
Ref	Part No.	New	Qty	Description	Ref	Part No.	New	Qty	Description
1	1502-015		1	Hose, Brake - Assembly	21	1436-160		1	● Housing, Caliper - Assembly - Right Front (inc. two No. 19 and 22-24)
2	0623-038		2	Nut w/Washer		1436-161		1	● Housing, Caliper - Assembly - Left Front (inc. two No. 19 and 22-24)
3	8476-625		1	Screw, Machine		1436-161		1	● Housing, Caliper - Assembly - Rear (inc. two No. 19 and 22-24)
4	1502-063		1	Lever, Brake	22	0502-606		3	●● Piston/Seal Set (inc. 23)
5	1602-213		2	O-Ring	23	0502-607		3	●●● Seal Set
6	0502-807		1	Spring, Brake Lever	24	0502-609		4	●● Valve, Bleed
7	8050-252		1	Washer	25	0502-608		3	● O-Ring, Guide - Set
8	8408-816		1	Screw, Cap	26	0502-605		3	● Bracket Assembly
9	1502-293		1	Brake Assembly (inc. 10)	27	1502-694	X	3	● Pad, Brake - Set
10	1502-155		1	● Reservoir, Brake w/Clamp	28	1502-115		2	Clip, Brake Hose
11	8476-616		1	Screw, Machine	29	0502-914		1	Brake Assembly (inc. 30-38)
12	0502-785		1	Spring, Brake Switch	30	0502-566		1	● Screw, Machine - Kit
13	1502-593	X	1	Hose, Brake	31	0502-868		1	● Cover, Reservoir
14	0423-413		6	Bolt, Banjo-Fitting	32	0502-568		1	● Screw, Machine - Kit
15	0423-178		12	Washer, Crush	33	0502-869		1	● Clamp, Master Cylinder
16	8408-625		2	Screw, Cap	34	0502-704		1	● Master Cylinder Assembly
17	1502-179		1	Bracket, Switch	35	0502-866		1	● Lever Assembly - Kit (inc. 36-37)
18	1502-296		1	Adapter, Hose	36	0502-867		1	●● Lock, Brake Lever - Kit
19	8408-821		6	Screw, Cap	37	0502-580		1	●● Lever Pin - Kit
20	1502-726	X	1	Caliper, Brake - Right Front (inc. two No. 19 and 21-27)	38	0502-564		1	● Switch, Brake
	1502-727	X	1	Caliper, Brake - Left Front (inc. two No. 19 and 21-27)	39	0123-788		AR	Tie, Cable - 8 in.
	1502-727	X	1	Caliper, Brake - Rear (inc. two No. 19 and 21-27)					



GAS TANK ASSEMBLY

0744-428

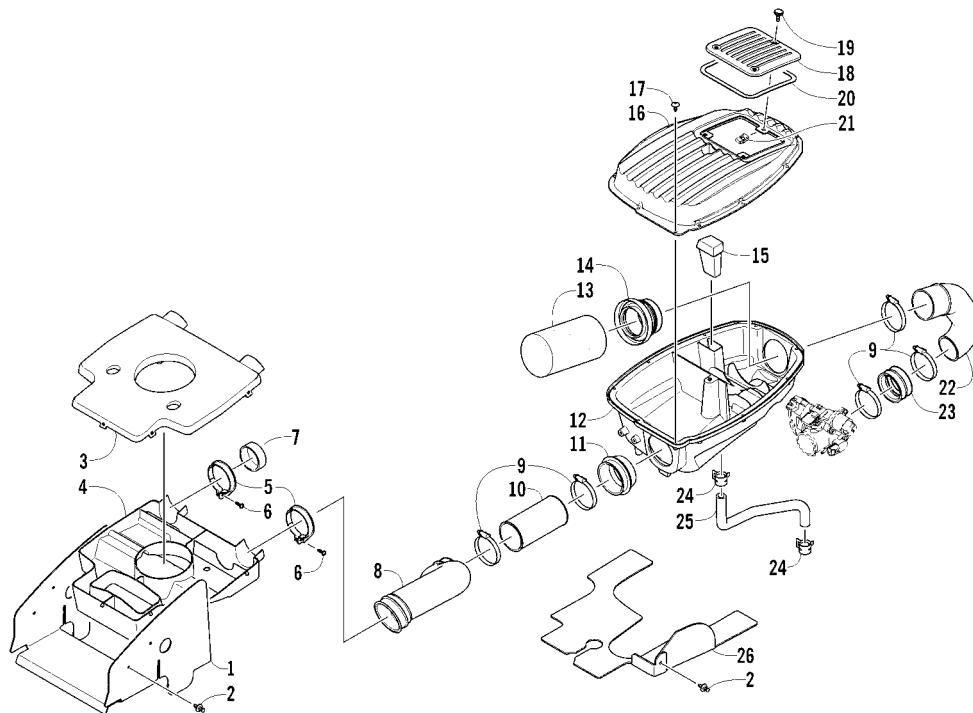
Ref	Part No.	New	Qty	Description	Ref	Part No.	New	Qty	Description
1	0570-307	X	1	Tank, Gas - Assembly (inc. 2-5)	11	0510-335		1	Filter, In-Line
2	0470-438		1	● Cap, Gas Tank (inc. 3)	12	0123-788	AR		Tie, Cable - 8 in.
3	0109-733		1	●● Gasket, Gas Tank Cap	13	0410-070	AR		Hose, Gasline - 25 ft
4	0423-898	X	6	● Screw, Self-Tapping	14	0423-732		2	Screw, Shoulder
5	2670-042	X	1	● Plate, Retaining	15	0623-038		1	Nut w/Washer
6	0570-322	X	1	Pump, Fuel - Assembly (inc. 7)	16	0423-460		1	Grommet
7	0470-838	X	1	● Seal	17	0423-806		1	Grommet
8	0570-316	X	1	Hose, Fuel - Assembly	18	0623-797		4	Screw, Self-Tapping
9	0423-688		1	Clamp, Hose	19	0470-709		1	Shield, Heat - Gas Tank - Front
10	0470-827		1	Bracket, Filter Mounting	20	0470-710		1	Shield, Heat - Gas Tank - Rear



SHIFT LEVER ASSEMBLY

0744-539

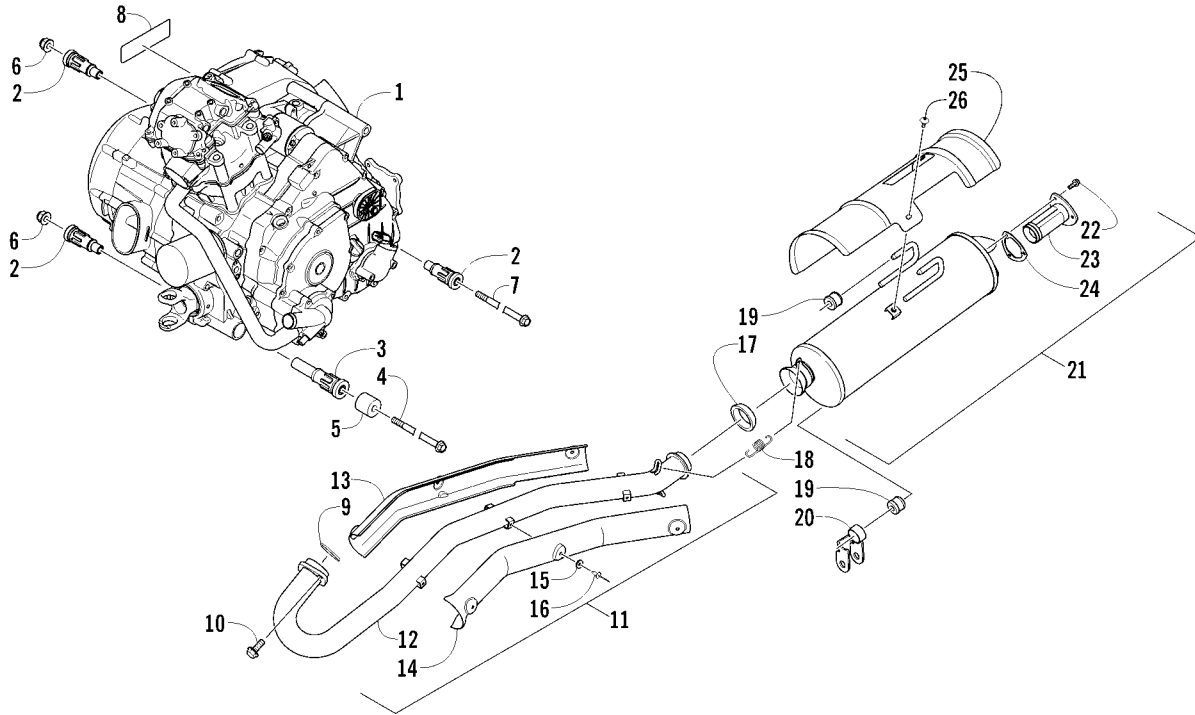
Ref	Part No.	New Qty	Description	Ref	Part No.	New Qty	Description
1	0402-843	1	Knob, Shift	12	0423-182	2	O-Ring
2	0423-345	1	Clip, Retaining	13	0423-087	1	Washer
3	1402-562	1	Plate, Shift	14	8408-812	1	Screw, Cap
4	2406-348	1	Shield, Shift Plate	15	8424-802	1	Nut
5	0423-357	4	Nut, Stamped	16	0423-091	2	Bushing
6	0502-659	1	Lever, Shift	17	1402-621	1	Pin, Mounting
7	0402-678	1	Spring, Shift Lever	18	0623-094	2	Washer
8	8424-602	1	Nut	19	0423-169	2	E-Ring
9	1502-332	1	Actuator, Shift	20	1502-652	X 1	Linkage, Shift - Assembly (inc. 21-22)
10	0423-299	2	O-Ring	21	0623-294	1	● Nut, Hex - Right-Hand Thread
11	0402-675	1	Axle, Pivot	22	0123-917	1	● Nut, Hex - Left-Hand Thread



AIR INTAKE ASSEMBLY

0744-957

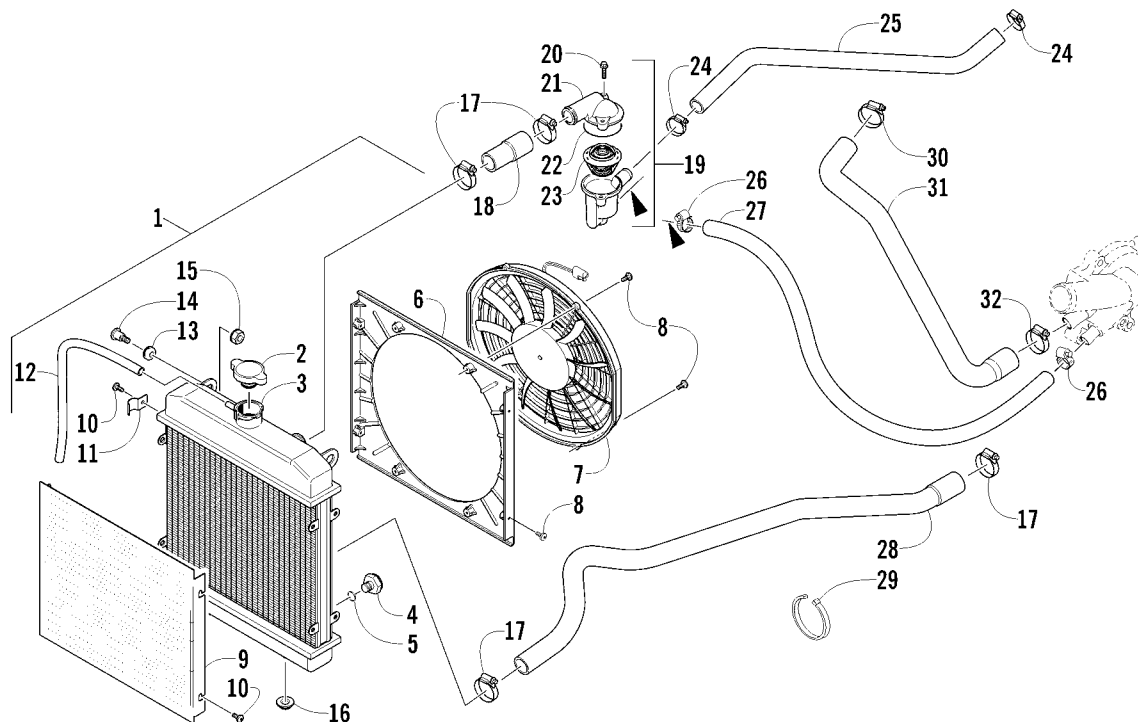
Ref	Part No.	New	Qty	Description	Ref	Part No.	New	Qty	Description
1	2406-013		1	Shroud, Splash	14	0470-888	X	1	Boot, Adapter
2	0623-362		4	Rivet, Reinstallable	15	0470-891	X	1	Filter, Vent
3	0413-091		1	Diverter, Air - Top	16	0470-873	X	1	Cover, Intake
4	0413-093		1	Diverter, Air - Bottom	17	0623-784	X	11	Screw, Self-Tapping
5	0423-551		2	Clamp	18	0470-874	X	1	Cover, Access
6	0423-342		2	Screw, Self-Tapping	19	0423-996	X	3	Screw, Thumb
7	0413-096		1	Cap, Air Intake - Diverter	20	0470-892	X	1	Seal
8	0470-529		1	Duct, Air Intake - Engine	21	1623-637	X	3	Clip, U-Nut
9	0423-019		5	Clamp	22	0470-876	X	1	Duct, Intake - Housing/Throttle Body
10	0470-875	X	1	Duct, Intake - Diverter/Housing	23	0470-871	X	1	Boot, Intake - Housing/Throttle Body
11	0470-869	X	1	Boot, Intake - Diverter/Housing	24	1623-281	X	2	Clamp, Hose
12	0470-872	X	1	Housing, Intake	25	0410-173	X	1	Hose, Vent
13	0470-890	X	1	Filter, Air	26	2416-388	X	1	Panel, Shield



ENGINE AND EXHAUST

0744-963

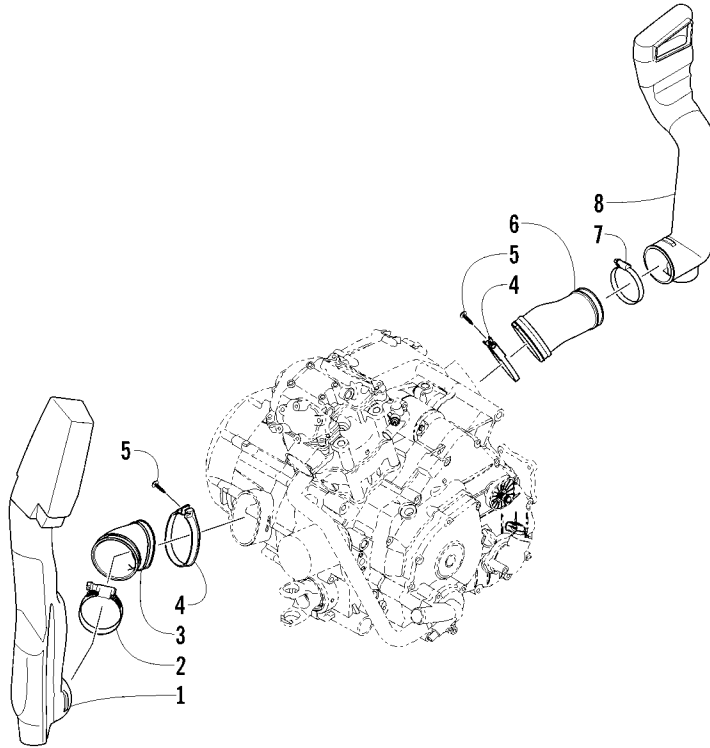
Ref	Part No.	New	Qty	Description	Ref	Part No.	New	Qty	Description
1	3313-732	X	1	Engine (inc. 2-3)	14	0512-515	X	1	● Shield, Exhaust Pipe - Outer
2	0801-188	X	3	● Mount, Rubber - Engine	15	8050-217		6	● Washer
3	0801-189	X	1	● Mount, Rubber - Engine	16	8061-486		6	● Rivet
4	0423-405		1	Screw, Cap	17	0412-375		1	Seal, Exhaust
5	0408-018		1	Spacer	18	0612-668		2	Spring, Extension
6	8428-002		2	Nut, Lock	19	0412-215		3	Bushing
7	0423-451		1	Screw, Cap	20	1506-732		1	Channel, Muffler Support
8	0411-426		1	Decal, Warning - Clutch Cover	21	0512-355		1	Muffler - Assembly (inc. 22-24)
9	3313-743	X	1	Gasket, Exhaust	22	8408-616		3	● Screw, Cap
10	8408-820		2	Screw, Cap	23	0512-219		1	● Arrestor, Spark - Assembly
11	0512-508	X	1	Pipe, Exhaust - Assembly (inc. 12-16)	24	0412-313		1	● Gasket, Spark Arrestor
12	0512-502	X	1	● Pipe, Exhaust	25	0412-373		1	Cover, Muffler
13	0512-516	X	1	● Shield, Exhaust Pipe - Inner	26	8477-610		3	Screw, Machine



COOLING ASSEMBLY

0744-970

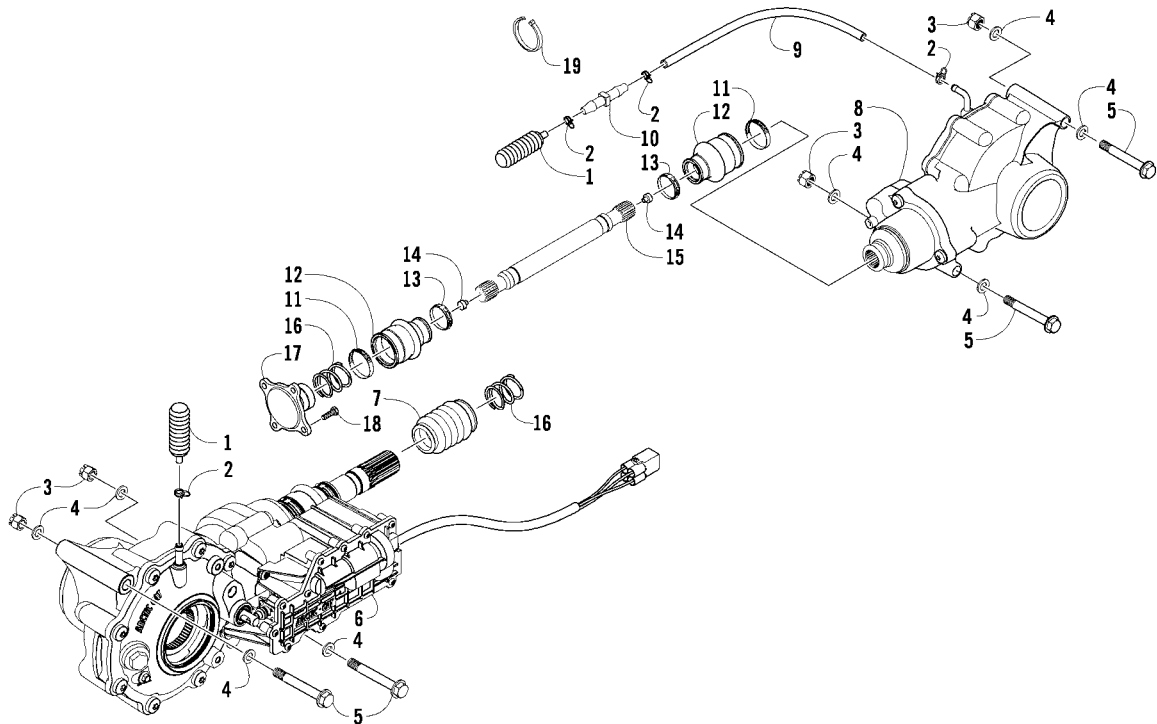
Ref	Part No.	New	Qty	Description	Ref	Part No.	New	Qty	Description
1	0413-256	X	1	Radiator Assembly (inc. 2-13)	18	0410-205	X	1	Hose, Coolant - Radiator/Thermostat
2	0413-255	X	1	● Cap	19	0808-192	X	1	Housing, Thermostat - Assembly (inc. 20-23)
3	0413-205		1	● Radiator	20	3303-384		2	● Screw, Cap
4	0413-195		1	● Plug, Drain	21	0808-202	X	1	● Cover, Housing - Thermostat
5	1602-213		1	● O-Ring	22	0830-205	X	1	● O-Ring
6	0413-203		1	● Shroud, Fan	23	0813-050	X	1	● Thermostat
7	0413-123		1	● Fan, Cooling	24	0423-490		2	Clamp, Hose
8	0623-378		8	● Screw, Self-Tapping	25	0410-203	X	1	Hose, Coolant - Thermostat/Cylinder
9	0413-007		1	● Screen	26	0423-632		2	Clamp, Hose
10	8475-512		4	● Screw, Machine	27	0410-202	X	1	Hose, Coolant - Thermostat/Water Pump
11	0423-351		1	● Clamp, Wire	28	0410-204	X	1	Hose, Coolant - Radiator/Water Pump
12	0610-016	AR		● Hose - 25 ft	29	0123-788	AR		Tie, Cable - 8 in.
	0610-015	AR		● Hose - 100 ft		0123-903	AR		Tie, Cable - 11.5 in.
13	0423-030		2	● Grommet	30	1423-008	X	1	Clamp, Hose
14	0423-484		2	Screw, Shoulder	31	0410-216	X	1	Hose, Coolant - Water Pump/Cylinder
15	0623-038		2	Nut w/Washer	32	3305-941	X	1	Clamp, Hose
16	0423-028		2	Bushing, Stem					
17	0423-496		4	Clamp, Hose					



CASE/BELT COOLING ASSEMBLY

0744-971

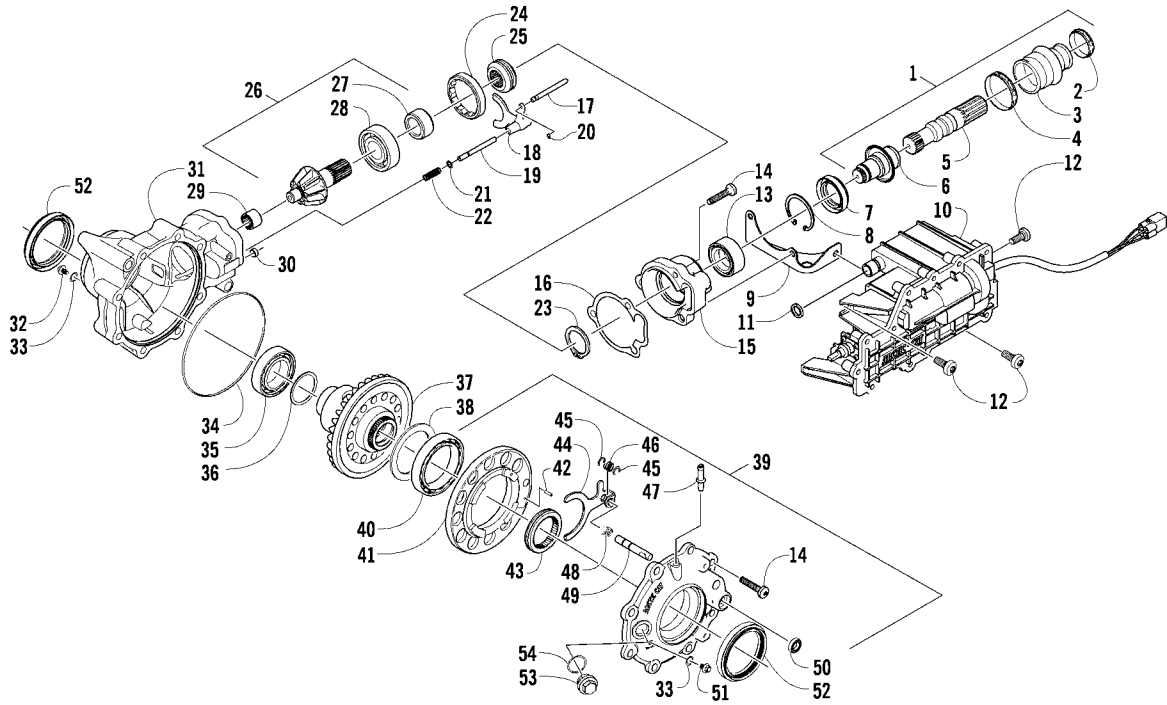
Ref	Part No.	New Qty	Description	Ref	Part No.	New Qty	Description
1	0413-126	1	Duct, Air Intake - Front - Lower	5	0423-342	2	Screw, Self-Tapping
2	0423-578	1	Clamp	6	0413-231	1	Boot, Duct - Air Out - Rear
3	0413-160	1	Boot, Duct - Air Intake - Front	7	0423-019	1	Clamp
4	0423-550	2	Clamp	8	0413-094	1	Duct, Air Out - Rear



DRIVE TRAIN ASSEMBLY

0743-966

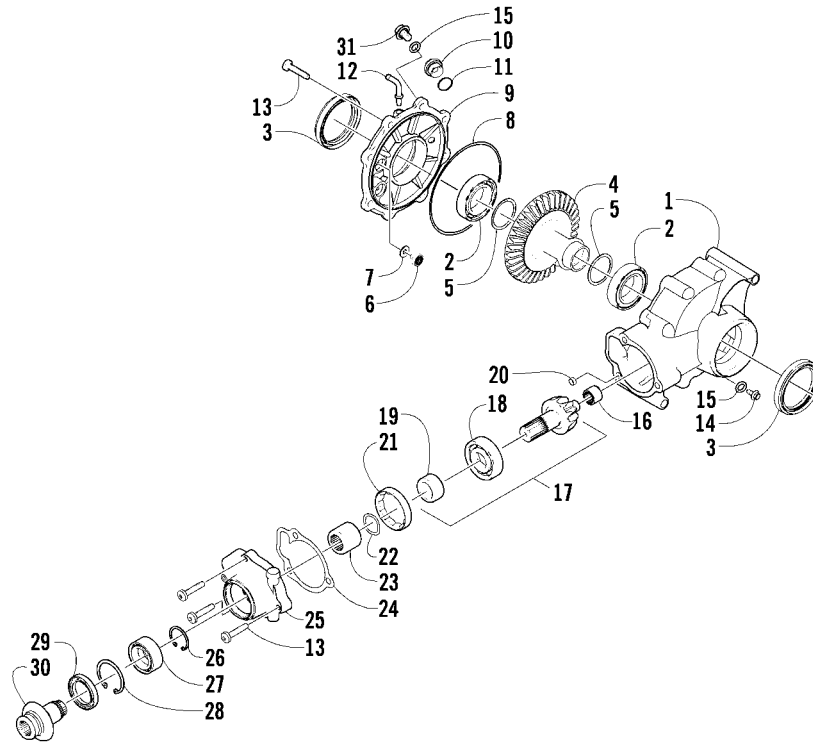
Ref	Part No.	New Qty	Description	Ref	Part No.	New Qty	Description
1	1402-620	2	Bladder, Gearcase	11	0423-393	2	Clamp
2	0423-315	4	Clamp, Hose	12	0402-985	2	Boot
3	8428-002	4	Nut, Lock	13	0423-411	2	Clamp
4	0423-426	8	Washer	14	0673-618	2	Bumper, Propeller Shaft
5	0423-404	4	Screw, Cap	15	1402-233	1	Shaft, Propeller
6	1502-527	1	Gearcase, Front	16	1402-026	2	Spring
7	0402-966	1	Boot, Shaft	17	0402-950	1	Flange, Output
8	1502-401	1	Gearcase, Rear	18	8408-820	4	Screw, Cap
9	0410-048	AR	Hose, Vent	19	0123-788	AR	Tie, Cable - 8 in.
10	0470-702	1	Fitting, Vent				



FRONT DRIVE GEARCASE ASSEMBLY

0743-250

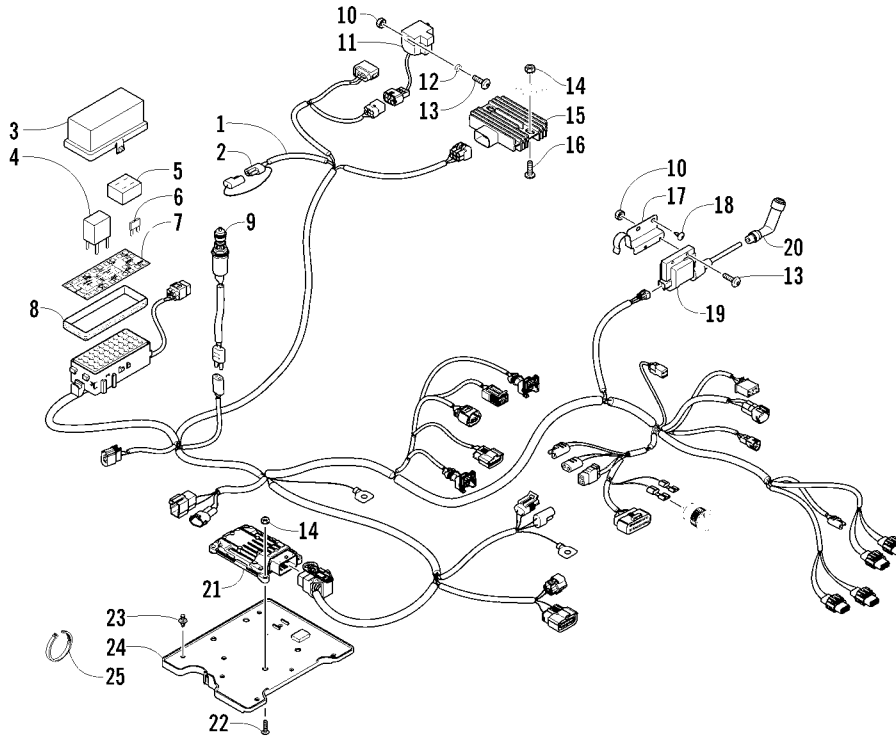
Ref	Part No.	New	Qty	Description	Ref	Part No.	New	Qty	Description
-	1502-527		1	Complete Front Drive Gearcase Assembly	31	0502-514		1	Housing, Gearcase
1	1502-084		1	Shaft, Propeller - Assembly (inc. 2-6)	32	1402-210		1	Plug, Magnetic (inc. one No. 33)
2	0423-411		1	● Clamp	33	0423-153		2	● O-Ring
3	0402-985		1	● Boot, Propeller Shaft	34	0423-149		1	O-Ring
4	0423-393		1	● Clamp	35	0402-393		1	Bearing
5	1402-046		1	● Shaft, Output	36	0402-405		AR	Shim
6	1502-085		1	● Shaft, Input		0402-406		AR	Shim
7	1402-011		1	Seal		0402-407		AR	Shim
8	0423-423		1	Ring, Retaining		0402-408		AR	Shim
9	1502-237		1	Bracket, Actuator		0402-409		AR	Shim
10	0502-585		1	Actuator	37	1502-554		1	Gear, Ring - 34T
11	0423-892		1	O-Ring	38	1402-074		AR	Shim
12	0423-396		3	Screw, Self-Tapping		1402-075		AR	Shim
13	1402-043		1	Bearing		1402-076		AR	Shim
14	0423-118		11	Screw, Self-Tapping		1402-077		AR	Shim
15	0502-528		1	Housing, Pinion		1402-078		AR	Shim
16	0402-947		1	Gasket, Flange	39	1502-389		1	Cover, Gearcase (inc. one No. 33, 40-51, and one No. 52)
17	0402-997		1	Shaft, Selector	40	1402-053		1	● Bearing
18	0402-998		1	Fork, Selector	41	0502-413		1	● Flange, Bearing
19	0402-417		1	Shaft, Shuttle	42	1402-079		1	● Pin, Parallel
20	0423-402		1	Ring, Retaining	43	1402-042		1	● Collar, Sliding
21	0423-147		1	O-Ring	44	1402-054		1	● Fork
22	0402-999		1	Spring, Return	45	1402-058		2	● Ring, Retaining
23	0423-417		1	Ring, Retaining	46	1402-057		1	● Spring
24	0402-357		1	Collar, Lock	47	1402-104		1	● Fitting
25	0402-413		1	Coupler, Drive	48	1402-063		1	● Spring
26	0502-784		1	Gear, Pinion - Assembly - 11T (inc. 27-28)	49	1402-656		1	● Shaft, Lock
27	0402-336		1	● Collar, Retaining	50	1402-056		1	● Seal
28	0402-327		1	● Bearing	51	1402-211		1	● Plug, Oil Level (inc. one No. 33)
29	0402-328		1	Bearing	52	1402-713		2	● Seal
30	0402-411		1	Pin, Dowel	53	0402-333		1	Plug, Fill (inc. 54)
					54	0423-154		1	● O-Ring



REAR DRIVE GEARCASE ASSEMBLY

0741-524

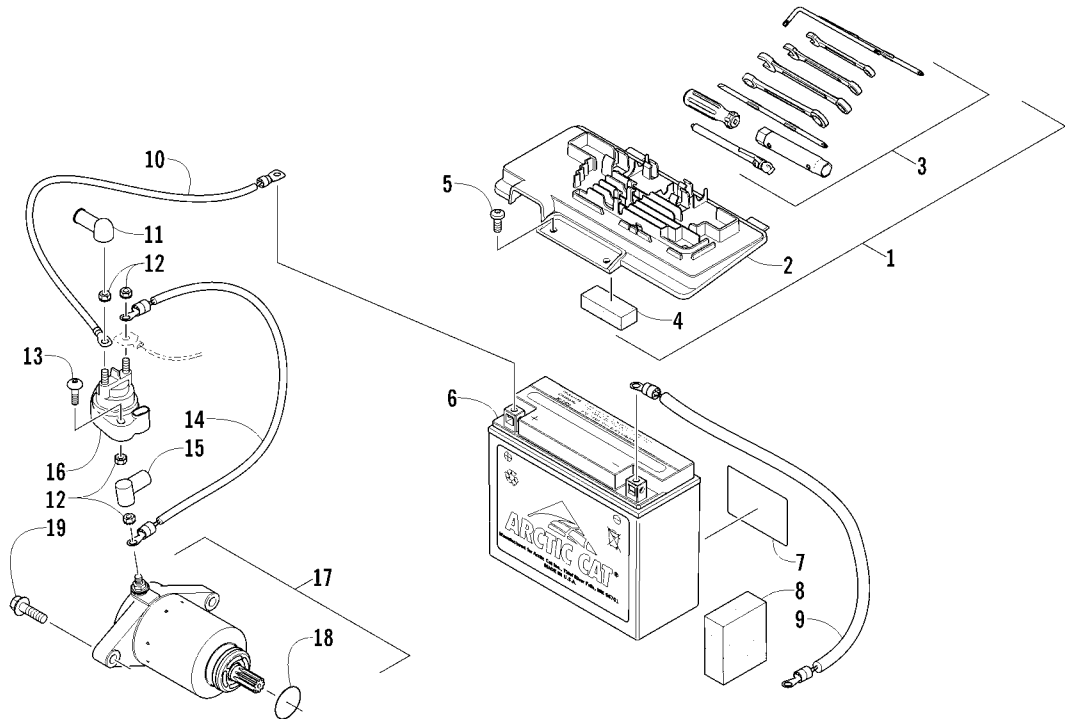
Ref	Part No.	New Qty	Description	Ref	Part No.	New Qty	Description
-	1502-401	1	Complete Rear Drive Gearcase Assembly	12	1402-102	1	Fitting
1	1502-317	1	Housing, Gearcase	13	0423-118	11	Screw, Self-Tapping
2	0402-393	2	Bearing	14	1402-210	1	Plug, Fill (inc. one No. 15)
3	1402-713	2	Seal	15	0423-153	2	● O-Ring
4	1402-033	1	Gear, Ring - 34T	16	0402-328	1	Bearing
5	0402-405	AR	Shim	17	0502-784	1	Gear, Pinion - Assembly - 11T (inc. 18-19)
	0402-406	AR	Shim	18	0402-327	1	● Bearing
	0402-407	AR	Shim	19	0402-336	1	● Collar, Retaining
	0402-408	AR	Shim	20	0402-411	1	Pin, Dowel
	0402-409	AR	Shim	21	0402-331	1	Collar, Lock
6	0402-326	1	Button, Thrust	22	0402-982	1	Washer, Wave
7	0402-429	AR	Shim	23	0402-981	1	Collar, Shaft
	0402-430	AR	Shim	24	0402-947	1	Gasket, Flange
	0402-431	AR	Shim	25	0502-529	1	Housing, Pinion
	0402-432	AR	Shim	26	0423-417	1	Ring, Retaining
	0402-433	AR	Shim	27	1402-043	1	Bearing
8	0423-149	1	O-Ring	28	0423-423	1	Ring, Retaining
9	1502-082	1	Cover, Gearcase	29	1402-011	1	Seal
10	0402-333	1	Plug, Magnetic (inc. 11)	30	1502-085	1	Shaft, Input
11	0423-154	1	● O-Ring	31	1402-211	1	Plug, Oil Level (inc. one No. 15)



WIRING HARNESS ASSEMBLY

0744-972

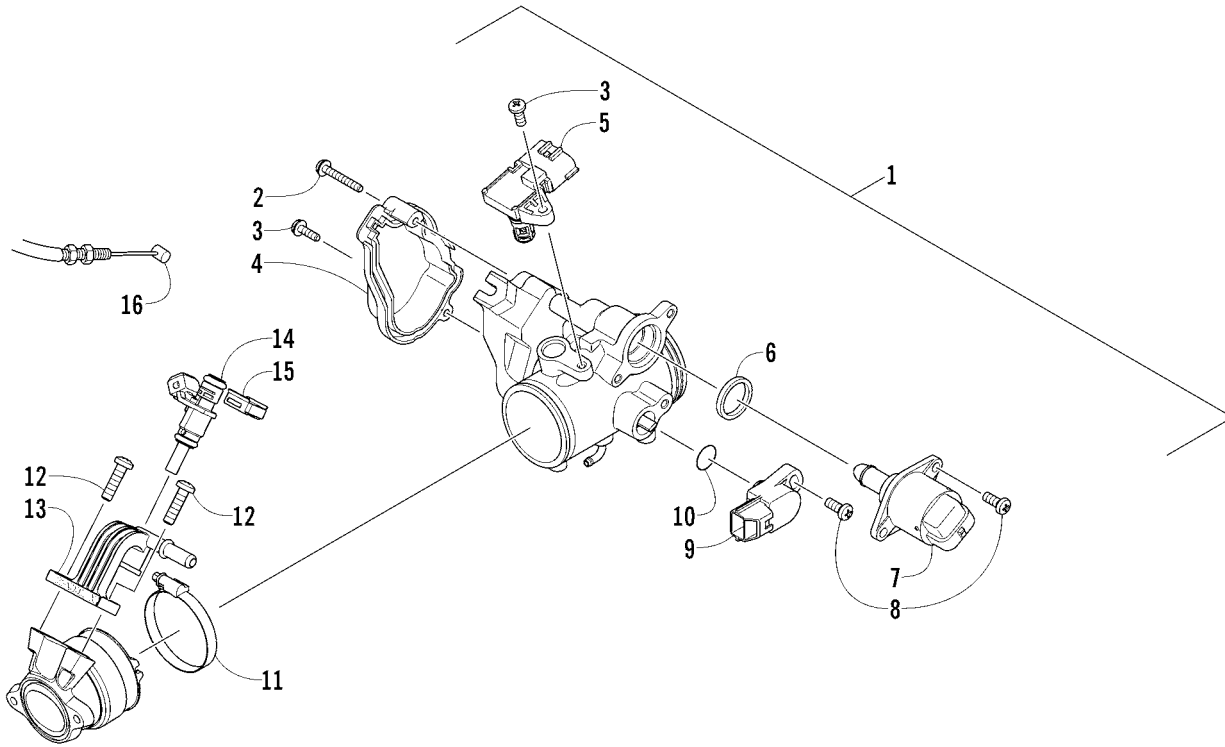
Ref	Part No.	New	Qty	Description	Ref	Part No.	New	Qty	Description
1	0486-326	X	1	Harness, Main (inc. 2-8)	13	8468-425		4	Screw, Machine
2	0486-164		1	● Tether, Accessory Connector	14	0623-038		6	Nut w/Washer
3	0430-085	X	1	● Cover, Fuse Block	15	0824-037		1	Regulator, Voltage
4	0430-045		2	● Relay (4-Pin) - 20 Amp	16	8476-625		2	Screw, Machine
	0430-033		1	● Relay (5-Pin) - 20 Amp	17	2516-566	X	1	Bracket, Mounting - Coil
5	0430-037		1	● Holder, Fuse	18	0623-309		2	Screw, Self-Tapping
6	0430-032		7	● Fuse - 10 Amp	19	0824-055	X	1	Coil, Ignition (inc. 20)
	0430-031		4	● Fuse - 15 Amp	20	0824-056	X	1	● Cap, Spark Plug
	0430-030		2	● Fuse - 30 Amp	21	0530-053	X	1	ECU (4CUSR/4CUSG/4CUSZ)
7	2411-090	X	1	● Decal, Fuse Block		0530-054	X	1	ECU (4COSR/4COSG/4COSZ)
8	0430-086	X	1	● Seal	22	8476-620		4	Screw, Machine
9	0409-089		1	Switch, Brake - Assembly	23	0623-362		4	Rivet, Reinstallable
10	0423-493		4	Nut w/Washer	24	2416-181	X	1	Tray, Electrical
11	0409-064		1	Switch, Tilt Sensor	25	0123-788		AR	Tie, Cable - 8 in.
12	0123-802		2	Washer		0123-903		AR	Tie, Cable - 11.5 in.



BATTERY AND STARTER ASSEMBLY

0744-973

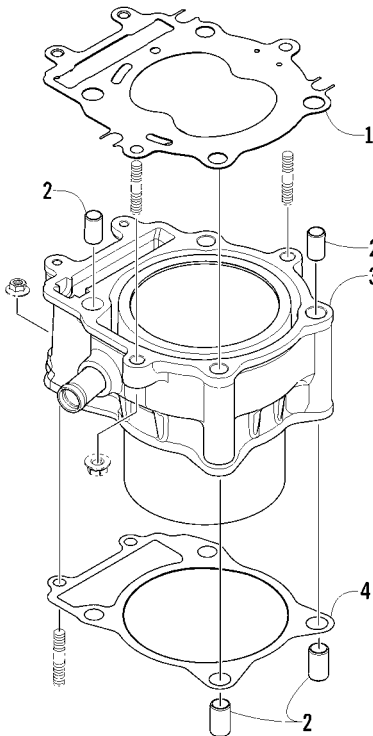
Ref	Part No.	New Qty	Description	Ref	Part No.	New Qty	Description
1	5991-655	1	Battery Cover/Tool Tray Assembly (inc. 2-4)	10	0445-062	1	Cable, Battery/Solenoid
2	2406-815	1	● Cover, Battery	11	0645-327	1	Boot, Terminal
3	0444-122	1	● Kit, Tool	12	0623-038	5	Nut w/Washer
4	0417-016	1	● Pad, Battery	13	8476-625	2	Screw, Machine
5	8476-620	2	Screw, Machine	14	0445-064	1	Cable, Solenoid/Starter (inc. 15)
6	0645-480	1	Battery Assembly (inc. 7)	15	0645-019	1	● Boot, Terminal
7	0645-430	1	● Decal, Warning	16	0445-058	1	Solenoid
8	0417-012	1	Foam, Battery	17	3305-954	X	Motor, Starter - Assembly (inc. 18)
9	0445-070	1	Cable, Battery/Ground	18	3304-104	1	● O-Ring
				19	3305-946	2	Screw, Cap



THROTTLE BODY ASSEMBLY

0744-974

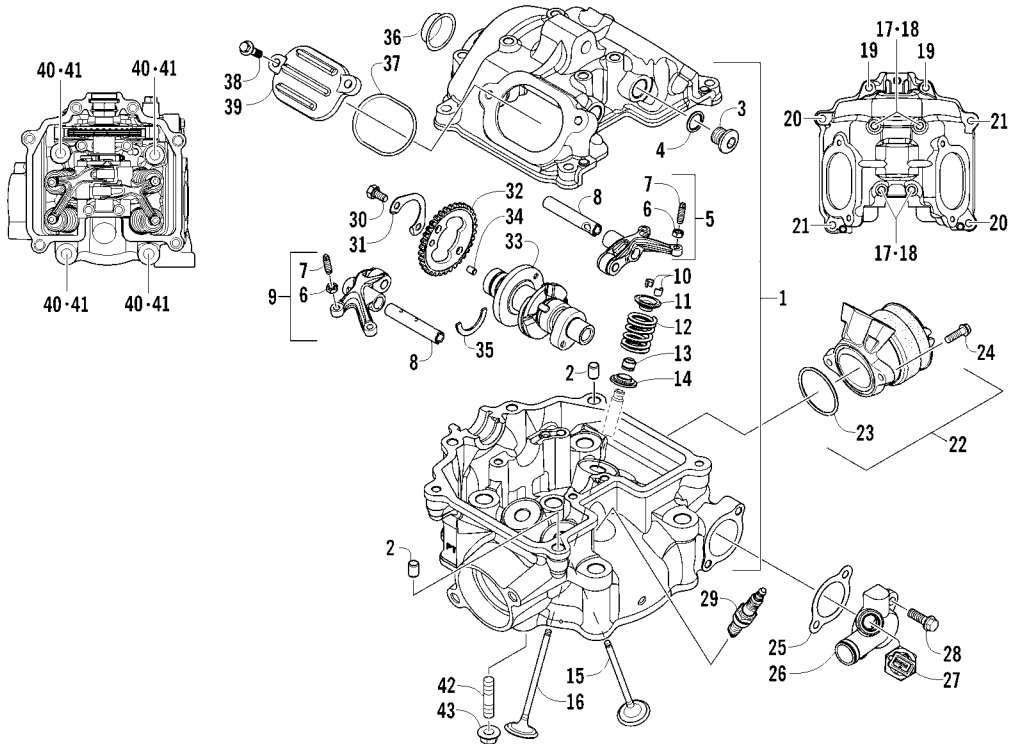
Ref	Part No.	New	Qty	Description	Ref	Part No.	New	Qty	Description
1	0570-328	X	1	Throttle Body - Assembly (inc. 2-10)	9	0824-053	X	1	● Sensor, Throttle Position (inc. 10)
2	0835-006	X	1	● Screw, Machine	10	3306-150	X	1	●● O-Ring
3	0835-007	X	2	● Screw, Machine	11	0423-019		1	Clamp
4	0824-060	X	1	● Cover	12	8468-620		2	Screw, Machine
5	0824-052	X	1	● Sensor, MAP	13	0470-885	X	1	Rail, Fuel
6	0832-088	X	1	● Seal	14	0470-884	X	1	Injector, Fuel
7	0824-054	X	1	● Valve, By-Pass - Idle Air	15	0470-889	X	1	Clip, Retaining
8	3305-953	X	3	● Screw, Machine	16	0487-076	X	1	Cable, Throttle



CYLINDER ASSEMBLY

0745-155

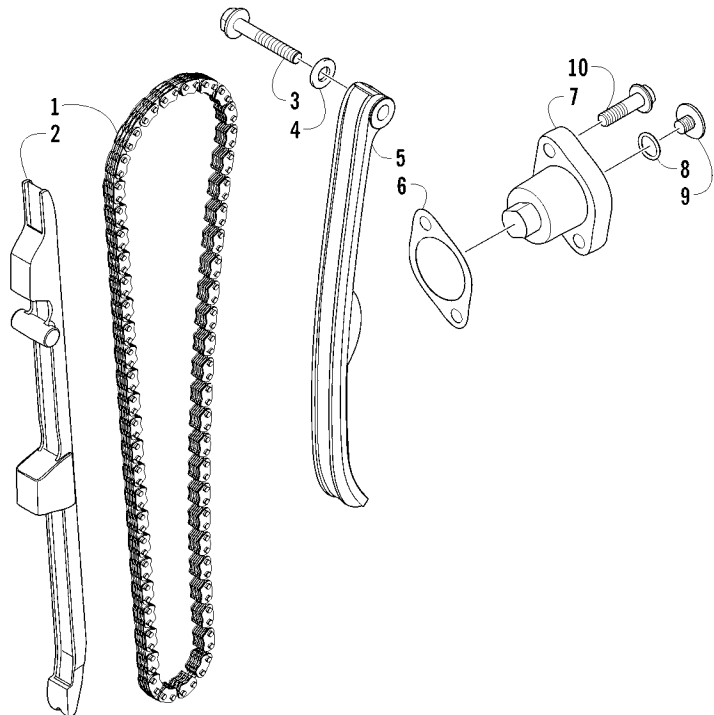
Ref	Part No.	New	Qty	Description	Ref	Part No.	New	Qty	Description
1	0830-203	X	1	Gasket, Cylinder Head	3	0804-056	X	1	Cylinder
2	0829-046		4	Pin, Dowel	4	0830-204	X	1	Gasket, Cylinder



CYLINDER HEAD AND CAMSHAFT/VALVE ASSEMBLY

0745-134

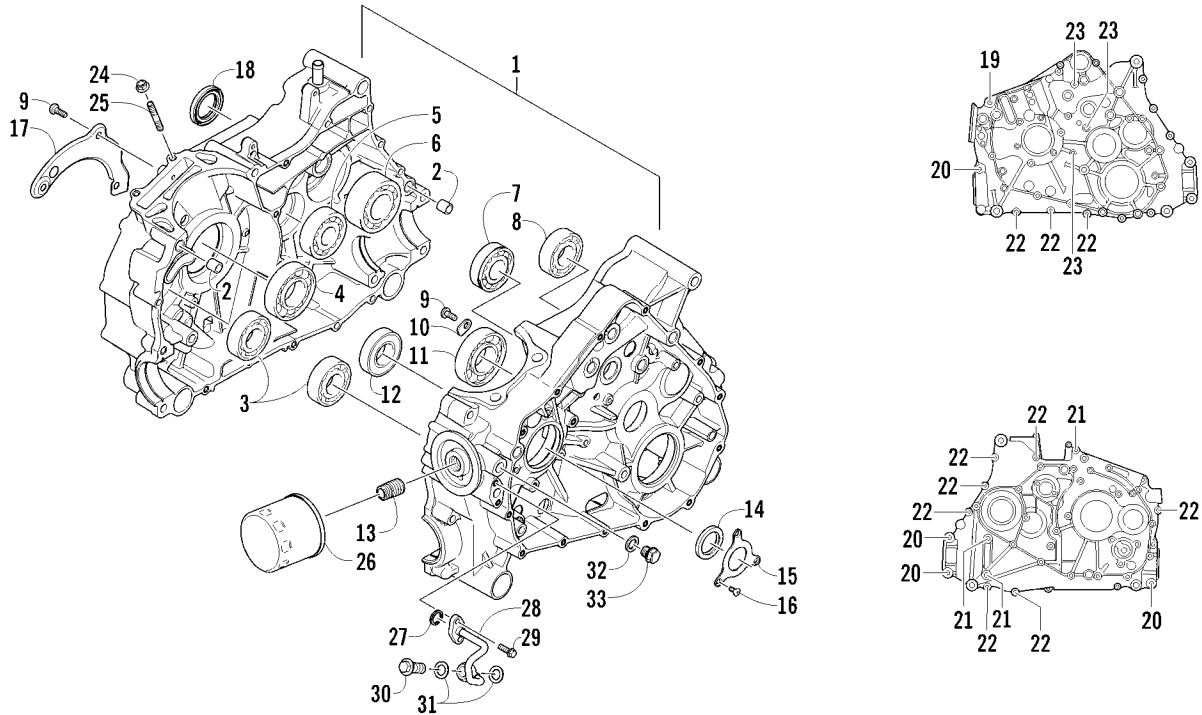
Ref	Part No.	New	Qty	Description	Ref	Part No.	New	Qty	Description
1	0808-205	X	1	Head, Cylinder (inc. 2-17)	23	0830-202	X	1	● O-Ring
2	3303-341		2	● Pin, Dowel	24	3303-383		2	Screw, Cap
3	0831-053		2	● Plug, Shaft	25	0830-200	X	1	Gasket
4	0830-143		2	● Gasket	26	0806-121	X	1	Fitting, Coolant - Assembly
5	0809-254	X	1	● Arm, Valve Rocker - Intake (inc. 6-7)	27	0808-196	X	1	Sensor, Engine Coolant Temperature
6	3304-026		4	●● Nut	28	3303-617		2	Screw, Cap
7	3304-007		4	●●● Screw, Adjuster	29	0217-708		1	Spark Plug - NGK CR7E
8	0809-256	X	2	● Shaft, Rocker Arm	30	0826-154		2	Screw, Cap
9	0809-252	X	1	● Arm, Valve Rocker - Exhaust (inc. 6-7)	31	0828-086		1	Plate, Retainer
10	3303-044		8	● Cotter, Valve	32	0809-259	X	1	Sprocket
11	0809-142	X	4	● Retainer, Spring	33	0809-260	X	1	Camshaft (inc. 34)
12	0809-257	X	4	● Spring, Valve	34	0829-036		1	● Pin, Alignment
13	0809-190	X	4	● Seal, Oil	35	0809-165		1	C-Ring
14	0809-141	X	4	● Seat, Spring	36	0808-112		1	Plug, Head
15	0809-266	X	2	● Valve, Exhaust	37	0830-139		2	O-Ring
16	0809-263	X	2	● Valve, Intake	38	3303-383		4	Screw, Cap
17	3304-904		4	● Screw, Cap	39	0808-111		2	Cap, Inspection
18	0830-155		4	Gasket	40	0826-062		4	Screw, Cap
19	3304-918		2	Screw, Cap	41	0828-044		4	Washer
20	0826-136		2	Screw, Cap	42	0827-064	X	2	Bolt, Stud
21	3303-384		2	Screw, Cap	43	3303-332		2	Nut
22	0570-304	X	1	Manifold, Intake (inc. 23)					



CAM CHAIN ASSEMBLY

0745-157

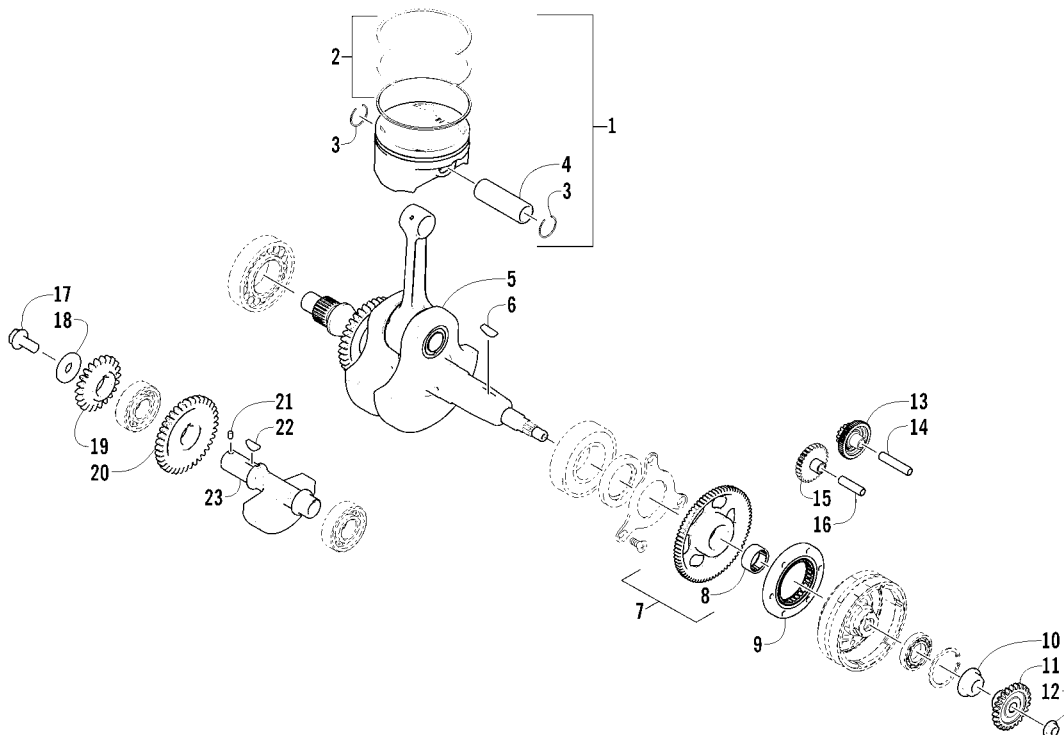
Ref	Part No.	New Qty	Description	Ref	Part No.	New Qty	Description
1	0810-005	1	Chain, Cam	6	3303-035	1	Gasket
2	0810-068	X 1	Guide, Chain	7	3303-677	1	Adjuster, Tensioner - Assembly
3	0826-133	1	Pivot, Tensioner	8	3304-100	1	O-Ring
4	0830-150	1	Washer	9	3304-006	1	Screw, Adjuster
5	0810-007	1	Tensioner, Chain	10	3303-360	2	Screw, Cap



CRANKCASE ASSEMBLY

0745-192

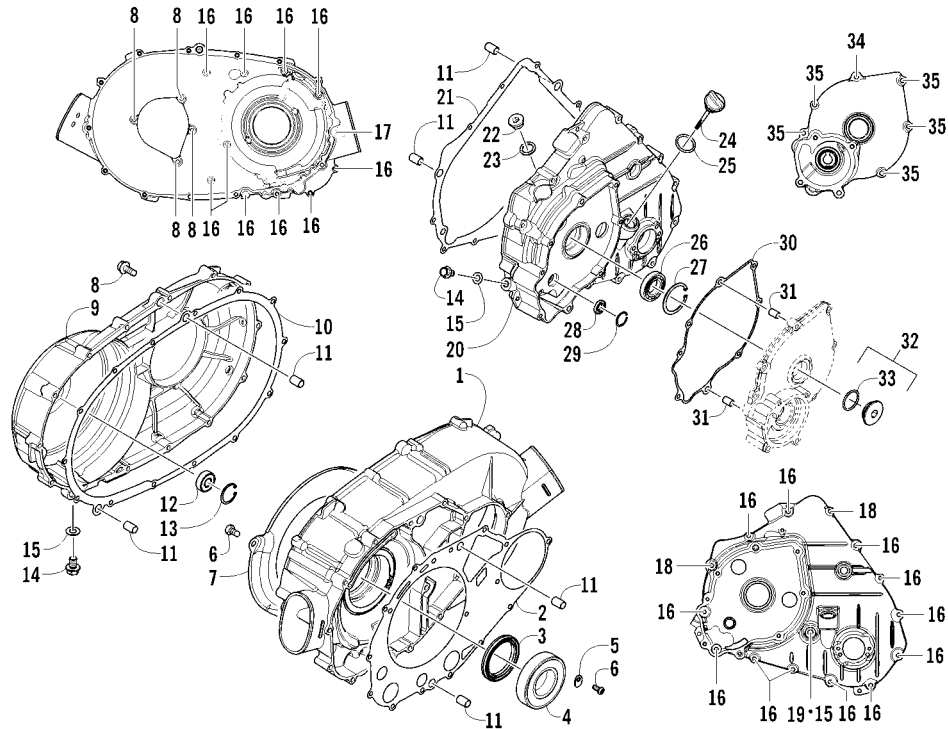
Ref	Part No.	New	Qty	Description	Ref	Part No.	New	Qty	Description
1	0801-191	X	1	Crankcase - Assembly (inc. 2-21)	18	0830-066		1	● Seal
2	0829-050		2	● Pin, Dowel	19	3303-372		1	● Screw, Cap
3	3313-745	X	2	● Bearing	20	0826-126		4	● Screw, Cap
4	0832-087	X	1	● Bearing	21	0826-064		3	● Screw, Cap
5	3304-198		1	● Bearing	22	3303-387		10	Screw, Cap
6	0832-074		1	● Bearing	23	0826-065		3	Screw, Cap
7	3304-195		1	● Bearing	24	3303-331		2	Nut
8	3304-699		1	● Bearing	25	3313-721		2	Bolt, Stud
9	0826-144		5	● Screw, Machine	26	0812-029		1	Filter, Oil
10	0822-104		2	● Retainer, Bearing	27	0830-172		1	O-Ring
11	0832-019		1	● Bearing	28	0812-086	X	1	Oilline
12	0832-020		1	● Bearing	29	3303-617		2	Screw, Cap
13	0812-066		1	● Union, Oil Filter	30	0812-084	X	1	Bolt, Banjo-Fitting
14	0830-058		1	● Seal	31	0812-085	X	2	Washer
15	0805-018		1	● Retainer	32	0830-143		1	Gasket
16	0826-145		3	● Screw, Machine	33	0835-004		1	Plug, Oil Pressure
17	0801-018		1	● Plate, Oil Guide - Right					



CRANKSHAFT, BALANCER, STARTER GEAR, AND PISTON ASSEMBLIES

0745-160

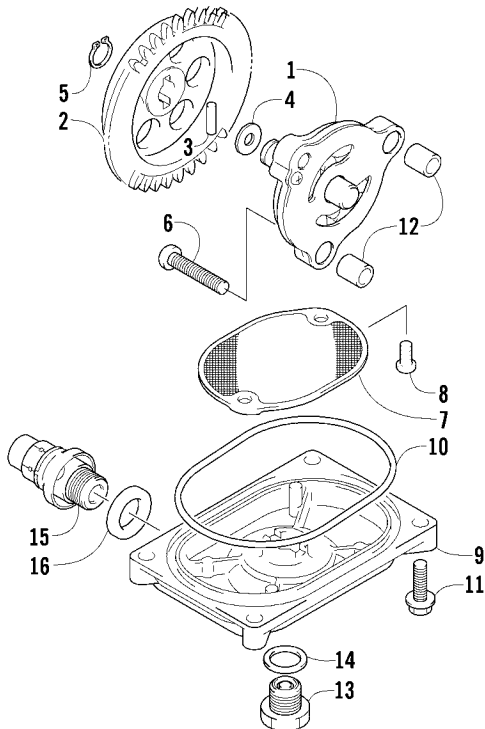
Ref	Part No.	New	Qty	Description	Ref	Part No.	New	Qty	Description
1	0805-333	X	1	Piston Set (inc. 2-4)	13	0815-025		1	Gear, Starter Idler - No. 1
2	0805-320	X	1	● Ring, Piston - Set	14	0815-007		1	Pin, Starter Idler Gear No. 1
3	0831-060		2	● Circlip	15	0815-022		1	Gear, Starter Idler - No. 2
4	0805-023		1	● Pin, Piston	16	0815-015		1	Pin, Starter Idler Gear No. 2
5	0805-013		1	Crankshaft Assembly	17	0826-118		1	Screw, Cap
6	0829-039		1	Key	18	0828-091		1	Washer
7	0815-023		1	Gear, Starter Clutch (inc. 8)	19	0811-009		1	Gear, Oil Pump Drive
8	0832-069		1	● Bearing	20	0811-006		1	Gear, Driven
9	0802-044		1	Clutch, One-Way	21	3304-144		1	Pin, Alignment
10	0827-046		1	Nut	22	0829-037		1	Key
11	0811-036	X	1	Gear, Drive	23	0811-035	X	1	Balancer, Crank
12	3303-333		1	Nut					



CLUTCH/DRIVE BELT/MAGNETO COVER ASSEMBLY

0745-196

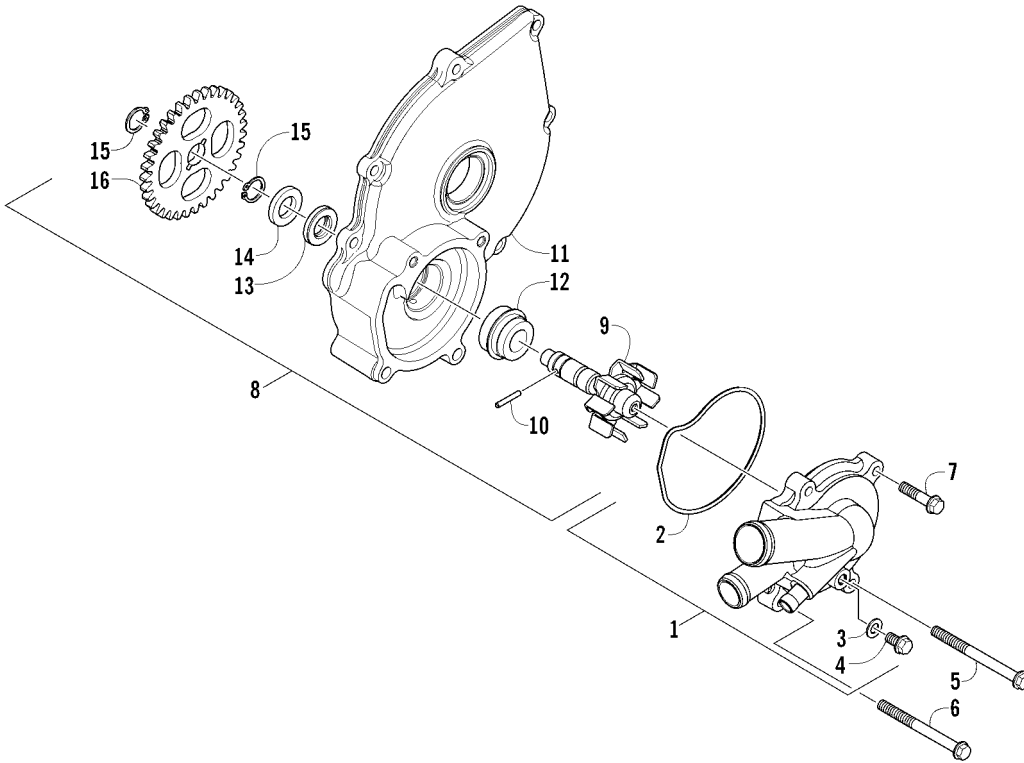
Ref	Part No.	New	Qty	Description	Ref	Part No.	New	Qty	Description
1	0806-026		1	Cover, Clutch	19	0826-068		1	Screw, Cap
2	0830-055		1	Gasket	20	0806-122	X	1	Cover, Magneto
3	0830-157		1	Seal	21	0830-057		1	Gasket
4	0832-071		1	Bearing	22	0806-099		1	Plug
5	0822-104		2	Retainer, Bearing	23	0830-141		1	Washer, Crush
6	0826-144		5	Screw, Machine	24	0806-029		1	Stick, Oil Level (inc. 25)
7	0806-103		1	Plate, Air Intake	25	3304-102		1	● O-Ring, Oil Level Stick
8	3303-386		18	Screw, Cap	26	0832-053		1	Bearing
9	0806-027		1	Cover, Drive Belt	27	3305-943		1	Ring, Retaining
10	0830-056		1	Gasket	28	3305-944		1	Bearing
11	0829-046		6	Pin, Dowel	29	3305-942		1	Ring, Retaining
12	0832-023		1	Bearing	30	0830-206	X	1	Gasket
13	3303-347		1	Circlip	31	3301-716		2	Pin, Dowel
14	3303-365		2	Plug, Drain	32	0812-087	X	1	Cap, Inspection (inc. 33)
15	3303-591		3	Gasket, Drain Plug	33	0835-016	X	1	● O-Ring
16	3304-903		22	Screw, Cap	34	0826-136		1	Screw, Cap
17	0826-066		1	Screw, Cap	35	3303-383		5	Screw, Cap
18	3304-191		2	Screw, Cap					



OIL PUMP AND STRAINER ASSEMBLY

0743-030

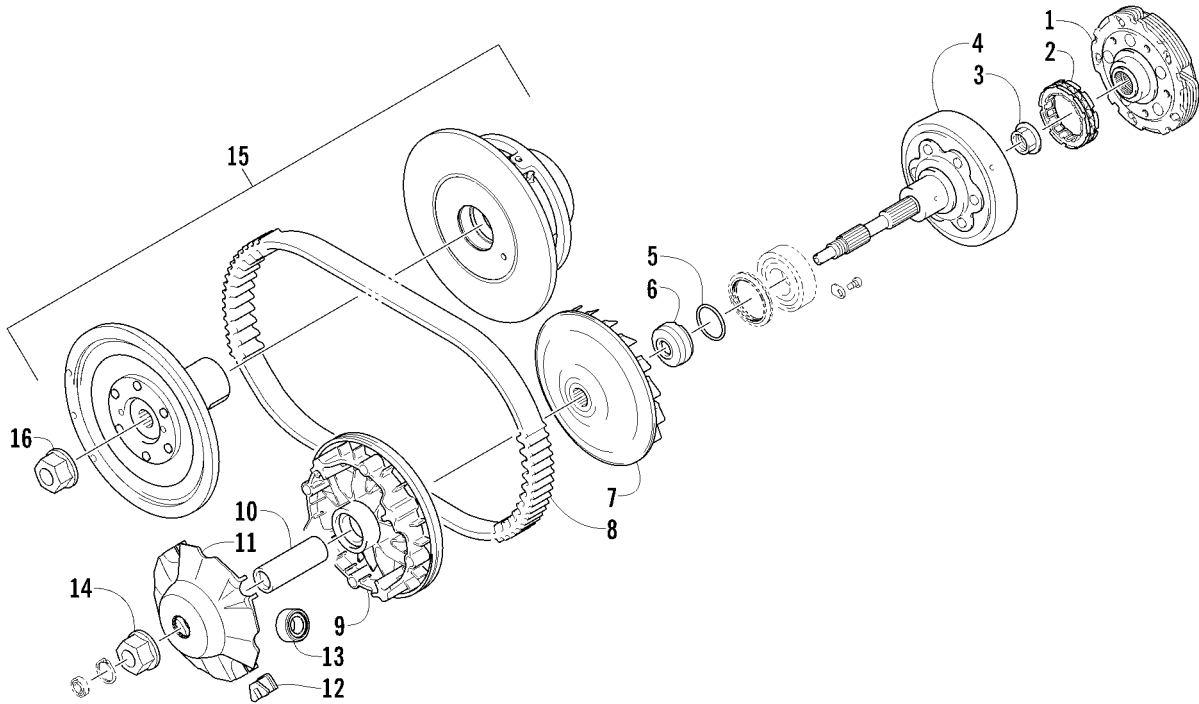
Ref	Part No.	New Qty	Description	Ref	Part No.	New Qty	Description
1	0812-069	1	Pump, Oil	9	0812-038	1	Cap, Oil Strainer
2	0812-010	1	Gear, Driven	10	0830-159	1	O-Ring
3	0812-036	1	Pin, Dowel	11	3303-384	4	Screw, Cap
4	0828-007	1	Washer	12	0829-033	2	Pin, Dowel
5	3304-146	1	Ring, Retaining	13	0812-065	1	Plug, Drain
6	0826-131	3	Screw, Machine	14	0830-143	1	Gasket
7	0812-049	1	Strainer, Oil	15	0812-067	1	Valve, Oil-Relief - Assembly (inc. 16)
8	3313-722	2	Screw, Cap	16	0830-181	1	● O-Ring



WATER PUMP ASSEMBLY

0745-190

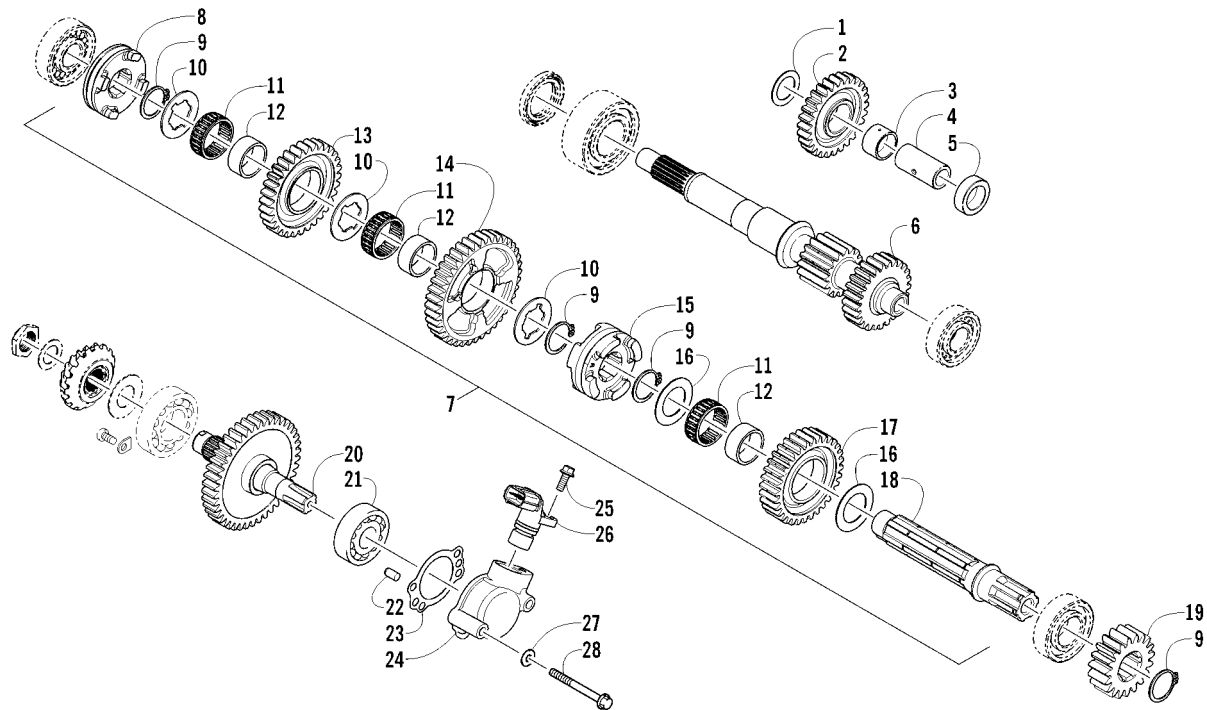
Ref	Part No.	New	Qty	Description	Ref	Part No.	New	Qty	Description
1	0813-054	X	1	Cover, Water Pump - Assembly (inc. 2-4)	9	0813-057	X	1	● Shaft, Impeller - Assembly
2	0830-208	X	1	● O-Ring	10	0829-057	X	1	● Pin, Alignment
3	3304-049		1	● Washer	11	0806-123	X	1	● Housing, Water Pump
4	3304-186		1	● Screw, Cap	12	3305-940	X	1	● Seal, Mechanical
5	0826-065		1	Screw, Cap	13	0830-207	X	1	● Seal, Oil
6	0826-151	X	1	Screw, Cap	14	0828-130	X	1	● Washer, Thrust
7	3303-384		2	Screw, Cap	15	0831-089	X	2	● Circlip
8	0813-051	X	1	Housing, Water Pump - Assembly (inc. 9-16)	16	0811-037	X	1	● Gear, Driven



CLUTCH AND DRIVE BELT ASSEMBLY

0745-229

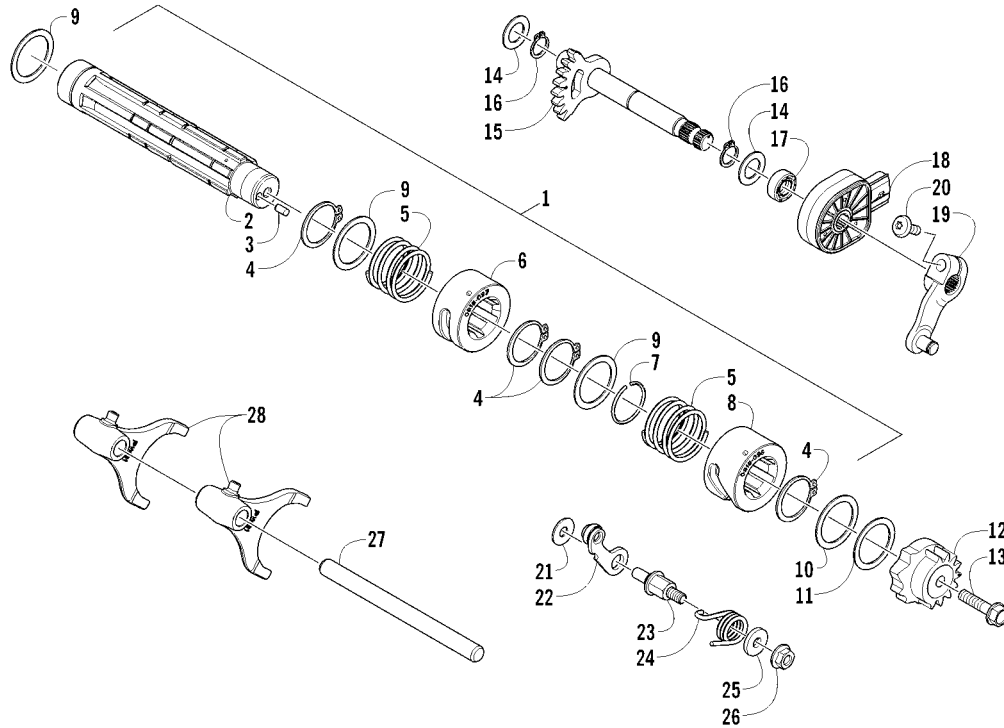
Ref	Part No.	New	Qty	Description	Ref	Part No.	New	Qty	Description
1	0823-328	X	1	Shoe, Clutch - Assembly	9	0823-324	X	1	Face, Movable Drive
2	0823-198		1	Clutch, One-Way	10	0823-206		1	Spacer, Movable Drive Face
3	0827-050		1	Nut	11	0823-213		1	Plate, Movable Drive Face
4	0823-338	X	1	Housing, Clutch	12	0823-214		4	Damper, Movable Drive Face
5	0830-187		1	O-Ring	13	0823-351	X	8	Roller, Movable Drive Face
6	0823-058		1	Spacer	14	3323-165		1	Nut
7	0823-313	X	1	Face, Fixed Drive	15	0823-350	X	1	Clutch, Driven - Assembly
8	0823-228		1	Belt, Drive	16	0827-058		1	Nut



SECONDARY TRANSMISSION ASSEMBLY

0745-182

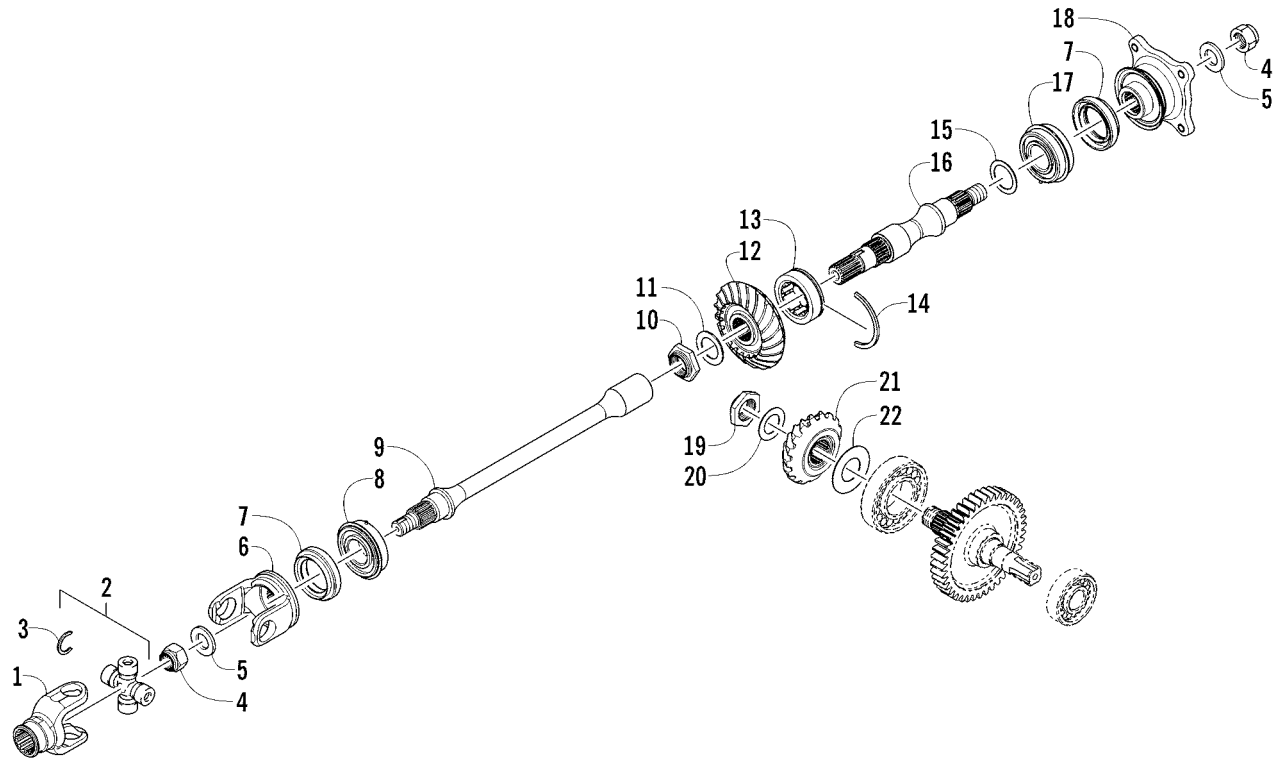
Ref	Part No.	New	Qty	Description	Ref	Part No.	New	Qty	Description
1	0828-081		1	Washer	15	0822-027		1	● Gear Select, Sliding
2	0822-061		1	Gear, Reverse Idle	16	3304-044		2	● Washer, Thrust
3	0822-065		1	Bushing	17	0818-119	X	1	● Gear, Driven - High
4	0822-064		1	Shaft, Reverse Idle	18	0822-025		1	● Countershaft
5	0822-029		1	Spacer	19	0822-028		1	Gear, Drive
6	0822-128	X	1	Driveshaft	20	0822-023		1	Shaft, Output
7	0822-129	X	1	Countershaft Assembly (inc. 8-18)	21	3304-198		1	Bearing
8	0822-033		1	● Gear Select, Reverse	22	3303-395		2	Pin, Dowel
9	3304-147		4	● Circlip	23	0830-156		1	Gasket, Housing
10	3304-045		3	● Washer	24	0822-105		1	Housing, Speedometer Sensor
11	0832-038		3	● Bearing	25	3303-382		1	Screw, Cap
12	0822-062		3	● Bushing	26	3313-172		1	Sensor, Speedometer
13	0822-032		1	● Gear, Reverse Driven	27	0830-155		2	Gasket
14	0822-063		1	● Gear, Driven - Low	28	3303-387		2	Screw, Cap



GEAR SHIFTING ASSEMBLY

0745-176

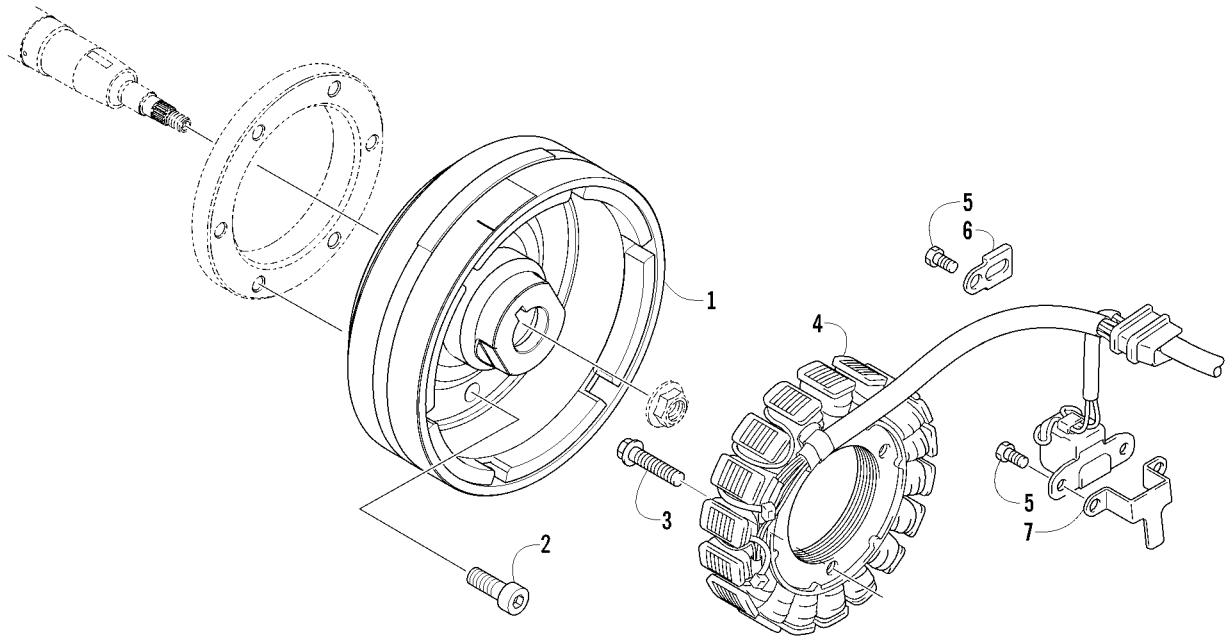
Ref	Part No.	New	Qty	Description	Ref	Part No.	New	Qty	Description
1	0818-115	X	1	Shaft, Gear Shift - Assembly (inc. 2-8 and two No. 9)	15	0818-113		1	Shaft, Sub-Gear Shift (inc. 16)
2	0818-044		1	● Shaft, Gear Shift	16	3301-875		2	● Circlip
3	3304-439		1	● Pin, Dowel	17	0830-179		1	Seal
4	3304-147		4	● Circlip	18	0409-125	X	1	Switch, Gear Position
5	0818-060		2	● Spring	19	0818-014		1	Arm, Select
6	0818-117	X	1	● Cam, Reverse	20	8468-620		1	Screw, Machine
7	0831-016		1	● C-Ring	21	0828-083		1	Washer
8	0818-116	X	1	● Cam, Gear Shift	22	0818-084		1	Stopper, Cam
9	0828-079		3	● Washer	23	0818-062		1	Support, Cam Stopper
10	0828-081		1	Washer, Thrust	24	0818-109	X	1	Spring
11	0828-080		1	Washer, Thrust	25	0828-082		1	Washer
12	0818-061		1	Plate, Gear Shift Cam	26	3303-331		1	Nut
13	3304-569		1	Screw, Cap	27	0818-021		1	Shaft, Shift Fork
14	0828-084		2	Washer	28	0818-088		2	Fork, Shift



SECONDARY DRIVE ASSEMBLY

0745-175

Ref	Part No.	New	Qty	Description	Ref	Part No.	New	Qty	Description
1	0819-063		1	Yoke, Propeller Shaft Joint	16	0819-021		1	Shaft, Secondary Driven
2	1402-164		1	Joint, Universal - Set (inc. 3)	17	0832-041		1	Bearing
3	0423-450		4	● Clip, Retaining	18	0819-022		1	Flange, Output Joint
4	0817-001		2	Nut	19	0827-047		1	Nut
5	3304-958		2	Washer	20	3304-042		1	Washer, Thrust
6	0819-071	X	1	Yoke, Drive Output	21	0819-018		1	Gear, Secondary Drive
7	0830-144		2	Seal, Oil	22	3306-009	X	AR	Shim, 30 x 48 x 0.60 mm
8	0832-026		1	Bearing		3306-010	X	AR	Shim, 30 x 48 x 0.65 mm
9	0819-020		1	Shaft, Secondary Driven		3306-011	X	AR	Shim, 30 x 48 x 0.70 mm
10	0827-022		1	Nut		3306-012	X	AR	Shim, 30 x 48 x 0.75 mm
11	0828-090		1	Washer		3306-013	X	AR	Shim, 30 x 48 x 0.80 mm
12	0819-019		1	Gear, Secondary Driven		3306-014	X	AR	Shim, 30 x 48 x 0.85 mm
13	0832-040		1	Bearing		3306-015	X	AR	Shim, 30 x 48 x 0.90 mm
14	0819-070		1	C-Ring		3306-016	X	AR	Shim, 30 x 48 x 0.95 mm
15	3305-955	X	AR	Shim, 25 x 34 x 0.60 mm		3306-017	X	AR	Shim, 30 x 48 x 1.00 mm
	3305-956	X	AR	Shim, 25 x 34 x 0.65 mm		3306-018	X	AR	Shim, 30 x 48 x 1.05 mm
	3305-957	X	AR	Shim, 25 x 34 x 0.70 mm		3306-019	X	AR	Shim, 30 x 48 x 1.10 mm
	3305-958	X	AR	Shim, 25 x 34 x 0.75 mm		3306-020	X	AR	Shim, 30 x 48 x 1.15 mm
	3305-959	X	AR	Shim, 25 x 34 x 0.80 mm		3306-021	X	AR	Shim, 30 x 48 x 1.20 mm
	3305-960	X	AR	Shim, 25 x 34 x 0.85 mm		3306-022	X	AR	Shim, 30 x 48 x 1.25 mm
	3305-961	X	AR	Shim, 25 x 34 x 0.90 mm					
	3305-962	X	AR	Shim, 25 x 34 x 0.95 mm					
	3305-963	X	AR	Shim, 25 x 34 x 1.00 mm					
	3305-964	X	AR	Shim, 25 x 34 x 1.05 mm					
	3305-965	X	AR	Shim, 25 x 34 x 1.10 mm					
	0828-088		AR	Shim, 25 x 34 x 1.15 mm					
	3305-966	X	AR	Shim, 25 x 34 x 1.20 mm					
	3305-967	X	AR	Shim, 25 x 34 x 1.25 mm					



MAGNETO ASSEMBLY

0745-201

Ref	Part No.	New	Qty	Description	Ref	Part No.	New	Qty	Description
1	0802-057	X	1	Rotor/Flywheel	5	3303-308		3	Screw, Cap
2	0826-120		6	Screw, Cap	6	0802-003		1	Clamp, Routing
3	3305-945	X	3	Screw, Cap	7	0802-004		1	Clamp, Routing
4	0802-056	X	1	Stator Assembly					

