

2008

DVX 90



ILLUSTRATED PARTS MANUAL



MODEL NUMBER A2008KSB2BUSD (BLACK-RED)

MODEL NUMBER A2008KSB2BUSE (BLACK-CAT GREEN)

ARCTIC CAT[®]
MORE TO GO ON.[™]

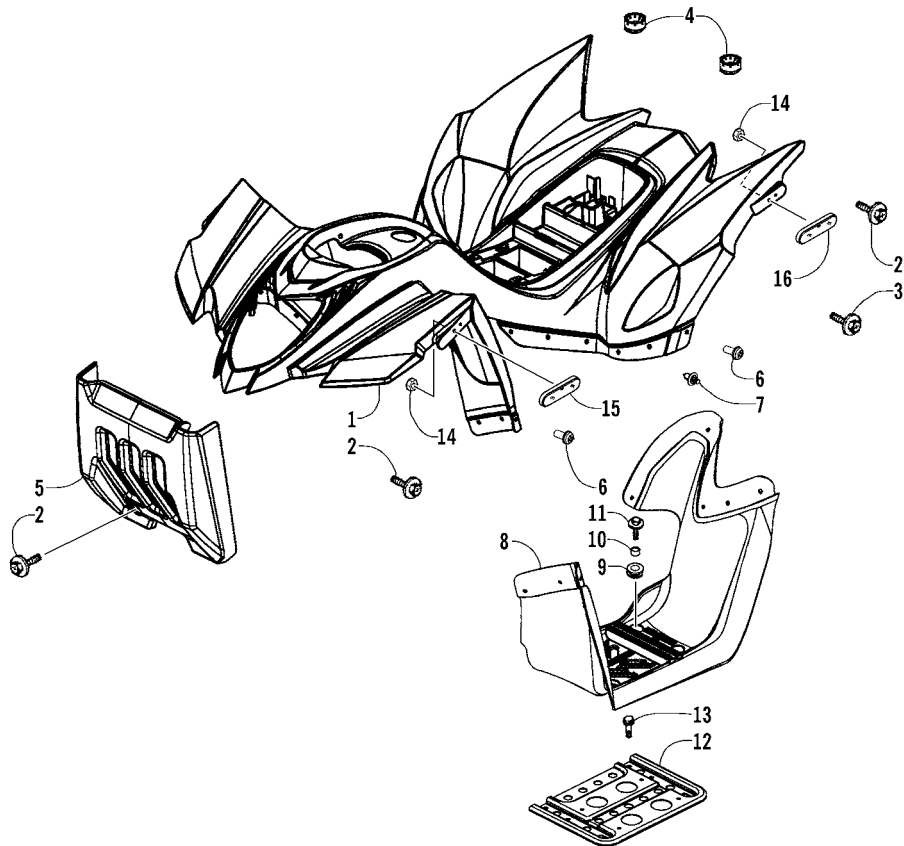
TABLE OF CONTENTS

2008 ATV DVX 90

Black-Red (Model No. A2008KSB2BUSD)
Black-Cat Green (Model No. A2008KSB2BUSE)

BODY PANEL ASSEMBLY	1
DECALS	2
FRAME AND RELATED PARTS ASSEMBLY	3
KICK STARTER ASSEMBLY	4
HANDLEBAR AND CONTROL ASSEMBLY	5
THROTTLE CONTROL ASSEMBLY	6
HYDRAULIC HAND BRAKE ASSEMBLY	7
STEERING POST ASSEMBLY	8
FRONT WHEEL AND BRAKE ASSEMBLIES	9
REAR WHEEL AND BRAKE ASSEMBLIES	10
REAR AXLE ASSEMBLY	11
FRONT SUSPENSION ASSEMBLY	12
REAR SUSPENSION ASSEMBLY	13
ELECTRICAL AND WIRING HARNESS ASSEMBLY	14
BATTERY ASSEMBLY	15
SEAT AND TOOL KIT ASSEMBLY	16
GAS TANK ASSEMBLY	17
HEADLIGHT ASSEMBLY	18
TAILLIGHT ASSEMBLY	19
AIR INTAKE ASSEMBLY	20
EXHAUST ASSEMBLY	21
CARBURETOR ASSEMBLY	22
PISTON ASSEMBLY	23
CYLINDER HEAD ASSEMBLY	24
CRANKCASE COVER ASSEMBLY	25
CRANKCASE ASSEMBLY	26
CLUTCH ASSEMBLIES	27
TRANSMISSION ASSEMBLY	28
STARTER MOTOR AND OIL PUMP ASSEMBLIES	29
STATOR, FLYWHEEL, AND ENGINE SHROUD ASSEMBLIES	30

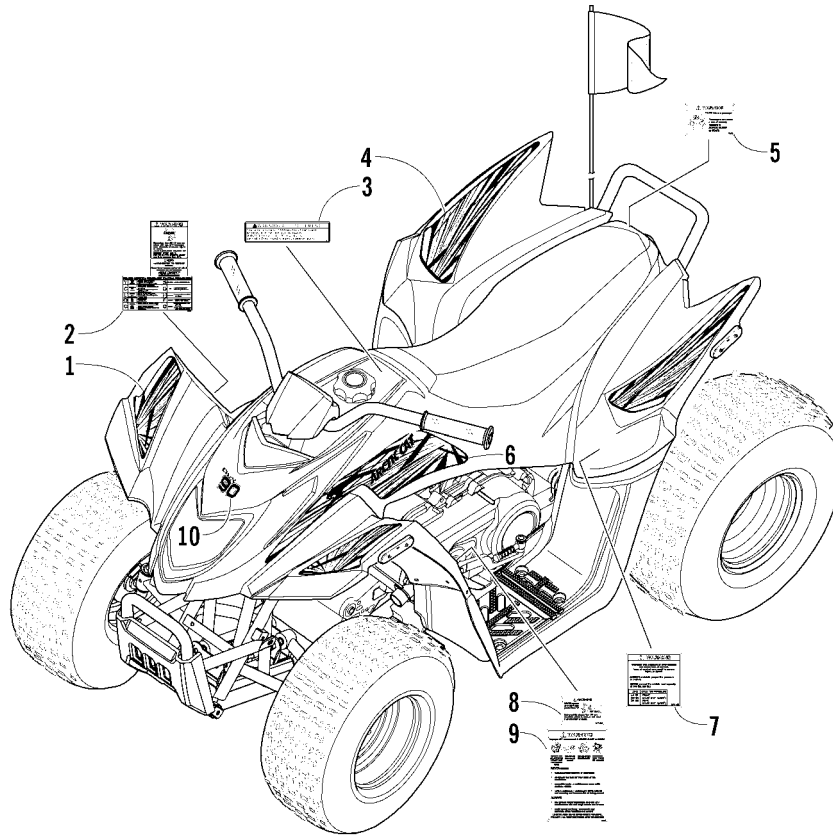
■ **NOTE:** The illustrations used in this Parts Manual are for reference to replacement part numbers only and are not to be used for assembly. For assembly procedures, use an Arctic Cat Service Manual. Underlined part numbers are new for the 2008 model year. For a complete list of related items, refer to the current accessory catalog.



BODY PANEL ASSEMBLY

0742-679

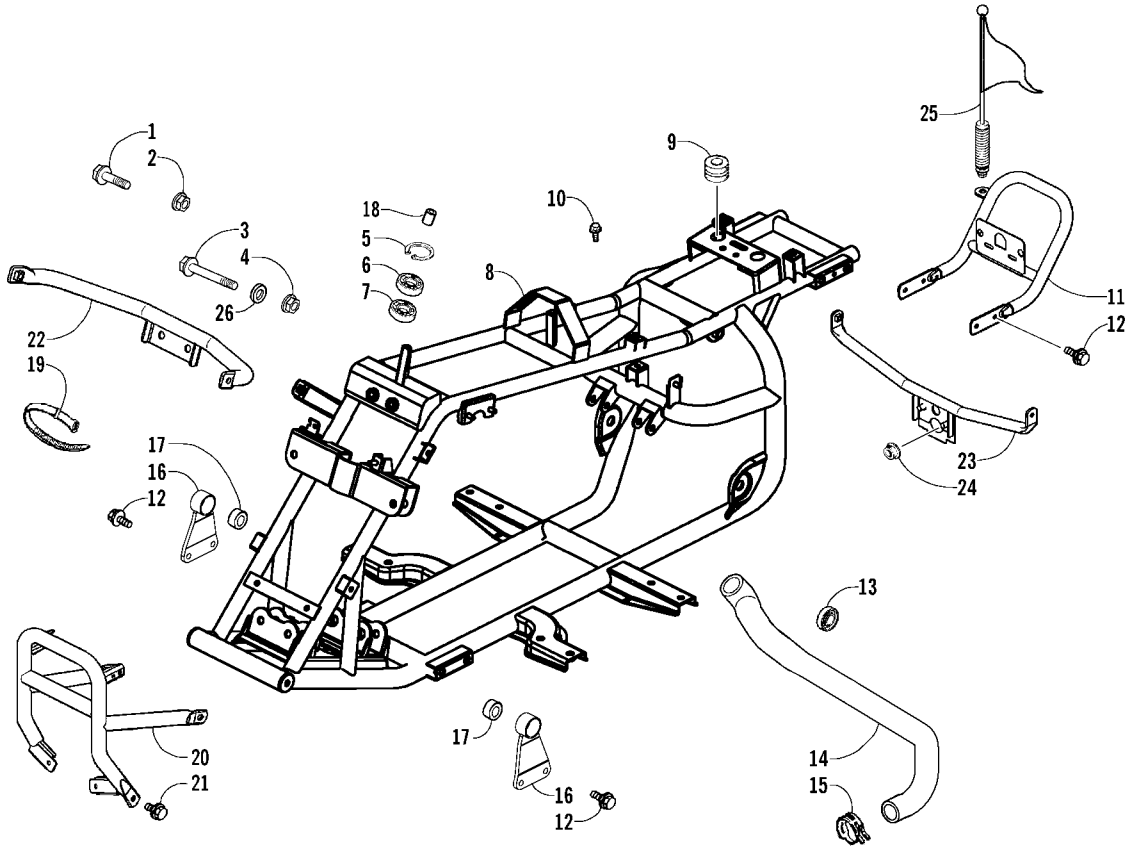
Ref.	Part No.	Qty.	Description	Ref.	Part No.	Qty.	Description
1	<u>3305-508</u>	1	Panel, Body - Main - Black	9	3303-227	8	● Rubber, Wind Screen
2	3303-311	8	Bolt w/Washer	10	3303-233	8	● Collar, Floor
3	3304-586	4	Bolt w/Washer	11	3304-586	8	Bolt w/Washer
4	3303-232	2	Grommet, Rubber	12	3304-494	2	Reinforcement, Floor
5	3303-575	1	Cover, Front Bumper	13	3304-543	8	Bolt, Flange
6	3303-251	4	Screw	14	<u>3305-527</u>	4	Nut
7	<u>3305-448</u>	14	Clip, Mudguard	15	<u>3313-359</u>	2	Reflector - Front - Amber
8	3304-612	1	Mudguard, Right - Assembly (inc. 10-11)	16	<u>3313-360</u>	2	Reflector - Rear - Red
	3304-613	1	Mudguard, Left - Assembly (inc. 10-11)				



DECALS

0742-676

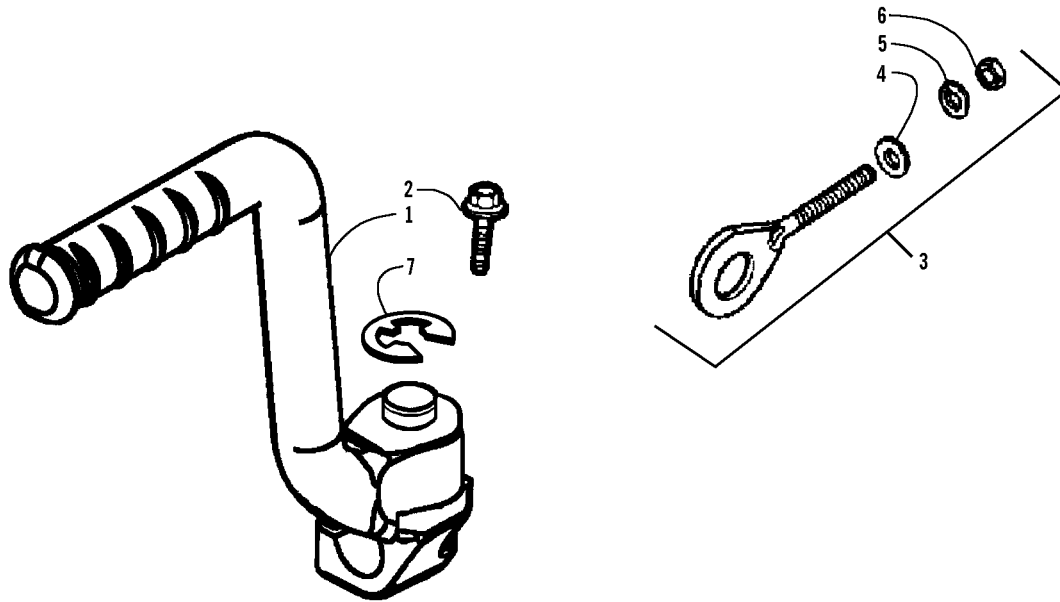
Ref.	Part No.	Qty.	Description	Ref.	Part No.	Qty.	Description	
1	<u>1411-778</u>	1	Decal, Graphic - Front Fender - Right	5	0411-435	1	Decal, Warning - Passenger	
	<u>1411-779</u>	1	Decal, Graphic - Front Fender - Left		6	<u>1411-776</u>	1	Decal, Graphic - Side - Right
	<u>1411-780</u>	1	Decal, Graphic - Front Fender - Right (Black-Cat Green)			<u>1411-777</u>	1	Decal, Graphic - Side - Left
	<u>1411-781</u>	1	Decal, Graphic - Front Fender - Left (Black-Cat Green)			<u>1411-774</u>	1	Decal, Graphic - Side - Right (Black-Cat Green)
2	1411-230	1	Decal, Warning - Reverse/Pre-Ride	<u>1411-775</u>		1	Decal, Graphic - Side - Left (Black-Cat Green)	
	3	1411-574	1	Decal, Warning - Not for Highways	7	0411-455	1	Decal, Warning - Tire/Load
4		<u>1411-782</u>	1	Decal, Graphic - Rear Fender - Right		8	0411-836	1
	<u>1411-783</u>	1	Decal, Graphic - Rear Fender - Left	9	0411-218	1	Decal, Warning - General	
	<u>1411-784</u>	1	Decal, Graphic - Rear Fender - Right (Black-Cat Green)		10	<u>1411-787</u>	1	Decal, Graphic - Front
	<u>1411-785</u>	1	Decal, Graphic - Rear Fender - Left (Black-Cat Green)					



FRAME AND RELATED PARTS ASSEMBLY

0742-677

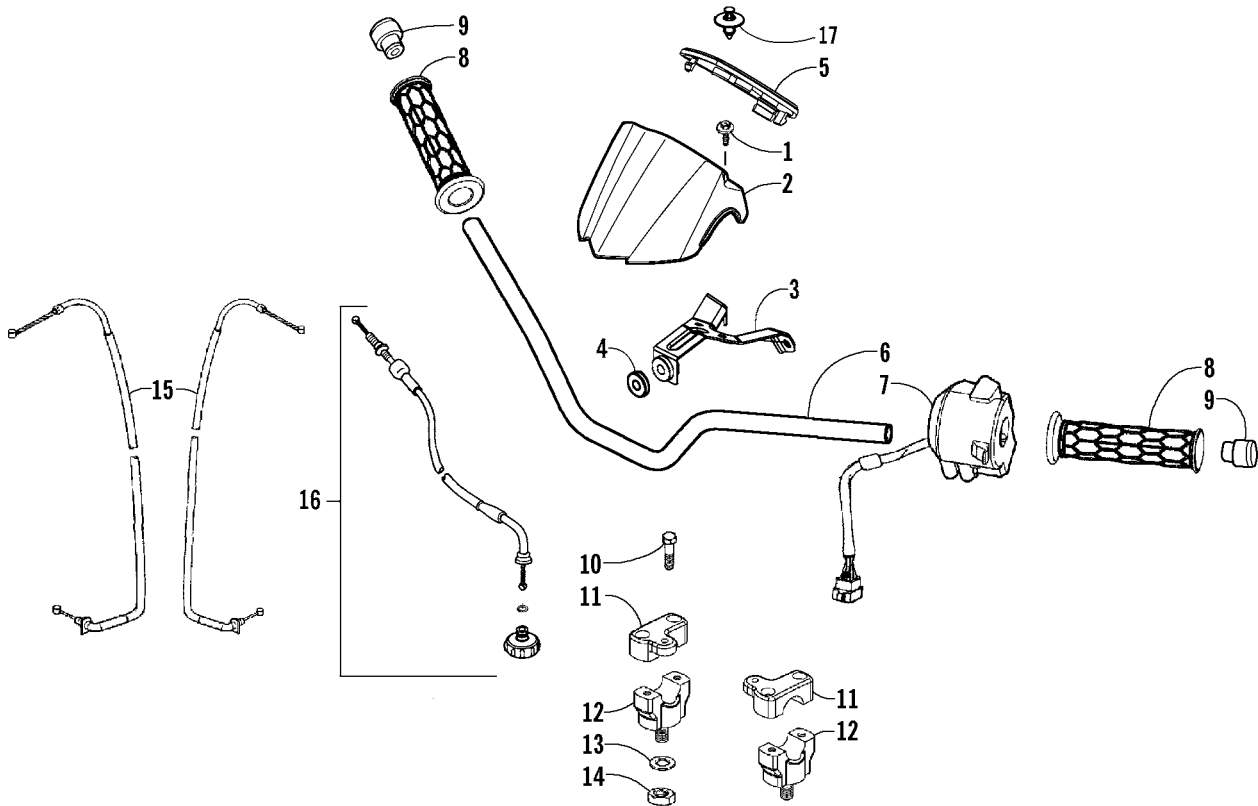
Ref.	Part No.	Qty.	Description	Ref.	Part No.	Qty.	Description
1	3305-513	2	Bolt, Flange	16	3303-183	1	Bracket, Engine Hanger - Right (inc. one No. 17)
2	3303-269	2	Nut, Flange		3303-184	1	Bracket, Engine Hanger - Left (inc. one No. 17)
3	3304-548	2	Bolt, Flange	17	3304-542	2	● Bushing, Rubber - Engine Hanger Bracket
4	3303-265	2	Nut, Flange	18	3303-445	1	Collar
5	3303-347	1	Circlip	19	3303-289	1	Cable Tie
6	3303-295	1	Seal, Oil	20	3303-442	1	Bumper, Front
7	3303-298	1	Seal, Oil	21	3304-544	8	Bolt, Flange
8	3305-510	1	Body Frame, Complete	22	3305-511	1	Bracket, Mounting - Front Cover
9	3303-239	2	Rubber, Taillight	23	3305-514	1	Bracket, Mounting - Rear Fender
10	3303-308	1	Bolt, Hex	24	3304-668	2	Nut, Flange
11	3305-512	1	Grip, Rear - Assembly	25	3305-308	1	Flag Assembly
12	3304-543	8	Bolt, Flange	26	3303-238	2	Rubber, Engine - Rear
13	3303-392	1	Bearing				
14	3303-010	1	Hose, Duct				
15	3303-074	1	Clamp, Hose				



KICK STARTER ASSEMBLY

0741-220

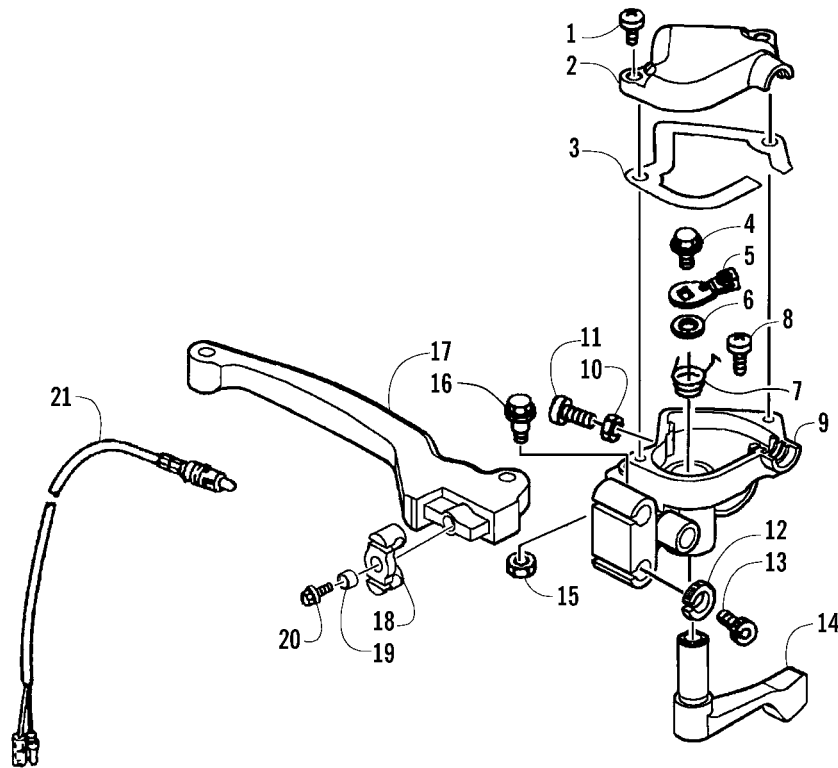
Ref.	Part No.	Qty.	Description	Ref.	Part No.	Qty.	Description
1	3303-123	1	Arm, Kick Starter - Assembly	5	3303-607	1	● Washer
2	3304-551	1	Bolt, Flange	6	3304-125	1	● Nut
3	3303-147	1	Adjuster, Drive Train - Assembly (inc. 4-6)	7	3305-247	1	E-Clip
4	3304-135	1	● Washer				



HANDLEBAR AND CONTROL ASSEMBLY

0740-619

Ref.	Part No.	Qty.	Description	Ref.	Part No.	Qty.	Description
1	3304-553	2	Bolt w/Washer	10	3303-398	4	Bolt
2	3303-436	1	Cover, Handlebar	11	3303-197	1	Holder, Handlebar - Upper - Right
3	3303-435	1	Bracket, Handlebar Cover (inc. 4)		3303-198	1	Holder, Handlebar - Upper - Left
4	3303-239	1	● Grommet	12	3303-199	2	Holder, Handlebar - Lower
5	3305-515	1	Lid, Handlebar Cover	13	3304-136	2	Washer
6	3303-434	1	Handlebar	14	3305-517	2	Nut, Hex
7	3305-516	1	Switch, Handlebar - Assembly	15	3303-173	2	Cable, Brake - Front
8	3303-203	2	Grip, Handlebar	16	1502-096	1	Cable, Throttle - Kit
9	3303-196	2	End Cap, Handlebar	17	3303-592	2	Clip

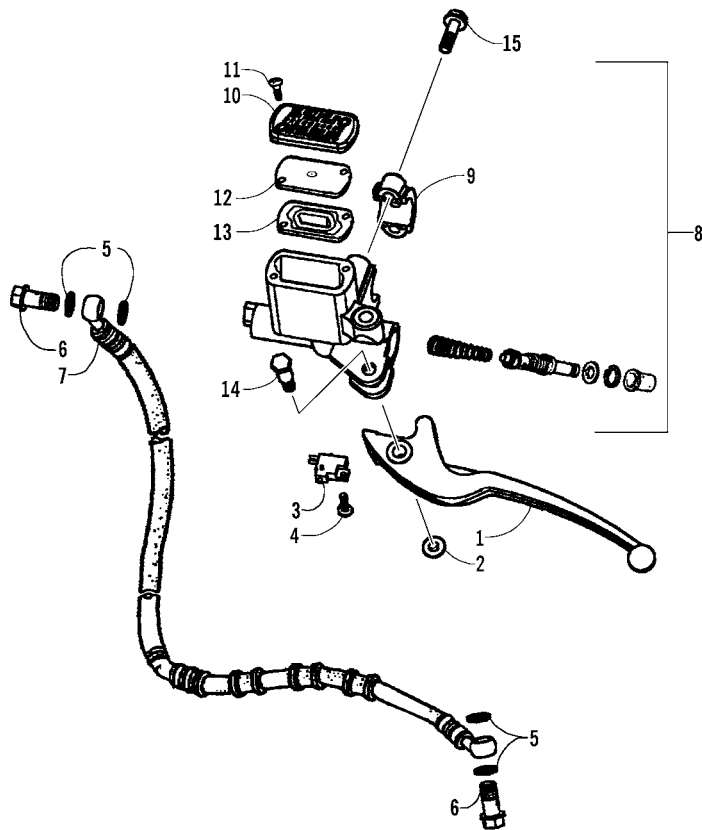


THROTTLE CONTROL ASSEMBLY

(Complete Throttle Control Assembly p/n 3303-447)

0741-222

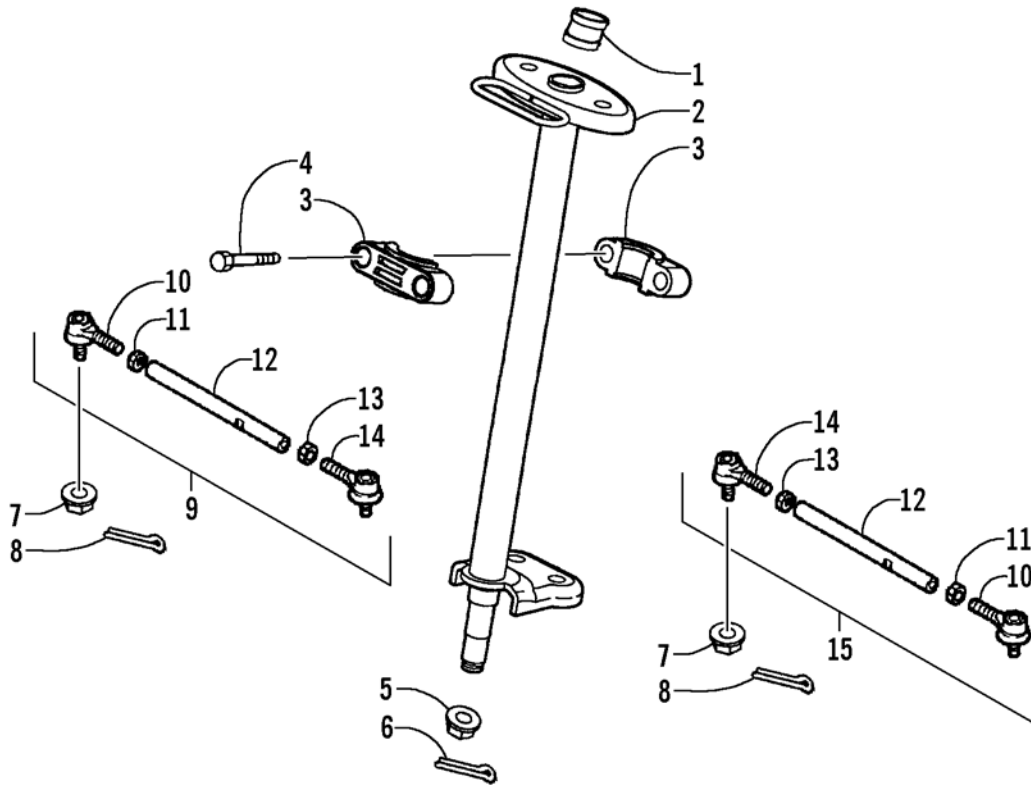
Ref.	Part No.	Qty.	Description	Ref.	Part No.	Qty.	Description
1	3303-315	2	Bolt, Flange	12	3303-271	2	Nut, Lock
2	3303-207	1	Cover, Throttle Control	13	3303-208	2	Bolt, Wire Adjustment
3	3303-209	1	Gasket, Throttle Control Cover	14	3303-200	1	Lever, Throttle
4	3304-554	1	Screw	15	3303-262	1	Nut
5	3304-555	1	Cover, Parking Brake	16	3303-255	1	Bolt, Handle Cover Pivot
6	3304-556	1	Button, Parking Brake	17	3305-083	1	Lever, Brake
7	3304-557	1	Stopper, Parking Brake	18	3303-201	1	Equalizer, Brake Cable
8	3303-397	1	Bolt, Socket	19	3303-202	1	Spacer
9	3303-204	1	Case, Throttle Control	20	3303-358	1	Bolt, Flange
10	3303-324	1	Nut, Hex	21	3303-140	1	Switch, Brake
11	3304-558	1	Screw				



HYDRAULIC HAND BRAKE ASSEMBLY

0741-258

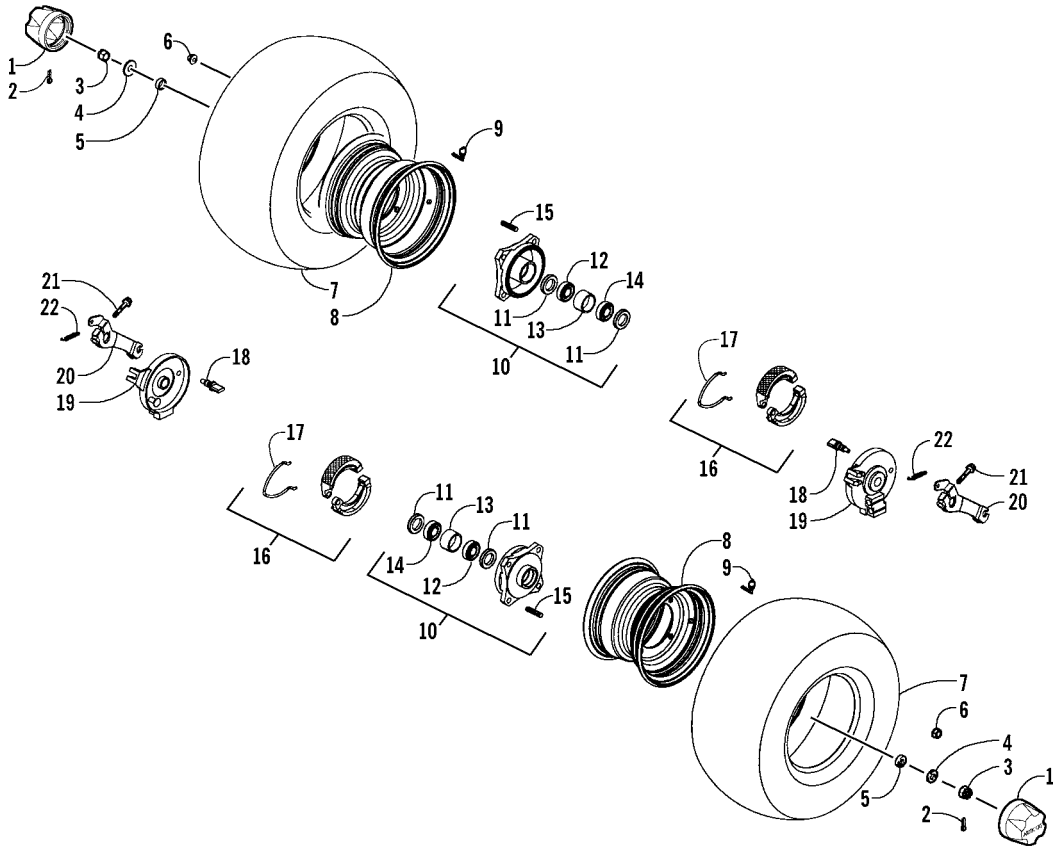
Ref.	Part No.	Qty.	Description	Ref.	Part No.	Qty.	Description
1	3303-206	1	Lever	9	3303-175	1	● Clamp, Master Cylinder
2	3304-654	1	Nut, Flange	10	3303-174	1	● Cap, Master Cylinder
3	3303-141	1	Switch Assembly	11	3303-318	2	● Screw, Flat-Head
4	<u>3305-463</u>	1	Screw w/Washer	12	3305-250	1	● Plate, Diaphragm
5	3303-284	4	Washer, Crush	13	<u>3305-309</u>	1	● Diaphragm
6	3303-257	2	Bolt, Banjo-Fitting	14	3303-254	1	● Bolt, Lever
7	3305-278	1	Hose, Brake - Assembly	15	3305-297	2	Bolt, Flange
8	<u>3305-484</u>	1	Brake, Master Cylinder - Assembly (inc. 9-14)				



STEERING POST ASSEMBLY

0740-505

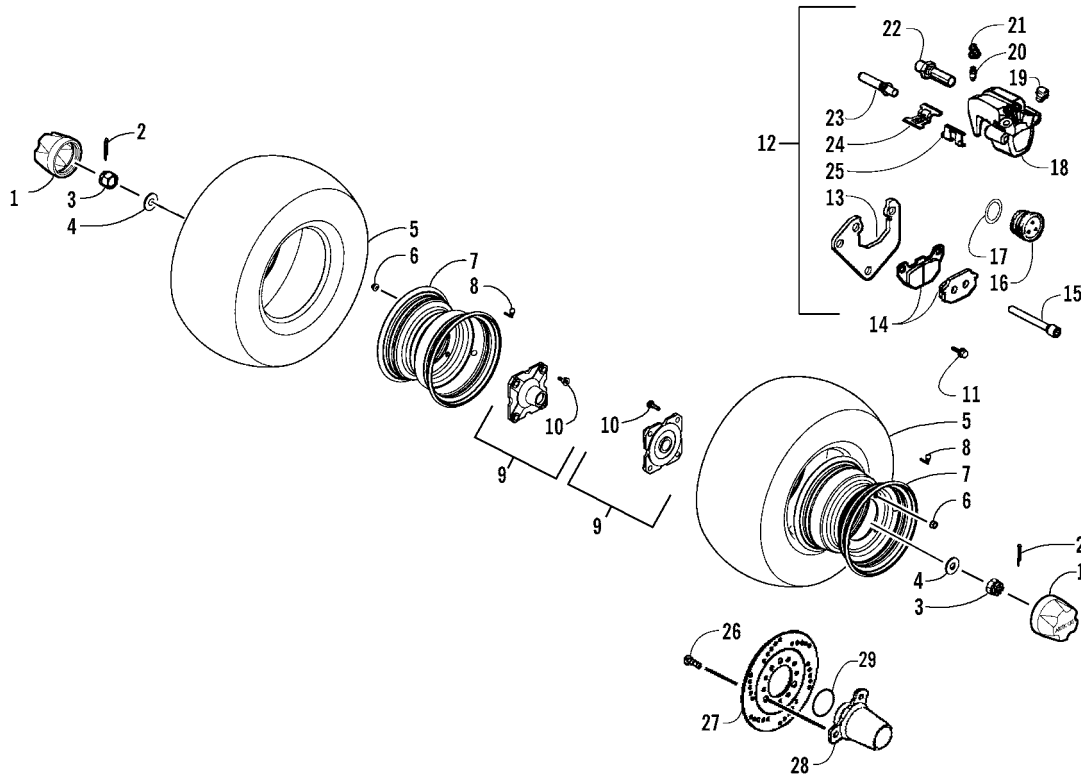
Ref.	Part No.	Qty.	Description	Ref.	Part No.	Qty.	Description
1	3303-214	1	Sleeve, Steering Post	10	3305-281	2	● Ball Joint, Tie Rod - Right
2	3303-573	1	Post, Steering	11	3303-326	2	● Nut, Hex
3	3303-213	2	Holder, Steering Post	12	3305-282	2	● Tie Rod
4	3304-559	2	Bolt, Flange	13	3303-327	2	● Nut, Hex
5	3304-032	1	Nut	14	3305-283	2	● Ball Joint, Tie Rod - Left
6	3303-470	1	Pin, Cotter	15	3305-284	1	Tie Rod Assembly - Left (inc. one No. 10-14)
7	3303-266	4	Nut, Flange				
8	3303-621	4	Pin, Cotter				
9	3305-280	1	Tie Rod Assembly - Right (inc. one No. 10-14)				



FRONT WHEEL AND BRAKE ASSEMBLIES

0741-229

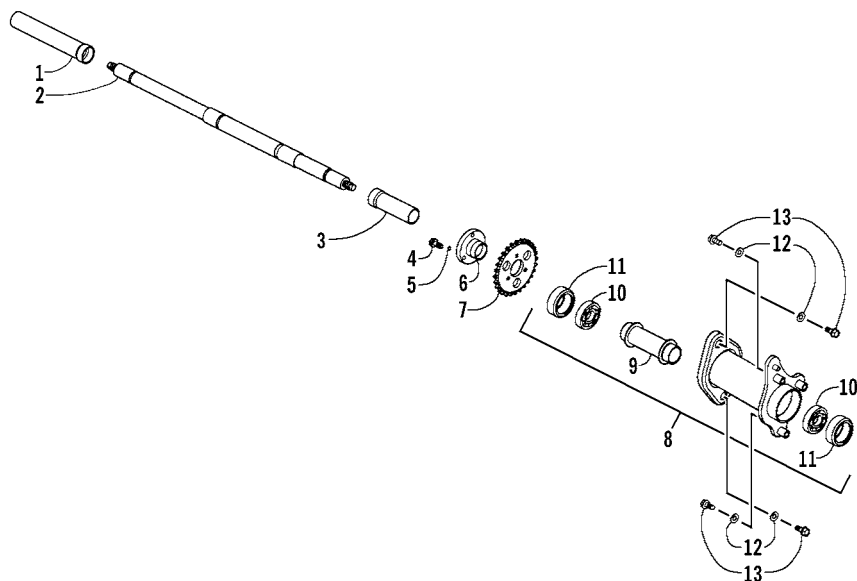
Ref.	Part No.	Qty.	Description	Ref.	Part No.	Qty.	Description
1	3303-430	2	Cap, Wheel Shaft	13	3303-445	2	● Collar, Front Disc
2	3303-470	2	Pin, Cotter	14	3303-467	2	● Bearing, Ball - Radial
3	3303-328	2	Nut, Flange Castle	15	3303-463	8	● Bolt, Stud
4	3303-279	2	Washer	16	3303-169	2	Shoe, Front - Assembly (inc. 17)
5	3303-164	2	Collar, Wheel - Front	17	3304-563	2	● Spring, Brake Shoe
6	3303-266	8	Nut, Flange	18	3303-170	2	Cam, Front Brake
7	3303-429	2	Tire - Assembly	19	3303-168	1	Panel - Front - Right
8	3303-166	2	Wheel - Assembly (inc. 9)		3303-176	1	Panel - Front - Left
9	3304-562	2	● Stem, Valve w/Cap	20	3303-171	1	Arm, Brake - Right
10	3303-165	2	Hub, Front - Assembly (inc. 11-15)		3303-177	1	Arm, Brake - Left
11	3303-456	4	● Seal, Dust	21	3303-355	2	Bolt, Flange
12	3303-468	2	● Bearing, Ball - Radial	22	3303-172	2	Spring, Return



REAR WHEEL AND BRAKE ASSEMBLIES

0741-225 *Not a Service Part

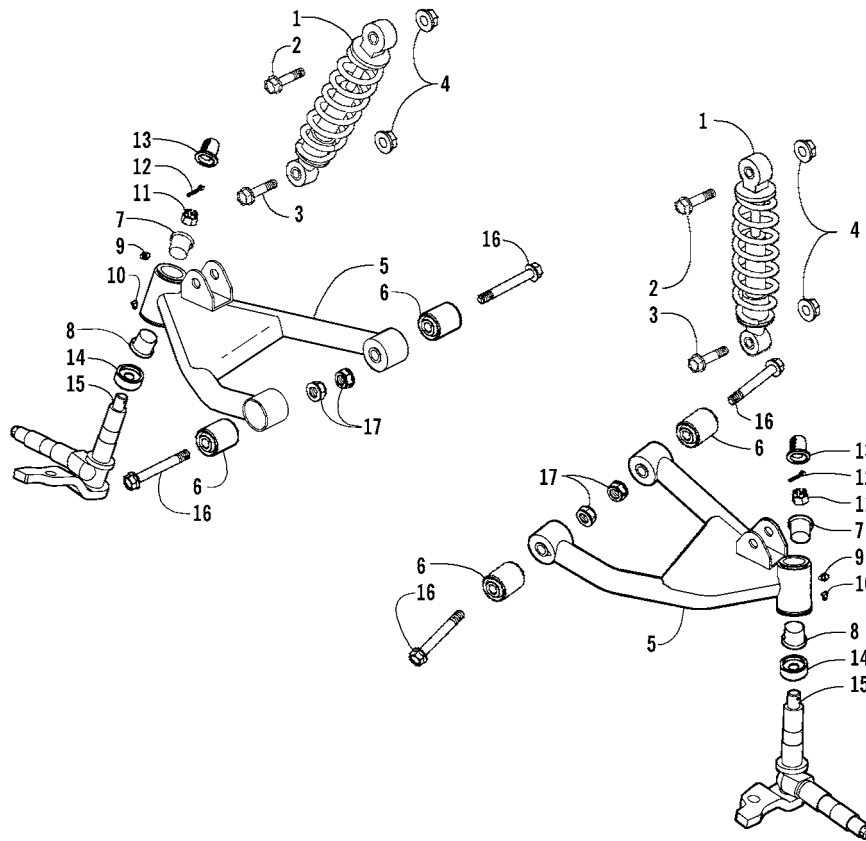
Ref.	Part No.	Qty.	Description	Ref.	Part No.	Qty.	Description
1	3303-430	2	Cap, Wheel Shaft	16	3304-592	1	● Piston
2	3303-340	2	Pin, Cotter	17	3304-327	1	● Seal, Piston
3	3303-330	2	Nut, Flange Castle	18	*	1	● Housing, Caliper - Assembly
4	3305-285	2	Washer	19	3304-333	1	● Plug
5	3303-428	2	Tire - Rear	20	3304-302	1	● Valve, Bleed
6	3303-266	8	Nut, Flange	21	3304-303	1	● Cap, Bleed Valve
7	3303-156	2	Wheel - Assembly (inc. 8)	22	3304-589	1	● Bushing, Pin Bolt
8	3304-562	2	● Stem, Valve w/Cap	23	3304-590	1	● Boot B
9	3303-157	2	Connector - Assembly (inc. 10)	24	3304-591	1	● Spring, Brake Pad
10	3303-250	8	● Bolt, Connector	25	3304-316	1	● Seal, Dust
11	3303-256	2	Bolt, Flange	26	3305-143	3	Bolt, Disc
12	3305-449	1	Caliper, Rear - Assembly (inc. 13-25)	27	3303-162	1	Disc, Brake - Rear
13	3305-286	1	● Bracket	28	3305-249	1	Collar, Hub - Rear
14	3305-139	1	● Pad, Brake - Assembly	29	3305-298	1	O-Ring
15	3304-566	2	● Pin, Bolt				



REAR AXLE ASSEMBLY

0741-223

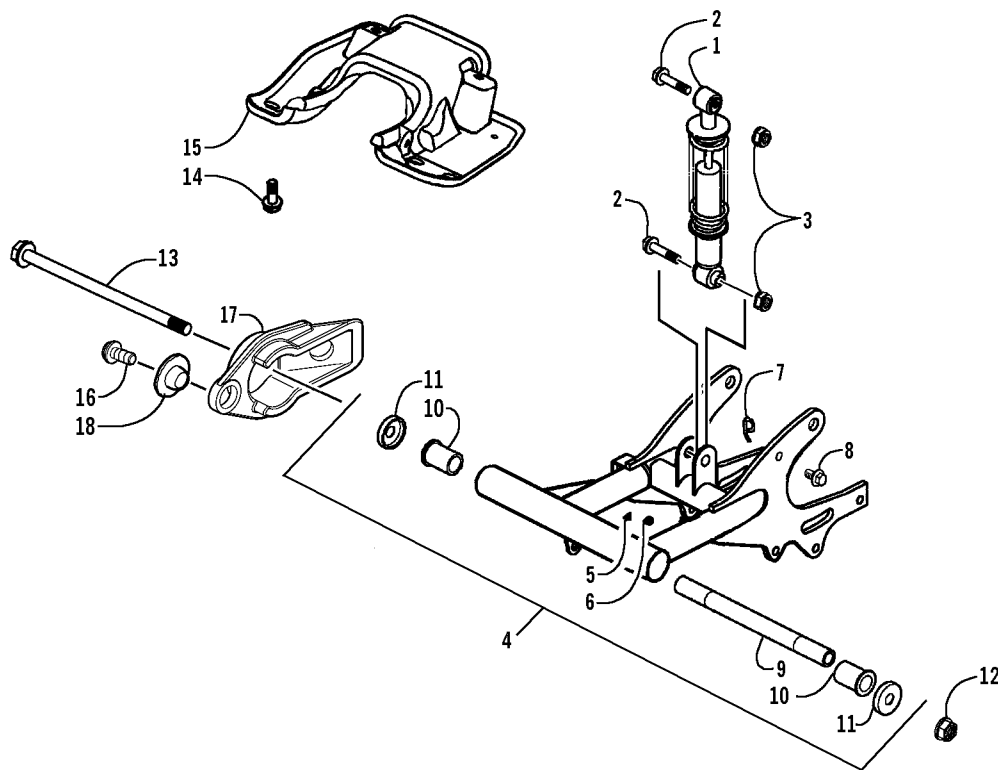
Ref.	Part No.	Qty.	Description	Ref.	Part No.	Qty.	Description
1	3303-152	1	Spacer, Rear Wheel - Right	8	3303-154	1	Hub, Rear - Assembly (inc. 9-11)
2	3305-287	1	Shaft, Rear Wheel	9	3303-427	1	● Collar, Hub - Right
3	3303-153	1	Spacer, Rear Wheel - Left	10	3303-466	2	● Bearing
4	3304-565	3	Bolt, Flange	11	3303-461	2	● Seal, Dust
5	3303-607	3	Washer, Spring	12	3303-281	4	Washer
6	3305-289	1	Holder, Sprocket	13	3303-379	4	Bolt, Flange
7	3303-426	1	Sprocket, Final Drive				



FRONT SUSPENSION ASSEMBLY

0742-681

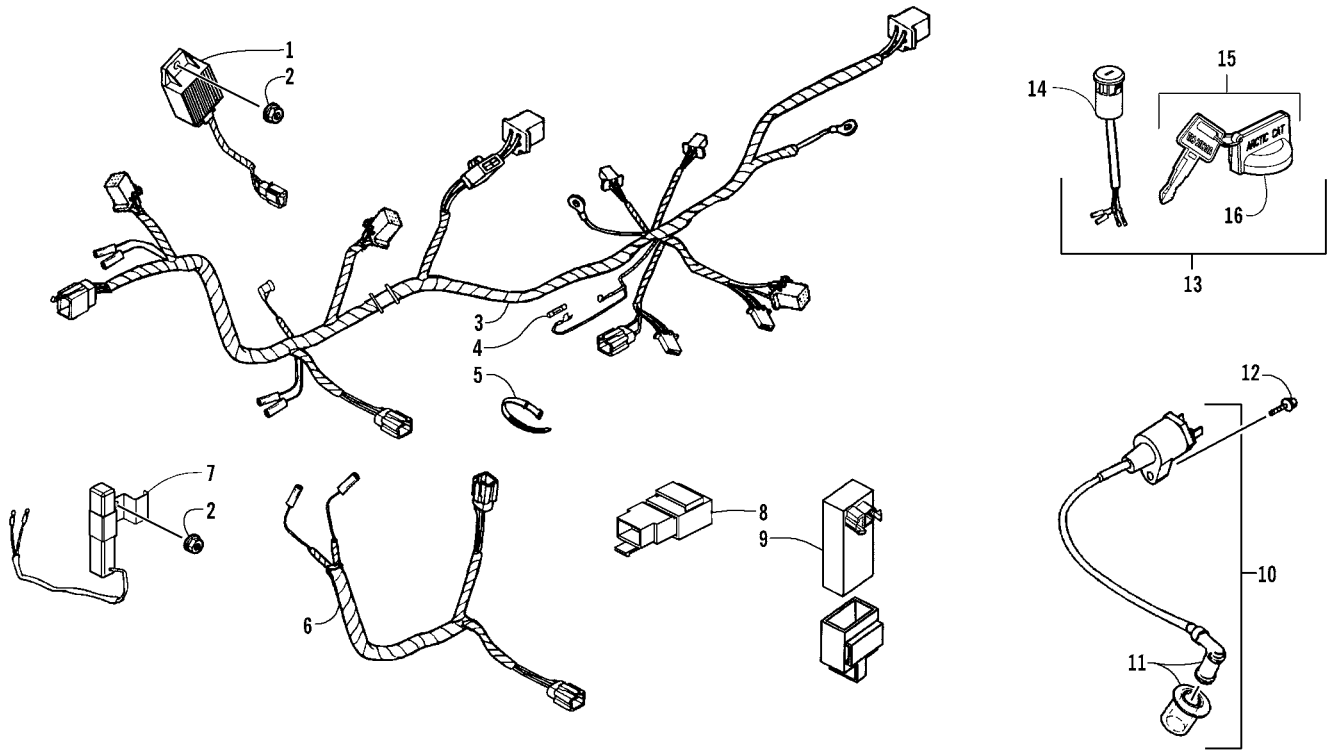
Ref.	Part No.	Qty.	Description	Ref.	Part No.	Qty.	Description
1	<u>3305-491</u>	2	Shock, Front - Assembly	10	3303-394	2	● Boot, Grease Fitting
2	3303-376	2	Bolt, Flange	11	3303-329	2	Nut, Flange Castle
3	3303-309	2	Bolt, Hex	12	3303-337	2	Pin, Cotter
4	3303-333	4	Nut, Flange	13	3303-219	2	Cap, Swing Arm
5	<u>3305-452</u>	1	Arm, Swing - Set - Front Right (inc. 6-10)	14	3303-220	2	Seal, Swing Arm
	<u>3305-453</u>	1	Arm, Swing - Set - Front Left (inc. 6-10)	15	3303-178	1	Shaft, Steering - Right
6	3303-216	4	● Bushing, Swing Arm		3303-180	1	Shaft, Steering - Left
7	3303-218	2	● Bushing, Swing Arm - Top	16	3304-595	4	Bolt, Flange
8	3303-217	2	● Bushing, Swing Arm - Bottom	17	3303-265	4	Nut, Flange
9	3303-393	2	● Fitting, Grease				



REAR SUSPENSION ASSEMBLY

0742-234

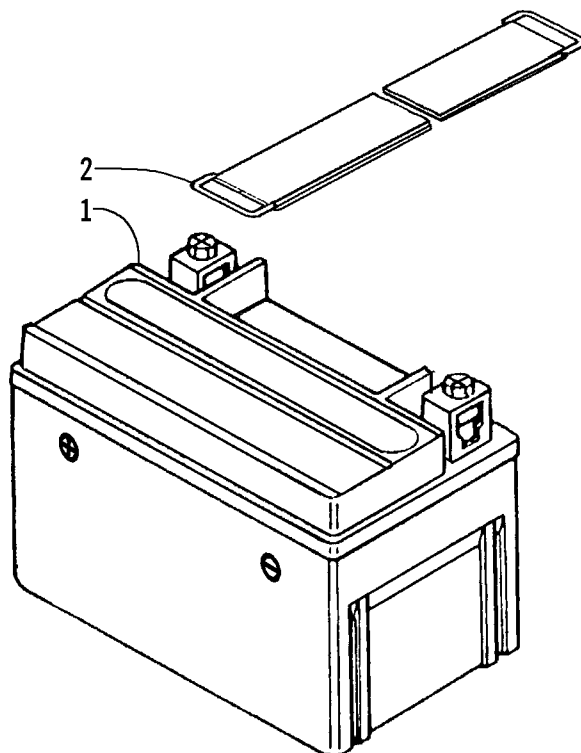
Ref.	Part No.	Qty.	Description	Ref.	Part No.	Qty.	Description
1	3303-433	1	Shock, Rear - Assembly	10	3303-191	2	● Bushing, Rear Fork
2	3303-376	2	Bolt, Flange	11	3303-192	2	● Cap, Rear Fork
3	3303-265	2	Nut, Flange	12	3304-032	1	Nut
4	3305-290	1	Fork, Rear - Assembly (inc. 5-11)	13	3303-150	1	Bolt, Rear Fork
5	3303-394	1	● Boot, Grease Fitting	14	3305-454	4	Bolt, Flange
6	3303-393	1	● Fitting, Grease	15	3304-593	1	Guard, Rear Fork
7	3304-594	1	● Clamp, Brake Hose	16	3304-690	2	Screw, Self-Tapping
8	3305-341	1	● Bolt	17	3305-291	1	Slider, Chain
9	3303-189	1	● Axle, Rear Fork	18	3304-360	2	Collar, Chain Slider



ELECTRICAL AND WIRING HARNESS ASSEMBLY

0742-684 *Not a Service Part

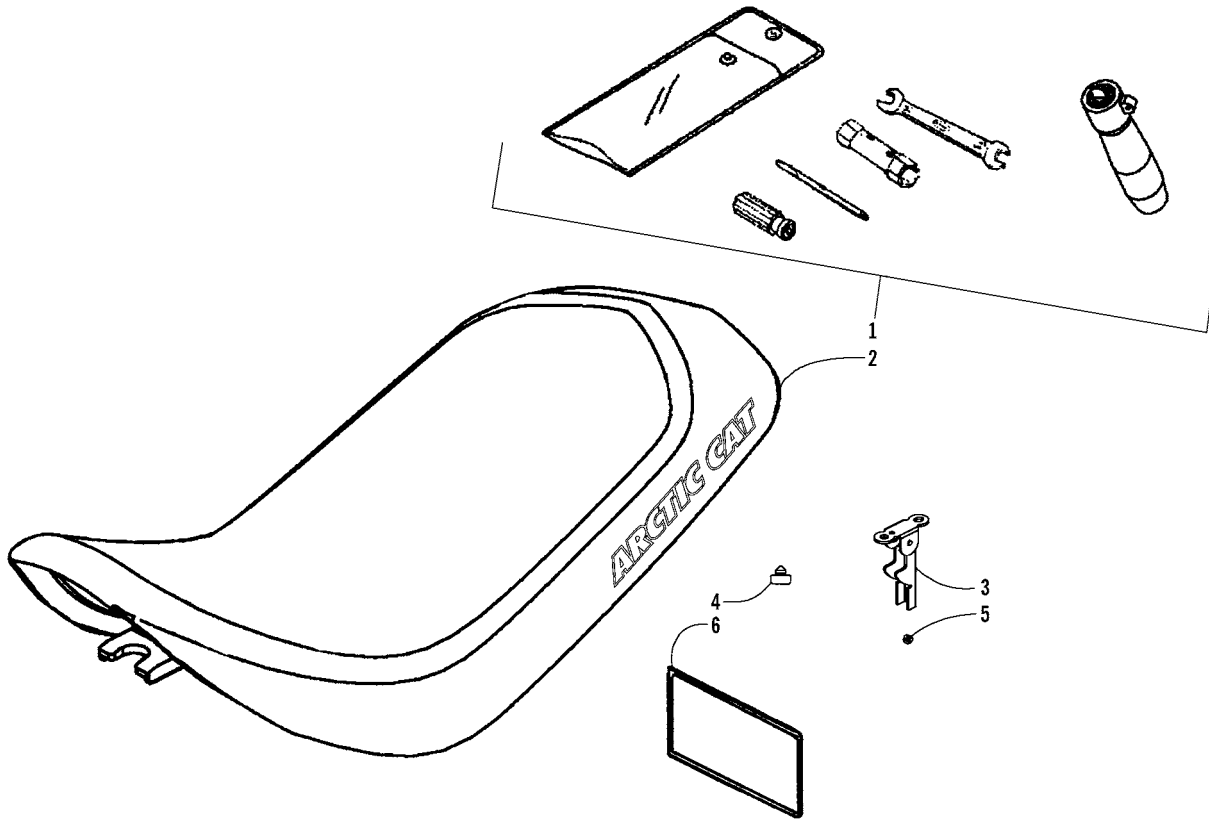
Ref.	Part No.	Qty.	Description	Ref.	Part No.	Qty.	Description
1	3303-132	1	Regulator, Voltage	10	3303-125	1	Coil Assembly - Ignition (inc. 11)
2	3303-331	2	Nut, Flange	11	3303-126	1	● Cap, Noise Suppressor - Assembly
3	<u>3305-518</u>	1	Harness, Main (inc. 4)	12	3303-252	1	Bolt, Flange
4	3303-399	2	● Fuse	13	<u>3305-519</u>	1	Switch, Ignition - Assembly (inc. 14-16)
5	3303-289	4	Cable Tie	14	*	1	● Switch, Ignition
6	3303-134	1	Sub-Cord	15	3304-520	1	● Key, Ignition - Set - Right-Side Cut
7	3303-142	1	Resistor		3304-521	1	● Key, Ignition - Set - Left-Side Cut
8	3303-143	1	Relay, Starter	16	3304-522	1	● Cover, Key - "Arctic Cat"
9	<u>3305-456</u>	1	CDI Assembly				



BATTERY ASSEMBLY

0742-678

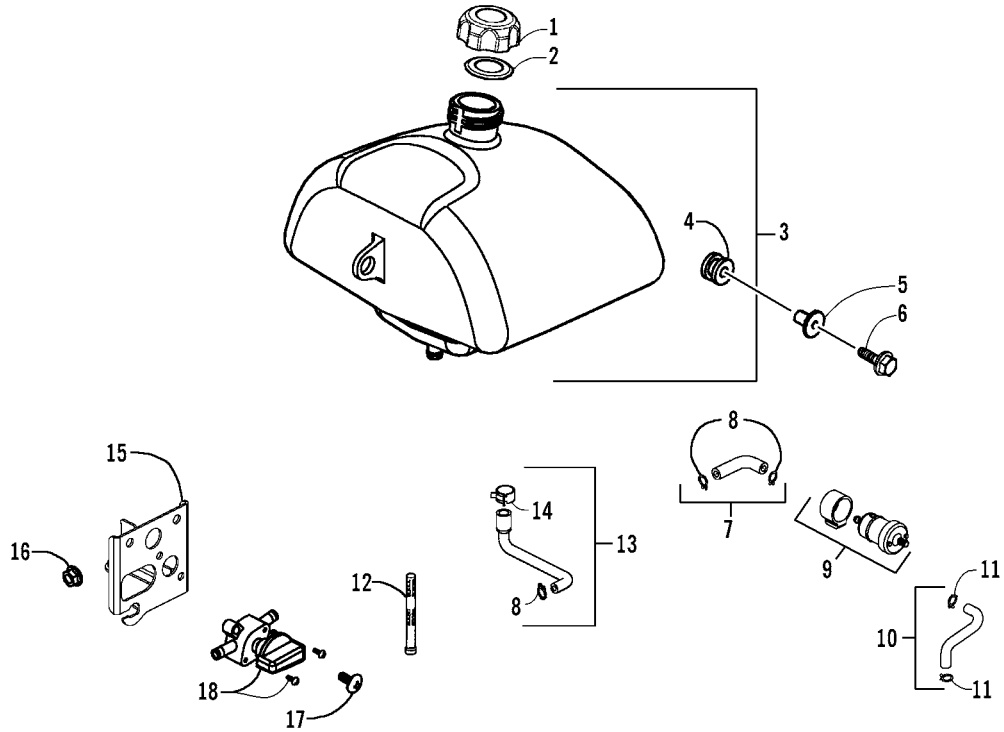
Ref.	Part No.	Qty.	Description	Ref.	Part No.	Qty.	Description
1	3303-131	1	Battery	2	3304-434	1	Band, Battery



SEAT AND TOOL KIT ASSEMBLY

0741-245

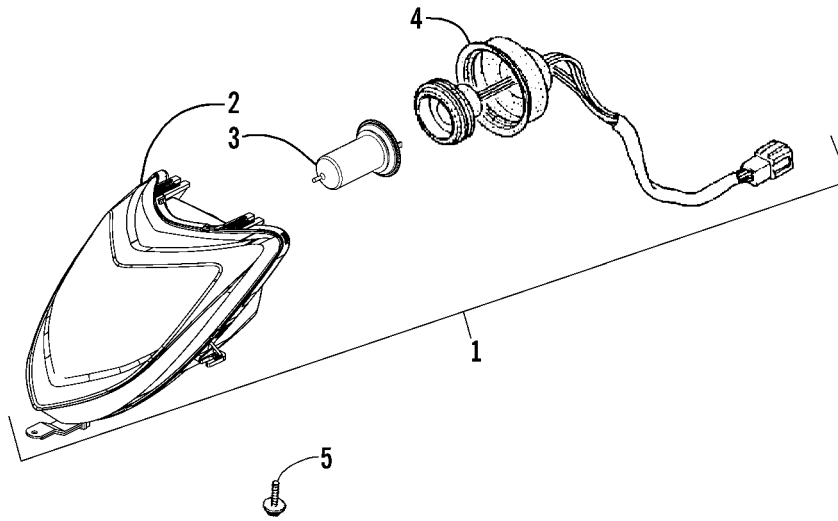
Ref.	Part No.	Qty.	Description	Ref.	Part No.	Qty.	Description
1	3303-578	1	Tool - Kit	4	3304-568	2	● Rubber, Seat Cushion
2	3304-497	1	Seat - Assembly (inc. 3-5)	5	3303-331	2	● Nut, Flange
3	3304-392	1	● Latch, Seat - Assembly	6	3303-242	1	Band, Tool Kit



GAS TANK ASSEMBLY

0741-247

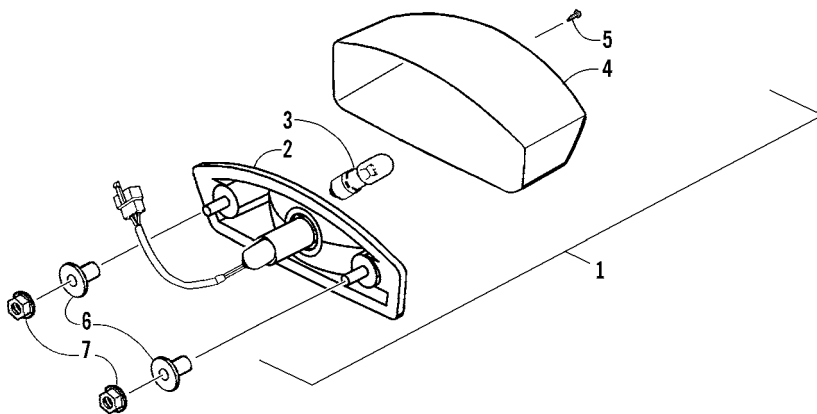
Ref.	Part No.	Qty.	Description	Ref.	Part No.	Qty.	Description
1	3303-067	1	Cap, Gas Tank	11	3303-348	2	● Clip
2	3303-068	1	Seal, Gas Tank Cap	12	3303-058	1	Screen, Fuel Strainer
3	<u>3305-488</u>	1	Gas Tank - Assembly (inc. 4)	13	<u>3305-489</u>	2	Hose, Gas - Assembly (inc. two No. 8 and 14)
4	3303-406	2	● Rubber, Gas Tank	14	<u>3305-523</u>	2	● Clamp, Tube
5	3303-226	2	Collar	15	3305-294	1	Bracket, Shut-Off Valve
6	3303-383	2	Bolt, Flange	16	3303-331	2	Nut, Flange
7	<u>3305-521</u>	1	Hose, Gas - Assembly (inc. two No. 8)	17	3303-316	2	Screw
8	3303-349	4	● Clip	18	3303-057	1	Valve, Shut-Off w/Screws
9	3303-699	1	Strainer, Fuel - Assembly				
10	<u>3305-522</u>	1	Hose, Gas - Assembly (inc. 11)				



HEADLIGHT ASSEMBLY

0740-821

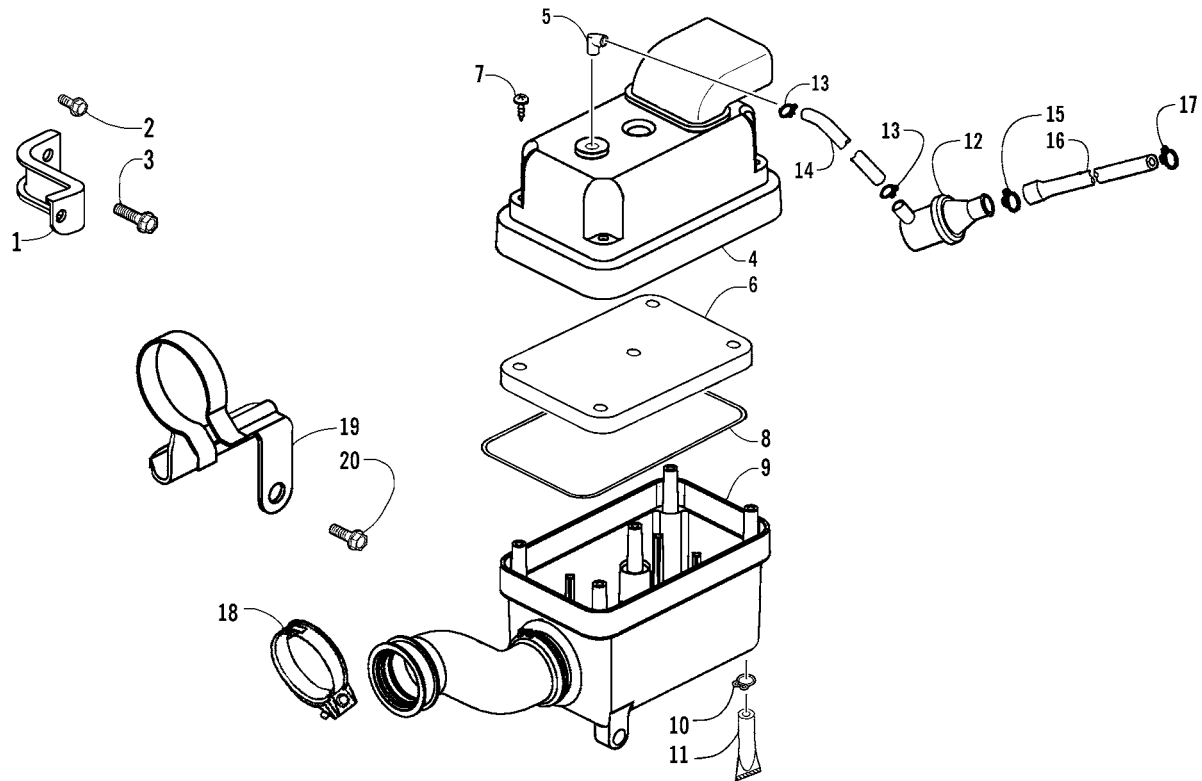
Ref.	Part No.	Qty.	Description	Ref.	Part No.	Qty.	Description
1	3304-280	1	Headlight - Assembly (inc. 2-4)	4	3304-282	1	● Socket Assembly
2	3304-281	1	● Lens, Headlight	5	3304-650	5	● Screw, Self-Tapping
3	3303-846	1	● Bulb, Headlight				



TAILLIGHT ASSEMBLY

0740-625

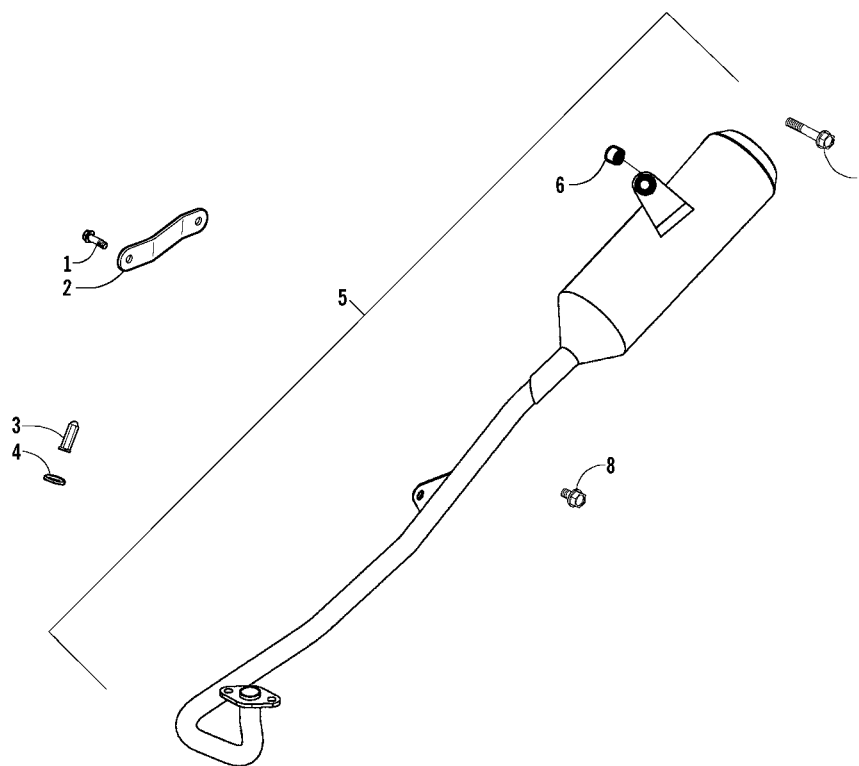
Ref.	Part No.	Qty.	Description	Ref.	Part No.	Qty.	Description
1	3303-420	1	Taillight - Assembly (inc. 2-5)	5	3304-537	2	● Screw
2	3303-422	1	● Base, Taillight	6	3303-226	2	Collar, Front Fender
3	3303-849	1	● Bulb, Taillight	7	3303-331	2	Nut, Flange
4	3304-283	1	● Lens, Taillight				



AIR INTAKE ASSEMBLY

0741-246 *Not a Service Part

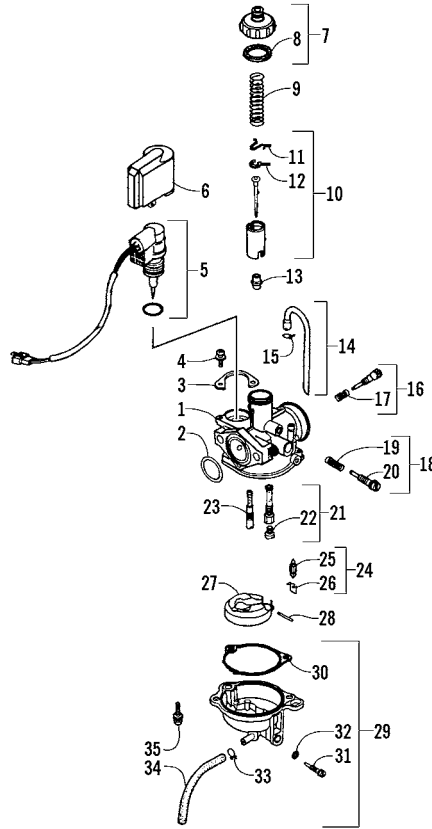
Ref.	Part No.	Qty.	Description	Ref.	Part No.	Qty.	Description
1	3303-005	1	Bracket, Mounting	11	3304-168	1	Tube, Drain
2	3305-458	1	Bolt, Flange	12	3303-064	1	Catch, Air Cleaner Element
3	3303-361	1	Bolt, Flange	13	3303-350	2	Clip
4	3303-062	1	Cover, Air Cleaner (inc. 5)	14	3303-002	1	Tube
5	*	1	● Fitting	15	3303-052	1	Clip, Breather Tube
6	3303-060	1	Element, Air Cleaner	16	3303-001	1	Tube
7	3305-450	5	Screw, Self-Tapping	17	3303-352	1	Clip
8	3303-063	1	Seal, Air Cleaner	18	3303-288	1	Clamp
9	3305-314	1	Case, Air Cleaner	19	3303-287	1	Clamp Assembly - Air Cleaner Tube
10	3305-315	1	Clip	20	3304-551	1	Bolt, Flange



EXHAUST ASSEMBLY

0742-682

Ref.	Part No.	Qty.	Description	Ref.	Part No.	Qty.	Description
1	3304-572	1	Bolt, Flange	5	3303-407	1	Muffler - Assembly (inc. 6)
2	3304-573	1	Bracket, Mounting - Muffler	6	3304-571	1	● Bushing, Rubber
3	3303-261	2	Nut, Cap - 8 mm	7	3303-314	1	Bolt, Flange
4	3303-071	1	Gasket, Exhaust Pipe	8	3304-543	1	Bolt, Flange

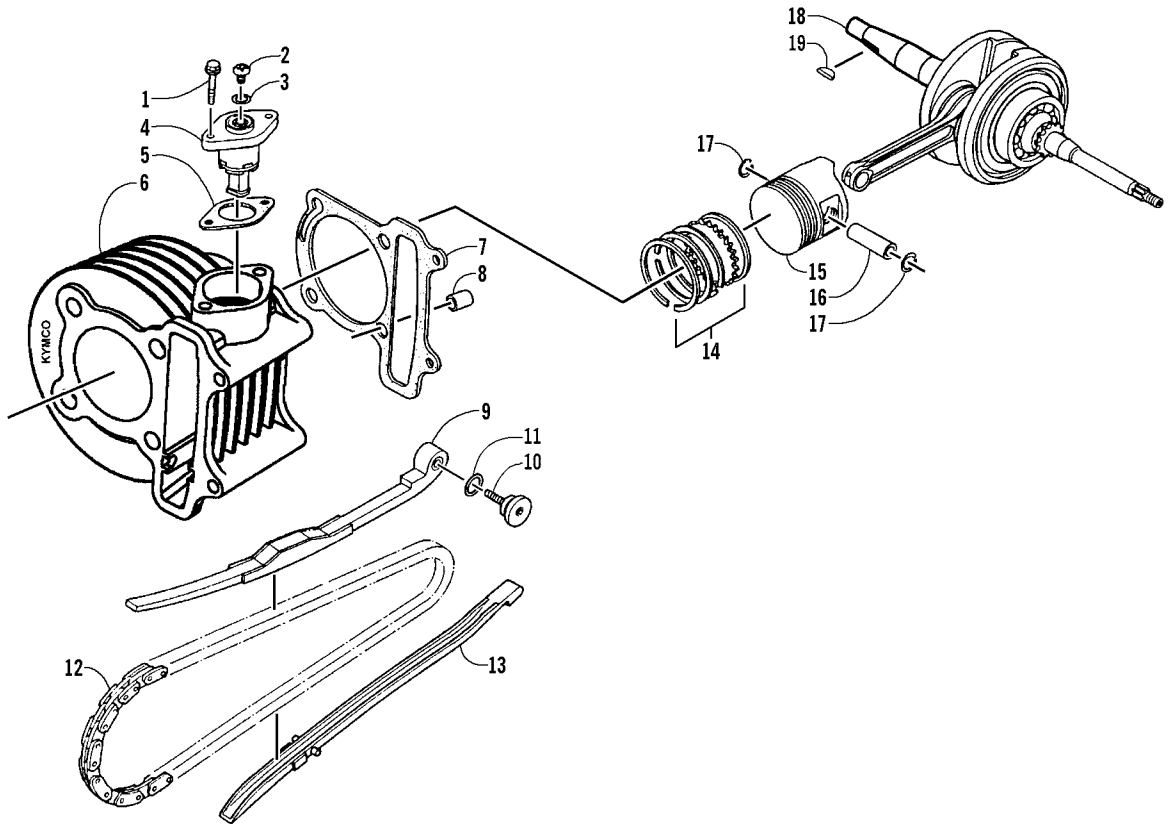


CARBURETOR ASSEMBLY

(Complete Carburetor Assembly p/n 3305-529)

0741-045 *Not a Service Part **Optional

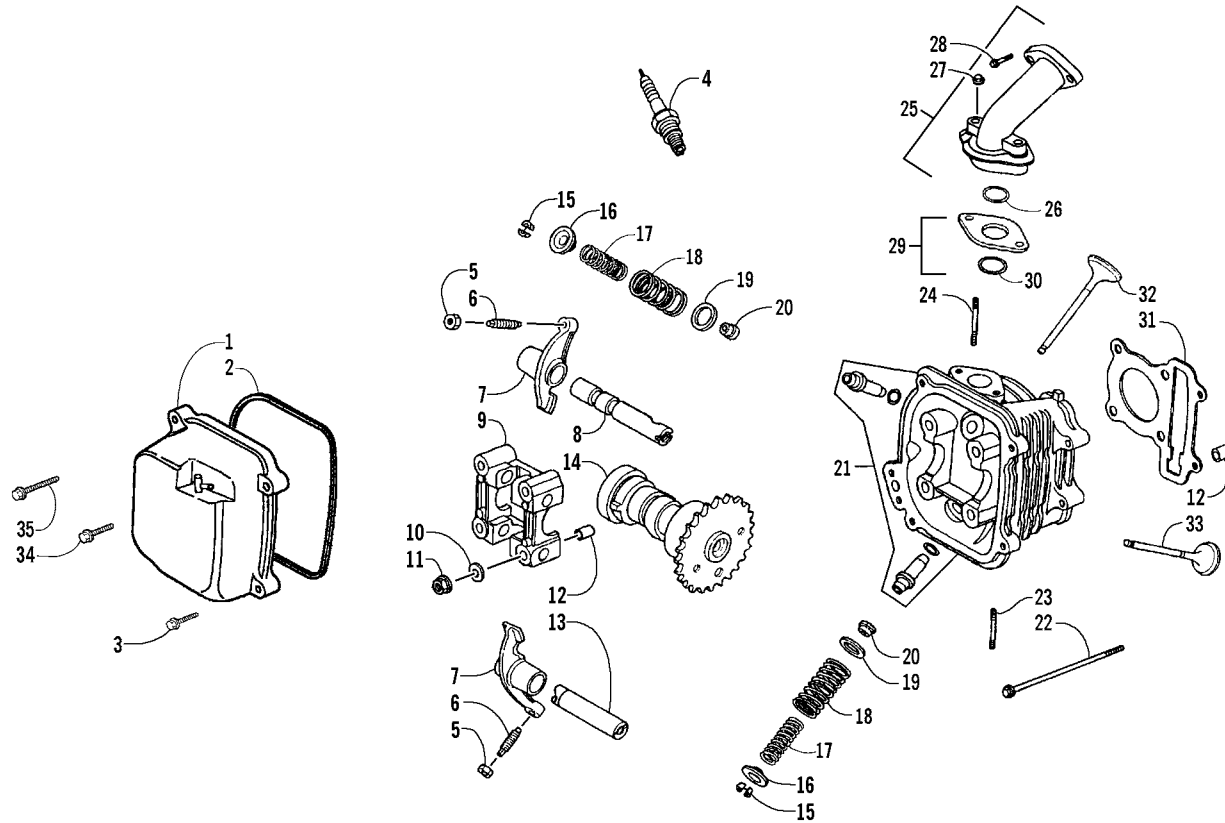
Ref.	Part No.	Qty.	Description	Ref.	Part No.	Qty.	Description
1	*	1	Body, Carburetor	20	3304-478	1	● Screw, Stop
2	3304-488	1	O-Ring	21	3304-479	1	Holder, Needle Jet - Assembly (inc. 22)
3	3304-471	1	Set Plate	22	3304-482	1	● Jet, Main - 80
4	5507-117	2	Screw w/Washer		<u>5507-170</u>	1	● Jet, Main - 75**
5	3304-470	1	Automatic Bypass/Starter Assembly		<u>5507-220</u>	1	● Jet, Main - 78**
6	3304-469	1	Holder, Cap	23	3304-489	1	Jet, Slow
7	3304-462	1	Set, Top (inc. 8)	24	3304-490	1	Valve, Float - Assembly (inc. 25-26)
8	3304-463	1	● Gasket, Top	25	3304-483	1	● Valve, Float - Set
9	3304-464	1	Spring, Compression	26	3304-484	1	● Clip
10	3304-467	1	Valve, Throttle - Assembly (inc. 11-12)	27	3304-491	1	Float Assembly
11	3304-465	1	● Plate, Needle Clip	28	3304-485	1	Pin, Float Arm
12	3304-466	1	● Clip, Needle	29	3304-486	1	Body, Float Chamber - Assembly (inc. 30-34)
13	3304-468	1	Needle Jet	30	*	1	● Gasket
14	3304-472	1	Tube, Rubber - Assembly (inc. 15)	31	3304-243	1	● Screw, Drain
15	3304-474	1	● Clip, Tube	32	3304-239	1	● O-Ring
16	<u>3305-446</u>	1	Screw, Adjustment - Assembly (inc. 17)	33	3304-452	1	● Clip, Tube
17	<u>3305-444</u>	1	● Spring, Compression	34	3305-248	1	● Tube, Drain
18	3304-477	1	Screw, Stop - Assembly (inc. 19-20)	35	3303-320	2	Screw w/Washer
19	3304-232	1	● Spring, Compression				



PISTON ASSEMBLY

0741-249

Ref.	Part No.	Qty.	Description	Ref.	Part No.	Qty.	Description
1	3304-002	2	Bolt, Flange	11	3303-301	1	O-Ring
2	3303-244	1	Screw	12	3303-030	1	Cam Chain
3	3304-100	1	O-Ring	13	3303-037	1	Guide, Cam Chain
4	3303-677	1	Adjuster, Cam Chain	14	3303-024	1	Ring, Piston - Set
5	3303-035	1	Gasket, Cam Chain Adjuster	15	3303-025	1	Piston
6	3303-014	1	Cylinder A	16	3303-026	1	Pin, Piston
7	3303-015	1	Gasket, Cylinder A	17	3303-027	2	Clip, Piston Pin
8	3303-342	2	Pin, Dowel	18	3305-443	1	Crankshaft
9	3303-034	1	Tensioner, Cam Chain	19	3303-290	1	Key
10	3303-036	1	Pivot, Cam Chain Tensioner				



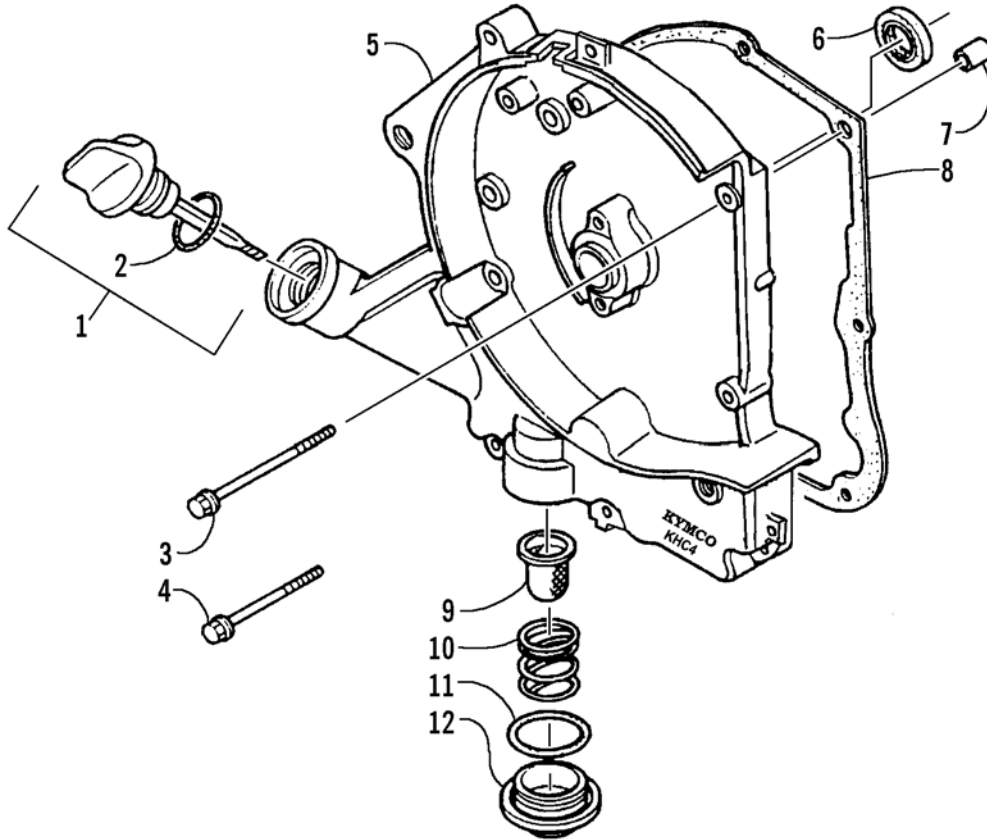
CYLINDER HEAD ASSEMBLY

AC20BC (Complete Engine Assembly p/n 3305-471)*

0741-252

Ref.	Part No.	Qty.	Description	Ref.	Part No.	Qty.	Description
1	3305-292	1	Cover, Head - Assembly	21	3303-016	1	Head, Cylinder
2	3304-616	1	Gasket, Head Cover	22	3303-389	2	Bolt, Flange
3	3303-360	2	Bolt, Flange	23	3304-010	2	Bolt, Stud
4	0217-726	1	Plug, Spark	24	3303-310	2	Bolt, Stud
5	3304-026	2	Nut, Tappet Adjusting	25	3303-059	1	Pipe, Intake - Assembly (inc. 26)
6	3304-007	2	Screw, Tappet Adjusting	26	3303-304	1	● O-Ring
7	3303-031	2	Valve, Rocker Arm	27	3303-331	2	Nut, Flange
8	3303-032	1	Shaft, Rocker Arm - Intake	28	3303-384	2	Bolt, Flange
9	3303-018	1	Holder, Camshaft	29	3303-511	1	Insulator, Carburetor - Assembly (inc. 30)
10	3304-048	4	Washer, Sealing	30	3304-596	1	● O-Ring
11	3303-332	4	Nut, Flange	31	3303-019	1	Gasket, Cylinder Head
12	3303-342	4	Pin, Dowel	32	3303-039	1	Valve, Exhaust
13	3303-033	1	Shaft, Rocker Arm - Exhaust	33	3303-038	1	Valve, Intake
14	3304-617	1	Camshaft	34	3303-362	2	Bolt, Flange
15	3303-044	4	Cotter, Valve	35	3303-363	2	Bolt, Flange
16	3303-042	2	Retainer, Valve Spring				
17	3303-041	2	Spring, Valve - Inner				
18	3303-040	2	Spring, Valve - Outer				
19	3303-043	2	Seat, Valve Spring - Outer				
20	3303-657	2	Seal, Valve Stem				

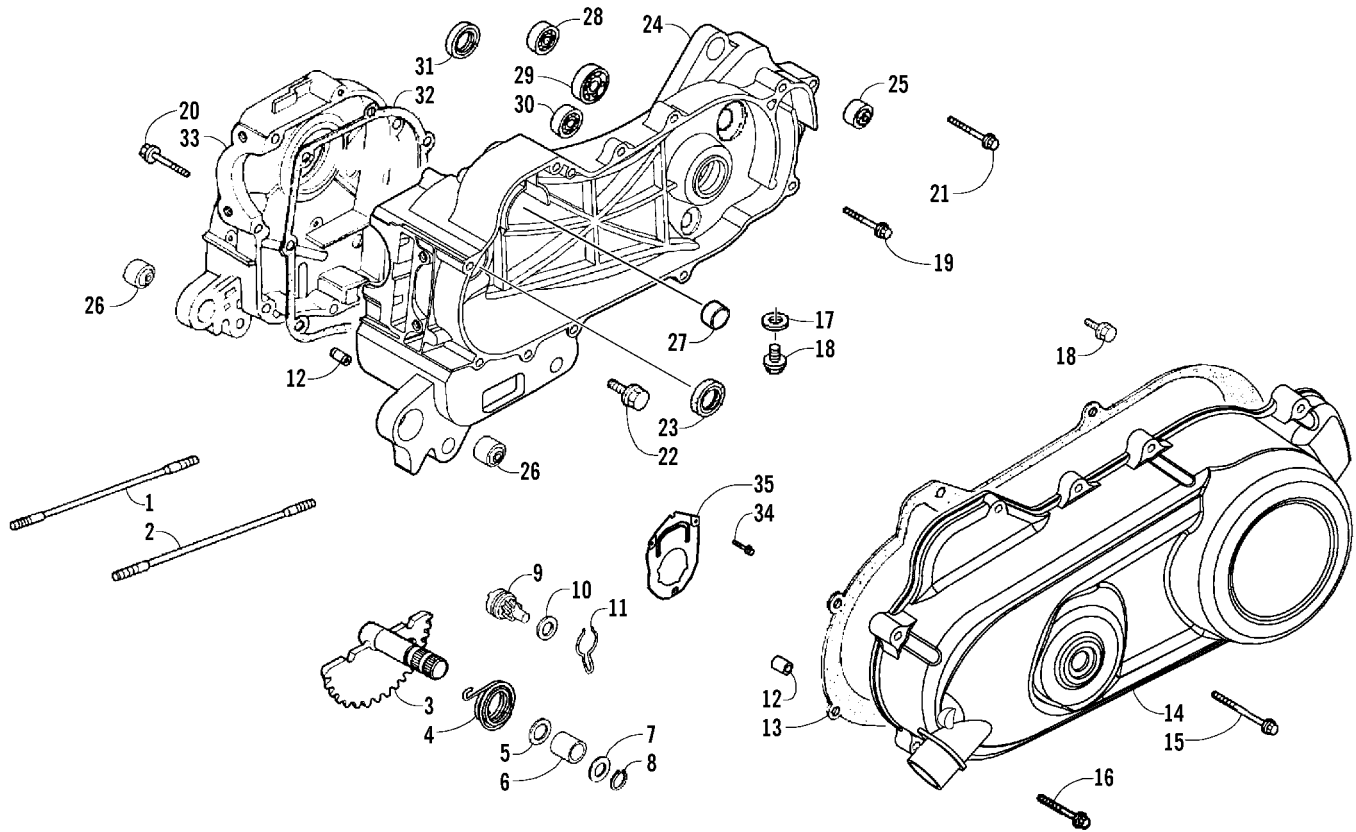
* The Complete Engine Assembly Includes a Starter Motor Assembly and Carburetor.



CRANKCASE COVER ASSEMBLY

0740-498

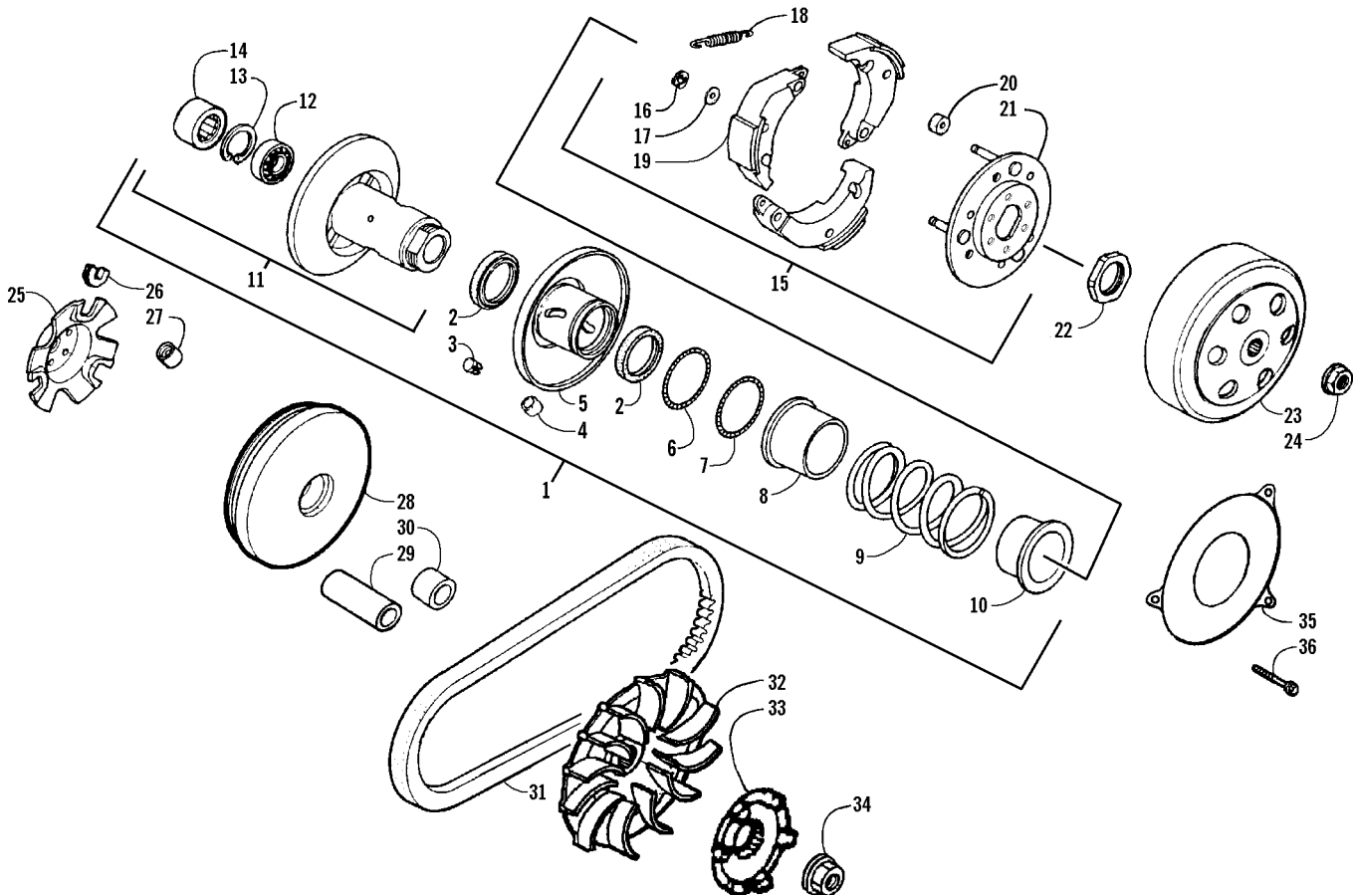
Ref.	Part No.	Qty.	Description	Ref.	Part No.	Qty.	Description
1	3303-050	1	Gauge, Oil Level - Assembly (inc. 2)	7	3303-341	2	Pin, Dowel
2	3304-102	1	● O-Ring	8	3303-012	1	Gasket, Crankcase
3	3303-390	4	Bolt, Flange	9	3303-048	1	Screen, Oil Filter
4	3304-580	4	Bolt, Flange	10	3303-049	1	Spring, Oil Filter Screen
5	3303-007	1	Cover, Crankcase (inc. 6)	11	3304-096	1	O-Ring
6	3303-296	1	● Seal, Oil	12	3303-021	1	Cap, Oil Filter



CRANKCASE ASSEMBLY

0741-253

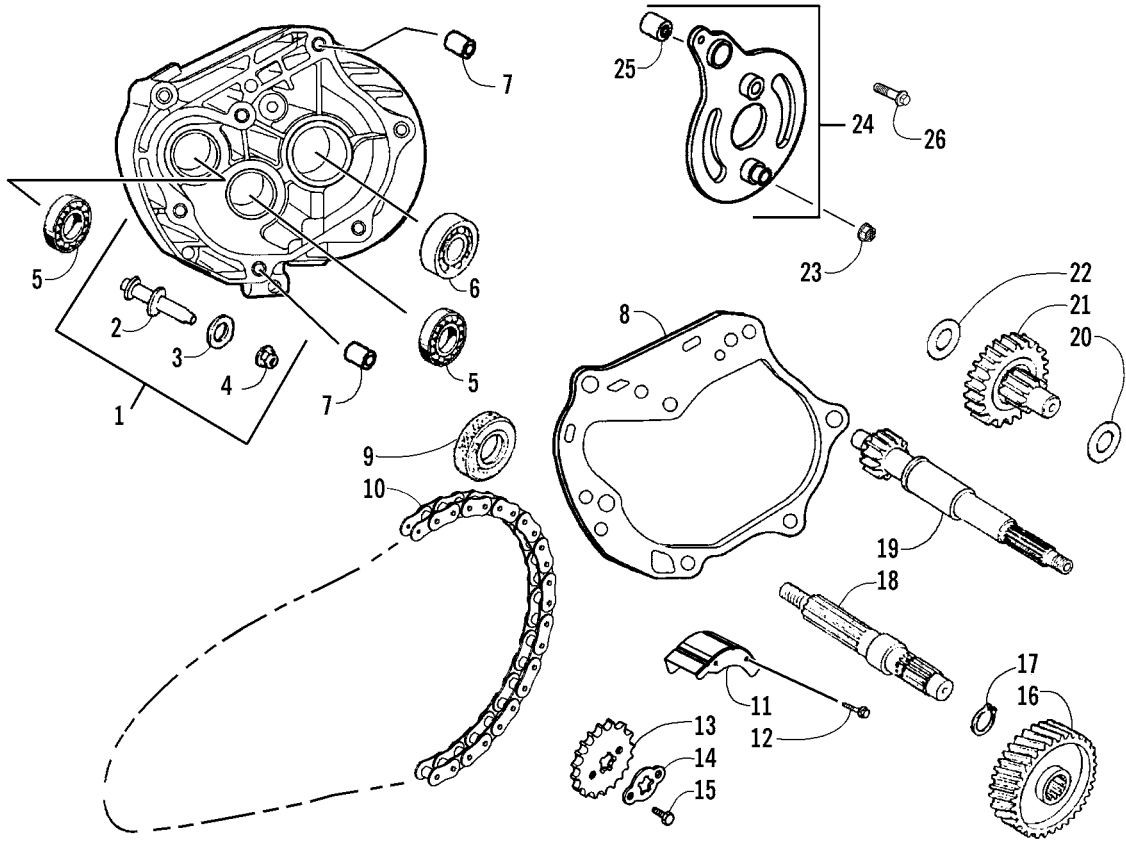
Ref.	Part No.	Qty.	Description	Ref.	Part No.	Qty.	Description
1	3303-247	2	Bolt, Stud	19	3303-372	1	Bolt, Flange
2	3303-248	2	Bolt, Stud	20	3303-387	1	Bolt, Flange
3	3303-119	1	Spindle, Kick Starter	21	3303-370	6	Bolt, Flange
4	3303-122	1	Spring, Return - Kick Starter	22	3304-052	1	Bolt, Drain Plug - Assembly
5	3303-121	1	Collar, Boss - Kick Starter	23	3303-296	1	Seal, Oil
6	3303-120	1	Bushing, Spindle - Kick Starter	24	3303-004	1	Crankcase, Set - Left (inc. 25, one No. 26, and 27)
7	3303-276	1	Washer, Spindle - Kick Starter	25	3303-403	2	● Bushing, Rubber - Rear Cushion
8	3303-345	1	Circlip	26	3303-402	2	● Bushing, Rubber - Engine Hanger
9	3303-118	1	Gear, Driven - Kick Starter	27	3304-597	1	● Bushing
10	3303-272	1	Washer, Thrust	28	3303-464	1	Bearing, Ball
11	3303-117	1	Spring, Driven - Kick Starter	29	3303-459	1	Bearing, Needle
12	3303-341	4	Pin, Dowel	30	3303-465	1	Bearing, Ball
13	3303-013	1	Gasket, Crankcase Cover - Left	31	3303-297	1	Seal, Oil
14	3304-615	1	Cover, Crankcase - Left	32	3303-003	1	Gasket, Crankcase - Right
15	3303-386	7	Bolt, Flange	33	3303-400	1	Crankcase, Set - Right (inc. one No. 26)
16	3303-385	1	Bolt, Flange	34	3303-391	3	Bolt
17	3303-278	1	Washer	35	3303-009	1	Plate, Cover
18	3303-365	2	Bolt, Flange				



CLUTCH ASSEMBLIES

0741-256

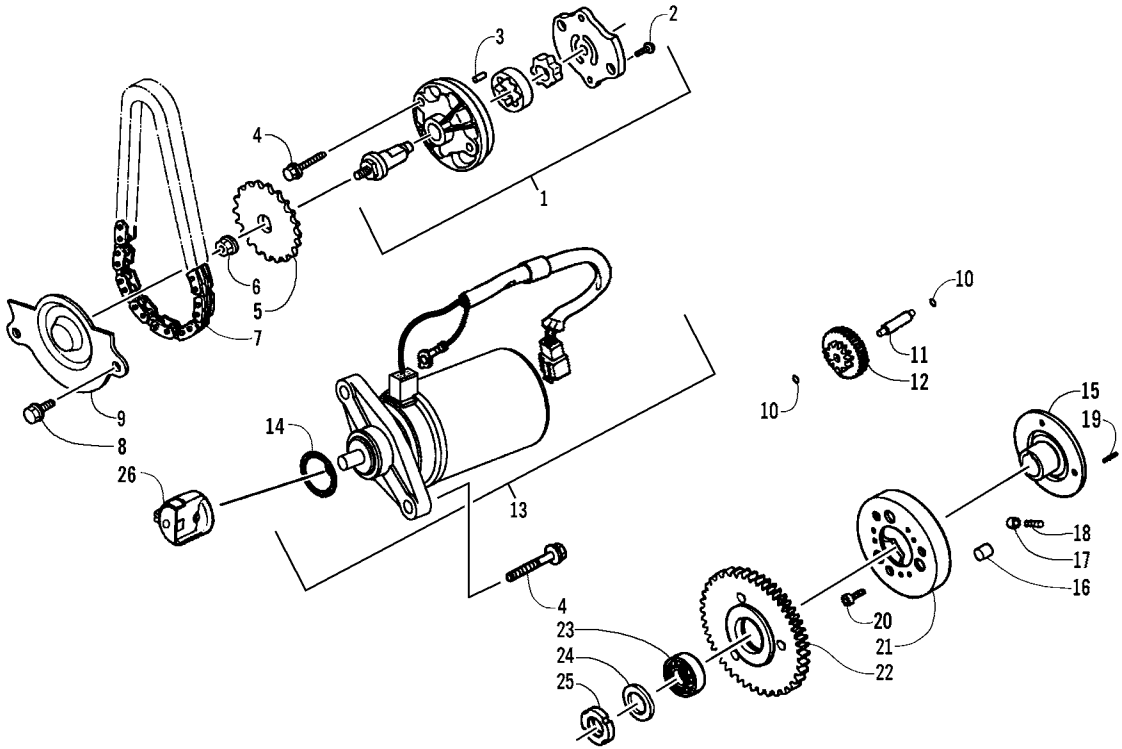
Ref.	Part No.	Qty.	Description	Ref.	Part No.	Qty.	Description
1	3303-411	1	Pulley, Driven - Assembly (inc. 2-22)	18	3303-092	3	● ● Spring, Clutch
2	3303-299	2	● Seal, Oil	19	3303-093	3	● ● Weight, Clutch
3	3303-098	3	● Guide, Pin	20	3303-094	3	● ● Rubber, Clutch Damper
4	3303-099	3	● Guide, Roller	21	3303-091	1	● ● Plate, Drive Clutch
5	3303-097	1	● Face, Driven - Movable	22	3304-025	1	● Nut
6	3304-620	1	● O-Ring	23	3303-082	1	Clutch, Outer
7	3304-619	1	● O-Ring	24	3303-333	1	Nut, Flange
8	3303-102	1	● Collar, Spring	25	3303-088	1	Plate, Ramp
9	3303-100	1	● Spring, Driven Face	26	3303-089	3	Slide
10	3303-101	1	● Collar, Seal	27	3303-087	6	Guide, Roller
11	3303-096	1	● Face, Driven - Fixed - Assembly (inc. 12-14)	28	3303-086	1	Face, Drive - Movable
12	3303-291	1	● ● Bearing, Ball	29	3303-409	1	Boss, Drive Face
13	3303-346	1	● ● Circlip	30	3303-410	1	Collar, Drive Face
14	3303-294	1	● ● Bearing, Needle	31	3303-095	1	Belt, Drive
15	3303-090	1	● Clutch, Centrifugal - Assembly (inc. 16-21)	32	3303-083	1	Face, Drive
16	3304-618	3	● ● E-Ring	33	3303-116	1	Ratchet, Kick Starter
17	3303-274	3	● ● Washer, Thrust	34	3303-334	1	Nut, Flange
				35	3304-460	1	Plate, Dust
				36	3303-381	3	Bolt, Flange



TRANSMISSION ASSEMBLY

0741-240

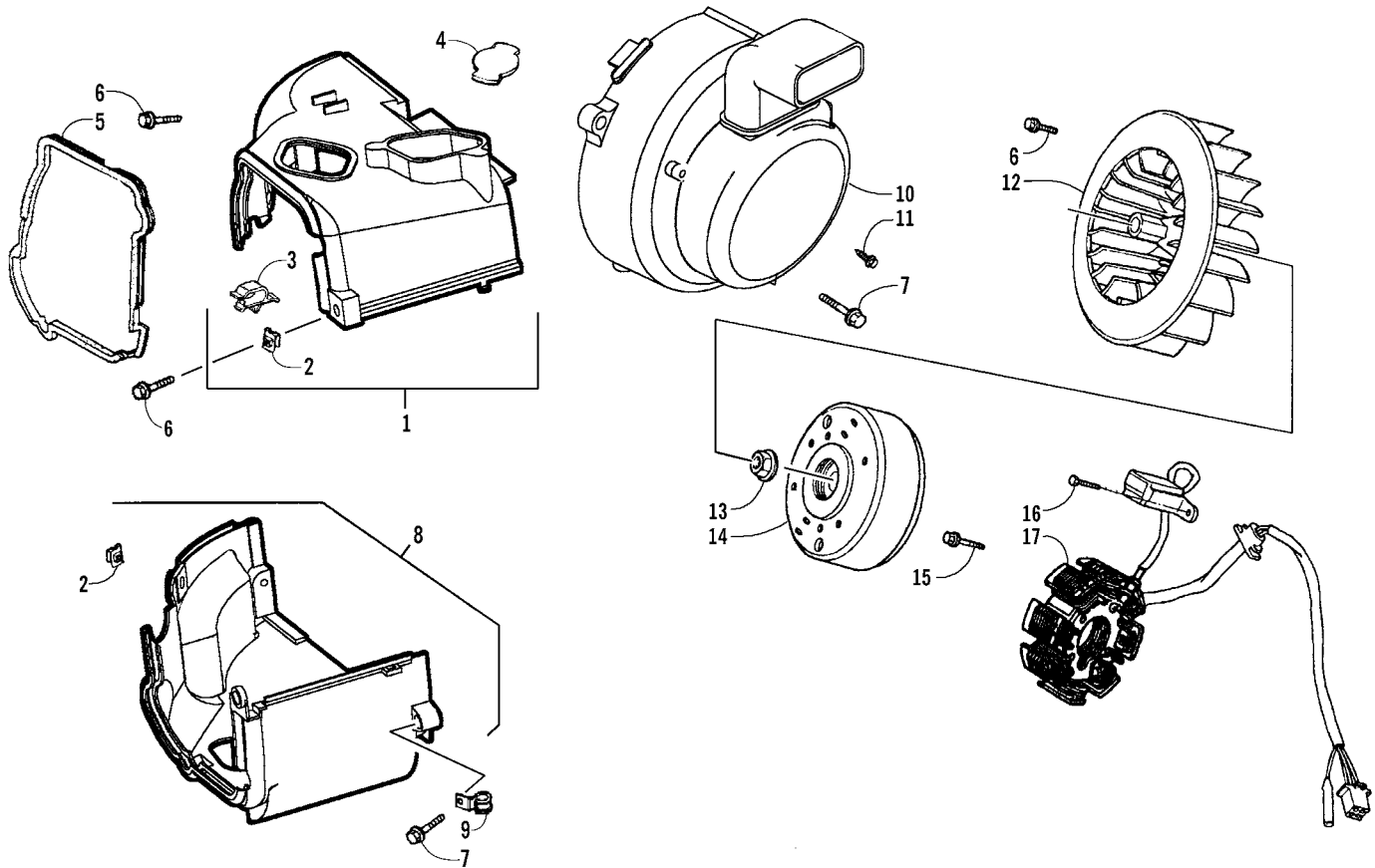
Ref.	Part No.	Qty.	Description	Ref.	Part No.	Qty.	Description
1	3303-080	1	Case, Transmission - Set (inc. 2-6)	15	3303-307	2	Bolt
2	3304-606	1	● Bolt, Engine Brake	16	3303-106	1	Gear, Final
3	3303-462	1	● O-Ring	17	3303-344	1	Circlip
4	3303-270	1	● Nut, Flange	18	3303-105	1	Shaft, Final
5	3303-596	2	● Bearing, Ball	19	3303-103	1	Driveshaft
6	3303-598	1	● Bearing, Ball	20	3305-043	1	Washer
7	3303-343	2	Pin, Dowel	21	3303-104	1	Countershaft - Assembly
8	3303-081	1	Gasket, Transmission Case A	22	3303-273	1	Washer
9	3303-300	1	Seal, Oil	23	3303-268	2	Nut, Flange
10	3303-425	1	Chain, Drive	24	3303-185	1	Bracket, Engine Hanger - Assembly (inc. 25)
11	3303-144	1	Cover, Chain	25	3303-403	1	● Bushing, Rubber
12	3304-610	2	Bolt, Flange	26	3304-607	1	Bolt, Flange
13	3303-107	1	Sprocket, Drive				
14	3303-108	1	Plate				



STARTER MOTOR AND OIL PUMP ASSEMBLIES

0741-255

Ref.	Part No.	Qty.	Description	Ref.	Part No.	Qty.	Description
1	3303-045	1	Pump, Oil - Assembly (inc. 2-3)	14	3303-604	1	O-Ring
2	3304-426	1	● Screw, Pan-Head	15	3303-115	1	Boss, Starter Clutch
3	3304-144	1	● Pin, Dowel	16	3303-293	3	Roller
4	3303-384	4	Bolt, Flange	17	3303-114	3	Roller, Starter
5	3303-046	1	Sprocket	18	3303-113	3	Spring, Roller - Outer Clutch
6	3303-331	1	Nut, Flange	19	3303-395	1	Roller
7	3303-047	1	Chain, Oil Pump	20	3303-396	3	Bolt
8	3303-381	2	Bolt, Flange	21	3303-112	1	Clutch, Outer
9	3303-051	1	Separator, Oil	22	3303-111	1	Gear, Starter
10	3303-282	2	Washer	23	3303-292	1	Bearing, Ball
11	3303-110	1	Shaft, Starter Reduction	24	3303-285	1	Circlip
12	3303-109	1	Gear, Starter Reduction	25	3303-258	1	Nut
13	3304-639	1	Motor, Starter - Assembly	26	3303-130	1	Holder, Starter



STATOR, FLYWHEEL, AND ENGINE SHROUD ASSEMBLIES

0741-257

Ref.	Part No.	Qty.	Description	Ref.	Part No.	Qty.	Description
1	3303-079	1	Shroud B - Assembly (inc. one No. 2 and 3-4)	11	3304-585	2	Screw, Self-Tapping
2	3303-267	2	● Nut, Clip	12	3303-075	1	Fan, Cooling
3	3303-640	1	● Clip, Vacuum Tube	13	3303-333	1	Nut, Flange
4	3303-408	1	● Grommet, Shroud	14	3303-127	1	Flywheel (A) - D402
5	3303-077	1	Seal, Shroud		3303-414	1	Flywheel (B) - D406
6	3303-382	6	Bolt, Flange		3303-415	1	Flywheel (C) - D414
7	3303-384	3	Bolt, Flange	15	3303-383	2	Bolt, Flange
8	3303-078	1	Shroud A - Assembly (inc. one No. 2)	16	3303-308	2	Bolt
9	3304-640	1	Clamp, Carburetor Drain Tube	17	3304-641	1	Stator - Assembly (O) - D402
10	3303-076	1	Cover, Fan - Assembly		3305-254	1	Stator - Assembly (A) - D406
					3305-256	1	Stator - Assembly (B) - D414

